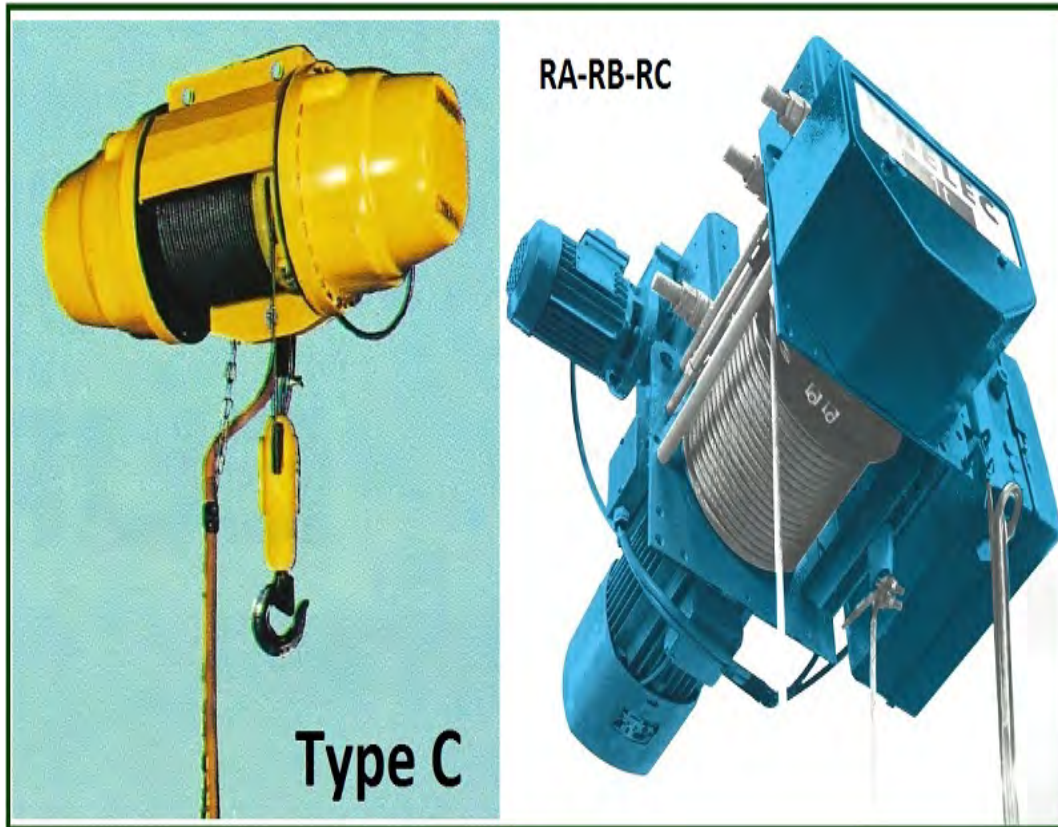


SPARE PARTS FOR C-RA-RB-RC

To avoid errors when ordering please specify:

- Complete type of hoist
- Date of manufacture and serial number
- Spare part code
- Spare part designation
- Additional information



0) HOIST DESCRIPTION

1) MOTOR / GEARBOX

- 1.1) Eurobloc C
- 1.2) RA-RB-RC

2) COVER / SWL PLATE

- 2.1) EUROBLOC C
- 2.2) RA - RB - RC

3) HOIST GEARBOX

- 3.1) EUROBLOC C
- 3.2) RA - RB - RC

4) HOIST BRAKE

- 4.1) Manual brake for Eurobloc C only
- 4.2) Automatic brake for Eurobloc C only
- 4.3) Fast brake for RA - RB - RC only
- 4.4) M type brake for RA - RB - RC only

- 4.5) Hoist FCO brake for RA - RB - RC only
- 5) ROPE DRUM / COUPLING / ROPE**
 - 5.1) Pre-cut rope
- 6) OVERLOAD LIMITER/ CROSSHEAD LIMITER AND FIXED POINT**
- 7) RETURN**
- 8) FRAME HPN AND HPR**
- 9) ROPE GUIDE / LIMIT SWITCH**
 - 9.1) EUROBLOC C
 - 9.2) RA - RB - RC
- 10) HOOK BLOCK 1/1**
- 11) HOOK BLOCK 2/1 - 1000KG FOR EUROBLOC AND RC**
- 12) HOOK BLOCK 2/1 - 1600KG FOR EUROBLOC C AND RC**
- 13) HOOK BLOCK 4/1 - 2000KG FOR EUROBLOC C AND RC**
- 14) HOOK BLOCK 4/1 3200KG FOR EUROBLOC C ET RC**
- 15) OLD GENERATION MOTOR GEAR**
 - 15.1) DC 1
 - 15.2) DC 2
 - 15.3) DC 3
 - 15.4) DC 4
- 16) NEW GENERATION MOTORGear**
- 17) ELECTRIC TRAVEL AND CHAIN TRAVEL**
- 18) TROLLEY 1/77 AND 1/93**
 - 18.1) Trolley 1/77 - Former models
 - 18.2) Trolley 1/93 - New models
- 19) WHEELS 1/77 AND 1/93**
 - 19.1) Wheels 1/77
 - 19.2) Wheels 1/93
- 20) 1/77 AND 1/93 TROLLEY SETTING TABLE**
- 21) SWIVELLING TROLLEY**
- 22) DOUBLE GIRDER TROLLEY**
 - 22.1) Wheel - \varnothing 200
 - 22.2) Wheel - \varnothing 160
- 23) BISSEL TROLLEY (HPR72) FOR C TYPE ONLY**
- 24) NA TROLLEY FOR C TYPE ONLY**
- 25) ELECTRICAL EQUIPMENT**
 - 25.1) EUROBLOC
 - 25.2) RA - RB - RC

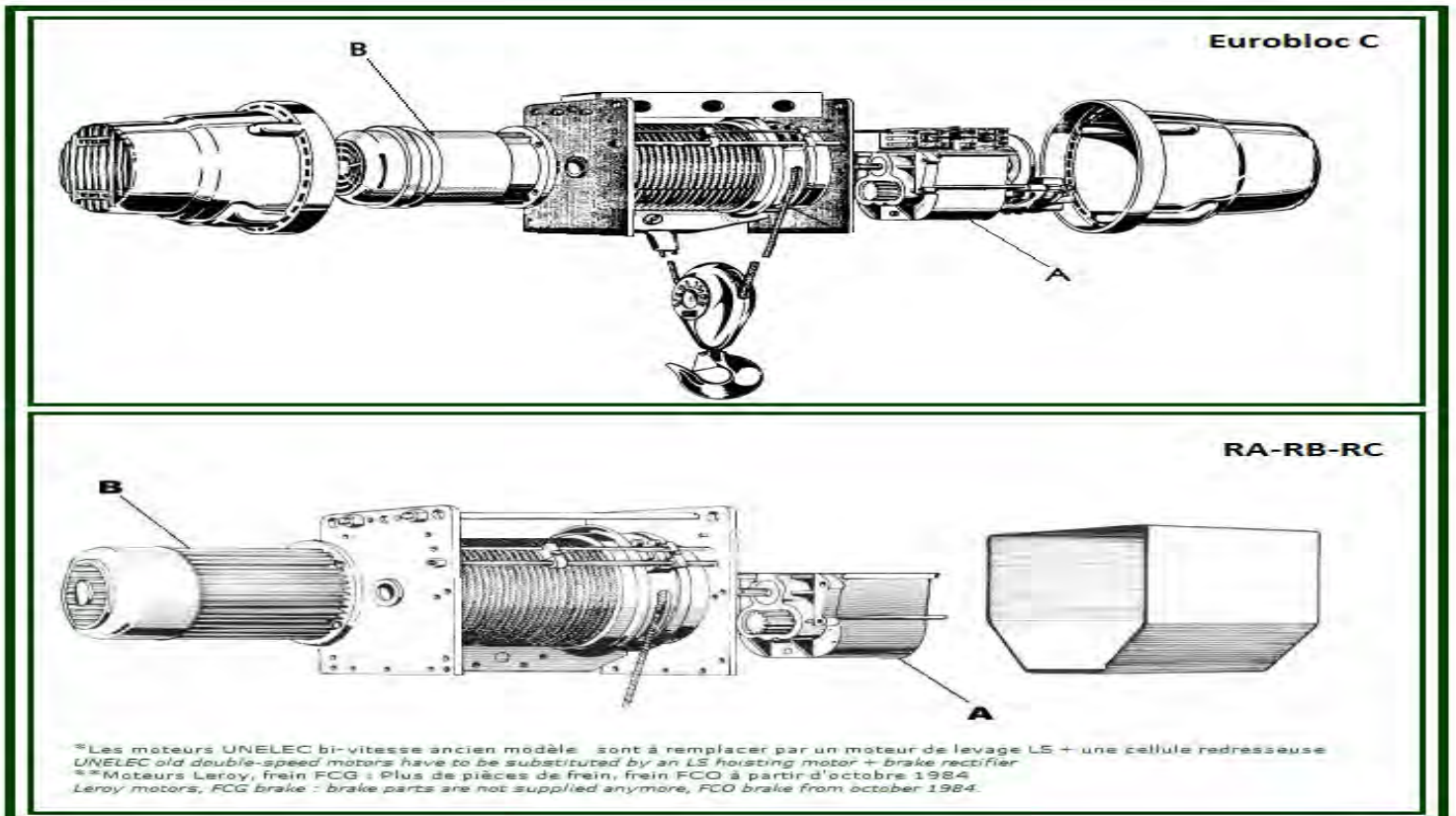
0) HOIST DESCRIPTION

Moteurs	Reperes	Vitesse de levée en m/min - Cases encadrées appareils mouflés												
		C5	C2	C8	C4	C10	C5	C12	C16	C8	C20	C25	C32	
1 vitesse 1,2 Kw 1500 t/min	A	71	13	26										
		151				6,5	13				3,25			
1 vitesse 1,8 Kw 1500 t/min	C	51	19,5	39										
		71			13	26								
		101					9,5	19,2				4,8		
		151								6,5	13			3,25
1 vitesse 2,2 Kw 1500 t/min	E	101								9,6				4,8
		121								8	16			4
2 vitesses 1,2-0,3 Kw 3000/750 t/min	B	72	13/3,25	26/6,5										
		152					6,5/1,6	13/3,2				3,25/0,8		
2 vitesses 1,8-0,5 Kw 3000/750 t/min	D	52	17,3/4,3	34,7/8,6										
		72			13/3,2	26/6,5								
		102					9,6/2,4	19,2/4,9				4,8/1,2		
		152								6,5/1,6	13/3,2			3,25/0,8
2 vitesses 2,2-0,55 Kw 3000/750 t/min	F	102								9,6/2,4				4,8/1,2
		122								8/2	16/4			4/1

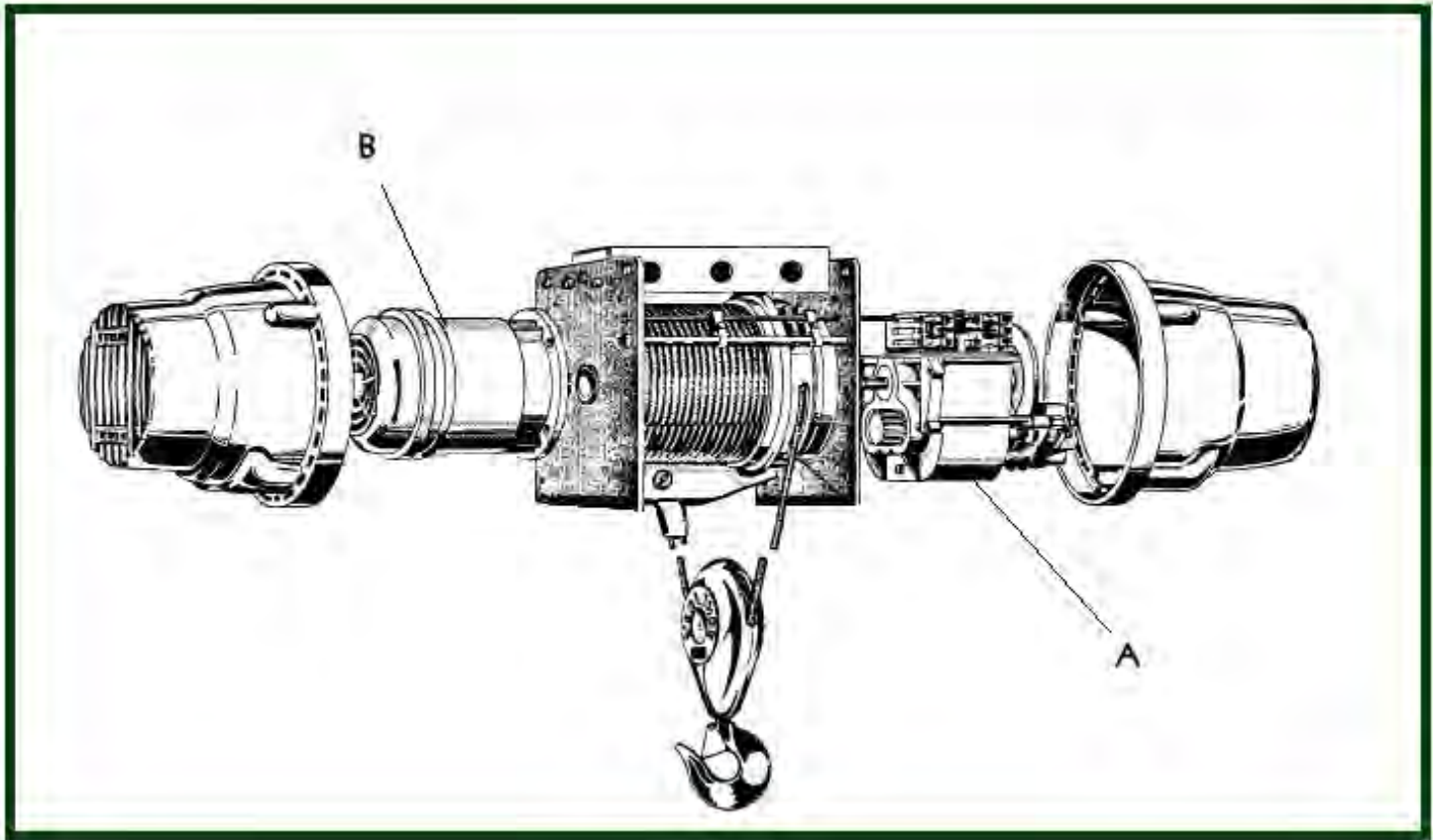
Mouflés	2/1	4/1	Suspendu				S				Pose				P								
			N								L								SL				
Dispositif	HPN	HPR	HPN	HPR	HPN	HPR	HPN	HPR	HPN	HPR	HPN	HPR	HPN	HPR	HPN	HPR	HPN	HPR	HPN	HPR	HPN	HPR	
Capacité de charge kg	500-800-1000 1250		1600		2000-2500		500-800-1000 1250		1600		2000-2500		3200		500-800-1000 1250		1600		2000 2500		3200		
Nature du câble	P		P		P		A		A		P		P		A		A		P		P		
∅ câble mm	∅ 6,5		∅ 8,5		∅ 6,5		∅ 6,5		∅ 8,5		∅ 6,5		∅ 8,5		∅ 6,5		∅ 8,5		∅ 6,5		∅ 8,5		
Long câble standard m	23,5	21,5	17	15	24,75	23,5	37	35	26,9	24,9	38	36	28	26,2	50	48	36,4	34,4	49	36,7			
Hauteur de levée m	9,5	9	7	6	4,7	4,5	16	15	11,5	10,5	8	7,5	5,75	5,25	23	22,5	18,5	15,5	11,25	7,75			

Brin direct	1/1	2/2	Suspendu				S				Pose				Ap murale				Sortie câble N																			
			N								L								SL																			
Nombre de brins			1/1																2/2																			
Force kg			250-400-500				800				250-400-500				800				250-400-500-800																			
Nature du câble			A				A				A				A				P																			
∅ du câble mm			∅ 6,5				∅ 8,5				∅ 6,5				∅ 8,5				∅ 6,5																			
Long câble sur tambour m			22,5				16				36				25,9				49				35,4				2+				2+				2+			
Long câble dévidée utile m			19				14				32				29				46				33				2 × 5,7				2 × 12,5				2 × 19			

1) MOTOR / GEARBOX



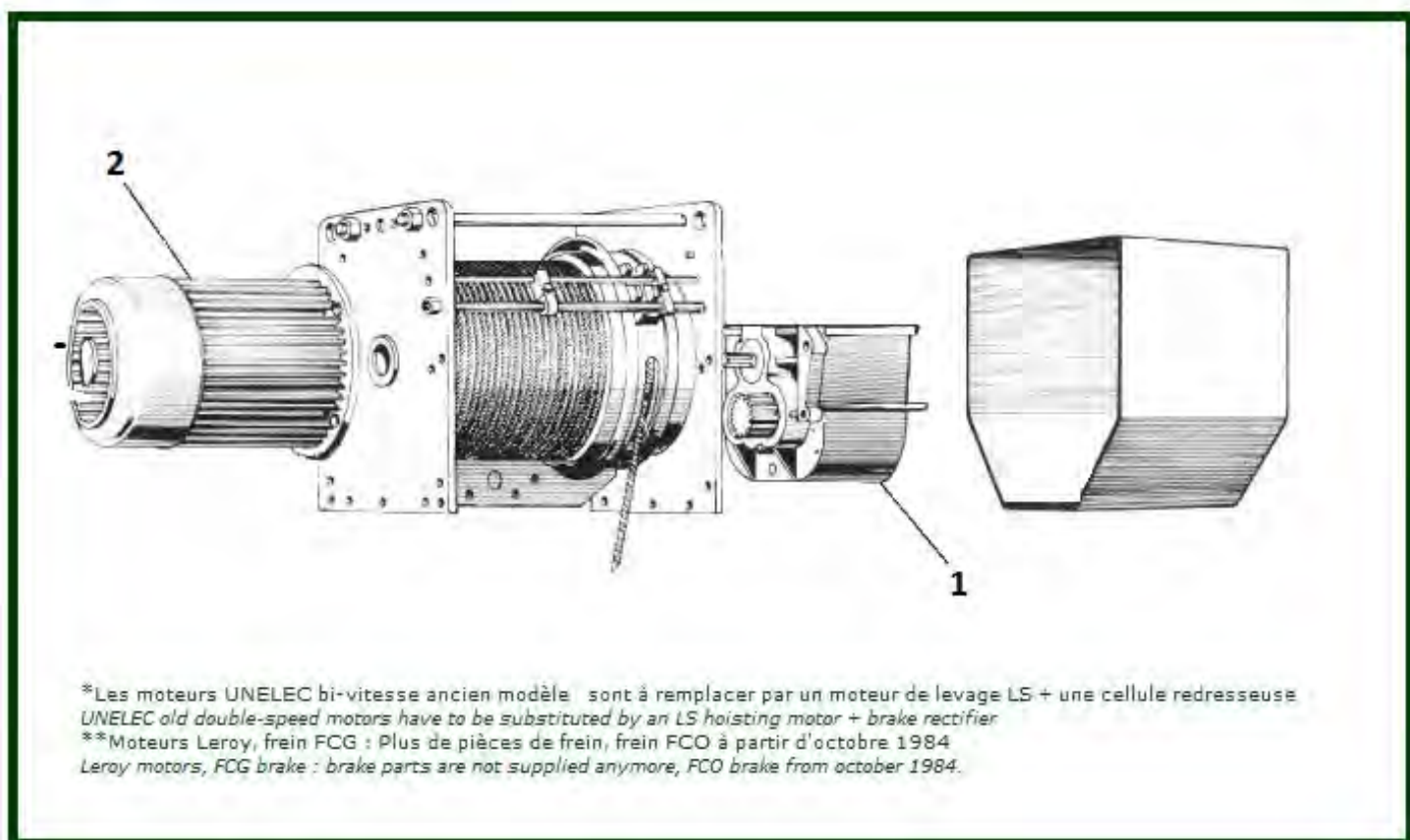
1.1) EUROBLOC C



ITEM	REFERENCE	DESCRIPTION
A	3234010D	Hoisting gearbox 51 + disc, Type C
A	3234014H	Hoisting gearbox 52 + disc, Type C
A	3234011E	Hoisting gearbox 71 + disc, Type C
A	3234015J	Hoisting gearbox 72 + disc, Type C
A	3234012F	Hoisting gearbox 101 + disc, Type C
A	3234016K	Hoisting gearbox 102 + disc, Type C
A	3234018N	Hoisting gearbox 121 + disc, Eurobloc C
A	3234019P	Hoisting gearbox 122 + disc, Eurobloc C
A	3234013G	Hoisting gearbox 151 + disc, Type C
A	3234017L	Hoisting gearbox 152 + disc, Type C
B	7342265Y	Hoisting motor HFUB90S4, 1,2 Kw 220/380V50Hz 1500 t/mn
B	7343755T	Hoisting motor HFUB90L4, 1,8 Kw 240/415V 50 Hz 1500 t/mn
B	7342260T	Hoisting motor LS80L3, 1,2 Kw 220/380V 50Hz 1500 t/mn
B	7343230X	Hoisting motor LS90L2DP, 2,2 Kw 220/380V 50Hz 1500 t/mn
B	7343730R	Hoisting motor LS90L2DP, 2,2 Kw 240/415V 50 Hz 1500 t/mn
B	7343430Q	Hoisting motor LS90L3, 1,2/0,3 Kw 220 V 50Hz

B	7343925C	Hoisting motor LS90L3DP, 1,2/0,3 Kw 240/415V 3000/750 t/mn
B	7343470H	Hoisting motor LS90L3DP, 1,8/0,5 Kw 220V 50 Hz 3000/750 t/mn
B	7343460X	Hoisting motor LS90L3DP, 1,8/0,5 Kw 380V 50 Hz 3000/750 t/mn
B	7343250U	Hoisting motor LS90L3DP, 1,8 Kw 220/380V 50Hz 1500 t/mn
B	7343420D	Hoisting motor LS90S1DP, 1,2/0,3 Kw 380V 50 Hz 3000/750 t/mn
B	7344440N	Hoisting motor LS100L2DP, 2,2/0,55 Kw 220V50Hz 3000/750 t/mn
B	7344430B	Hoisting motor LS100L2DP, 2,2/0,55 Kw 380V 50Hz 3000/750 t/mn
B	7344930V	Hoisting motor LS100L2DP, 2,2/0,55 Kw 415V 50Hz 3000/750 t/mn

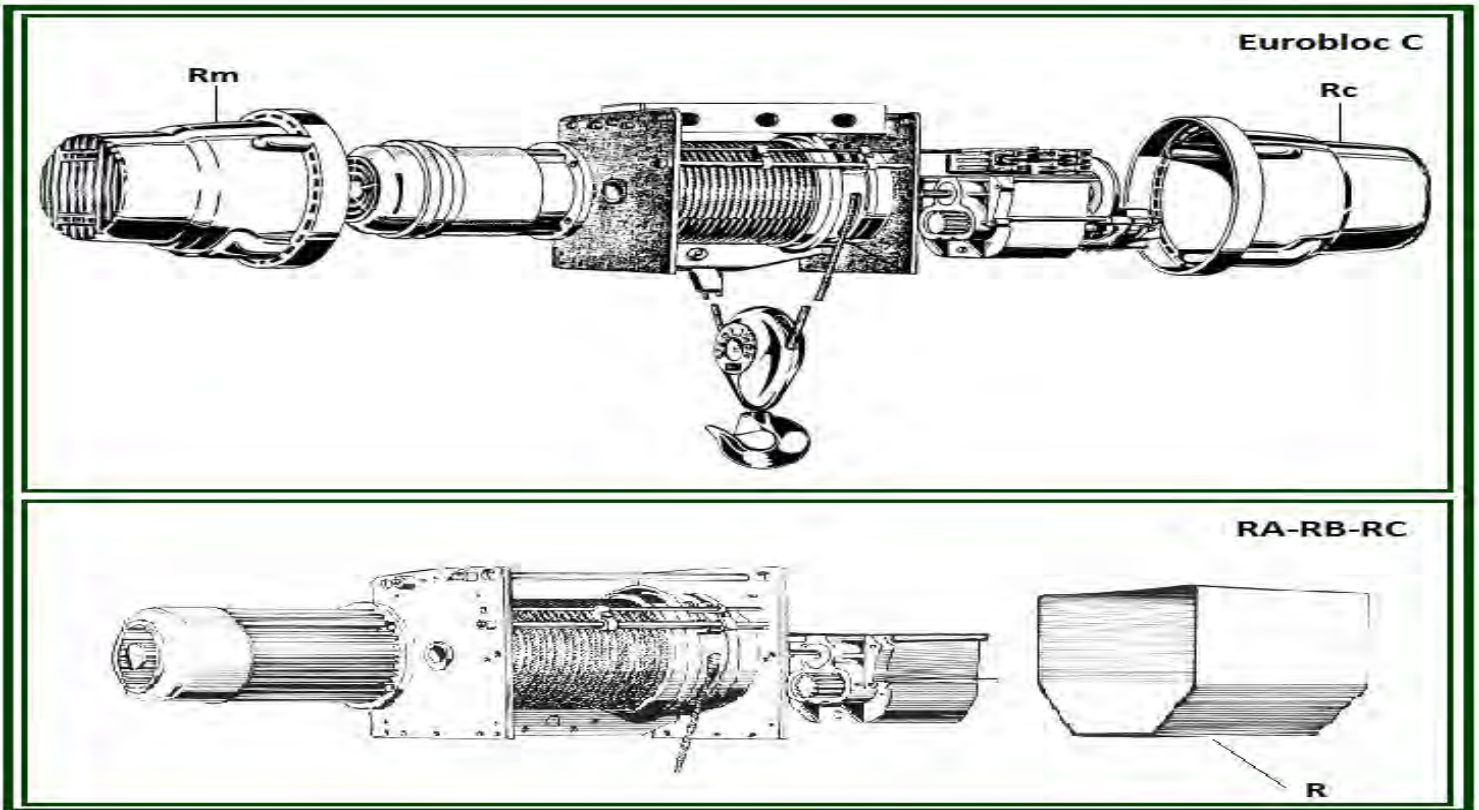
1.2) RA-RB-RC



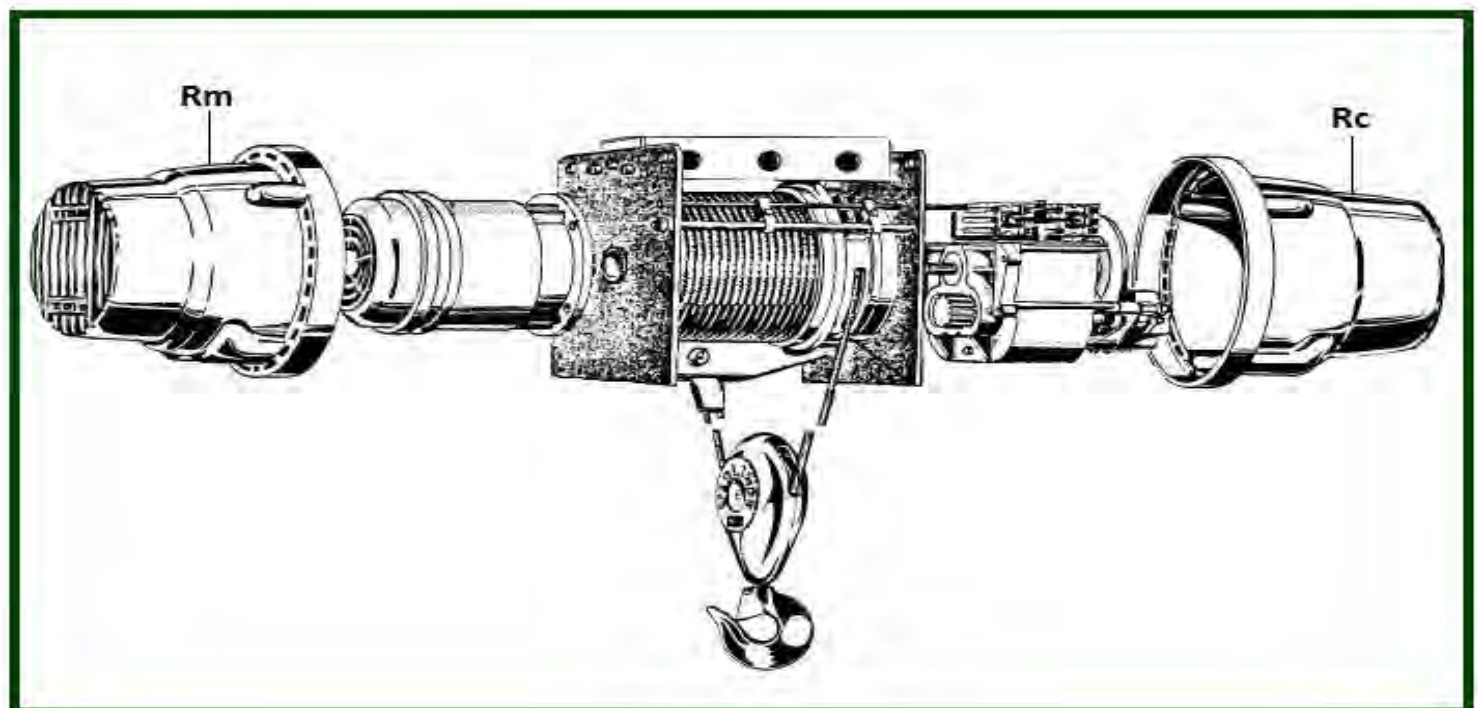
ITEM	REFERENCE	DESCRIPTION
1	3134010H	Hoisting gearbox 51, RA RB RC + tirlift without disc
1	3134014N	Hoisting gearbox 52, RA RB RC + tirlift without disc
1	3134011J	Hoisting gearbox 71, RA RB RC + tirlift without disc
1	3134015P	Hoisting gearbox 72, RA RB RC + tirlift without disc
1	3134012K	Hoisting gearbox 101, RA RB RC + tirlift without disc
1	3134016Q	Hoisting gearbox 102, RA RB RC + tirlift without disc
1	3134013L	Hoisting gearbox 151, RA RB RC + tirlift without disc

1	3134017R	Hoisting gearbox 152, RA RB RC + tirlift without disc
2	7343251V	Hoisting motor, LS90LL Fast 1,8 kw 1500 t/min, 1 sp. 750 kg 230/380/415V - 50 Hz, Replaces all the mono range speed
2	33141031533	Hoisting motor, LS100L2 FCO 1,84/0,5 kw 3000/750 t/min, replaces all the dual range speeds, Add rectifier (7521111W)

2) COVER / SWL PLATE

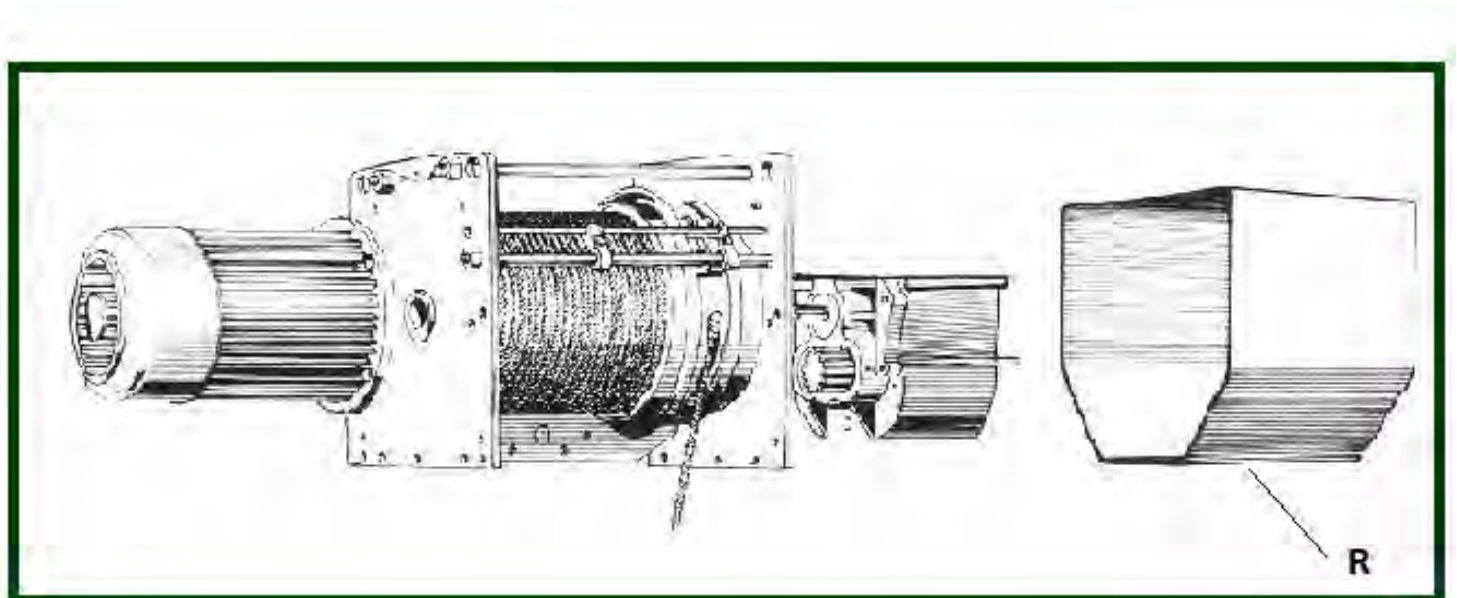


2.1) EUROBLOCC



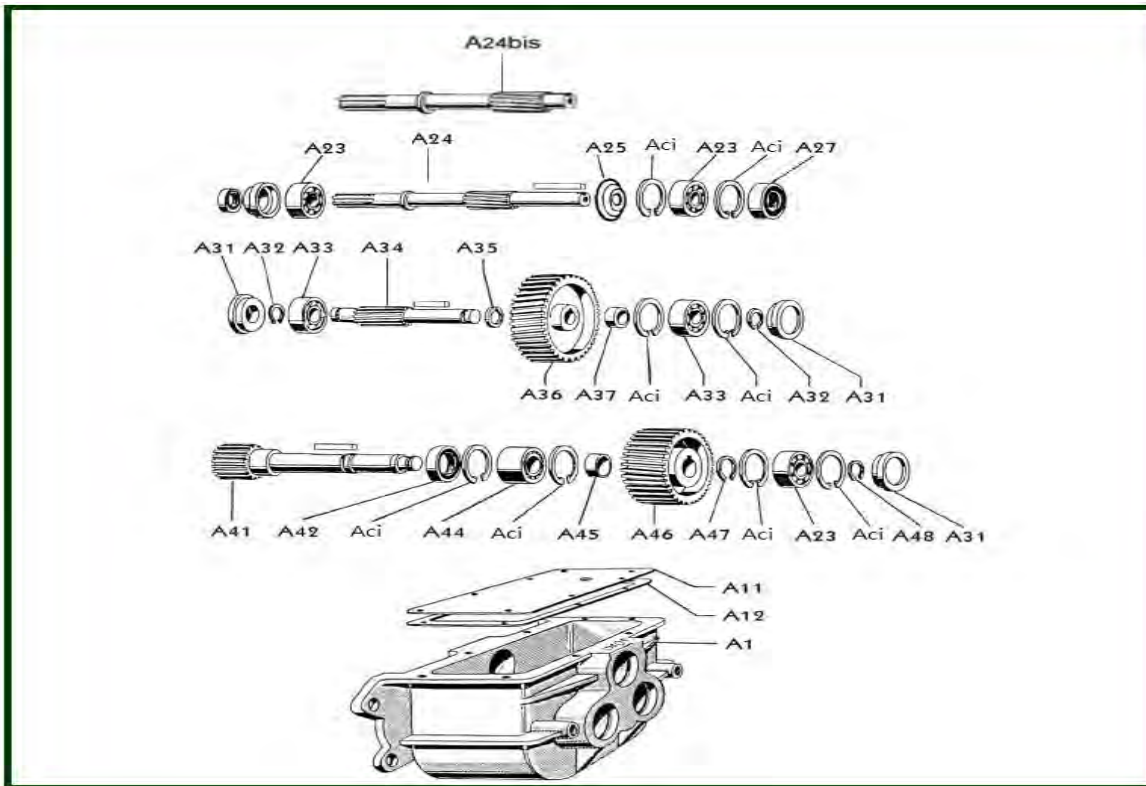
ITEM	REFERENCE	DESCRIPTION
-	KP6A5	Sticker SWL plate, 0,5T
-	KP6A8	Sticker SWL plate, 0,8T
-	KP6A2	Sticker SWL plate, 0,25T
-	KP6A1	Sticker SWL plate, 0,125T
-	KP6A16	Sticker SWL plate, 1,6T
-	KP6A10	Sticker SWL plate, 1T
-	KP6A20	Sticker SWL plate, 2T
-	KP6A32	Sticker SWL plate, 3,2T
-	KP5A1	Sticker SWL plate, 125 Kg
-	KP5A2	Sticker SWL plate, 250 Kg
-	KP5A5	Sticker SWL plate, 500 Kg
-	KP5A8	Sticker SWL plate, 800 Kg
-	KP5A10	Sticker SWL plate, 1000 Kg
-	KP5A16	Sticker SWL plate, 1600 Kg
-	KP5A20	Sticker SWL plate, 2000 Kg
-	KP5A32	Sticker SWL plate, 3200 Kg
-	7791300E	Cover seal
-	7213409N	Fixed screw
-	KP5AV	Name plate and cover
RC	5238201X	Cover only - Gearbox side
RM	5238211H	Cover - Motor side

2.2) RA - RB - RC

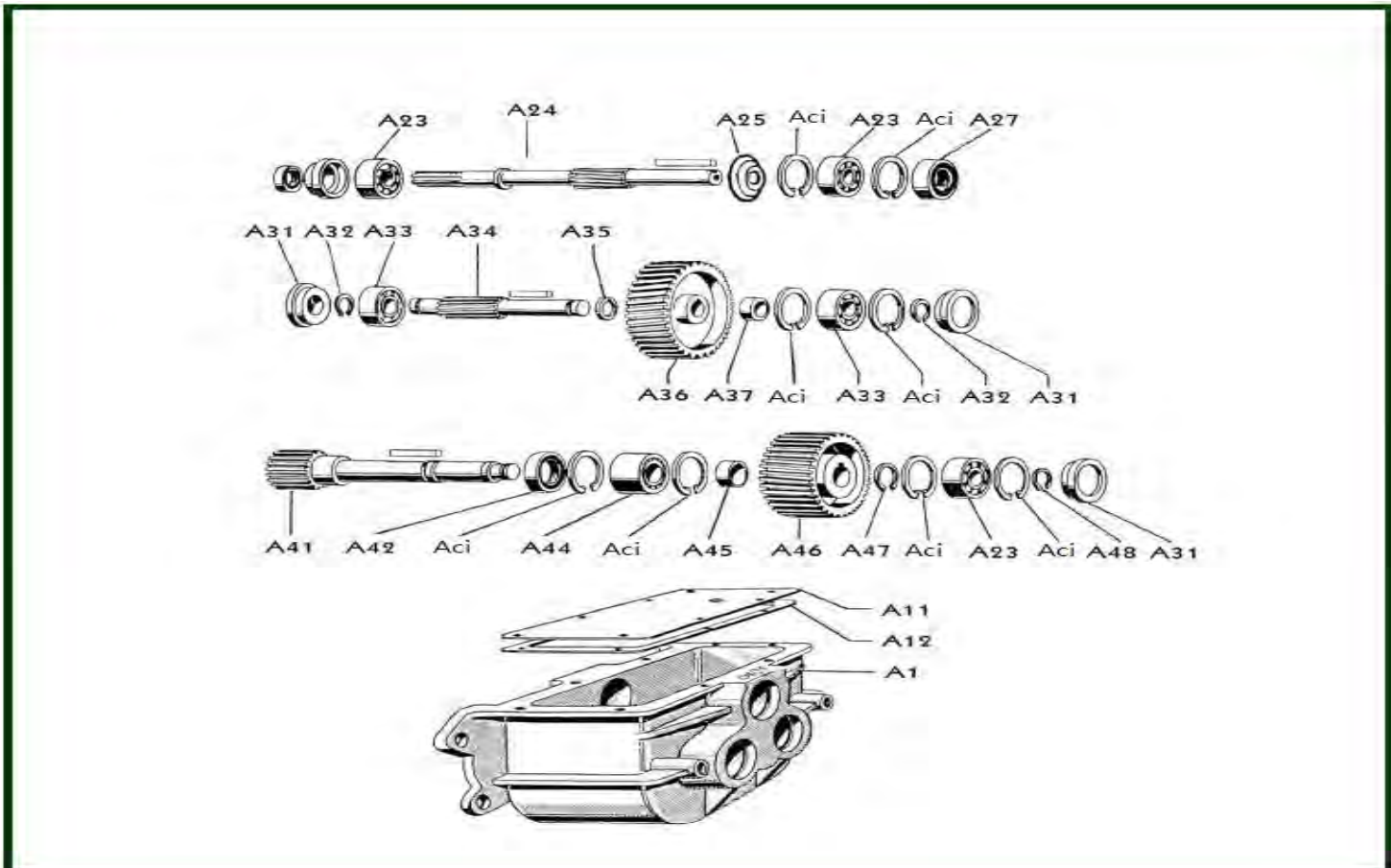


ITEM	REFERENCE	DESCRIPTION
R	33141030110	Cover gearbox

3) HOIST GEARBOX



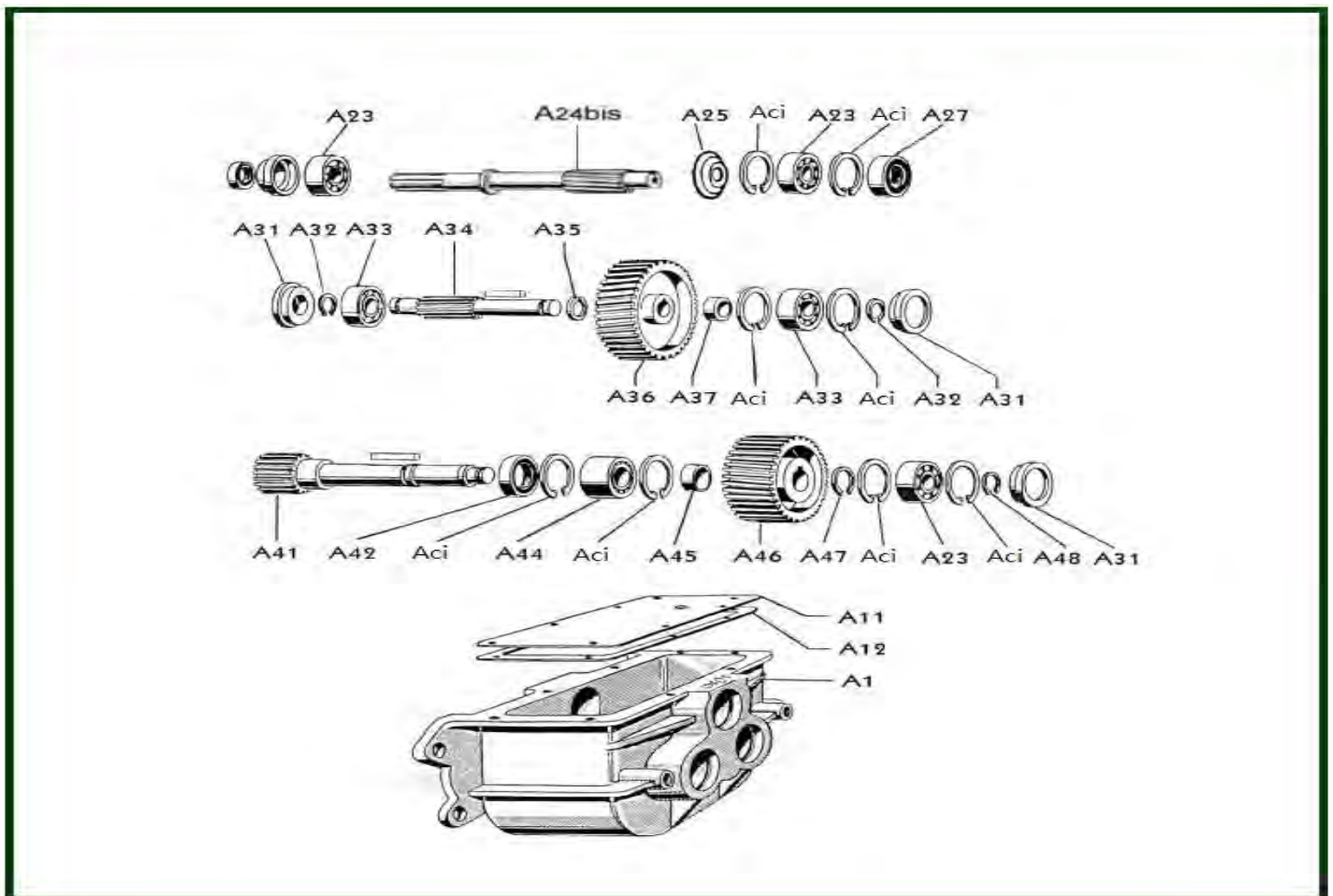
3.1) EUROBLOCC



ITEM	REFERENCE	DESCRIPTION
-	8913045T	Lubricant 1,5kg MULTIS EP200 gear/travel gear C, D, E, F, EUROCHAIN 1, 2, 3
A1	5234101R	Gearbox
A11	5234105A	Cover plate
A12	5234102S	Gasket for cover plate
A23	7413045H	Anti-friction bearing, 20 x 52 x 15
A24	5234221W	High speed shaft - 15 teeth, Carter 52-72-102-122-152
A24	5234201Z	High speed shaft - 19 teeth, Carter 51
A24	5234211K	High speed shaft - 22 teeth, Carter 71-101-121-151
A24DC	A24DC	Seal and bearing set
A25	5234205D	Deflector
A31	5234121N	Watertight cap, Ø 52
A33	7413040C	Bearings
A34	5234341B	Intermediate pinion - 16 teeth, Carter 152
A34	5234343D	Intermediate pinion - 19 teeth, Carter 122
A34	5234321E	Intermediate pinion - 20 teeth, Carter 151
A34	5234331R	Intermediate pinion - 22 teeth, Carter 102
A34	5234326K	Intermediate pinion - 23 teeth, Carter 121
A34	5234311U	Intermediate pinion - 27 teeth, Carter 72 - 101
A34	5234301H	Intermediate pinion - 33 teeth, Carter 71- 52
A34	5234303K	Pinion axle - 33 teeth, Carter 71- 52
A35	5234307Q	Spacer ring, 20/36/5
A36	5234222X	Intermediate gear - 111 teeth, Carter 52-72-102-122-152, 2 speeds
A36	5234212L	Intermediate gear - 108 teeth, Carter 71-101-121-151- 1 speed (except 51)
A37	5234306P	Spacer collar, 20/30/11.5
A41	5234403U	Drive pinion shaft - 20 teeth
A42	7460718B	SIMRIT seal
A44	7444304K	Needle bearing, 30 x 52 x 22
A45	5234406X	Spacer ring, 30/36/10
A46	5234302J	Slow speed gear - 63 teeth, Carter 71- 52
A46	5234312V	Slow speed gear - 69 teeth, Carter 72 - 101
A46	5234327L	Slow speed gear - 73 teeth, Carter 121
A46	5234332S	Slow speed gear - 74 teeth, Carter 102

A46	5234322F	Slow speed gear - 76 teeth, Carter 151
A46	5234344E	Slow speed gear - 77 teeth, Carter 122
A46	5234342C	Slow speed gear - 80 teeth, Carter 152
A46	5234202A	Slow speed gear - 118 teeth, Carter 51
A47	7262030L	External circlip, \varnothing 30
A48	7262020A	External circlip, \varnothing 30 - I/77
A241	7281083W	Cotter pin 1BR 8 x 7, \varnothing 320 - A, B, C
A341	7281064A	Cotter pin 1BR 6 x 6 x 32
A411	7283083V	Cotter pin 2BP 8 x 7 x 38
Aci	7261052Y	Internal circlip, \varnothing 52

3.2) RA - RB - RC

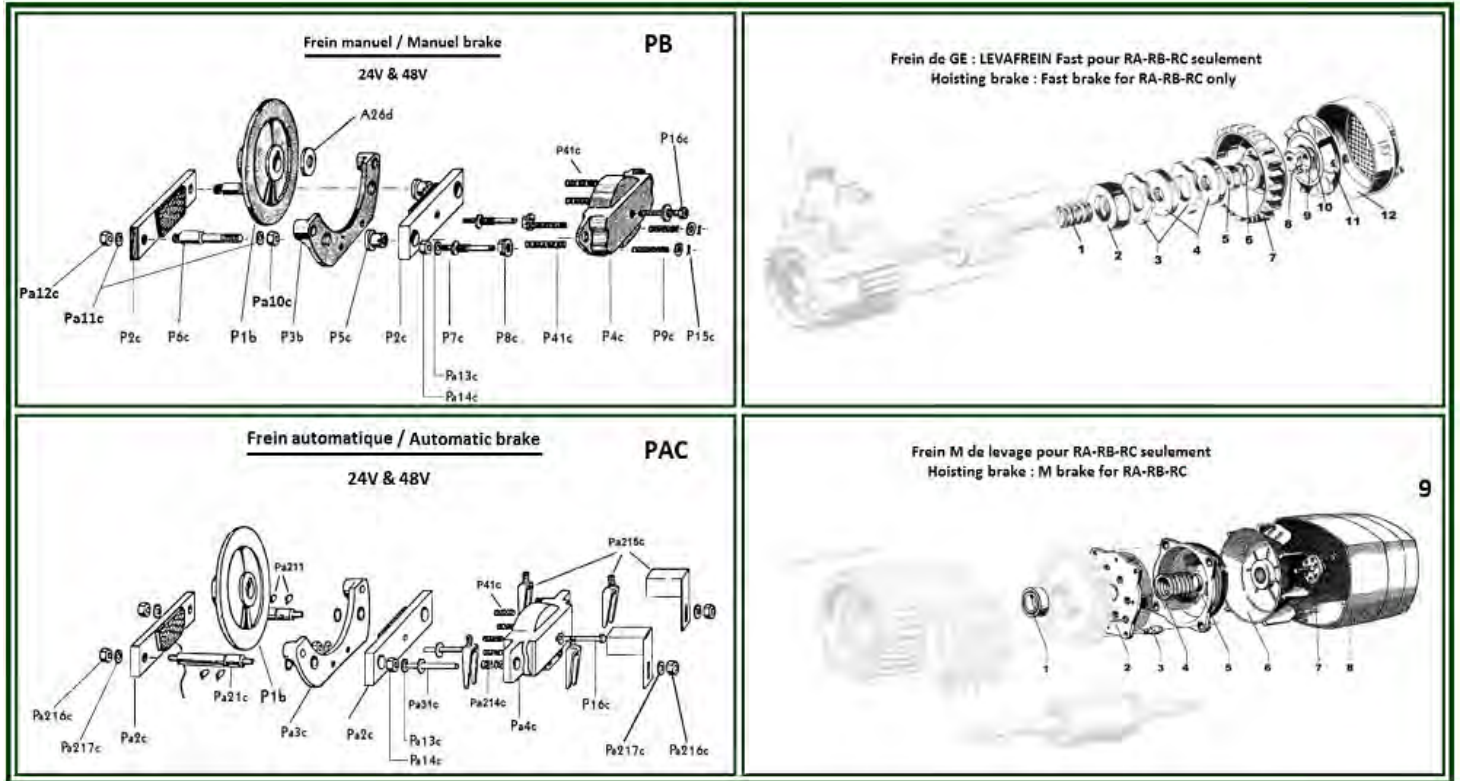


ITEM	REFERENCE	DESCRIPTION
-	8913045T	Lubricant 1,5kg MULTIS EP200 gear/travel gear C, D, E, F, EUROCHAIN 1, 2, 3
A1	5234101R	Gearbox
A11	5234105A	Cover plate
A12	5234102S	Gasket for cover plate

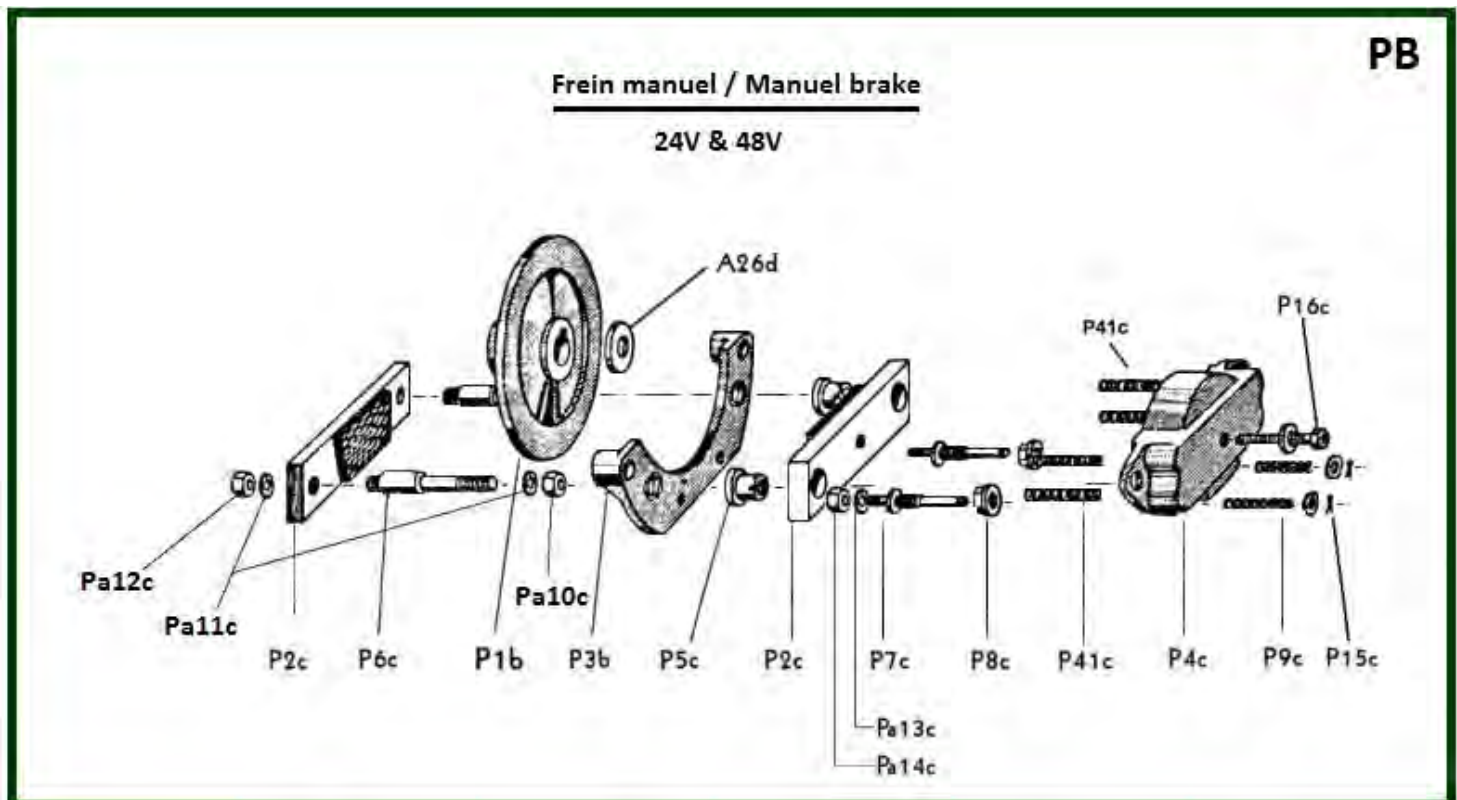
A23	7413045H	Anti-friction bearing, 20 x 52 x 15
A24bis	5134221A	High speed shaft - 15 teeth, Carter 52-72-102-122-152
A24bis	5134201D	High speed shaft - 19 teeth, Carter 51
A24bis	5134211Q	High speed shaft - 22 teeth, Carter 71-101-121-151
A24DC	A24DC	Seal and bearing set
A25	5234205D	Deflector
A31	5234121N	Watertight cap, Ø 52
A33	7413040C	Bearings
A34	5234341B	Intermediate pinion - 16 teeth, Carter 152
A34	5234343D	Intermediate pinion - 19 teeth, Carter 122
A34	5234321E	Intermediate pinion - 20 teeth, Carter 151
A34	5234331R	Intermediate pinion - 22 teeth, Carter 102
A34	5234326K	Intermediate pinion - 23 teeth, Carter 121
A34	5234311U	Intermediate pinion - 27 teeth, Carter 72 - 101
A34	5234301H	Intermediate pinion - 33 teeth, Carter 71- 52
A34	5234303K	Pinion axle - 33 teeth, Carter 71- 52
A35	5234307Q	Spacer ring, 20/36/5
A36	5234222X	Intermediate gear - 111 teeth, Carter 52-72-102-122-152, 2 speeds
A36	5234212L	Intermediate gear - 108 teeth, Carter 71-101-121-151- 1 speed (except 51)
A37	5234306P	Spacer collar, 20/30/11.5
A41	5234403U	Drive pinion shaft - 20 teeth
A42	7460718B	SIMRIT seal
A44	7444304K	Needle bearing, 30 x 52 x 22
A45	5234406X	Spacer ring, 30/36/10
A46	5234302J	Slow speed gear - 63 teeth, Carter 71- 52
A46	5234312V	Slow speed gear - 69 teeth, Carter 72 - 101
A46	5234327L	Slow speed gear - 73 teeth, Carter 121
A46	5234332S	Slow speed gear - 74 teeth, Carter 102
A46	5234322F	Slow speed gear - 76 teeth, Carter 151
A46	5234344E	Slow speed gear - 77 teeth, Carter 122
A46	5234342C	Slow speed gear - 80 teeth, Carter 152
A46	5234202A	Slow speed gear - 118 teeth, Carter 51
A47	7262030L	External circlip, Ø 30
A48	7262020A	External circlip, Ø 30 - I/77

A241	7281083W	Cotter pin 1BR 8 x 7, Ø 320 - A, B, C
A341	7281064A	Cotter pin 1BR 6 x 6 x 32
A411	7283083V	Cotter pin 2BP 8 x 7 x 38
Aci	7261052Y	Internal circlip, Ø 52

4) HOIST BRAKE

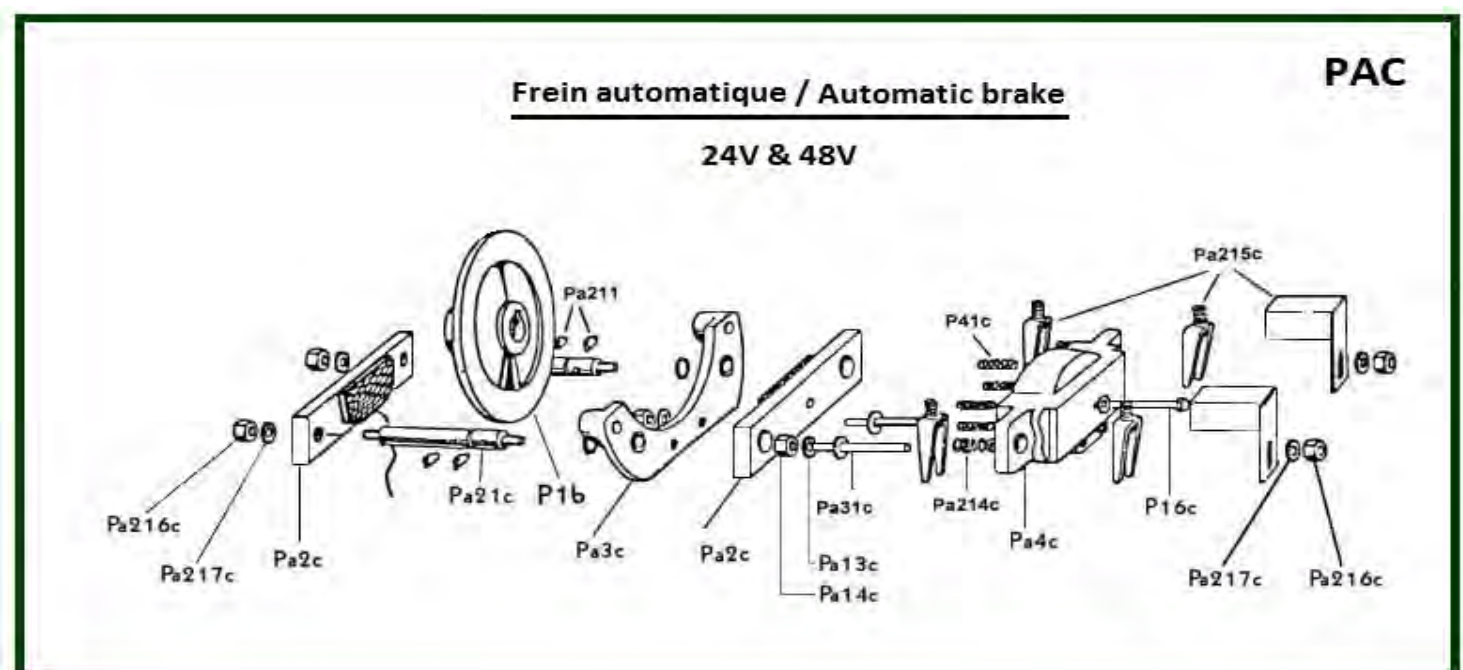


4.1) MANUAL BRAKE FOR EUROBLOC C ONLY



ITEM	REFERENCE	DESCRIPTION
A26d	7285040X	Disc brake washer
P1b	5235201L	Brake wheel
P2c	EPCK5071/72T	Set of brake jaws and rear with linings
P3b	8567231H	Support of brake
P4c	5235121Z	Manuel brake solenoid -2 4V
P5c	5235141W	Adjusting bushes
P6c	5235134P	Studs
P7c	5235142X	Studs for stops
P8c	7228088T	AKULON stops
P9c	5235152H	Springs for studs
P15c	7271164Q	Split pin
P16c	7211458S	Screw 8 x 40
P41c	5235133N	Springs for solenoid
Pa10c	7221080A	HM nut (8)
Pa11c	7232080C	Grower washer (8)
Pa12c	7222080N	Flat nut (8)
Pa13c	7231061Z	Flat washer (6)
Pa14c	7221060D	HM nut (6)
PB	3235110Z	Manuel brake - 24V, Wire coil red/ blue
PB	3235113C	Manuel brake - 48V, white

4.2) AUTOMATIC BRAKE FOR EUROBLOC C ONLY



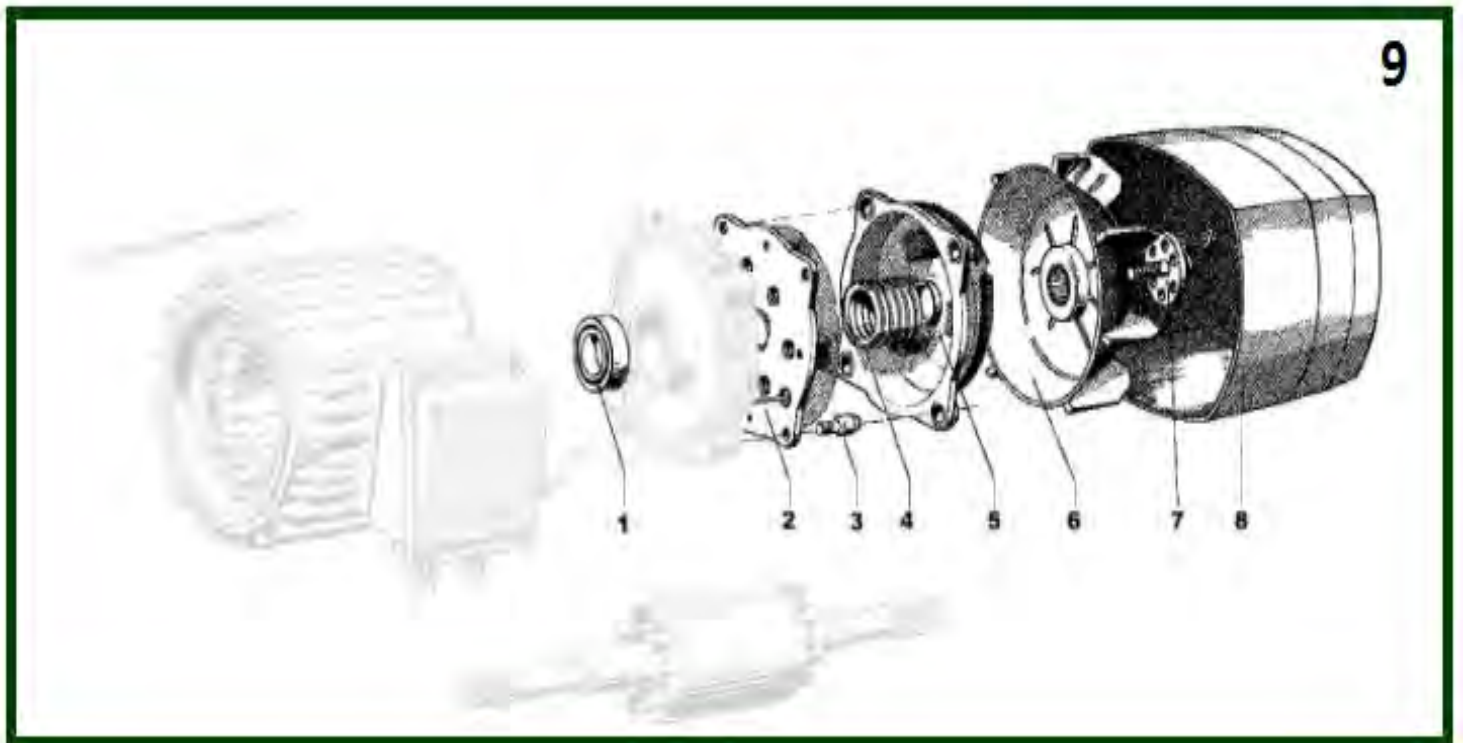
ITEM	REFERENCE	DESCRIPTION
P1b	5235201L	Brake wheel
P16c	7211458S	Screw 8 x 40
P41c	5235133N	Springs for solenoid
Pa2c	5235136R	Brake bar
Pa2c	5235135Q	Coil side brake bar
Pa3c	8567232J	Support of brake
Pa4c	5235122A	Automatic brake solenoid - 24V
Pa4c	5235123B	Automatic brake solenoid - 48V
Pa13c	7231061Z	Flat washer (6)
Pa14c	7221060D	HM nut (6)
Pa21c	5235137S	Studs
Pa31c	5235138T	Housing support pin
Pa211	5255147S	Wedge follower
Pa214c	5255148T	Gap control spring
Pa215c	PA215C	Key guide (key + spring)
Pa216c	7222100J	Flat nut-10mm
Pa217c	7232100D	Narrow Grower washer -10mm, DIN12
PAC	3235111A	Automatic brake - 24V, Red-Blue
PAC	3235112B	Automatic brake - 48V, Black-White

4.3) FAST BRAKE FOR RA - RB - RC ONLY



ITEM	REFERENCE	DESCRIPTION
1	990988	Pressure spring - LS 90
2	33141031896	Frame - LS 90
3	NCG	Clutch, Not sold separately from brake set
4	990980	Brake discs - LS 90
6 & 9 & 10	NCI	Circlip, Not sold separately from brake set
7	NCLAA	Back side plate, not sold separately from motor assembly
8	7412040R	Ball bearing - LS 90
11	NCVEN	Ventilator, Not sold separately from brake set
12	990523	Steel cover + screw - LS 90
-	NCCA	Washer, Not sold separately from brake set
-	990995	Brake set LS90 + elastic washer, 3 + 5 + 6 + 10 + 11
-	33141031897	Side plate / Brake set - LS 90, 7 + 8 + 9

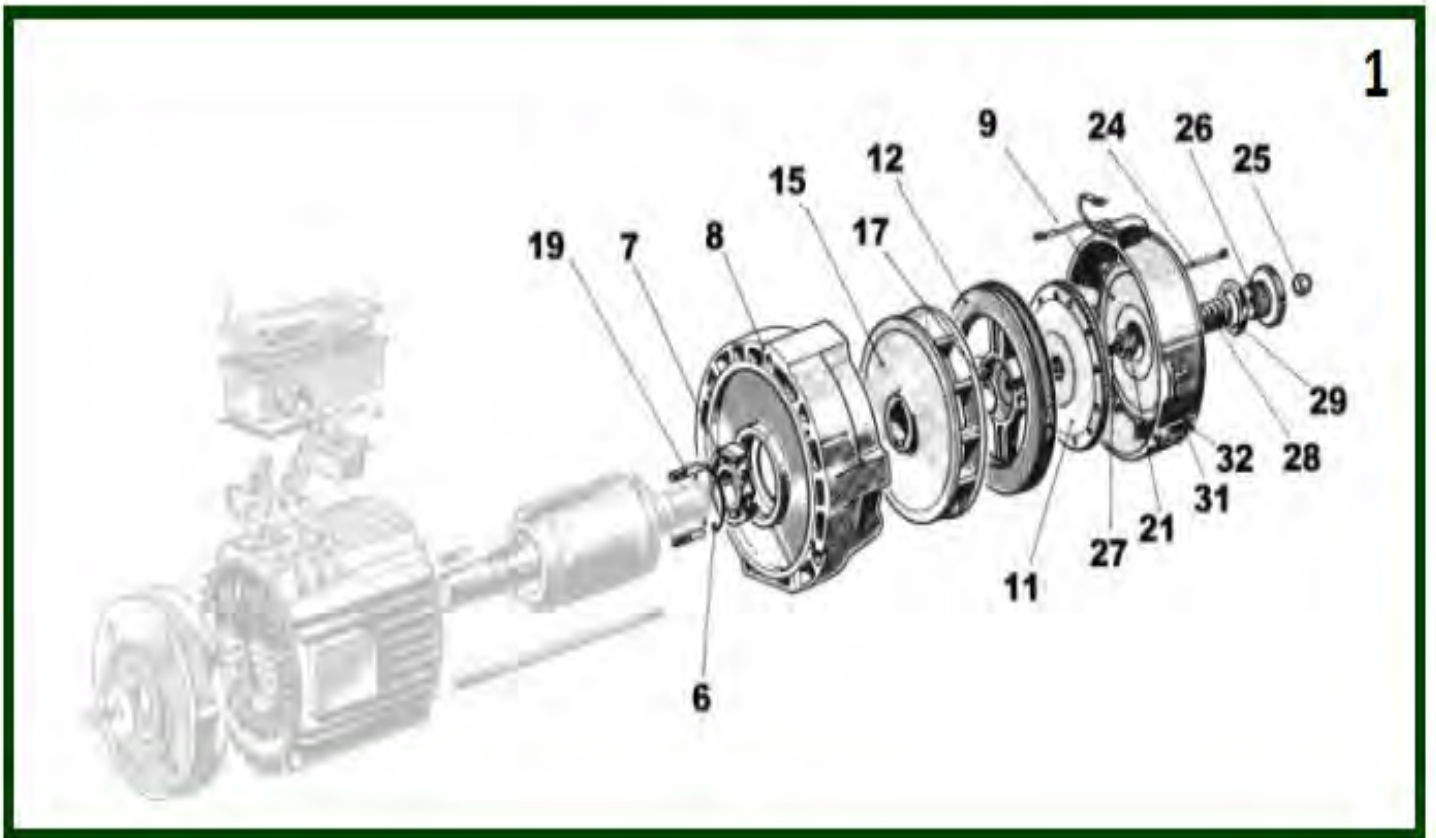
4.4) M TYPE BRAKE FOR RA - RB - RC ONLY



ITEM	REFERENCE	DESCRIPTION
1	7412064S	Bearing, VS2....O (VSX)
2 + 3	30088200050	Brake coil + screw, M90
2 + 3	30088200051	Brake coil + screw, M100

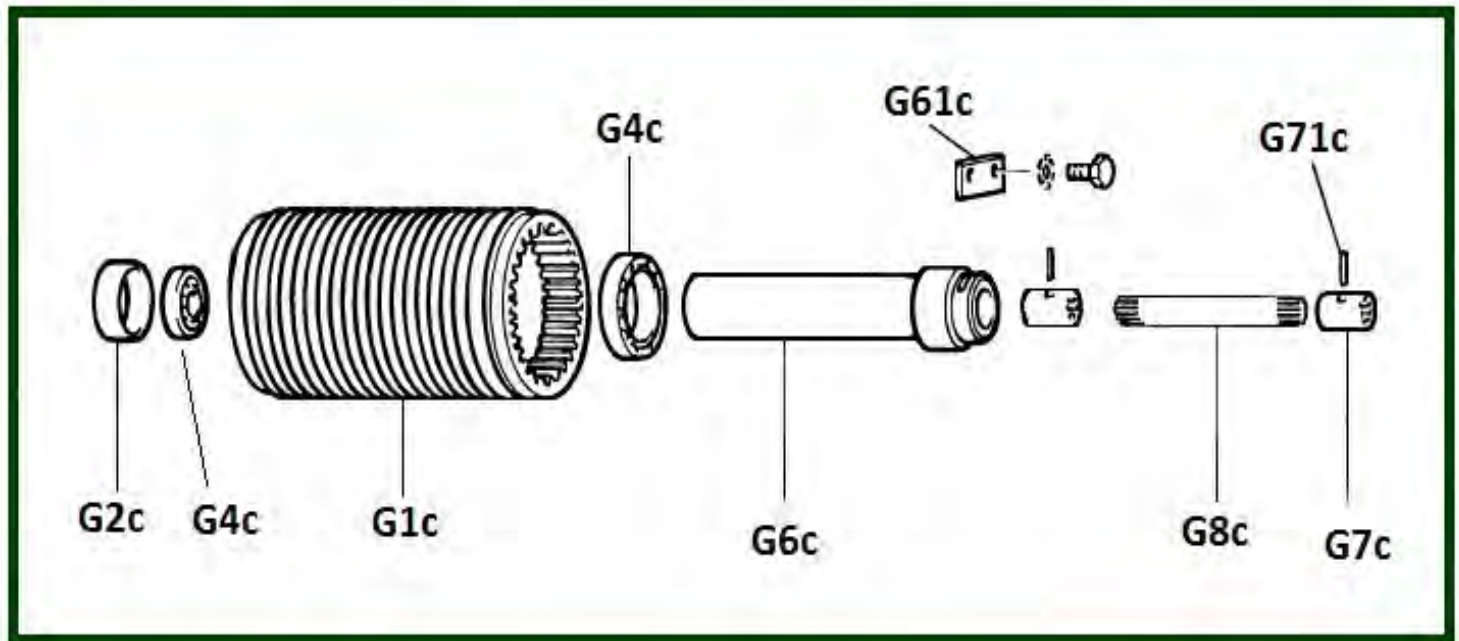
4 & 5	30066098003	Gear rim set (armature + spring), M90
4 & 5	300108003	Gear rim set (armature + spring), M100
6 + 7	30081108127	Splined fan + washer and adjusting screw, M90 & M100
8	NCCAP	Cover with hand release brake, M90 & M100 - Plus provided
9	33210130505	Complete brake without back flange and manual release, M100
-	30081088016Y	Hand release brake set, M90 & M100

4.5) HOIST FCO BRAKE FOR RA - RB - RC ONLY



ITEM	REFERENCE	DESCRIPTION
1	18203002	Complete brake + disc LS100, 20V
11	28223004	Frame
-	28223003	Brake disc, 15+17+19
-	342028223002	Brake set - Brake FCM 112, 12+25+27
-	342028223008	Brake torque adjustment set - Brake FCM 112, 25+26+28+29
-	342028223005	Coil set - Brake FCM 112, 9+24+31+32
-	7521111W	Rectifier, Brake 24V

5) ROPE DRUM / COUPLING / ROPE



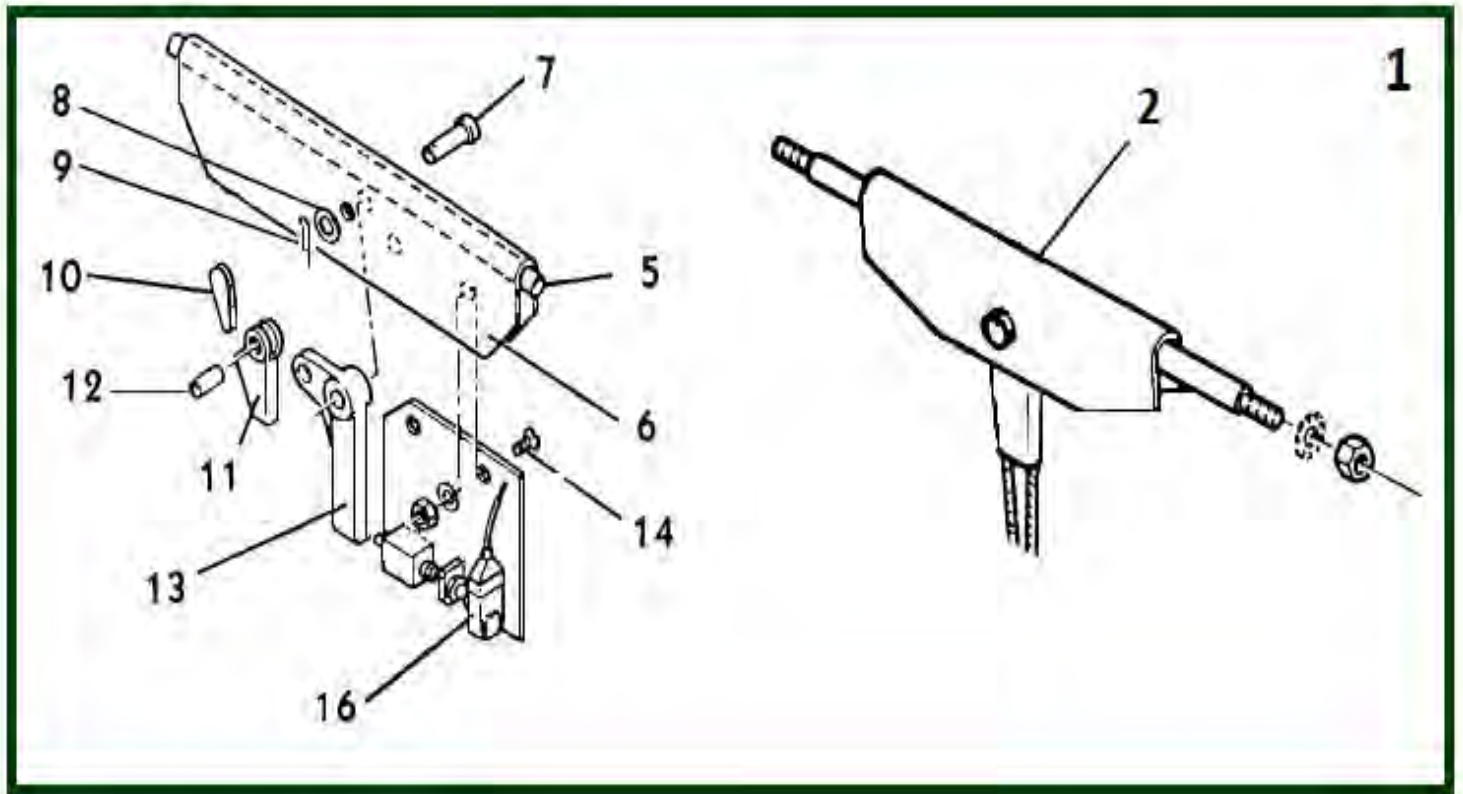
ITEM	REFERENCE	DESCRIPTION
101	7311334C	Non-rotating steel cable - \varnothing 6,5, the meter
201	7311734N	Non-rotating steel cable - \varnothing 8,5, the meter
301	7321435G	Preformed steel cable - \varnothing 6,5, the meter
401	7321833Q	Preformed cable - \varnothing 8,5, the meter
500	7333060T	Rope clamp - \varnothing 6,5
500	7333080Q	Rope clamp - \varnothing 8,5, DIN741-6.5
-	7211353C	HM screw 6 x 16, For rope-drum
-	7261080D	Internal circlip - \varnothing 80
G1c	5242112Y	Rope drum L - 1F - 10,5 mm, Lg 445 - \varnothing 215
G1c	5232122Q	Rope drum L - 2F - 10,5 mm, Lg 445 - \varnothing 215
G1c	5232112D	Rope drum L - 1F - 7,5 mm, Lg 445 - \varnothing 215
G1c	5242111X	Rope drum N - 1F - 10,5 mm, Lg 295 - \varnothing 215
G1c	5232111C	Rope drum N - 1F - 7,5 mm, Lg 295 - \varnothing 215
G1c	5232121P	Rope drum N - 2F - 7,5 mm, Lg 295 - \varnothing 215
G1c	5232112E	Rope drum SL - 1F - 7,5 mm, Lg 595 - \varnothing 215
G1c	5242113Z	Rope drum SL - 1F - 10,5 mm, Lg 595 - \varnothing 215
G2c	5232136E	Spacer ring
G4c	7410101H	Bearing
G6c	5232132A	Mounting tube - Long drum

G6c	5232131Z	Mounting tube - Normal drum
G6c	5232137F	Mounting tube - Super Long drum
G7c	5232405X	Splined coupling
G8c	5232402U	Drive shaft - Long drum, Lg 370
G8c	5232401T	Drive shaft - Normal drum, Lg 214
G8c	5232403V	Drive shaft - Super Long drum, Lg 514
G09	3232413T	Main shaft + flexible coupling - Long drum, Lg 430 - C
G09	3232412S	Main shaft + flexible coupling - Normal drum, Lg 276 - C
G61c	5232135D	Keep plate for centre tube
G71c	7273156E	Mecanindus pin

5.1) PRE-CUT ROPE

ITEM	REFERENCE	DESCRIPTION
100	5232204D	Non-rotating rope Ø 6,5 + eyelet, Lg 35m, C-R -RB - 2/1 L HPR
100	5232206F	Non-rotating rope Ø 6,5 + eyelet, Lg 37m, C-RA-RB - 2/1 L
100	5232209J	Non-rotating rope Ø 6,5 + eyelet, Lg 48m, C-RA-RB - 2/1 SL HPR
100	5232201A	Non-rotating rope Ø 6,5 + eyelet, Lg 22,5m, C-RA - 1/1 N
100	5232208H	Non-rotating rope Ø 6,5 + eyelet, Lg 50m, C-RA-RB - 2/1 SL
200	5242203X	Non-rotating cable Ø 8,5 + eyelet, Lg 24,9m, C-RC - 2/ 1 L HPR
200	5242204Y	Non-rotating cable Ø 8,5 + eyelet, Lg 26,9m, C-RC - 2/1 L
200	5242207B	Non-rotating cable Ø 8,5 + eyelet, Lg 34,4m, C-RC 2/1 SL HPR
200	5242206A	Non-rotating cable Ø 8,5 + eyelet, Lg 36,4m, C-RC 2/1 SL
300	5232211L	Preformed cable Ø 6,5 + eyelet, Lg 21,5m, C-RA-RB - 2/1 N HPR
300	5232212N	Preformed cable Ø 6,5 + eyelet, Lg 23,5m, C-RA-RB - 2/1 N HPN - 4/1 HPR
300	5232213P	Preformed cable Ø 6,5 + eyelet, Lg 24,7m, C-RB - 4/1 N
300	5232215R	Preformed cable Ø 6,5 + eyelet, Lg 36m, C-RB - 4/1 L HPR
300	5232217T	Preformed cable Ø 6,5 + eyelet, Lg 38m, C - RB - 4/1 L
300	5232218U	Preformed cable Ø 6,5 + eyelet, Lg 49m, C - RB - 4/1 SL HPR
400	5242221S	Preformed cable Ø 8,5 + eyelet, Lg 15m, C - RC - 2/1 N HPR
400	5242222T	Preformed cable Ø 8,5 + eyelet, Lg 17m, C - RC - 2/1 N
400	5242226X	Preformed cable Ø 8,5 + eyelet, Lg 26,2m, C - RC - 4/1 L HPR
400	5242225W	Preformed cable Ø 8,5 + eyelet, Lg 28m, C - RC - 4/1 L
400	5242227Y	Preformed cable Ø 8,5 + eyelet, Lg 35,7m, C - RC - 4/1SL HPR

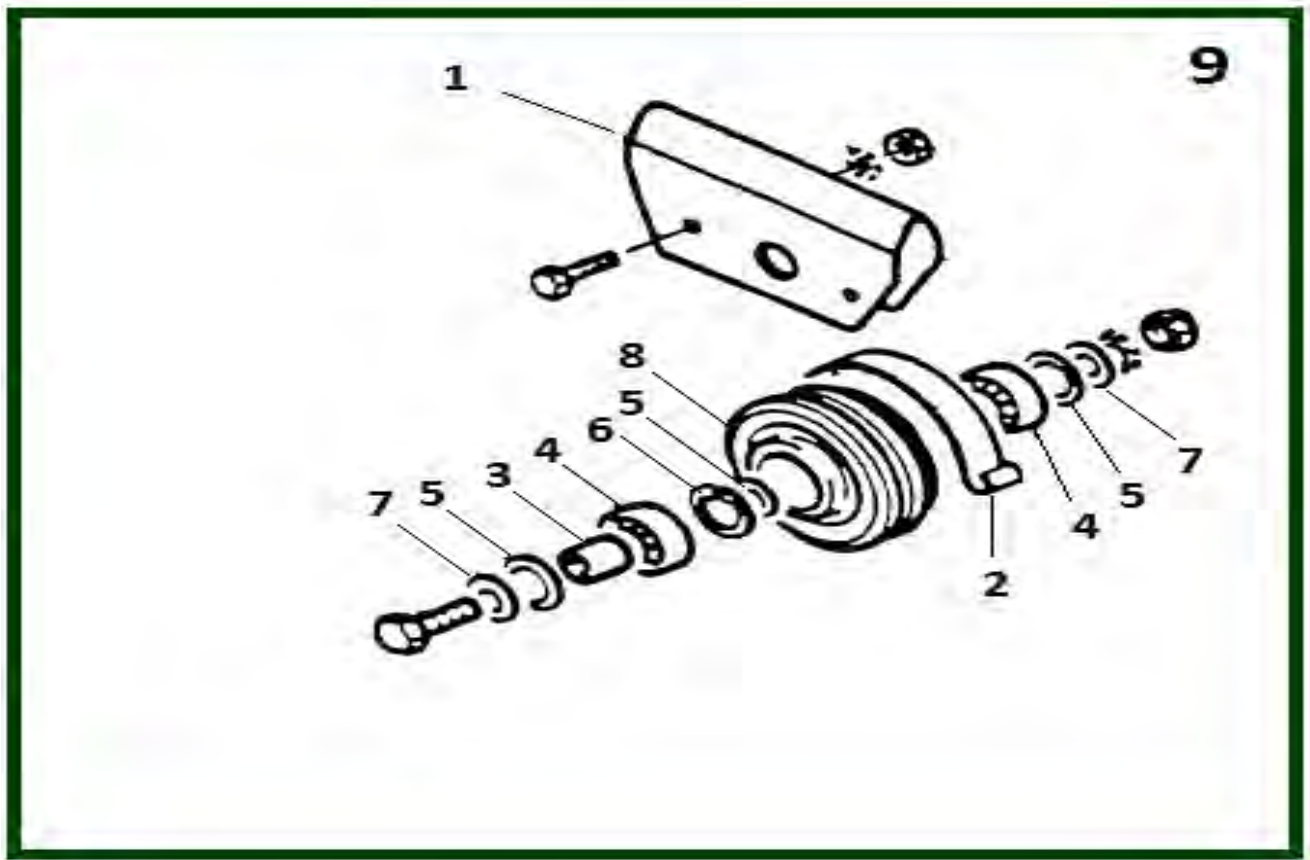
6) OVERLOAD LIMITER/ CROSSHEAD LIMITER AND FIXED POINT



ITEM	REFERENCE	DESCRIPTION
1	2231420G	Complete load limiter + support bracket N drum, Specify the diameter of cable
1	2231421H	Complete load limiter + support bracket L drum, Specify the diameter of cable
1	2231422J	Complete load limiter + support bracket SL drum, Specify the diameter of cable
1	11901005	Load limiter without support
2	5231402G	Long side plate L
2	5231401F	Normal side plate N
2	5231403H	Super Long side plate SL
5	5231304A	Sleeve L - \varnothing 20
5	5231303Z	Sleeve N - \varnothing 20
5	5231306C	Sleeve SL - \varnothing 20, HPN (4) – FP (3)- HPR (5)
6	5231421C	Suspension member rope anchorage only for load limiter L
6	5231420B	Suspension member rope anchorage only for load limiter N
6	5231422D	Suspension member rope anchorage only for load limiter SL
7	5231411S	Anchor pin
8	7151213H	Washer
9	7271322L	Pin

10	8536223D	Key cable, Ø 6.5 mm
10	8536224E	Key cable, Ø 8.5 mm
11	5231410R	Rope anchor
12	5231431P	Rope attachment cable, Unique limiter
13	5231432Q	Right-angled lever
14	7216656S	Fixing screw
16	7545111H	Load limiter electrical contact, Before end 1991
16	7545112J	Switch, Before end 1991

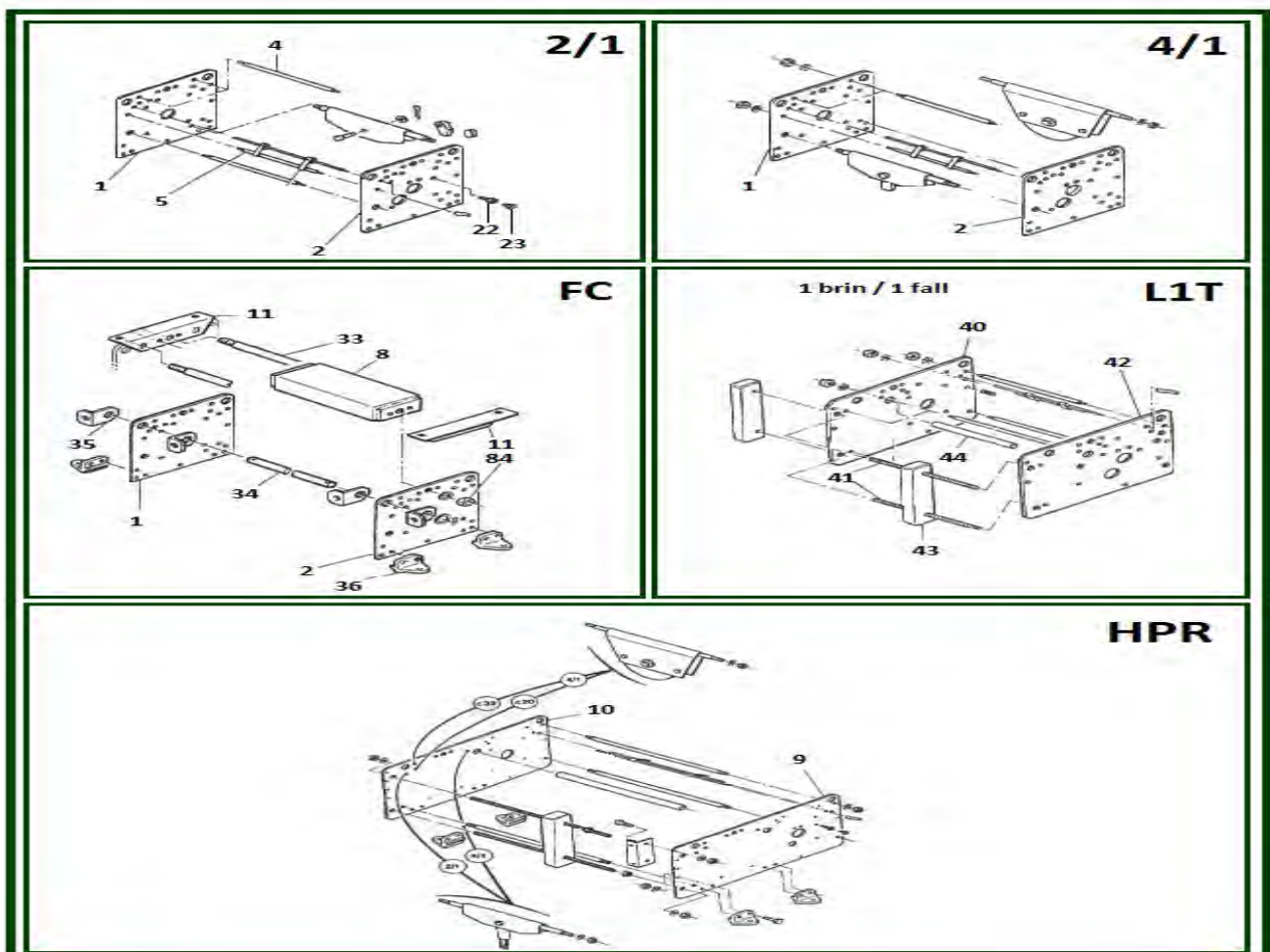
7) RETURN



ITEM	REFERENCE	DESCRIPTION
1	5231512B	Support for return pulley, C20L - cable 6,5
1	5231511A	Support for return pulley, C20N - cable 6,5
1	5231514D	Support for return pulley, C20SL - cable 6,5
1	5241512W	Support for return pulley, C32L - cable 8,5
1	5241514Y	Support for return pulley, C32SL - cable 8,5
2	5231513C	Guide for wire rope, C20
2	5231513X	Guide for wire rope, C32
3	5231504T	Axle for pulley, C20

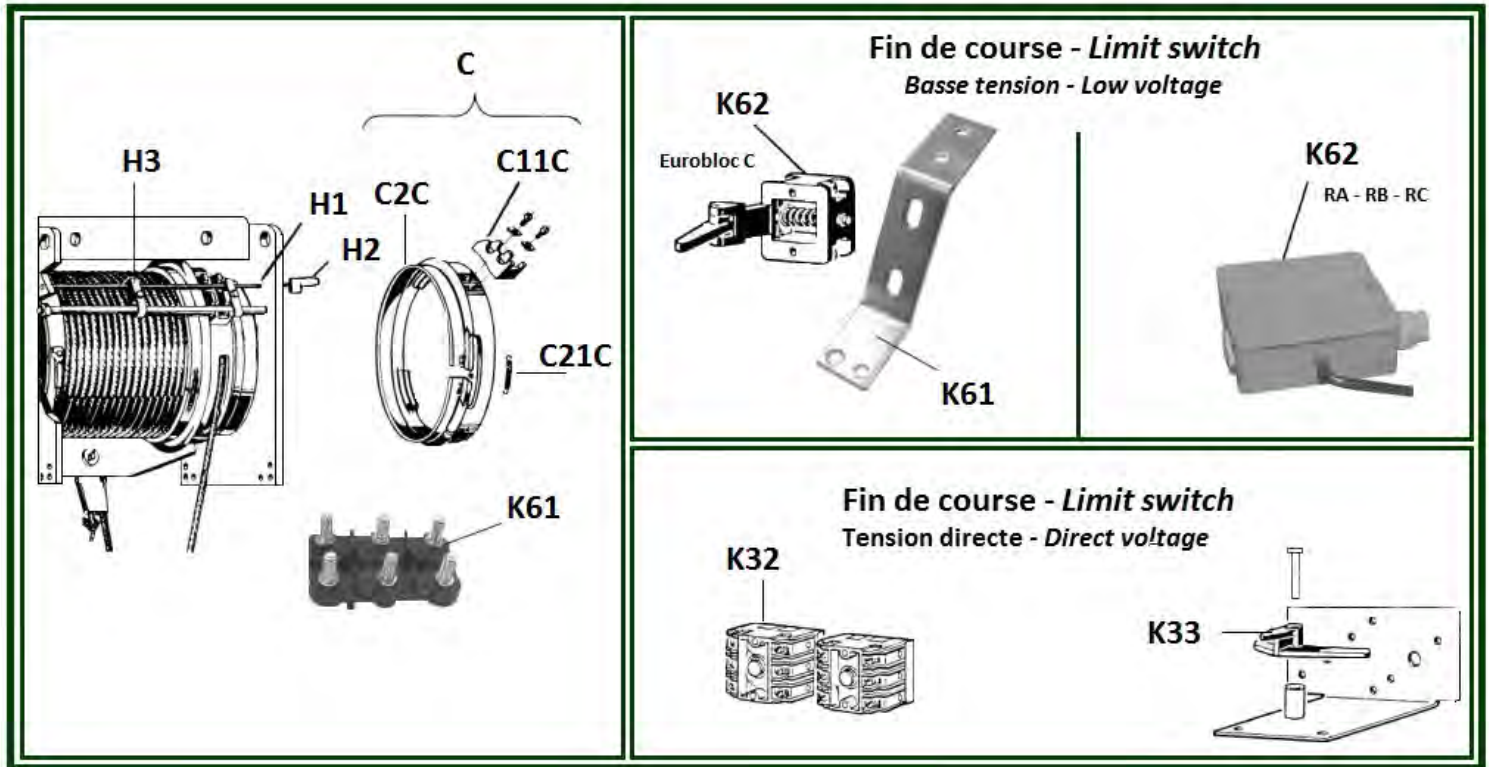
3	5241504N	Axle for pulley, C32
4	7412051C	Bearing, C20
4	7412061P	Bearing, C32 - A, B
5	5233621U	Spacer ring, C20
5	5243621P	Washer, C32
6	300079	Circlip - Ø 62, C3-C5- VS2... O (VSX)
6	300078	Interior circlip - Ø 52, C20
7	7285040X	Disc brake washer
8	5243420V	Pulley, C32 - MV1706 178/197
8	5233420A	Pulley MV1537 150/133, C20
9	3231513Q	Return pulley assembly, C20L - cable 6,5
9	3231512P	Return pulley assembly, C20N - cable 6,5
9	3231514R	Return pulley assembly, C20SL - cable 6,5
9	3241511G	Return pulley assembly, C32L - cable 8,5
9	3241512H	Return pulley assembly, C32SL - cable 8,5

8) FRAME HPN AND HPR



ITEM	REFERENCE	DESCRIPTION
F1C	5231114U	Side plate motor, LHT
F1TC	5231118Y	Side plate motor, L1T
F2C	5231113T	Gearbox end plate, LHT
F2TC	5231117X	Gearbox end plate, L1T
F4C	NCLIM	See chap 6 item 5
F5C	5231302Y	Guide for tappets L drum, Ø 16
F5C	5231301X	Guide for tappets N drum, Ø 16
F5C	5231305B	Guide for tappets SL drum, Ø 16
F8C	5532512A	Crosshead 130 L, fixed suspended
F8C	5532511Z	Crosshead 130 N, fixed suspended
F9C	5231115V	Gearbox end plate, LHT
F10C	5231116W	Geared side plate, LHT
F22C	5232103U	Grease nipple container
F23C	7491234W	Tecalemit nipple
F33C	5532206T	Suspension bar L
F33C	5532205S	Suspension bar N
F33C	5532207U	Suspension bar SL
F43C	8533232C	Counterweight
F44C	8872124P	Cable feed tube, Longueur 1 m
F412C	5233113S	Threaded rod, Lg 450 - Ø 20
F412C	5233114T	Threaded rod, Lg 550 - Ø 20
F412C	5233115U	Threaded rod, Lg 700 - Ø 20
FA3C	5432580D	Mounting cleat for foot mounted types, Version installed
FA34C	5432584H	Axle L, Version applied
FA34C	5432583G	Axle N, Version applied
FA35C	5432582F	Mounting cleat left, wall mounted
FA35C	5432581E	Mounting cleat right, wall mounted
FC1	5532580Z	Foot mountings, Version suspended

9) ROPE GUIDE / LIMIT SWITCH



9.1) EUROBLOC C

ITEM	REFERENCE	DESCRIPTION
-	5232316A	Bracket
-	830103	HM Screw
-	831501	Screw M6, Standard
-	7233080U	Shockproof washer
-	7216453W	TFHC Screw
C2C	EP5K202T	Pressure ring with spring, Cable \varnothing 6,5
C2C	EP15K202T	Pressure ring with spring, Cable \varnothing 8,5
C11C	7232080G	GROWER washer - \varnothing 8, VS5.....D/E
C11C	7215453J	Screw CHC 8x16, Screw for shaft
C11C	5232342D	Traveller for rope guide
C11C	5232314Y	Washer
C21C	5232332T	Pressure ring spring - 7,5
C21C	5242332N	Pressure ring spring - 10,5
C	3232322U	Complete rope guide - 7,5L, Cable \varnothing 6,5
C	EP15K20G	Complete rope guide - 10,5L, Cable \varnothing 8,5
C	3242320L	Complete rope guide - 10,5R, Cable \varnothing 8,5 - for C-RC 1/1-2/1-4/1

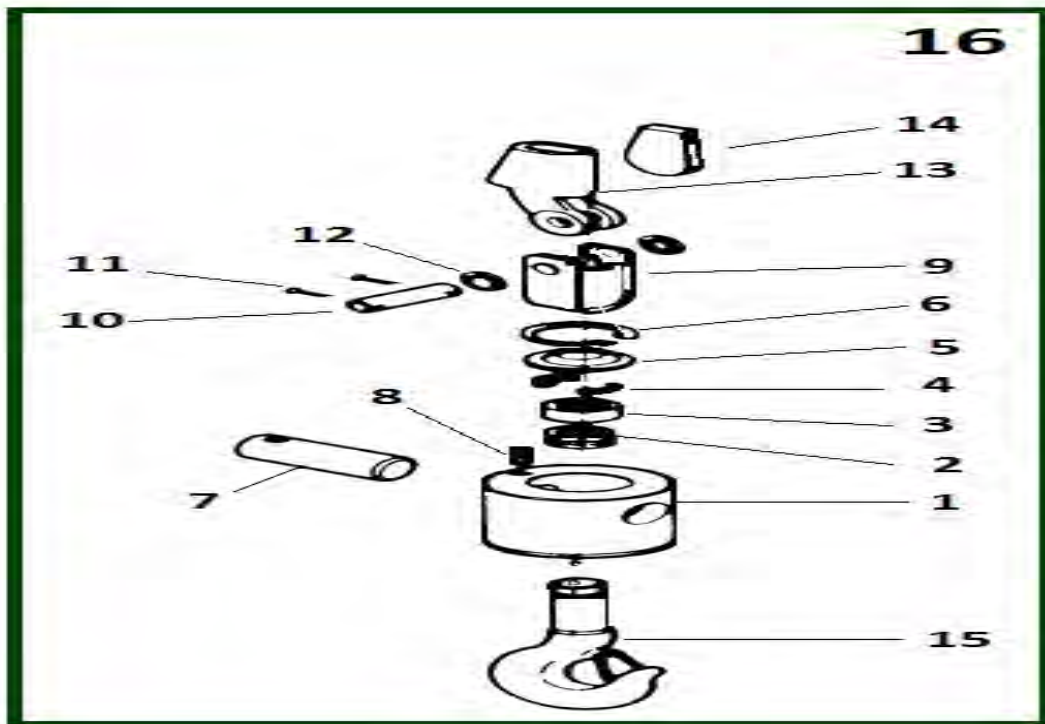
C	3232320S	Complete rope guide 7,5R, Cable Ø 6,5 - C-RA-RB 1/1-2/1-4/1-4/2 & RC 4/2
H1	5231332F	Limit switch operating rod L, Lg 525 mm
H1	5231331E	Limit switch operating rod N, Lg 375 mm
H1	5231333G	Limit switch operating rod SL, Lg 675 mm
H2	5231343T	Threaded ferrule for limit rod
H3	5231342S	Guide for tappets
H3	7211254V	Screw
H3	5231341R	Tappet
H3	7232050Z	Washer
K32	7542211F	Limit switch contact, Direct voltage
K33	5642101U	Rocker arm, Direct voltage
K60	5632003T	Hoisting limit switch contact bracket, Low voltage
K61	7581401D	Hoisting motor terminal block
K62	3632111X	Limit switch contact, Low voltage for C

9.2) RA - RB - RC

ITEM	REFERENCE	DESCRIPTION
-	5232316A	Bracket
-	830103	HM Screw
-	831501	Screw M6, Standard
-	7233080U	Shockproof washer
-	7216453W	TFHC Screw
C2C	EP5K202T	Pressure ring with spring, Cable Ø 6,5
C2C	EP15K202T	Pressure ring with spring, Cable Ø 8,5
C11C	7232080G	GROWER washer - Ø 8, VS5.....D/E
C11C	7215453J	Screw CHC 8x16, Screw for shaft
C11C	5232342D	Traveller for rope guide
C11C	5232314Y	Washer
C21C	5232332T	Pressure ring spring - 7,5
C21C	5242332N	Pressure ring spring - 10,5
C	3232322U	Complete rope guide - 7,5L, Cable Ø 6,5
C	EP15K20G	Complete rope guide - 10,5L, Cable Ø 8,5
C	3242320L	Complete rope guide - 10,5R, Cable Ø 8,5 - for C-RC 1/1-2/1-4/1

C	3232320S	Complete rope guide 7,5R, Cable Ø 6,5 - C-RA-RB 1/1-2/1-4/1-4/2 & RC 4/2
H1	33141031126	Limit switch operating rod L, Lg 530 mm
H1	33141031125	Limit switch operating rod N, Lg 380 mm
H1	33141031129	Limit switch operating rod SL, Lg 680 mm
H3	5231342S	Guide for tappets
H3	7211254V	Screw
H3	5231341R	Tappet
H3	7232050Z	Washer
K32	7542211F	Limit switch contact, Direct voltage
K33	5642101U	Rocker arm, Direct voltage
K60	5632003T	Hoisting limit switch contact bracket, Low voltage
K61	7581401D	Hoisting motor terminal block
K62	30140510515	Limit switch contact, Low voltage

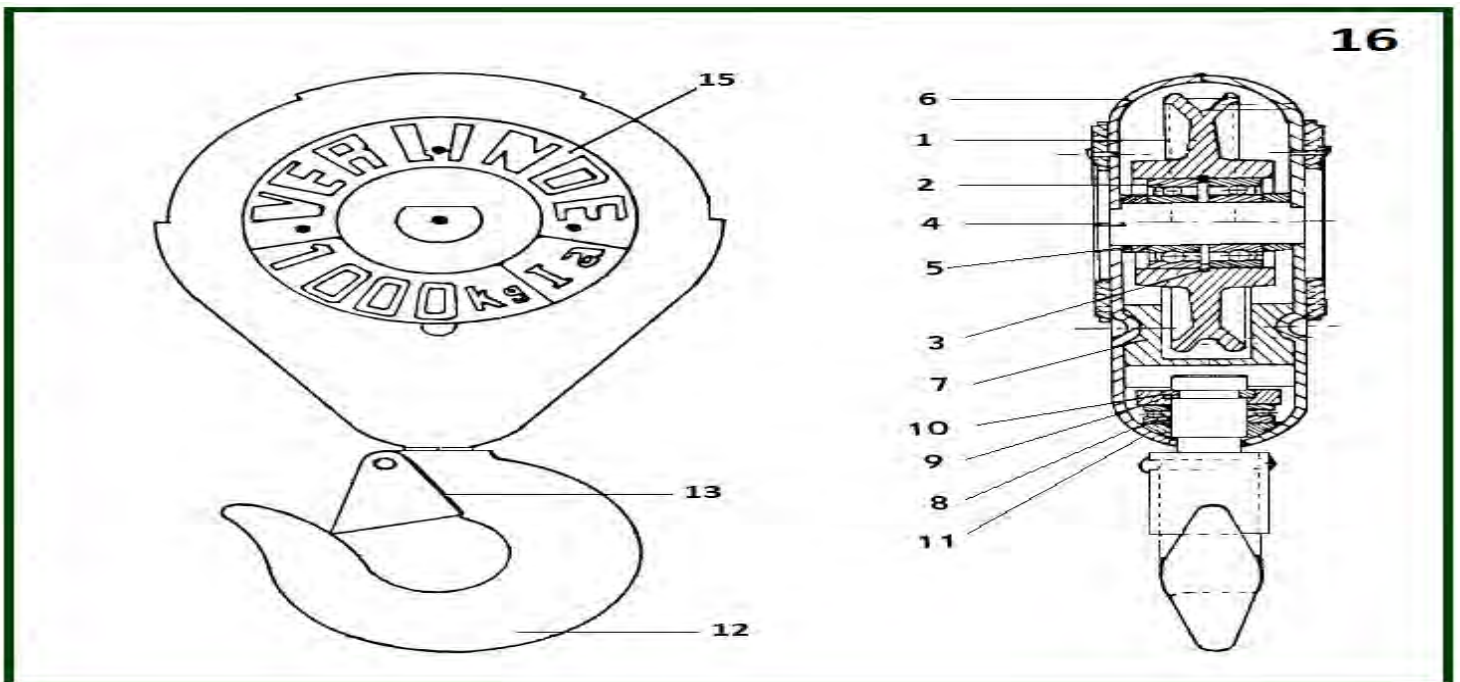
10) HOOK BLOCK 1/1



ITEM	REFERENCE	DESCRIPTION
1	5233610G	Hook block - 1 fall
2	7431062S	Thrust bearing
3	5233612J	Cylindrical dish, Rope Ø 11 & 12 mm
4	5233613K	Half segment ring, Rope Ø 11 & 12 mm
5	5233615N	Cap, Rope Ø 11 & 12 mm

6	7261080D	Internal circlip - Ø 80
7	5233302X	Axle, Rope Ø 11 & 12 mm
8	7217434N	Pointed screw, Rope Ø 11 & 12 mm
9	5233311G	Stirrup, Rope Ø 11 & 12 mm
10	5233312H	Rope anchor pin
11	7271404A	Split pin
12	7231122R	Washer MU12
13	5231410R	Rope anchorage
14	8536223D	Key cable, Ø 6.5 mm
14	8536224E	Key cable, Ø 8.5 mm
15	5233301W	Washer, Rope Ø 11 & 12 mm
16	3233310T	Complete hook block, Ø 6.5 mm
16	3243310N	Complete hook block, Ø 8.5 mm
-	SR32F	Safety catch (wire), Rope Ø 11 & 12 mm

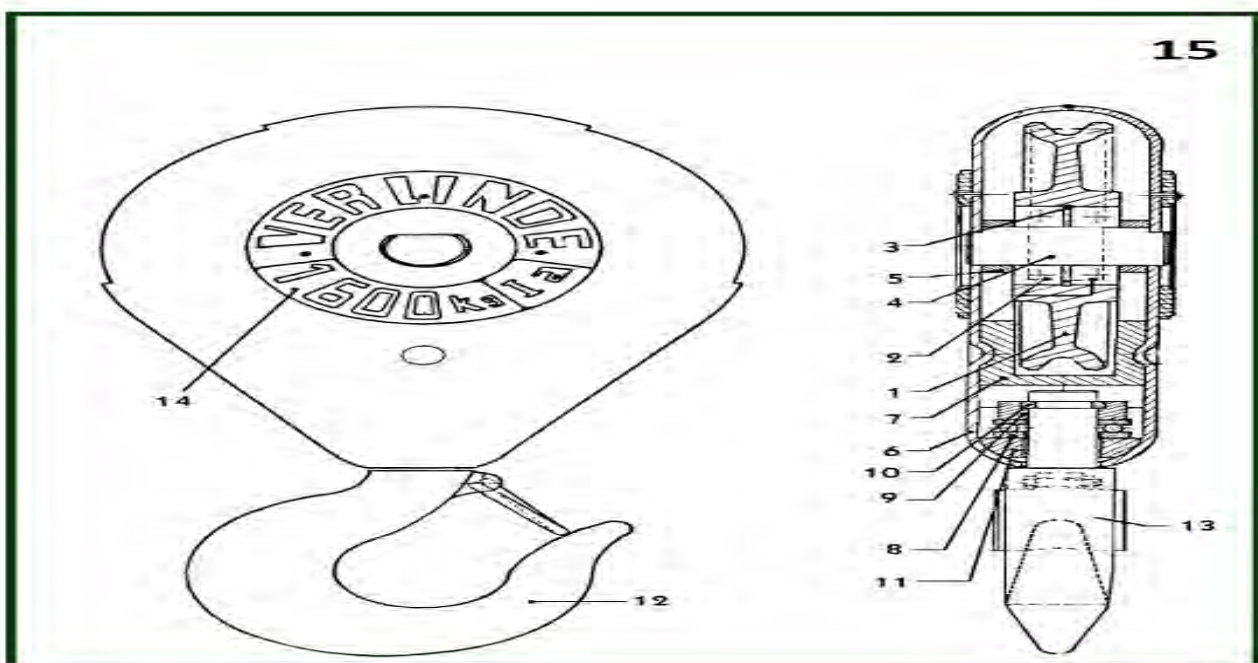
11) HOOK BLOCK 2/1 - 1000KG FOR EUROBLOCK AND RC



ITEM	REFERENCE	DESCRIPTION
1	5233420A	Pulley MV1537 150/133, C20
2	7412051C	Bearing, C20
3	7261052Y	Internal circlip, Ø 52
4	5233402F	Pulley axle

5	5233421B	Collar
6	5233403G	Semi-housing
7	8539231Y	Counterweight
8	7431051E	Thrust bearing
9	5243412L	Cylindrical dish
10	5243413N	Half segment ring
11	5233411R	Spherical dish
12	5233410Q	Hook with safety-catch only
13	SR20X	Safety catch to be welded
15	KP12A2	SWL plate 2 groups, Indicate the group
15	KP12A5	SWL plate sticker 500 Kg, Indicate the group
15	KP12A8	SWL plate sticker 800 Kg, Indicate the group
15	KP12A10	SWL plate sticker 1000 Kg, Indicate the group
16	3233410B	Complete hook block, Cable 6,5
-	7254409C	Blind
-	KP3C2	Name plate blank
-	KP3C1CD	Name plate VERLINDE
-	SR20XP	Safety catch to be bolted on hook

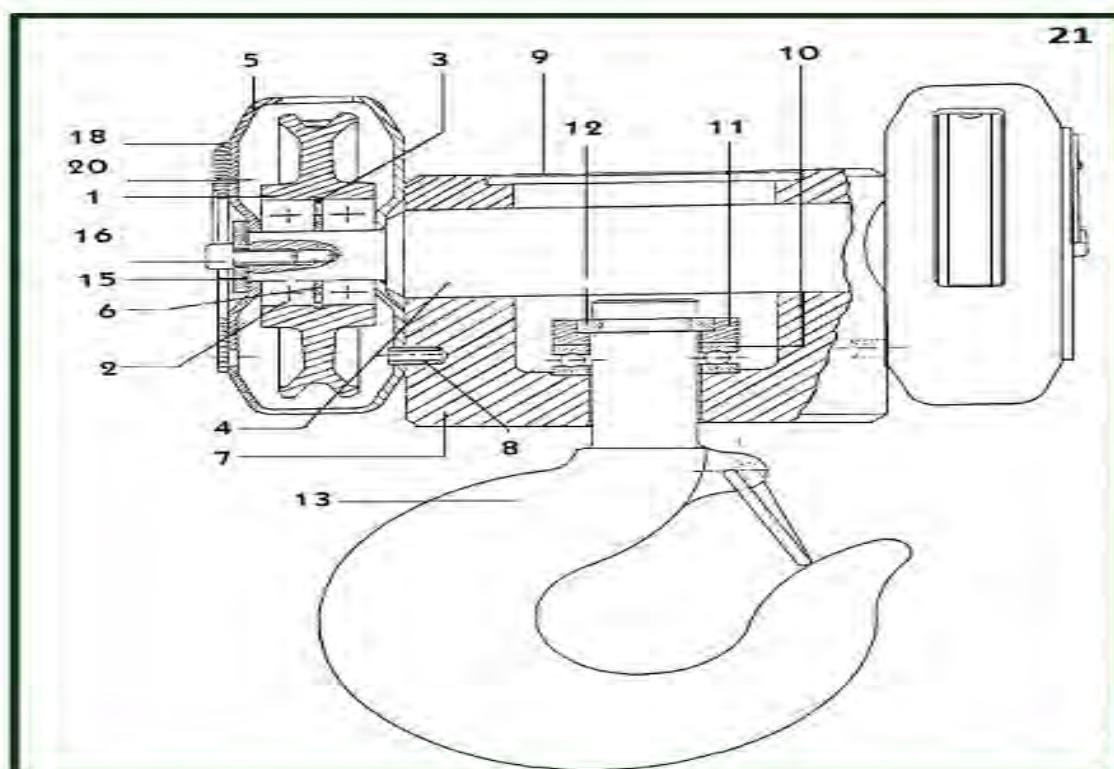
12) HOOK BLOCK 2/1 - 1600KG FOR EUROBLOC C AND RC



ITEM	REFERENCE	DESCRIPTION
1	5243420V	Pulley, C32 - MV1706 178/197

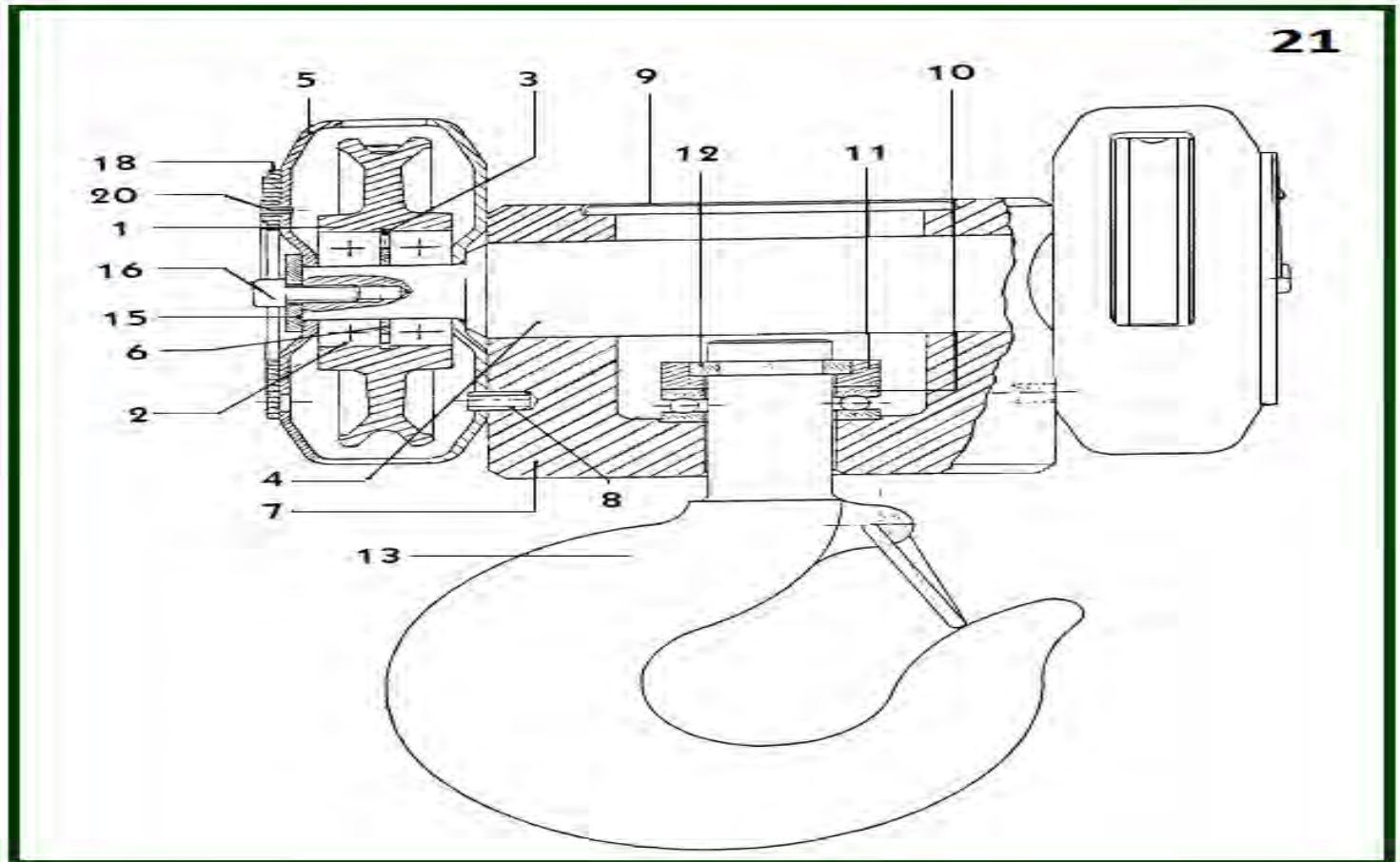
2	7412061P	Bearing, C32 - A,B
3	7261062J	Interior circlip, Ø 62
4	5243402A	Pulley axle
5	5243421W	Collar
6	5243403B	Semi-housing
7	8539241J	Counterweight
8	7431052F	Thrust ball bearing
9	5243412L	Cylindrical dish
10	5243413N	Half segment ring
11	5243411K	Spherical dish
12	5243410J	Hook with safety catch only
13	SR20XP	Safety catch to be bolted on hook
13	SR20X	Safety catch to be welded
13	SR160F	Safety clip
14	7254409C	Blind
14	KP3C2	Name plate blank
14	KP3C1CD	Name plate VERLINDE
14	KP12A16	SWL plate, 1600 kg
15	3243410W	Hook assembly - 2 falls, Rope Ø 8,5 mm

13) HOOK BLOCK 4/1 - 2000KG FOR EUROBLOC C AND RC



ITEM	REFERENCE	DESCRIPTION
1	5233420A	Pulley MV1537 150/133, C20
2	7412051C	Bearing, C20
3	7261052Y	Internal circlip, Ø 52
4	5233602Y	Axle
5	8651243A	Half hook block casing set
6	5233621U	Spacer ring, C20
7	5233606C	Hook block body
8	7273453C	MECANINDUS pin
9	5243615G	Cap
10	7431062S	Thrust bearing
11	5233612J	Cylindrical dish, Rope Ø 11 & 12 mm
12	5233613K	Half segment ring, Rope Ø 11 & 12 mm
13	5233610G	Hook block - 1 fall
13	SR32F	Safety catch (wire), Rope Ø 11 & 12 mm
13	SR30XP	Safety catch to be bolted on hook
13	SR40X	Safety catch to be welded
15	7285040X	Disc brake washer
16	7215455L	CHC screw 8 x 25, 25 x 25
18	KP3C2	Name plate blank
18	KP3C1CD	Name plate VERLINDE
18	KP12A20	SWL plate, 2000 kg
20	7254409C	Blind
21	3233610U	Complete hook block, Rope - Ø 6,5

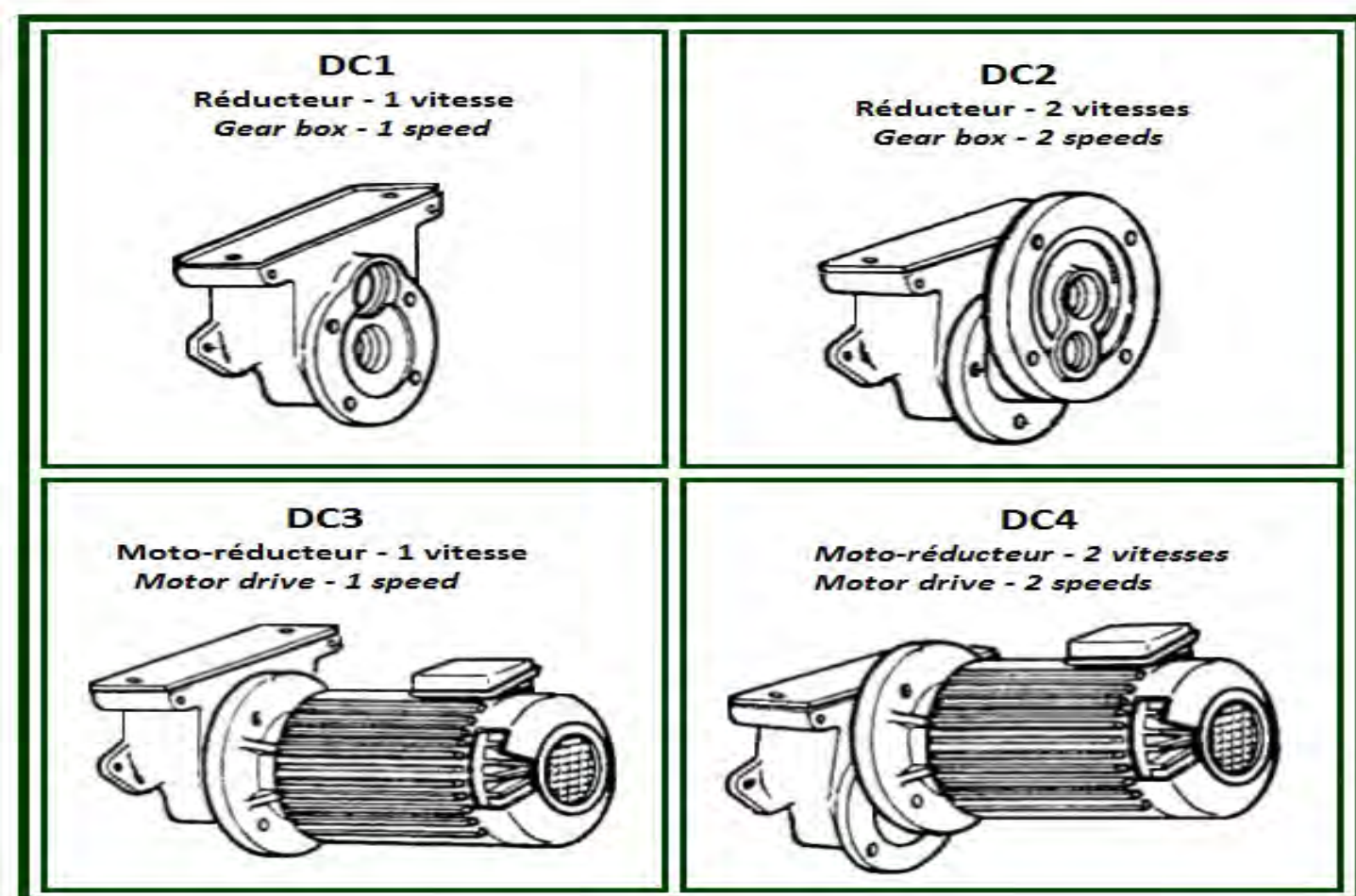
14) HOOK BLOCK 4/1 3200KG FOR EUROBLOC C -RC



ITEM	REFERENCE	DESCRIPTION
1	5243420V	Pulley, mC32 - MV1706 178/197
2	7412061P	Bearing, C32 - A, B
3	7261062J	Interior circlip, Ø 62
4	5243602T	Pulley axle, Before September 1989
4	5243607Y	Pulley axle, Before September 1989
4	5243603U	Set from semi-housing, Before September 1989
5	5243608Z	Set from semi-housing, Before September 1989
6	5243621P	Washer, C32
7	5243606X	Hook block body
8	7273453C	MECANINDUS pin
9	5243615G	Cap
10	7431081N	Thrust bearing
11	5243612D	Seating ring
12	5243613E	2-part collar
13	5243610B	Hook with safety catch

13	SR40F	Safety catch steel
13	SR40XP	Safety catch to be bolted on hook
13	SR40X	Safety catch to be welded
15	7285040X	Disc brake washer
16	820203	HM screw, C2
18	KP3C2	Name plate blank
18	KP3C1CD	Name plate VERLINDE
18	KP12A32	SWL plate, 3200 kg
20	7254409C	Blind
21	3243611Q	Complete hook block, Rope \varnothing 8,5

15) OLD GENERATION MOTOR GEAR



15.1) DC 1

ITEM	REFERENCE	DESCRIPTION
DC1	3434010V	Gear - 20 or 30m / mn - 17 teeth, D - 1 speed

15.2) DC 2

ITEM	REFERENCE	DESCRIPTION
DC2	3434012X	Gear - 7,5 m/mn or 15 m/mn - 17 teeth, E - 2 speeds
DC2	3434011W	Gear - 10 or 20/5 m/mn - 17 teeth, D – 2 speeds
DC2	3434015A	Gearbox - 2 speeds, B 15/3,75m/mn
DC2	3434014Z	Gearbox - 3 speeds, C 2,5 m/mn for 10/2,5 m/mn (PA 17 teeth)

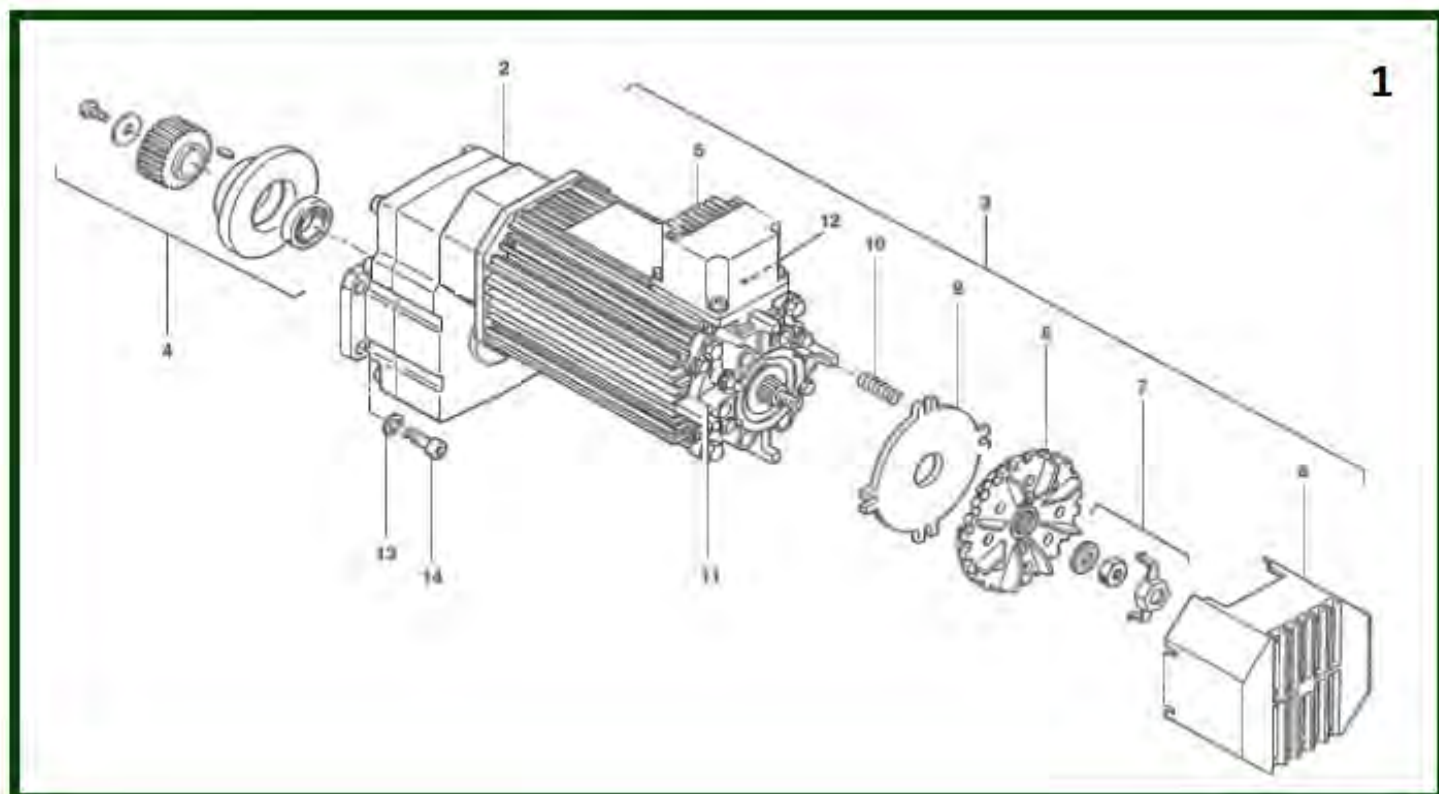
15.3) DC 3

ITEM	REFERENCE	DESCRIPTION
DC3	2537143Q	Motor gear 1 speed, 10 m/mn - 220/380V
DC3	2537113G	Motor gear, 2,5 m/mn
DC3	2437321N	Motor gear, 5 m/mn - 220/380V
DC3	2537133D	Motor gear, 7,5 m/mn
DC3	2537153A	Motor gear, 15 m/mn
DC3	2537163L	Motor gear, 20 m/mn - 220/380V
DC3	2437161P	Motor gear, 30 m/mn - 220/380V

15.4) DC 4

ITEM	REFERENCE	DESCRIPTION
DC4	7350151V	Brake motor LS71 FCR 180V, 0,25Kw 1000t/mn, Br/FI 140 - BA/OS 14x30, 230V/400V 50Hz
DC4	7350271A	Brake motor LS71 FCR 180V, 0,37Kw 1500t/mn, Br/FI 200 - BA/OS 14x30, 230V/400V 50Hz
DC4	7352401R	Brake motor LS71 FCR 180V, 0,55/0,12Kw 3000/750t/mn, Br/FI 200 - BA/OS 14x30, 230V/380V 50Hz
DC4	7350272B	Brake motor LS71 FCR, 0,37Kw 1500t/mn, Br/FI 140 - BA/OS 14x30,230V/400V 50Hz
DC4	7352011S	Brake motor LS80 FCR 180V, 0,18Kw 750t/mn, EA-E - E HPR72, Br/FI 165/200 - BA/OS 14x30, 230V/400V 50Hz
DC4	7350771U	Motor - 1 speed - LS71FAST0.37Kw, Bride 165/200 Ba 14x30 1500t/mn 240/415V - Not any more supplied
DC4	2537263V	Motor gear, 20/5 m/mn - 220/380V

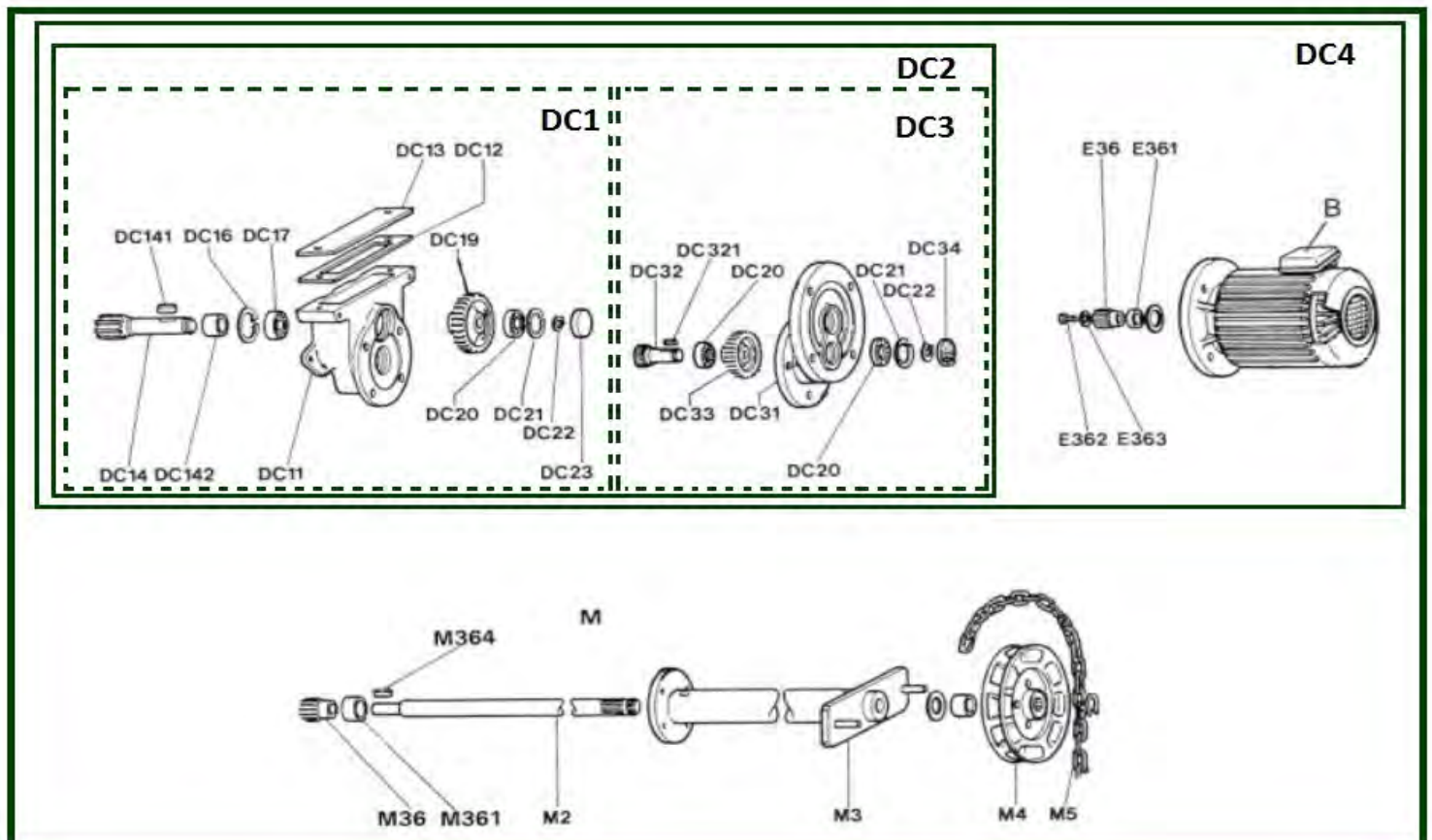
16) NEW GENERATION MOTOR GEAR



ITEM	REFERENCE	DESCRIPTION
1	15080112	Motor gear 10/2,5 m/min 220 V, MF07
1	15080113	Motor gear 10/2,5 m/min 380 V, MF07
1	15080114	Motor gear 10/2,5 m/min 415 V, MF07
1	15080122	Motor gear 20/5 m/min 220 V, MF07
1	15080123	Motor gear 20/5 m/min 380 V, MF07
1	15080124	Motor gear 20/5 m/min 415 V, MF07
1	15080132	Motor gear 30/7,5 m/min 220 V, MF07
1	15080133	Motor gear 30/7,5 m/min 380 V, MF07
2	15034010	Gearbox, 10/2,5 m/min GS340 RPL
2	15032020	Gearbox, 20/5 m/min GS320 RPL
2	15031330	Gearbox, 30/7 m/min GS313RPL
3	25808104	Travelling motor MF07LA14, 3000/750t/mn-415V/50Hz-W415V-0,25/0,06kw, Wieland plug before April 1999
3	25808102	Travelling motor MF07LA104, 3000/750t/mn-220V/50Hz-0,25/0,06Kw, Wieland plug before April 1999
3	25808103	Travelling motor MF07LA104, 3000/750t/mn - 380V/50Hz - 0,25/0,06kw, Wieland plug before April 1999

3	25809103	Travelling motor MF07LB104+PTC, 3000/750t/mn - 380V/50Hz - 0.25/0.06kw, Wieland plug before April 1999
4	15002050	Motor gearbox pinions set, Type C - 27 teeth
4	15803204	Set of bearings, Gear GS 313-315-320-325-332 RPL
4	15803205	Set of bearings, Gear GS 340 RPL
4	15803206	Set of Sealing, Gear GS2-GS3
5	15522001	Complete connecting box plastic
6	15822001	Fan cover
7	15823005	Brake disc locking set
8	15823004	Brake wheel with friction material
9	15823003	Fixed braking armature
10	15823002	Spring set 6 parts, MF07LA104/2NM: qty 3, MF07LA206/2.6NM: qty 4, MF07LB104/2.6NM: qty 4, MF07ZC104/4NM: qty 6, MF07S104/2NM: qty 3
11	15823001	Brake coil with holder, 170V
12	15823007	Rectifier, motors 220V
12	15823006	Rectifier, motors 380 to 550V
13	7232100D	Narrow Grower washer -10mm, DIN12
14	7215555V	BTR screw 10 x 25

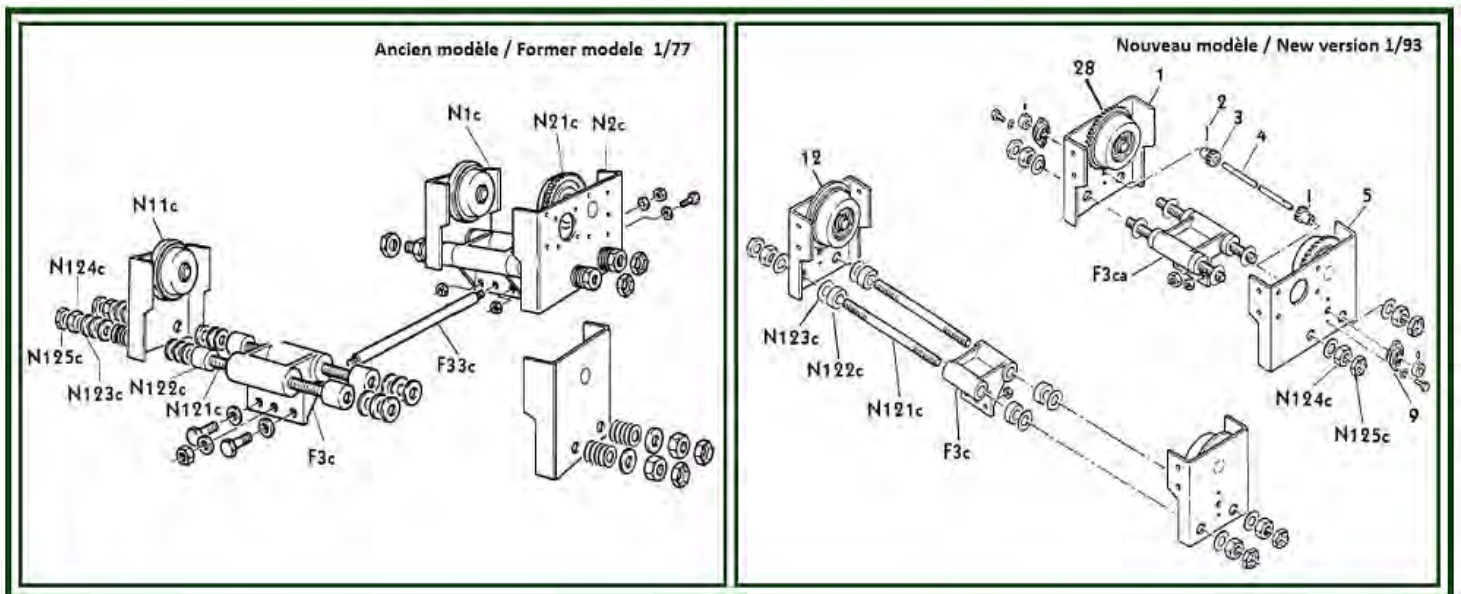
17) ELECTRIC TRAVEL AND CHAIN TRAVEL



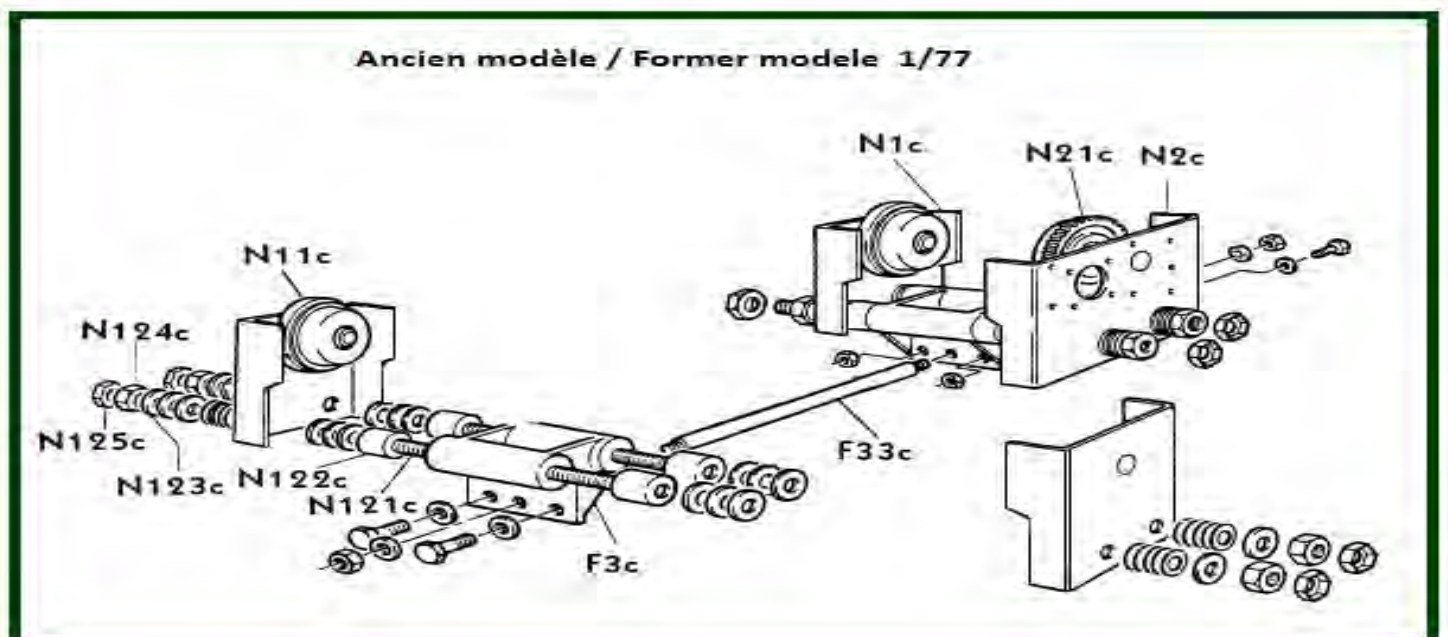
ITEM	REFERENCE	DESCRIPTION
-	8913045T	Lubricant 1,5kg MULTIS EP200 gear/travelling gear C, D, E, F EUROCHAIN 1, 2, 3
B	BR288	Motor connecting box
DC11	5434104K	Gear case, 1 speed
DC12	5434103J	Seal
DC13	5434105L	Cover
DC14	5534211X	Drive pinion - 17 teeth, HPR72
DC14	5434212C	Drive pinion - 17 teeth, Model 77
DC16	300077	Interior circlip, D et DA - I/77 - Ø 47
DC17	7412045W	Bearing
DC19	5434201R	Gear - 93 teeth
DC20	7415040B	Bearing
DC20	7464510Y	Seal SIMRIT, 20 for 30 m/mn - 5-10 for 20/5
DC20	7460710T	Seal SIMRIT, 30/7.5 m/mn
DC21	7261042N	Interior circlip
DC23	5434203T	Sealing cap
DC31	5434501S	Gearcase 2 speeds
DC32	5434611L	Pinion shaft - 23 teeth
DC33	5434602B	Gear - 64 teeth, 30/7.5 m/mn
DC33	5434601A	Gear - 69 teeth, 5-10-20/5 m/mn
DC34	5434603C	Cover 42
DC321	7282062K	Pinion key - 23 teeth, 2 BR 6x6x20
E36	5438101E	Motor pinion - 23 teeth, EA-E - E HPR72 - Bore 14 - A,D
E36	5438103G	Motor pinion - 32 teeth, EA-E - E HPR72 - Bore 14 - B,C,E
E361	5438111R	Pinion collar - 23 teeth, EA-E - E HPR72 - A,D
E361	5438112S	Pinion collar - 32 teeth, EA-E - E HPR72 - B,C,E
E362	830010	HM screw 5 x 20
E363	5438121B	End shaft washer - Ø 5
M1	5433203F	Pinion 17 teeth, All types
M2	5433202E	Drive shaft, HPN 1/77-HPN/1/93
M2	5533202A	Drive shaft, HPR 1/77
M2	15037005	Drive shaft, HPR 1/93
M3	5533203B	Support tube, HPN 1/77HPN 1/93

M3	5543203W	Support tube – LHT, Low Headroom Trolley
M3	5533204C	Support tube – NHT, Normal Headroom Trolley
M4	5433215U	Chain wheel, All types
M5	7402626H	Chain 5 x 27.1, According to raised height
M43	830860	Exterior circlip - Ø 20, C2
M	3533211X	Chain drive, HPN 1/77
M	15001041	Chain drive, HPN 1/93
M	3533212Y	Chain drive, HPR 1/77
M	3533213Z	Chain drive, HPR 1/93

18) TROLLEY 1/77 AND 1/93

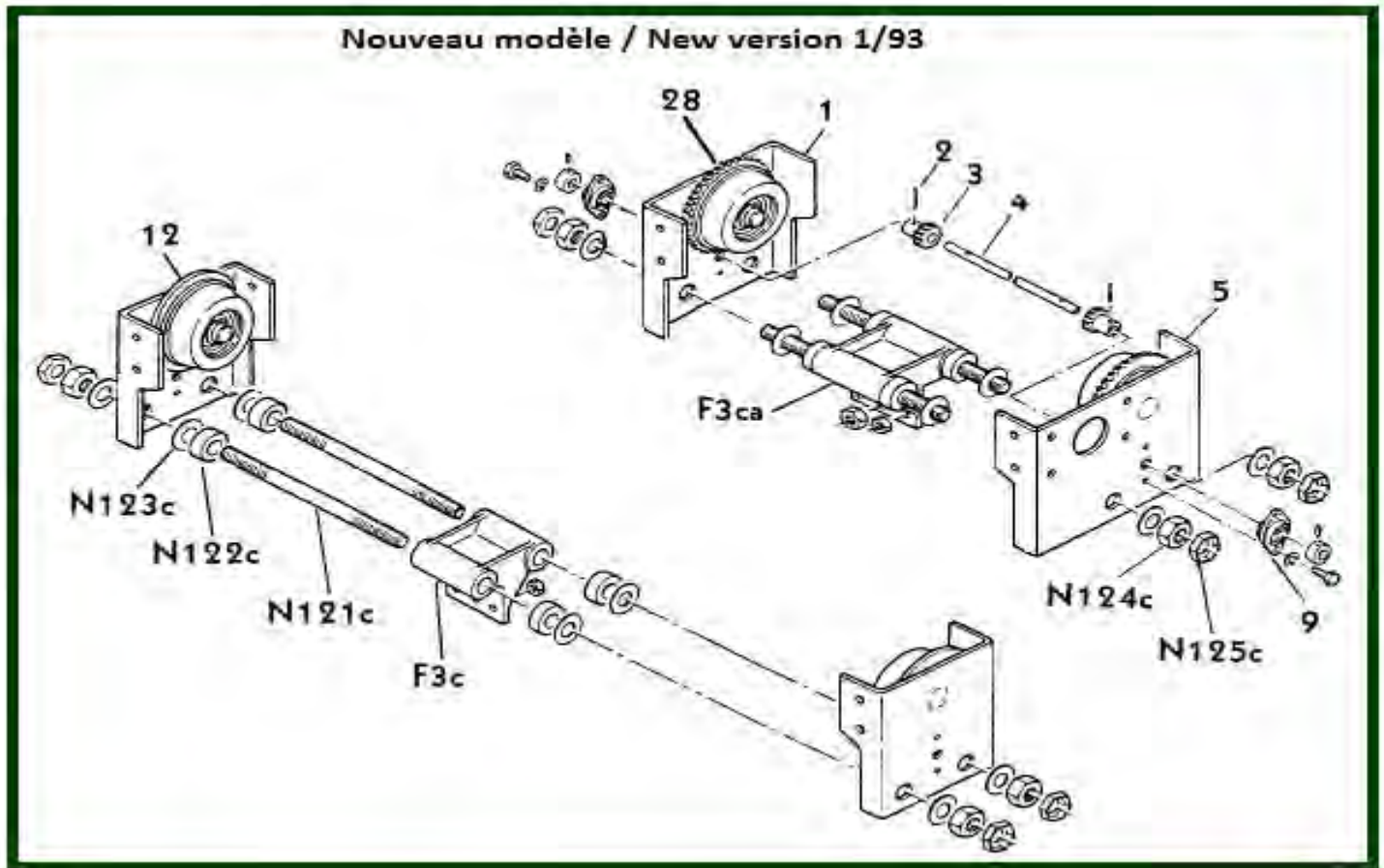


18.1) TROLLEY 1/77 - FORMER MODELS



ITEM	REFERENCE	DESCRIPTION
-	5532255W	Coupling bracket, Only C325L
-	5532253U	Crosshead, Only C325L
F3c	5532252T	Suspension plate
F33c	5532254V	Suspension bar, Only C325L
F33c	5532206T	Suspension bar L
F33c	5532205S	Suspension bar N
F33c	5532207U	Suspension bar SL
N1c	5531111C	Ungeared side plate only with axle, version I/77
N1c	3531111Q	Ungeared side plate with wheel, version I/77
N2c	5531311V	Geared side plate only with axle, version I/77
N2c	3531311G	Geared side plate wheel, Model I/77
N11c	4531111W	Ungeared wheel with bearing without axle, I/77 - Ø 100/127
N21c	4531311P	Geared wheel with bearing without axle, I/77 - Ø 100/127
N121c	5432101H	Spacer, Lg 280 - Ø 24
N121c	5432102J	Spacer, Lg 375 - Ø 24
N121c	5432103K	Spacer, Lg 410 - Ø 24
N121c	5432107Q	Spacer, Lg 500 - Ø 24
N122c	5432116Z	Spacer collar, ép. / th 26 mm
N122c	5432117A	Spacer collar, ép. / th 49 mm
N123c	7231241V	Adjustment washer, Ep. / Th 3 mm
N123c	7152411K	Washer, 1 mm
N123c	7152421W	Washer, 2 mm
N124c	7221240Z	Nut
N125c	7223240Y	PAL nut

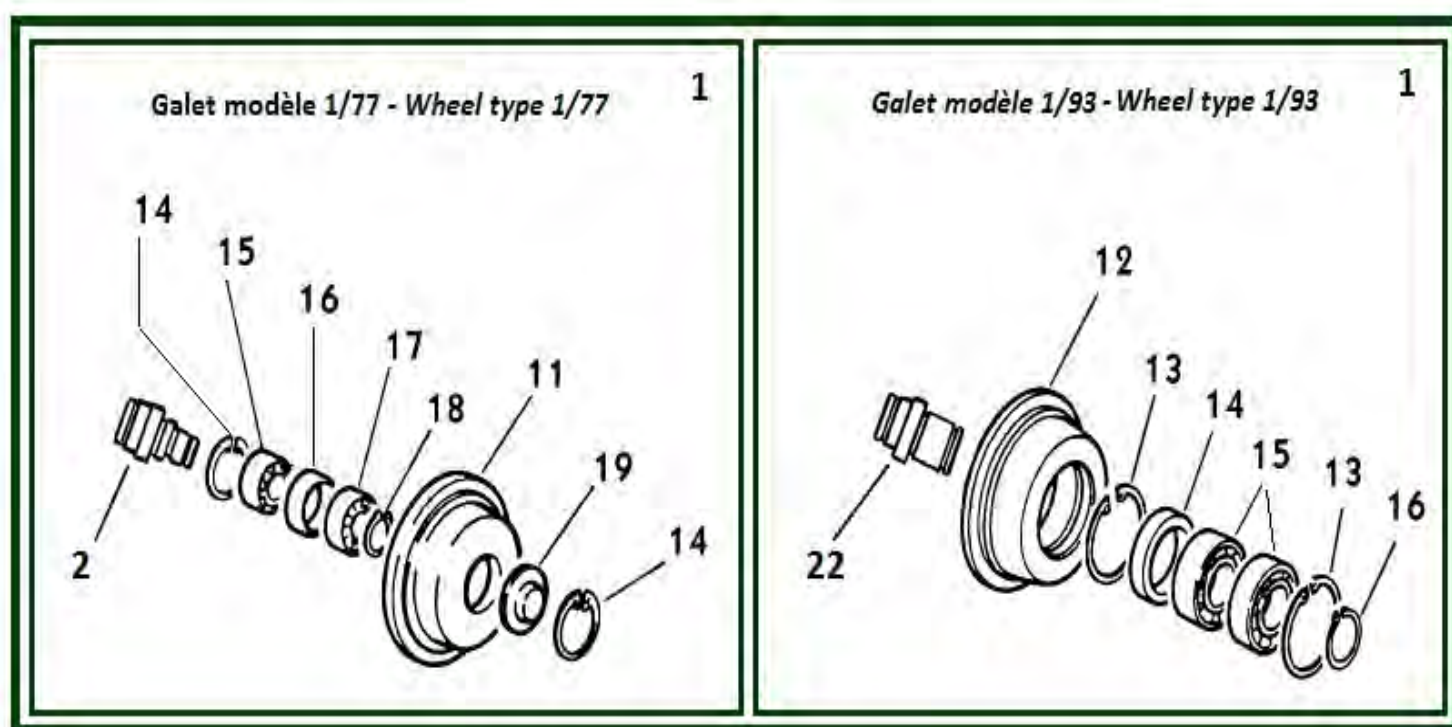
18.2) TROLLEY 1/93 - NEW VERSION



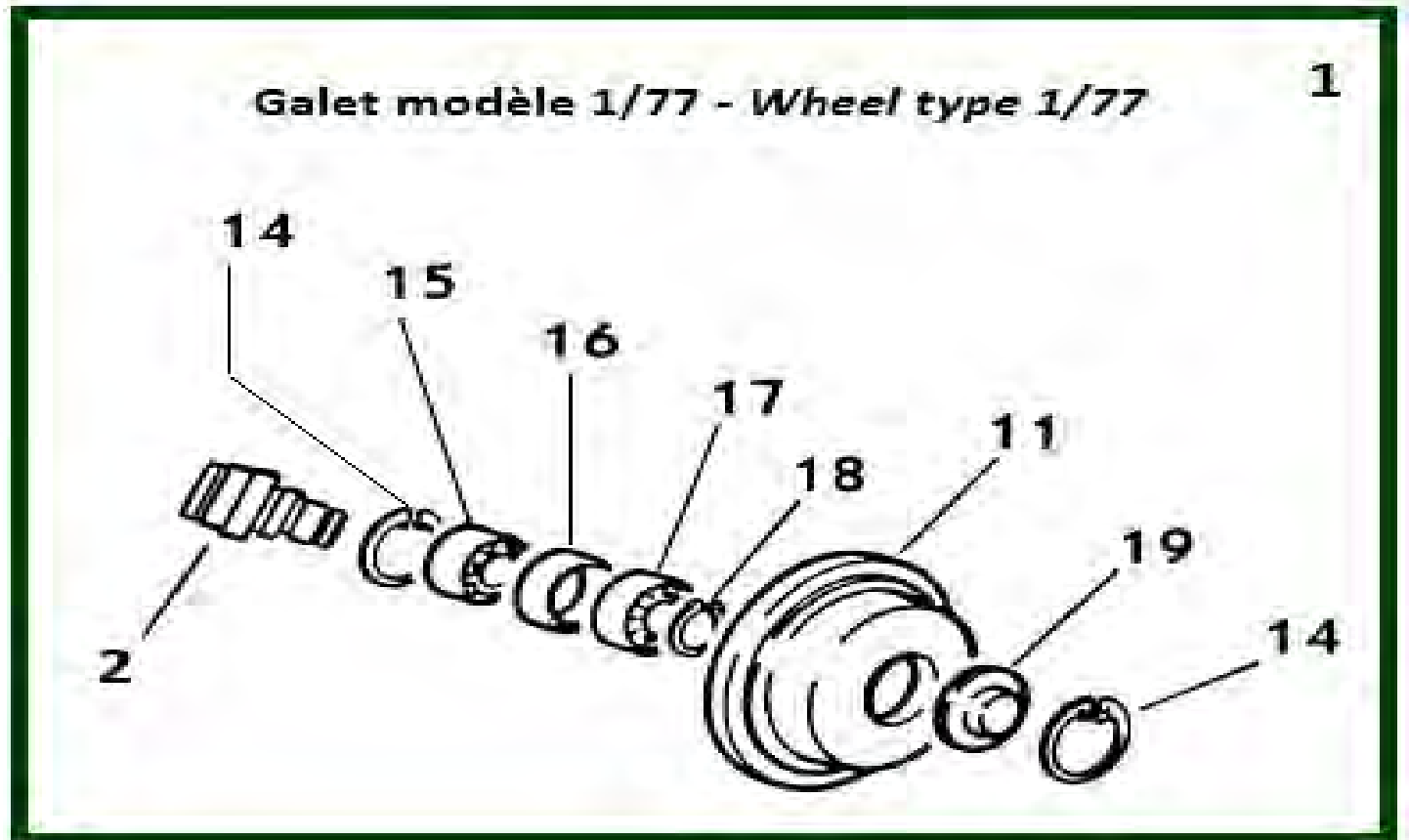
ITEM	REFERENCE	DESCRIPTION
1	15025001	Ungeared side plate only with axle, Motor LS
1	15001003	Ungeared side plate with wheel, Version 07/89
2	7273255N	Pin
3	15020001	Drive pinion, 18 teeth
4	15015005	Drive shaft, Lg 446 mm
4	15015001	Jackshaft, Lg 249
4	15015002	Jackshaft, Lg 296
4	15015004	Jackshaft, Lg 394
4	15015003	Return shaft, Lg 346mm, Width less or equal than 200mm
5	15025002	Geared side plate only with axle, Motor LS 07/89
5	15001002	Geared side plate wheel, Version LS 07/89
5	15001013	Side plate + driving wheel, MF 07 - 1/93
5	15025011	Side plate only + axle, MF 07 - 1/93
9	7447101A	Bearing
12	15001004	Ungeared complete wheel without axle, Ø 100 - Model 89

27	15001001	Ung geared side plate with wheel, 1/93
28	15001005	Geared complete wheel without axle, Ø 100 - Model 89
-	5532255W	Coupling bracket, Only C325L
-	5532253U	Crosshead, Only C325L
-	7541312D	Limit switch - 1 step, C1-C2-C3
-	5532254V	Suspension bar, Only C325L
F3c	5532252T	Suspension plate
F3ca	14103-3197	Suspension plate, Side synchro
N121c	5432101H	Spacer, Lg 280 - Ø 24
N121c	5432102J	Spacer, Lg 375 - Ø 24
N121c	5432103K	Spacer, Lg 410 - Ø 24
N121c	5432107Q	Spacer, Lg 500 - Ø 24
N122c	5432116Z	Spacer collar, Th 26 mm
N122c	5432117A	Spacer collar, Th 49 mm
N123c	7231241V	Adjustment washer, Th 3 mm
N123c	7152411K	Washer, 1 mm
N123c	7152421W	Washer, 2 mm
N124c	7221240Z	Nut
N125c	7223240Y	PAL nut

19) WHEELS 1/77 AND 1/93

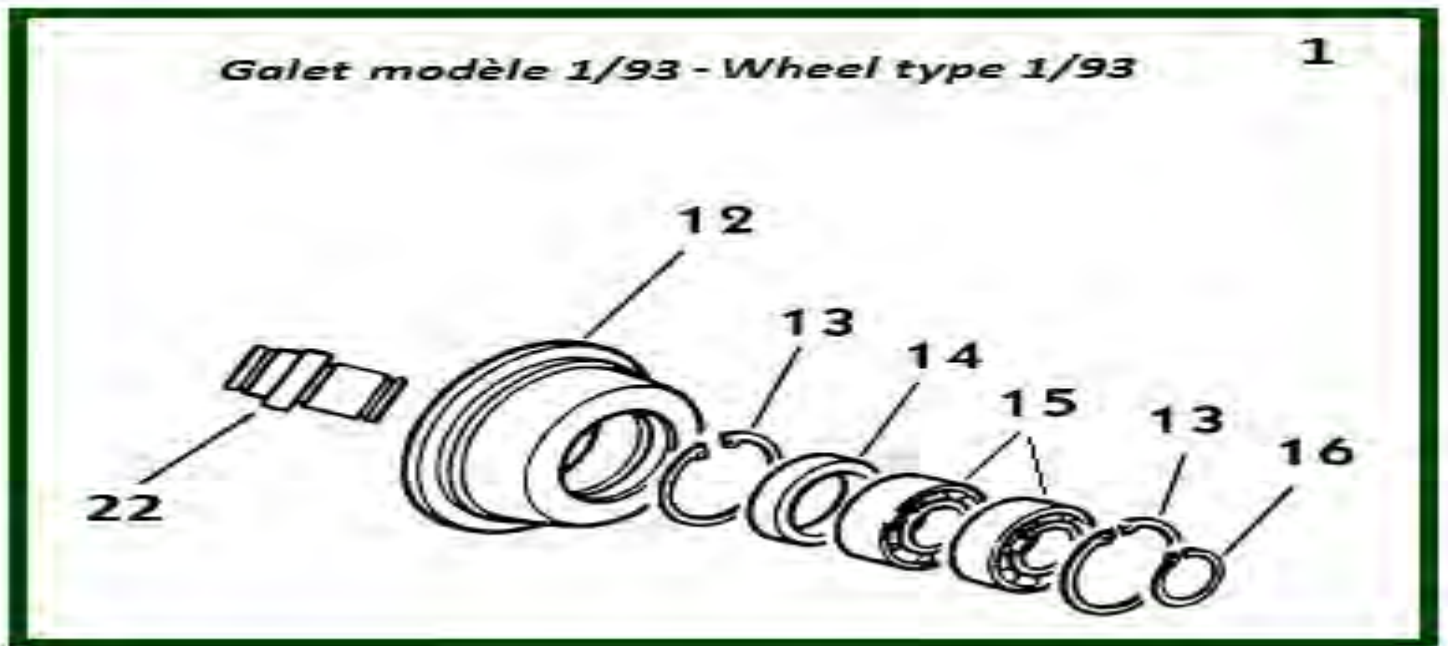


19.1) WHEELS 1/77



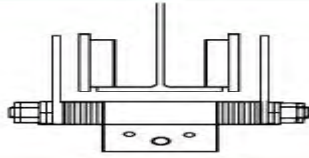
ITEM	REFERENCE	DESCRIPTION
1	4531311P	Geared wheel with bearing without axle, 1/77 - Ø 100/127
1	4531111W	Ungeared wheel with bearing without axle, 1/77 - Ø 100/127
2	6531104B	Runner axle, 1/77
11	5531351P	Geared wheel only, 1/77
11	5531151W	Ungeared wheel only, 1/77
14	300077	Interior circlip, D et DA - 1/77 - Ø 47
15	7410051D	Bearing, 1/77
16	5431152B	Spacer collar, 1/77
17	7412040R	Ball bearing - LS 90
18	7262020A	External circlip, Ø 30 - 1/77
19	5431153C	Cover, 1/77

19.2) WHEELS 1/93



ITEM	REFERENCE	DESCRIPTION
1	15001005	Geared complete wheel without axle, Ø 100 - Model 89
1	15001004	Ungeared complete wheel without axle, Ø 100 - Model 89
12	15011002	Geared wheel only, Model 07/89
12	15011001	Ungeared wheel only, Model 07/89
13	7261055B	Interior circlip, Model 07/89
14	15017001	Spacer collar, Model 07/89 - Ep. / Th. 26 mm
15	7410065U	Bearing, Model 07/89 - Ep. / Th. 49 mm
16	100051	External circlip - Ø 30, VS2....O (VSX)
22	15016001	Runner axle, Model 07/89

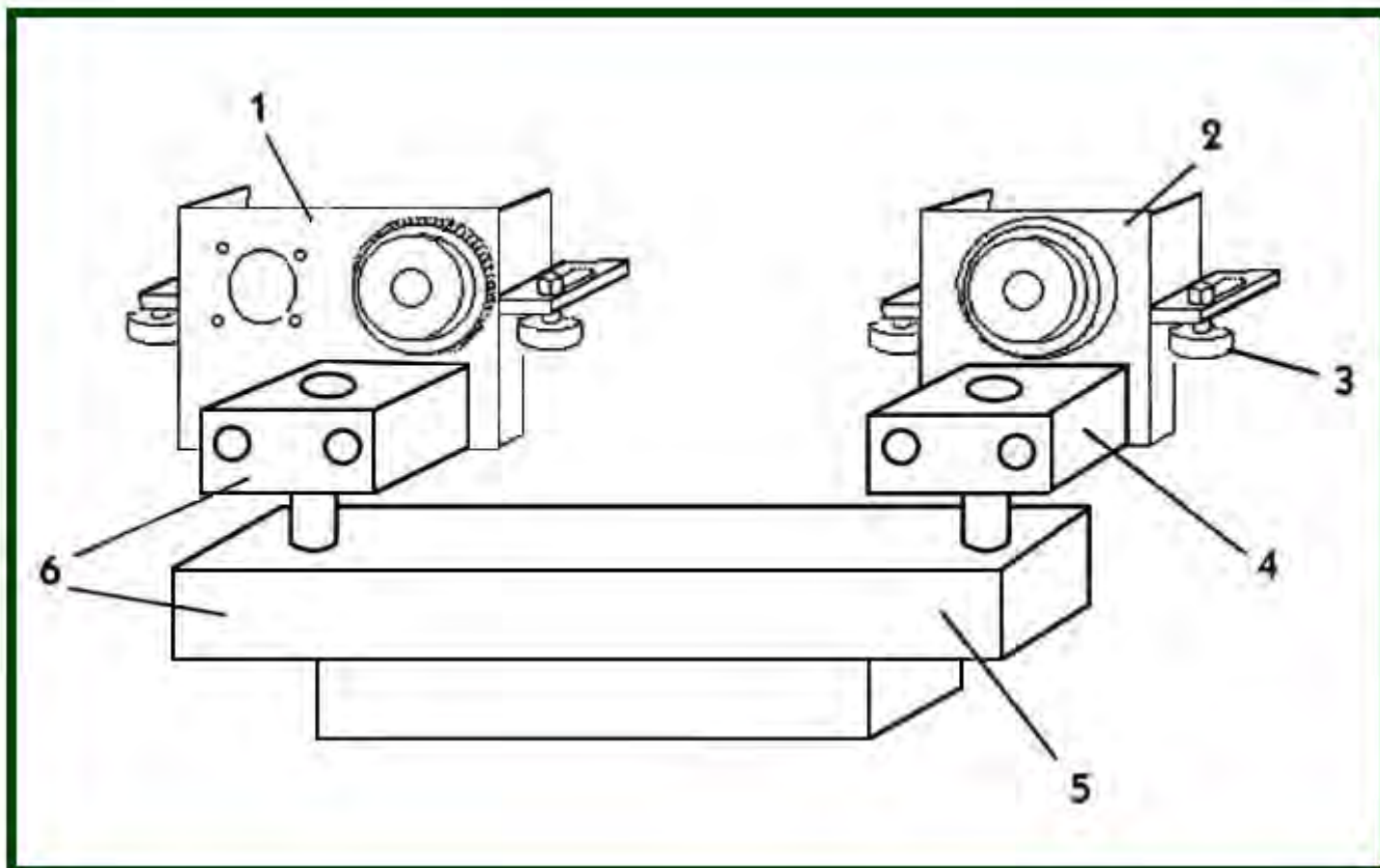
20) 1/77 AND 1/93 TROLLEY SETTING TABLE



TRAVERSES / CROSSHEAD : Voir chap 18 repères F3c et F3ca / See chap 18, items F3c and F3ca

LARGEUR DU FER DE / ROULEMENT RUNNING BEAM WIDTH mm	TIRANT / TIE ROD Ø 24 Longueur / Length	NOMBRE TOTAL DE BAGUES TOTAL SPACER RING QUANTITY		NOMBRE TOTAL DE RONDELLES TOTAL WASHER QUANTITY		
		Epaisseur / Thickness 26 mm	Epaisseur / Thickness 49 mm	Epaisseur / Thickness 1 mm	Epaisseur / Thickness 2 mm	Epaisseur / Thickness 4 mm
66	280	0	0	0	1	0
72				0	0	0
73				0	0	1
74				0	0	0
75				0	0	0
81				0	0	0
82				0	0	2
89				0	0	0
90				0	0	3
91				0	0	0
98				0	0	4
100	0	0	0			
106	0	0	5			
108	0	0	0			
110	0	0	0			
113	0	0	6			
118	375	1	1	0	0	0
119				1	0	0
120				0	0	1
125				1	0	0
131				0	0	2
133				1	0	0
135				0	0	1
137				0	0	0
143				1	0	3
147				0	0	0
150				0	0	4
155	0	0	1			
158	0	0	0			
160	0	0	5			
163	410	0	1	1	0	0
168				0	0	0
170				0	0	1
178				0	0	1
180				0	0	0
185				1	0	0
188				0	0	3
190				0	0	1
195				0	0	0
198				0	0	4
200				0	0	5
210	0	0	6			
212	500	1	1	0	0	0
214				1	0	0
216				0	0	0
218				1	0	1
220				0	0	0
222				0	0	0
224				1	0	1
226				0	0	0
228				1	0	0
230				0	0	0
232				0	0	2
234	1	0	1			
236	0	0	0			
238	1	0	0			
240	0	0	3			
242	1	0	1			
244	0	0	0			
246	1	0	0			
248	0	0	4			
250	1	0	1			
252	0	0	0			
254	1	0	0			
256	0	0	5			
258	1	0	1			
260	0	0	0			
262	0	0	1			
264	1	0	0			
266	0	0	0			
268	1	0	1			
270	0	0	0			
271	1	0	1			
274	0	0	0			
276	1	0	0			
278	0	0	2			
280	1	0	1			
282	0	2	0			
284	1	0	0			
286	0	0	3			
288	1	0	1			
290	0	0	0			
292	1	0	0			
294	0	0	4			
296	1	0	1			
298	0	0	0			
300	1	0	5			

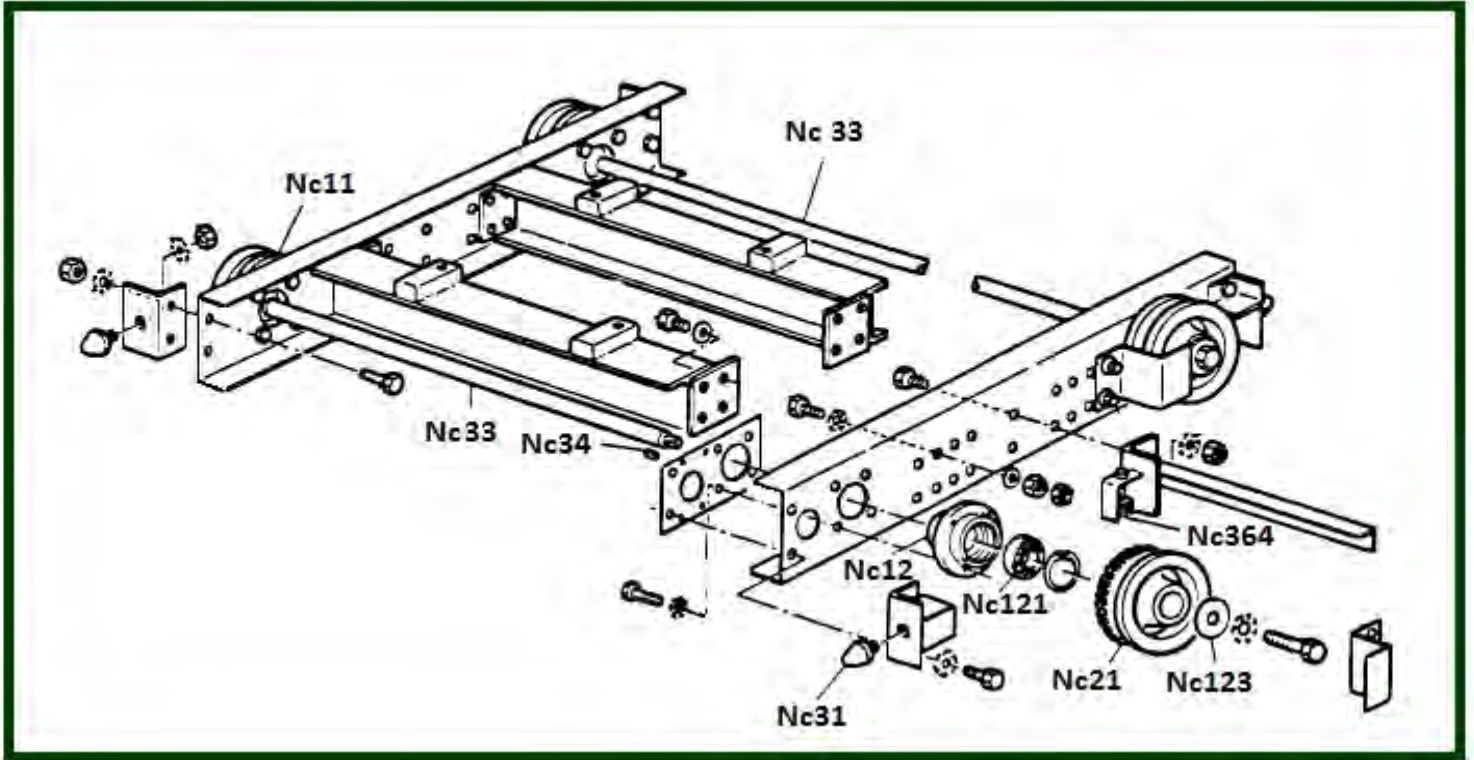
21) SWIVELLING TROLLEY



ITEM	REFERENCE	DESCRIPTION
1	3501310X	Geared side plate complete, Motor LS 1/77
1	5501310K	Geared side plate with axle and support, Motor LS 1/77
2	3501110E	Side plate
2	5501110T	Ung geared side plate only with welded axle
3	5501203U	Axle
3	7412045W	Bearing
3	4501211W	Guiding wheel set
3	5501207Y	Wheel
4	5502103X	Cross bar only
5	5502107B	Crosshead L
5	5502106A	Crosshead N
5	5502108C	Crosshead SL
-	7431063T	Thrust ball bearing
-	7431062S	Thrust bearing

-	15025017	Geared side plate, Motor MF07 1/94
-	15025016	Ungearred side plate
-	15001047	Complete geared side plate, Motor MF07 1/94
-	15001046	Complete ungeared side plate

22) DOUBLE GIRDER TROLLEY



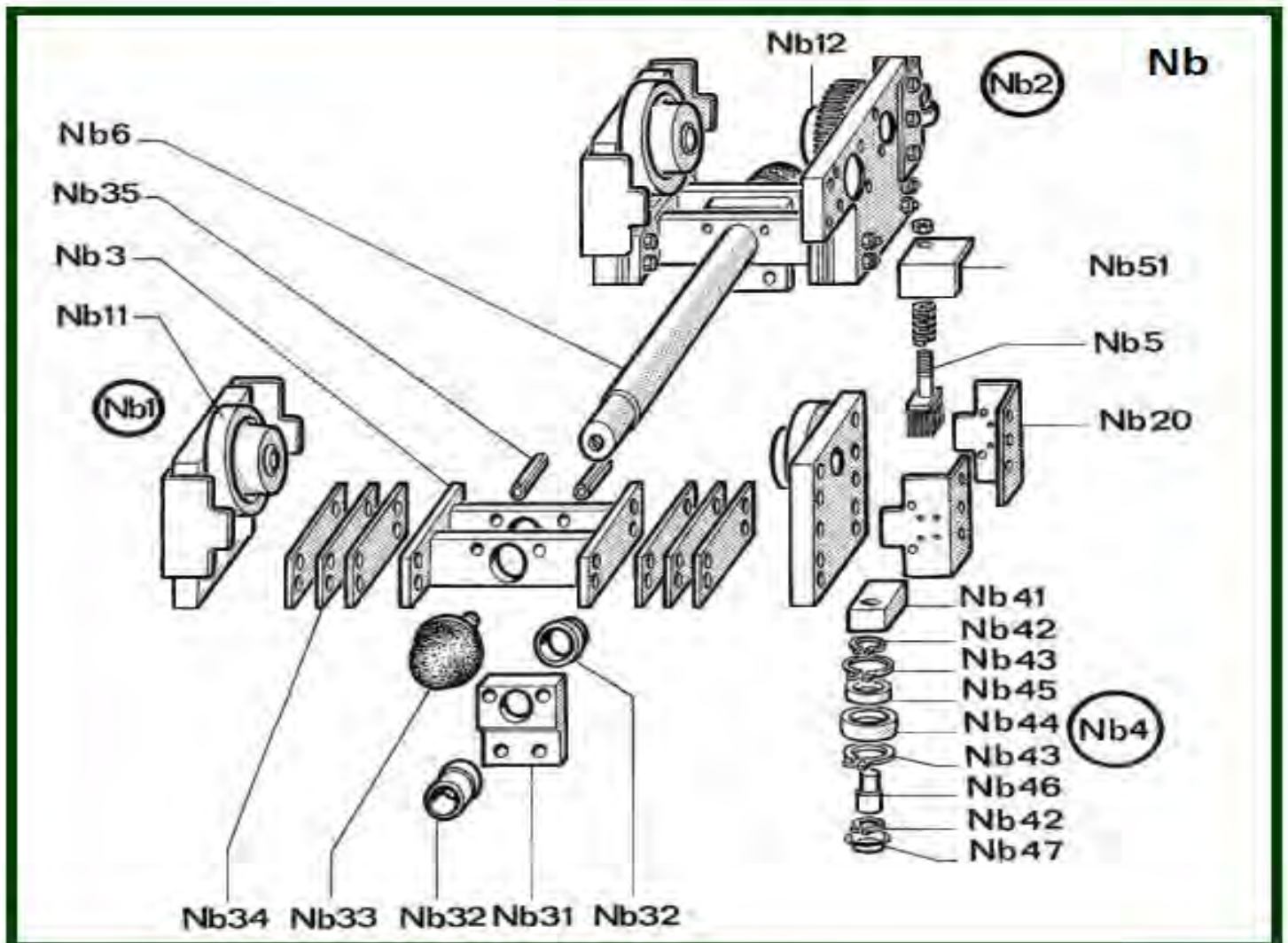
22.1) WHEEL - Ø 200

ITEM	REFERENCE	DESCRIPTION
NC11	5571151Z	Idler runner - Ø200, Since 06 / 83
NC12	5571010W	Bearing housing, Since 06 / 83
NC21	5571351S	Driven runner - Ø200 -76 teeth, Since 06 / 83 , 71 mm
NC31	7910802Y	Rubber buffer, Ø 80
NC33	5572214E	Shaft - 1,4m
NC33	5572210A	Shaft groove - 1m
NC34	7281142K	Key
NC121	7425100L	Bearing
NC123	5571012Y	Washer
NC364	7661106Q	Earth brush, C1-C2-C3 - D & DA - 75 amp.

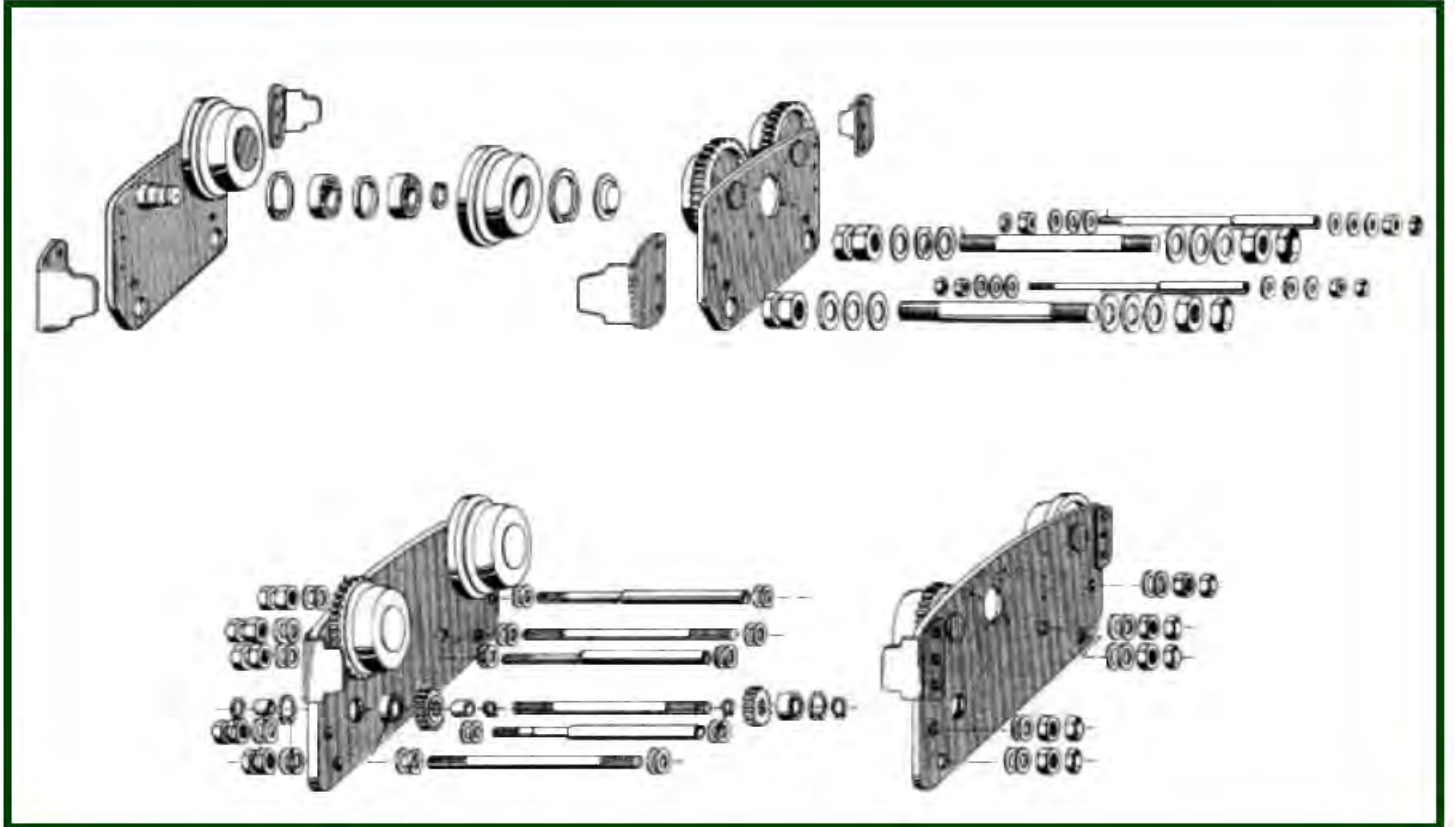
22.2) WHEEL - Ø 160

ITEM	REFERENCE	DESCRIPTION
NC11	5471151D	Idler runner - Ø160
NC12	5571010W	Bearing housing, Since 06 / 83
NC21	5471352X	Driven runner - Ø160
NC31	7910802Y	Rubber buffer, Ø 80
NC33	5472221S	Shaft - 1,4m, Wheel Ø160
NC33	5472221F	Shaft - 1m, Wheel Ø160
NC34	7281142K	Key
NC121	7417085Z	Bearing, Wheel Ø160
NC123	5571012Y	Washer
NC364	7661106Q	Earth brush, C1-C2-C3 - D & DA - 75 amp.

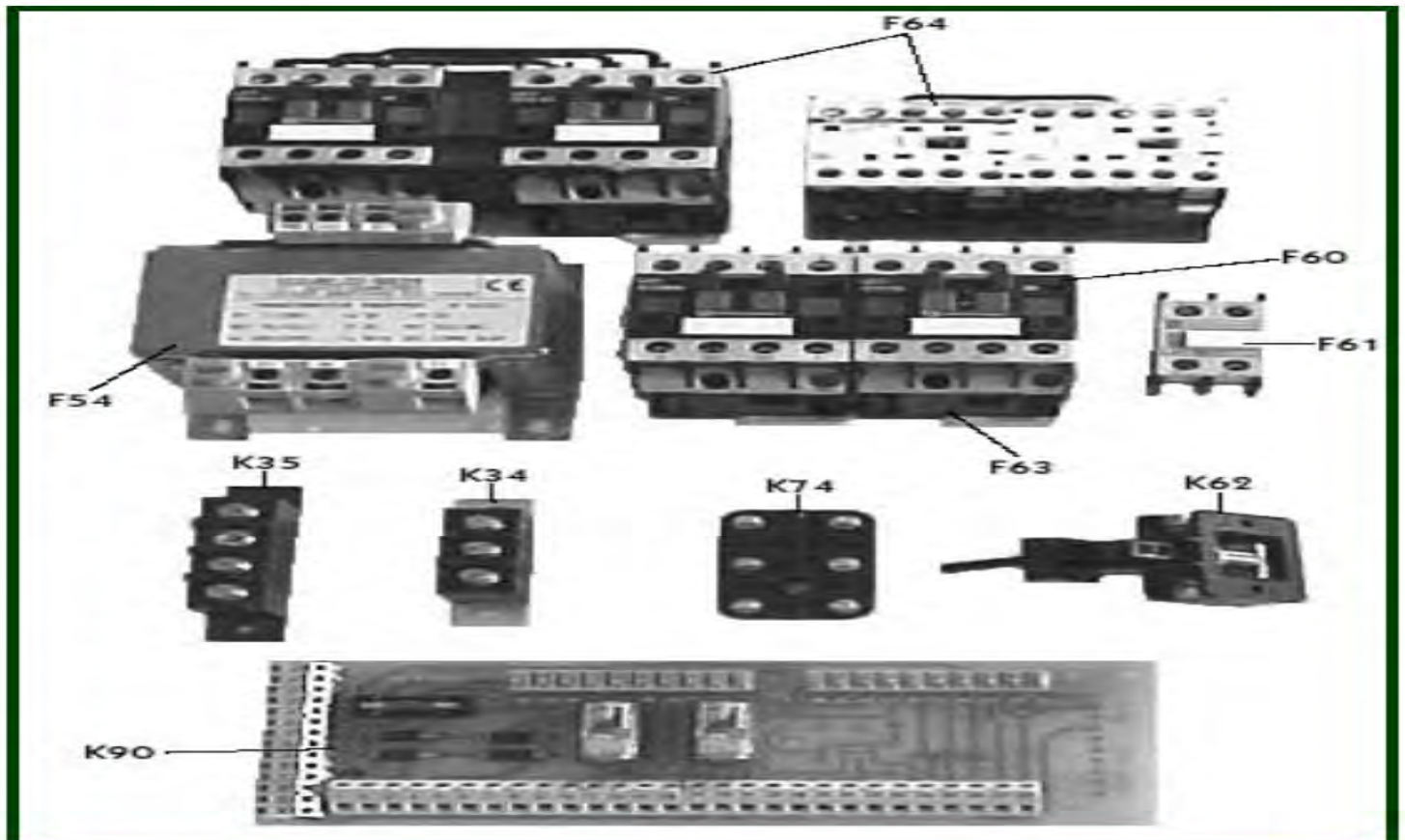
23) BISSEL TROLLEY (HPR72) FOR C TYPE ONLY



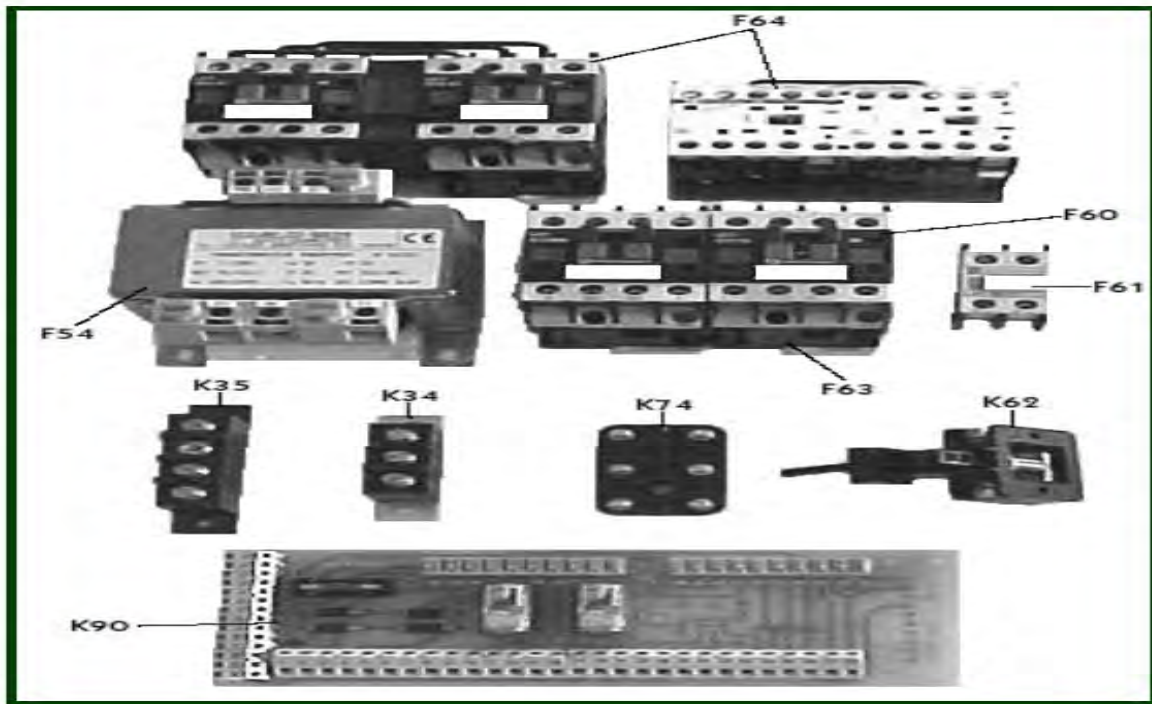
24) NA TROLLEY FOR C TYPE ONLY



25) ELECTRICAL EQUIPMENT



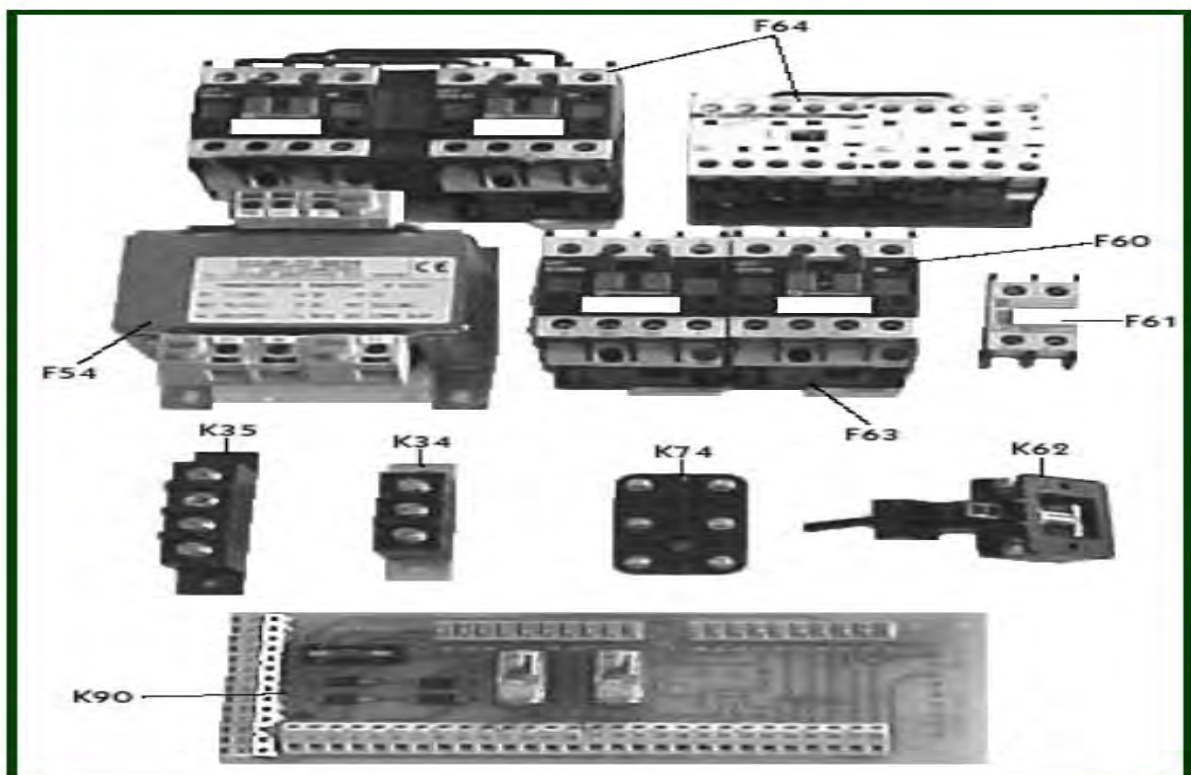
25.1) EUROBLOC



ITEM	REFERENCE	DESCRIPTION
-	7691142N	Bulb
-	7586201W	Clip 6,35, 3AM HRC
-	5622002X	Connection bar
-	7578503D	Fuse 3AM HRC, 6x23 3A GI
-	7691133C	Lamp, 48V
-	7535414T	Relay FINDER, 48V
-	5622019R	Seal for terminal box
-	3633515A	Single Protection phase, 380V
-	7586104R	Closed blue socket
-	KP19D	Lightning sticker for cover
-	7586103Q	Open blue socket
-	7586101N	Red clip
-	7586106T	Yellow closed socket
-	7571302B	Fuse 5x20 2A
-	7571303C	Fuse 5x20 3A
-	7571304D	Fuse 5x20 4A
F60	7532326L	Contacteur ON-OFF, LC1D253E
F60	7532126U	Main contacteur 400V-48V, LC1D123E
F61	7536311T	Auxiliary contact LA1D11, N1 à N3

F61	1113007	Auxiliary contact LA1D20, 7536314W
F61	7536312U	Auxiliary contact LA1D22, «2F+2O»
F63	1113027	2 sp selection contactor 400V/48V LC1D128E (7532122Q) AK4 Motor P1, P2, P3
F63	1113029	2 sp selection contactor 400V/48V LC1D258E, (7532324J) - AK4 - Motor P4/P5
F63	1113024	Two speed selection contactors, LC1ECO8E, (7532021E)
F64	7531122C	Interlocked contactors 400V/48V LC2D129E, AK1-AK2 - Motor P1-P2-P3-N1-N2
F64	7531325Y	Interlocked contactors, 400V/48V - LC2D259E, AK1-AK2 Motor P5
F64	1113023	Reversing contactor - 400V-48V, LC2ECO9E (7531023V)
K34	7521111W	Rectifier, Brake 24V
K35	7521122H	Rectifier, Brake 48V
K53	7513041Z	Transformer 220-380V, 45V-63 VA
K53	7511511L	Transformer 220/380V, 2x24V-63VA
K53	7514041L	Transformer 220/380V, 48V - 100VA
K53	7511551E	Transformer 415/440/500V, 2x24V-63VA
K53	7513241S	Transformer 415/440V, 48V-63VA
K62	3632111X	Limit switch contact, Low voltage for C
K74	7581401D	Hoisting motor terminal block
K90	3653510G	Electric circuit (3 relay)
K90	3633510T	Electric circuit ELB481 (2 relay)

25.2) RA - RB - RC



ITEM	REFERENCE	DESCRIPTION
-	7691142N	Bulb
-	7586201W	Clip 6,35, 3AM HRC
-	5622002X	Connection bar
-	7578503D	Fuse 3AM HRC, 6x23 3A GI
-	7691133C	Lamp, 48V
-	KP19D	Lightning sticker for cover
-	7535414T	Relay FINDER, 48V
-	5622019R	Seal for terminal box
-	3633515A	Single Protection phase, 380V
-	7586104R	Closed blue socket
-	7586103Q	Open blue socket
-	7586101N	Red clip
-	7586106T	Yellow closed socket
-	7571302B	Fuse 5x20 2A
-	7571303C	Fuse 5x20 3A
-	7571304D	Fuse 5x20 4A
F60	7532326L	Contactor ON-OFF, LC1D253E
F60	7532126U	Main contactor 400V-48V, LC1D123E
F61	7536311T	Auxiliary contact LA1D11, N1 à N3
F61	1113007	Auxiliary contact LA1D20, 7536314W
F61	7536312U	Auxiliary contact LA1D22, «2F+2O»
F63	1113027	Two speed selection contactors, 400V/48V - LC1D128E, (7532122Q) - AK4 - Motor P1, P2, P3
F63	1113029	2 sp selection contactor 400V/48V LC1D258E (7532324J) AK4 Motor P4/P5
F63	1113024	Two speed selection contactors, LC1ECO8E, (7532021E)
F64	7531122C	Interlocked contactors 400V/48V LC2D129E, AK1-AK2 Motor P1-P2-P3-N1-N2
F64	7531325Y	Interlocked contactors, 400V/48V - LC2D259E, AK1-AK2 Motor P5
F64	1113023	Reversing contactor - 400V-48V, LC2ECO9E (7531023V)
K34	7521111W	Rectifier, Brake 24V
K53	7513041Z	Transformer 220-380V, 45V-63 VA
K53	7511511L	Transformer 220/380V, 2x24V-63VA
K53	7514041L	Transformer 220/380V, 48V - 100VA
K53	7511551E	Transformer 415/440/500V, 2x24V-63VA

K53	7513241S	Transformer 415/440V, 48V-63VA
K62	3632111X	Limit switch contact, Low voltage for C
K74	7581401D	Hoisting motor terminal block
K90	3653510G	Electric circuit (3 relay)
K90	3633510T	Electric circuit ELB481 (2 relay)