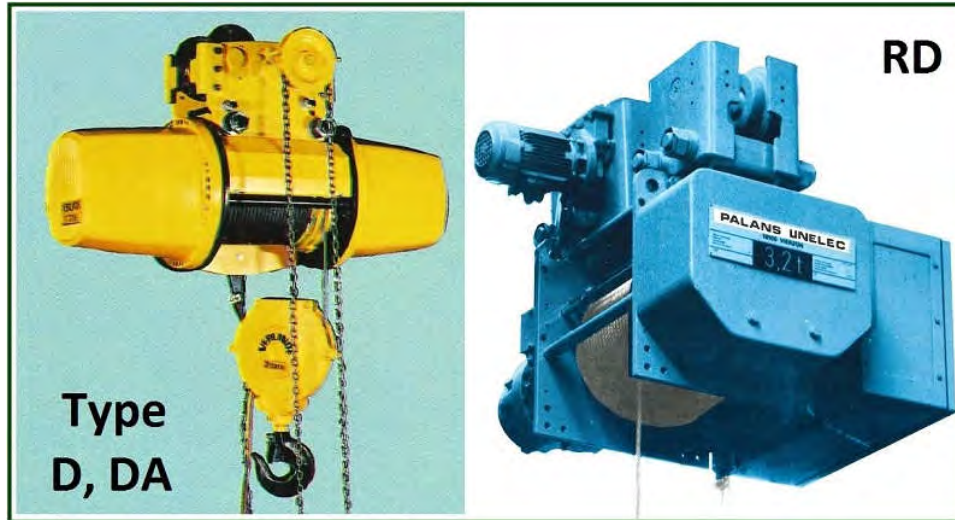


**Spare parts catalog for "D DA - RD"**

To avoid errors, when ordering please specify:

- Complete type of hoist
- Date of manufacture and serial number
- Spare part code
- Spare part designation
- Additional information



- 0) HOIST DESCRIPTION**
- 1) MOTOR / HOISTING GEARBOX D-DA & RD**
  - 1.1) Eurobloc D-DA
  - 1.2) RD
- 2) COVER / SWL PLATE**
  - 2.1) Eurobloc D-DA
  - 2.2) RD
- 3) HOISTING GEARBOX**
  - 3.1) Eurobloc D-DA
  - 3.2) RD
- 4) BRAKE D & DA**
  - 4.1) Manual brake
  - 4.2) Automatic brake
- 5) BRAKE FOR RD**
  - 5.1) FCO - FCM - FCL brake for RD
  - 5.2) GHUC brake for RD
- 6) DRUM / COUPLING**
  - 6.1) EUROBLOC D & DA
  - 6.2) RD
- 7) OVERLOAD LIMITER / CROSSHEAD / FIXED POINT**
- 8) RETURN**
- 9) LOW HEADROOM FRAME**
- 10) NORMAL HEADROOM FRAME**
- 11) ROPE GUIDE / LIMIT SWITCH**
  - 11.1) EUROBLOC D & DA
  - 11.2) RD
- 12) HOOK BLOCK - 1 FALL**
  - 12.1) CABLE Ø 11 mm
  - 12.2) CABLE Ø 12 mm
- 13) HOOK BLOCK - 2 FALLS**
- 14) HOOK BLOCK - 4 FALLS**
- 15) HOOK BLOCK - 6 FALLS**
- 16) MONORAIL TROLLEY TYPE**
  - 16.1) EUROBLOC D DA
  - 16.2) RD
- 17) TROLLEY SETTING TABLE**
- 18) SWIVELLING TROLLEY - TYPE II 78**
- 19) DOUBLE GIRDER TROLLEY**
- 20) BISSEL TROLLEY (HPR72) FOR D TYPE ONLY**
  - 21) NA TROLLEY FOR D TYPE ONLY**
    - 22) GEAR AND MOTORGear**
      - 22.1) DC1
      - 22.2) DC2
      - 22.3) DC3
      - 22.4) DC4
- 23) ELECTRIC TRAVEL AND CHAIN TRAVEL**
  - 24) HOIST ROPE**
    - 24.1) Precut rope
- 25) ELECTRICAL EQUIPMENT**

# 0) Hoist description

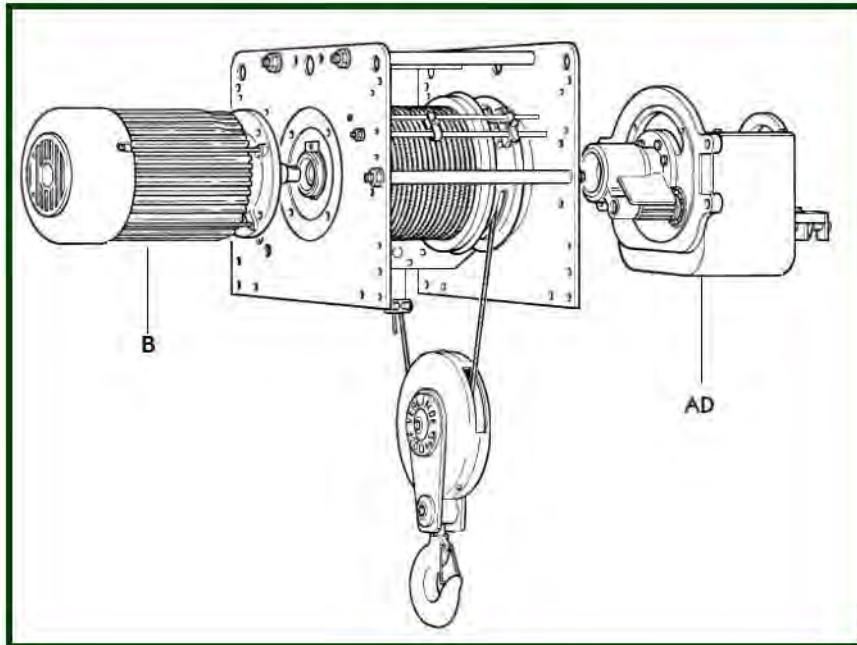
**GROUPE**  
EUROBLOC DA

		Ia		Ib		II				III										
		Vitesse de levée en m/min - Cases encadrées appareils mouflés																		
Moteurs	Repères	DA16	DA8	DA20	DA10	DA25	DA12	DA32	DA16	DA40	DA20	DA30	DA25	DA40	DA100	DA120	DA150			
1 vitesse 3 Kw 1500 T/mn	201 251 302 501	9,7	19,4	3,1	16,2			5,4	10,9			3,25		2,7						
1 vitesse 4,4 Kw 1500 T/mn	201 251 302					9,7	19,4			5,4	10,9	4,5		3,2	2,7					
1 vitesse 7,4 Kw 1500 T/mn	201 251									9,7	19,4	8	16,2	4,8	4		2,7			
2 vitesses 3/0,75 Kw 3000/750 T/mn	202 252 302 502	9,7/2,4	19,4/4,8	3,1/2	16,2/4			5,4/1,3	10,9/2,7			3,25/0,8		2,7/0,65						
2 vitesses 4,4/1 Kw 3000/750 T/mn	202 252 302					9,7/2,4	19,4/4,8	8,2	16,2/4			4,8/1,3		4,1	3,2/0,8	2,7/0,65	2,7/0,65			
2 vitesses (1/1,5 Kw 3000/750 T/mn)	202 252									9,7/2,4	19,4/4,8	8,2	16,2/4	4,8/1,3	4,1		2,7/0,65			
Platen suspendu		S		Pose		P														
Tambour		N																		
Ossature		HPN				HPR				HPN				HPR						
Capacité de charge - kg		1800 3200	4000 5000	1000 6000	8000 10000	1600 3200	4000 5000	5000 6000	8000 10000	8000 10000	1600 3200	4000 5000	5000 6000	8000 10000	1600 3200	4000 5000	5000 6000	8000 10000	8000 10000	12500 15000
Nature du câble		P	P	P	P	P	P	P	P	P	A	A	P	P	A	A	P	P	P	P
Ø câble - mm		11	12	11	12	11	12	11	12	11	11	12	11	12	11	12	11	12	11	12
Long câble standard - m		22,25	22,25	24,5	24,5	22,25	22,25	23	23	26,7	38	38	39	39	37	37	38	38	41,3	41,3
Hauteur de levée - m		9	9	4,5	4,5	9	9	4,5	4,5	3	16,5	16,5	8	8	16	16	8	8	5,5	5,5
Platen mouflé		2/1	2/1	4/1	4/1	2/1	2/1	4/1	4/1	6/1	2/1	2/1	4/1	4/1	2/1	2/1	4/1	4/1	6/1	6/1
Tambour		SL								SSL										
Ossature		HPN				HPR				HPN				HPR						
Capacité de charge - kg		1800 3200	4000 5000	1800 3200	4000 5000	5000 6000	8000 10000	8000 10000	12500 15000	1600 3200	4000 5000	1800 3200	4000 5000	5000 6000	8000 10000	8000 10000	10000 15000	10000 15000	10000 15000	12500 15000
Nature du câble		A	A	A	A	P	P	P	P	A	A	A	A	P	P	P	P	P	P	P
Ø câble - mm		11	12	11	12	11	12	11	12	11	12	11	12	11	12	11	12	11	12	11
Long câble standard - m		54	54	53	53	53	53	59,4	59,4	66	66	65	65	65	65	65	65	66,6	66,6	66,6
Hauteur de levée - m		24	24	23	23	11,5	11,5	8	8	30	30	29	29	29	14,5	14,5	10	10	10	10
Platen mouflé		2/1	2/1	2/1	2/1	4/1	4/1	6/1	6/1	2/1	2/1	2/1	2/1	2/1	4/1	4/1	6/1	6/1	6/1	6/1
Platen bris direct		1/1	2/2	Suspendu		S	Pose	P	Ap. murée		Sortie câble N°		(1 à 16 voir schéma*)							
Tambour		N																		
Nombre de brins		1/1		2/2		3/1		2/2		3/1		2/2		1/1		SSL		2/2		
Force		800-1000-1250-1600-2000-2500																		
Nature du câble		A		P		A		P		A		P		A		P		A		
Ø du câble - mm		11 ou 12		11		11 ou 12		11		11 ou 12		11		11 ou 12		11		11 ou 12		
Long câble sur tambour - m		21,25		25		37		25		53		25		66		25		66		
Long câble directe anse - m		18		6,7		33		14		66		23		90		27		90		

Moteurs	Repères	Vitesse de levée en mètres mn - Cases encadrées : appareils mouflés						
		D 15	D 20	D 25	D 30	D 50	D 60	
1 vitesse 4 cv - 1500 T/min	E	201		7,5	15			
		251	9	18				
		301				5	10	
		501						3
1 vitesse 6 cv - 1500 T/min	G	201				7,5	15	3,75
		251			9	18		4,5
2 vitesses 4 cv / 1 cv 3000 / 750 T/min	F	202		7,5/1,7	15/3,4			
		252	9/2	18/4				
		302				5/11	10/2,2	
		502						3/0,65
2 vitesses 6 cv / 1,5 cv 3000 / 750 T/min	H	202				7,5/1,7	15/3,4	3,75/0,85
		252			9/2	18/4		4,5/1

Groupe	Type suspendu				4 sorties de câble			
	Type posé				A	B	C	D
TYPE	N	L	N	L	N	L	N	L
Force	1500-2000-2500-3000		5000-6000		750-1000-1250-1500			
Nbre de brins	2		4		1 trait		2 traits	
Hauteur de levée	10	17	5	8	20	34		
Ø du câble	10,5 - 11							
Longueur du câble	24	39	24,5	40	24	39	2 x	2 x

# 1) Motor / Hoisting gearbox D-DA & RD



## 1.1) Eurobloc D-DA

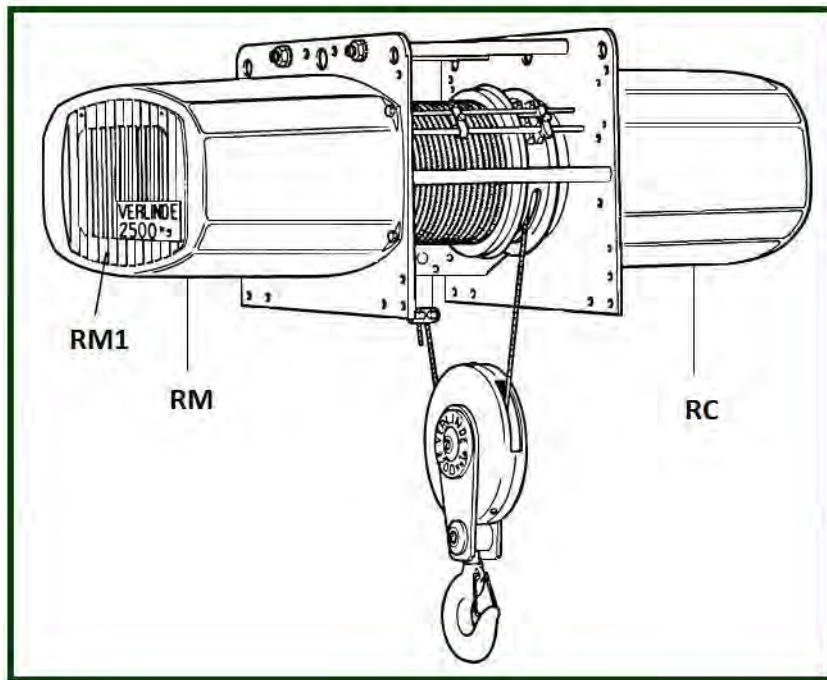
En cas de changement du moteur, une modification doit être effectuée suivant l'instruction disponible ici / In case of motor replacement, a modification must be carried out according to the instruction available here

item	reference	description	observation	Quantity
AD	<a href="#"><u>3254020D</u></a>	Hoisting gearbox without disc	D201	1
AD	<a href="#"><u>3254024H</u></a>	Hoisting gearbox without disc	D202	1
AD	<a href="#"><u>3254021E</u></a>	Hoisting gearbox without disc	D251	1
AD	<a href="#"><u>3254025J</u></a>	Hoisting gearbox without disc	D252	1
AD	<a href="#"><u>3254022F</u></a>	Hoisting gearbox without disc	D301	1
AD	<a href="#"><u>3254026K</u></a>	Hoisting gearbox without disc	D302	1
AD	<a href="#"><u>3254023G</u></a>	Hoisting gearbox without disc	D501	1
AD	<a href="#"><u>3254027L</u></a>	Hoisting gearbox without disc	D502	1
AD	<a href="#"><u>3354020Z</u></a>	Hoisting gearbox without disc	DA201	1
AD	<a href="#"><u>3354024D</u></a>	Hoisting gearbox without disc	DA202	1
AD	<a href="#"><u>3354021A</u></a>	Hoisting gearbox without disc	DA251	1
AD	<a href="#"><u>3354025E</u></a>	Hoisting gearbox without disc	DA252	1
AD	<a href="#"><u>3354022B</u></a>	Hoisting gearbox without disc	DA301	1
AD	<a href="#"><u>3354026F</u></a>	Hoisting gearbox without disc	DA302	1
AD	<a href="#"><u>3354023C</u></a>	Hoisting gearbox without disc	DA501	1
AD	<a href="#"><u>3354027G</u></a>	Hoisting gearbox without disc	DA502	1
B	<a href="#"><u>7345250T</u></a>	Hoisting motor 1500t/mn - 200/380V 50Hz - 4,4Kw	b.a : 28x60	1
B	<a href="#"><u>7344230J</u></a>	Hoisting motor 1500t/mn - 220/380V 50Hz - 3Kw	7345250T	1
B	<a href="#"><u>7346271C</u></a>	Hoisting motor 1500t/mn - 220/380V 50Hz - 7,5Kw	b.a : 38x80	1
B	<a href="#"><u>7344535R</u></a>	Hoisting motor 1500t/mn - 240/415V 50Hz - 3Kw	b.a : 28x60	1
B	<a href="#"><u>7345450K</u></a>	Hoisting motor LS112M2 3000/750t - 220/380V 50Hz - 3/0,75Kw	b.a : 28x60	1
B	<a href="#"><u>7346450X</u></a>	Hoisting motor LS132m2 3000/750t/mn - 220/380V 50Hz - 4,4/1,1Kw	b.a : 28x60	1
B	<a href="#"><u>7346771W</u></a>	Hoisting motor LS132M1 1500t/mn - 240/415V 50Hz - 7,5Kw	b.a : 38x80	1
B	<a href="#"><u>7346950R</u></a>	Hoisting motor LS132M2 3000/750t/mn - 240/415V 50Hz - 4,4/1,1K	b.a : 28x60	1
B	<a href="#"><u>7346480E</u></a>	Hoisting motor LS132S 3000/750t/mn - 220/380V 50Hz - 7,5/1,8Kw	b.a : 38x80	1

## 1.2) RD

item	reference	description	observation	Quantity
AD	<u>3354050G</u>	Hoisting gearbox	RD 201 - 8 m/min	1
AD	<u>3354054L</u>	Hoisting gearbox	RD 202 - 8/2 m/min	1
AD	<u>3354051H</u>	Hoisting gearbox	RD 251 - 10 m/min	1
AD	<u>3354055N</u>	Hoisting gearbox	RD 252 - 10/2,5 m/min	1
AD	<u>3354052J</u>	Hoisting gearbox	RD 301 - 5,3 m/min	1
AD	<u>3354056P</u>	Hoisting gearbox	RD 302 - 5,3/1,3 m/min	1
B	<u>3141061500RD</u>	Hoisting motor LS100L2FCO 1500 T/min - 3 kw	Frein / Brake 20V 220/380V	1
B	<u>3141061501RD</u>	Hoisting motor LS112LM2DP 1500 T/min - 7,6 kw	Frein / Brake FCM 20V 220/380V	1
B	<u>3141061510RD</u>	Hoisting motor LS132M1 2/8 3000/750 T/min - 5/1,25 kw	Frein / Brake PFCL 100V	1
B	<u>3141061511RD</u>	Hoisting motor LS132M2 2/8	Frein / Brake PFCL 100V	1

## 2) Cover / SWL plate



## 2.1) Eurobloc D-DA

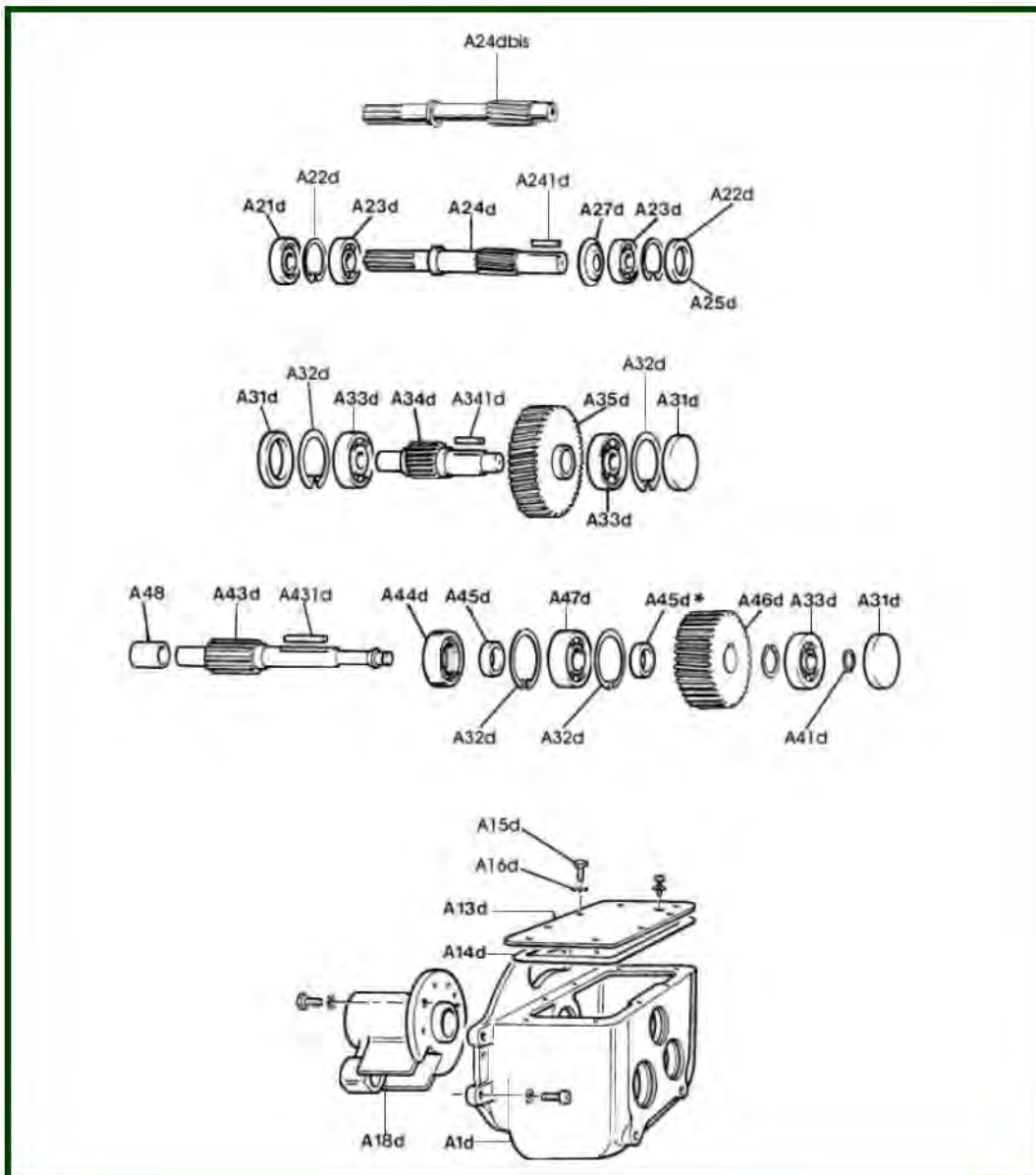
item	reference	description	observation	Quantity
-	<u>7791300E</u>	Cover seal		1
-	<u>KP9AV</u>	Name SWL	VERLINDE	1
-	<u>7257612J</u>	Raymond clip 62607		1
-	<u>5358211T</u>	Spacerring for adjustment	Ep. / Th : 10 -Tambour D (10) - Tambour E (14)	1
-	<u>5358210S</u>	Spacerring for adjustment	Ep. / Th : 25	1
-	<u>KP9A16GB</u>	SWL plate	1,6 Tons	1
-	<u>KP9A25GB</u>	SWL plate	2,5 Tons	1
-	<u>KP9A20GB</u>	SWL plate	2 Tons	1
-	<u>KP9A32GB</u>	SWL plate	3,2 Tons	1
-	<u>KP9A50GB</u>	SWL plate	5 Tons	1
-	<u>KP9A16</u>	SWL plate	1600 Kg	1
-	<u>KP9A20</u>	SWL plate	2000 Kg	1
-	<u>KP9A25</u>	SWL plate	2500 Kg	1
-	<u>KP9A32</u>	SWL plate	3200 Kg	1
-	<u>KP9A50</u>	SWL plate	5000 Kg	1
-	<u>KP9A63</u>	SWL plate	6300 Kg	1
-	<u>KP9A80</u>	SWL plate	8000 Kg	1
-	<u>KP9A100</u>	SWL plate	10000 Kg	1
RC	<u>5258201L</u>	Gearbox cover	D	1
RC	<u>6358201P</u>	Gearbox cover	DA	1
RM1	<u>5258210W</u>	Grill for cover motor end	DA & D	1
RM	<u>5258202N</u>	Motor cover	D	1
RM	<u>5358202H</u>	Motor cover	DA	1

## 2.2) RD

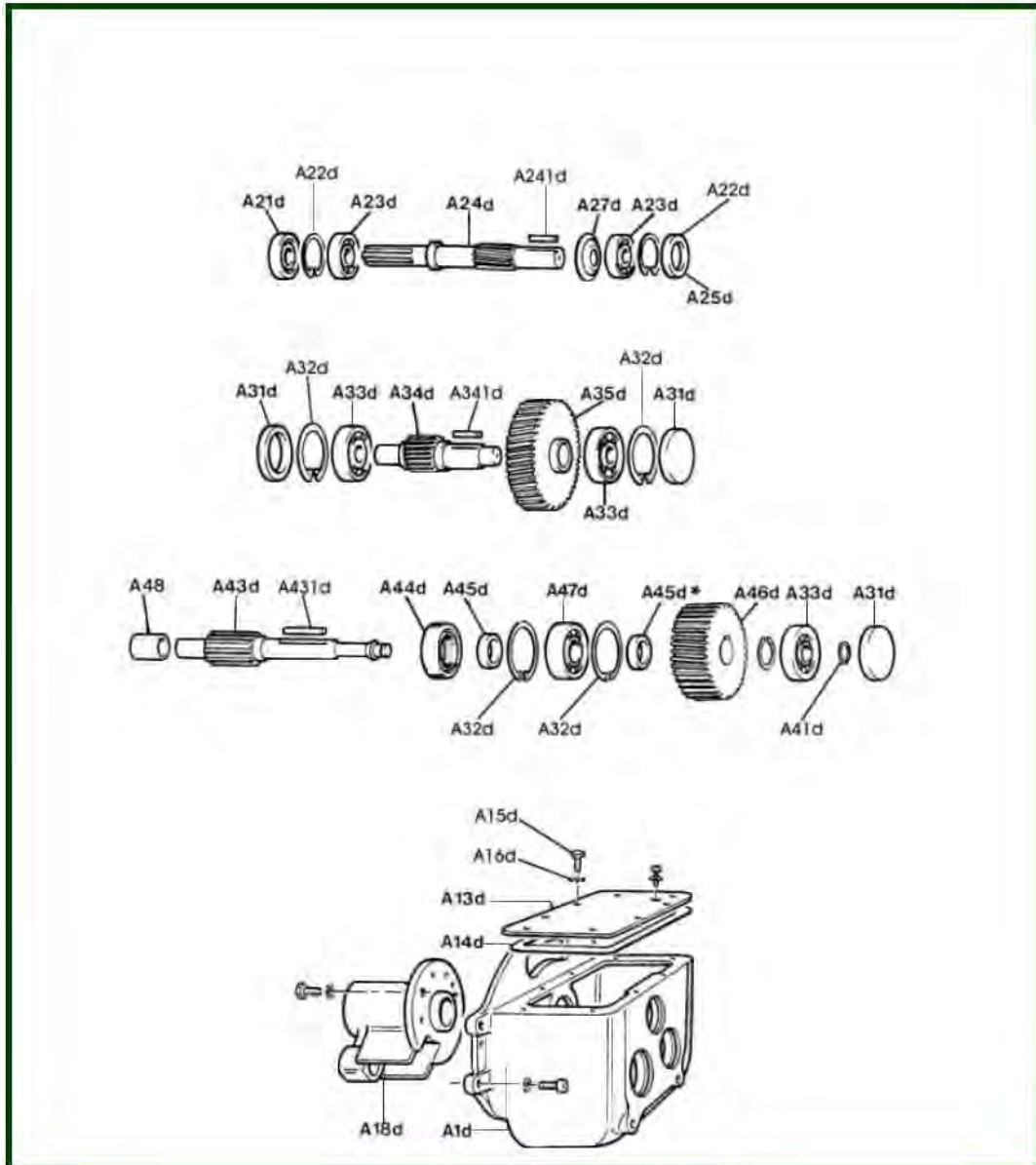
<b>item</b>	<b>reference</b>	<b>description</b>	<b>observation</b>	<b>Quantity</b>
RC	<u>3141060111RD</u>	Gearbox cover	Fourni sur commande / Provided on request	1



### 3) Hoisting gearbox



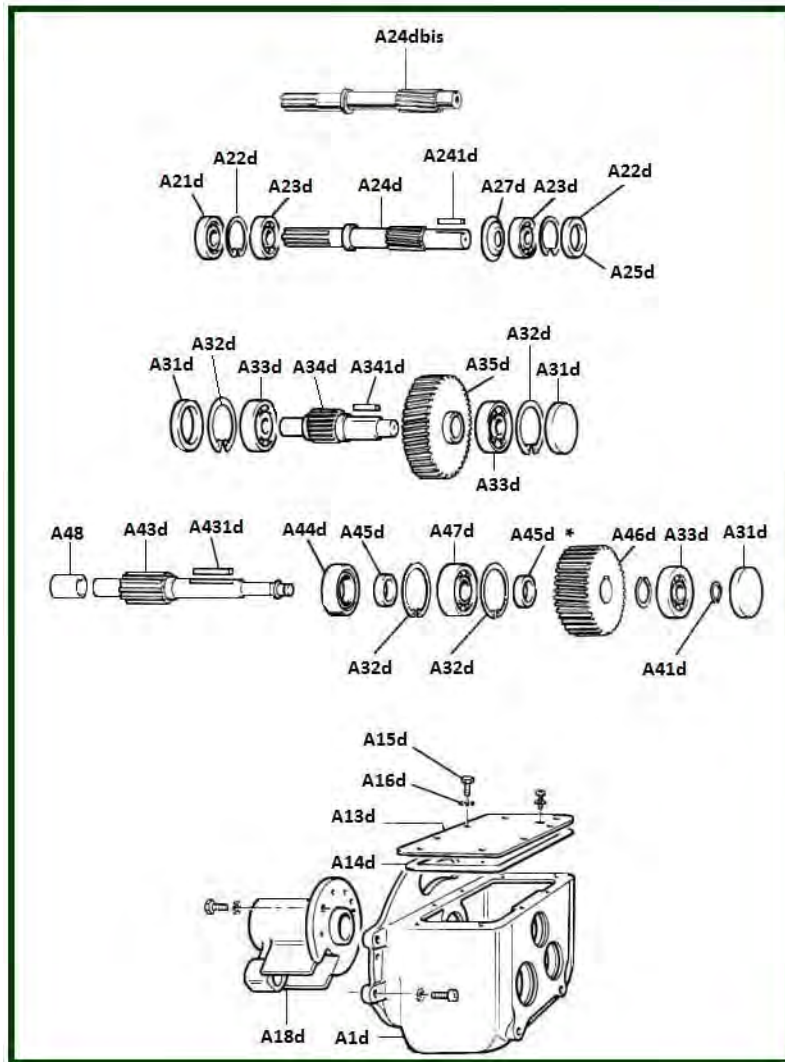
### 3.1) Eurobloc D-DA



item	reference	description	observation	Quantity
	<a href="#">7238170B</a>	Alu. washer	17 x 13,4 x 1,5	1
	<a href="#">7285050H</a>	Disc washer	11 x 50 x 4	1
	<a href="#">5434106N</a>	Drain plug		1
	<a href="#">8913045T</a>	Grease	1 kg	1
-	<a href="#">A24DD</a>	Bearing and sealing set	Pour/only for A24d	1
A1d	<a href="#">5354102B</a>	Gear case only	DA	1
A13d	<a href="#">5254108N</a>	Gearbox inspection plate		1
A14d	<a href="#">5254102F</a>	Seal		1
A15d	<a href="#">7211353C</a>	HM screw 6 x 16	Liaison câble-tambour / For rope-drum	8
A16d	<a href="#">7232060K</a>	Washer M6	Standard	8
A18d	<a href="#">5354104D</a>	Shaft bracket	DA & RD	1
A21d	<a href="#">7460550U</a>	SIMRIT seal		1
A22d	<a href="#">300079</a>	Circlip - Ø 62	C3-C5- VS2... O (VSX)	1
A23d	<a href="#">7413050P</a>	Bearing		2
A24d	<a href="#">EP304DK333</a>	Motor pinion - 17 teeth	Depuis 1978 /Since 1978 D202-252 - 6 cannelures /6 splines	1
A24d	<a href="#">EP204DK333</a>	Motor pinion - 18 teeth	Depuis 1978 /Since 1978 D202-252 - 6 cannelures /6 splines	1

A24d	<u>EP203DK333</u>	Pinion - 19 teeth	Depuis 1978 /Since 1978 D 201-251-301-501 - 6 cannelures /6 splines	1
A24d	<u>5254203R</u>	Pinion shaft High Speed - 17 teeth	D 302-502 - 6 cannelures /6 splines	1
A24d	<u>5354203L</u>	Pinion shaft High Speed - 17 teeth	DA 302-502	1
A24d	<u>5254202Q</u>	Pinion shaft High Speed - 18 teeth	D 202-252 - 6 cannelures /6 splines	1
A24d	<u>5354202K</u>	Pinion shaft High Speed - 18 teeth	DA 202-252 - 18 cannelures /18 splines	1
A24d	<u>5254201P</u>	Pinion shaft High Speed - 19 teeth	D 201-251-301-501	1
A24d	<u>5354201J</u>	Pinion shaft High Speed - 19 teeth	DA 201-251-301-501 - 18 cannelures /18 splines	1
A25d	<u>7460910K</u>	SIMRIT seal		1
A27d	<u>5254205T</u>	Deflector High Speed		1
A31d	<u>5254316P</u>	Cover		3
A32d	<u>7261080D</u>	Internal circlip - Ø 80		3
A33d	<u>7414050A</u>	Bearing		3
A34d	<u>5354305X</u>	Intermediate pinion - 16 teeth	302	1
A34d	<u>5354304W</u>	Intermediate pinion - 16 teeth	D 301-202 & DA 301-202-502	1
A34d	<u>5354303V</u>	Intermediate pinion - 18 teeth	501-252	1
A34d	<u>5354302U</u>	Intermediate pinion - 22 teeth	201	1
A34d	<u>5354301T</u>	Intermediate pinion - 25 teeth	251	1
A35d	<u>5354210U</u>	Intermediate gear - 92 teeth	D 201-251-501 & DA 201-251-301-501	1
A35d	<u>5354211V</u>	Intermediate gear - 116 teeth	202-252	1
A35d	<u>5354212W</u>	Intermediate gear - 142 teeth	302-502	1
A43d	<u>5354402C</u>	Drive pinion shaft - 17 teeth	DA 201-251-301-302-501-252-502	1
A43d	<u>5254402G</u>	Drive pinion shaft - 17 teeth	D - Après / After 03/77	1
A43d	<u>5254401F</u>	Drive pinion shaft - 17 teeth	D - Avant / Before 03/77	1
A44d	<u>7461030R</u>	SIMRIT seal		1
A45d	<u>5354410L</u>	Spacer collar	35 x 50 x 14	1
A45d	<u>5254410R</u>	Spacer collar	36 x 50 x 16	1
A46d	<u>5354311D</u>	Gear Slow Speed - 65 teeth	251	1
A46d	<u>5354312E</u>	Gear Slow Speed - 68 teeth	201	1
A46d	<u>5354313F</u>	Gear Slow Speed - 72 teeth	501-252	1
A46d	<u>5354314G</u>	Gear Slow Speed - 74 teeth	301-202-502	1
A46d	<u>5354315H</u>	Gear Slow Speed - 85 teeth	302	1
A47d	<u>7418075A</u>	Bearing	D	1
A47d	<u>7424070S</u>	Bearing	DA	1
A48d	<u>7441636K</u>	METAFRAM collar	D	1
A48d	<u>7446501Y</u>	METAFRAM collar	DA & RD	1
A241d	<u>7281085Y</u>	Cotter pin	8 x 7 x 50	1
A431d	<u>7281114E</u>	Cotter pin 10 x 8 x 60		2

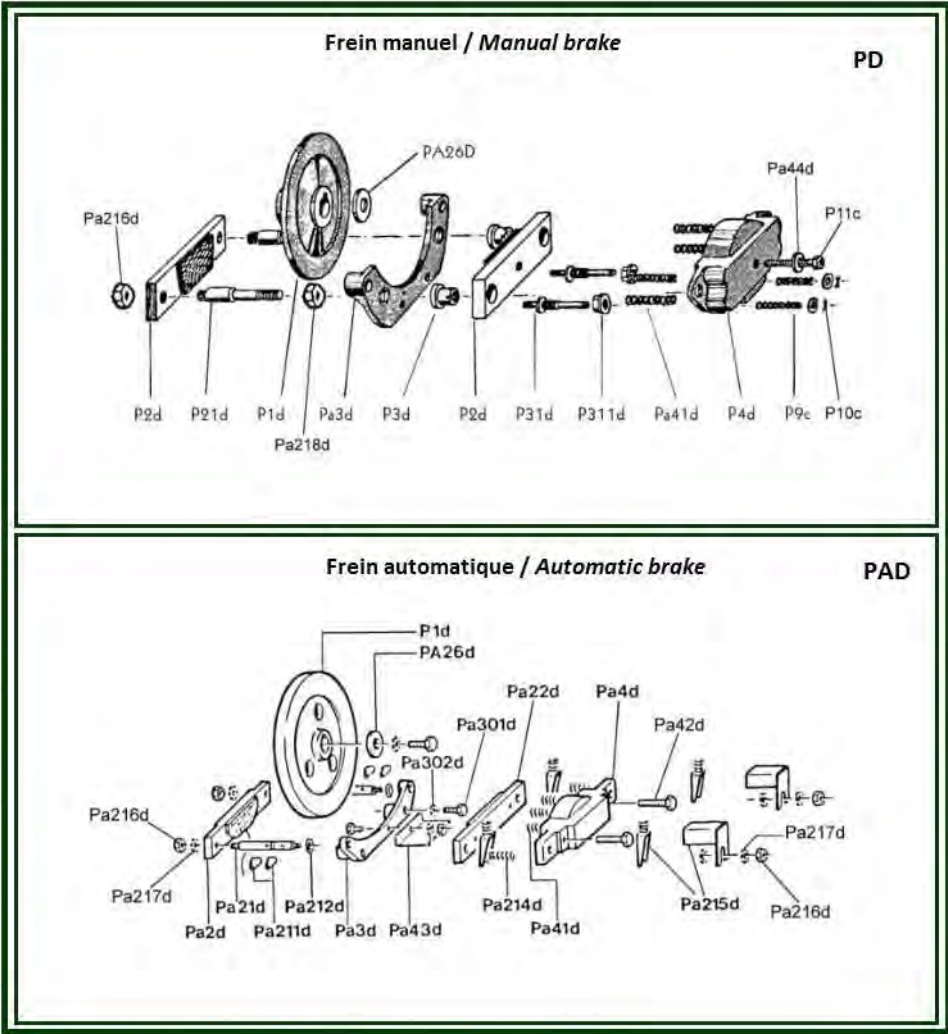
## 3.2) RD



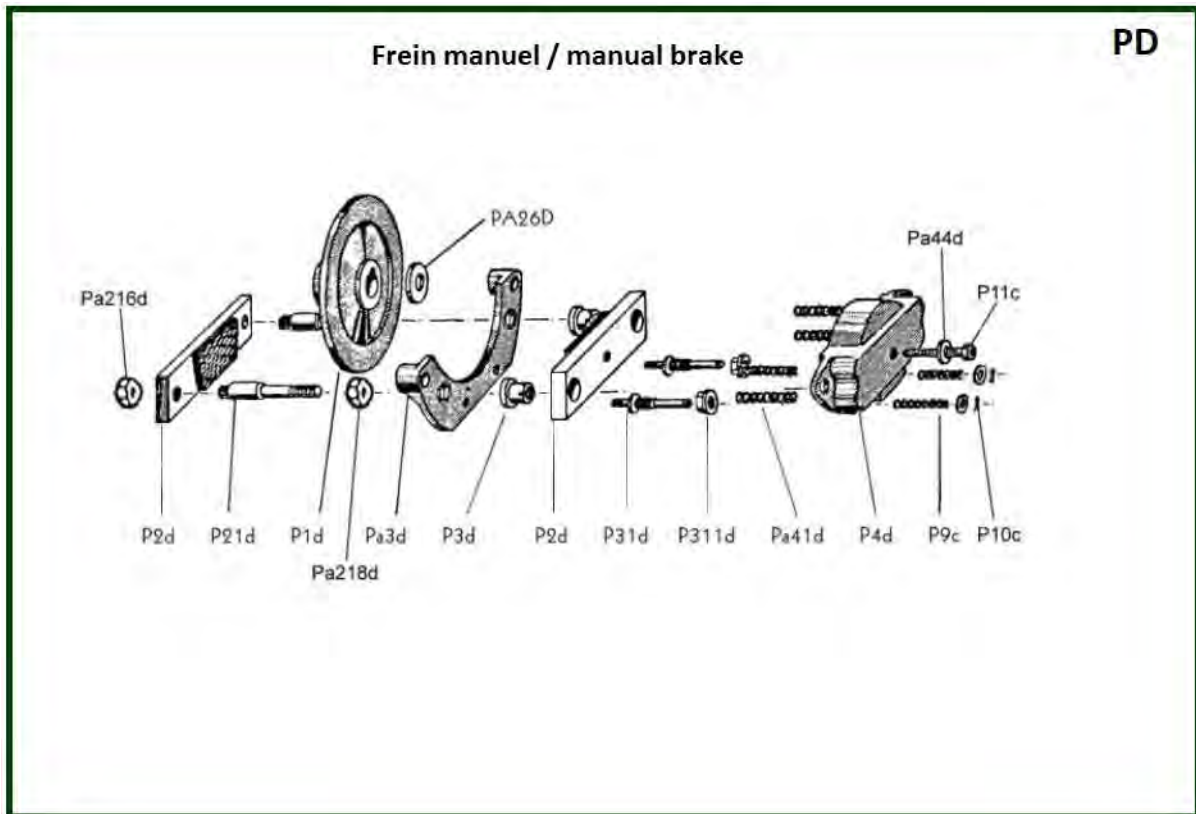
item	reference	description	observation	Quantity
	<a href="#">7238170B</a>	Alu. washer	17 x 13,4 x 1,5	1
	<a href="#">A24DD</a>	Bearing and sealing set	Pour/only for A24d	1
	<a href="#">7285050H</a>	Disc washer	11 x 50 x 4	1
	<a href="#">5434106N</a>	Drain plug		1
	<a href="#">8913045T</a>	Grease	1 kg	1
A1d	<a href="#">5354102B</a>	Gear case only	DA	1
A13d	<a href="#">5254108N</a>	Gearbox inspection plate		1
A14d	<a href="#">5254102F</a>	Seal		1
A15d	<a href="#">7211353C</a>	HM screw 6 x 16	Liaison câble-tambour / For rope-drum	8
A16d	<a href="#">7232060K</a>	Washer M6	Standard	8
A18d	<a href="#">5354104D</a>	Shaft bracket	DA & RD	1
A21d	<a href="#">7460550U</a>	SIMRIT seal		1
A22d	<a href="#">300079</a>	Circlip - Ø 62	C3-C5- VS2... O (VSX)	1
A23d	<a href="#">7413050P</a>	Bearing		2
A24dbis	<a href="#">5354292H</a>	High speed pinion - 17 teeth	302	1
A24dbis	<a href="#">5354293J</a>	High speed pinion - 18 teeth	202 - 252	1
A24dbis	<a href="#">5354291G</a>	High speed pinion - 19 teeth	201 - 251 - 301	1
A25d	<a href="#">7460910K</a>	SIMRIT seal		1
A27d	<a href="#">5254205T</a>	Deflector High Speed		1
A31d	<a href="#">5254316P</a>	Cover		3
A32d	<a href="#">7261080D</a>	Internal circlip - Ø 80		3

A33d	<a href="#">7414050A</a>	Bearing		3
A34d	<a href="#">5354305X</a>	Intermediate pinion - 16 teeth	302	2
A34d	<a href="#">5354304W</a>	Intermediate pinion - 16 teeth	D 301-202 & DA 301-202-502	1
A34d	<a href="#">5354303V</a>	Intermediate pinion - 18 teeth	501-252	1
A34d	<a href="#">5354302U</a>	Intermediate pinion - 22 teeth	201	1
A34d	<a href="#">5354301T</a>	Intermediate pinion - 25 teeth	251	1
A35d	<a href="#">5354210U</a>	Intermediate gear - 92 teeth	D 201-251-501 & DA 201-251-301-501	1
A35d	<a href="#">5354211V</a>	Intermediate gear - 116 teeth	202-252	1
A35d	<a href="#">5354212W</a>	Intermediate gear - 142 teeth	302-502	1
A44d	<a href="#">7461030R</a>	SIMRIT seal		1
A45d*	<a href="#">5354410L</a>	Spacer collar	35 x 50 x 14	1
A46d	<a href="#">5354311D</a>	Gear Slow Speed - 65 teeth	251	1
A46d	<a href="#">5354312E</a>	Gear Slow Speed - 68 teeth	201	1
A46d	<a href="#">5354313F</a>	Gear Slow Speed - 72 teeth	501-252	1
A46d	<a href="#">5354314G</a>	Gear Slow Speed - 74 teeth	301-202-502	1
A46d	<a href="#">5354315H</a>	Gear Slow Speed - 85 teeth	302	1
A47d	<a href="#">7424070S</a>	Bearing	DA	1
A48d	<a href="#">7441636K</a>	METAFRAM collar	D	1
A48d	<a href="#">7446501Y</a>	METAFRAM collar	DA & RD	1
A241d	<a href="#">7281085Y</a>	Cotter pin	8 x 7 x 50	1
A431d	<a href="#">7281114E</a>	Cotter pin 10 x 8 x 60		2

# 4) Brake D & DA

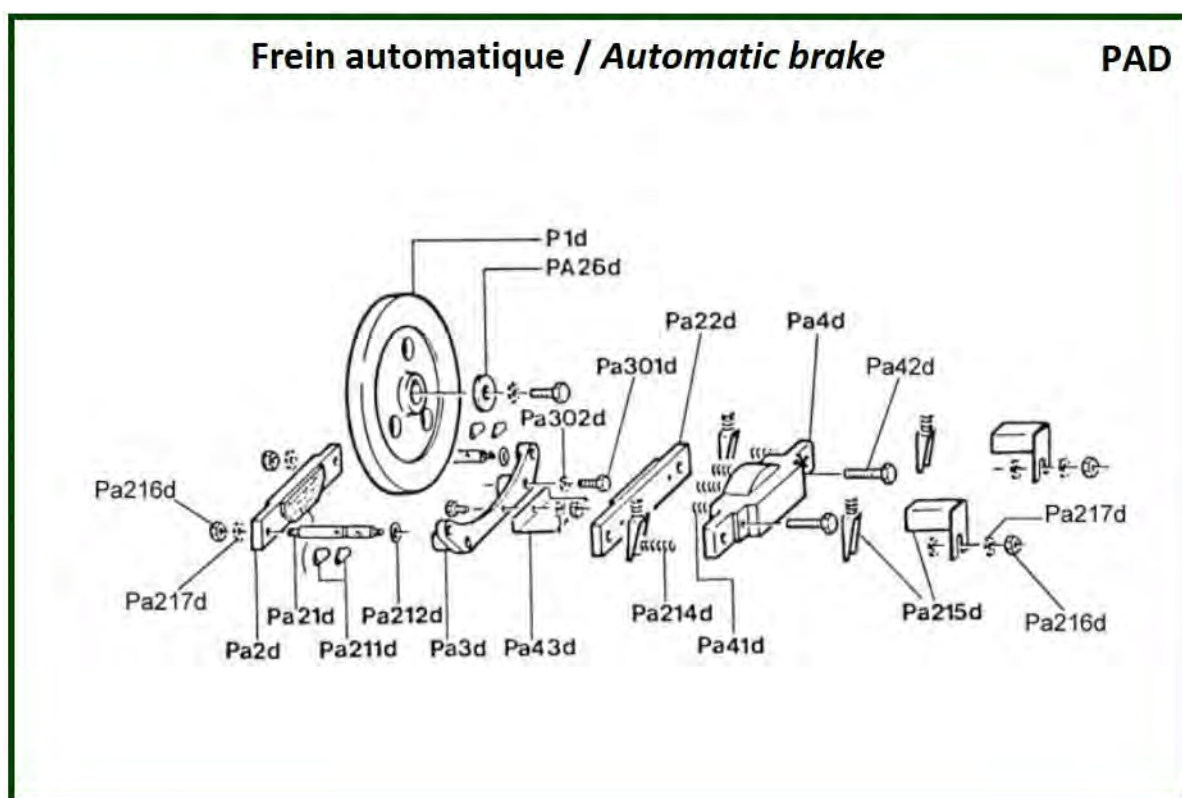


## 4.1) Manual brake



item	reference	description	observation	Quantity
P1d	<a href="#">5255201A</a>	Brake disc	D & DA	1
P2d	<a href="#">EP1DK5071/72T</a>	Set of brake jaws + bushes + studs		1
P3d	<a href="#">5275141Z</a>	KNO stops		2
P4d	<a href="#">5255121P</a>	Brake coil - 24V	Fils bleu et rouge / Blue and red wires	1
P4d	<a href="#">5255123R</a>	Brake coil - 48V	Fils noir et blanc / Black and white wires	1
P9c	<a href="#">5235152H</a>	Springs for studs		2
P10c	<a href="#">831660</a>	Split spin 2 x 20		2
P11c	<a href="#">7211262D</a>	HM screw 5 x 60		1
P21d	<a href="#">5255136E</a>	Studs		2
P31d	<a href="#">5255142L</a>	Studs for stop		2
P311d	<a href="#">5255144P</a>	AKULON stops		2
Pa3d	<a href="#">5255124S</a>	Brake support		1
Pa26D	<a href="#">7285050H</a>	Disc washer	11 x 50 x 4	1
Pa41d	<a href="#">5255133B</a>	Brake spring		4
Pa41d	<a href="#">5265133W</a>	Brake spring	Uniquement / Only 7Kw	4
Pa44d	<a href="#">7231081W</a>	Flat washer	Tambour D (5) - Tambour E (7)	1
Pa216d	<a href="#">7222100J</a>	Flat nut-10mm		4
Pa218d	<a href="#">7221100X</a>	HM nut - ø 10	D	2
PD	<a href="#">3255111Q</a>	Complete manual brake without disc - 24V	D & DA	1
PD	<a href="#">3255118X</a>	Complete manual brake without disc - 48V	D & DA	1
PD	<a href="#">3265119Y</a>	Complete manual brake without disc - 48V	D & DA - 7.5kw	1

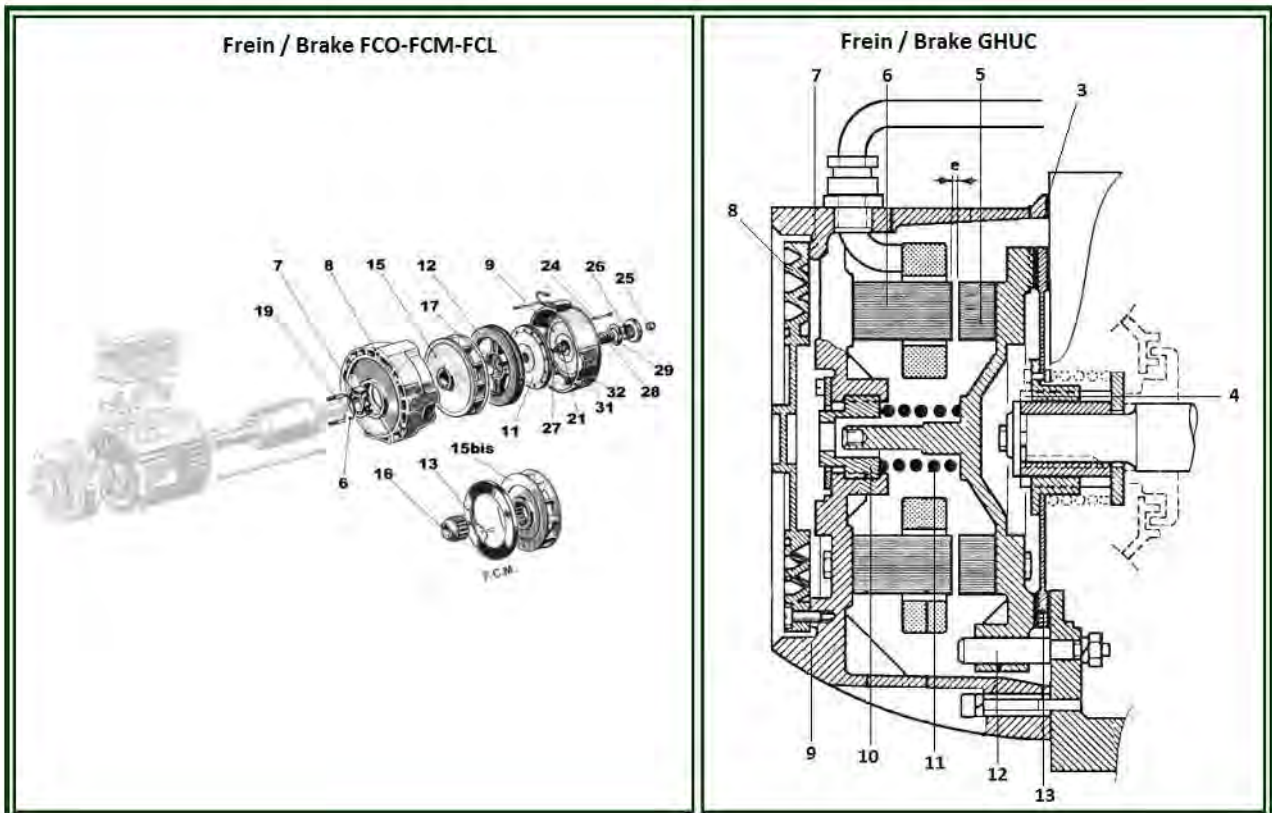
## 4.2) Automatic brake



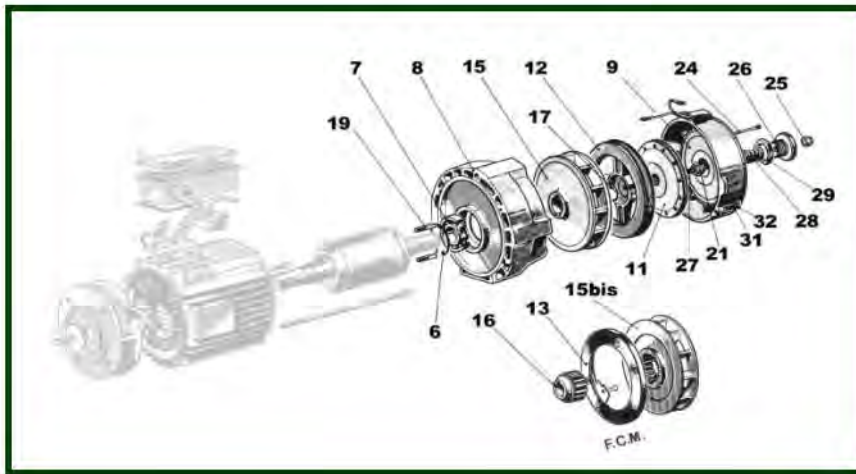
item	reference	description	observation	Quantity
P1d	<a href="#">5255201A</a>	Brake disc	D & DA	1
Pa2d	<a href="#">5255134C</a>	Brake shoes		1
Pa3d	<a href="#">5255124S</a>	Brake support		1
Pa4d	<a href="#">5265121H</a>	Brake coil - 24V	Fils bleu et rouge / Blue and red wires	1
Pa4d	<a href="#">5355122K</a>	Brake coil - 48V	Fils noir et blanc / Black and white wires	1
Pa21d	<a href="#">5355131V</a>	Axle		2
Pa22d	<a href="#">5255138G</a>	Brake bar		1
Pa26d	<a href="#">7285050H</a>	Disc washer	11 x 50 x 4	1
Pa41d	<a href="#">5255133B</a>	Brake spring		4
Pa41d	<a href="#">5265133W</a>	Brake spring	Uniquement / Only 7Kw	4
Pa43d	<a href="#">5355123L</a>	Brake coil housing support		1
Pa211d	<a href="#">5255147S</a>	Wedge follower		4
Pa212d	<a href="#">7791090B</a>	Torque seal		2
Pa214d	<a href="#">5255150V</a>	Gap control spring		2
Pa215d	<a href="#">PA215</a>	Wedge guide (pressing spring+key)		2
Pa216d	<a href="#">7222100J</a>	Flat nut-10mm		4
Pa217d	<a href="#">7232100D</a>	Narrow Grower washer -10mm	DIN12	4
Pa301d	<a href="#">7211209W</a>	HM screw 5 x 45		2
Pa302d	<a href="#">7231051P</a>	Washer (5)		2
PAD	<a href="#">3255112R</a>	Automatic brake complete without disc - 24V	D & DA	1
PAD	<a href="#">3255113S</a>	Automatic brake complete without disc - 48V	DA	1
PAD	<a href="#">3255115U</a>	Automatic brake complete Without disc - 48V	DA 7Kw	1



## 5) Brake for RD

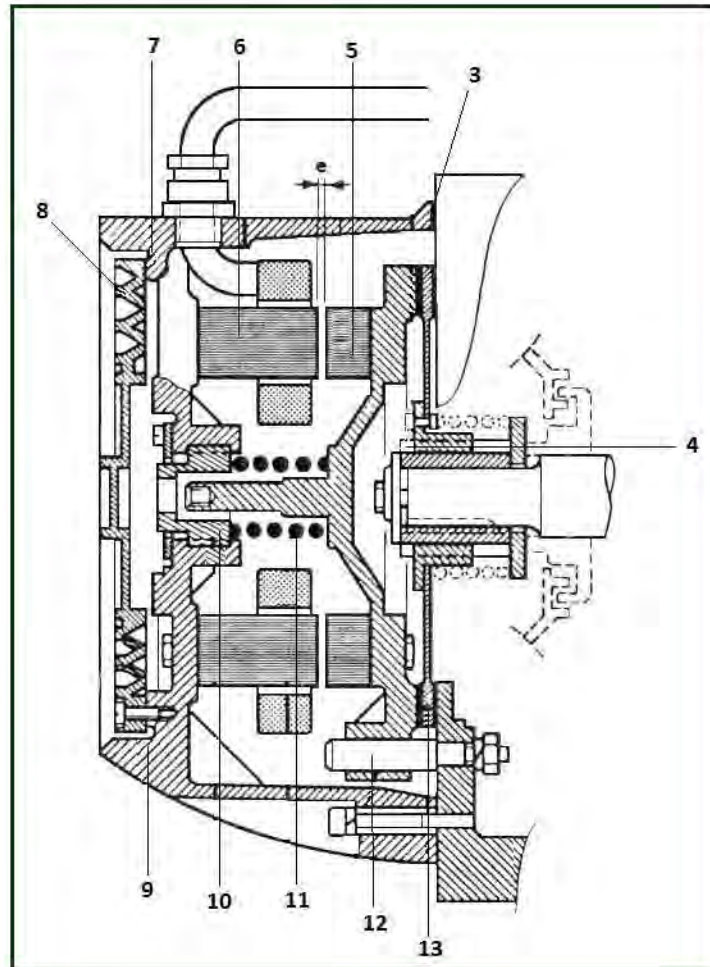


## 5.1) FCO - FCM - FCL brake for RD



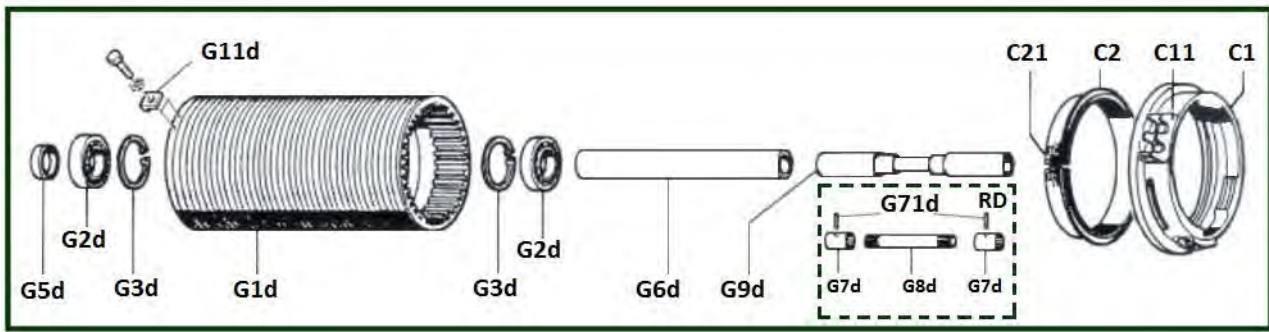
item	reference	description	observation	Quantity
11	342028323024	Frame - Brake FCL 132	Moteur 3141061510RD et 3141061511RD	1
11	342028223004	Frame LS100FCO - Brake FCO	Moteur 3141061500RD	1
11	314106150107	Frame LS112FCM - Brake FCM 112	Moteur 3141061501RD	1
13	314106150113	Brake lining - Brake FCM 112		1
15	314106150109	Brake disc - Brake FCM 112		1
15	342028223003	Brake disc - Brake FCO	15+17+19	1
15bis	343038223003	Brake disc with lining - Brake FCL 132		1
22	343038222007	Ventilator - Brake FCL 132		1
24	314106151049	100V cil set positionning screw Brake FCL 132		1
A	314106150112	Complete brake 20V - Brake FCM 112	9+11+12+15+17+19+21+24+25+26+27+28+29+31+32	1
A	342018203002	Complete brake 20V - Brake FCO	9+11+12+15+17+19+21+24+25+26+27+28+29+31+32	1
A	314106151050	Complete brake 100V - Brake FCL 132	9+11+12+15+17+19+21+24+25+26+27+28+29+31+32	1
B	343038223001	Brake set - Brake FCL 132	12+25+27	1
B	342028223002	Brake set - Brake FCM 112	12+25+27	1
C	342028323028	Brake torque adjustment set Brake FCL 132	25+26+27+28	1
C	342028223008	Brake torque adjustment set Brake FCM 112	25+26+28+29	1
D	342028223005	Coil set - Brake FCM 112	9+24+31+32	1
E	343038222008	Hub set - Brake FCL 132		1
E	314106150106	Hub set - Brake FCM 112	16+17+19	1

## 5.2) GHUC brake for RD

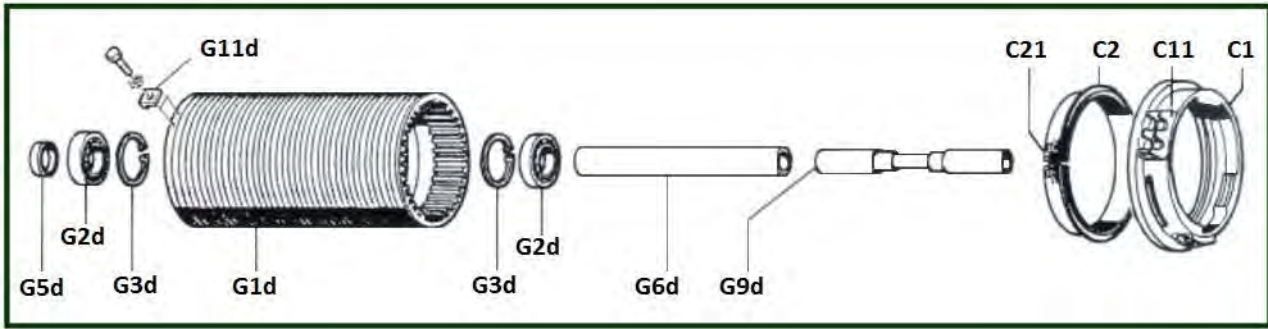


item	reference	description	observation	Quantity
1	<a href="#">314106151000</a>	Complete brake GHUC 55 for 3 phases Motor type HFUCG - 112 220/380V	Moteur BBC - BBC MOTOR	1
1	<a href="#">314106151100</a>	Complete brake GHUC 110 for 3 phases Motor type HFUCG - 132 220/380V	Moteur BBC - BBC MOTOR	1
4	<a href="#">314106151025</a>	Splined bush for motor type HFUCG 112 with GHUC 55 brake	Moteur BBC - BBC MOTOR	1
4	<a href="#">314106151125</a>	Splined bush for motor type HFUCG 132 with GHUC 110 brake	Moteur BBC - BBC MOTOR	1
6	<a href="#">314106151029</a>	Brake coil GHUC 55 for motor type HFUCG 112	Moteur BBC - BBC MOTOR	1
6	<a href="#">314106151129</a>	Brake coil GHUC 110 for motor type HFUCG 132	Moteur BBC - BBC MOTOR	1
13	<a href="#">314106151026</a>	Brake disc GHUC 55 for motor type HFUCG 112	Moteur BBC - BBC MOTOR	1
13	<a href="#">314106151126</a>	Brake disc GHUC 110 for motor type HFUCG 132	Moteur BBC - BBC MOTOR	1

## 6) Drum / Coupling



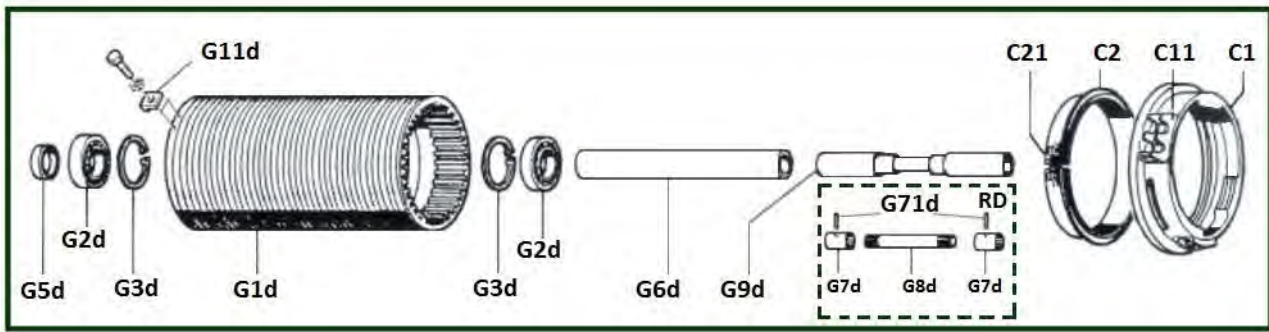
## 6.1) EUROBLOC D & DA



item	reference	description	observation	Quantity
-	<a href="#">5352101B</a>	Drum and crown gear - 89 teeth		1
-	<a href="#">7281086Z</a>	Key 8 x 7 x 60	Ø 400 - D, E, F	1
-	<a href="#">5252135T</a>	Retaining plate		1
C1	<a href="#">3252322H</a>	Complete left rope guide	4/2	1
C1	<a href="#">3252320F</a>	Complete right rope guide	1/1 - 2/1 - 4/1 - 6/1	1
C2	<a href="#">E1PD202T</a>	Nylon rope pressure spring		1
C11	<a href="#">5232342D</a>	Traveller for rope guide		1
C21	<a href="#">5242332N</a>	Pressure ring spring - 10,5		1
G1d	<a href="#">5252112T</a>	Drum and crown gear	D-L - 1filet 12,5	1
G1d	<a href="#">5252122D</a>	Drum and crown gear	D-L - 2 filets 12,5	1
G1d	<a href="#">5252111S</a>	Drum and crown gear	D-N - 1filet 12,5	1
G1d	<a href="#">5252121C</a>	Drum and crown gear	D-N - 2 filets 12,5	1
G1d	<a href="#">5252113U</a>	Drum and crown gear	D-SL - 1filet 12,5	1
G1d	<a href="#">5252114V</a>	Drum and crown gear	D-SSL - 1filet 12,5	1
G1d	<a href="#">5352111N</a>	Drum and crown gear - Lg 402 mm	DA-RD-N - 1 filet 12,5 D	1
G1d	<a href="#">5352121Y</a>	Drum and crown gear - Lg 402 mm	DA-RD-N - 2 filets 12,5	1
G1d	<a href="#">5352122Z</a>	Drum and crown gear - Lg 617 mm	DA-RD-L - 2 filets 12,5	1
G1d	<a href="#">5352121P</a>	Drum and crown gear - Lg 617 mm	DA-RD-L - 1 filet 12,5 D	1
G1d	<a href="#">5352113Q</a>	Drum and crown gear - Lg 882 mm	DA-RD-SL - 1 filet 12,5 D	1
G1d	<a href="#">5352123A</a>	Drum and crown gear - Lg 882 mm	DA-RD-SL - 2 filets 12,5	1
G1d	<a href="#">5352124B</a>	Drum and crown gear - Lg 1017 mm	DA-RD-SSL - 2filets 12,5	1
G1d	<a href="#">5352114R</a>	Drum and crown gear - Lg 1017 mm	RD SSL - 1 filet 12,5 D	1
G2d	<a href="#">5252136U</a>	Spacer collar	D	1
G2d	<a href="#">5352135P</a>	Spacer collar	DA-RD	1
G3d	<a href="#">7412121D</a>	Bearing	D	2
G3d	<a href="#">7412170G</a>	Bearing	DA-RD	2
G5d	<a href="#">7262085W</a>	Exterior circlip	DA-RD	1
G5d	<a href="#">7261110L</a>	Interior circlip 110	DA-RD	1
G6d	<a href="#">5252132Q</a>	Central tube	D-L	1
G6d	<a href="#">5252131P</a>	Central tube	D-N	1
G6d	<a href="#">5252133R</a>	Central tube	D-SL	1
G6d	<a href="#">5252134S</a>	Central tube	D-SSL	1
G6d	<a href="#">5352132K</a>	Central tube DA	DA-RD-L	1
G6d	<a href="#">5352131J</a>	Central tube DA	DA-RD-N	1
G6d	<a href="#">5352133L</a>	Central tube DA	DA-RD-SL	1
G6d	<a href="#">5352134N</a>	Central tube DA	DA-RD-SSL	1
G9d	<a href="#">3352420K</a>	Driving axle - Lg 403mm- 18 splines	DA7KwN	1
G9d	<a href="#">3352410Z</a>	Driving axle - Lg 403mm - 18 splines	DA-N 3 & 4,4Kw	1
G9d	<a href="#">3352421L</a>	Driving axle - Lg 615mm - 18 splines	DA7Kw L	1
G9d	<a href="#">3352412B</a>	Driving axle - Lg 882mm - 18 splines	DA-SL 3 & 4,4Kw	1
G9d	<a href="#">3352422N</a>	Driving axle - Lg 882mm - 18 splines	DA7KwSL	1
G9d	<a href="#">3352413C</a>	Driving axle - Lg 1015 mm - 18 splines	DA-SSL 3 & 4,4Kw	1
G9d	<a href="#">3252415J</a>	Driving axle - Lg 403mm - 6 splines	D-N 3 & 4,4Kw	1
G9d	<a href="#">3352411A</a>	Driving axle - Lg 615mm - 18 splines	DA-L 3 & 4,4Kw	1

G9d	<u>3252416K</u>	Driving axle - Lg 618mm- 6 splines	D-L 3 & 4,4Kw	1
G9d	<u>3252417L</u>	Driving axle - Lg 883mm - 6 splines	D-SL 3 & 4,4Kw	1
G9d	<u>3352423P</u>	Driving axle - Lg 1015mm - 18 splines	DA7KwSSL	1
G9d	<u>3252418N</u>	Driving axle - Lg 1018mm - 6 splines	D-SSL 3 & 4,4Kw	1
G11d	<u>8636251E</u>	Rope anchor on drum	DA-RD	2

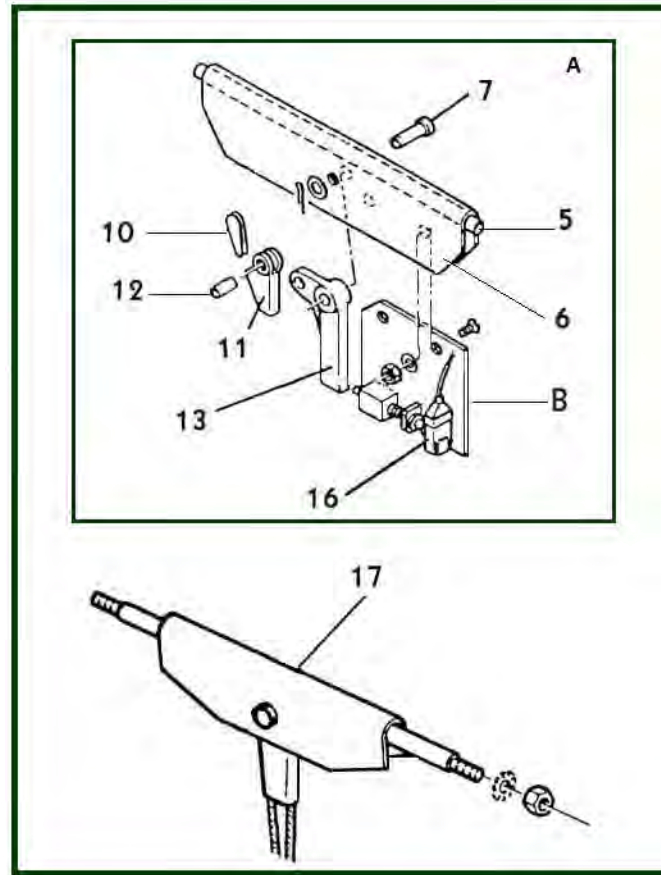
## 6.2) RD



item	reference	description	observation	Quantity
C1	<a href="#">3252322H</a>	Complete left rope guide	4/2	1
C1	<a href="#">3252320F</a>	Complete right rope guide	1/1 - 2/1 - 4/1 - 6/1	1
C2	<a href="#">E1PD202T</a>	Nylon rope pressure spring		1
C11	<a href="#">5232342D</a>	Traveller for rope guide		1
C21	<a href="#">5242332N</a>	Pressure ring spring - 10,5		1
G1d	<a href="#">5352111N</a>	Drum and crown gear - Lg 402 mm	DA-RD-N - 1 filet 12,5 D	1
G1d	<a href="#">5352121Y</a>	Drum and crown gear - Lg 402 mm	DA-RD-N - 2 filets 12,5	1
G1d	<a href="#">5352122Z</a>	Drum and crown gear - Lg 617 mm	DA-RD-L - 2 filets 12,5	1
G1d	<a href="#">5352112P</a>	Drum and crown gear - Lg 617 mm	DA-RD-L - 1 filet 12,5 D	1
G1d	<a href="#">5352113Q</a>	Drum and crown gear - Lg 882 mm	DA-RD-SL - 1 filet 12,5 D	1
G1d	<a href="#">5352123A</a>	Drum and crown gear - Lg 882 mm	DA-RD-SL - 2 filets 12,5	1
G1d	<a href="#">5352124B</a>	Drum and crown gear - Lg 1017 mm	DA-RD-SSL - 2filets 12,5	1
G1d	<a href="#">5352114R</a>	Drum and crown gear - Lg 1017 mm	RD SSL - 1 filet 12,5 D	1
G2d	<a href="#">5352135P</a>	Spacer collar	DA-RD	1
G3d	<a href="#">7412170G</a>	Bearing	DA-RD	2
G5d	<a href="#">7262085W</a>	Exterior circlip	DA-RD	1
G6d	<a href="#">5352132K</a>	Central tube DA	DA-RD-L	1
G6d	<a href="#">5352131J</a>	Central tube DA	DA-RD-N	1
G6d	<a href="#">5352133L</a>	Central tube DA	DA-RD-SL	1
G6d	<a href="#">5352134N</a>	Central tube DA	DA-RD-SSL	1
G7d	<a href="#">5362435J</a>	Bush		2
G8d	<a href="#">5352451G</a>	Driving axle L		1
G8d	<a href="#">5352450F</a>	Driving axle N		1
G8d	<a href="#">5352452H</a>	Driving axle SL		1
G8d	<a href="#">5352453J</a>	Driving axle SSL		1
G11d	<a href="#">8636251E</a>	Rope anchor on drum	DA-RD	2
G71d	<a href="#">7273156E</a>	Mecanindus pin		2



## 7) Overload limiter / Crosshead / Fixed point

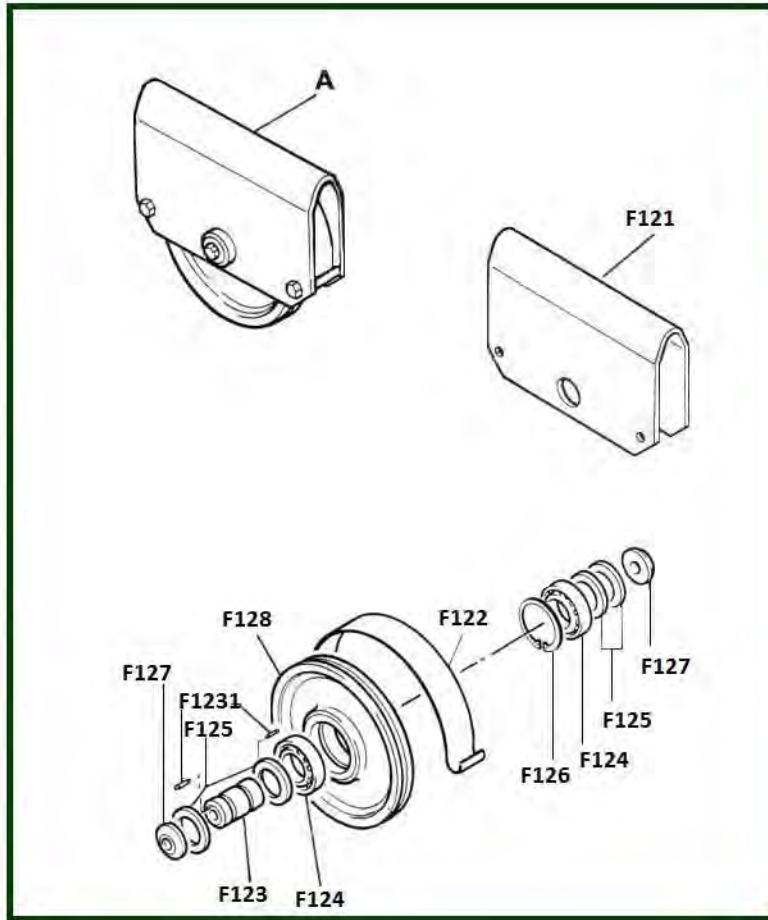


item	reference	description	observation	Quantity
5	<a href="#">5351302H</a>	Rope guide spacer L	DA - Ø16	1
5	<a href="#">5351301G</a>	Rope guide spacer N	DA - Ø16	1
5	<a href="#">5351303J</a>	Rope guide spacer SL	DA - Ø16	1
5	<a href="#">5351304K</a>	Rope guide spacer SSL	DA - Ø16	1
6	<a href="#">5251902Q</a>	Support rope end limiter L	D & DA - Ø 11 mm	1
6	<a href="#">5351902K</a>	Support rope end limiter L	DA - Ø 12 mm	1
6	<a href="#">5251901P</a>	Support rope end limiter N	D & DA - Ø 11 mm	1
6	<a href="#">5351901J</a>	Support rope end limiter N	DA - Ø 12 mm	1
6	<a href="#">5251903R</a>	Support rope end limiter SL	D & DA - Ø 11 & 12mm	1
6	<a href="#">5251904S</a>	Support rope end limiter SSL	D & DA - Ø 11 & 12mm	1
7	<a href="#">5251411F</a>	Fixed point axle	D & DA - Ø 11 mm	1
7	<a href="#">5261411A</a>	Shaft	DA - Ø 12 mm	1
10	<a href="#">8536225F</a>	Rope attachment	D & DA - Ø 11 mm	1
10	<a href="#">8536228J</a>	Rope wedge	Câble / Rope Ø 11 mm - DA	1
11	<a href="#">8536126Y</a>	Rope attachment	Câble / Rope Ø 12 mm	1
11	<a href="#">8536125X</a>	Rope wedge	Câble / Rope Ø 11 mmm - D & DA	1
12	<a href="#">5251441P</a>	Rope attachment axis SL-SSL	D & DA - Ø 11 mm	1
12	<a href="#">5261451U</a>	Rope attachment axis type N-L-SL-SSL	DA - Ø 12 mm	1
12	<a href="#">5251431C</a>	Rope attachment axle N-L		1
13	<a href="#">5251432D</a>	Right-angled lever N-L	D & DA - Ø 11 mm	1
13	<a href="#">5251442Q</a>	Right-angled lever SL-SSL	D & DA - Ø 11 mm	1
13	<a href="#">5261452V</a>	Right-angled lever type N-L-SL-SSL	DA - Ø 12 mm	1
16	<a href="#">7545111H</a>	Load limiter electrical contact	Avant fin/Before end 1991	1
16	<a href="#">7545112J</a>	Switch	Avant fin/Before end 1991	1
17	<a href="#">5251402W</a>	Stirrup L	D & DA - Ø 11 mm	1
17	<a href="#">5351461F</a>	Stirrup L	DA - 6/1	1
17	<a href="#">5351406W</a>	Stirrup L	DA - Ø 12 mm	1



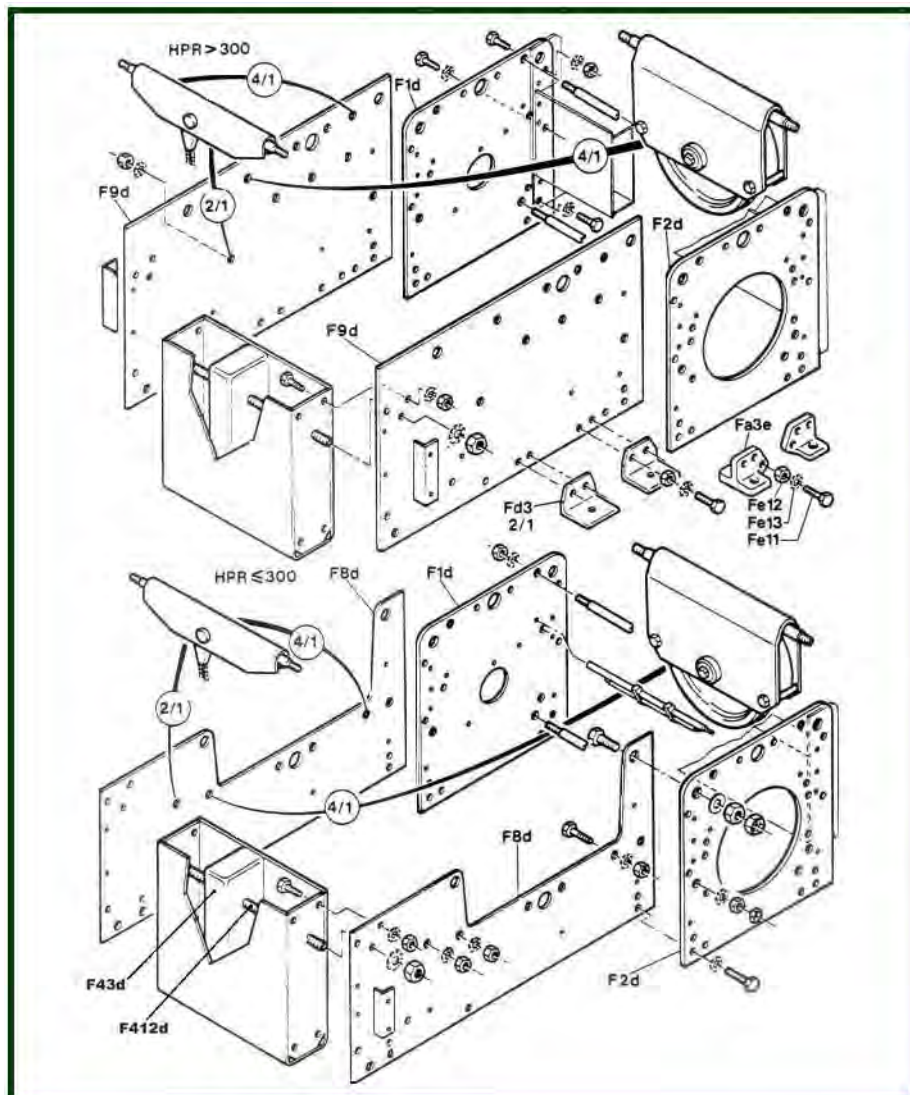
17	<u>5251401V</u>	Stirrup N	D & DA - Ø 11 mm	1
17	<u>5351460E</u>	Stirrup N	DA - 6/1	1
17	<u>5351405V</u>	Stirrup N	DA - Ø 12 mm	1
17	<u>5251403X</u>	Stirrup SL	D & DA - Ø 11 mm	1
17	<u>5351462G</u>	Stirrup SL	DA - 6/1	1
17	<u>5351407X</u>	Stirrup SL	DA - Ø 12 mm	1
17	<u>5251404Y</u>	Stirrup SSL	D & DA - Ø 11 mm	1
17	<u>5351463H</u>	Stirrup SSL	DA - 6/1	1
17	<u>5351408Y</u>	Stirrup SSL	DA - Ø 12 mm	1
A	<u>2251911E</u>	Limiter with support type L	Câble - Ø 11 mm	1
A	<u>2351911A</u>	Limiter with support type L	Câble - Ø 12 mm	1
A	<u>2251910D</u>	Limiter with support type N	Câble - Ø 11 mm	1
A	<u>2351910Z</u>	Limiter with support type N	Câble - Ø 12 mm	1
A	<u>2251912F</u>	Limiter with support type SL	Câble - Ø 11 mm	1
A	<u>2351912B</u>	Limiter with support type SL	Câble - Ø 12 mm	1
A	<u>2251913G</u>	Limiter with support type SSL	Câble - Ø 11 mm	1
A	<u>2351913C</u>	Limiter with support type SSL	Câble - Ø 12 mm	1
B	<u>3251911L</u>	Support plate complete without rolled plate suspension	D & DA	1

## 8) Return



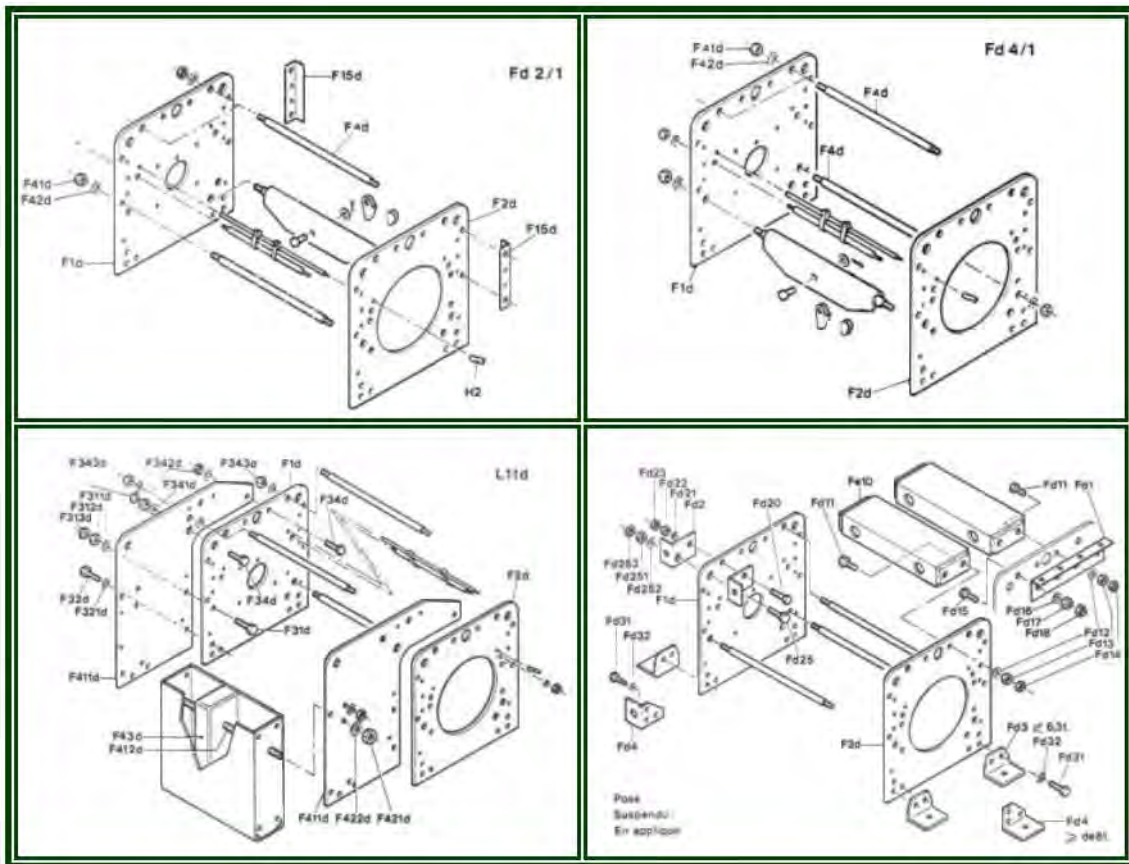
item	reference	description	observation	Quantity
A	<a href="#">4351560G</a>	Complete return pulley assembly	DA & RD - 6/1	1
A	<a href="#">3251511B</a>	Complete return pulley assembly L	D & DA - 4/1	1
A	<a href="#">3251510A</a>	Complete return pulley assembly N	D & DA - 4/1	1
A	<a href="#">3251516G</a>	Complete return pulley assembly SL	D & DA - 4/1	1
A	<a href="#">3251517H</a>	Complete return pulley assembly SSL	D & DA - 4/1	1
F121	<a href="#">5251512R</a>	Support type L	D & DA - 4/1	1
F121	<a href="#">5351561Q</a>	Support type L	DA & RD - 6/1	1
F121	<a href="#">5251511Q</a>	Support type N	D & DA - 4/1	1
F121	<a href="#">5351560P</a>	Support type N	DA & RD - 6/1	1
F121	<a href="#">5251516V</a>	Support type SL	D & DA - 4/1	1
F121	<a href="#">5351562R</a>	Support type SL	DA & RD - 6/1	1
F121	<a href="#">5251517W</a>	Support type SSL	D & DA - 4/1	1
F121	<a href="#">5351563S</a>	Support type SSL	DA & RD - 6/1	1
F122	<a href="#">5251513S</a>	Rope guide	D & DA & RD	1
F123	<a href="#">5253412F</a>	Sheave pin	D & DA & RD	1
F124	<a href="#">7412111T</a>	Bearing	D & DA & RD	2
F125	<a href="#">5251515U</a>	Spacer collar	D & DA & RD	4
F126	<a href="#">300081</a>	Interior circlip	D & DA & RD - 100 I	1
F127	<a href="#">5253622J</a>	Axle washer	D & DA & RD	2
F128	<a href="#">5253620G</a>	Pulley	D & DA & RD	1
F130	<a href="#">7211668V</a>	HM screw 12 x 90	D & DA & RD	2
F131	<a href="#">7221120U</a>	HM nut 12	D & DA & RD	2
F132	<a href="#">7232120A</a>	Grower washer (12)	D & DA & RD	2
F1231	<a href="#">7273153B</a>	Pin	D & DA & RD	2

## 9) Low headroom frame



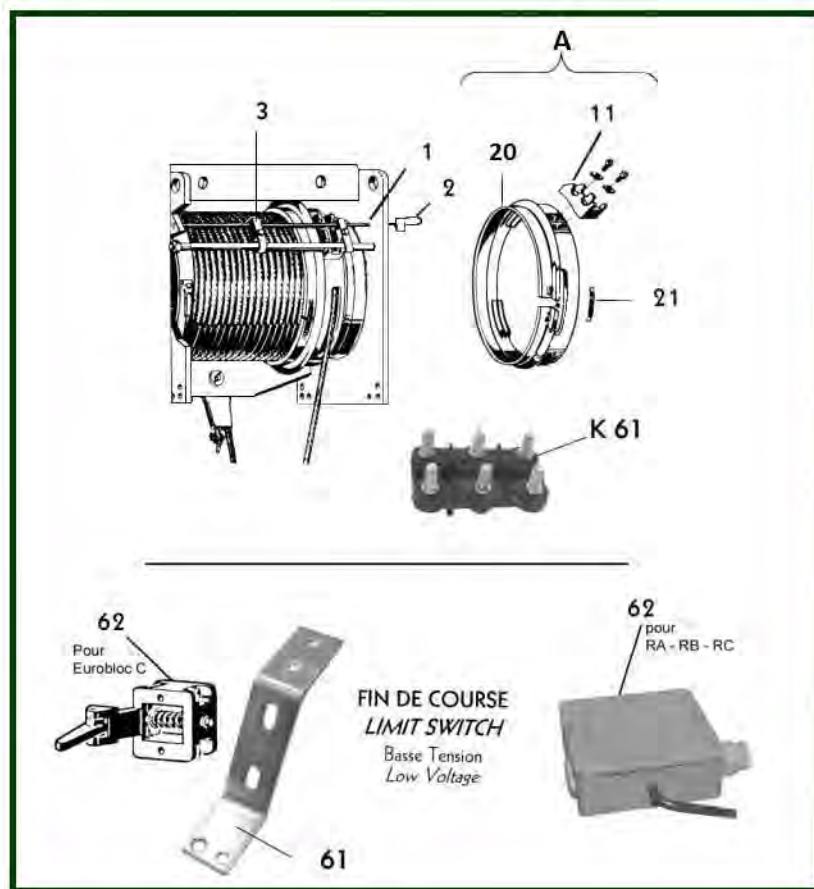
item	reference	description	observation	Quantity
F1d	<a href="#">5351103S</a>	Casing flange - Motor side	DA	1
F2d	<a href="#">5351102R</a>	Casing flange - Gearbox side	DA	1
F8d	<a href="#">5351104T</a>	Additive side plateprofil = 320 palan 2/1 - 4/1	DA	1
F9d	<a href="#">5351105U</a>	Additive side plateProfil > 300 palan 2/1 - 4/1	DA	1
F15d	<a href="#">5353101P</a>	Cubicle support	DA	2
F43d	<a href="#">5355301P</a>	Counterweight	DA	1
F412d	<a href="#">5353103R</a>	Threaded rod L - SL - SSL	DA	1
F412d	<a href="#">5353102Q</a>	Threaded rod N	DA	1
Fa3e	<a href="#">5452580T</a>	Mounting cleat left	DA	2
Fa3e	<a href="#">5452581U</a>	Mounting cleat right	DA	2
Fd3	<a href="#">5542580U</a>	Foot mountings	DA	4
Fe11	<a href="#">7211912K</a>	HM screw 20 x 60	DA	1
Fe12	<a href="#">831523</a>	Nut H M20	C1	1
Fe13	<a href="#">7232200N</a>	Washer		1

## 10) Normal headroom frame



item	reference	description	observation	Quantity
F1d	<a href="#">5351103S</a>	Casing flange - Motor side	DA	1
F2d	<a href="#">5351102R</a>	Casing flange - Gearbox side	DA	1
F15d	<a href="#">5635005S</a>	Cubicle support	DA	2
F43d	<a href="#">5355301P</a>	Counterweight	DA	1
F411d	<a href="#">5351101Q</a>	Additive side plate	DA	2
F412d	<a href="#">5353103R</a>	Threaded rod L - SL - SSL	DA	1
F412d	<a href="#">5353102Q</a>	Threaded rod N	DA	1
Fe10	<a href="#">5542511U</a>	Cross head type L	DA	1
Fe10	<a href="#">5542510T</a>	Cross head type N	DA	1
Fe10	<a href="#">5542512V</a>	Cross head type SL	DA	1
Fe10	<a href="#">5542513W</a>	Cross head type SSL	DA	1

## 11) Rope guide / Limit switch



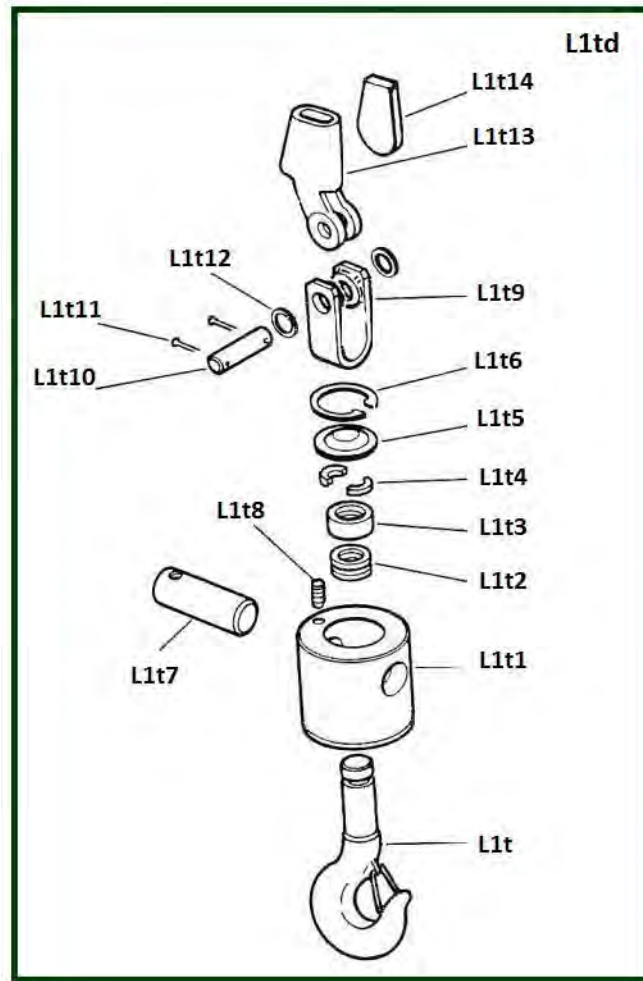
## 11.1) EUROBLOC D & DA

item	reference	description	observation	Quantity
1	<a href="#">5251332V</a>	Limit switch operating rod L	D & DA - Lg 735 mm	1
1	<a href="#">5231332F</a>	Limit switch operating rod L	Lg 525 mm	1
1	<a href="#">5251333W</a>	Limit switch operating rod SL	D & DA - Lg 1000 mm	1
1	<a href="#">5251334X</a>	Limit switch operating rod SSL	D & DA - Lg 1170 mm	1
2	<a href="#">5231343T</a>	Threaded ferrule for limit rod		1
3	<a href="#">5231342S</a>	Guide for tappets		2
3	<a href="#">7211254V</a>	Screw		2
3	<a href="#">5231341R</a>	Tappet		2
3	<a href="#">7232050Z</a>	Washer		2
11	<a href="#">5232342D</a>	Traveller for rope guide		1
20	<a href="#">E1PD202T</a>	Nylon rope pressure spring		1
21	<a href="#">5242332N</a>	Pressure ring spring - 10,5		1
61	<a href="#">5252316Q</a>	Bracket	D-DA & RD	2
62	<a href="#">5632003T</a>	Hoisting limit switch contact bracket	Basse tension / Low voltage	1
62	<a href="#">3632111X</a>	Limit switch contact	Basse tension pour / Low voltage for C	1
-	<a href="#">7541412N</a>	Limit switch contact - Top		1
A	<a href="#">3252322H</a>	Complete left rope guide	4/2	1
A	<a href="#">3252320F</a>	Complete right rope guide	1/1 - 2/1 - 4/1 - 6/1	1
T	<a href="#">5251302N</a>	Rope guide spacer L	D - Ø16	1
T	<a href="#">5351302H</a>	Rope guide spacer L	DA - Ø16	1
T	<a href="#">5351301G</a>	Rope guide spacer N	DA - Ø16	1
T	<a href="#">5251301L</a>	Rope guide spacer N	D - Ø16	1
T	<a href="#">5351303J</a>	Rope guide spacer SL	DA - Ø16	1
T	<a href="#">5351304K</a>	Rope guide spacer SSL	DA - Ø16	1
T	<a href="#">5251304Q</a>	Rope guide spacer SSL	D - Ø16	1
T	<a href="#">5251303P</a>	Rope guide spacer SL	D - Ø16	1

## 11.2) RD

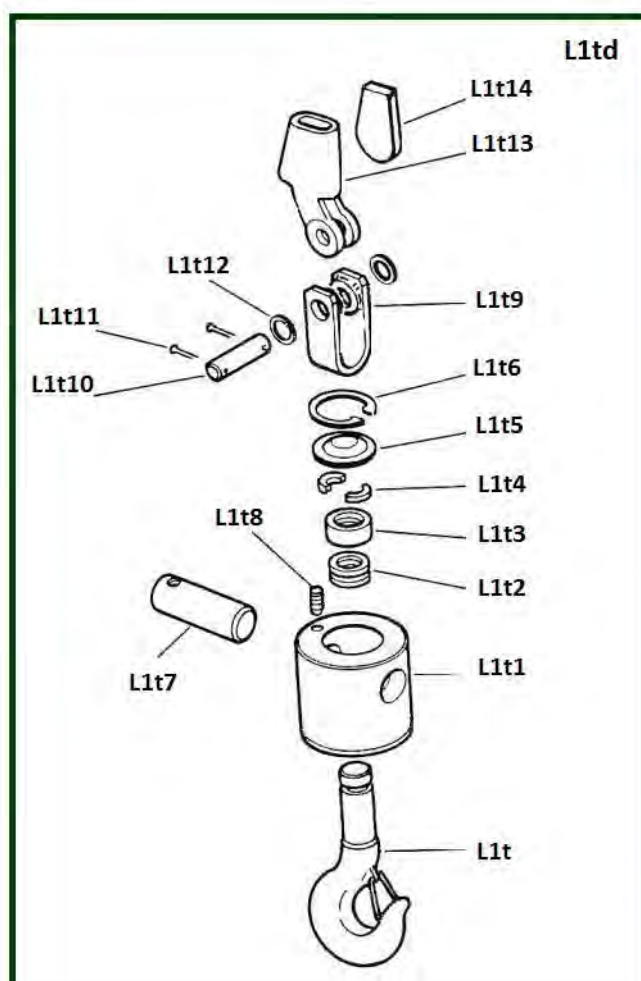
item	reference	description	observation	Quantity
1	<u>3141061081RD</u>	Limit switch operating rod L	RD - Lg 735 mm	1
1	<u>3141061080RD</u>	Limit switch operating rod N	RD - Lg 525 mm	1
1	<u>3141061082RD</u>	Limit switch operating rod SL	RD - Lg 1000 mm	1
1	<u>3141061083RD</u>	Limit switch operating rod SSL	RD - Lg 1170 mm	1
3	<u>5231342S</u>	Guide for tappets		2
3	<u>7211254V</u>	Screw		2
3	<u>5231341R</u>	Tappet		2
3	<u>7232050Z</u>	Washer		2
11	<u>5232342D</u>	Traveller for rope guide		1
20	<u>E1PD202T</u>	Nylon rope pressure spring		1
21	<u>5242332N</u>	Pressure ring spring - 10,5		1
61	<u>5252316Q</u>	Bracket	D-DA & RD	2
62	<u>30140510515</u>	Limit switch contact	Basse tension / Low voltage	1
	<u>7541412N</u>	Limit switch contact - Top		1
A	<u>3252322H</u>	Complete left rope guide	4/2	1
A	<u>3252320F</u>	Complete right rope guide	1/1 - 2/1 - 4/1 - 6/1	1
T	<u>5351302H</u>	Rope guide spacer L	DA - Ø16	1
T	<u>5351301G</u>	Rope guide spacer N	DA - Ø16	1
T	<u>5351303J</u>	Rope guide spacer SL	DA - Ø16	1
T	<u>5351304K</u>	Rope guide spacer SSL	DA - Ø16	1

## 12) Hook block - 1 fall



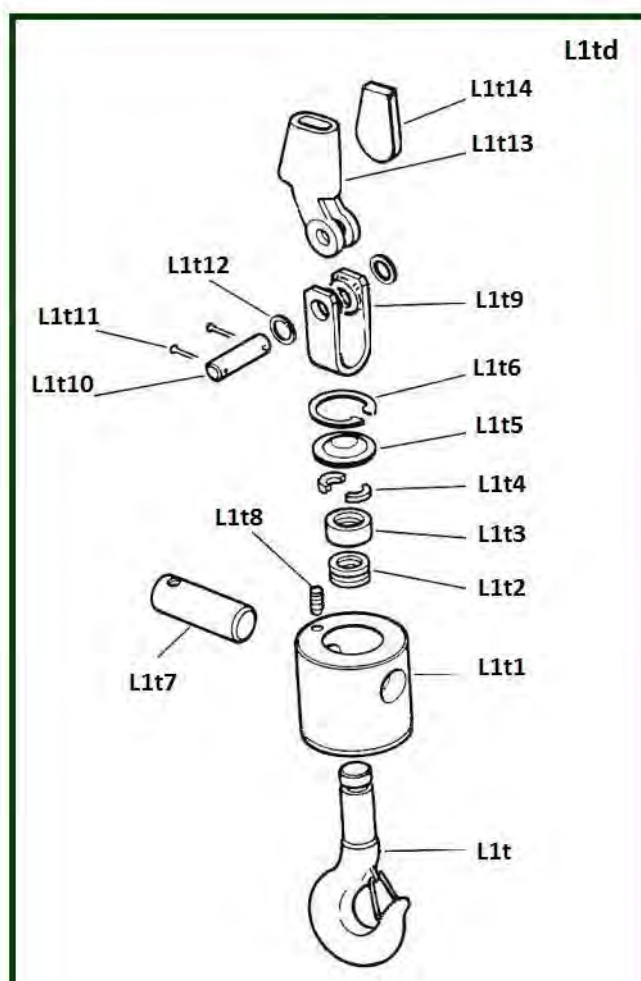


## 12.1) CABLE Ø 11 mm



item	reference	description	observation	Quantity
-	<a href="#">SR32F</a>	Safety catch (wire)	Câble / Rope Ø 11 & 12 mm	1
L1t1	<a href="#">5233301W</a>	Washer	Câble / Rope Ø 11 & 12 mm	1
L1t2	<a href="#">7431062S</a>	Thrust bearing		1
L1t3	<a href="#">5233612J</a>	Cylindrical dish	Câble / Rope Ø 11 & 12 mm	1
L1t4	<a href="#">5233613K</a>	Half segment ring	Câble / Rope Ø 11 & 12 mm	1
L1t5	<a href="#">5233615N</a>	Cap	Câble / Rope Ø 11 & 12 mm	1
L1t6	<a href="#">7261080D</a>	Internal circlip - Ø 80		1
L1t7	<a href="#">5233302X</a>	Axle	Câble / Rope Ø 11 & 12 mm	1
L1t8	<a href="#">7217434N</a>	Pointed screw	Câble / Rope Ø 11 & 12 mm	1
L1t9	<a href="#">5253311W</a>	Stirrup	Câble / Rope Ø 11 mm	1
L1t10	<a href="#">5253312X</a>	Rope attachment axle	Câble / Rope Ø 11 mm	1
L1t11	<a href="#">7271405B</a>	Split pins	Câble / Rope Ø 11 mm	1
L1t12	<a href="#">7231162J</a>	Plate washer	Câble / Rope Ø 11 mm	1
L1t13	<a href="#">8536125X</a>	Rope wedge	Câble / Rope Ø 11 mm - D & DA	1
L1t14	<a href="#">8536228J</a>	Rope wedge	Câble / Rope Ø 11 mm - DA	1
L1t	<a href="#">5233610G</a>	Hook with safety catch		1
L1td	<a href="#">3253310G</a>	Hook assembly - 1 fall	Câble / Rope Ø 11 & 12 mm	1

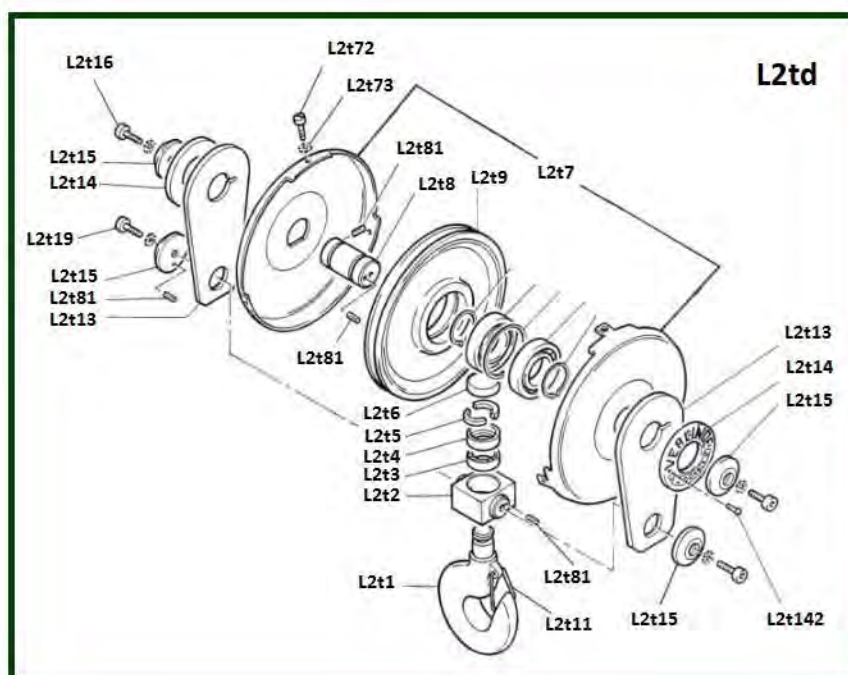
## 12.2) CABLE Ø 12 mm



item	reference	description	observation	Quantity
	<a href="#">SR32F</a>	Safety catch (wire)	Câble / Rope Ø 11 & 12 mm	1
L1t1	<a href="#">5233301W</a>	Washer	Câble / Rope Ø 11 & 12 mm	1
L1t2	<a href="#">7431062S</a>	Thrust bearing		1
L1t3	<a href="#">5233612J</a>	Cylindrical dish	Câble / Rope Ø 11 & 12 mm	1
L1t4	<a href="#">5233613K</a>	Half segment ring	Câble / Rope Ø 11 & 12 mm	1
L1t5	<a href="#">5233615N</a>	Cap	Câble / Rope Ø 11 & 12 mm	1
L1t6	<a href="#">7261080D</a>	Internal circlip - Ø 80		1
L1t7	<a href="#">5233302X</a>	Axle	Câble / Rope Ø 11 & 12 mm	1
L1t8	<a href="#">7217434N</a>	Pointed screw	Câble / Rope Ø 11 & 12 mm	1
L1t9	<a href="#">5263311R</a>	Stirrup	Câble / Rope Ø 12 mm	1
L1t10	<a href="#">5263312S</a>	Rope attachment axle	Câble / Rope Ø 12 mm	1
L1t11	<a href="#">831656</a>	Split pin		2
L1t12	<a href="#">400762</a>	Washer	C1 - Câble / Rope Ø 12 mm	2
L1t13	<a href="#">8536126Y</a>	Rope attachment	Câble / Rope Ø 12 mm	1
L1t14	<a href="#">8536128J</a>	Rope wedge	Câble / Rope Ø 11 & 12 mm	1
L1t	<a href="#">5233610G</a>	Hook with safety catch		1
L1td	<a href="#">2253311B</a>	Hook assembly - 1 fall	Câble / Rope Ø 12 mm	1

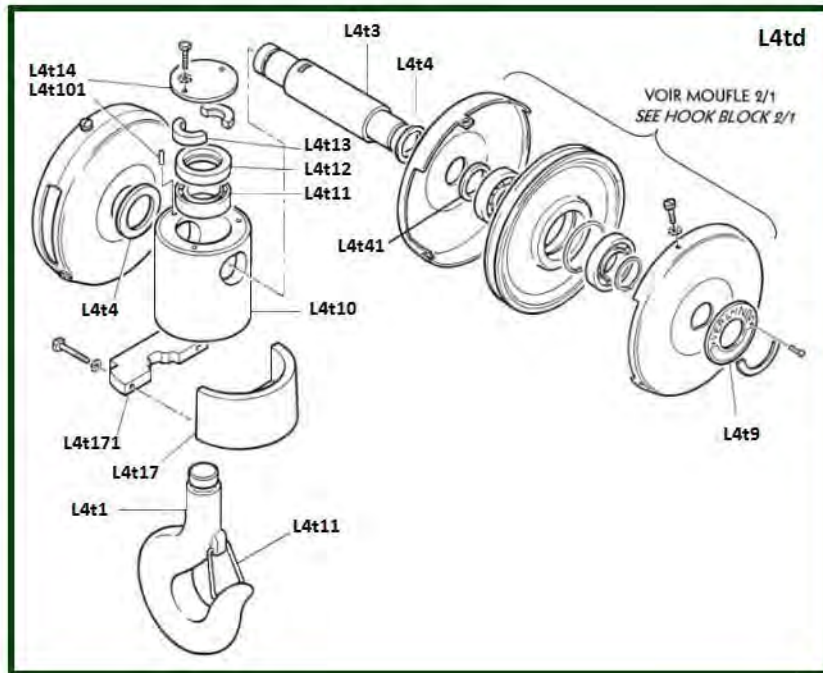
## 13) Hook block - 2 falls

3200 kg 1Am/5000 kg 1bm



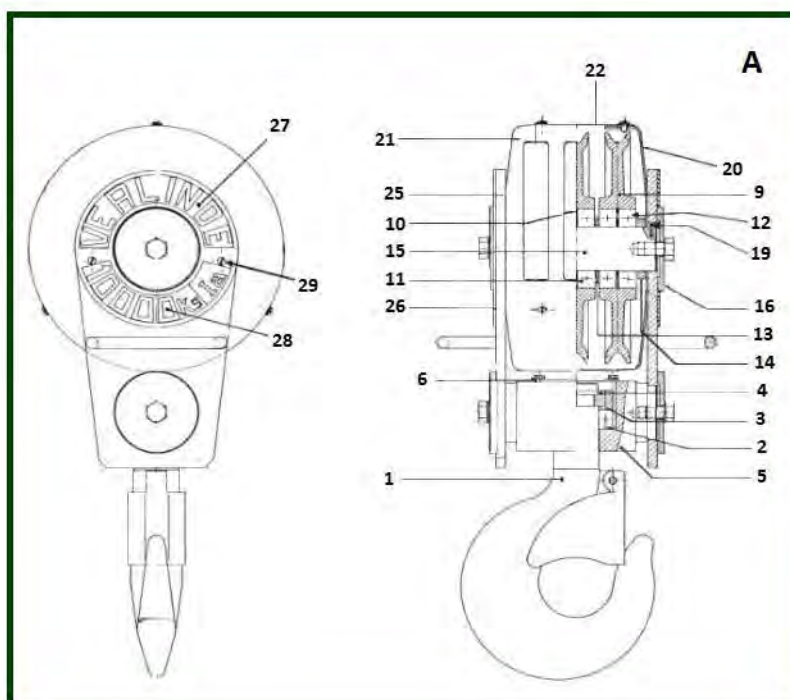
item	reference	description	observation	Quantity
L1t10	<a href="#">7262055P</a>	Exterior circlip - Ø 55		2
L2t1	<a href="#">5243610B</a>	Hook with safety catch		1
L2t2	<a href="#">5253414H</a>	Hook crosshead		1
L2t3	<a href="#">7431081N</a>	Thrust bearing		1
L2t4	<a href="#">5243612D</a>	Seating ring		1
L2t5	<a href="#">5243613E</a>	2 part collar		1
L2t6	<a href="#">5253416K</a>	Cover		1
L2t7	<a href="#">3253510Q</a>	Set of hook cover		1
L2t8	<a href="#">5253412F</a>	Sheave pin	D & DA & RD	1
L2t9	<a href="#">5253620G</a>	Pulley	D & DA & RD	1
L2t11	<a href="#">7412111T</a>	Bearing	D & DA & RD	2
L2t11	<a href="#">SR40F</a>	Safety catch steel		1
L2t11	<a href="#">SR40XP</a>	Safety catch to be bolled on fook		1
L2t11	<a href="#">SR40X</a>	Safety catch to be welden		1
L2t12	<a href="#">7261100A</a>	Interior circlip - Ø 100		1
L2t13	<a href="#">5253415J</a>	Strap		2
L2t14	<a href="#">KP3C2</a>	Name plate blank		2
L2t14	<a href="#">KP3C1CD</a>	Name plate VERLINDE		2
L2t14	<a href="#">KP12A2</a>	SWL plate 2 groupe	Indiquer le groupe / Indicate the group	2
L2t14	<a href="#">KP12A16</a>	SWL plate	1600 kg	2
L2t14	<a href="#">KP12A20</a>	SWL plate	2000 kg	2
L2t14	<a href="#">KP12A25</a>	SWL plate	2500 kg	2
L2t14	<a href="#">KP12A32</a>	SWL plate	3200 kg	2
L2t15	<a href="#">5253622J</a>	Axle washer	D & DA & RD	4
L2t16	<a href="#">7215455L</a>	CHC screw 8 x 25	25 x 25	2
L2t17	<a href="#">7232080G</a>	GROWER washer - Ø 8		4
L2t19	<a href="#">7215453J</a>	Screw CHC 8x16	Vis pour rail / Screw for shaft	1
L2t72	<a href="#">7214352N</a>	CBL screw 6 x 10	10 x 10	3
L2t73	<a href="#">7232060K</a>	Washer M6	Standard	3
L2t81	<a href="#">7273153B</a>	Pin	D & DA & RD	4
L2t142	<a href="#">7254409C</a>	Blind		6
L2td	<a href="#">3253410R</a>	Hook assembly - 2 falls	3200 kg	1
L2td	<a href="#">3243410W</a>	Hook assembly - 2 falls	Câble/ Rope Ø 8,5 mm	1

## 14) Hook block - 4 falls



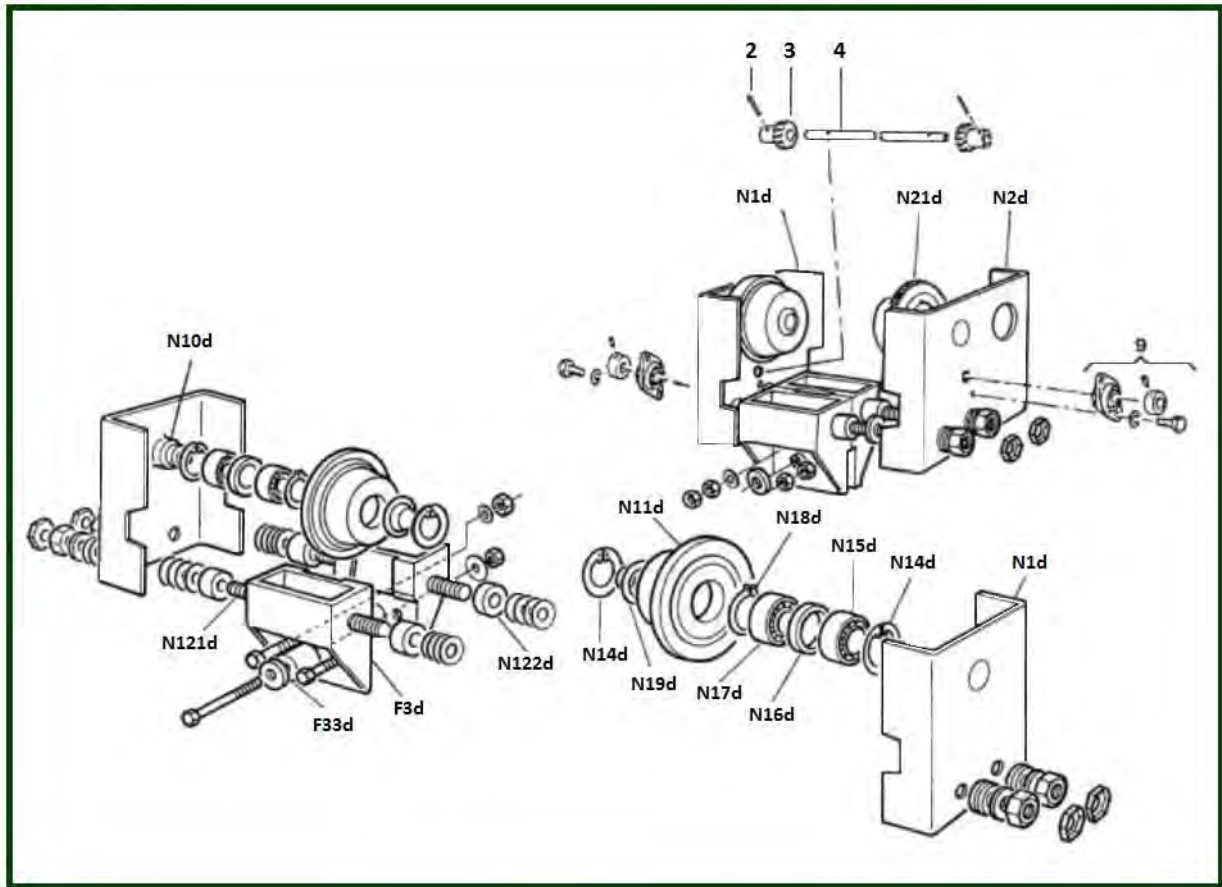
item	reference	description	observation	Quantity
1	<a href="#">5253610W</a>	Hook with safety catch		1
3	<a href="#">5253611X</a>	Axle of crosshead		1
4	<a href="#">5253616C</a>	Spacer washer		2
9	<a href="#">7254409C</a>	Blind		6
9	<a href="#">KP3C2</a>	Name plate blank		2
9	<a href="#">KP3C1CD</a>	Name plate VERLINDE		2
9	<a href="#">KP12A50</a>	SWL plate	5000 Kg	2
9	<a href="#">KP12A63</a>	SWL plate	6300 Kg	2
9	<a href="#">KP15A2</a>	SWL plate	Groupe II	2
10	<a href="#">5253618E</a>	Hook of crosshead		1
11	<a href="#">SR80F</a>	Safety catch steel		1
11	<a href="#">SR80XP</a>	Safety catch to be bolted on hook		1
11	<a href="#">7431112W</a>	Thrust bearing		1
12	<a href="#">5253614A</a>	Seating ring		1
13	<a href="#">5253613Z</a>	2 part collar		1
14	<a href="#">5273419C</a>	Thrust bearing cover		1
17	<a href="#">5253651R</a>	Counterweight half	Option	1
41	<a href="#">5253617D</a>	Spacer collar		2
101	<a href="#">7217434N</a>	Pointed screw	Câble / Rope Ø 11 & 12 mm	1
171	<a href="#">5253650Q</a>	Counterweight half		1
A	<a href="#">3253610H</a>	Bottom block assembly - 4 falls	6300 Kg	1

## 15) Hook block - 6 falls



item	reference	description	observation	Quantity
1	<a href="#">5253610W</a>	Hook with safety catch		1
2	<a href="#">7431112W</a>	Thrust bearing		1
3	<a href="#">5253614A</a>	Seating ring		1
4	<a href="#">5253613Z</a>	2 part collar		1
5	<a href="#">5253812R</a>	Crosshead		1
6	<a href="#">5273419C</a>	Thrust bearing cover		1
9	<a href="#">5253620G</a>	Pulley	D & DA & RD	3
10	<a href="#">7261100A</a>	Interior circlip - Ø 100		3
11	<a href="#">7412111T</a>	Bearing	D & DA & RD	6
12	<a href="#">5251525E</a>	Spacer washer for bearings		3
13	<a href="#">5351567W</a>	Spacer washer for pulleys		2
14	<a href="#">5351568X</a>	Spacer washer		2
15	<a href="#">5253811Q</a>	Sheave pin		1
16	<a href="#">5263616X</a>	Washer		4
19	<a href="#">7273153B</a>	Pin	D & DA & RD	1
20	<a href="#">5253411E</a>	Half cover		1
21	<a href="#">5253410D</a>	Half cover with lugs		1
22	<a href="#">5253813S</a>	Hoop piece		1
25	<a href="#">5253801D</a>	Bottom block support piece		2
26	<a href="#">KP4C</a>	Company name plate		2
27	<a href="#">KP10AV</a>	Company name plate VERLINDE		2
28	<a href="#">KP13A100</a>	SWL plate	10 000 Kg	2
29	<a href="#">7214353P</a>	Fixing screw		4
30	<a href="#">7211806V</a>	Screw - HM 16 x 30		4
31	<a href="#">7232160U</a>	Washer		4
A	<a href="#">3253810A</a>	Hook block complet - 6 falls	DA 100	1

## 16) Monorail trolley type

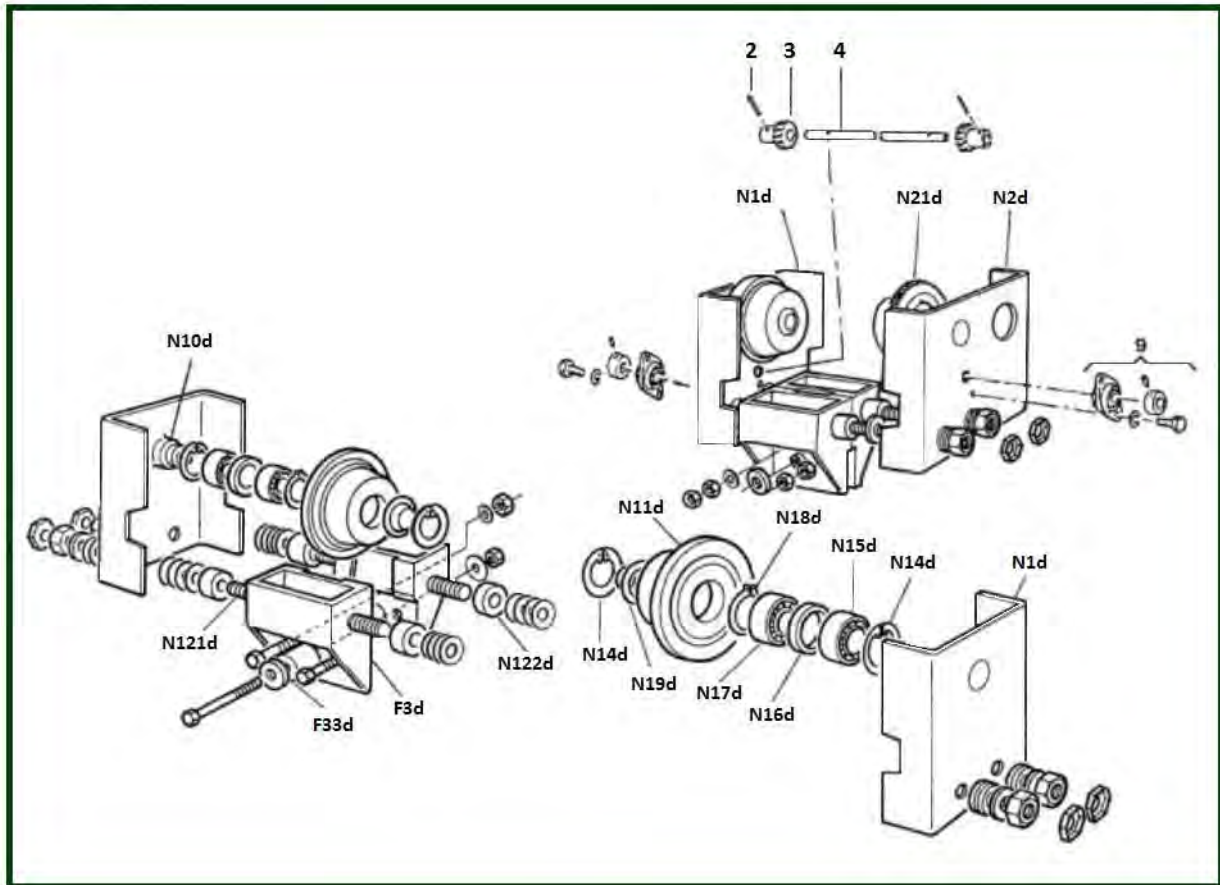


## 16.1) EUROBLOC D DA

item	reference	description	observation	Quantity
2	<u>7273356X</u>	MECANINDUS 6 x 30 pin		2
3	<u>5833520H</u>	Intermediate pinion	20 Dts / 20 th	2
4	<u>25015001</u>	Jackshaft	Fer 90 to 150 - Lg 340 mm	1
4	<u>25015002</u>	Jackshaft	Fer 151 to 200 - Lg 390 mm	1
4	<u>25015003</u>	Jackshaft	Fer 201 to 250 - Lg 440 mm	1
4	<u>25015004</u>	Jackshaft	Fer 252 to 300 - Lg 490 mm	1
9	<u>7447100Z</u>	Bearing PFT		2
	<u>7661106Q</u>	Earth brush	C1-C2-C3 - D & DA - 75 amp.	1
	<u>ECDK20T</u>	Geared wheel with fittings without axle	Ancien modèle	1
	<u>ECDK10T</u>	Idler runner with fittings without axle	Ancien modèle	1
	<u>7541312D</u>	Travel limit switch	C1-C2-C3	1
F3d	<u>14104-3304</u>	Crosshead		2
F3d	<u>5542252N</u>	Crosshead		2
F33d	<u>5542208Q</u>	Suspensions sleeves		2
N1d	<u>3541111J</u>	Ungeared side plate with fittings	Avant/Before 01/1986	3
N1d	<u>3541113L</u>	Ungeared side plate with fittings	Depuis/Since 01/1986	1
N1d	<u>3541114N</u>	Ungeared side plate with fittings - Driven runner	Depuis/Since 01/1986	1
N1d	<u>5541111X</u>	Ungeared side plate without fittings with axle	Avant/Before 01/1986	3
N1d	<u>5541113Z</u>	Ungeared side plate without fittings with axle	Depuis/Since 01/1986	2
N2d	<u>3541311B</u>	Geared side plate with fittings	Avant/Before 01/1986	1
N2d	<u>3541313D</u>	Geared side plate with fittings - Left end carriage	Depuis/Since 01/1986	1
N2d	<u>5541311Q</u>	Geared side plate without fittings with axle	Avant/Before 01/1986	1
N2d	<u>5541313S</u>	Geared side plate without fittings with axle	Depuis/Since 01/1986	1
N10d	<u>6541104W</u>	Axle		4
N11d	<u>4541111R</u>	Idler runner with fittings without axle		1
N11d	<u>5441151V</u>	Idler runner without fittings with axle	Ø 150 x 186	1
N14d	<u>7261080D</u>	Internal circlip - Ø 80		2
N15d	<u>7413070K</u>	Bearing		1
N16d	<u>5441152W</u>	Collar		1
N17d	<u>7412081K</u>	Bearing		1
N18d	<u>7262035S</u>	Circlip - Ø 35		1
N19d	<u>5233615N</u>	Cap	Câble / Rope Ø 11 & 12 mm	1
N21d	<u>4541311H</u>	Geared wheel with fittings without axle		1
N21d	<u>5441351N</u>	Geared wheel without fittings	Ø 150 x 186 - 60 dents / 60 teeth	1
N121d	<u>5442102D</u>	Spacer	Lg 370mm	4
N121d	<u>5452102Y</u>	Spacer	Lg 440mm	4
N121d	<u>5452106C</u>	Spacer	Lg 540mm	4
N122d	<u>5442116U</u>	Collar	ép. /th. 25mm	4
N122d	<u>5442117V</u>	Collar	ép. /th. 50mm	4



## 16.2) RD



item	reference	description	observation	Quantity
2	<a href="#">7273356X</a>	MECANINDUS 6 x 30 pin		2
3	<a href="#">33141043294</a>	Intermediate pinion	13 Dts / 13 th	2
3	<a href="#">5833520H</a>	Intermediate pinion	20 Dts / 20 th	2
4	<a href="#">25015001</a>	Jackshaft	Fer 90 to 150 - Lg 340 mm	1
4	<a href="#">25015002</a>	Jackshaft	Fer 151 to 200 - Lg 390 mm	1
4	<a href="#">25015003</a>	Jackshaft	Fer 201 to 250 - Lg 440 mm	1
4	<a href="#">25015004</a>	Jackshaft	Fer 252 to 300 - Lg 490 mm	1
9	<a href="#">7447100Z</a>	Bearing PFT		2
-	<a href="#">7661106Q</a>	Earth brush	C1-C2-C3 - D & DA - 75 amp.	1
-	<a href="#">7541312D</a>	Travel limit switch	C1-C2-C3	1
=	<a href="#">ECDK20T</a>	Geared wheel with fittings without axle	Ancien modèle	1
=	<a href="#">ECDK10T</a>	Idler runner with fittings without axle	Ancien modèle	1
F3d	<a href="#">14104-3304</a>	Crosshead		2
F3d	<a href="#">5542252N</a>	Crosshead		2
F33d	<a href="#">5542208Q</a>	Suspensions sleeves		2
N1d	<a href="#">3541111J</a>	Ungeared side plate with fittings	Avant/Before 01/1986	3
N1d	<a href="#">3541113L</a>	Ungeared side plate with fittings	Depuis/Since 01/1986	1
N1d	<a href="#">3541114N</a>	Ungeared side plate with fittings - Driven runner	Depuis/Since 01/1986	1
N1d	<a href="#">5541111X</a>	Ungeared side plate without fittings with axle	Avant/Before 01/1986	3
N1d	<a href="#">5541113Z</a>	Ungeared side plate without fittings with axle	Depuis/Since 01/1986	2
N2d	<a href="#">3541311B</a>	Geared side plate with fittings	Avant/Before 01/1986	1
N2d	<a href="#">3541313D</a>	Geared side plate with fittings - Left end carriage	Depuis/Since 01/1986	1
N2d	<a href="#">5541311Q</a>	Geared side plate without fittings with axle	Avant/Before 01/1986	1

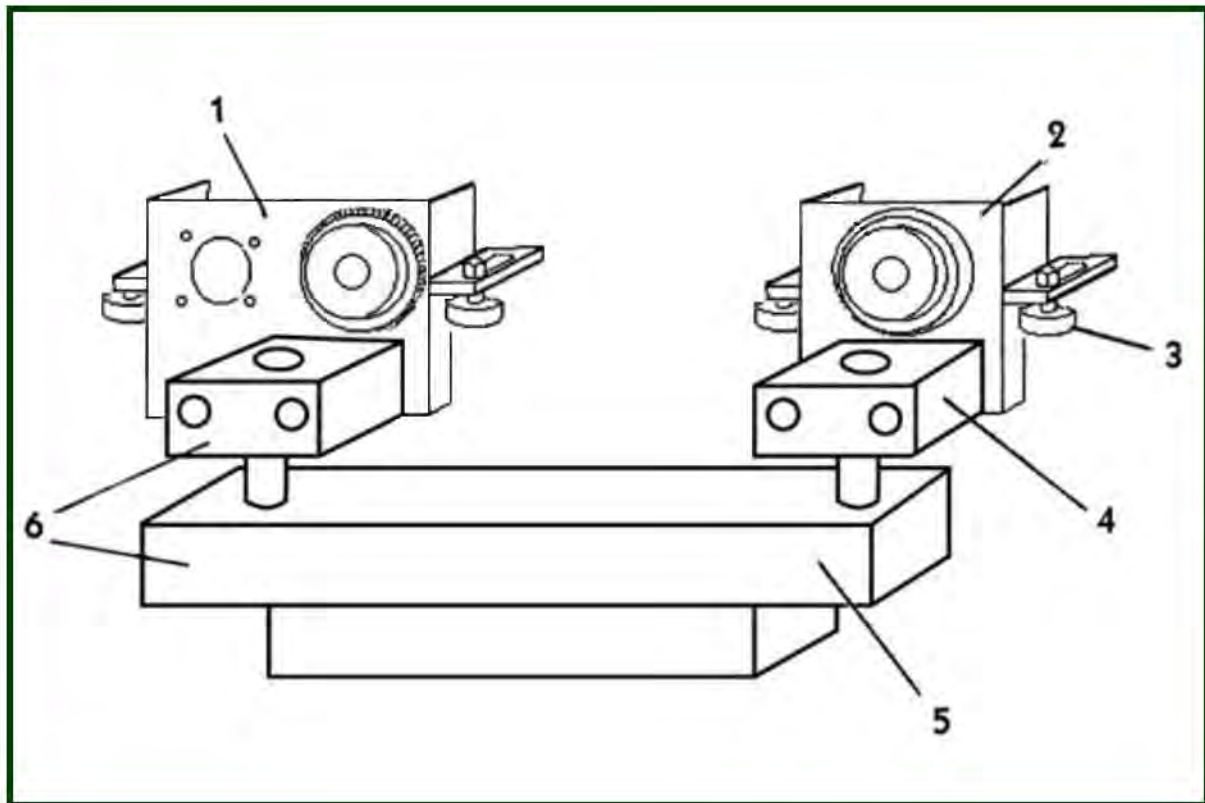


N2d	<a href="#">5541313S</a>	Geared side plate without fittings with axle	Depuis/Since 01/1986	1
N10d	<a href="#">6541104W</a>	Axle		4
N11d	<a href="#">4541111R</a>	Idler runner with fittings without axle		1
N11d	<a href="#">5441151V</a>	Idler runner without fittings with axle	Ø 150 x 186	1
N14d	<a href="#">7261080D</a>	Internal circlip - Ø 80		2
N15d	<a href="#">7413070K</a>	Bearing		1
N16d	<a href="#">5441152W</a>	Collar		1
N17d	<a href="#">7412081K</a>	Bearing		1
N18d	<a href="#">7262035S</a>	Circlip - Ø 35		1
N19d	<a href="#">5233615N</a>	Cap	Câble / Rope Ø 11 & 12 mm	1
N21d	<a href="#">4541311H</a>	Geared wheel with fittings without axle		1
N21d	<a href="#">5441351N</a>	Geared wheel without fittings	Ø 150 x 186 - 60 dents / 60 teeth	1
N121d	<a href="#">5442102D</a>	Spacer	Lg 370mm	4
N121d	<a href="#">5452102Y</a>	Spacer	Lg 440mm	4
N121d	<a href="#">5452106C</a>	Spacer	Lg 540mm	4
N122d	<a href="#">5442116U</a>	Collar	ép. /th. 25mm	4
N122d	<a href="#">5442117V</a>	Collar	ép. /th. 50mm	4

## 17) Trolley setting table

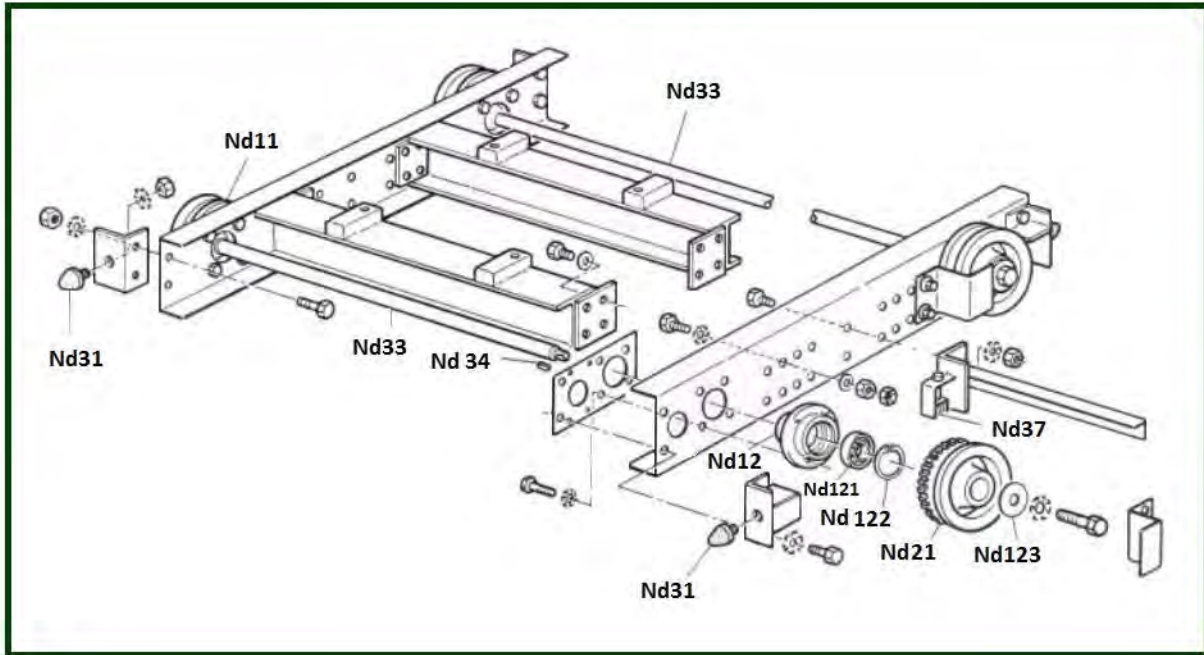
216	500	1	1	0	1	0
218	500	1	1	1/td>	1	0
220	500	1	1	0	0	1
222	500	1	1	0	1	1
224	500	1	1	0	1	1
226	500	1	1	1	1	1
228	500	1	1	0	0	2
230	500	1	1	1	0	2
232	500	1	1	0	1	2
234	500	1	1	1	1	2
236	500	1	1	0	0	3
238	500	1	1	1	0	3
240	500	1	1	0	1	3
242	500	1	1	1	1	3
244	500	1	1	0	0	4
246	500	1	1	1	0	4
248	500	1	1	0	1	4
250	500	1	1	1	1	4
252	500	1	1	0	0	5
254	500	1	1	1	0	5
256	500	1	1	0	1	5
258	500	1	1	1	1	5
260	500	0	2	1	0	0
262	500	0	2	0	1	0
264	500	0	2	1	1	0
266	500	0	2	0	0	1
268	500	0	2	1	0	1
270	500	0	2	0	1	1
271	500	0	2	1	1	1
274	500	0	2	0	0	2
276	500	0	2	1	0	2
278	500	0	2	0	1	2
280	500	0	2	1	1	2
282	500	0	2	0	0	3
284	500	0	2	1	0	3
286	500	0	2	0	1	3
288	500	0	2	1	1	3
290	500	0	2	0	0	4
292	500	0	2	1	0	4
294	500	0	2	0	1	4
296	500	0	2	1	1	4
298	500	0	2	0	0	5
299	500	0	2	1	0	5
216	500	1	1	0	1	0
218	500	1	1	1/td>	1	0
220	500	1	1	0	0	1
222	500	1	1	0	1	1
224	500	1	1	0	1	1
226	500	1	1	1	1	1
228	500	1	1	0	0	2
230	500	1	1	1	0	2
232	500	1	1	0	1	2
234	500	1	1	1	1	2
236	500	1	1	0	0	3
238	500	1	1	1	0	3
240	500	1	1	0	1	3
242	500	1	1	1	1	3
244	500	1	1	0	0	4
246	500	1	1	1	0	4
248	500	1	1	0	1	4
250	500	1	1	1	1	4
252	500	1	1	0	0	5
254	500	1	1	1	0	5
256	500	1	1	0	1	5
258	500	1	1	1	1	5
260	500	0	2	1	0	0
262	500	0	2	0	1	0
264	500	0	2	1	1	0
266	500	0	2	0	0	1
268	500	0	2	1	0	1
270	500	0	2	0	1	1
271	500	0	2	1	1	1
274	500	0	2	0	0	2
276	500	0	2	1	0	2
278	500	0	2	0	1	2
280	500	0	2	1	1	2
282	500	0	2	0	0	3
284	500	0	2	1	0	3
286	500	0	2	0	1	3
288	500	0	2	1	1	3
290	500	0	2	0	0	4
292	500	0	2	1	0	4
294	500	0	2	0	1	4
296	500	0	2	1	1	4
298	500	0	2	0	0	5
300	500	0	2	1	0	5

## 18) Swivelling trolley -Type II 78



item	reference	description	observation	Quantity
1	<a href="#">3511311T</a>	Geared side plate with fittings		2
1	<a href="#">5511311F</a>	Geared side plate without axle and support		2
2	<a href="#">3511111A</a>	Ungeared side plate with fittings		2
2	<a href="#">5511111P</a>	Ungeared side plate without fittings with axle and support		2
3	<a href="#">5501203U</a>	Axle		1
3	<a href="#">7412045W</a>	Bearing		1
3	<a href="#">5431153C</a>	Cover	I/77	1
3	<a href="#">830860</a>	Exterior circlip - Ø 20	C2	1
3	<a href="#">4501211W</a>	Guiding wheel set		4
3	<a href="#">300077</a>	Interior circlip	D et DA - I/77 - Ø 47	2
3	<a href="#">5501207Y</a>	Wheel		1
4	<a href="#">5512106V</a>	Crosshead only		2
5	<a href="#">5512108X</a>	Crosshead type L		1
5	<a href="#">5512107W</a>	Crosshead type N		1
5	<a href="#">5512109Y</a>	Crosshead type SL		1
5	<a href="#">5512110Z</a>	Crosshead type SSL		1
5	<a href="#">6512112H</a>	Pivot only		2
6	<a href="#">4512101H</a>	Complete crosshead N	Avec traverse rotation /With crossbar rotation	1
	<a href="#">7431073D</a>	Thrust bearing	Avant / Before 94	2
	<a href="#">7431074E</a>	Thrust bearing	Depuis / Since 94	2

## 19) Double girder trolley

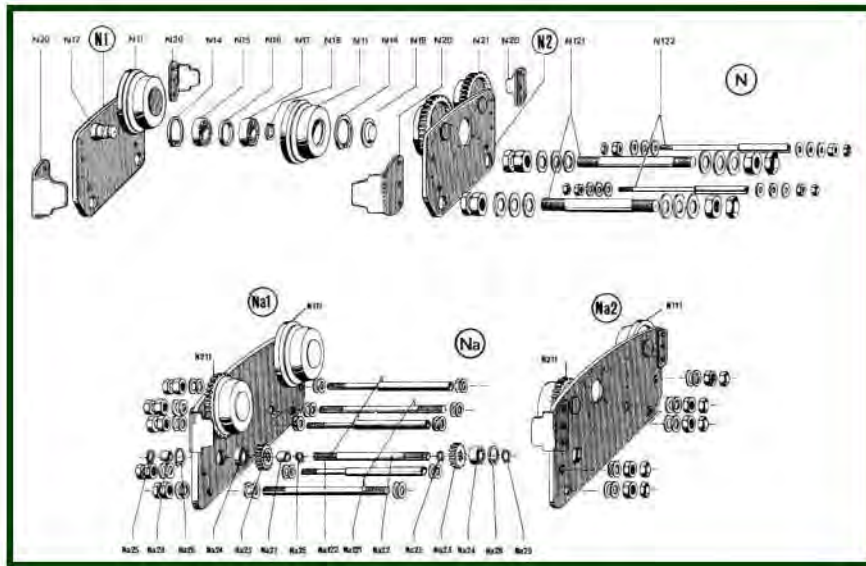


item	reference	description	observation	Quantity
Nd11	<a href="#">5471151D</a>	Idler runner - Ø160		3
Nd11	<a href="#">5481151Y</a>	Idler runner - Ø200		3
Nd11	<a href="#">5571151Z</a>	Idler runner - Ø200	Depuis / Since 06 / 83	3
Nd12	<a href="#">5571010W</a>	Bearing housing	Depuis / Since 06 / 83	4
Nd21	<a href="#">5471352X</a>	Driven runner - Ø160		1
Nd21	<a href="#">5481352S</a>	Driven runner - Ø200 - 76 teeth	63 mm	1
Nd21	<a href="#">5571351S</a>	Driven runner - Ø200 - 76 teeth	Depuis / Since 06 / 83 71 mm	1
Nd31	<a href="#">7910802Y</a>	Rubber buffer	Ø 80	4
Nd33	<a href="#">5572214E</a>	Shaft - 1,4m		2
Nd33	<a href="#">5472221S</a>	Shaft - 1,4m	Galet / Wheel Ø160	2
Nd33	<a href="#">5482221L</a>	Shaft - 1,4m	Pour galet / For wheel Ø200	2
Nd33	<a href="#">5482211A</a>	Shaft - 1m	Avant / Before 06 / 83 - Galet / Wheel - Ø200	2
Nd33	<a href="#">5472211F</a>	Shaft - 1m	Galet / Wheel Ø160	2
Nd33	<a href="#">5572210A</a>	Shaft groove - 1m		2
Nd34	<a href="#">7281142K</a>	Key		4
Nd37	<a href="#">7661106Q</a>	Earth brush	C1-C2-C3 - D & DA - 75 amp.	1
Nd121	<a href="#">7425100L</a>	Bearing		4
Nd121	<a href="#">7412101G</a>	Bearing	Après / After 06 / 83	4
Nd121	<a href="#">7417085Z</a>	Bearing	Galet / Wheel Ø160	4
Nd121	<a href="#">7261090Q</a>	Interior circlip		4
Nd121	<a href="#">5571012Y</a>	Washer		4

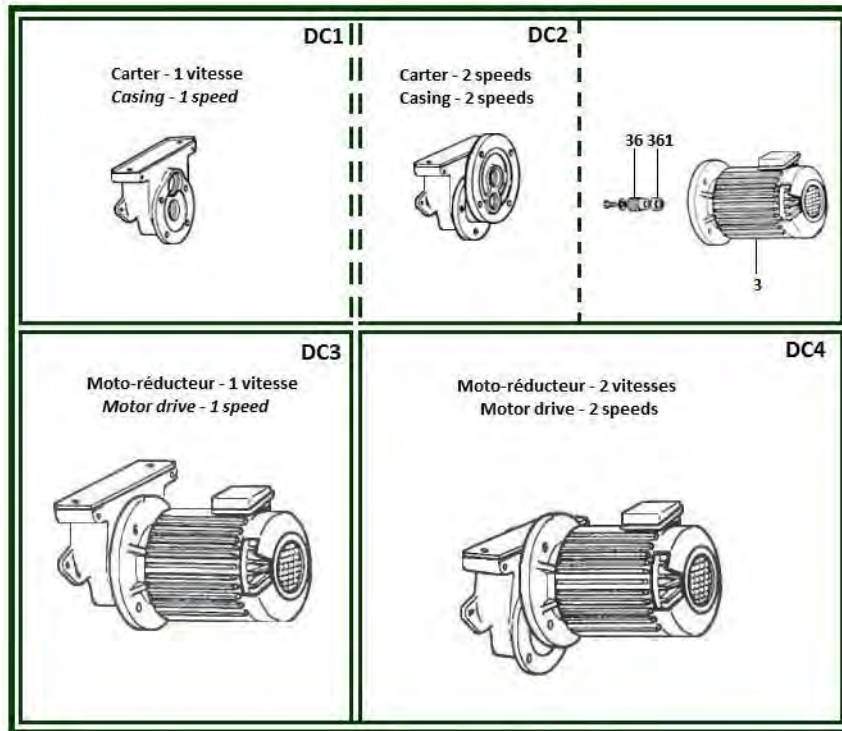


## 21) NA trolley for D type only

Nous consulter - Matériel sur commande / Consult us - Materiel to be ordered

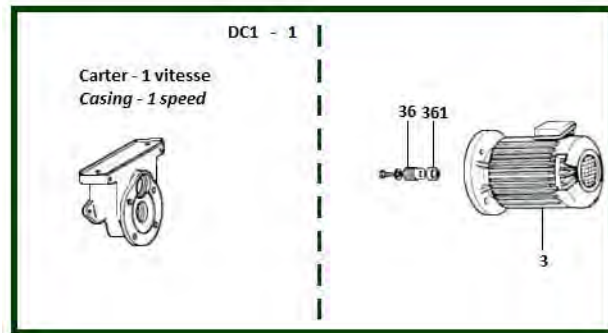


## 22) Gear and motorgear





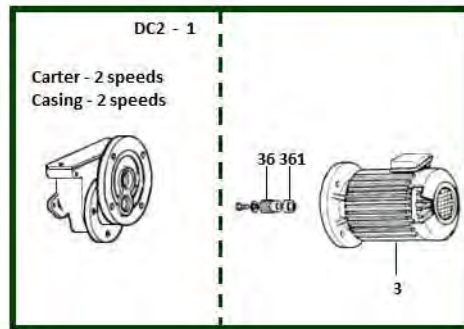
## 22.1) DC1



item	reference	description	observation	Quantity
1	<a href="#">3544011L</a>	Gear 10 or 20/5m/mn - 16 teeth	DC1 - HPR72 (chariot Bissel)	1
1	<a href="#">3444013T</a>	Gear 20 or 30m/mn - 11 teeth	DC1	1
1	<a href="#">3444010Q</a>	Gear 20 or 30m/mn - 16 teeth	DC1	1
1	<a href="#">3544010K</a>	Gear 20 or 30 m/mn - 16 teeth	DC1 - HPR72 (chariot Bissel)	1
3	<a href="#">7350272B</a>	Brake motor LS71FAST 0,37Kw 1500t/mn 220/380V	Bride 140 BA 14x30	1
3	<a href="#">7350151V</a>	Brake motor LS71FCR 0,25 Kw 1000t/mn 220/380V	Bride 140 BA 14x30	1
3	<a href="#">7350271A</a>	Brake motor LS71FCR 0,37Kw 1500t/mn 220/380V	Bride 200 BA 14x30	1
3	<a href="#">7352401R</a>	Brake motor LS71FCR 0,55/0.12 Kw 3000/750t/mn 220/380V	Bride 200BA 14x30	1
3	<a href="#">7352261P</a>	Brake motor LS80FAST 0,75Kw 1500t/mn 220/380V	Bride 140BA 14x30	1
3	<a href="#">7352267V</a>	Brake motor LS80FAST 0,75Kw 1500t/mn 220/380V	Bride 200BA 14x30	1
3	<a href="#">7352760F</a>	Brake motor LS80FAST 0,75Kw 1500t/mn 240/415V	Plus fourni / No more supplied	1
3	<a href="#">7352011S</a>	Brake motor LS80FCR 0,18Kw 750t/mn 220/380V	Bride 200 BA 14x30	1
3	<a href="#">7352171R</a>	Brake motor LS80FCR 0,55Kw 1000t/mn 220/380V	Bride 140BA 14x30 - Frein/brake FCR 180VDC	1
3	<a href="#">7352177X</a>	Brake motor LS80FCR 0,55Kw 1000t/mn 220/380V	Bride 200BA 14x30	1
3	<a href="#">7353407J</a>	Brake motor LS90FAST 0,48/0,12Kw 3000/750t/mn 220/380V	Bride 200BA 14x30	1
36	<a href="#">5438101E</a>	Motor pinion - 23 teeth	Alésage / Bore 14 - A,D	1
36	<a href="#">5438103G</a>	Motor pinion - 32 teeth	Alésage / Bore 14 - B,C,E	1
361	<a href="#">5438111R</a>	Collar pinion motor	A,D	1
361	<a href="#">5438112S</a>	Pinion collar	B,C,E	1

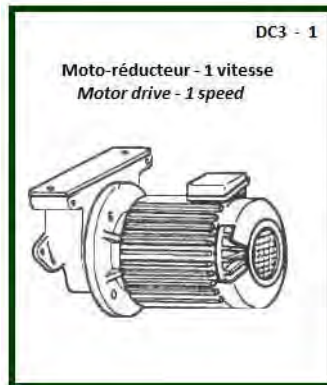


## 22.2) DC2



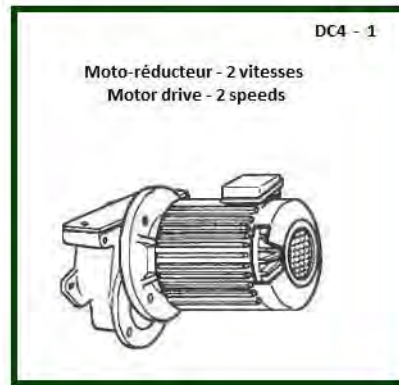
item	reference	description	observation	Quantity
1	<a href="#">3444014U</a>	Gear 5 or 10m/mn - 11 teeth		1
1	<a href="#">3444011R</a>	Gear 10 or 20/5 m/mn - 16 teeth		1
1	<a href="#">3444015V</a>	Gear 30/7,5m/mn - 11 teeth		1
3	<a href="#">7350272B</a>	Brake motor LS71FAST 0,37Kw 1500t/mn 220/380V	Bride 140 BA 14x30	1
3	<a href="#">7350151V</a>	Brake motor LS71FCR 0,25 Kw 1000t/mn 220/380V	Bride 140 BA 14x30	1
3	<a href="#">7350271A</a>	Brake motor LS71FCR 0,37Kw 1500t/mn 220/380V	Bride 200 BA 14x30	1
3	<a href="#">7352401R</a>	Brake motor LS71FCR 0,55/0.12 Kw 3000/750t/mn 220/380V	Bride 200BA 14x30	1
3	<a href="#">7352261P</a>	Brake motor LS80FAST 0,75Kw 1500t/mn 220/380V	Bride 140BA 14x30	1
3	<a href="#">7352267V</a>	Brake motor LS80FAST 0,75Kw 1500t/mn 220/380V	Bride 200BA 14x30	1
3	<a href="#">7352760F</a>	Brake motor LS80FAST 0,75Kw 1500t/mn 240/415V	Plus fourni / No more supplied	1
3	<a href="#">7352011S</a>	Brake motor LS80FCR 0,18Kw 750t/mn 220/380V	Bride 200 BA 14x30	1
3	<a href="#">7352171R</a>	Brake motor LS80FCR 0,55Kw 1000t/mn 220/380V	Bride 140BA 14x30 - Frein/brake FCR 180VDC	1
3	<a href="#">7352177X</a>	Brake motor LS80FCR 0,55Kw 1000t/mn 220/380V	Bride 200BA 14x30	1
3	<a href="#">7353407J</a>	Brake motor LS90FAST 0,48/0,12Kw 3000/750t/mn 220/380V	Bride 200BA 14x30	1
36	<a href="#">5438101E</a>	Motor pinion - 23 teeth	Alésage / Bore 14 - A,D	1
36	<a href="#">5438103G</a>	Motor pinion - 32 teeth	Alésage / Bore 14 - B,C,E	1
361	<a href="#">5438111R</a>	Collar pinion motor	A,D	1
361	<a href="#">5438112S</a>	Pinion collar	B,C,E	1

## 22.3) DC3



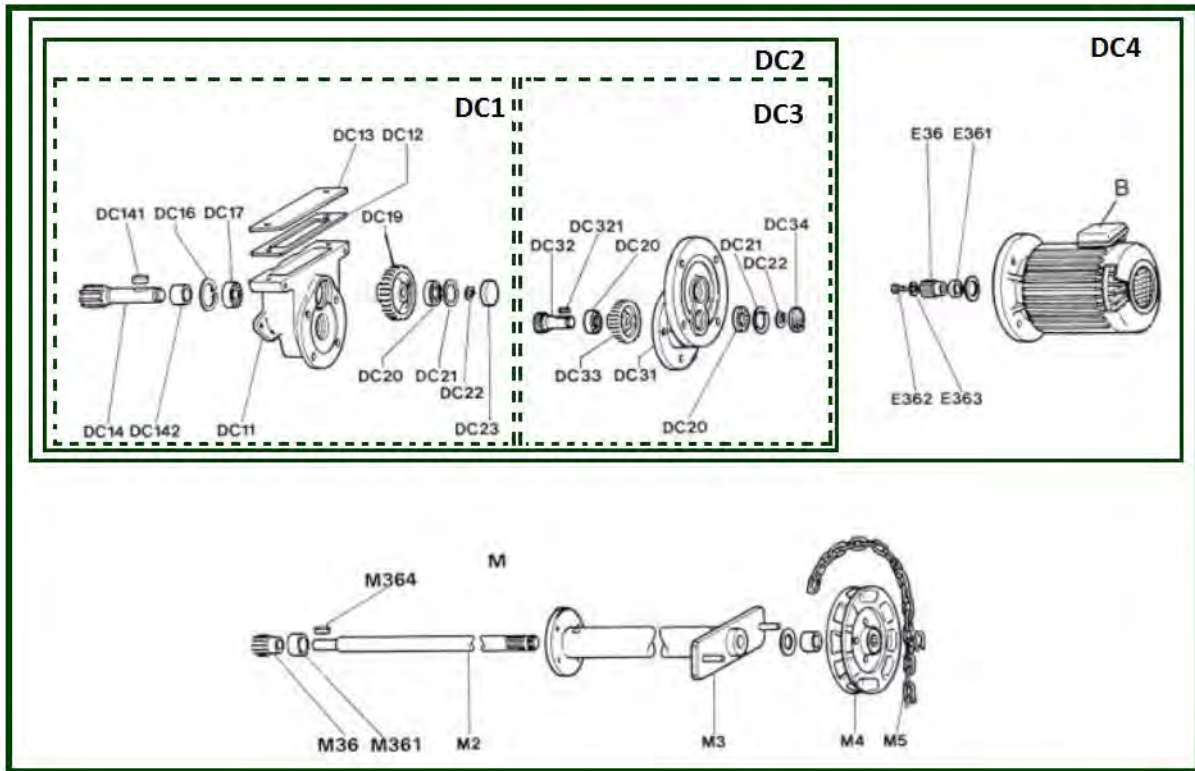
item	reference	description	observation	Quantity
1	<u>2548143W</u>	Motor drive - 10 m/mn	220/380V 50HZ-PA - 11 dents/theeth Bride / Clamp 200	1
1	<u>2548163T</u>	Motor drive - 20 m/mn	220/380V 50HZ-PA - 11 dents/theeth Bride / Clamp 140	1
1	<u>2548173D</u>	Motor drive - 30 m/mn	220/380V 50HZ-PA - 11 dents/theeth Bride / Clamp 140	1
1	<u>3447561Z</u>	Motorgear 10m/mn - 16 teeth	220-380V	1
1	<u>3447441U</u>	Motorgear 20m/mn - 16 teeth	220-380V	1
1	<u>2447461J</u>	Motorgear 30m/mn - 16 teeth	220-380V	1
1a	<u>3547861W</u>	Motorgear 10m/mn - 16 teeth	HPR72 (chariot Bissel)	1
1a	<u>3547741R</u>	Motorgear 20m/mn - 16 teeth	HPR72 (chariot Bissel) - Ø100	1

## 22.4) DC4



item	reference	description	observation	Quantity
1	<a href="#">2548263B</a>	Motor drive 2- 0&5 m/mn	220/380V 50HZ-PA - 11 dents/teeth Bride / Clamp 200	1
1	<a href="#">3447571K</a>	Motorgear 20/5m/mn - 16 teeth	220-380V D50-D63 birail	1
1	<a href="#">3547881T</a>	Motorgear 20/5m/mn - 16 teeth	(HPR72(chariot Bissel)/ HPN) D25-D63	1

## 23) Electric travel and chain travel



item	reference	description	observation	Quantity
	<a href="#">5434107P</a>	Breather		1
	<a href="#">5434106N</a>	Drain plug		1
	<a href="#">8913045T</a>	Grease	1 kg	1
B	<a href="#">BR288</a>	Motor connecting box		1
DC11	<a href="#">5434104K</a>	Gear case	1 vitesse / speed	1
DC11	<a href="#">5444101B</a>	Gear case	D	1
DC12	<a href="#">5434103J</a>	Seal		1
DC12	<a href="#">5444103D</a>	Seal	D	1
DC13	<a href="#">5434105L</a>	Cover		1
DC13	<a href="#">5444105F</a>	Cover	D	1
DC14	<a href="#">5444211W</a>	Drive pinion - 16 teeth	D	1
DC14	<a href="#">5444215A</a>	Drive pinion M3 - 11 teeth	Largeur de denture 45mm (->1989)/55mm(1989->)	1
DC16	<a href="#">300077</a>	Interior circlip	D et DA - I/77 - Ø 47	1
DC17	<a href="#">7412045W</a>	Bearing		1
DC17	<a href="#">7415050N</a>	Bearing	D	1
DC17	<a href="#">7410055H</a>	Bearing	D HPR 72 (Chariot / Trolley Bissel)	1
DC17	<a href="#">7464530V</a>	Seal SIMRIT	D	1
DC19	<a href="#">5434201R</a>	Gear - 93 teeth		1
DC19	<a href="#">5444201K</a>	Gear - 136 teeth	D	1
DC20	<a href="#">7415040B</a>	Bearing		1
DC20	<a href="#">7464510Y</a>	Seal SIMRIT	20 ou 30 m/mn - 5-10 ou 20/5	1
DC21	<a href="#">7261042N</a>	Interior circlip		1
DC22	<a href="#">830860</a>	Exterior circlip - Ø 20	C2	1
DC23	<a href="#">5434203T</a>	Sealing cap		1
DC31	<a href="#">5444501L</a>	2 speed gearcase	D	1
DC31	<a href="#">5434501S</a>	Gearcase 2 speeds		1
DC32	<a href="#">5434611L</a>	Pinion shaft - 23 teeth		1
DC33	<a href="#">5434602B</a>	Gear - 64 teeth	30/7.5 m/mn	1
DC33	<a href="#">5434601A</a>	Gear - 69 teeth	5-10-20/5 m/mn	1
DC34	<a href="#">5434603C</a>	Cover 42		1

DC141	<a href="#">7281082V</a>	Key	D	1
DC141	<a href="#">7282062K</a>	Pinion key - 23 teeth	2 BR 6x6x20	1
DC142	<a href="#">5444216B</a>	Pinion collar - 11 teeth	DA	1
DC142	<a href="#">5444212X</a>	Pinion collar - 16 teeth	D	1
DC142	<a href="#">5544212T</a>	Pinion collar - 19 teeth	D - HPR 72 (chariot Bissel)	1
E36	<a href="#">5438101E</a>	Motor pinion - 23 teeth	Alésage / Bore 14 - A,D	1
E361	<a href="#">5438111R</a>	Collar pinion motor	A,D	1
M2	<a href="#">5543214H</a>	Drive shaft - LHT	Hauteur Perdue Réduite / Low Headroom Trolley	1
M2	<a href="#">5543213G</a>	Drive shaft - NHT	Hauteur Perdue Normale / Normal Headroom Trolley	1
M3	<a href="#">5543203W</a>	Support tube - LHT	Hauteur Perdue Réduite / Low Headroom Trolley	1
M3	<a href="#">5533204C</a>	Support tube - NHT	Hauteur Perdue Normale / Normal Headroom Trolley	1
M4	<a href="#">5433215U</a>	Chain wheel	Tous types / All types	1
M5	<a href="#">820003</a>	Galvanized hand chain - 5x27,1		1
M36	<a href="#">5543216K</a>	Pinion - 11 teeth - NHT	Hauteur Perdue Normale / Normal Headroom Trolley	1
M361	<a href="#">5543215J</a>	Pinion collar - 11 teeth - LHT	Hauteur Perdue Réduite / Low Headroom Trolley	1
M364	<a href="#">7281054Q</a>	Key - NHT	Hauteur Perdue Normale / Normal Headroom Trolley	1
M	<a href="#">3543213U</a>	Complete chaine drive - LHT	Hauteur Perdue Réduite / Low Headroom Trolley	1
M	<a href="#">3543212T</a>	Complete chaine drive - NHT	Hauteur Perdue Normale / Normal Headroom Trolley	1

## **24) Hoist rope**

En levage centré, prévoir les cosses en plus / In true vertical lift, don't forget additionnal rope fastener

<b>item</b>	<b>reference</b>	<b>description</b>	<b>observation</b>	<b>Quantity</b>
	<u>7312235G</u>	Non rotating cable - Ø11	mètre/meters	1
	<u>7312435Z</u>	Non rotating steel cable - Ø12	mètre/meters	1
	<u>7322435U</u>	Preformed cable - Ø12	mètre/meters	1
	<u>7322235B</u>	Preformed steel cable - Ø11	mètre/meters	1
	<u>7333120H</u>	Rope clamp - Ø12		1
	<u>7333100L</u>	Rope clip - ø 10		1

## 24.1) Precut rope

item	reference	description	observation	Quantity
	<u>5252215E</u>	Non rotating cable - Ø11	Lg 21,5m	1
	<u>5252217G</u>	Non rotating cable - Ø11	Lg 38m	1
	<u>53045007</u>	Non rotating cable - Ø11 16X7R-U-RHL-92.1	Lg 15,5 m	1
	<u>5252216F</u>	Non rotating cable - Ø11 RD 1/1 L - RD 2/1 HPR	Lg 37m	1
	<u>5252212B</u>	Non rotating cable - Ø11 RD 1/1 VL - RD 2/1 HPR	Lg 53m	1
	<u>5252214D</u>	Non rotating cable - Ø11 RD 1/1SVL - RD 2/1 HPR	Lg 65m	1
	<u>5252213C</u>	Non rotating cable - Ø11 RD 2/1 SVL	Lg 66m	1
	<u>5252211A</u>	Non rotating cable - Ø11 RD 2/1VL	Lg 54m	1
	<u>5352202L</u>	Non rotating cable - Ø12 2/1	Lg 37m	1
	<u>5352203N</u>	Non rotating cable - Ø12 2/1	Lg 38m	1
	<u>5352204P</u>	Non rotating cable - Ø12 2/1	Lg 53m	1
	<u>5352205Q</u>	Non rotating cable - Ø12 2/1	Lg 54m	1
	<u>5352206R</u>	Non rotating cable - Ø12 2/1	Lg 65m	1
	<u>5352201K</u>	Non rotating cable - Ø12 2/1	Lg 21,25m	1
	<u>5352207S</u>	Non rotating cable - Ø12 2/1	Lg 66m	1
	<u>5252202R</u>	Preformed cable - Ø11 RD 2/1 L - RD 4/1 HPR L	Lg 38m	1
	<u>5252201Q</u>	Preformed cable - Ø11 RD 2/1 N	Lg 22,25m	1
	<u>5252205U</u>	Preformed cable - Ø11 RD 4/1 HPR N	Lg 23m	1
	<u>5252206V</u>	Preformed cable - Ø11 RD 4/1 L	Lg 39m	1
	<u>5252204T</u>	Preformed cable - Ø11 RD 4/1 N	Lg 24,5m	1
	<u>5252221L</u>	Preformed cable - Ø11 RD 6/1 L	Lg 41,3m	1
	<u>5252220K</u>	Preformed cable - Ø11 RD 6/1 N	Lg 26,7m	1
	<u>5252223P</u>	Preformed cable - Ø11 RD 6/1 SVL	Lg 68,6m	1
	<u>5252222N</u>	Preformed cable - Ø11 RD 6/1 VL	Lg 59,4m	1
	<u>5252219J</u>	Preformed cable - Ø11 SVL -RD 4/1 HPR	Lg 65m	1
	<u>5252218H</u>	Preformed cable - Ø11 VL - RD 4/1 HPR	Lg 53m	1
	<u>S90B10L24T</u>	Preformed cable with rope fastener - Ø11 Before june 1971	Lg 24m	1
	<u>S90B10L25T</u>	Preformed cable with rope fastener - Ø11 Before june 1971	Lg 25m	1
	<u>S90B10L39T</u>	Preformed cable with rope fastener - Ø11 Before june 1971	Lg 39m	1
	<u>S90B10L40T</u>	Preformed cable with rope fastener - Ø11 Before june 1971	Lg 40m	1

## 25) Electrical equipment

item	reference	description	observation	Quantity
1	<a href="#">KP19D</a>	Lightning sticker for cover		1
2	<a href="#">7514042N</a>	Transformater 120VA 220/380V 48V		1
2	<a href="#">7516061G</a>	Transformater 250VA 220/380V 2x24V		1
2	<a href="#">7511911W</a>	Transformer 220/380V 2x24V (100VA)		1
2	<a href="#">7514041L</a>	Transformer 220/380V	48V - 100VA	1
2	<a href="#">7511951Q</a>	Transformer 240/415V 2x24V (100VA)		1
3	<a href="#">7532424T</a>	Selection contactor LC1D408E		1
4	<a href="#">7536311T</a>	Auxiliary contact LA1D11	N1 à N3	1
4	<a href="#">1113007</a>	Auxiliary contact LA1D20	7536314W	1
4	<a href="#">7536312U</a>	Auxiliary contact LA1D22	«2F+2O»	1
4	<a href="#">7536411B</a>	Auxiliary contact LA2D22		1
4	<a href="#">7536413D</a>	Auxiliary contact LA3D22		1
5	<a href="#">7571302B</a>	Fuse 5x20 2A		1
5	<a href="#">7571303C</a>	Fuse 5x20 3A		1
5	<a href="#">7571304D</a>	Fuse 5x20 4A		1
6	<a href="#">7581401D</a>	Hoisting motor terminal block		1
7	<a href="#">7691133C</a>	Lamp	48V	1
8	<a href="#">7691142N</a>	Bulb		1
9	<a href="#">3633515A</a>	Single Protection phase	380V	1
10	<a href="#">3653510G</a>	Electric circuit (3 relay)		1
11	<a href="#">3654511V</a>	Control panel LVC L2 «C» 220V «DA» 380V4Kw		1
12	<a href="#">7521111W</a>	Rectifier	Frein / Brake 24V	1
12	<a href="#">7521122H</a>	Rectifier	Frein / Brake 48V	1
13	<a href="#">5651311E</a>	Diode rectifier G6004		1
14	<a href="#">7523111V</a>	Condenser 25mF 63V - Old hoist		1
15	<a href="#">1113021</a>	Selector contactor	48V	1
15	<a href="#">1113027</a>	Two speed selection contactor 400V/48V - LC1D128E	(7532122Q) - AK4 - Moteur /Motor P1,P2,P3	1
15	<a href="#">1113029</a>	Two speed selection contactor 400V/48V - LC1D258E	(7532324J) - AK4 - Moteur/Motor P4/P5	1
16	<a href="#">7532326L</a>	Contacteur ON-OFF	LC1D253E	1
16	<a href="#">7532126U</a>	Main contactor 400V-48V	LC1D123E	1
16	<a href="#">7532426V</a>	Main contactor - 400V/ 48V - LC1D403E7	Moteur / Motor P6 - O-K1	1
17	<a href="#">1113025</a>	Interlocked contactor LC2EC09E	7531023V	1
17	<a href="#">7531122C</a>	Interlocked contactors 400V/48V - LC2D129E	AK1-AK2 - Moteur/Motor P1-P2-P3-N1-N2	1
17	<a href="#">7531423E</a>	Up and down contactor 400V/48V - LC2D403E	Moteur / Motor P7 - AK1-AK2	1