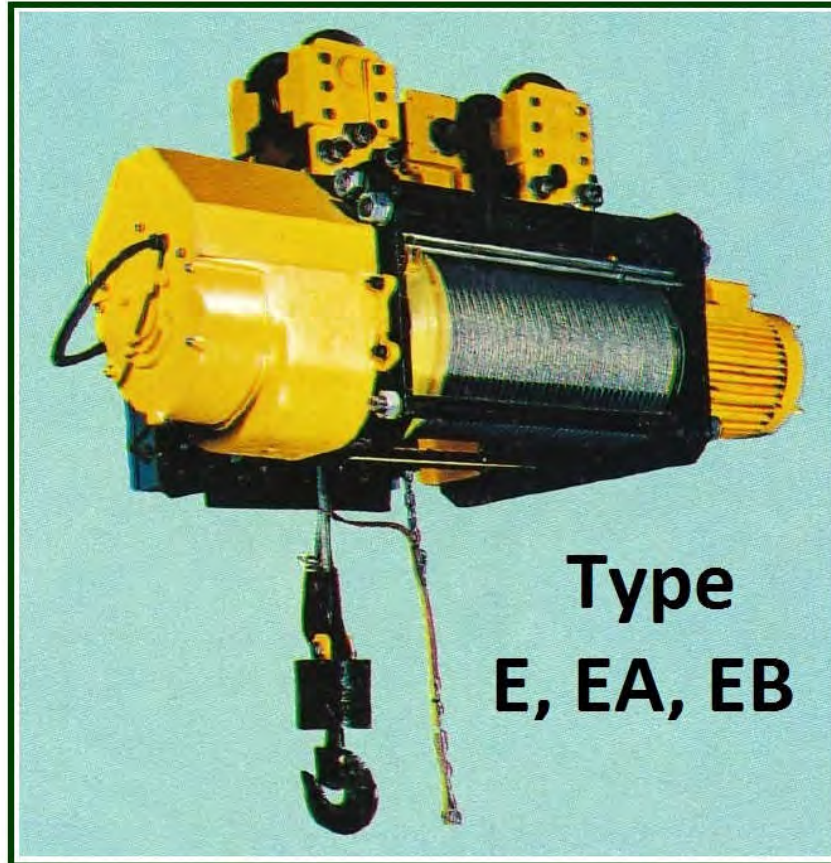


Spare parts catalog for "E EA EB"

To avoid errors, when ordering please specify:

- Complete type of hoist
- Date of manufacture and serial number
- Spare part code
- Spare part designation
- Additional information



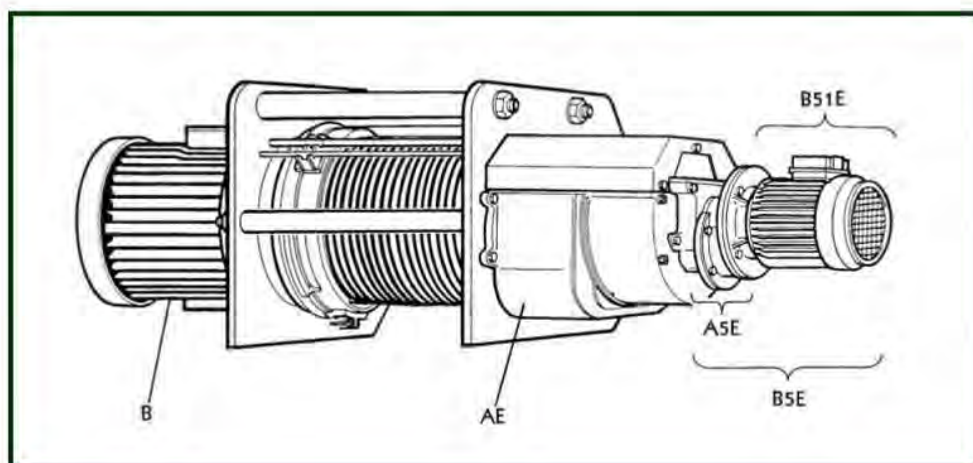
- 0) HOIST DESCRIPTION
- 1) MOTOR / HOISTING GEARBOX
- 2) HOIST GEARBOX
- 3) SECOND SPEED E AND EA
- 4) BRAKE E AND EA-EB
 - 4.1) Manual brake
 - 4.2) Automatic brake
- 5) DRUM / ROPE GUIDE / COUPLING
- 6) COUPLING EB
- 7) RETURN / FIXED POINT / LIMIT SWITCH / LIMITER
- 8) HOOK, 1 ROPPED
 - 8.1) Câble Ø 12 mm
 - 8.2) Câble Ø 14 mm
- 9) LIFTING HOOK, 2 ROPPED
- 10) LIFTING HOOK, 4 ROPPED
- 11) LIFTING HOOK, 6 ROPPED
- 12) MONORAIL TROLLEY HPN < 6300 KG
- 13) MONORAIL TROLLEY > 6300 KG
- 14) DOUBLE GIRDER FRAME - TYPE E & EA
 - 14.1) Double girder 16 & 20 tonnes
- 15) BISSEL TROLLEY - E TYPE
- 16) NA TROLLEY - E TYPE
- 17) GEAR AND MOTORGEAR
- 18) ELECTRIC TRAVEL AND HAND CHAIN TRAVEL
- 19) HOISTING WIRE ROPE
 - 19.1) Precut rope
- 20) ELECTRICAL EQUIPMENT

0) Hoist description

GROUPE EUROBLOC E		Ia		Ib		II		III					
		Vitesse de levée en m/mn - Cases encadrées appareils mouflés											
Moteurs		E 50	E 25	E 43	E 32	E 80		E 100		E 125			
1 vitesse 7,5 Kw 1500 t/mn	501	8	16						4				
	701					5,5							
1 vitesse 8,8 Kw 1500 t/mn	501			8	16						4		
	701	11	22						5,5				
2 vitesses 7,5 Kw 1500 t/mn 0,75 Kw 1500 t/mn	502	8/0,66	16/1,32						4/0,33				
	702					5,5/0,46							
2 vitesses 8,8 Kw 1500 t/mn 0,9 Kw 1500 t/mn	502			8/0,66	16/1,32						4/0,33		
	702	11/0,9	22/1,8						5,5/0,46				
Tambour		N	L	SL	SSL	L	SL	SSL	N	L	SL	SSL	
Capacité de charge ... kg		5000-6300		8000-10000-12500		2500-3200		2 x 1250 / 2 x 1600					
Nombre de brins		2/1		4/1		1/1		2/2					
Hauteur de levée ... m		9	16	23	29	8	11,5	14,5	18	32	46	58	
Ø de câble ... mm		P 14	A 14	A 14	A 14	P 14	P 14	P 14	A 14	A 14	A 14	P 11	
Longueur de câble ... m		24,5	39	53	65,5	41	55	67,5	23,5	38	52	64,5	
Suspendu		S	Posé	P	Sortie de câble N°								

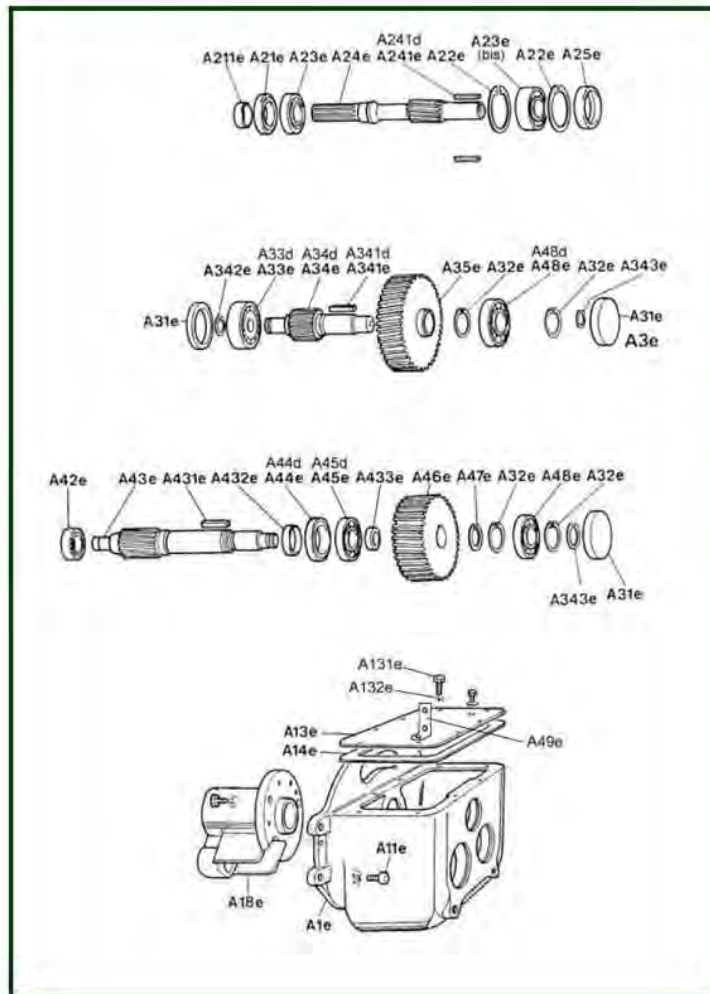
GROUPE EUROBLOC EA-EB		Ia		Ib		II		III									
		Vitesse de levée en m/mn - Cases encadrées pelans mouflés															
Moteurs		Repères	EA50	EA25	EA43	EA32	EB80	EB40	EA80	EA100	EA125	EB160	EA160	EB200	EB240	EA250	EB320
1 vitesse 7,4 Kw 1500 t/mn	501	8	16						4			2,66					
	701								5,5								
1 vitesse 9 Kw 1500 t/mn	501			8	16					4						2	
	701	11	22						5,5								
1 vitesse 12 Kw/1500 t/mn	501					8	16				4		2,66	2,66			2
	702	8/0,66	16/1,32						4/0,33			2,66/0,2					
2 vitesses 7,4 Kw/1500 t/mn-0,75 Kw/1500 t/mn	502			8/0,66	16/1,32				5,5/0,46								
	702								4/0,33							2/0,16	
2 vitesses 9 Kw/1500 t/mn-0,9 Kw/1500 t/mn	502	11/0,9	22/1,8						5,5/0,46								
	702								4/0,33					2,66/0,2	2,66/0,2		2/0,16
2 vitesses 12 Kw/1500 t/mn-0,9 Kw/1500 t/mn	502							8/0,66	16/1,32			4/0,33		2,66/0,2	2,66/0,2		2/0,16
	702											4/0,33		2,66/0,2	2,66/0,2		2/0,16
Palan suspendu		S	Posé	P													
Tambour		N				L											
Capacité de charge ... kg		HPN-HPR				HPN-HPR											
Nature du câble		P	P	A	A	P	P	P	P	P	P	P	P	P	P	P	P
Ø de câble ... mm		14	15	14	15	14	15	14	15	14	15	14	15	14	15	14	15
Long câble standard ... m		24,5	24,5	39	39	41	41	41	41	41	41	44	44	44	44	44	44
Hauteur de levée ... m		9	9	16	16	8	8	8	8	8	8	5,3	5,3	5,3	5,3	5,3	5,3
Palan mouflé		2/1	2/1	2/1	2/1	4/1	4/1	4/1	4/1	4/1	4/1	6/1	6/1	6/1	6/1	6/1	6/1
Tambour		SL				SSL											
Capacité de charge ... kg		HPN-HPR				HPN-HPR											
Nature du câble		A	A	P	P	P	P	P	P	P	P	P	P	P	P	P	P
Ø de câble ... mm		14	15	14	15	14	15	14	15	14	15	14	15	14	15	14	15
Long câble standard ... m		53	53	55	55	58	58	58	58	58,5	58,5	67,5	67,5	67,5	70,5	70,5	70,5
Hauteur de levée ... m		23	23	11,5	11,5	7,6	7,6	7,6	7,6	29	29	14,5	14,5	14,5	9,6	9,6	9,6
Palan mouflé		2/1	2/1	4/1	4/1	6/1	6/1	6/1	6/1	2/1	2/1	4/1	4/1	4/1	6/1	6/1	6/1
Tambour		N		L		SL		SSL		N		L		SL		SSL	
Capacité de charge ... kg		2500-3200 (EA)		4000 (EB)		2500-3200 (EA)		4000 (EB)		2 x 1250 - 2 x 1600 (EA)		2 x 2000 (EB)					
Nombre de brins		1/1		1/1		1/1		1/1		2/2		2/2					
Nature du câble		A		A		A		A		P		P		P		P	
Ø de câble ... mm		14/15		14/15		14/15		14/15		11		11		11		11	
Longueur câble standard ... m		23,5		38		52		64,5		2x		2x		2x		2x	
Hauteur de levée ... m		18		32		46		58		9		18		26		34	

1) Motor / Hoisting gearbox



item	reference	description	observation	Quantity
-	5260011D	Protection cover	E	1
-	8923212V	Rubber strip for cover		1
A5E	3364050B	Complete casing - 2nd speed		1
AE	3364010H	Hoisting gearbox EA501/502 without disc	Carter complet type E plus fourni. Vendu seulement en pièces détachées. Complete housing E type no more supply. Only parts sold separately.	1
AE	3364011J	Hoisting gearbox EA701/702 without disc	Carter complet type E plus fourni. Vendu seulement en pièces détachées. Complete housing E type no more supply. Only parts sold separately	1
B5E	3367225C	Motorgear PV 0,75Kw 240/415V		1
B5E	3367221Y	Motorgear PV 0,75Kw 380V		1
B5E	3367222Z	Motorgear PV 0,90Kw 380V		1
B51E	7352760F	Brake motor LS80 FAST 0,75Kw 1500t/mn 240/415V	EA-E - E HPR72 - Plus fourni / No more supplied	1
B51E	7342240W	Motor LS80 0,9Kw 1500t/mn 220/380V without brake	Bride 200b.a : 14x30	1
B51E	7352260N	Motor LS80L2 0,75Kw 1500t/mn 220/380V without brake	Bride 200b.a : 14x30	1
B	7346270B	Hoist motor LS132M1 7,5Kw 1500 t/mn 220/380V 50Hz	b.a : 38x80	1
B	7346770V	Hoist motor LS132M1 7,5Kw 1500 t/mn 240/415V 50Hz	b.a : 38x80	1
B	7346280N	Hoist motor LS132M2 9Kw 1500 t/mn 220/380V 50Hz	b.a : 38x80	1
B	7347790D	Hoist motor LS160M 12Kw 1500 t/mn 220/380V 50Hz	b.ab: 42x45	1
B	7347090K	Hoist motor LS160M 12Kw 1500t /min 240/415V 50Hz	b.ab: 42x45	1

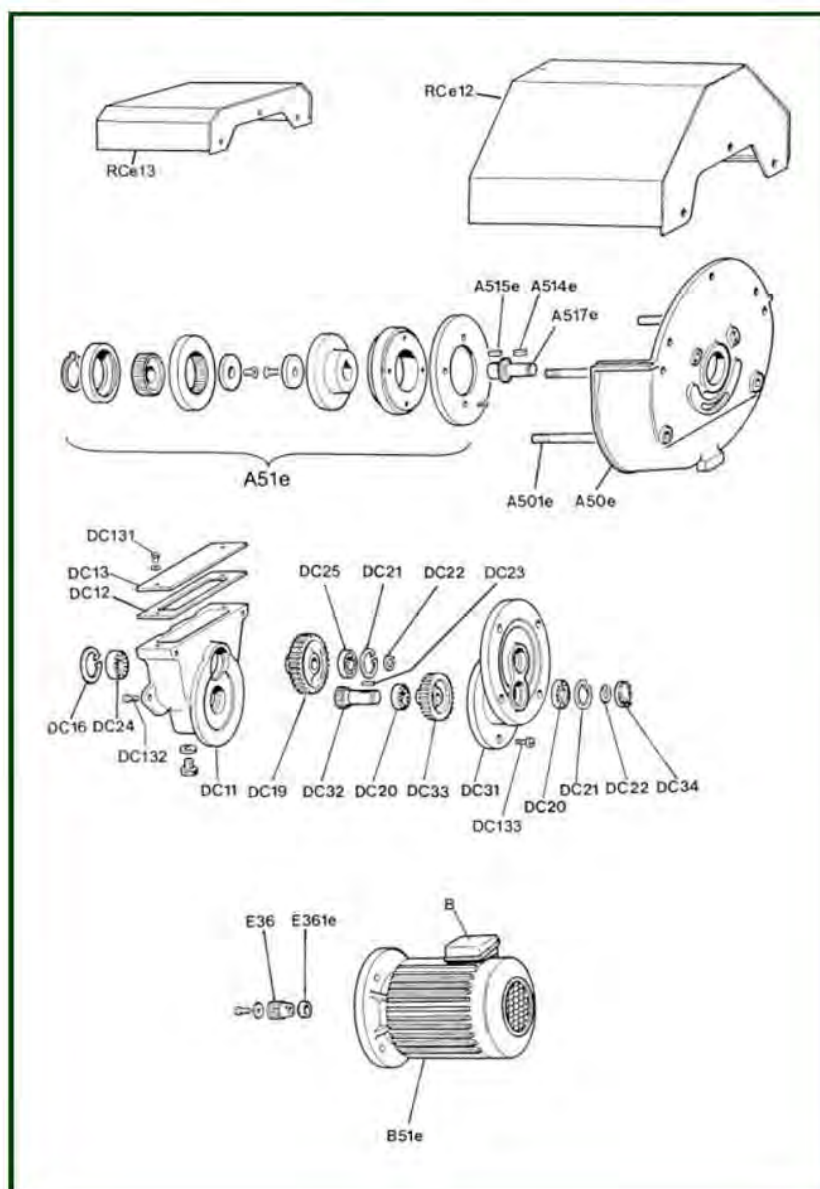
2) Hoist gearbox



item	reference	description	observation	Quantity
-	5235301V	Brake screw support		1
-	5434106N	Drain plug		1
-	7838170B	Drain plug		1
-	7231064C	Flat washer 6,25 x 24 x 1,2		1
-	8913045T	Grease	1 kg	1
-	A24DE	High speed seal and bearing set	E / EA	1
A1e	5364101V	Gear case only EA	EA	1
A11e	7215759S	Screw CHCM 14 x 45	E / EA	4
A13e	5264108G	Casing cover	E / EA	1
A14e	5264102A	Cover seal	E / EA	1
A18e	5264103B	Shaft bracket E	E	1
A18e	5364103X	Shaft bracket EA	Plus fourni / Not supply anymore	1
A21e	7460860F	SIMRIT seal	E / EA	1
A22e	7261072V	Circlip		2
A23e	7413060Z	Bearing	E / EA	1
A23ebis	7418065Q	Bearing	E / EA	1
A24e	EP502EK333	16 teeth old version pinion	E - Sur demande / On request	1
A24e	5264201H	High speed pinion shaft 16 teeth	E 501/701	1
A24e	5364201D	High speed pinion shaft 16 teeth	EA / EB 501/701	1
A25e	7461108A	SIMRIT seal	E	1
A25e	7461010U	SIMRIT seal	EA / EB	1
A31e	5264316H	Sealing cap		3
A32e	400080	Retaining ring for bore - Ø 90x3		4
A33e	7424080C	Bearing		1

A34d	5264305W	MV treated pinion shaft 15 teeth	E 701E 504 - 704	1
A34d	5264303U	MV treated pinion shaft 19 teeth	E 701E 504 - 704	1
A34e	5364301N	MV pinion shaft 15 teeth	EA-EB 501	1
A34e	5364303Q	MV pinion shaft 19 teeth	EA-EB 701	1
A35d	5264211U	Intermediate gear 89 teeth	E 501-701	1
A35e	5364211Q	Intermediate gear 89 teeth	EA-EB 501-701	1
A42e	7444304K	Needle bearing	30 x 52 x 22	1
A43d	5264401A	Drive pinion 19 teeth	E	1
A43e	5364401W	Drive pinion 19 teeth	EA-EB	1
A44d	7461515T	SIMRIT seal 75 x 90 x 8	E	1
A44e	7461610W	SIMRIT seal 78 x 100 x 10	EA-EB	1
A45d	7425085V	Bearing	E	1
A45e	7425100L	Bearing		1
A46d	5264304V	Gear 58 teeth slow speed	E 701 - 704	1
A46d	5264306X	Gear 62 teeth slow speed	E 501	1
A46e	5364313A	Gear 56 teeth slow speed	EA-EB 701 - 704	1
A46e	5364311Y	Gear 60 teeth slow speed	EA-EB 501	1
A47e	400079	Outer circlip		1
A48e	7414060L	Bearing	EA-EB	1
A131e	7211353C	HM screw 6 x 16	Liaison câble-tambour / For rope-drum	9
A211e	5264206P	Shaft collar	E / EA	1
A241d	7281084X	Key 1BR (high speed shaft)	E	1
A241e	7281085Y	Cotter pin 8 x 7 x 50		1
A341d	7282123B	Key 2BR 12 x 8 x 60	E	1
A341e	7282122A	Key 2BR 12 x 8 x 53	EA-EB	1
A342e	550121	External circlips - 40		1
A343e	100051	External circlip - Ø 30	VS2....O (VSX)	2
A431e	7283144L	Key 2BP 14 x 9 x 63	EA-EB	1
A432d	5264411L	Spacer collar	E	1
A432e	5364411G	Spacer collar 63 x 78 x 21,5		1
A433e	5364412H	Spacer collar	EA-EB	1

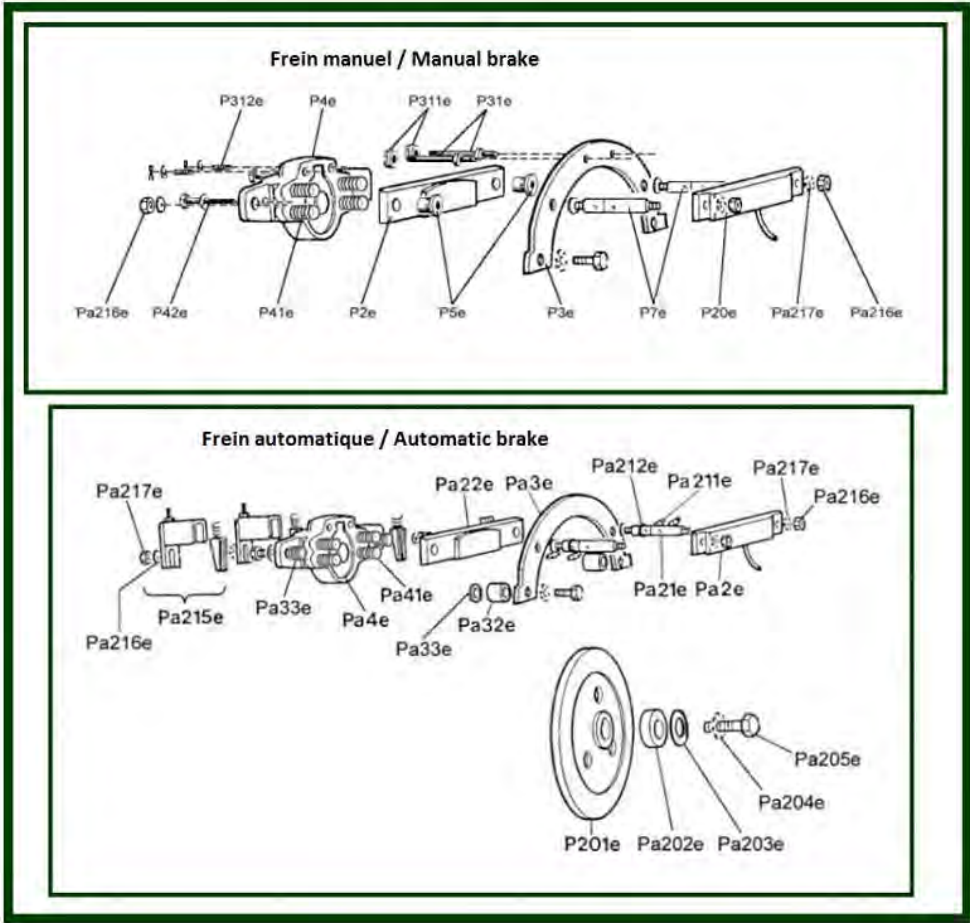
3) Second speed E and EA



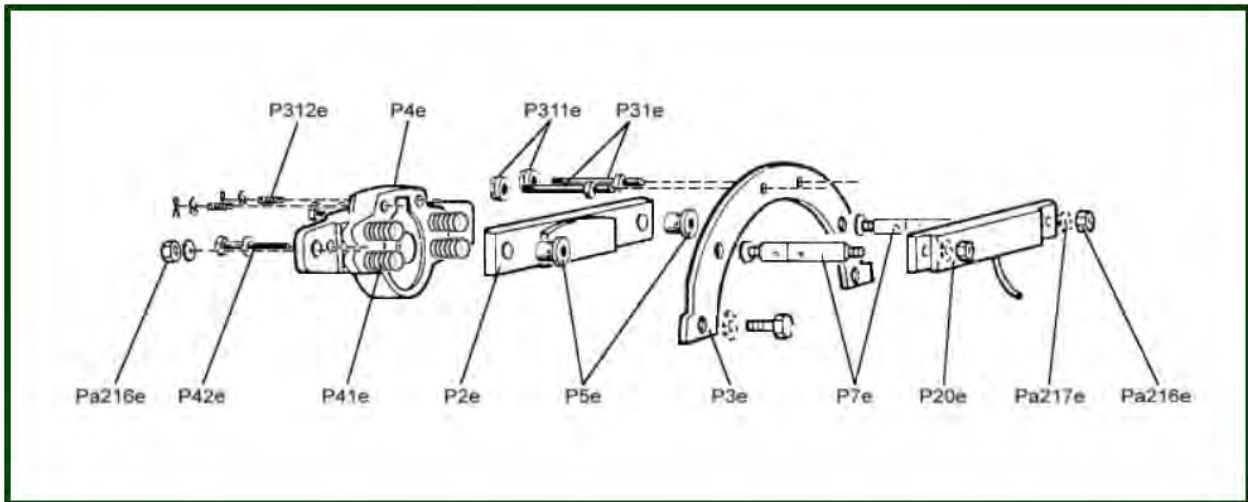
item	reference	description	observation	Quantity
-	5434107P	Breather		1
-	3364050B	Complete casing - 2nd speed		1
-	7791300E	Cover seal		1
-	5434106N	Drain plug		1
-	8913045T	Grease	1 kg	1
-	7232080G	GROWER washer - Ø 8		4
A50e	5260001T	Protection cover 1 speed	E / EA	1
A50e	5260002U	Protection cover 2 speed	E / EA	1
A51e	5264811W	Clutch assembly	E / EA - PLUS FOURNI / NOT SUPPLIED ANYMORE	1
A501e	5260003V	Fixing studs	E / EA	4
A514e	7282063L	Key 6 x 6 x 25	E / EA	1
A515e	7281081U	Key 8 x 7 x 30	Ø 320 - A, B, C	1
A517e	5364901Q	Slow speed output shaft	EA	1
B	BR288	Motor connecting box		1
DC11	5364501E	Slow speed gearbox	EA	1
DC12	5434103J	Seal		1
DC13	5434105L	Cover		1

DC16	<u>300077</u>	Interior circlip	D et DA - I/77 - Ø 47	1
DC19	<u>5364811S</u>	Gear 93 teeth		1
DC20	<u>7415040B</u>	Bearing		2
DC21	<u>7261042N</u>	Interior circlip		2
DC22	<u>830860</u>	Exterior circlip - Ø 20	C2	2
DC23	<u>7282062K</u>	Pinion key - 23 teeth	2 BR 6 x 6 x 20	1
DC24	<u>7412045W</u>	Bearing		1
DC25	<u>7412040R</u>	Bearing	I/77	1
DC31	<u>5434501S</u>	Gearcase 2 speeds		1
DC32	<u>5364701X</u>	Hardened pinion shaft 23 teeth		1
DC33	<u>5364601P</u>	Gear high speed 69 teeth		1
DC34	<u>5434603C</u>	Cover 42		1
DC131	<u>7211252F</u>	HM screw 5 x 10		2
DC132	<u>830205</u>	Securing screw for brake bar HM 8 x 25		2
DC133	<u>830203</u>	Screw M8 K20	C3 / PRC	2
E36	<u>5364611Z</u>	Pinion motor 23 teeth		1
E361e	<u>5438111R</u>	Collar pinion motor - 23 teeth	EA-E - E HPR72 - A,D	1
RCe12	<u>5260011D</u>	Protection cover	E	1
RCe13	<u>5260014G</u>	Protection cover	EA	1

4) Brake E and EA-EB

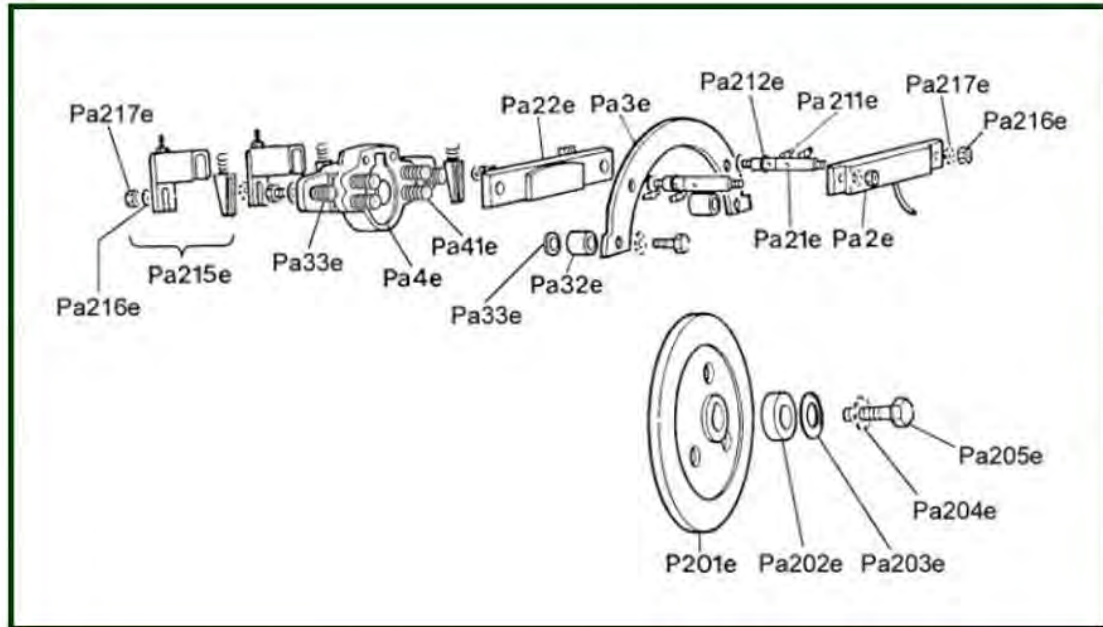


4.1) Manual brake



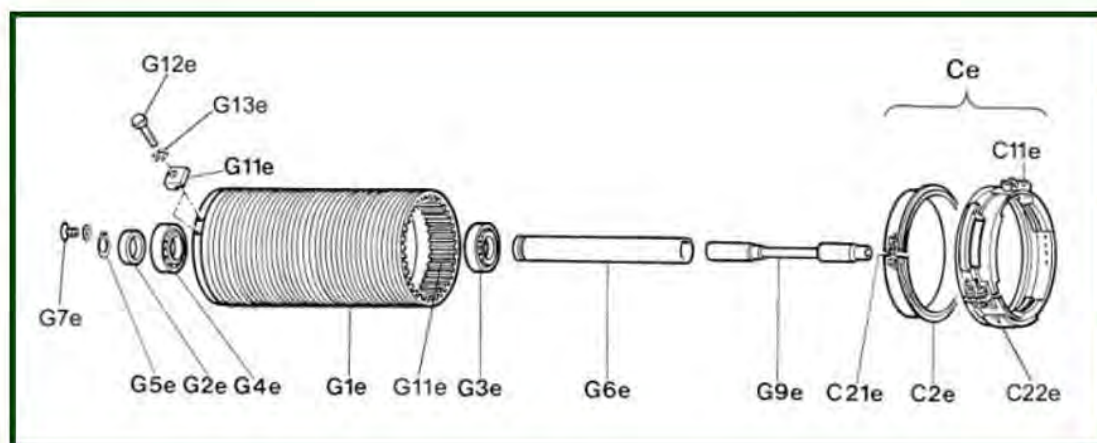
item	reference	description	observation	Quantity
-	3265111J	Complete manual brake - 24V	Sans disque / Without disc	1
-	3265112K	Complete manual brake - 48V		1
-	5265151R	Plate for brake yoke		1
-	EP1DK5071/72T	Set of brake jaws + bushes + studs		1
P2e	5255137F	Brake jaw solenoid side		1
P3e	5365101G	Brake support		1
P4e	5255121P	Brake coil - 24V	Fils bleu et rouge / Blue and red wires	1
P5e	5275141Z	KNO stops		1
P7e	5255136E	Studs		2
P20e	5255134C	Brake shoes		1
P31e	5255142L	Studs for stop		2
P41e	5265133W	Brake spring	Uniquement / Only 7Kw	4
P42e	7211209W	HM screw 5 x 45		1
P201e	5265201V	Brake disc sub-assembly with support	Seulement pour / Only for type E	1
P202e	5260021Q	Clamping ring		1
P203e	5844411W	Washer 11 x 40 x 3		1
P204e	7211554W	HM screw 10 x 20		1
P311e	5255144P	AKULON stops		1
P312e	5235152H	Springs for studs		1
Pa216e	7222100J	Flat nut - 10mm		1

4.2) Automatic brake



item	reference	description	observation	Quantity
-	3265115N	Automatic Brake - 48V		1
-	3265113L	Automatic brake complete - 24V	Sans disque / Without disc	1
-	5355122K	Brake coil - 48V	Fils noir et blanc / Black and white wires	1
P201e	5365201R	Brake disc		1
P202e	5260021Q	Clamping ring		1
P203e	5844411W	Washer 11 x 40 x 3		1
P204e	7211554W	HM screw 10 x 20		1
Pa2e	5255134C	Brake shoes		1
Pa3e	5365101G	Brake support		1
Pa4e	5265121H	Brake coil - 24V	Fils bleu et rouge / Blue and red wires	1
Pa21e	5355131V	Axle		2
Pa22e	5255138G	Brake bar		1
Pa32e	5365102H	Guide for brake support		2
Pa33e	5265151R	Plate for brake yoke		1
Pa41e	5265133W	Brake spring	Uniquement / Only 7Kw	4
Pa211e	5255147S	Wedge follower		4
Pa212e	7791090B	Torque seal		2
Pa214e	5255150V	Gap control spring		2
Pa215e	PA215	Wedge guide (pressing spring + key)		1
Pa216e	7222100J	Flat nut-10mm		4
Pa217e	7232100D	Narrow Grover washer - 10mm	DIN12	2
Pa218e	7221100X	HM nut - ø 10	D	1

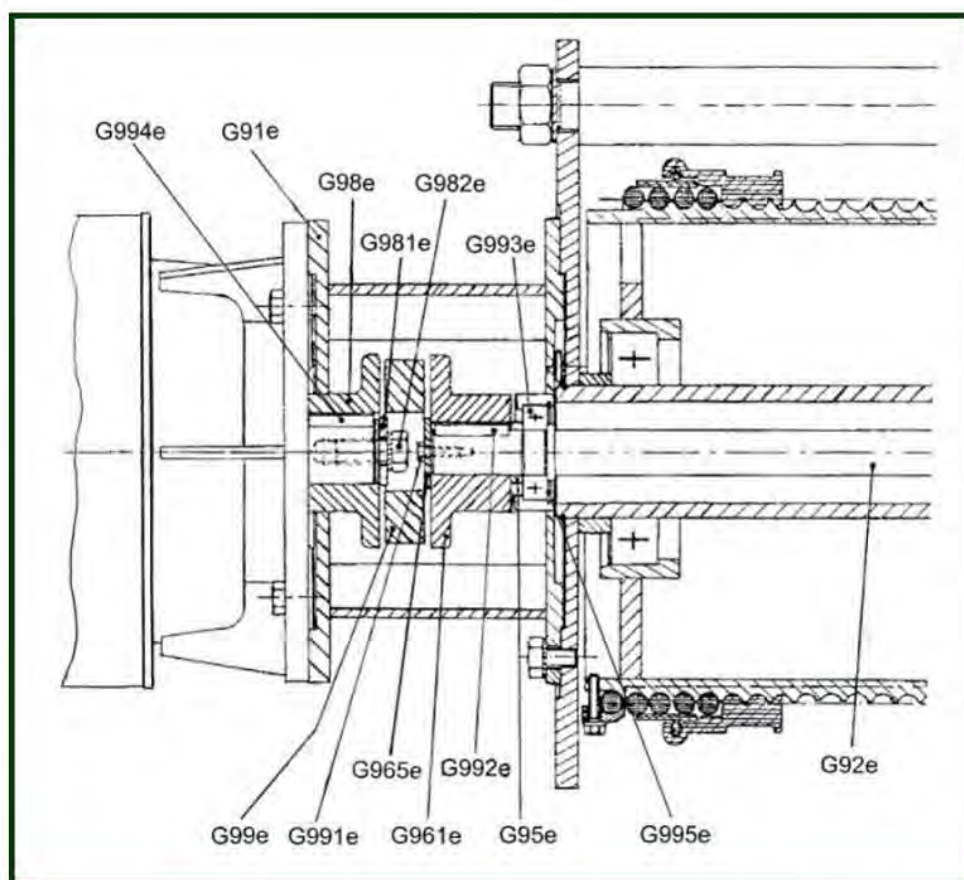
5) Drum / Rope guide / Coupling



item	reference	description	observation	Quantity
-	7281104U	Key 10 x 8 x 55		1
C2e	E1PE202T	Spring	E - EA	1
C11e	5232342D	Traveller for rope guide		1
C21e	5242332N	Pressure ring spring - 10,5		1
C22e	5252316Q	Bracket	D-DA & RD	2
C23e	7211359J	HM screw 6 x 45		2
C24e	7215456N	BTR screw 8 x 30		2
C25e	7216453W	TFHC Screw		4
Ce	3262322C	Rope guide complete 12,5D	E - EA	1
Ce	3262323D	Rope guide complete 12,5G	E - EA	1
Ce	3262320A	Rope guide complete 16D	E - EA	1
G1e	5262122Y	Drum type L	E	1
G1e	5362122U	Drum type L	EA	1
G1e	5362112H	Drum type L	EA Lg 707 mm	1
G1e	5262112N	Drum type L	E Lg 710 mm	1
G1e	5262121X	Drum type N	E	1
G1e	5362121T	Drum type N	EA	1
G1e	5362111G	Drum type N	EA Lg 482 mm	1
G1e	5262111L	Drum type N	E Lg 485 mm	1
G1e	5262123Z	Drum type SL	E	1
G1e	5362123V	Drum type SL	EA	1
G1e	5362113J	Drum type SL	EA Lg 927 mm	1
G1e	5262113P	Drum type SL	E Lg 930 mm	1
G1e	5262124A	Drum type SSL	E	1
G1e	5362124W	Drum type SSL	EA	1
G1e	5362114K	Drum type SSL	EA Lg 1122 mm	1
G1e	5262114Q	Drum type SSL	E Lg 1125 mm	1
G2e	5262136P	Spacer collar		1
G3e	7425170N	Bearing	E / EA	1
G4e	7412170G	Bearing	DA-RD	1
G5e	7262085W	Exterior circlip	DA-RD	1
G5e	7261150E	Internal circlipS - 150	E / EA	1
G6e	5262132J	Central tube type L	E	1
G6e	5362132E	Central tube type L	EA	1
G6e	5262131H	Central tube type N	E	1
G6e	5362131D	Central tube type N	EA	1
G6e	5262133K	Central tube type SL	E	1
G6e	5362133F	Central tube type SL	EA	1
G6e	5262134L	Central tube type SSL	E	1
G6e	5362134G	Central tube type SSL	EA	1
G7e	7216353N	Coun tersunk screw 6 x 16	EA	1

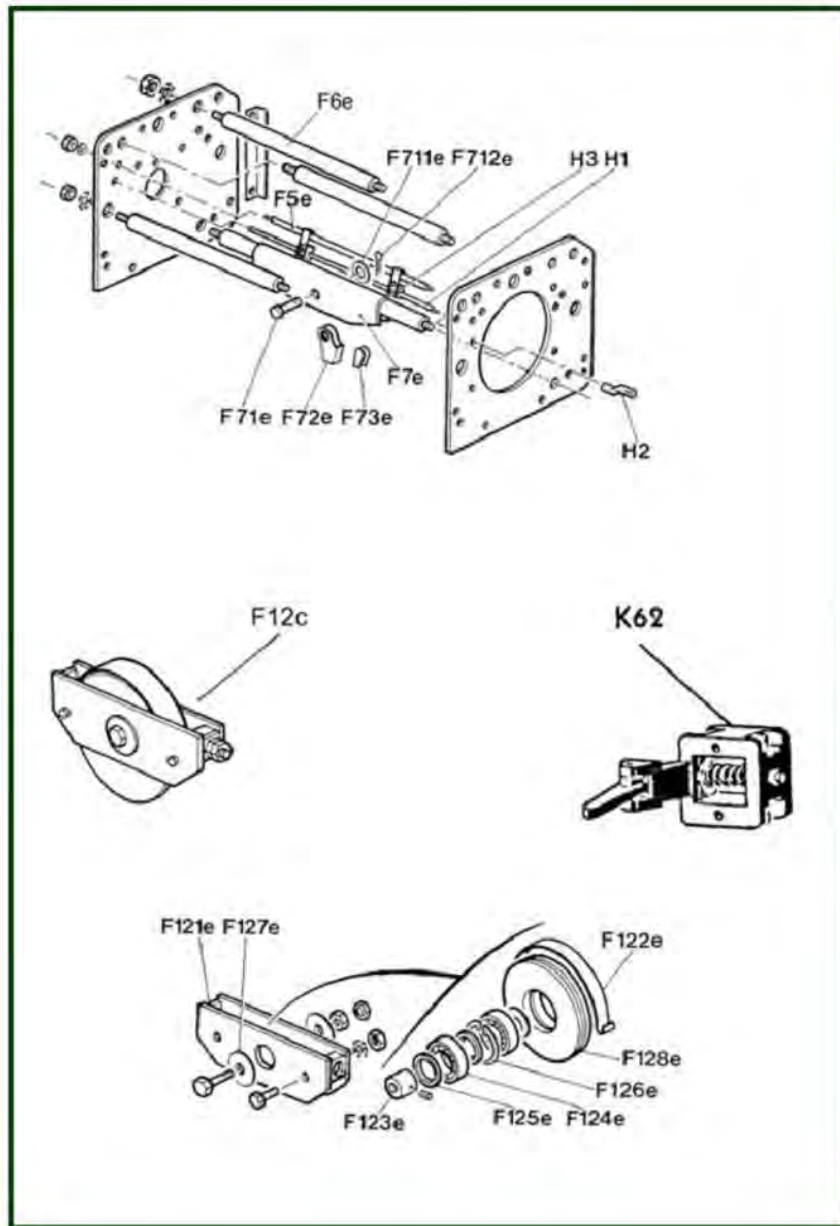
G9e	<u>3362411V</u>	Drive shaft type L - 18 splines	EA Lg 726 mm	1
G9e	<u>3362410U</u>	Drive shaft type N - 18 splines	EA Lg 501 mm	1
G9e	<u>3262412A</u>	Drive shaft type SL - 6 splines	E Lg 952 mm	1
G9e	<u>3262413B</u>	Drive shaft type SSL - 6 splines	E Lg 1147 mm	1
G9e	<u>3362413X</u>	Drive shaft type SSL - 18 splines	EA Lg 1141 mm	1
G9e	<u>3262411Z</u>	Drive shaft type L - 6 splines	E Lg 732 mm	1
G9e	<u>3262410Y</u>	Drive shaft type N - 6 splines	E Lg 507 mm	1
G9e	<u>3362412W</u>	Drive shaft type SL - 18 splines	EA Lg 946 mm	1
G11e	<u>8636261R</u>	Rope anchor bracket on drum	E - EA	2
G12e	<u>7211657H</u>	Screw		2
G13e	<u>7232120A</u>	Grower washer (12)		2

6) Coupling EB



item	reference	description	observation	Quantity
G91e	5368201B	Mouting plate		1
G92e	5362431E	Drive shaft type L		1
G92e	5362430D	Drive shaft type N		1
G92e	5362432F	Drive shaft type SL		1
G92e	5362433G	Drive shaft type SSL		1
G95e	5368204E	Spacer collar		1
G97e	5362435J	Bush		1
G98e	5275802T	Coupling plate - Motor side		1
G99e	7380308Z	Flexibile coupling		1
G961e	5368202C	Coupling plate - Shaft set		1
G965e	5368203D	Washer - Shaft side		1
G981e	5278001H	Stop washer		1
G982e	7211806V	Screw - HM 16 x 30		1
G991e	7211355E	HM screw		1
G992e	7281085Y	Cotter pin 8 x 7 x 50		1
G993e	7412061P	Bearing	C32 - A,B	1
G994e	7281104U	Key 10 x 8 x 55		1
G995e	7261062J	Interior circlip	Ø 62	1

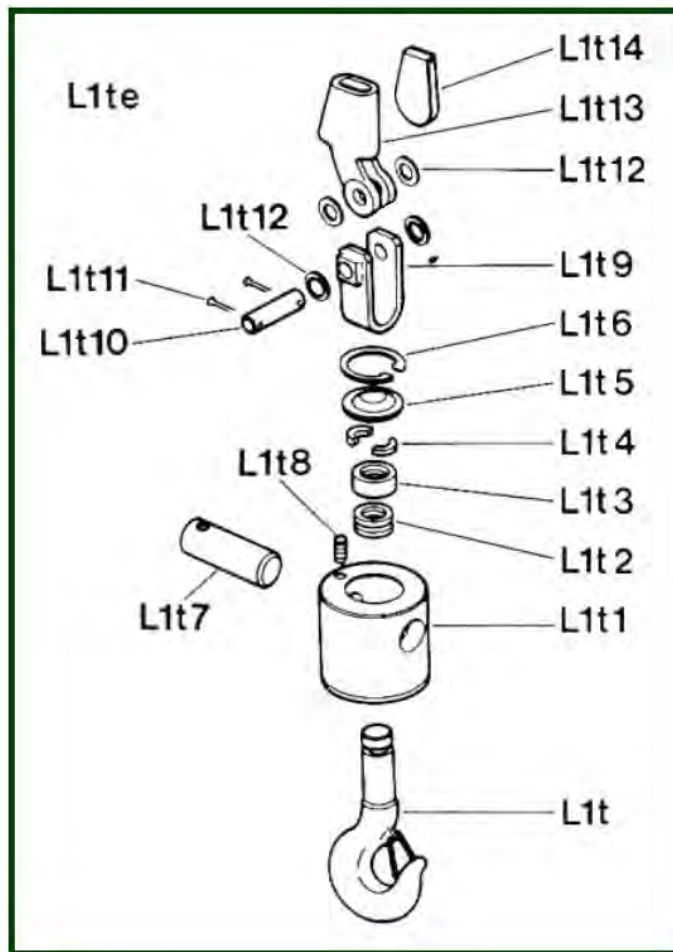
7) Return / Fixed point / Limit switch / Limiter



item	reference	description	observation	Quantity
	NC(1)	Counterweight		0
	5361565R	Protection return pulley	Sur demande / On request	1
-	5361567R	Bush 27 x 27 x 136	Sur demande / On request	1
-	5361568S	Fixed point bracket	Sur demande / On request	1
-	7541412N	Limit switch contact - Top		1
-	7545111H	Load limiter electrical contact	Avant fin / Before end 1991	1
-	3261911F	Load limiter mechanism plate		1
-	5361566Q	Ring 70 x 90 x 6,5		1
-	7545112J	Switch	Avant fin / Before end 1991	1
F5e	5261302G	Rope guide spacer L	E - EA	1
F5e	5261301F	Rope guide spacer N	E - EA	1
F5e	5261303H	Rope guide spacer SL	E - EA	1
F5e	5261304J	Rope guide spacer SSL	E - EA	1
F6e	5261322D	Frame bush D50 - L	E - EA sur demande / on request	1
F6e	5261321C	Frame bush D50 - N	E - EA sur demande / on request	1
F6e	5261323E	Frame bush D50 - SL	E - EA sur demande / on request	1

F6e	5261324F	Frame bush D50 - SSL	E - EA sur demande / on request	1
F7e	5261402R	Fixed point yoke L		1
F7e	5261902J	Fixed point yoke limiter L		1
F7e	5261901H	Fixed point yoke limiter N		1
F7e	5261903K	Fixed point yoke limiter SL		1
F7e	5261904L	Fixed point yoke limiter SSL		1
F7e	5261401Q	Fixed point yoke N		1
F7e	5261403S	Fixed point yoke SL		1
F7e	5261404T	Fixed point yoke SSL		1
F12c	3261520F	Return pulley assembly L		1
F12c	3261521G	Return pulley assembly SL		1
F12c	3261522H	Return pulley assembly SSL		1
F71e	5261411A	Shaft	DA - Ø 12 mm	1
F72e	8536126Y	Rope attachment	Câble / Rope Ø 12 mm	1
F73e	8536228J	Rope wedge	Câble / Rope Ø 11 mm - DA	1
F73e	8536226G	Wedge for cable (Æ 14)		1
F121e	5261515P	Return pulley yoke L		1
F121e	5261516Q	Return pulley yoke SL		1
F121e	5261517R	Return pulley yoke SSL		1
F122e	5261527B	Rope pulley protection		1
F123e	5261564N	6/1 return pulley shaft	Sur demande	1
F123e	5261528C	Return pulley shaft		1
F124e	7412141A	Bearing		2
F125e	5263618Z	Ring 70 x 90 x 4,5		3
F126e	7261125C	Circlips Ø 125		1
F127e	5263616X	Washer		2
F128e	5263420J	Pulley		1
F711e	7231201B	Flat washer		1
F712e	7271405B	Split pins	Câble / Rope Ø 11 mm	1
H1	5261332Q	Limit switch operating rod L	Lg 835 mm	1
H1	5261331P	Limit switch operating rod N	Lg 610 mm	1
H1	5261333R	Limit switch operating rod SL	Lg 1055 mm	1
H1	5261334S	Limit switch operating rod SSL	Lg 1250 mm	1
H2	5231343T	Threaded ferrule for limit rod		1
H3	5231342S	Guide for tappets		2
H3	7211254V	Screw		4
H3	5231341R	Tappet		2
H3	7232050Z	Washer		4
K62	5632003T	Hoisting limit switch contact bracket	Basse tension / Low voltage	1
K62	3632111X	Limit switch contact	Basse tension pour / Low voltage for C	1

8) Hook, 1 ropped



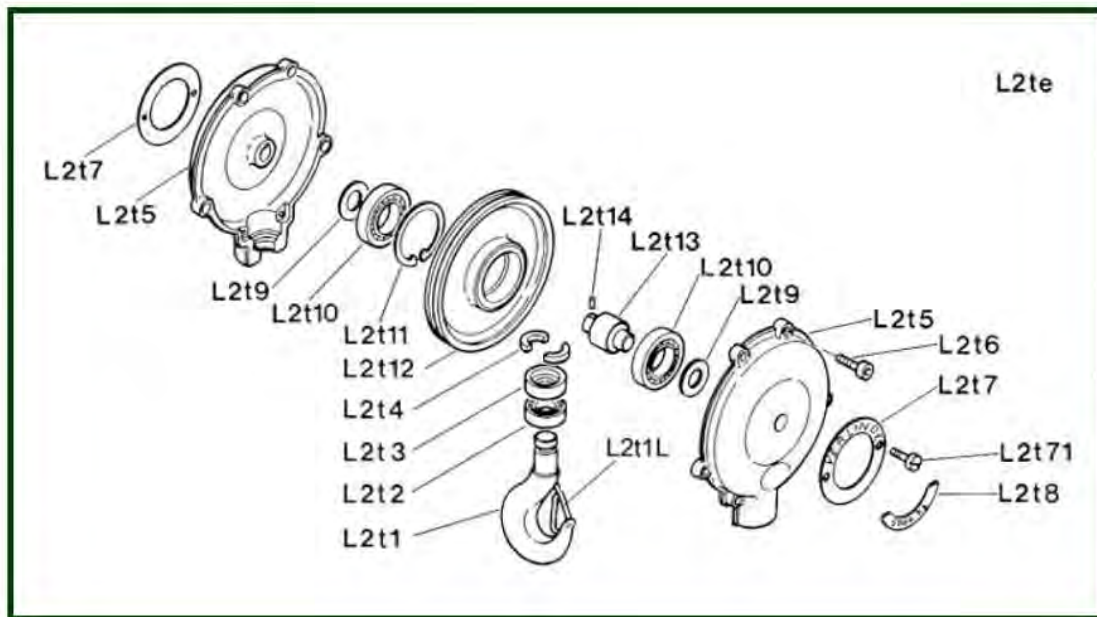
8.1) Câble Ø 12 mm

item	reference	description	observation	Quantity
-	<u>SR32F</u>	Safety catch (wire)	Câble / Rope Ø 11 & 12 mm	0
L1t1	<u>5233301W</u>	Washer	Câble / Rope Ø 11 & 12 mm	0
L1t2	<u>7431062S</u>	Thrust bearing		0
L1t3	<u>5233612J</u>	Cylindrical dish	Câble / Rope Ø 11 & 12 mm	0
L1t4	<u>5233613K</u>	Half segment ring	Câble / Rope Ø 11 & 12 mm	0
L1t5	<u>5233615N</u>	Cap	Câble / Rope Ø 11 & 12 mm	0
L1t6	<u>7261080D</u>	Internal circlip - Ø 80		0
L1t7	<u>5233302X</u>	Axle	Câble / Rope Ø 11 & 12 mm	0
L1t8	<u>7217434N</u>	Pointed screw	Câble / Rope Ø 11 & 12 mm	0
L1t9	<u>5263311R</u>	Stirrup	Câble / Rope Ø 12 mm	0
L1t10	<u>5263312S</u>	Rope attachment axle	Câble / Rope Ø 12 mm	0
L1t11	<u>831656</u>	Split pin		2
L1t12	<u>400762</u>	Washer	C1 - Câble / Rope Ø 12 mm	0
L1t13	<u>8536126Y</u>	Rope attachment	Câble / Rope Ø 12 mm	1
L1t14	<u>8536128J</u>	Rope wedge	Câble / Rope Ø 11 & 12 mm	0
L1t	<u>5233610G</u>	Hook with safety catch		0
L1td	<u>2253311B</u>	Hook assembly - 1 fall	Câble / Rope Ø 12 mm	1

8.2) Câble Ø 14 mm

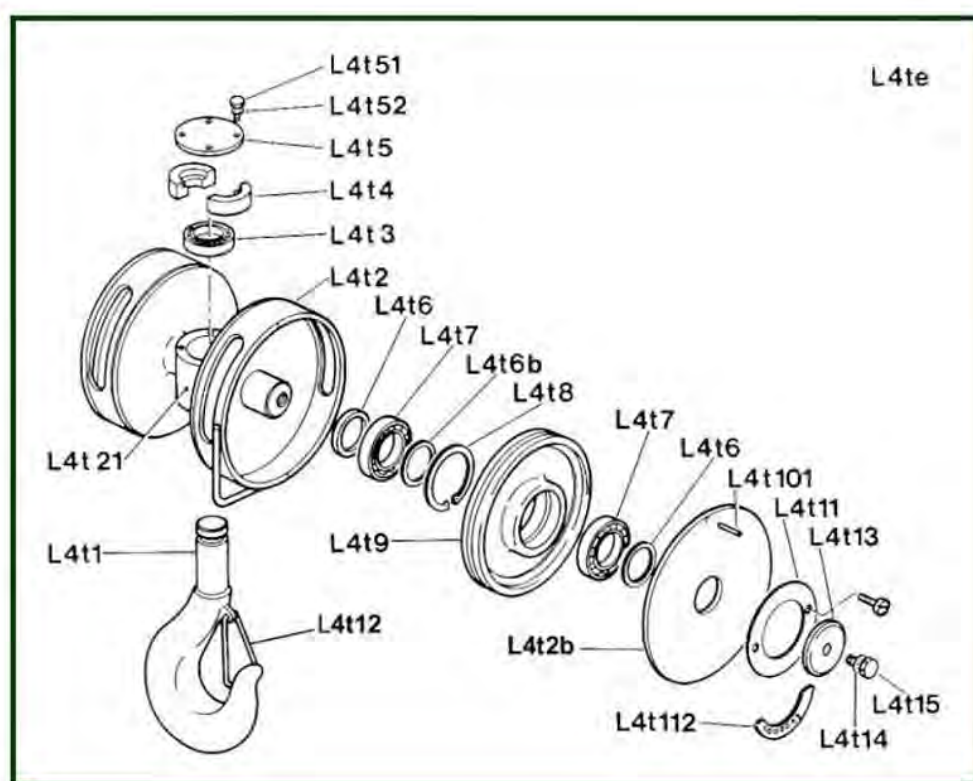
item	reference	description	observation	Quantity
-	<u>SR32F</u>	Safety catch (wire)	Câble / Rope Ø 11 & 12 mm	1
L1t1	<u>5233301W</u>	Washer	Câble / Rope Ø 11 & 12 mm	1
L1t2	<u>7431062S</u>	Thrust bearing		1
L1t3	<u>5233612J</u>	Cylindrical dish	Câble / Rope Ø 11 & 12 mm	1
L1t4	<u>5233613K</u>	Half segment ring	Câble / Rope Ø 11 & 12 mm	1
L1t5	<u>5233615N</u>	Cap	Câble / Rope Ø 11 & 12 mm	1
L1t6	<u>7261080D</u>	Internal circlip - Ø 80		1
L1t7	<u>5233302X</u>	Axle	Câble / Rope Ø 11 & 12 mm	1
L1t8	<u>7217434N</u>	Pointed screw	Câble / Rope Ø 11 & 12 mm	1
L1t9	<u>5263311R</u>	Stirrup	Câble / Rope Ø 12 mm	1
L1t10	<u>5263312S</u>	Rope attachment axle	Câble / Rope Ø 12 mm	1
L1t11	<u>831656</u>	Split pin		2
L1t12	<u>7231201B</u>	Flat washer		4
L1t13	<u>8536126Y</u>	Rope attachment	Câble / Rope Ø 12 mm	1
L1t14	<u>8536226G</u>	Wedge for cable (Æ 14)		0
L1t	<u>5233610G</u>	Hook with safety catch		1
L1te	<u>3263310J</u>	1 fall hook assembly		1

9) Lifting hook, 2 ropped



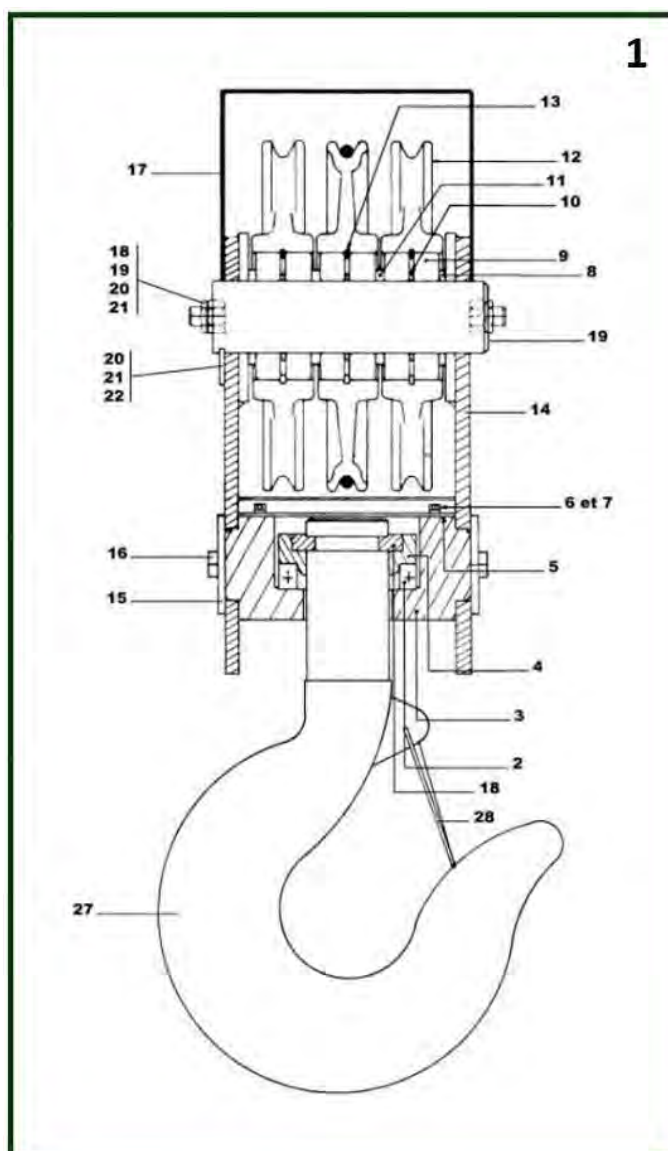
item	reference	description	observation	Quantity
	NC(1)	Counterweight		0
L2t1	5263413B	Hook and safety catch		1
L2t1L	SR60XP	Gravity operated safety catch with bolt and nut		1
L2t1L	SR60X	Plate safety catch		1
L2t1L	SR60F	Steel safety catch		1
L2t2	7431102K	Thrust bearing		1
L2t3	5263415D	Seating ring		1
L2t4	5263414C	2 part collar		1
L2t5	5263410Y	Gear housing	Pièces vendues ensemble / Parts sold together	2
L2t6	7215660J	CHCM screw 12 x 50		6
L2t7	KP4C	Company name plate		2
L2t8	KP10AV	Company name plate VERLINDE		2
L2t8	KP13A50GB	SWL plate 5 tons		2
L2t8	KP13A50	SWL plate 5000 kg		2
L2t8	KP15A2	SWL plate	Groupe II	2
L2t9	5263416E	Ring thickness 4 mm		2
L2t10	7412141A	Bearing		2
L2t11	7261125C	Circlips Ø 125		1
L2t12	5263420J	Pulley		1
L2t13	5263412A	Sheave pin		1
L2t14	7273252J	Dowel 5 x 10		1
L2t71	7211353C	HM screw 6 x 16	Liaison câble-tambour / For rope-drum	1
L2te	3263410K	2 fall hook assembly		1

10) Lifting hook, 4 ropped



item	reference	description	observation	Quantity
L4t1	5263610R	Hook with safety catch		1
L4t2	5263621C	Pulley protection cover	Pièces vendues ensemble / Parts sold together	2
L4t2b	5263615W	Casing closing disc		1
L4t3	7431122G	Thrust bearing		1
L4t4	5263612T	2 part collar		1
L4t5	5263620B	Closing plate		1
L4t6	5263617Y	Ring 70 x 90 x 9		4
L4t6b	5263618Z	Ring 70 x 90 x 4,5		1
L4t8	7261125C	Circlips Ø 125		2
L4t9	5263420J	Pulley		2
L4t11	KP4C	Company name plate		2
L4t12	SR120XP	Gravity operated safety catch with bolt and nut		1
L4t12	SR100X	Plate safety catch		1
L4t12	SR120F	Steel safety catch		1
L4t13	5263616X	Washer		2
L4t14	7232160U	Washer		2
L4t15	830610	HM 16 x 30 screw		2
L4t21	5263619A	Hook housing		1
L4t51	7211655F	HM screw 12 x 25		4
L4t52	7232120A	Grower washer (12)		1
L4t101	831640	Dowel 3 x 20		2
L4t111	7211353C	HM screw 6 x 16	Liaison câble-tambour / For rope-drum	4
L4t112	KP10AV	Company name plate VERLINDE		2
L4t112	KP13A80GB	SWL plate	8 tons	2
L4t112	KP13A80	SWL plate	8 000 kg	2
L4t112	KP13A100	SWL plate	10 000 Kg	2
L4t112	KP13H125	SWL plate	12 500 Kg	2
L4t112	KP15A2	SWL plate	Groupe II	2
L4te	3263610C	Hook assembly - 4 falls		1

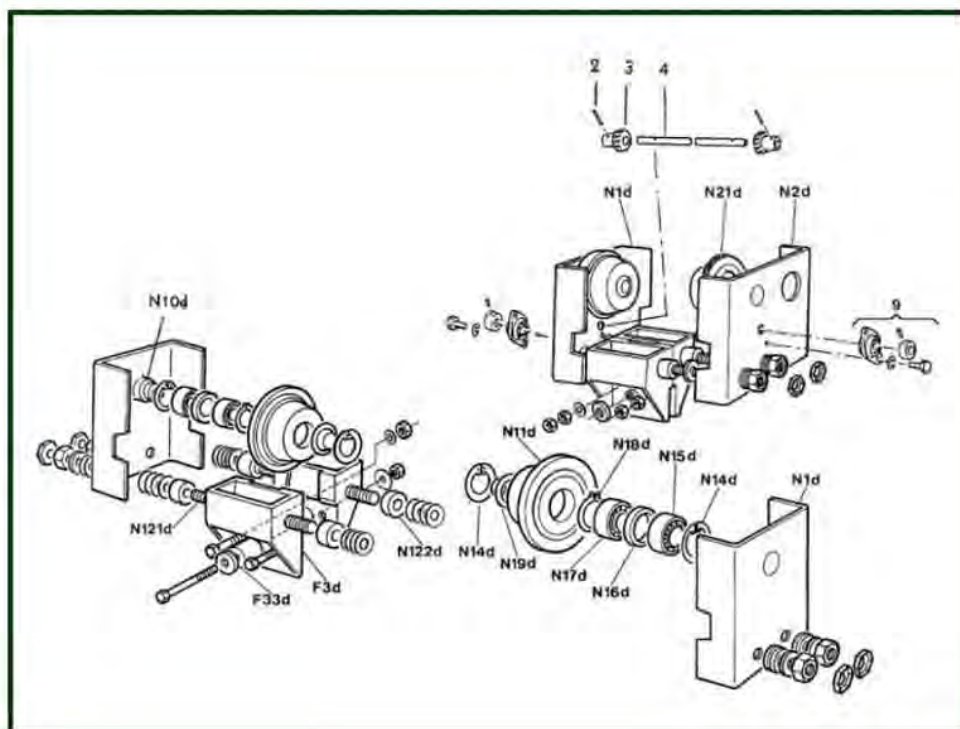
11) Lifting hook, 6 roped



item	reference	description	observation	Quantity
1	2363810J	Hook assembly - 6 falls	1600 kg	1
2	7431201T	Ball end stop		1
3	5363821R	Hook crosshead		1
4	5273634L	Dish		1
5	5363822S	Cover plate for hook		1
7	7232060K	Washer M6	Standard	4
8	5361566Q	Ring 70 x 90 x 6,5		2
9	7412141A	Bearing		6
10	5263618Z	Ring 70 x 90 x 4,5		3
11	5263617Y	Ring 70 x 90 x 9		2
12	5263420J	Pulley		3
13	7261125C	Cirelips Ø 125		3
14	5363820Q	Flange 6/1		2
15	5571012Y	Washer		2
16	7211353C	HM screw 6 x 16	Liaison câble-tambour / For rope-drum	2
17	5363827X	Protection housing for 6/1 lifting hook		1
18	5273632J	Half segment ring		1
19	5363824U	6/1 pulley axle		1
20	5263817R	Stoping plate		1
21	7232120A	Grower washer (12)		2

22	<u>7211654E</u>	HM screw 12 x 20		2
23	<u>5363825V</u>	Bush		2
24	<u>5363826W</u>	Spacer bolt	Lg 310 mm	2
25	<u>7221200F</u>	M20 nut		4
26	<u>7223200E</u>	PAL M20 nut		4
27	<u>5273610K</u>	Complete hook	20 T	1
28	<u>SR200F</u>	Safety clip		1
-	<u>KP4C</u>	Company name plate		2

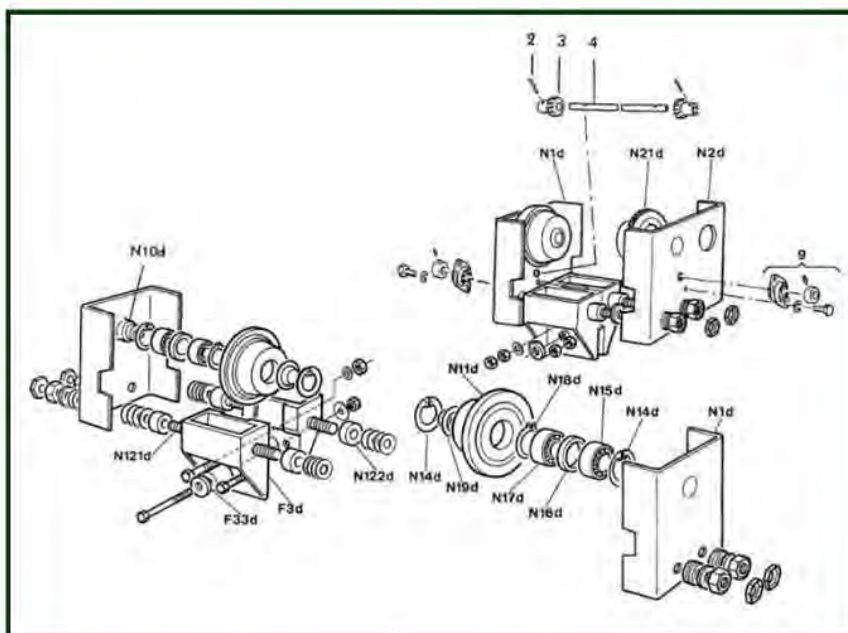
12) Monorail trolley HPN < 6300 Kg



item	reference	description	observation	Quantity
2	7273356X	MECANINDUS 6 x 30 pin		2
3	5833520H	Intermediate pinion	20 dents / 20 teeth	3
4	141043295	Jack shaft - Lg 340mm	Fer 90 à 150	1
4	141043296	Jack shaft - Lg 390mm	Fer 151 à 200	1
4	141043297	Jack shaft - Lg 440mm	Fer 201 à 250	1
4	141043298	Jack shaft - Lg 490mm	Fer 252 à 300	1
9	7447100Z	Bearing PFT		2
-	7661106Q	Earth brush	C1-C2-C3 - D & DA - 75 amp.	1
-	ECDK20T	Geared wheel with fittings without axle	Ancien modèle / Old model	1
-	ECDK10T	Idler runner with fittings without axle	Ancien modèle / Old model	1
-	7541312D	Travel limit switch	C1-C2-C3	1
F3d	141043304	Crosshead		2
F3d	5542252N	Crosshead		2
F33d	5542208Q	Suspensions sleeves		2
N1d	3541111J	Ungearred side plate with fittings	Avant / Before 01/1986	3
N1d	3541113L	Ungearred side plate with fittings	Depuis / Since 01/1986	2
N1d	3541114N	Ungearred side plate with fittings - Driven runner	Depuis / Since 01/1986	1
N1d	5541111X	Ungearred side plate without fittings with axle	Avant / Before 01/1986	3
N1d	5541113Z	Ungearred side plate without fittings with axle	Depuis / Since 01/1986	2
N2d	3541311B	Geared side plate with fittings	Avant / Before 01/1986	1
N2d	3541313D	Geared side plate with fittings - Left end carriage	Depuis / Since 01/1986	1
N2d	5541311Q	Geared side plate without fittings with axle	Avant / Before 01/1986	1
N2d	5541313S	Geared side plate without fittings with axle	Depuis / Since 01/1986	1
N10d	6541104W	Axle		4
N11d	4541111R	Idler runner with fittings without axle		1
N11d	5441151V	Idler runner without fittings with axle	Ø 150 x 186	1
N14d	7261080D	Internal circlip - Ø 80		2
N15d	7413070K	Bearing		1
N16d	5441152W	Collar		1
N17d	7412081K	Bearing		1

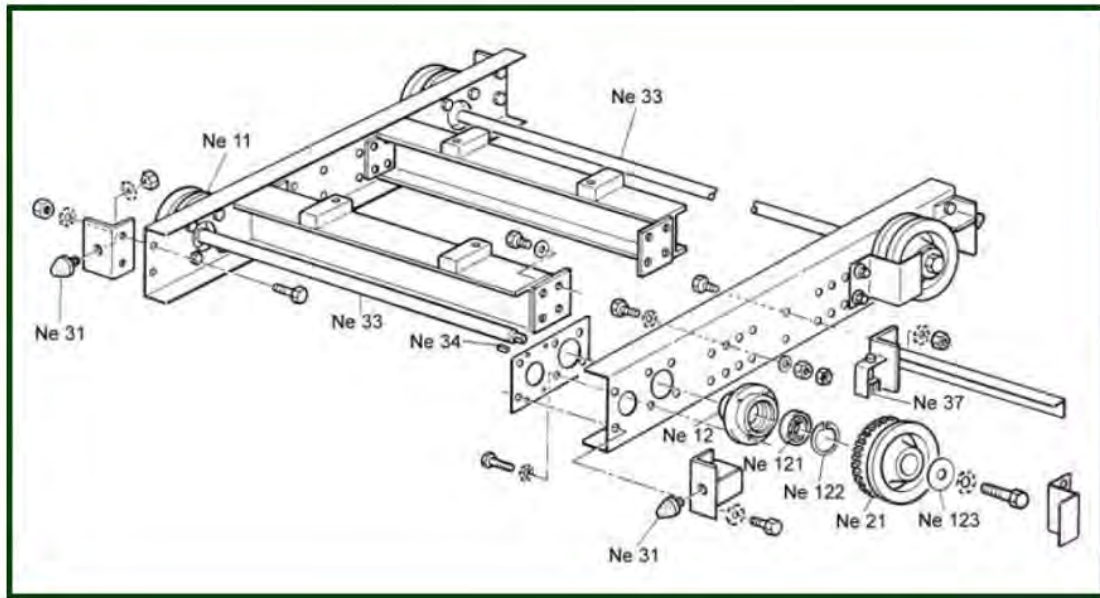
N18d	<u>7262035S</u>	Circlip - Ø 35		1
N19d	<u>5233615N</u>	Cap	Câble / Rope Ø 11 & 12 mm	1
N21d	<u>4541311H</u>	Geared wheel with fittings without axle		1
N21d	<u>5441351N</u>	Geared wheel without fittings	Ø 150 x 186 - 60 dents / 60 teeth	1
N121d	<u>5442102D</u>	Spacer	Lg 370mm	4
N121d	<u>5452102Y</u>	Spacer	Lg 440mm	4
N121d	<u>5452106C</u>	Spacer	Lg 540mm	4
N122d	<u>5442116U</u>	Collar	ép. /th. 25mm	1
N122d	<u>5442117V</u>	Collar	ép. /th. 50mm	1

13) Monorail trolley > 6300 Kg



item	reference	description	observation	Quantity
2	7273356X	MECANINDUS 6 x 30 pin		2
3	5833520H	Intermediate pinion	20 dents / 20 teeth	3
4	141043295	Jack shaft - Lg 340mm	Fer 90 à 150	1
4	141043296	Jack shaft - Lg 390mm	Fer 151 à 200	1
4	141043297	Jack shaft - Lg 440mm	Fer 201 à 250	1
4	141043298	Jack shaft - Lg 490mm	Fer 252 à 300	1
9	7447100Z	Bearing PFT		2
-	7661106Q	Earth brush	C1-C2-C3 - D & DA - 75 amp.	1
-	ECDK20T	Geared wheel with fittings without axle	Ancien modèle / Old model	1
-	ECDK10T	Idler runner with fittings without axle	Ancien modèle / Old model	1
-	7541312D	Travel limit switch	C1-C2-C3	1
F3d	5542252N	Crosshead		2
F3d	141043304	Crosshead		2
F33d	5542208Q	Suspensions sleeves		2
N1d	3551113F	Ungeared side plate		2
N1d	3551114G	Ungeared side plate complete driven wheels		1
N1d	5551113U	Ungeared side plate without fittings		3
N2d	3551312X	Geared side plate complete		1
N2d	5551312K	Geared side plate without fittings		1
N10d	6551103Q	Axle		1
N11d	5451151Q	Idler runner without fittings with axle	180 x 216	1
N11d	4551111K	Travel wheel		1
N14d	7261090Q	Interior circlip		2
N15d	7412101G	Bearing	Après / After 06 / 83	1
N16d	5451155U	Collar 82 x 89 x 12		1
N17d	7424080C	Bearing		1
N18d	7262040X	Exterior circlip		1
N19d	5243615G	Cap		2
N21d	5451351G	Geared wheel only	180 x 216	1
N21d	4551311B	Wheel motor		1
N121d	5442102D	Spacer	Lg 370mm	4
N121d	5452102Y	Spacer	Lg 440mm	4
N121d	5452106C	Spacer	Lg 540mm	4
N122d	5442116U	Collar	ép. /th. 25mm	1
N122d	5442117V	Collar	ép. /th. 50mm	1

14) Double girder frame - Type E & EA



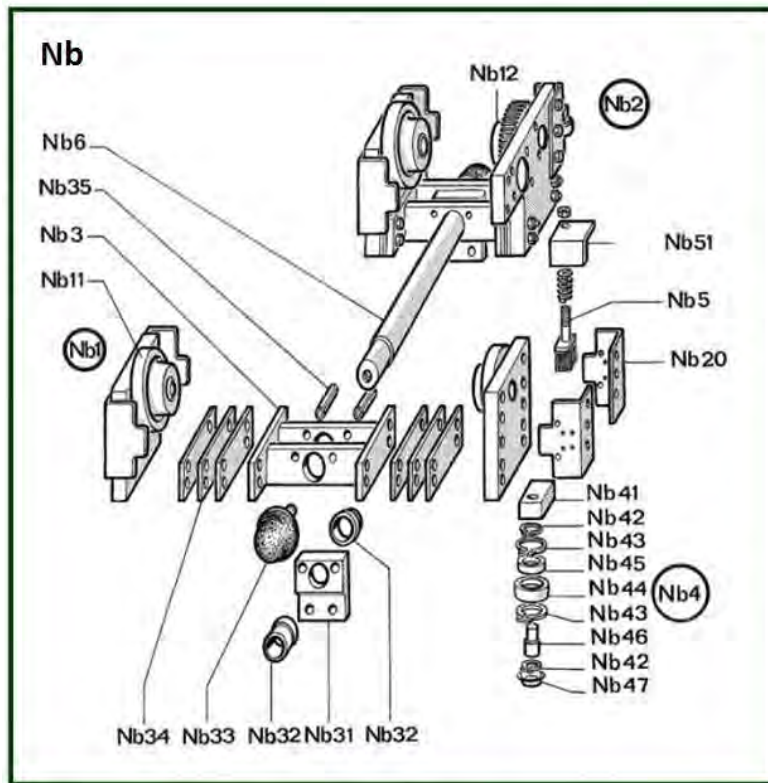
item	reference	description	observation	Quantity
Ne11	5481151Y	Idler runner - Ø200		3
Ne11	5571151Z	Idler runner - Ø200	Depuis / Since 06 / 83	3
Ne12	5571010W	Bearing housing	Depuis / Since 06 / 83	4
Ne21	5571351S	Driven runner - Ø200 - 76 teeth	Depuis / Since 06 / 83 71 mm	1
Ne21	5481352S	Driven runner - Ø200 - 76 teeth	63 mm	1
Ne31	7910802Y	Rubber buffer	Ø 80	4
Ne33	5572214E	Shaft - 1,4m		2
Ne33	5482221L	Shaft - 1,4m	Pour galet / For wheel Ø200	2
Ne33	5482211A	Shaft - 1m	Avant / Before 06 / 83 - Galet / Wheel - Ø200	2
Ne33	5572210A	Shaft groove - 1m		2
Ne34	7281142K	Key		4
Ne37	3661106Q	Earth brush 75 amp.		1
Ne121	7425100L	Bearing		4
Ne121	7412101G	Bearing	Après / After 06 / 83	4
Ne121	7417085Z	Bearing	Galet / Wheel Ø160	4
Ne122	7261090Q	Interior circlip		4
Ne123	5571012Y	Washer		4

14.1) Double girder 16 & 20 tonnes

item	reference	description	observation	Quantity
	<u>7424090P</u>	Bearing ball joint	Equipement galet traité / Treated wheel	8
	<u>5842023A</u>	Driven runner heat treated G = 50 mm	Ø 250 mm - Equipement galet traité / Treated wheel	2
	<u>7661105P</u>	Earth brush	150 amp.	1
	<u>5842032K</u>	Heat treated wheel shaft	Ø 45 mm - Equipement galet traité / Treated wheel	4
	<u>5842013Q</u>	Idler runner heat treated G = 50 mm	Ø 250 mm - Equipement galet traité / Treated wheel	2
	<u>7261100A</u>	Interior circlip - Ø 100		8
	<u>5842042W</u>	Shouldered Collar		4
	<u>5842034N</u>	Spacer collar - 47 x 57 x 70	Equipement galet traité / Treated wheel	4
	<u>5841041H</u>	Stop plate		4

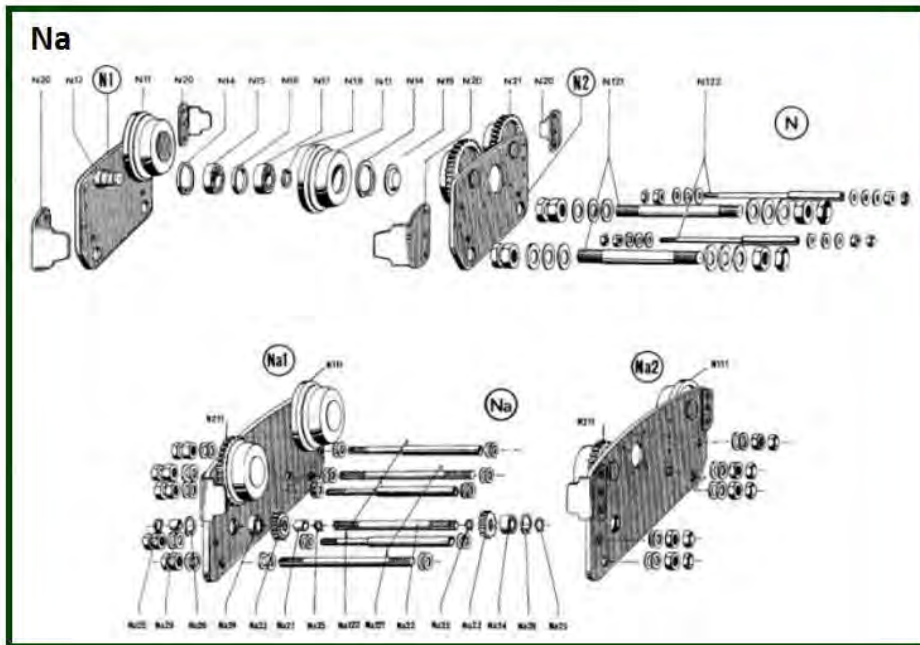
15) Bissel trolley - E Type

NOUS CONSULTER / CONSULT US

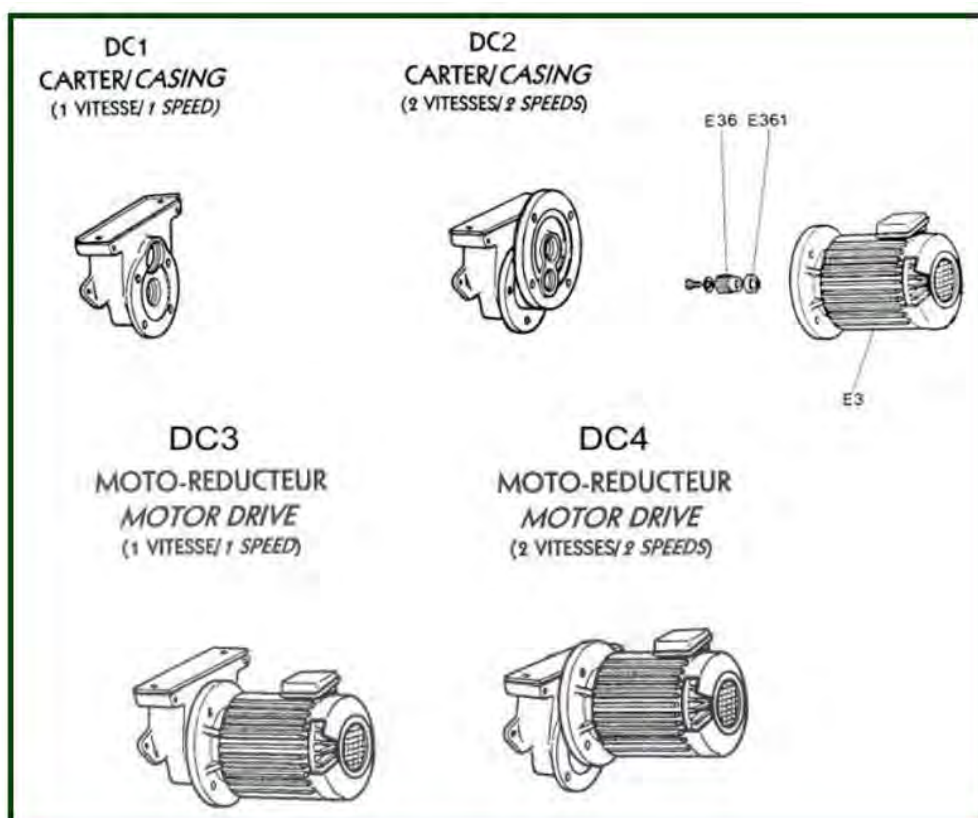


16) NA trolley - E type

NOUS CONSULTER / CONSULT US



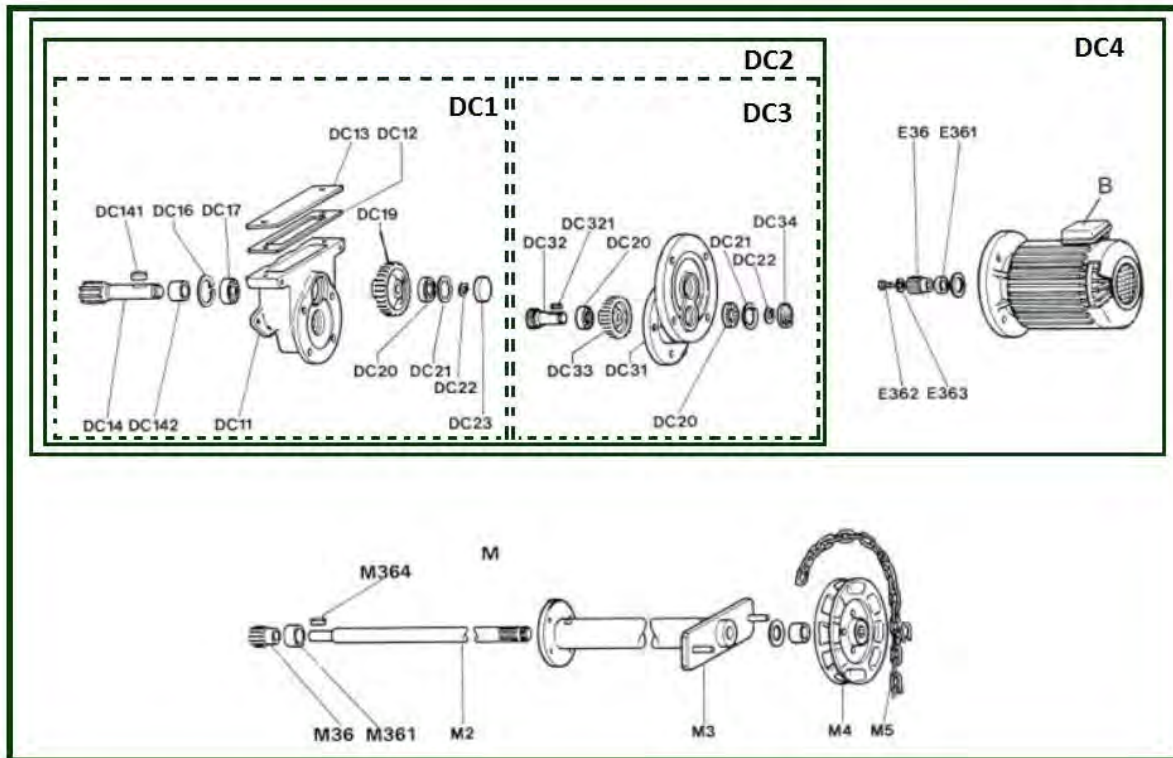
17) Gear and motorgear



item	reference	description	observation	Quantity
-	5438112S	Pinion collar - 32 teeth	EA-E - E HPR72 - B,C,E	1
DC1	3544011L	Gear - 10 or 20/5m/mn - 16 teeth	HPR72 Chariot Bissel / Bissel trolley	1
DC1	3444020A	Gear - 20 or 30 m/min - 23 teeth	EA - Birail / Double girder 16T & 20T	1
DC1	3444013T	Gear - 20 or 30m/mn - 11 teeth	EA - Birail / Double girder	1
DC1	3444010Q	Gear - 20 or 30m/mn - 16 teeth	E	1
DC1	3544010K	Gear - 20 or 30 m/mn - 16 teeth	HPR72 Chariot Bissel / Bissel trolley	1
DC2	3444011R	Gear 10 or 20/5m/mn - 16 teeth	E	1
DC2	3444014U	Gear - 5 or 10m/mn - 11 teeth	EA	1
DC2	3444015V	Gear - 30/7,5m/mn - 11 teeth	EA	1
DC3	2558473Z	Motorgear 30m/mn - 23 teeth	EA - 220-380V 16T & 20T	1
DC3	2548143W	Motorgear - 10 m/mn - 11 teeth	E - 200-380V 6,3T	1
DC3	3447561Z	Motorgear - 10m/mn - 16 teeth	E - 220-380V	1
DC3	3547861W	Motorgear - 10m/mn - 16 teeth	HPR72 Chariot Bissel / Bissel trolley	1
DC3	2548173D	Motorgear - 20 m/mn - 11 teeth	E - 220-380V 6,3T 50HZ-PA	1
DC3	2548163T	Motorgear - 20 m/mn - 11 teeth	E - 220-380V 6,3T 50HZ-PA	1
DC3	3447441U	Motorgear - 20m/mn - 16 teeth	E - 220-380V	1
DC3	3547741R	Motorgear - 20m/mn - 16 teeth	HPR72 Chariot Bissel / Bissel trolley- Ø100	1
DC3	2558463P	Motorgear - 20m/mn - 23 teeth	EA - 220-380V 16T & 20T	1
DC3	2447461J	Motorgear - 30m/mn - 16 teeth	E - 200-380V 6,3T	1
DC4	3547581S	Motorgear 20/5m/mn - 11 teeth	EA - 220-380V 6,3T & 12,5T	1
DC4	2548263B	Motorgear - 20/5 m/mn - 11 teeth	E - 220-380V 50HZ-PA	1
DC4	3447571K	Motorgear - 20/5m/mn - 16 teeth	E - 220-380V 6,3T & 12,5T D50-D63 - Birail / Double girder	1
DC4	3547881T	Motorgear - 20/5m/mn - 16 teeth	HPR72 Chariot Bissel / Bissel trolley D25-D63	1
DC4	3447581W	Motorgear - 20/5 m/mn - 16 teeth	E - 220-380V	1
E3	7350272B	Brake motor LS71FAST 0,37Kw 1500t/mn 220/380V	EA-E - E HPR72 - Bride 140BA 14x30	1

E3	7350151V	Brake motor LS71FCR 0,25 Kw 1000t/mn 220/380V	EA-E - E HPR72 - Bride 140BA 14x30	1
E3	7350271A	Brake motor LS71FCR 0,37Kw 1500t/mn 220/380V	EA-E - E HPR72 - Bride 200BA 14x30	1
E3	7352401R	Brake motor LS71FCR 0,55/0.12 Kw 3000/750t/mn 220/380V	EA-E - E HPR72 - Bride 200BA 14x30	1
E3	7352261P	Brake motor LS80 FAST 0,75Kw 1500t/mn 220/380V	EA-E - E HPR72 - Bride 140BA 14x30	1
E3	7352267V	Brake motor LS80 FAST 0,75Kw 1500t/mn 220/380V	EA-E - E HPR72 - Bride 200BA 14x30	1
E3	7352760F	Brake motor LS80 FAST 0,75Kw 1500t/mn 240/415V	EA-E - E HPR72 - Plus fourni / No more supplied	1
E3	7352011S	Brake motor LS80FCR 0,18Kw 750t/mn 220/380V	EA-E - E HPR72 - Bride 200BA 14x30	1
E3	7352171R	Brake motor LS80FCR 0,55Kw 1000t/mn 220/380V	EA-E - E HPR72 - Bride 140BA 14x30 - Frein / Brake FCR 180VDC	1
E3	7352177X	Brake motor LS80FCR 0,55Kw 1000t/mn 220/380V	EA-E - E HPR72 - Bride 200BA 14x30	1
E3	7352271Z	Brake motor LS80FCR 0,55Kw 1500t/mn 220/380V	EA-E - E HPR72 - Bride 200 BA 19x40	1
E3	7353407J	Brake motor LS90 FAST 0,48/0,12Kw 3000/750t/mn 220/380V	EA-E - E HPR72 - Bride 200BA 14x30	1
E3	7353037G	Brake motor LS90 FAST 220/380V 0,37Kw 3000/750t/mn	EA-E - E HPR72 - Plus fourni / No more supplied	1
E3	7353461T	Brake motor LS90 FAST 220/380V 0,75/0,18Kw 3000/750t/mn	EA-E - E HPR72 - Bride 200 BA 19x40	1
E36	5438101E	Motor pinion - 23 teeth	EA-E - E HPR72 - Alésage / Bore 14 - A,D	1
E36	5438103G	Motor pinion - 32 teeth	EA-E - E HPR72 - Alésage / Bore 14 - B,C,E	1
E361	5438111R	Collar pinion motor - 23 teeth	EA-E - E HPR72 - A,D	1

18) Electric travel and hand chain travel



item	reference	description	observation	Quantity
	5434107P	Breather		1
	5434106N	Drain plug		1
	8913045T	Grease	1 kg	1
B	BR288	Motor connecting box		1
DC11	5434104K	Gear case	1 vitesse / speed	1
DC11	5444101B	Gear case	D	1
DC12	5434103J	Seal		1
DC12	5444103D	Seal	D	1
DC13	5434105L	Cover		1
DC13	5444105F	Cover	D	1
DC14	5444211W	Drive pinion - 16 teeth	D	1
DC14	5444215A	Drive pinion M3 - 11 teeth	Largeur de denture / Tooth width 45mm (->1989) / 55mm (1989->)	1
DC16	300077	Interior circlip	D et DA - I/77 - Ø 47	1
DC17	7412045W	Bearing		1
DC17	7415050N	Bearing	D	1
DC17	7410055H	Bearing	D HPR 72 (Chariot / Trolley Bissel)	1
DC17	7464530V	Seal SIMRIT	D	1
DC19	5434201R	Gear - 93 teeth		1
DC19	5444201K	Gear - 136 teeth	D	1
DC20	7415040B	Bearing		1
DC20	7464510Y	Seal SIMRIT	20 ou 30 m/mn - 5-10 ou 20/5	1
DC21	7261042N	Interior circlip		1
DC22	830860	Exterior circlip - Ø 20	C2	1
DC23	5434203T	Sealing cap		1
DC31	5444501L	2 speeds gearcase	D	1
DC31	5434501S	Gearcase 2 speeds		1
DC32	5434611L	Pinion shaft - 23 teeth		1
DC33	5434602B	Gear - 64 teeth	30/7.5 m/mn	1
DC33	5434601A	Gear - 69 teeth	5-10-20/5 m/mn	1
DC34	5434603C	Cover 42		1
DC141	7281082V	Key	D	1

DC141	<u>7282062K</u>	Pinion key - 23 teeth	2 BR 6 x 6 x 20	1
DC142	<u>5444216B</u>	Pinion collar - 11 teeth	DA	1
DC142	<u>5444212X</u>	Pinion collar - 16 teeth	D	1
DC142	<u>5544212T</u>	Pinion collar - 19 teeth	D - HPR 72 (chariot Bissel)	1
E36	<u>5438101E</u>	Motor pinion - 23 teeth	EA-E - E HPR72 - Alésage / Bore 14 - A,D	1
E361	<u>5438111R</u>	Collar pinion motor - 23 teeth	EA-E - E HPR72 - A,D	1
M2	<u>5543214H</u>	Drive shaft - LHT	Hauteur Perdue Réduite / Low Headroom Trolley	1
M2	<u>5543213G</u>	Drive shaft - NHT	Hauteur Perdue Normale / Normal Headroom Trolley	1
M3	<u>5543203W</u>	Support tube - LHT	Hauteur Perdue Réduite / Low Headroom Trolley	1
M3	<u>5533204C</u>	Support tube - NHT	Hauteur Perdue Normale / Normal Headroom Trolley	1
M4	<u>5433215U</u>	Chain wheel	Tous types / All types	1
M5	<u>820003</u>	Galvanized hand chain - 5 x 27,1		1
M36	<u>5543216K</u>	Pinion - 11 teeth - NHT	Hauteur Perdue Normale / Normal Headroom Trolley	1
M361	<u>5543215J</u>	Pinion collar - 11 teeth - LHT	Hauteur Perdue Réduite / Low Headroom Trolley	1
M364	<u>7281054Q</u>	Key - NHT	Hauteur Perdue Normale / Normal Headroom Trolley	1
M	<u>3543213U</u>	Complete chaine drive - LHT	Hauteur Perdue Réduite / Low Headroom Trolley	1
M	<u>3543212T</u>	Complete chaine drive - NHT	Hauteur Perdue Normale / Normal Headroom Trolley	1

19) Hoisting wire rope

item	reference	description	observation	Quantity
-	<u>7312146Q</u>	Non rotating wire rope - Ø14	UL - 2/1 - Mètre / Meter	1
-	<u>7313056Z</u>	Non-rotating wire rope Ø 15	Mètre / Meter	1
-	<u>7323056U</u>	Preformed wire rope Ø 15	Mètre / Meter	1
-	<u>7322835D</u>	Preformed wire rope - Ø 14	UL - 8/1 - Mètre / Meter	1
-	<u>7333140E</u>	Rope clamp - Ø 14		1

19.1) Precut rope

item	reference	description	observation	Quantity
-	<u>S262214Y</u>	Non-rotating wire rope Ø 14	Lg 23,5m - 1/1 N	1
-	<u>S262215Z</u>	Non-rotating wire rope Ø 14	Lg 38m - 1/1 L	1
-	<u>S262211V</u>	Non-rotating wire rope Ø 14	Lg 39 m - 2/1 L	1
-	<u>S262216A</u>	Non-rotating wire rope Ø 14	Lg 52 m - 1/1 S	1
-	<u>S262212W</u>	Non-rotating wire rope Ø 14	Lg 53 m - 2/1 S	1
-	<u>S262217B</u>	Non-rotating wire rope Ø 14	Lg 64,5 m - 1/1 S	1
-	<u>S262213X</u>	Non-rotating wire rope Ø 14	Lg 65,5 m - 2/1 S	1
-	<u>S362218Y</u>	Non-rotating wire rope Ø 15	Lg 23,5 m - 1/1 N	1
-	<u>S362219Z</u>	Non-rotating wire rope Ø 15	Lg 38 m - 1/1 L	1
-	<u>S362220A</u>	Non-rotating wire rope Ø 15	Lg 39 m - 2/1 L	1
-	<u>S362221B</u>	Non-rotating wire rope Ø 15	Lg 52 m - 1/1 SL	1
-	<u>S362222C</u>	Non-rotating wire rope Ø 15	Lg 53 m - 2/1 SL	1
-	<u>S362223D</u>	Non-rotating wire rope Ø 15	Lg 64,5 m - 1/1 SSL	1
-	<u>S362224E</u>	Non-rotating wire rope Ø 15	Lg 65,5 m - 2/1 SSL	1
-	<u>S262201J</u>	Preformed wire rope Ø 14	Lg 24,5 m - 2/1	1
-	<u>S262202K</u>	Preformed wire rope Ø 14	Lg 41 m - 4/1	1
-	<u>S262203L</u>	Preformed wire rope Ø 14	Lg 55 m - 4/1	1
-	<u>S262204N</u>	Preformed wire rope Ø 14	Lg 67,5 m - 4/1 S	1
-	<u>S362205J</u>	Preformed wire rope Ø 15	Lg 24,5 m - 2/1 N	1
-	<u>S362206K</u>	Preformed wire rope Ø 15	Lg 41 m - 4/1 L	1
-	<u>S362207L</u>	Preformed wire rope Ø 15	Lg 55 m - 4/1 SL	1
-	<u>S362208N</u>	Preformed wire rope Ø 15	Lg 67,5 m - 4/1 SSL	1
-	<u>S155B14L26.5T</u>	Preformed wire rope with rope fastener Ø 14	Lg 26,5 m	1
-	<u>S155B14L41T</u>	Preformed wire rope with rope fastener Ø 14	Lg 41 m	1
-	<u>S155B14L43T</u>	Preformed wire rope with rope fastener Ø 14	Lg 43 m	1

20) Electrical equipment

item	reference	description	observation	Quantity
-	7536311T	Auxiliary contact LA1D11	N1 à N3	1
-	1113007	Auxiliary contact LA1D20	7536314W	1
-	7536312U	Auxiliary contact LA1D22	«2F+2O»	1
-	7536411B	Auxiliary contact LA2D22		1
-	7536413D	Auxiliary contact LA3D22		1
-	7691142N	Bulb		1
-	13000260001	Connector for POK relay		1
-	7521113Y	Diode rectifier 40HA60		1
-	7578503D	Fuse 3AM HRC	6x23 3A GI	1
-	7571404N	Fuse 4A 14 x 51		1
-	7571302B	Fuse 5 x 20 2A		1
-	7571303C	Fuse 5 x 20 3A		1
-	7571304D	Fuse 5 x 20 4A		1
-	7571511D	Fuse 10 A14 x 51		1
-	7571514G	Fuse 16 A ACC 14 x 51		1
-	7571515H	Fuse 20 A 14 x 51		1
-	7571417B	Fuse 25A 14 x 51		1
-	7531122C	Interlocked contactors 400V/48V - LC2D129E	AK1-AK2 - Moteur / Motor P1-P2-P3-N1-N2	1
-	7531325Y	Interlocked contactors 400V/48V - LC2D259E	AK1-AK2 Moteur / Motor P5	1
-	7691133C	Lamp	48V	1
-	7535414T	Relay FINDER	48V	1
-	7535212Y	Relay POK 1 A		1
-	7522111H	Resistance 13,5 O		1
-	7522131E	Resistance 15 O		1
-	3633515A	Single Protection phase	380V	1
-	7511912X	Transformer 220/380 V 2 x 24 V (100 VA)		1
-	7513011S	Transformer 220/380 V 2 x 24 V (400 VA)		1
-	7513211J	Transformer	220-380V / 2x24V (630 VA)	1
-	1113029	Two speed selection contactor 400V/48V - LC1D258E	(7532324J) - AK4 - Moteur / Motor P4/P5	1
-	7531423E	Up and down contactor 400V/48V - LC2D403E	Moteur / Motor P7 - AK1-AK2	1