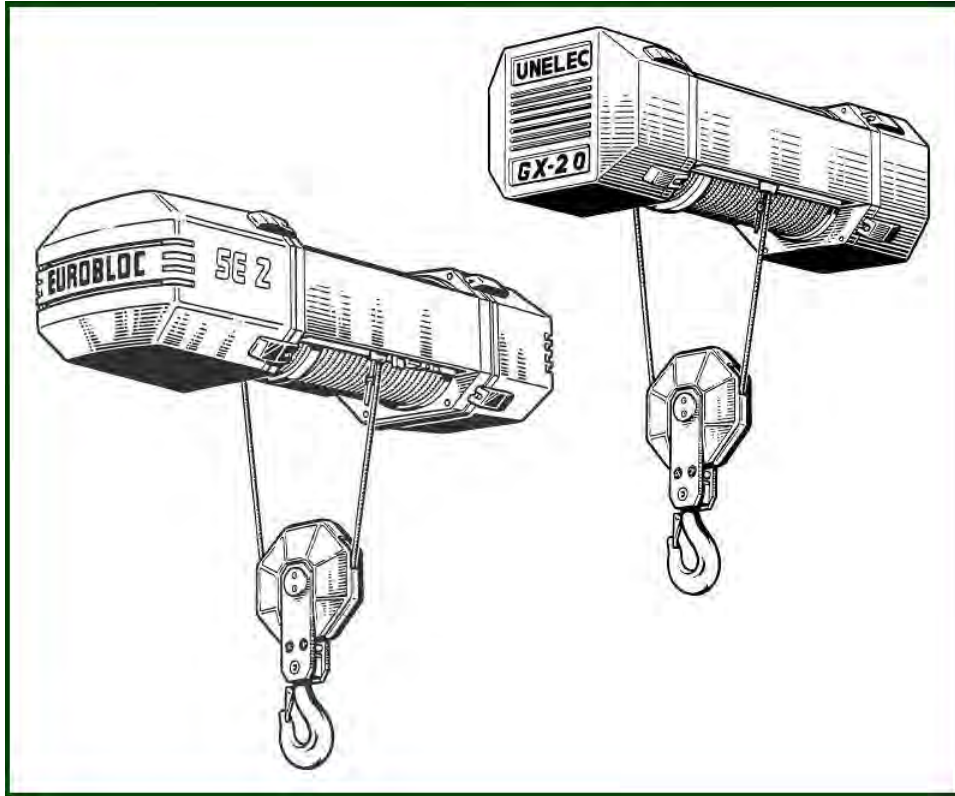


## Spare parts catalog for "SE2 - GX20"

To avoid errors, when ordering please specify:

- Complete type of hoist
- Date of manufacture and serial number
- Spare part code
- Spare part designation
- Additional information



### 1) SUB-ASSEMBLIES

- 1.1) SE
- 1.2) GX

2) NHT TROLLEY 2/1-4/1 - POSITION OF RETURN PULLEY FIXED POINT WITH OR WITHOUT LOAD LIMITER

3) LHT TROLLEY 2/1-4/1 - POSITION OF RETURN PULLEY AND FIXED POINT WITH OR WITHOUT LOAD LIMITER

4) DRUM - ROPE GUIDE - LIMIT SWITCH - ROPE

4.1) Pre-cut rope

5) HOIST GEARBOX

6) HOISTING MOTOR

6.1) Autre

7) MICRO-SPEED

8) HOOK - 1 FALL

9) HOOK - 2 FALLS

10) HOOK - 4 FALLS

11) NHT MONORAIL TROLLEY

12) LHT TROLLEY

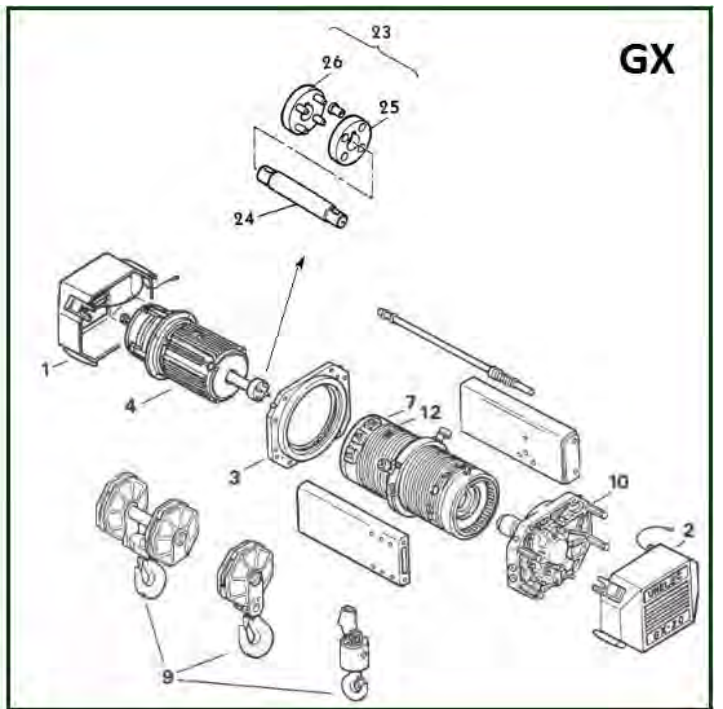
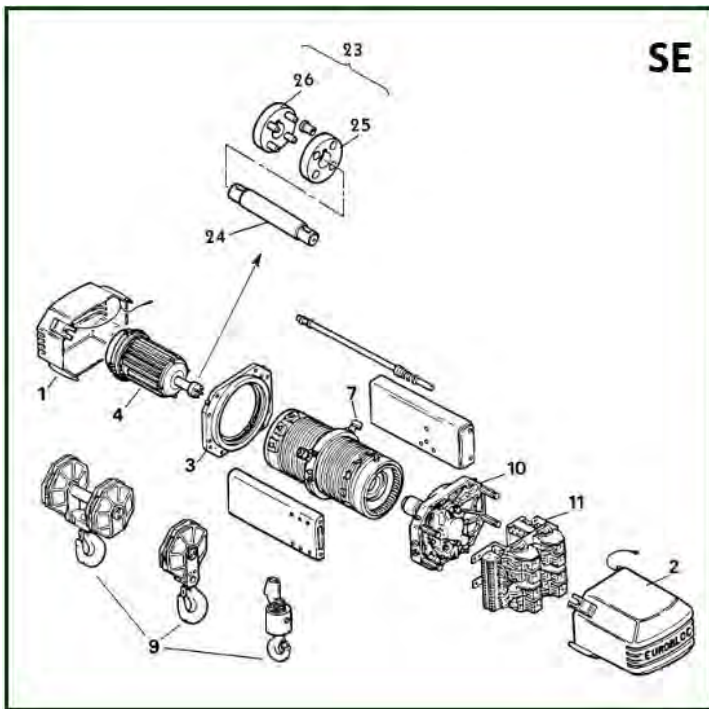
13) CRAB FRAME WITH CARRIAGES VP09 2&4 BRINS<5T

14) CRAB FRAME - 4 FALLS - 6,3 T

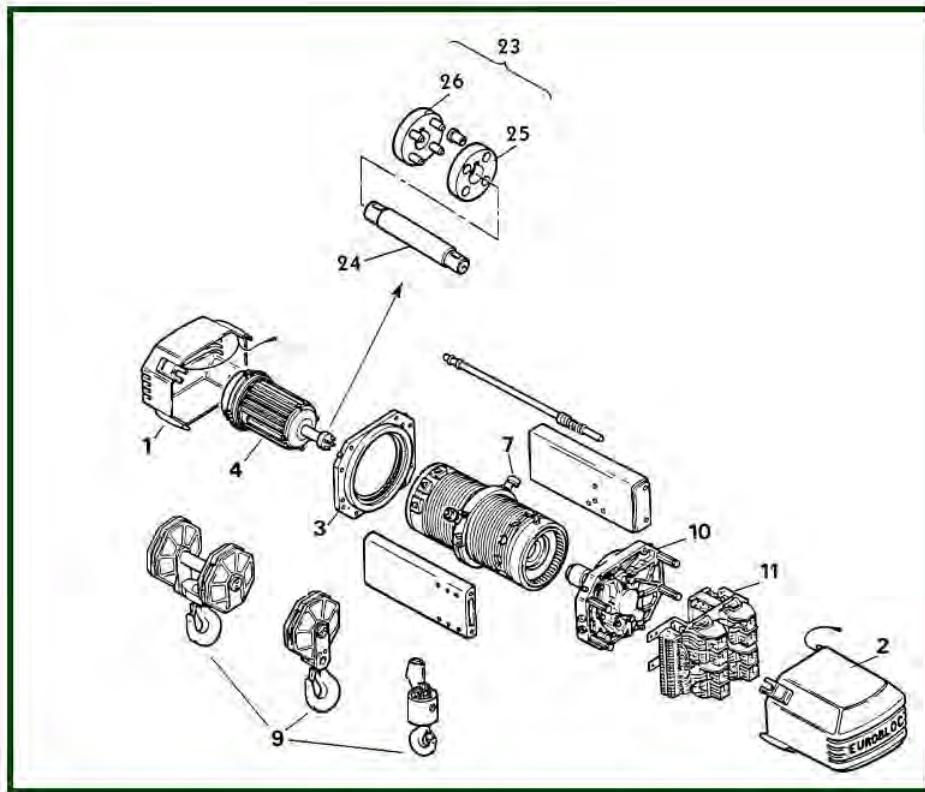
15) CRAB FRAME - 6,3T

16) ELECTRIC EQUIPMENT

# 1) Sub-assemblies

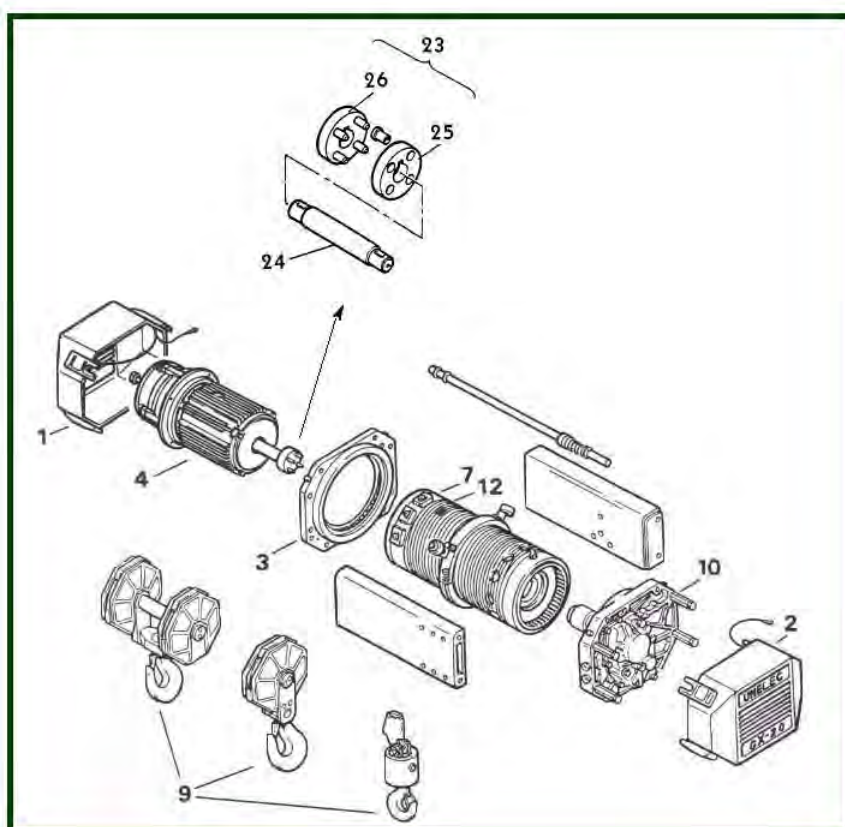


## 1.1) SE



item	reference	description	observation	Quantity
1	<a href="#">28533003</a>	Micro speed housing		1
1	<a href="#">28533001</a>	Motor housing		1
2	<a href="#">28533002</a>	Gearbox housing		1
3	<a href="#">21125002</a>	Motor and connecting flange		1
4	<a href="#">28001124</a>	Hoist motor - 1 speed	4,5Kw - 415V	1
4	<a href="#">28001074</a>	Hoist motor - 1 speed	4.5 Kw - 220/380V	1
4	<a href="#">28002014</a>	Hoist motor - 2 speeds	4,5/1,5Kw - 220V	1
4	<a href="#">28002054</a>	Hoist motor - 2 speeds	4,5/1,5 Kw - 380V	1
4	<a href="#">28002124</a>	Hoist motor - 2 speeds	4,5/1,5 Kw - 415V	1
7	<a href="#">22301003</a>	Complete rope guide - 8mm	Pas de 9 - Droite/Right	1
7	<a href="#">22301004</a>	Complete rope guide - 8mm	Pas de 9 - Gauche/left	1
7	<a href="#">22301001</a>	Complete rope guide - 10mm	Pas de 11,3 - Droite/Right	1
7	<a href="#">22301002</a>	Complete rope guide - 10mm	Pas de 11,3 - Gauche/Left	1
9	<a href="#">23201001</a>	Complete bottom block	2 brins / 2 falls	1
9	<a href="#">23401001</a>	Complete bottom block	4 brins / 4 falls	1
9	<a href="#">5233610G</a>	Hook with safety catch		1
10	<a href="#">24001002</a>	Complete hoist gearbox	16m/mn	1
10	<a href="#">24001001</a>	Complete hoist gearbox	20m/mn	1
11	<a href="#">Chap. 16</a>	Switch gear		1
23	<a href="#">22401001</a>	Complete coupling	25+ 26	1
23	<a href="#">22401002</a>	Complete shaft long	24+25+26	1
23	<a href="#">22401003</a>	Complete shaft super long	24+25+26	1
24	<a href="#">22415001</a>	Shaft long typ		1
24	<a href="#">22415002</a>	Shaft super long		1
25	<a href="#">22417002</a>	Coupling female		1
26	<a href="#">22417001</a>	Coupling male		1
-	<a href="#">7791300E</a>	Cover seal		1
-	<a href="#">18533007</a>	Fixing part for hoist covers		1
=	<a href="#">28101001</a>	Micro-speed	0,75 Kw - 220/380V	1
=	<a href="#">28103070</a>	Motor micro-speed	0,75 Kw - 220/380V	1
=	<a href="#">28103120</a>	Motor micro-speed	0,75Kw - 415V	1

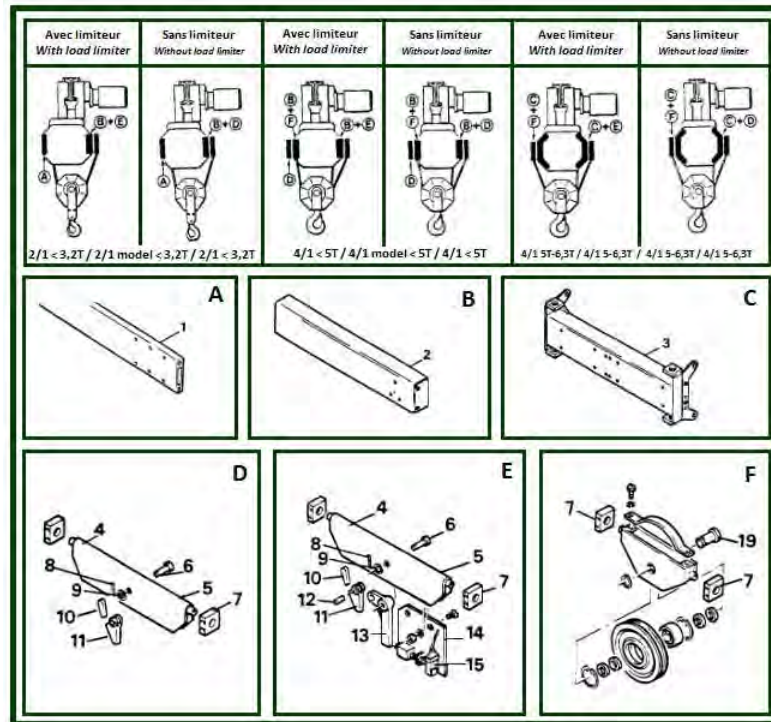
## 1.2) GX



item	reference	description	observation	Quantity
1	<a href="#">342028533004</a>	Motor housing		1
2	<a href="#">342028533005</a>	Gearbox housing		1
3	<a href="#">21125002</a>	Motor and connecting flange		1
4	<a href="#">34207344241W</a>	Single speed hoist motor	4,5Kw - 220-380-415V - LS100 FCO	1
4	<a href="#">34207346541W</a>	Two speed hoist motor	4,5/1,5Kw - 220-380-415V - LS132 FCO	1
7	<a href="#">22301003</a>	Complete rope guide - 8mm	Pas de 9 - Droite/Right	1
7	<a href="#">22301004</a>	Complete rope guide - 8mm	Pas de 9 - Gauche/left	1
7	<a href="#">22301001</a>	Complete rope guide - 10mm	Pas de 11,3 - Droite/Right	1
7	<a href="#">22301002</a>	Complete rope guide - 10mm	Pas de 11,3 - Gauche/Left	1
9	<a href="#">23201001</a>	Complete bottom block	2 brins / 2 falls	1
9	<a href="#">23401001</a>	Complete bottom block	4 brins / 4 falls	1
9	<a href="#">5233610G</a>	Hook with safety catch		1
10	<a href="#">24001002</a>	Complete hoist gearbox	16m/mn	1
10	<a href="#">24001001</a>	Complete hoist gearbox	20m/mn	1
11	<a href="#">Chap. 16</a>	Switch gear		1
23	<a href="#">22401001</a>	Complete coupling	25+ 26	1
23	<a href="#">22401002</a>	Complete shaft long	24+25+26	1
23	<a href="#">22401003</a>	Complete shaft super long	24+25+26	1
24	<a href="#">22415001</a>	Shaft long typ		1
24	<a href="#">22415002</a>	Shaft super long		1
25	<a href="#">22417002</a>	Coupling female		1
26	<a href="#">22417001</a>	Coupling male		1
-	<a href="#">18533007</a>	Fixing part for hoist covers		1
=	<a href="#">NC MMV2</a>	Micro-speed motor	0,75Kw - 220/380V	1
=	<a href="#">NC MMV4</a>	Micro-speed motor	0,75Kw - 415V	1

## 2) NHT trolley 2/1-4/1 - Position of returne pulley fixed point with or without load limiter

Hauteur Perdue Normale / Normal Headroom Trolley

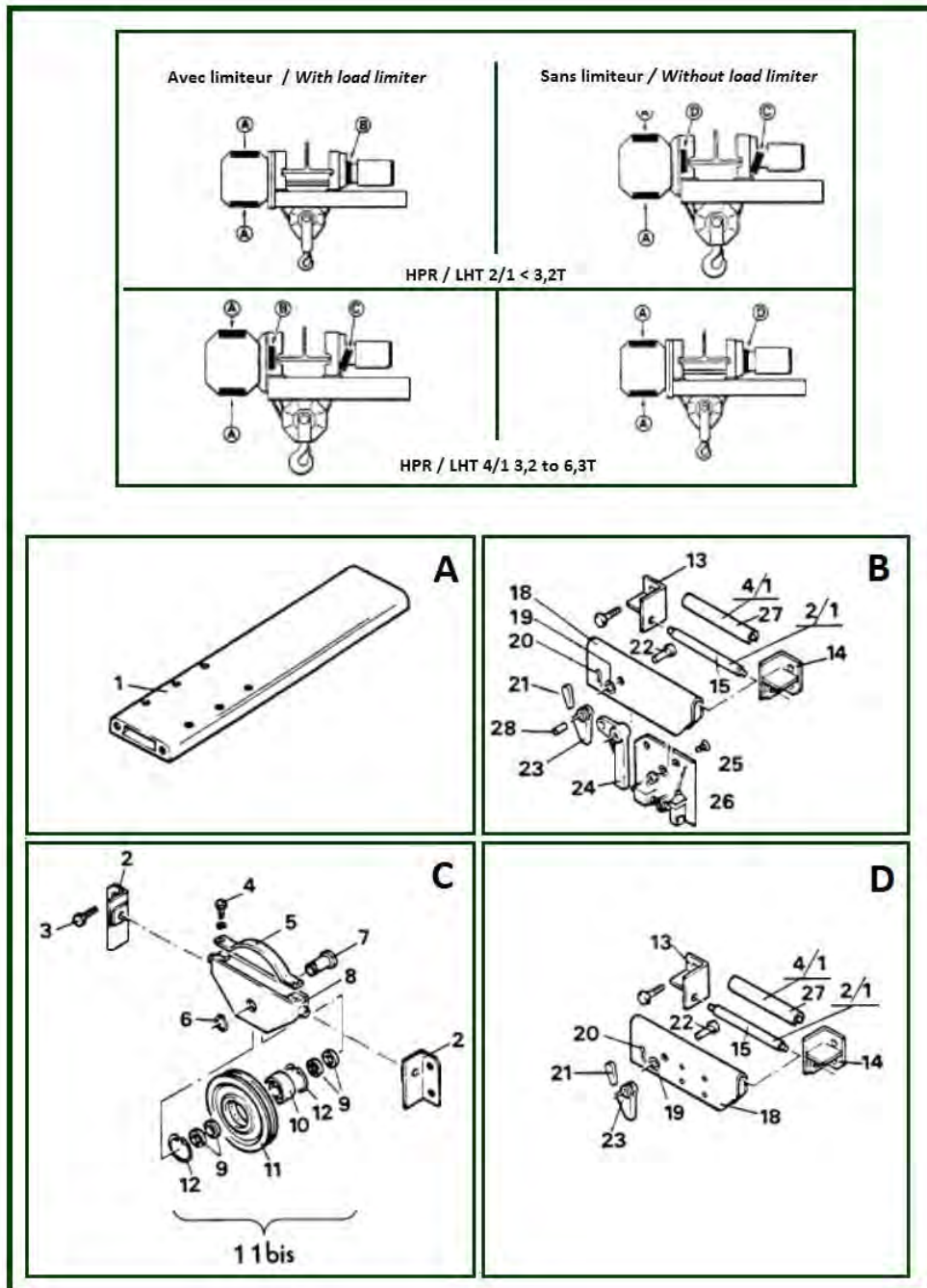


item	reference	description	observation	Quantity
1	<a href="#">21133001</a>	Frame side-plate type Alu. - Lg 444	Normal - 2/1	1
1	<a href="#">21133002</a>	Frame side-plate type Alu. - Lg 662	Long - 2/1	1
1	<a href="#">21133003</a>	Frame side-plate type Alu. - Lg 879	Super long 2/1	1
2	<a href="#">21124002</a>	Framing screed	Long - 2/1	1
2	<a href="#">21124001</a>	Framing screed	Normal - 2/1	1
2	<a href="#">21124003</a>	Framing screed	Super long 2/1	1
3	<a href="#">21124005</a>	Framing screed	Long 4/1 - 6,3T	1
3	<a href="#">21124006</a>	Framing screed	Super long 4/1 6,3T	1
4	<a href="#">21224002</a>	Fixed framing screed	Long/Super Long 2/1 < 3,2T – Long 4/1 < 5T	1
4	<a href="#">21224003</a>	Fixed framing screed	Long/Super Long 4/1 - 5T et 6,3T	1
4	<a href="#">21224001</a>	Fixed framing screed	Normal 2/1 < 3,2T – N 4/1 < 5T	1
5	<a href="#">21216002</a>	Fixed point axle	Long/Super Long 2/1 – Long 4/1 < 5T	1
5	<a href="#">21216009</a>	Fixed point axle	Long/Super Long 4/1 < 5T & Long/Super Long 4/1 - 5 & 6,3T	1
5	<a href="#">21216001</a>	Fixed point axle	Normal/Long 2/1 - Normal 4/1 < 5T	1
6	<a href="#">5251411F</a>	Fixed point axle	D & DA - Ø 11 mm	1
7	<a href="#">21233002</a>	Supporting plate NHT	Long 6,3T - Super Long 5T	1
7	<a href="#">21233001</a>	Supporting plate NHT	Long / Super Long 2/1 5T	1
8	<a href="#">7271405B</a>	Split pins	Câble / Rope Ø 11 mm	1
9	<a href="#">7231162J</a>	Plate washer	Câble / Rope Ø 11 mm	1
10	<a href="#">8536225F</a>	Rope attachment	D & DA - Ø 11 mm	1
11	<a href="#">8536125X</a>	Rope wedge	Câble / Rope Ø 11 mm - D & DA	1
12	<a href="#">5251431C</a>	Rope attachment axle N-L		1
13	<a href="#">5251432D</a>	Right-angled lever N-L	D & DA - Ø 11 mm	1
14	<a href="#">21901003</a>	Load limiter mechanism plate	HPN/HPR - 14+15	1
15	<a href="#">7545111H</a>	Load limiter electrical contact	Avant fin/Before end 1991	1
15	<a href="#">7545112J</a>	Switch	Avant fin/Before end 1991	1
F	<a href="#">21301004</a>	Equipped return	HPN/HPR	1



### 3) LHT trolley 2/1-4/1 - Position of return pulley and fixed point with or without load limiter

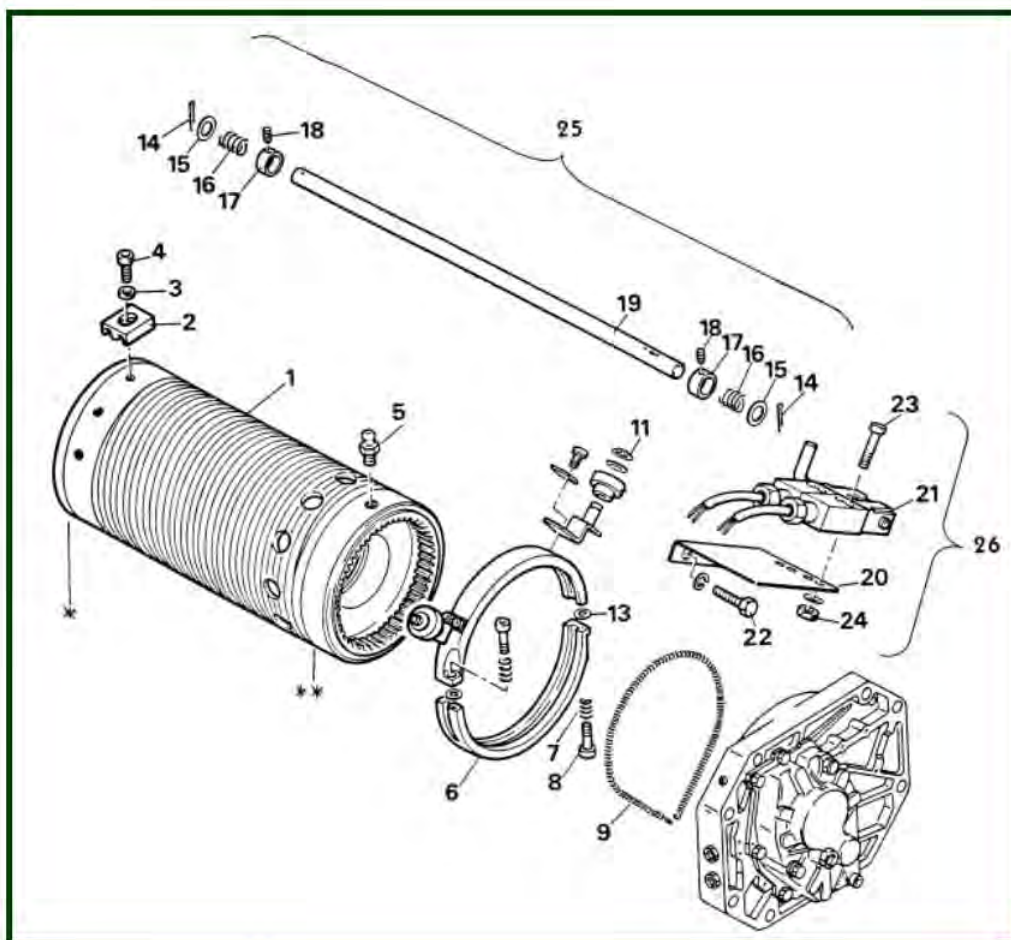
Hauteur Perdue Réduite / Low Headroom Trolley



item	reference	description	observation	Quantity
1	<a href="#">21133001</a>	Frame side-plate type Alu. - Lg 444	Normal - 2/1	2
1	<a href="#">21133002</a>	Frame side-plate type Alu. - Lg 662	Long - 2/1	2
1	<a href="#">21133003</a>	Frame side-plate type Alu. - Lg 879	Super long 2/1	2
2	<a href="#">21333002</a>	Right-angle support		2
3	<a href="#">7211908F</a>	Screw for crosshead	2/1 & 4/1 < 5 T	4
4	<a href="#">7211453L</a>	Screw HM 8x16		2
5	<a href="#">21333001</a>	Hoop-piece		1
6	<a href="#">7262040X</a>	Exterior circlip		1
7	<a href="#">21316001</a>	Pulley axle		1
8	<a href="#">21324001</a>	Return pulley yoke		1
8bis	<a href="#">21301004</a>	Equipped return	HPN/HPR	1
9	<a href="#">23417002</a>	Spacer collar		4

10	<u>7413082Y</u>	Bearing	VP11 - VS304	1
11	<u>23412001</u>	Pulley		1
11bis	<u>21303002</u>	Return equipped pulley	HPN/HPR	1
12	<u>7261090Q</u>	Interior circlip		2
13	<u>21233004</u>	Left-hand support		1
14	<u>21233003</u>	Right-hand support		1
15	<u>21216003</u>	Fixed point spacer		1
18	<u>21224004</u>	Fixed framing screed	2/1	1
18	<u>21224005</u>	Fixed framing screed	4/1	1
19	<u>7231162J</u>	Plate washer	Câble / Rope Ø 11 mm	1
20	<u>831656</u>	Split pin		1
21	<u>8536125X</u>	Rope wedge	Câble / Rope Ø 11 mm - D & DA	1
22	<u>5251411F</u>	Fixed point axle	D & DA - Ø 11 mm	1
23	<u>8536225F</u>	Rope attachment	D & DA - Ø 11 mm	1
24	<u>5251432D</u>	Right-angled lever N-L	D & DA - Ø 11 mm	1
25	<u>21901003</u>	Load limiter mechanism plate	HPN/HPR - 14+15	1
26	<u>7545111H</u>	Load limiter electrical contact	Avant fin/Before end 1991	1
27	<u>21215001</u>	Nylon supporting sleeve	42739	1
28	<u>5251431C</u>	Rope attachment axle N-L		1
-	<u>7545112J</u>	Switch	Avant fin/Before end 1991	1

#### 4) Drum - Rope Guide - Limit switch - Rope



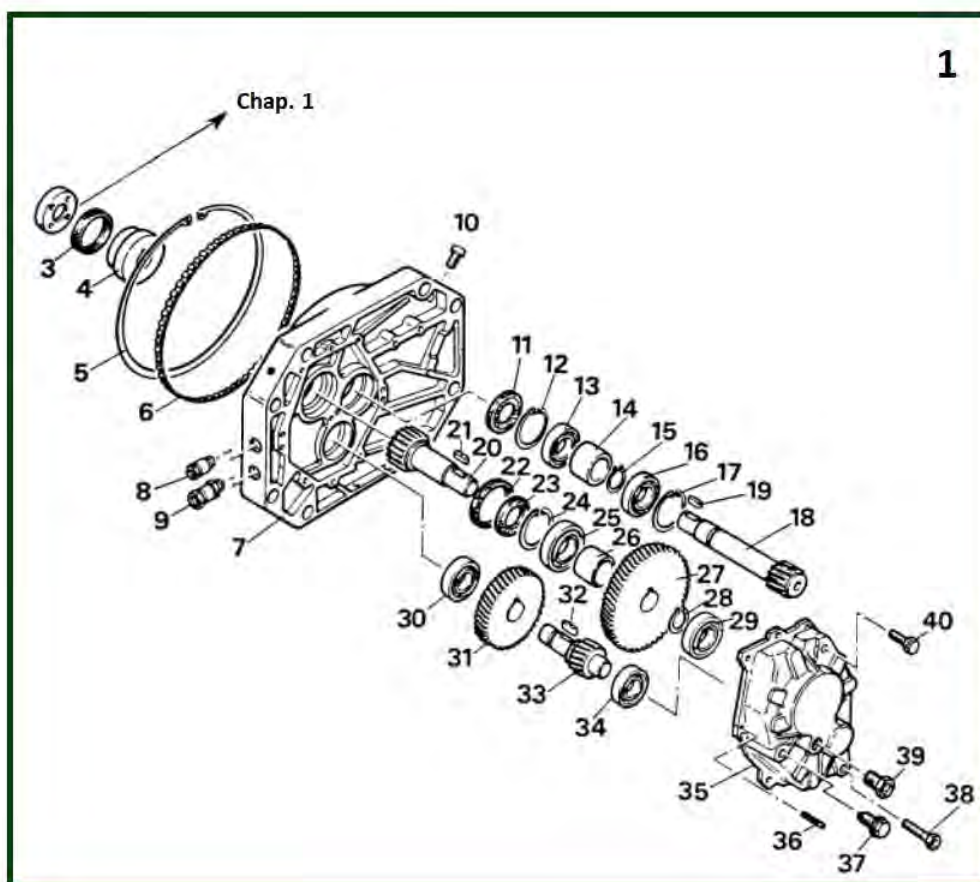
item	reference	description	observation	Quantity
1	<a href="#">22135002</a>	Complete drum - 10mm	Droite/Right - Long - Lg 658 mm	1
1	<a href="#">22135001</a>	Complete drum - 10mm	Droite/Right - Normal - Lg 440mm	1
1	<a href="#">22135003</a>	Complete drum - 10mm	Droite/Right - Super Long - Lg 875mm	1
1	<a href="#">22135008</a>	Drum	Long - 2 filets pas de 9	1
1	<a href="#">22135007</a>	Drum	Normal - 2 filets pas de 9	1
1	<a href="#">22135009</a>	Drum	Super Long - 2 filets pas de 9	1
2	<a href="#">12133001</a>	Rope anchor on drum	VS2-VS4	3
3	<a href="#">7232100D</a>	Narrow Grower washer -10mm	DIN12	3
4	<a href="#">7215504Q</a>	CHC screw	M10X20 ZN DIN912	1
5	<a href="#">7491284A</a>	Lubrificator nipple		1
6	<a href="#">22301003</a>	Complete rope guide - 8mm	Pas de 9 - Droite/Right	1
6	<a href="#">22301004</a>	Complete rope guide - 8mm	Pas de 9 - Gauche/left	1
6	<a href="#">22301001</a>	Complete rope guide - 10mm	Pas de 11,3 - Droite/Right	1
6	<a href="#">22301002</a>	Complete rope guide - 10mm	Pas de 11,3 - Gauche/Left	1
7	<a href="#">12332001</a>	Pressure spring	VS1-VS2	2
8	<a href="#">7215309C</a>	Screw for pressure spring	CHC M6X44	2
9	<a href="#">22332002</a>	Pressure ring spring		1
11	<a href="#">22301010</a>	Complete rope guide	-	4
21	<a href="#">12503001</a>	Limit switch without support		1
25	<a href="#">7541412N</a>	Limit switch contact - Top		1
25	<a href="#">22503002</a>	Limit switch operating rod assembly	Long - Lg 802mm - 14+15+16+17+18+19	1
25	<a href="#">22503001</a>	Limit switch operating rod assembly	Normal - Lg 587mm - 14+15+16+17+18+19	1
25	<a href="#">22503003</a>	Limit switch operating rod assembly	Super Long - Lg 1017mm - 14+15+16+17+18+19	1
26	<a href="#">12502002</a>	Limit switch contact assembly+support	20-21-22-23-24	1
	<a href="#">22133003</a>	Drump thrust gear		1
	<a href="#">22133002</a>	Drump thrust motor		1
	<a href="#">7312136D</a>	No rotating steel wire rope - ø 10	Le mètre	1
	<a href="#">7322035J</a>	Preformed steel wire rope - ø 10,5	Le mètre	1
	<a href="#">7333100L</a>	Rope clip - ø 10		1



## 4.1) Precut rope

<b>item</b>	<b>reference</b>	<b>description</b>	<b>observation</b>	<b>Quantity</b>
	<u>22201001</u>	No rotating wire rope - ø 10,5	Lg 20,5m - Normal - 1/1	1
	<u>22201004</u>	No rotating wire rope - ø 10,5	Lg 21,5m - Normal - 2/1	1
	<u>22201002</u>	No rotating wire rope - ø 10,5	Lg 36,5m - Long - 1/1	1
	<u>22201005</u>	No rotating wire rope - ø 10,5	Lg 37,5m - Long - 2/1	1
	<u>22201003</u>	No rotating wire rope - ø 10,5	Lg 52,5m - Super Long - 1/1	1
	<u>22201006</u>	No rotating wire rope - ø 10,5	Lg 53,5m - Super Long - 2/1	1
	<u>53060106</u>	Preformed steel wire rope - ø 10,5	Lg 6,5m - 8X19-B-RHO-98.50	1
	<u>22201007</u>	Preformed steel wire rope - ø 10,5	Lg 23m - Normal - 4/1	1
	<u>22201008</u>	Preformed steel wire rope - ø 10,5	Lg 39m - Long - 4/1	1
	<u>22201009</u>	Preformed steel wire rope - ø 10,5	Lg 55m - Super Long - 4/1	1

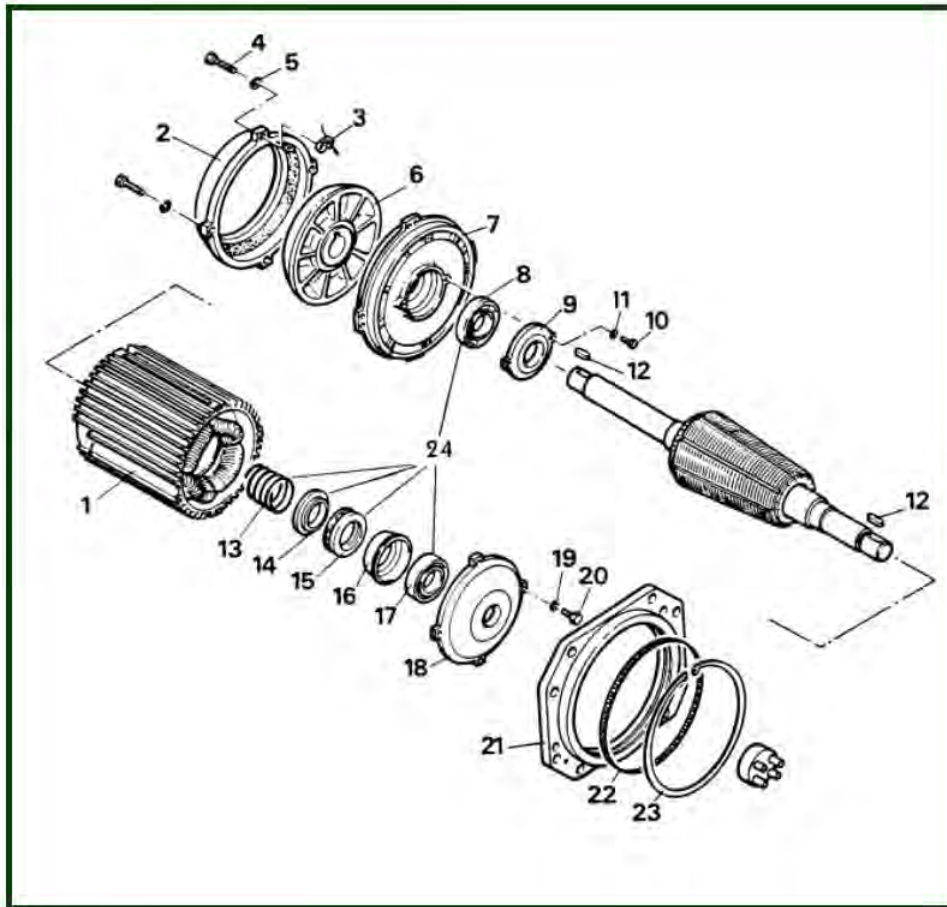
## 5) Hoist gearbox



item	reference	description	observation	Quantity
1	<a href="#">24001002</a>	Complete hoist gearbox	16m/mn	1
1	<a href="#">24001001</a>	Complete hoist gearbox	20m/mn	1
3	<a href="#">1431</a>	Seal V80	V80S	1
4	<a href="#">24017003</a>	Collar		1
5	<a href="#">21117001</a>	Interior circlip		1
6	<a href="#">21111001</a>	Bearing		1
7	<a href="#">21125001</a>	Gearbox end-plate		1
8	<a href="#">7643121R</a>	Gland		1
9	<a href="#">7641121S</a>	Gland 21	Câble rond	1
10	<a href="#">NC GRA</a>	Lubricating nipple		1
11	<a href="#">1432</a>	Seal	DIN 3760 25X52X7	1
12 & 17	<a href="#">7261052Y</a>	Internal circlip	Ø 52	1
13	<a href="#">7412050B</a>	Bearing	A, B, D, E	1
15	<a href="#">7262025F</a>	Exterior circlip	Ø 25	1
16	<a href="#">7425050G</a>	Bearing		1
18	<a href="#">24020001</a>	Pinion axle -14 teeth		1
19	<a href="#">7282064N</a>	Key		1
20	<a href="#">24020005</a>	Pinion axle - 18 teeth		1
21	<a href="#">7282102D</a>	Key		1
22	<a href="#">1422</a>	Seal	65X80X8	1
23	<a href="#">24017002</a>	Spacer collar		1
24	<a href="#">7261080D</a>	Internal circlip - Ø 80		1
25	<a href="#">7425080Q</a>	Bearing		1
26	<a href="#">24017001</a>	Spacer collar		1
27	<a href="#">24019003</a>	Geared wheel 60 teeth	16 or 8 or 4 m/mn	1
27	<a href="#">24019002</a>	Geared wheel 58 teeth	20 or 10 or 5m/mn	1
28	<a href="#">7262040X</a>	Exterior circlip		1
29	<a href="#">7413070K</a>	Bearing		1

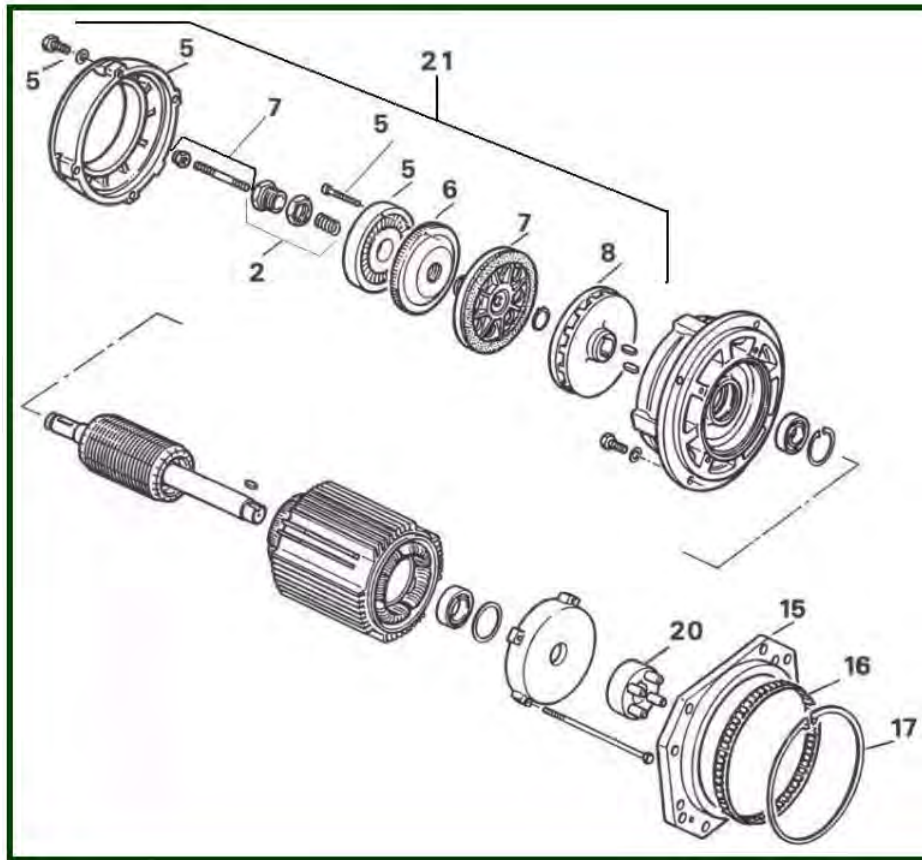
30	<u>7412045W</u>	Bearing		1
31	<u>24019001</u>	Geared wheel - 56 teeth		1
32	<u>7282081F</u>	Key	Jusqu'en déc. 90 / until december 90	1
33	<u>24020003</u>	Pinion axle - 14 teeth	16 or 8 or 4 m/mn	1
33	<u>24020002</u>	Pinion axle - 16 teeth	20 or 10 or 5 m/mn	1
34	<u>7418040N</u>	Bearing		1
35	<u>1402</u>	Cover-plate seal		1
35	<u>24014001</u>	Gearbox cover-plate		1
36	<u>NC GOU</u>	Pin		1
37	<u>7215455L</u>	CHC screw 8 x 25	25 x 25	1
38	<u>NC BM</u>	Magnetized plug		1
39	<u>NC BNH1</u>	Oil-level plug 1/8		1
39	<u>NC BNH3</u>	Oil-level plug 3/8		1
40	<u>NC BV</u>	Breather plug		1

## 6) Hoisting motor



item	reference	description	observation	Quantity
1	<a href="#">28001124</a>	Hoist motor - 1 speed	4,5Kw - 415V	1
1	<a href="#">28001074</a>	Hoist motor - 1 speed	4.5 Kw - 220/380V	1
1	<a href="#">28002014</a>	Hoist motor - 2 speeds	4,5/1,5Kw - 220V	1
1	<a href="#">28002054</a>	Hoist motor - 2 speeds	4,5/1,5 Kw - 380V	1
1	<a href="#">28002124</a>	Hoist motor - 2 speeds	4,5/1,5 Kw - 415V	1
2	<a href="#">28023001</a>	Brake end cap with brake lining		1
3	<a href="#">28023002</a>	Adjustment shims	-	1
4	<a href="#">7211458S</a>	Screw 8 x 40		4
6	<a href="#">28023003</a>	Brake cone	-	1
6	<a href="#">28023004</a>	Brake cone NITROC	-	1
7	<a href="#">28022002</a>	Brake end plate 2 speeds	2 vitesses / 2 speeds	1
7	<a href="#">28022001</a>	Brake end-plate	1 vitesse / 1 speed	1
9	<a href="#">28022003</a>	Bearing	-	1
11	<a href="#">7232060K</a>	Washer M6	Standard	2
12	<a href="#">7282081E</a>	Key	Jusqu'en déc. 90 / until december 90	2
16	<a href="#">28022005</a>	Bearing	-	1
18	<a href="#">28022006</a>	Coupling end-plate	1 vitesse / 1 speed	1
18	<a href="#">28022007</a>	Coupling end-plate	2 vitesses / 2 speeds	1
19	<a href="#">7232080G</a>	GROWER washer - Ø 8		4
20	<a href="#">7211456Q</a>	Screw	-	4
21	<a href="#">21125002</a>	Motor and connecting flange		1
22	<a href="#">21111001</a>	Bearing		1
23	<a href="#">21117001</a>	Interior circlip		1
24	<a href="#">28003001</a>	Repair kit	8+13+14+15+17	1
-	<a href="#">21101001</a>	Motor flange equipped	-	1

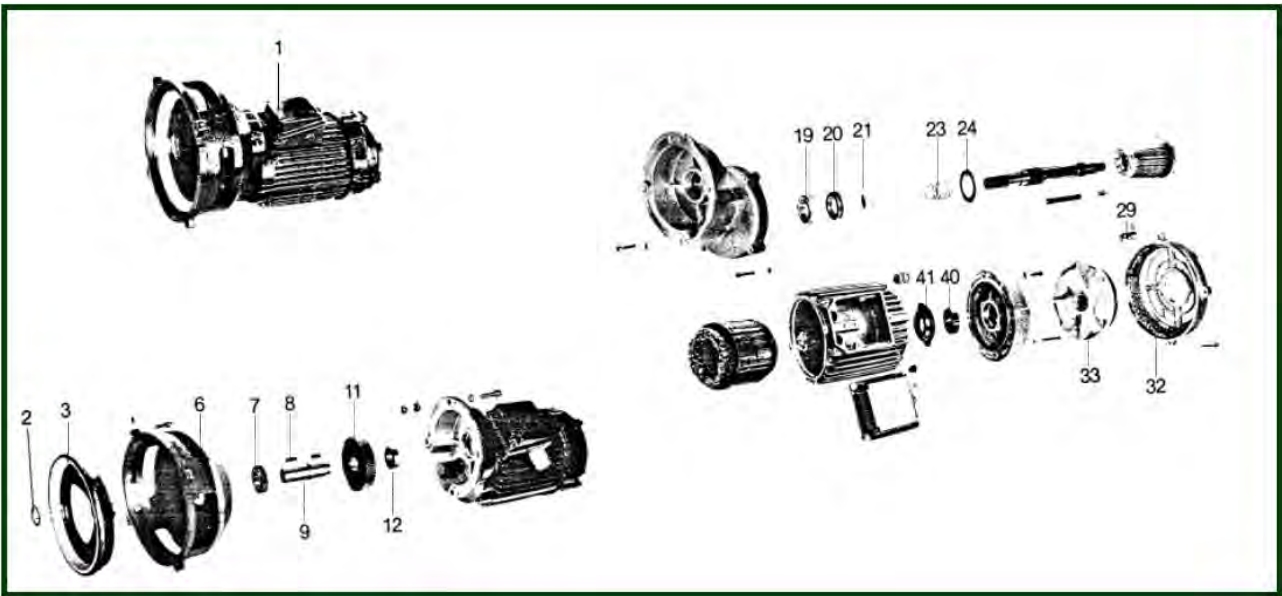
## 6.1) Autre



item	reference	description	observation	Quantity
2	<a href="#">342028223008</a>	Brake torque adjustment set - Brake FCM 112	25+26+28+29	1
5	<a href="#">342028223005</a>	Coil set - Brake FCM 112	9+24+31+32	1
6	<a href="#">342028223004</a>	Frame LS100FCO - Brake FCO	Moteur 3141061500RD	1
7	<a href="#">342028223002</a>	Brake set - Brake FCM 112	12+25+27	1
8	<a href="#">342028223003</a>	Brake disc - Brake FCO	15+17+19	1
15	<a href="#">21125002</a>	Motor and connecting flange		1
16	<a href="#">21111001</a>	Bearing		1
17	<a href="#">21117001</a>	Interior circlip		1
20	<a href="#">342022417001</a>	Male coupling	Monovitesse	1
21	<a href="#">342028203001</a>	Brake complete kit		1
-	<a href="#">34207344241W</a>	Single speed hoist motor	4,5Kw - 220-380-415V - LS100 FCO	1
-	<a href="#">34207346541W</a>	Two speed hoist motor	4,5/1,5Kw - 220-380-415V - LS132 FCO	1
=	<a href="#">342018203002</a>	Complete brake 20V - Brake FCO	9+11+12+15+17+19+21+24+25+26+27+28+29+31+32	1

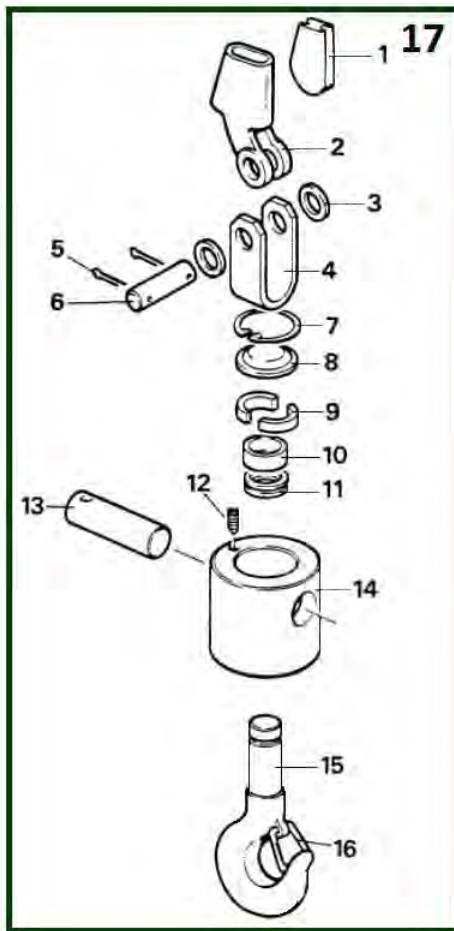


## 7) Micro-speed



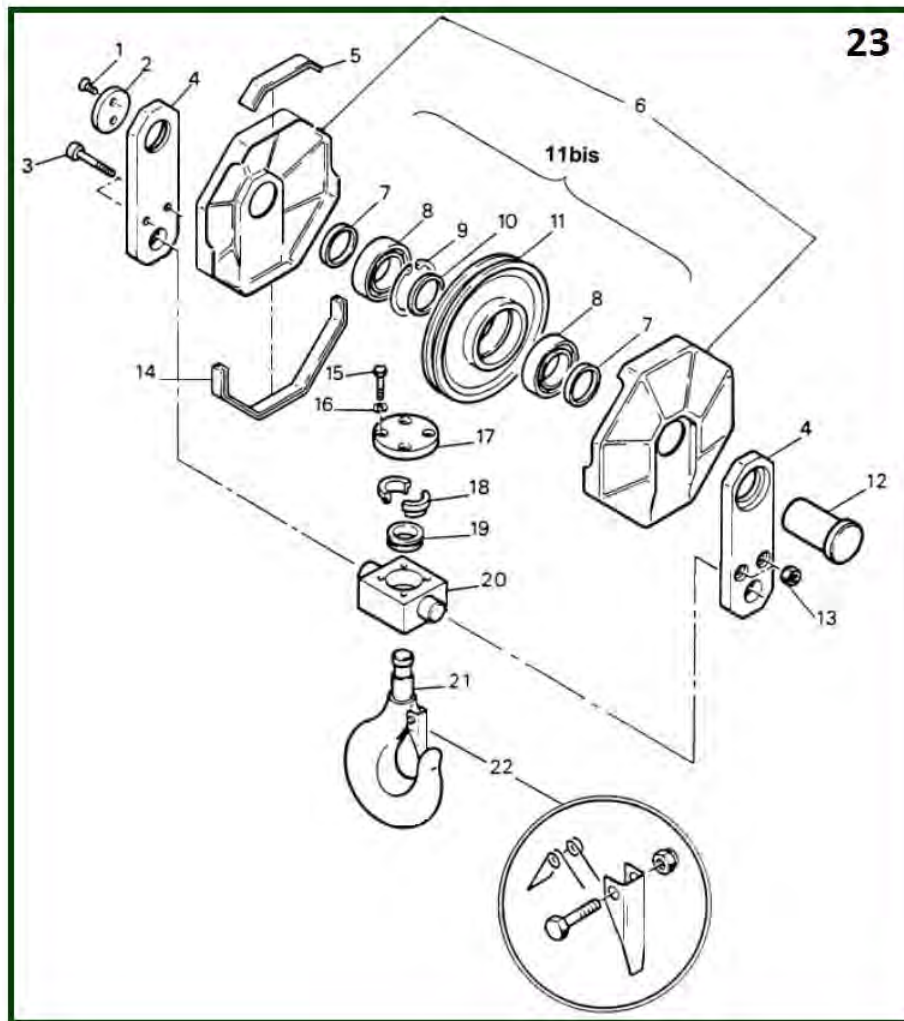
item	reference	description	observation	Quantity
1	<a href="#">28101001</a>	Micro-speed	0,75 Kw - 220/380V	1
1bis	<a href="#">28103070</a>	Motor micro-speed	0,75 Kw - 220/380V	1
1bis	<a href="#">28103120</a>	Motor micro-speed	0,75Kw - 415V	1
2	<a href="#">7262030L</a>	External circlip	Ø 30	1
3	<a href="#">28123001</a>	Pulley brake/clutch		1
6	<a href="#">28114001</a>	Cover		1
7	<a href="#">7412061P</a>	Bearing	C32 - A,B	1
8	<a href="#">7281081U</a>	Key 8 x 7 x 30	Ø 320 - A, B, C	1
9	<a href="#">28120001</a>	Shaft		1
11	<a href="#">28119001</a>	Gear		1
12	<a href="#">7410051D</a>	Bearing	1/77	1
29	<a href="#">28123003</a>	Adjustment shims		1
32	<a href="#">28123002</a>	Brake end cap with brake lining		1
33	<a href="#">28123004</a>	Brake cone		1
	<a href="#">28003002</a>	Repair kit	19+20+21+23+24+40+41	1

## 8) Hook - 1 fall



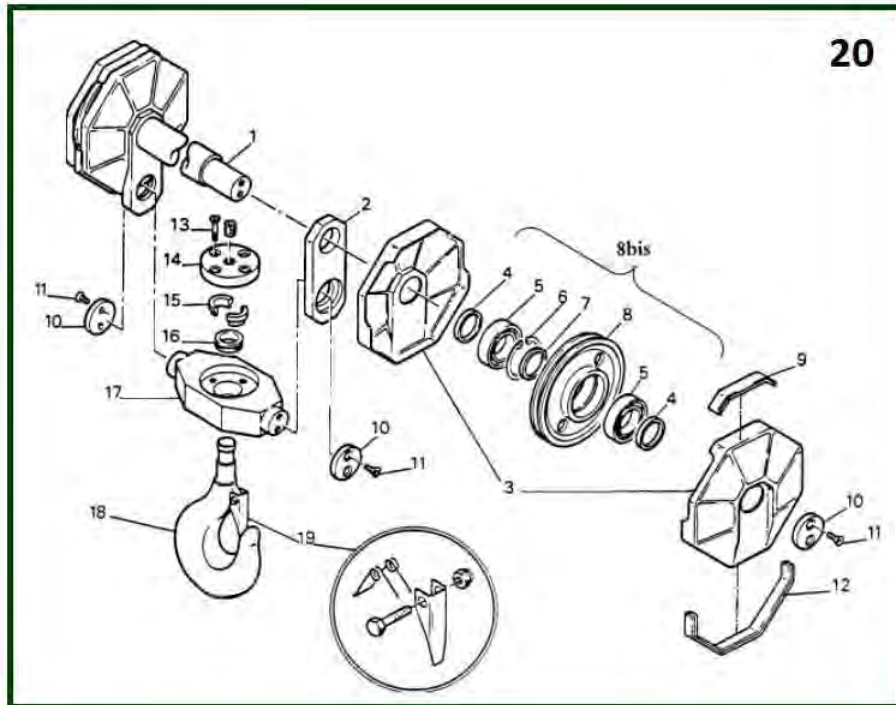
item	reference	description	observation	Quantity
1	<a href="#">8536225F</a>	Rope attachment	D & DA - Ø 11 mm	1
2	<a href="#">8536125X</a>	Rope wedge	Câble / Rope Ø 11 mmm - D & DA	1
3	<a href="#">7231162J</a>	Plate washer	Câble / Rope Ø 11 mm	2
4	<a href="#">5253311W</a>	Stirrup	Câble / Rope Ø 11 mm	1
5	<a href="#">7271405B</a>	Split pins	Câble / Rope Ø 11 mm	2
6	<a href="#">5253312X</a>	Rope attachment axle	Câble / Rope Ø 11 mm	1
7	<a href="#">7261080D</a>	Internal circlip - Ø 80		1
8	<a href="#">5233615N</a>	Cap	Câble / Rope Ø 11 & 12 mm	1
9	<a href="#">5233613K</a>	Half segment ring	Câble / Rope Ø 11 & 12 mm	1
10	<a href="#">5233612J</a>	Cylindrical dish	Câble / Rope Ø 11 & 12 mm	1
11	<a href="#">7431062S</a>	Thrust bearing		1
12	<a href="#">7217434N</a>	Pointed screw	Câble / Rope Ø 11 & 12 mm	1
13	<a href="#">5233302X</a>	Axle	Câble / Rope Ø 11 & 12 mm	1
14	<a href="#">5233301W</a>	Washer	Câble / Rope Ø 11 & 12 mm	1
15	<a href="#">5233610G</a>	Hook with safety catch		1
16	<a href="#">SR32F</a>	Safety catch (wire)	Câble / Rope Ø 11 & 12 mm	1
16	<a href="#">13203003</a>	Safety-latch	Lot de /set of 5 pièces	1
17	<a href="#">3253310G</a>	Hook assembly - 1 fall	Câble / Rope Ø 11 & 12 mm	1

## 9) Hook - 2 falls



item	reference	description	observation	Quantity
1	<a href="#">7216403S</a>	Screw		2
2	<a href="#">13417001</a>	Retaining washer		1
3	<a href="#">7215416U</a>	CHC screw	VS5.....D/E	2
4	<a href="#">23225001</a>	Bottom block support piece		2
6	<a href="#">23203001</a>	Sub assemblies hook cover	9-12	2
11	<a href="#">23412001</a>	Pulley		1
11bis	<a href="#">23203002</a>	Complete Pulley for hook block	4-5-6-7-8	1
12	<a href="#">23216001</a>	Pulley axle		1
13	<a href="#">7221080A</a>	HM nut (8)		2
15	<a href="#">7211354D</a>	Screw HM 6x20	Standard	4
16	<a href="#">7232060K</a>	Washer M6	Standard	4
17	<a href="#">23234001</a>	Bearing cover		1
18	<a href="#">13417004</a>	Two-part collar		1
19	<a href="#">7431052F</a>	Thrust ball bearing		1
20	<a href="#">23231001</a>	Bottom block cross-piece		1
21	<a href="#">13413001</a>	Hook with safety latch		1
22	<a href="#">13233001</a>	Safety latch	Standard	1
22	<a href="#">13203004</a>	Steel safety latch	Lot de 5 - Set of 5	1
23	<a href="#">23201001</a>	Complete bottom block	2 brins / 2 falls	1

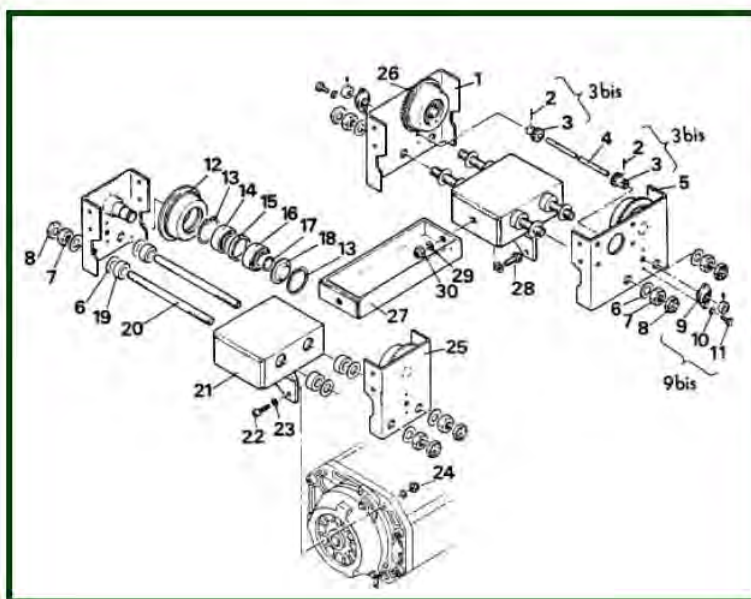
## 10) Hook - 4 falls



item	reference	description	observation	Quantity
1	<a href="#">23416001</a>	Pulley axle		1
2	<a href="#">23425001</a>	Bottom block support piece		2
3	<a href="#">23203001</a>	Sub assemblies hook cover	9-12	2
8	<a href="#">23412001</a>	Pulley		2
8bis	<a href="#">23203002</a>	Complete Pulley for hook block	4-5-6-7-8	1
10	<a href="#">13417001</a>	Retaining washer		4
11	<a href="#">7216403S</a>	Screw		8
13	<a href="#">7216465Y</a>	Screw		4
14	<a href="#">23434001</a>	Bearing cover		1
15	<a href="#">23417003</a>	Two part collar		1
16	<a href="#">7431072C</a>	Thrust bearing		1
17	<a href="#">23431001</a>	Bottom block cross-piece		1
18	<a href="#">23413001</a>	Hook with safety latch		1
19	<a href="#">23233001</a>	Safety catch		1
19	<a href="#">23233003</a>	Safety latch N°1	RSN08	1
20	<a href="#">23401001</a>	Complete bottom block	4 brins / 4 falls	1

# 11) NHT monorail trolley

Hauteur Perdue Normale / Normal Headroom Trolley



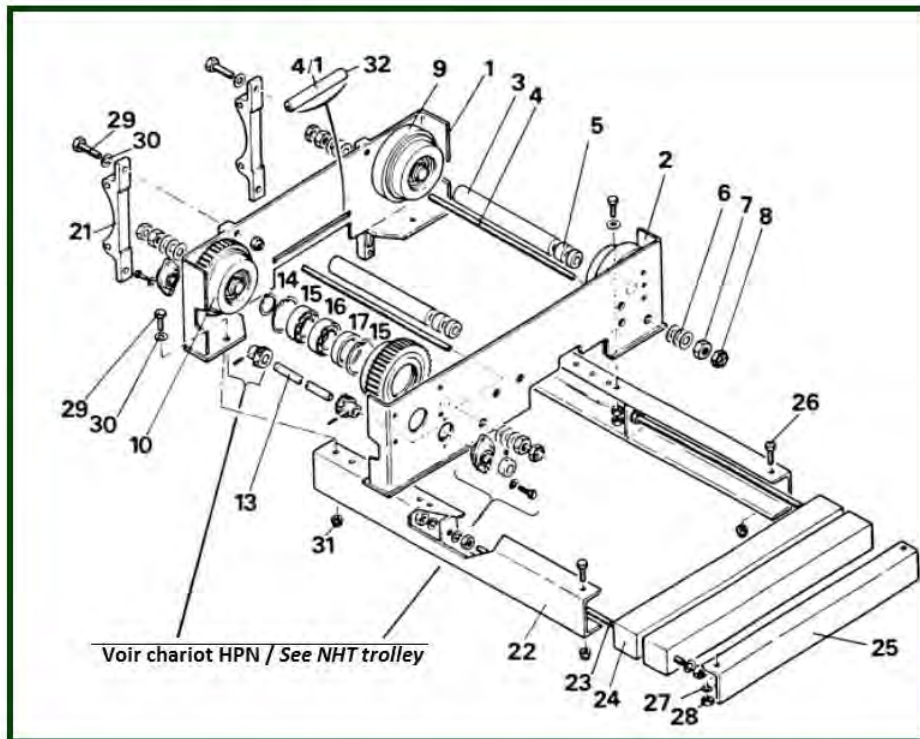
item	reference	description	observation	Quantity
1	<a href="#">3541114N</a>	Ungeared side plate with fittings - Driven runner	Depuis/Since 01/1986	1
3bis	<a href="#">25003001</a>	Set of 2 pinions and pins	2+3	1
4	<a href="#">25015001</a>	Jackshaft	Fer 90 to 150 - Lg 340 mm	1
4	<a href="#">25015002</a>	Jackshaft	Fer 151 to 200 - Lg 390 mm	1
4	<a href="#">25015003</a>	Jackshaft	Fer 201 to 250 - Lg 440 mm	1
4	<a href="#">25015004</a>	Jackshaft	Fer 252 to 300 - Lg 490 mm	1
5	<a href="#">3541313D</a>	Geared side plate with fittings - Left end carriage	Depuis/Since 01/1986	1
6	<a href="#">7153629J</a>	Adjustment washer	Ep. / th 2mm	24
6	<a href="#">7153639V</a>	Adjustment washer	Ep. / th 3 mm	80
7	<a href="#">7221360E</a>	Nut		8
8	<a href="#">7223360D</a>	PAL nut		8
9bis	<a href="#">25003003</a>	Set of 1 shaft bearing with screw and washer	2+3+4+5	1
12	<a href="#">4541111R</a>	Idler runner with fittings without axle		2
13	<a href="#">7261080D</a>	Internal circlip - Ø 80		8
14	<a href="#">7412081K</a>	Bearing		4
15	<a href="#">5441152W</a>	Collar		4
16	<a href="#">7413070K</a>	Bearing		4
17	<a href="#">7262035S</a>	Circlip - Ø 35		4
18	<a href="#">5233615N</a>	Cap	Câble / Rope Ø 11 & 12 mm	4
19	<a href="#">5442116U</a>	Collar	ép. /th. 25mm	8
19	<a href="#">5442117V</a>	Collar	ép. /th. 50mm	8
20	<a href="#">5442102D</a>	Spacer	Lg 370mm	4
20	<a href="#">5452102Y</a>	Spacer	Lg 440mm	4
20	<a href="#">5452106C</a>	Spacer	Lg 540mm	4
21	<a href="#">25031002</a>	Left-hand crosshead adapter	2/1 & 4/1 < 5T	1
21	<a href="#">25031003</a>	Left-hand crosshead adapter	4/1 (5 - 6,3T)	1
21	<a href="#">25031008</a>	Right-hand crosshead adapter	2/1 & 4/1 < 5T	1
21	<a href="#">25031009</a>	Right-hand crosshead adapter	4/1 (5 - 6,3T)	1
22	<a href="#">7211812B</a>	Screw	2/1 & 4/1 < 5T	2
22	<a href="#">7211990V</a>	Screw for crosshead	4/1 (5 - 6,3T)	4
22	<a href="#">7211908F</a>	Screw for crosshead	2/1 & 4/1 < 5 T	2
23	<a href="#">7232161V</a>	Washer	2/1 & 4/1 < 5T	4
23	<a href="#">25031004</a>	Washer	4/1 (5 et 6,3T)	4
24	<a href="#">7227160J</a>	NYLSTOP nut	2/1 & 4/1 < 5T	4
24	<a href="#">7227300L</a>	NYLSTOP nut	4/1 (5-6,3T)	4
25	<a href="#">3541113L</a>	Ungeared side plate with fittings	Depuis/Since 01/1986	2
26	<a href="#">5441351V</a>	Geared wheel only		1



26	<u>4541311H</u>	Geared wheel with fittings without axle		2
27	<u>25031006</u>	Intermediate crosshead	Long	1
27	<u>25031005</u>	Intermediate crosshead	Normal	1
27	<u>25031007</u>	Intermediate crosshead	Super Long	1
28	<u>7211806V</u>	Screw - HM 16 x 30		2
29	<u>7232160U</u>	Washer		2
30	<u>7221160N</u>	Nut		2
-	<u>25002070</u>	Shaft set	Lg 45 mm	1

## 12) LHT trolley

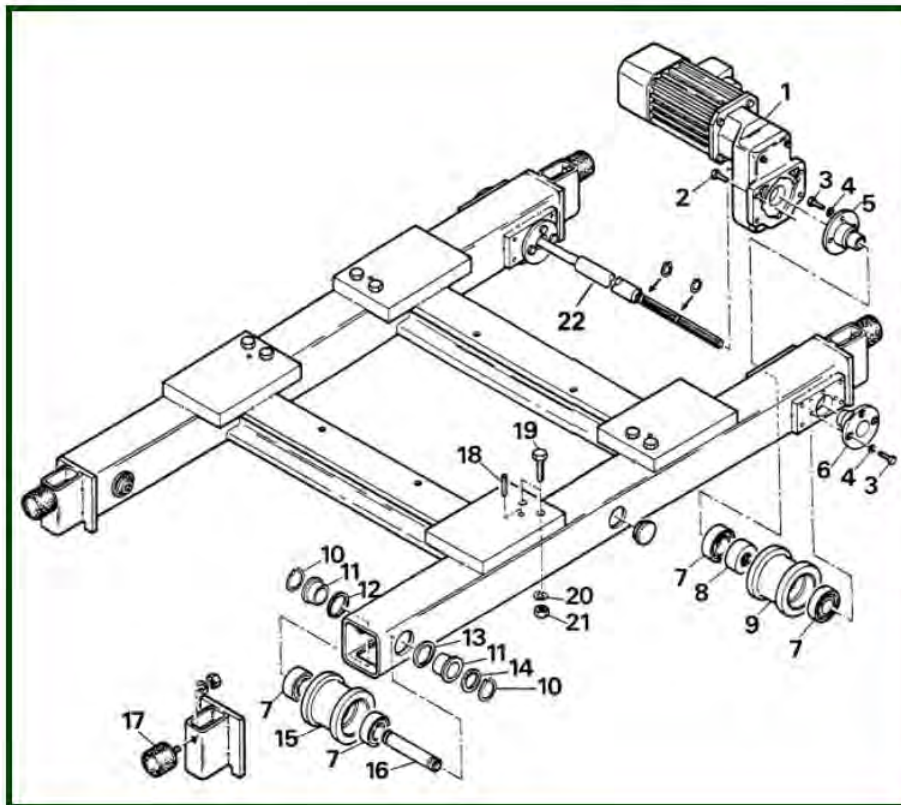
Hauteur Perdue Réduite / Low Headroom Trolley



item	reference	description	observation	Quantity
1	<a href="#">25025003</a>	Idler frame plate with axles	Long	1
1	<a href="#">25025001</a>	Idler frame plate with axles	Normal	1
1	<a href="#">25025005</a>	Idler frame plate with axles	Super Long	1
1	<a href="#">25001001</a>	Idler frame plate with fittings	Normal	1
1	<a href="#">25001005</a>	Idler frame plate with fittings	Super Long	1
1	<a href="#">25001003</a>	Idler rame plate with fittings	Long	1
2	<a href="#">25025004</a>	Driven frame plate with axles	Long	1
2	<a href="#">25025002</a>	Driven frame plate with axles	Normal	1
2	<a href="#">25025006</a>	Driven frame plate with axles	Super Long	1
2	<a href="#">25001004</a>	Driven frame plate with fittings	Long	1
2	<a href="#">25001002</a>	Driven frame plate with fittings	Normal	1
2	<a href="#">25001006</a>	Driven frame plate with fittings	Super Long	1
3	<a href="#">15018007</a>	Spacer tube	Lg 315 mm	1
3	<a href="#">15018004</a>	Tube	160 mm	1
3	<a href="#">15018005</a>	Tube	205 mm	1
4	<a href="#">5432101H</a>	Spacer	Lg 280 - ø 24	1
4	<a href="#">5432102J</a>	Spacer	Lg 375 - ø 24	1
4	<a href="#">5432103K</a>	Spacer	Lg 410 - ø 24	1
4	<a href="#">5432107Q</a>	Spacer	Lg 500 - ø 24	1
5	<a href="#">5432116Z</a>	Spacer collar	ép. / th 26 mm	1
5	<a href="#">5432117A</a>	Spacer collar	ép. / th 49 mm	1
6	<a href="#">7231241V</a>	Adjustment washer	Ep. / Th 3 mm	4
6	<a href="#">7152411K</a>	Washer	1 mm	4
6	<a href="#">7152421W</a>	Washer	2 mm	4
7	<a href="#">7221240Z</a>	Nut		4
8	<a href="#">7223240Y</a>	PAL nut		4
9	<a href="#">4541111R</a>	Idler runner with fittings without axle		2
9	<a href="#">5441151V</a>	Idler runner without fittings with axle	Ø 150 x 186	2
10	<a href="#">4541311H</a>	Geared wheel with fittings without axle		2
10	<a href="#">5441351N</a>	Geared wheel without fittings	Ø 150 x 186 - 60 dents / 60 teeth	2
13	<a href="#">25015001</a>	Jackshaft	Fer 90 to 150 - Lg 340 mm	1
13	<a href="#">25015002</a>	Jackshaft	Fer 151 to 200 - Lg 390 mm	1
13	<a href="#">25015003</a>	Jackshaft	Fer 201 to 250 - Lg 440 mm	1

13	<u>25015004</u>	Jackshaft	Fer 252 to 300 - Lg 490 mm	1
14	<u>7262035S</u>	Circlip - Ø 35		4
15	<u>7261080D</u>	Internal circlip - Ø 80		8
16	<u>7413070K</u>	Bearing		4
16	<u>7412081K</u>	Bearing		4
17	<u>5441152W</u>	Collar		4
21	<u>21433002</u>	Fixing lug		2
22	<u>25031010</u>	Set of girder		1
23	<u>25018001</u>	Counterweight locking bar		2
24	<u>21533002</u>	Counterweight	Long	2
24	<u>21533001</u>	Counterweight	Normal	2
24	<u>21533003</u>	Counterweight	Super Long	2
25	<u>25031012</u>	Girder cross	Long	1
25	<u>25031011</u>	Girder cross	Normal	1
25	<u>25031013</u>	Girder cross	Super Long	1
26	<u>7211812B</u>	Screw	2/1 & 4/1 < 5T	4
27	<u>7232160U</u>	Washer		4
28	<u>7221160N</u>	Nut		4
29	<u>7211916Q</u>	Screw		4
30	<u>7232200N</u>	Washer		4
31	<u>7227200C</u>	NYLSTOP nut		4
32	<u>21215001</u>	Nylon supporting sleeve	42739	2
	<u>25002071</u>	Shaft set	Lg 62 mm	1

### 13) Crab frame with carriages VP09 2&4 brins<5T

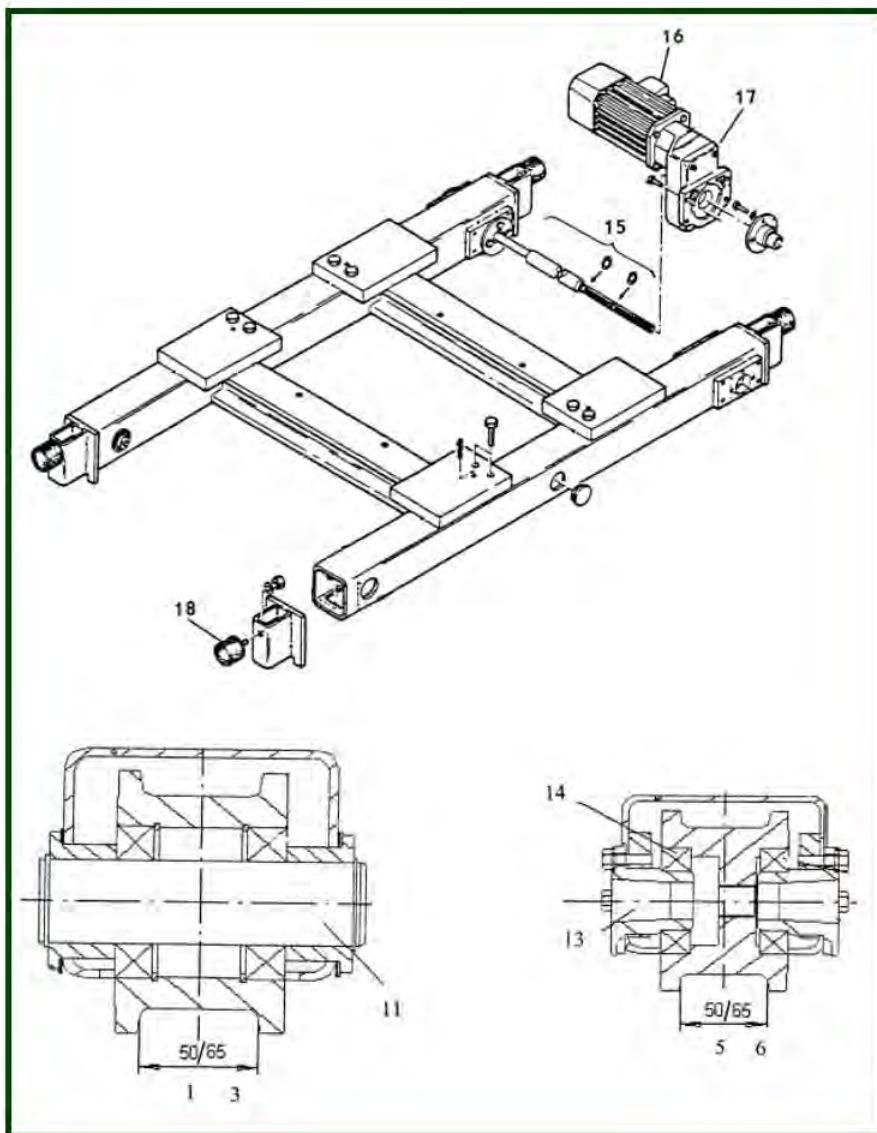


item	reference	description	observation	Quantity
1	<a href="#">25580023</a>	Motor drive	220V - 16/4 m/mn	1
1	<a href="#">25580021</a>	Motor drive	220V - 20/5 m/mn	1
1	<a href="#">25580022</a>	Motor drive	220V - 25/6 m/mn	1
1	<a href="#">25580003</a>	Motor drive	380V - 16/4 m/mn	1
1	<a href="#">25580001</a>	Motor drive	380V - 20/5 m/mn	1
1	<a href="#">25580002</a>	Motor drive	380V - 25/6 m/mn	1
1	<a href="#">25580004</a>	Motor drive	380V - 32/8 m/mn	1
1	<a href="#">25800043</a>	Motor drive	415V - 16/4 m/mn	1
1	<a href="#">25580041</a>	Motor drive	415V - 20/5 m/mn	1
1	<a href="#">25580042</a>	Motor drive	415V - 25/6 m/mn	1
1	<a href="#">25580044</a>	Motor drive	415V - 32/8 m/mn	1
2	<a href="#">7215555V</a>	BTR screw 10 x 25		4
3	<a href="#">7211556Y</a>	Screw		12
4	<a href="#">7231102U</a>	Washer		12
5	<a href="#">15511002</a>	Bearing housing nearest motor		2
6	<a href="#">15511003</a>	Bearing housing furthest from motor		2
7	<a href="#">7412072A</a>	Complete bearing	VP9-VS302	8
8	<a href="#">15517001</a>	Inner fluted collar		2
9	<a href="#">15503001</a>	Driving wheel set - ø 90 - G50	VS302..F - VS402 A partir / Since 1999	2
9	<a href="#">15503005</a>	Driving wheel set - ø 90 - G65	VS302..F - VS402 A partir / Since 1999	2
10	<a href="#">7262035S</a>	Circlip - Ø 35		4
11	<a href="#">15517002</a>	Stepped collar		4
12	<a href="#">7235959Y</a>	Washer		4
13	<a href="#">7235919E</a>	Washer		4
14	<a href="#">7235759F</a>	Washer		4
15	<a href="#">15503006</a>	Travel wheel set ø 90 - G65	VS202/VP9 - VS302..F - VS402 A partir / Since 1999	2
15	<a href="#">15503003</a>	Travel wheel set - ø 90 - G50	VS202/VP9 - VS302..F - VS402 A partir / Since 1999	2
16	<a href="#">15515001</a>	Travel wheel idler axle		2
17	<a href="#">7910802Y</a>	Rubber buffer	Ø 80	4
18	<a href="#">7273558S</a>	Pin		4
19	<a href="#">7211812B</a>	Screw	2/1 & 4/1 < 5T	8

20	<u>7232160U</u>	Washer		8
21	<u>7221160N</u>	Nut		8
22	<u>15520001</u>	Drive shaft	0.9m	1
22	<u>15520002</u>	Drive shaft	1.4m	1
22	<u>15520003</u>	Drive shaft	2m	1
22	<u>15520006</u>	Drive shaft - Exterior motor	2m	1
-	<u>15503002</u>	Bearling-flange set	VP9-VS302	1



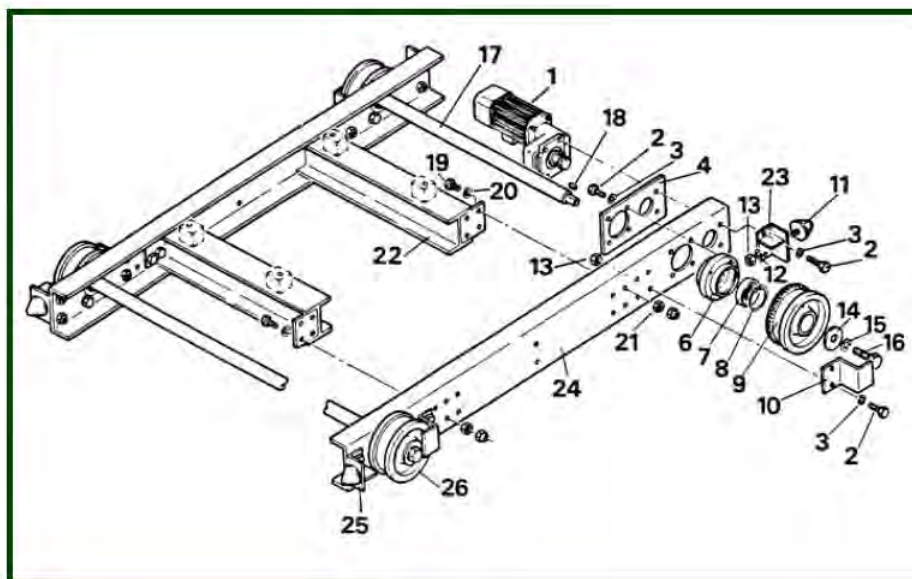
## 14) Crab frame - 4 falls - 6,3 T



item	reference	description	observation	Quantity
1	<a href="#">25803003</a>	Travel wheel set - ø 140 - G50	VS404 / VP14 VS502 VS504 < 16T	1
3	<a href="#">25803006</a>	Travel wheel set - ø 140 - G65	VS404 / VP14 VS502 VS504 < 16T	1
5	<a href="#">25803001</a>	Driving wheel set - ø 140 - G50	VS404 / VP14 - VS502 VS504 < 16T	1
6	<a href="#">25803005</a>	Driving wheel set - ø 140 - G65	VS404 / VP14 - VS502 VS504 < 16T	1
11	<a href="#">25803007</a>	Shaft travel wheel	VP14 - VS404 - VS502 - VS504 < 16T	1
13	<a href="#">25803002</a>	Bearing flange set	VP14 - VS404 - VS502 - VS504 < 16T	1
14	<a href="#">7412112U</a>	Bearing compl.	VP14 - VS404 - VS502 - VS504 < 16T	2
15	<a href="#">25501003</a>	Drive shaft	VP14 - 0,9 m	1
15	<a href="#">25501005</a>	Drive shaft	VP14 - 1,4 m	1
15	<a href="#">25501004</a>	Drive shaft	VP14 - 1 m	1
15	<a href="#">25501007</a>	Drive shaft	VP14 - 2,4 m	1
15	<a href="#">25501006</a>	Drive shaft	VP14 - 2 m	1
16	<a href="#">25809303</a>	Travelling motor	MF07LB104+PTC-3000-750t/mn-380V/50Hz - 0.45/0.11kw avec sondes - Prise Wieland avant avril 1999 / Wieland plug before april 1999	1
16	<a href="#">25518202</a>	Travelling motor	MF07ZB206-1500-500t/mn-220V/50Hz-0.37/0.10kw - Prise Wieland avant avril 1999 / Wieland plug before april 1999	1
16	<a href="#">25518204</a>	Travelling motor	MF07ZB206-1500-500t/mn-415V/50Hz-0.37/0.10kw - Prise Wieland avant avril 1999 / Wieland plug before april 1999	1
16	<a href="#">25518203</a>	Travelling motor	MF07ZB206-1500-500t/mn-380 400V/50Hz-0.37/0.10kw - Prise Wieland avant avril 1999 / Wieland plug before april 1999	1
16	<a href="#">25808302</a>	Travelling motor MF07LB104 3000-750t/mn-220V/50Hz - 0.45/0.11Kw	Prise Wieland avant avril 1999 Wieland plug before april 1999 GS332RPC : VS306 - GS315RPC : VS306 6,3T	1

16	<u>25808303</u>	Travelling motor MF07LB104 3000-750t/mn-380-400V/50Hz - 0.45/0.11KW	Prise Wieland avant avril 1999 Wieland plug before april 1999 GS332RPC : VS306 - GS315RPC : VS306 6,3T	1
16	<u>25808304</u>	Travelling motor MF07LB104 3000-750t/mn-415V/50Hz - 0.45/0.11KW	Prise Wieland avant avril 1999 Wieland plug before april 1999 GS332RPC : VS306 - GS315RPC : VS306 6,3T	1
17	<u>25883030</u>	Gear GS 350 RFB		1
17	<u>25883020</u>	Gear GS 363 RFB		1
18	<u>15503007</u>	Buffer set		4

## 15) Crab frame - 6,3T



item	reference	description	observation	Quantity
1	<a href="#">2548263B</a>	Motor drive 2- 0&5 m/mn	220/380V 50HZ-PA - 11 dents/theeth Bride / Clamp 200	1
1	<a href="#">2548113P</a>	Motor drive - 2,5 m/mn	220/380V 50HZ	1
1	<a href="#">2548123Z</a>	Motor drive - 5 m/mn	220/380V 50HZ	1
1	<a href="#">2548133K</a>	Motor drive - 7,5 m/mn	220/380V 50HZ	1
1	<a href="#">2548243E</a>	Motor drive - 10&2,5 m/mn	220/380V 50HZ	1
1	<a href="#">2548143W</a>	Motor drive - 10 m/mn	220/380V 50HZ-PA - 11 dents/theeth Bride / Clamp 200	1
1	<a href="#">2548253R</a>	Motor drive - 15&3,75m/mn	220/380V 50HZ	1
1	<a href="#">2548153G</a>	Motor drive - 15 m/mn	220/380V 50HZ	1
1	<a href="#">2548163T</a>	Motor drive - 20 m/mn	220/380V 50HZ-PA - 11 dents/theeth Bride / Clamp 140	1
1	<a href="#">2548273N</a>	Motor drive - 30&7,5m/mn	220/380V 50HZ	1
1	<a href="#">2548173D</a>	Motor drive - 30 m/mn	220/380V 50HZ-PA - 11 dents/theeth Bride / Clamp 140	1
2	<a href="#">7211657H</a>	Screw		8
4	<a href="#">5571022J</a>	Positioning-plate for motor drive		1
5-13	<a href="#">7221120U</a>	HM nut 12	D & DA & RD	4
6	<a href="#">5571010W</a>	Bearing housing	Depuis / Since 06 / 83	4
7	<a href="#">7425100L</a>	Bearing		4
8	<a href="#">7261090Q</a>	Interior circlip		4
9	<a href="#">5571351S</a>	Driven runner - Ø200 -76 teeth	Depuis / Since 06 / 83 71 mm	1
10	<a href="#">5571016C</a>	Runner protector		4
11	<a href="#">7910802Y</a>	Rubber buffer	Ø 80	4
12	<a href="#">7232120A</a>	Grower washer (12)	D & DA & RD	4
14	<a href="#">5571012Y</a>	Washer		4
15-21	<a href="#">7232160U</a>	Washer		4
16	<a href="#">7211806V</a>	Screw - HM 16 x 30		4
17	<a href="#">25516001</a>	Runway travel axle	900 mm	2
17	<a href="#">25516002</a>	Runway travel axle	1000 mm	2
17	<a href="#">25516003</a>	Runway travel axle	1400 mm	2
18	<a href="#">7281142K</a>	Key		4
19	<a href="#">7111109S</a>	Bolt		16
20	<a href="#">7231162J</a>	Plate washer	Câble / Rope Ø 11 mm	4
22	<a href="#">25536002</a>	Runway crosshead 900 mm	900mm	2
22	<a href="#">25536003</a>	Runway crosshead 1000 mm	1000 mm	2
22	<a href="#">25536004</a>	Runway crosshead 1400 mm	1400 mm	2
23	<a href="#">5571018E</a>	Buffer support on driven side		1
24	<a href="#">25536001</a>	Girder		2
25	<a href="#">5571020G</a>	Buffer support on idler side		3
26	<a href="#">5571151Z</a>	Idler runner - Ø200	Depuis / Since 06 / 83	3

## 16) Electric equipment

item	reference	description	observation	Quantity
-	<a href="#">7366403C</a>	2 speeds contact element	XENG1191	1
-	<a href="#">7632422L</a>	Box casing with clamp 2 buttons	XAC A02	1
-	<a href="#">7661915U</a>	Bull dog grip SIMPLEX		1
-	<a href="#">7632412A</a>	Buttons with black gummi	XAC A9412	1
-	<a href="#">7632413B</a>	Buttons with red gummi	XAC A9414	1
-	<a href="#">7641109D</a>	Cable gland (9)	Câble rond	1
-	<a href="#">7641111F</a>	Cable gland (11)	Câble rond	1
-	<a href="#">7641113H</a>	Cable gland (13)	Câble rond	1
-	<a href="#">7641116L</a>	Cable gland (16)	Câble rond	1
-	<a href="#">7642029D</a>	Cable gland (21)	1 câble plat 4x2.5 <sup>2</sup>	1
-	<a href="#">7642129N</a>	Cable gland (29)	1 câble plat 4x6 <sup>2</sup>	1
-	<a href="#">7642229W</a>	Cable gland (29)	1 câble plat 8x1.5 <sup>2</sup>	1
-	<a href="#">7642329E</a>	Cable gland (29)	2 câbles plats 4x6 <sup>2</sup>	1
-	<a href="#">7642429P</a>	Cable gland (29)	2 câbles plats 8x1.5 <sup>2</sup>	1
-	<a href="#">7641129A</a>	Cable gland (29)	Câble rond	1
-	<a href="#">7642536E</a>	Cable gland (36)	1 câble plat 4x16 <sup>2</sup>	1
-	<a href="#">7642236D</a>	Cable gland (36)	1 câble plat 12x1.5 <sup>2</sup>	1
-	<a href="#">7641136H</a>	Cable gland (36)	Câble rond	1
-	<a href="#">7642648B</a>	Cable gland (48)	1 câble plat 4x25 <sup>2</sup>	1
-	<a href="#">7648109N</a>	Cap nut (9)		1
-	<a href="#">7648111Q</a>	Cap nut (11)		1
-	<a href="#">7648113S</a>	Cap nut (13)		1
-	<a href="#">7648116V</a>	Cap nut (16)		1
-	<a href="#">7648121A</a>	Cap nut (21)		1
-	<a href="#">7648129J</a>	Cap nut (29)		1
-	<a href="#">7648136S</a>	Cap nut (36)		1
-	<a href="#">7532326L</a>	Contacteur ON-OFF	LC1D253E	1
-	<a href="#">8812052T</a>	Control cable	5x1.5mm <sup>2</sup>	1
-	<a href="#">8812152B</a>	Control cable	16x1,5 mm <sup>2</sup>	1
-	<a href="#">7581715V</a>	Earth MS4/6		1
-	<a href="#">7581719Z</a>	Earth MS6/8P		1
-	<a href="#">7575300X</a>	Fuse 1A		1
-	<a href="#">7576406Z</a>	Fuse 6AM		1
-	<a href="#">7575310H</a>	Fuse 10AM		1
-	<a href="#">7576416K</a>	Fuse 16AM		1
-	<a href="#">7576420Q</a>	Fuse 20AM		1
-	<a href="#">7578061Y</a>	Fuse carrier	GV1M14	1
-	<a href="#">7573751P</a>	Fuse carrier GK1EV		1
-	<a href="#">7573242K</a>	Fuse support	BC31	1
-	<a href="#">7578011U</a>	Fuse support	GB2CD06	1
-	<a href="#">7578021E</a>	Fuse support	GB2CD07	1
-	<a href="#">7641121S</a>	Gland 21	Câble rond	1
-	<a href="#">7581725F</a>	Gland diam :30		1
-	<a href="#">7531021T</a>	Interlocked contactor	LC2D099E	1
-	<a href="#">7531023V</a>	Interlocked contactor	LC2EC09E	1
-	<a href="#">7531122C</a>	Interlocked contactors 400V/48V - LC2D129E	AK1-AK2 - Moteur/Motor P1-P2-P3-N1-N2	1
-	<a href="#">7531325Y</a>	Interlocked contactors 400V/48V - LC2D259E	AK1-AK2 Moteur/Motor P5	1
-	<a href="#">7634431V</a>	Label - Off	ZB2BY2931	1
-	<a href="#">7532220W</a>	Main contactor - 400V/48V - LC1D18E7	Moteur / Motor P2-P3 - O-K1	1
-	<a href="#">26126001</a>	Mouting plate for electric équipement		1
-	<a href="#">7633401A</a>	One step control part low voltage control with 1 « F » contact	ZB2 BE101	1
-	<a href="#">7633402B</a>	One step control part low voltage control with 1 « O » contact	ZB2 BE102	1
-	<a href="#">8812202F</a>	Pendant cable without green / yellow	20x1,5 mm <sup>2</sup>	1
-	<a href="#">7521111W</a>	Rectifier	Frein / Brake 24V	1
-	<a href="#">7535214A</a>	Relay	LT25A30E	1
-	<a href="#">7535414T</a>	Relay FINDER	48V	1

-	<a href="#">7531220J</a>	Reversing contactor - 690V/48V - LC2D18E7	Moteur / Motor P4 - AK1-AK2	1
-	<a href="#">7632401P</a>	Rubber protection cover	XAC A960	1
-	<a href="#">7634416D</a>	Sticker backward	ZB2BY2916	1
-	<a href="#">7634417E</a>	Sticker backward high speed	ZB2BY2917	1
-	<a href="#">7634418F</a>	Sticker backward slow speed-high speed	ZB2BY2918	1
-	<a href="#">7634404R</a>	Sticker down	ZB2BY2904	1
-	<a href="#">7634405S</a>	Sticker down high speed	ZB2BY2905	1
-	<a href="#">7634406T</a>	Sticker down slow speed-high speed	ZB2BY2906	1
-	<a href="#">7634413A</a>	Sticker forward	ZB2BY4913	1
-	<a href="#">7634414B</a>	Sticker forward high speed	ZB2BY4914	1
-	<a href="#">7634415C</a>	Sticker forward slow speed-high speed	ZB2BY4915	1
-	<a href="#">7634410X</a>	Sticker left	ZB2BY2910	1
-	<a href="#">7634411Y</a>	Sticker left high speed	ZB2BY2911	1
-	<a href="#">7634412Z</a>	Sticker left slow and high speed	ZB2BY2912	1
-	<a href="#">7634430U</a>	Sticker ON	ZB2BY4930	1
-	<a href="#">7634435Z</a>	Sticker ON-ALARM	ZB2BY4935	1
-	<a href="#">7634407U</a>	Sticker right	ZB2BY4907	1
-	<a href="#">7634408V</a>	Sticker right high speed	ZB2BY4908	1
-	<a href="#">7634409W</a>	Sticker right slow speed-high speed	ZB2BY4909	1
-	<a href="#">7634401N</a>	Sticker UP	ZB2BY4901	1
-	<a href="#">7634402P</a>	Sticker UP high speed	ZB2BY4902	1
-	<a href="#">7634403Q</a>	Sticker UP slow speed-high speed	ZB2BY4903	1
-	<a href="#">16126002</a>	Support bracket FINDER		1
-	<a href="#">7512332D</a>	Transformer 40VA	380-420-500/48V	1
-	<a href="#">7513032Q</a>	Transformer	220/42-48V (63 VA)	1
-	<a href="#">7532122Q</a>	Two speed selection contactor	LC1D128E	1
-	<a href="#">7532324J</a>	Two speed selection contactor	LC1D258E	1
-	<a href="#">7532021E</a>	Two speed selection contactor	LC1EC08E	1