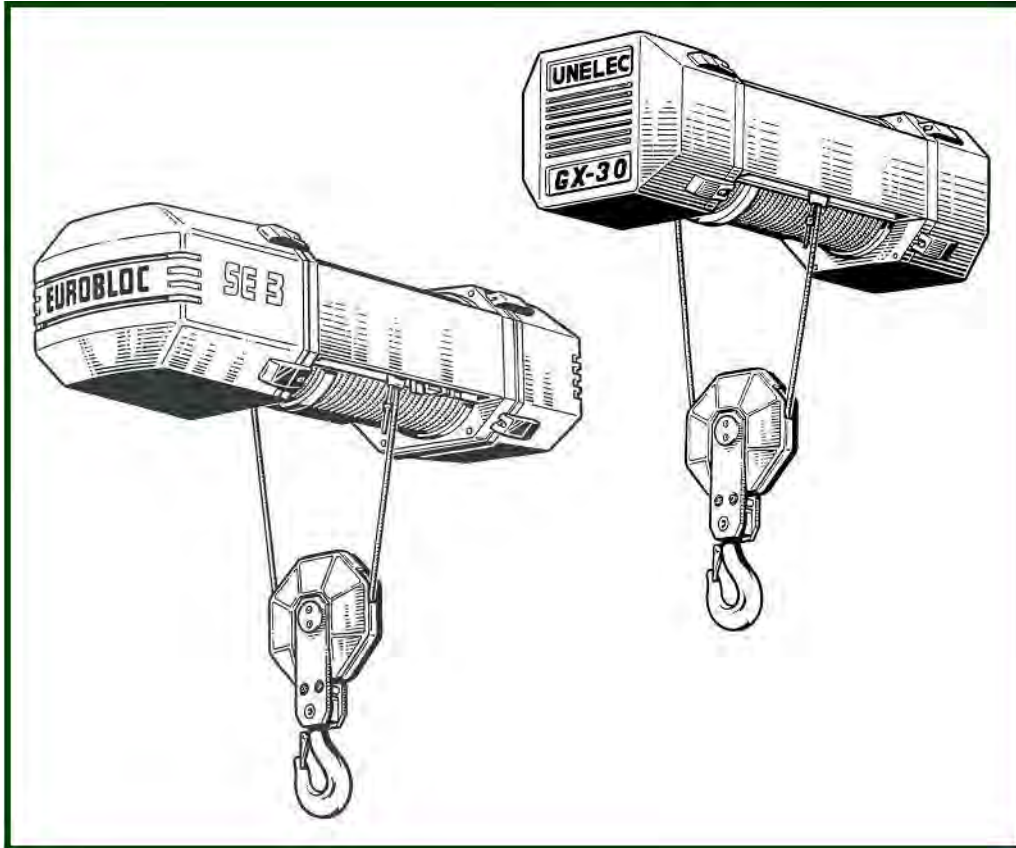


Spare parts catalog for "SE3 - GX30"

To avoid errors, when ordering please specify:

- Complete type of hoist
- Date of manufacture and serial number
- Spare part code
- Spare part designation
- Additional information



1) SUB-ASSEMBLIES

2) HOIST MOTOR

- 2.1) SE Motor
- 2.2) GX Motor

3) MICRO-SPEED

4) DRUM / ROPE

- 4.1) Precut rope

5) ROPE GUIDE / LIMIT SWITCH

6) HPN 2/1 4/1

7) HPN 6/1

8) HPR 2/1 4/1

9) HOISTING GEARBOX

10) HOOK BLOCK - 1 FALL

11) HOOK BLOCK - 2 FALLS

12) HOOK BLOCK - 4 FALLS

13) HOOK BLOCK - 6 FALLS

14) STANDARD HEADROOM MONORAIL TROLLEY 2/1

15) STANDARD HEADROOM MONORAIL TROLLEY 4/1

16) STANDARD HEADROOM MONORAIL TROLLEY 6/1

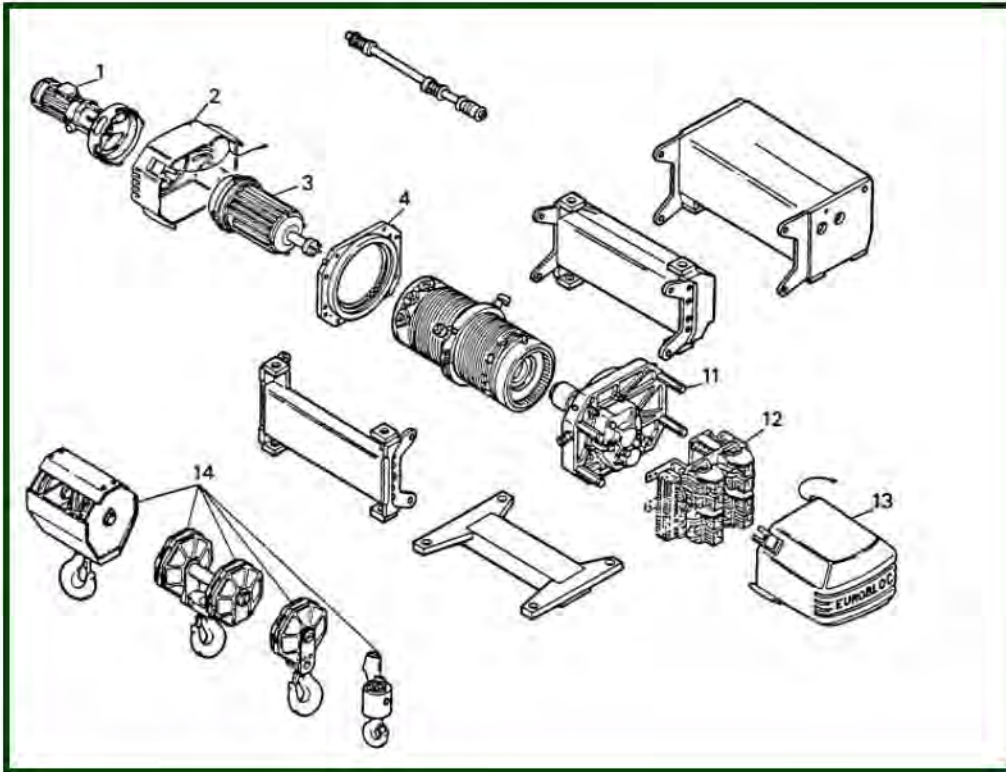
17) REDUCED HEADROOM MONORAIL TROLLEY 2/1-4/1

18) CRAB FRAME SE3 1 AND 2 FALLS

19) CRAB FRAME SE3 4 FALLS

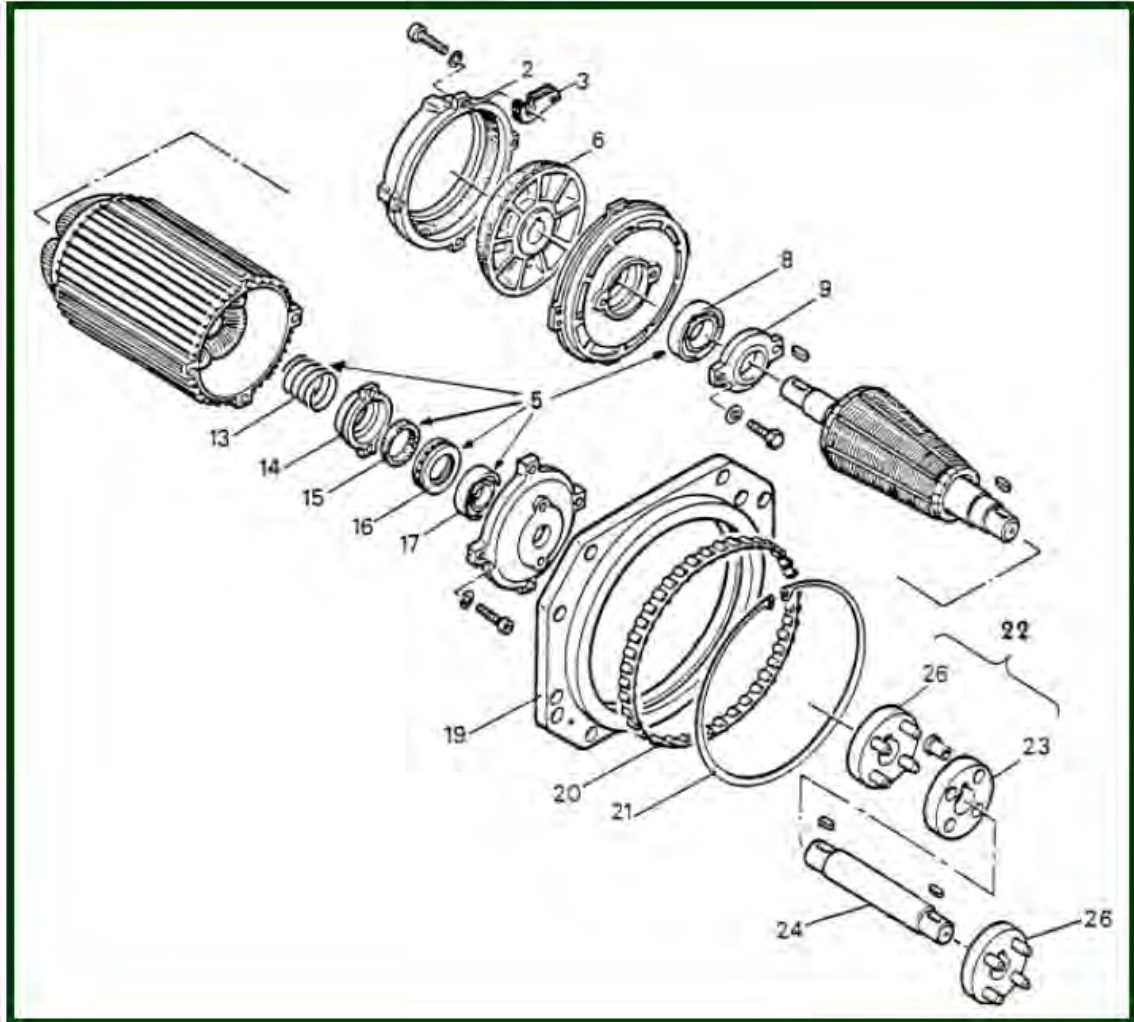
20) ELECTRICAL EQUIPMENT

1) Sub-assemblies

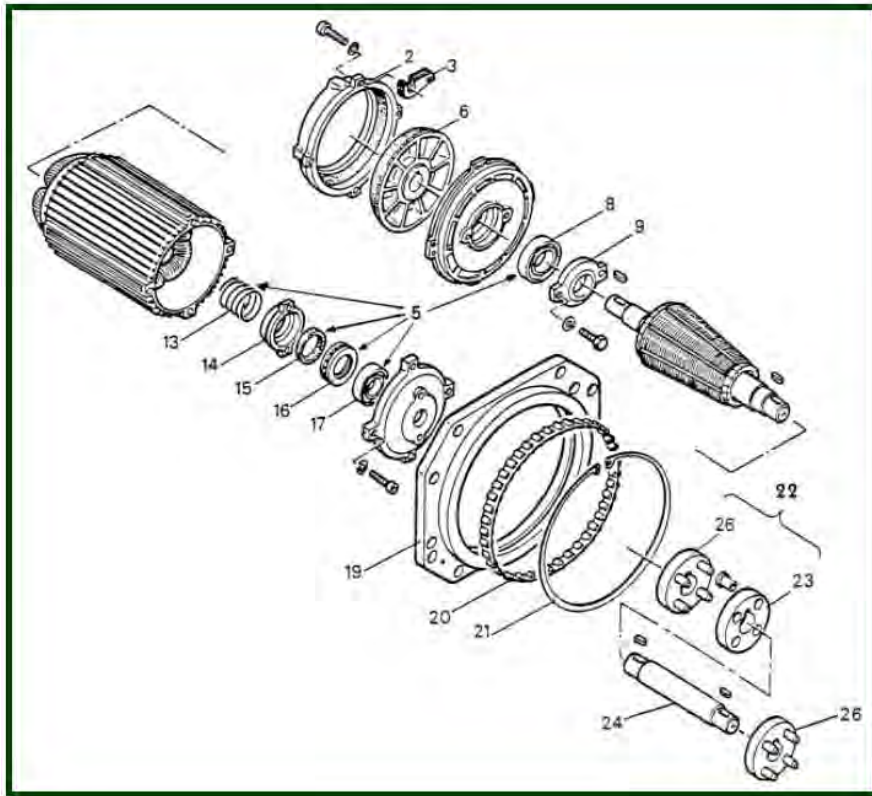


item	reference	description	observation	Quantity
1	38103079	Micro-speed 1,3Kw 220/380V		1
1	38103129	Micro-speed 1,3Kw 415V		1
1	38101001	Micro-speed 1 speed 1,3Kw 220/380V		1
1	38101002	Micro-speed 1 speed 415V		1
2	38533003	Micro-speed housing		1
2	38533001	Motor housing		1
3	38002015	Hoist motor 7,5/2,5Kw2 speed 220V		1
3	38002055	Hoist motor 7,5/2,5Kw2 speed 380V		1
3	38002125	Hoist motor 7,5/2,5Kw2 speed 415V		1
3	38001075	Hoist motor 7,5Kw1 speed 220/380V		1
3	38001125	Hoist motor 7,5Kw1 speed 415V		1
3	38001076	Hoist motor 12,5Kw 1 speed 220/380V		1
3	38001126	Hoist motor 12,5Kw1 speed 415V		1
4	31125002	Motor end plate		1
11	34001003	Hoist gearbox 16m/mn		1
11	34001001	Hoist gearbox 20m/mn		1
11	34001002	Hoist gearbox 25m/mn		1
11	34001004	Hoist gearbox 32m/mn		1
12	NC(5)	External chain guide	Not supplied anymore replaced by 52309591	1
13	38533002	Gearbox housing		1
14	33201001	Complete hook block - 2 falls		1
14	33401001	Complete hook block - 4 falls		1
14	33601001	Complete hook block - 6 falls		1
14	33801001	Complete hook block - 8 falls		1
14	5233610G	Hook with safety catch		1
-	7252201C	Cap with screw		1
-	7791300E	Cover seal		1

2) Hoist motor

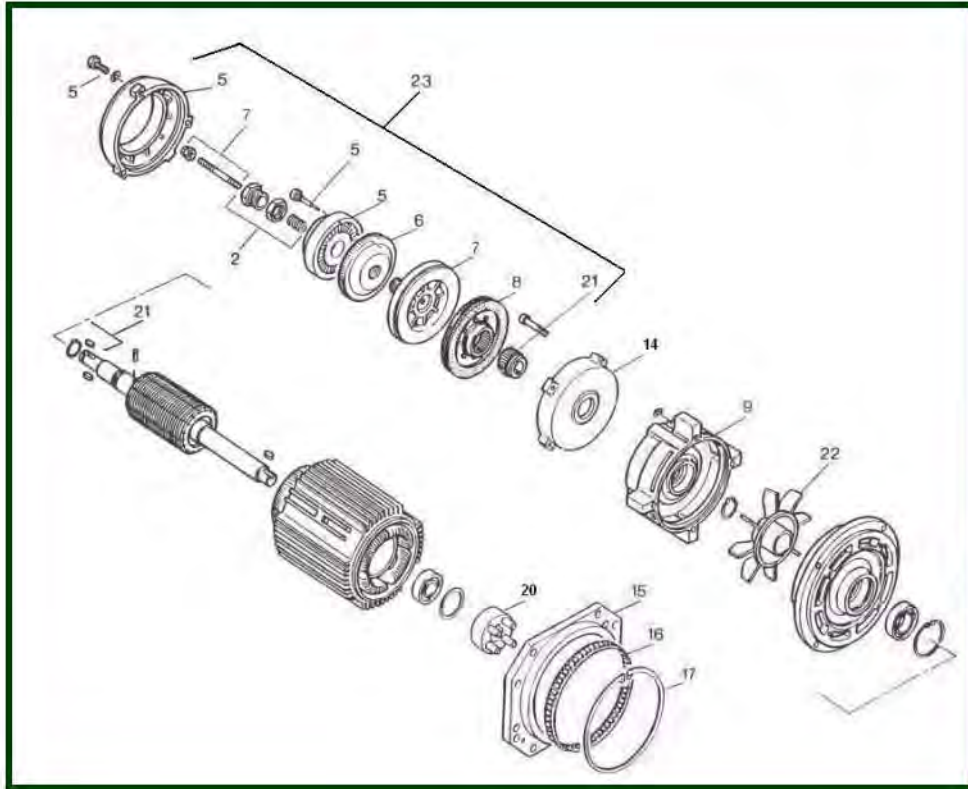


2.1) SE Motor



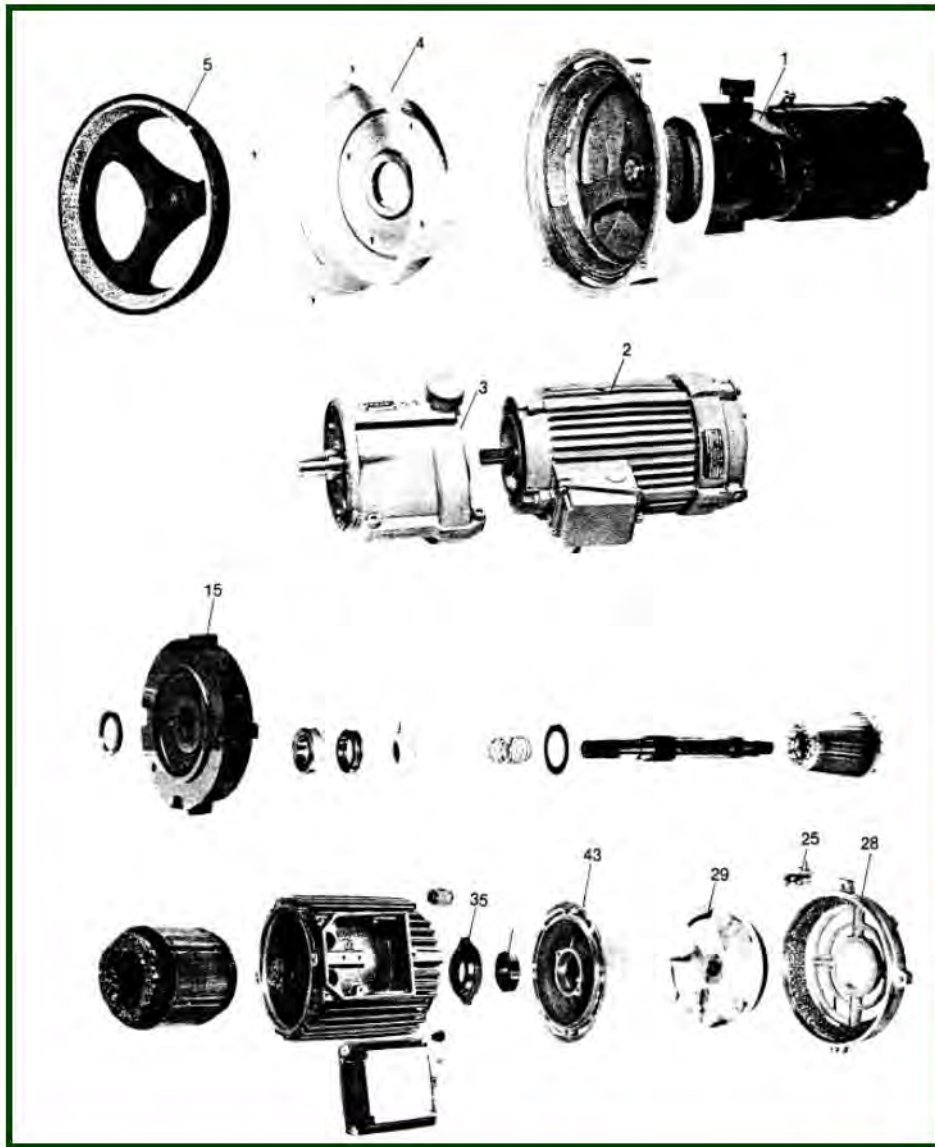
item	reference	description	observation	Quantity
2	38023001	Brake end cap with brake lining		1
3	38023003	Adjustment shims		4
5	38003001	Repair kit for hoisting motor	8+13+15+16+17	1
6	38023002	Brake cone		1
7	2475	Brake end-plate		1
9	38022005	Bearing		1
13	38032001	HF624 spring	12 KW	1
13	38032002	HF634 spring	7,5 KW mono/bi	1
14	2307	Bearing		1
19	31125002	Motor end plate		1
20	31111001	Bearing		1
21	31117001	Circlip		1
22	22401001	Complete coupling	25+ 26	1
23	22417002	Coupling female		1
24	32401002	Drive shaft SL	23+24+25+26	1
24	32401003	Drive shaft UL	23+24+25+26	1
25	7282464N	Key		1
26	22417001	Coupling male		1
-	38023004	NITROC Brake cone		1

2.2) GX Motor



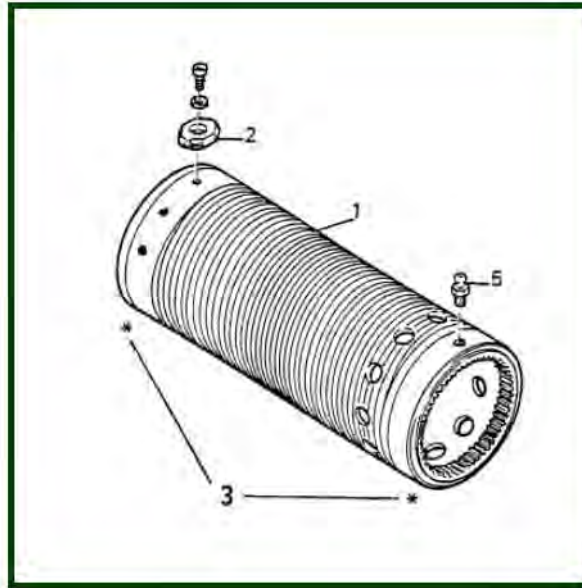
item	reference	description	observation	Quantity
2	342028323028	Brake torque adjustment set - Brake FCL 132	25+26+27+28	1
5	342028323025	Brake coil set	Bivitesse	1
6	342028323024	Frame - Brake FCL 132	Moteur 3141061510RD et 3141061511RD	1
7	343038223001	Brake set - Brake FCL 132	12+25+27	1
8	343038223003	Brake disc with lining - Brake FCL 132		1
9	343000680002	Flange-type bearing		1
14	343013263049	Brake casing		1
15	343031125002	Motor end plate		1
16	343031111001	Bearing (roller bearing)		1
17	343031117001	Interior circlip		1
20	22417001	Coupling male		1
21	343038222008	Hub set - Brake FCL 132		1
22	343038222007	Ventilator - Brake FCL 132		1
23	343038203001	Complet brake		1
-	34307346581Q	Hoist motor 2 speed type 735/2.5 kW		1
-	34307346281P	Hoist motor single-speed 7.5 kW		1
-	34307346291Z	Hoist motor single-speed type 12.5 kW		1

3) Micro-speed



item	reference	description	observation	Quantity
1	38101001	Micro-speed 1 speed 1,3Kw 220/380V		1
1	38101002	Micro-speed 1 speed 415V		1
2	38103079	Micro-speed 1,3Kw 220/380V		1
2	38103129	Micro-speed 1,3Kw 415V		1
3	38140001	Gearbox micro speed		1
4	38121001	Brake wheel cover		1
5	38123001	Brake cone		1
15	38125001	Gearbox housing		1
25	38133001	Adjustment shims		1
28	28123002	Brake end cap with brake lining		1
29	28123004	Brake cone		1
35	28122002	Bearing		1
43	28122001	Bearing cover		1

4) Drum / Rope

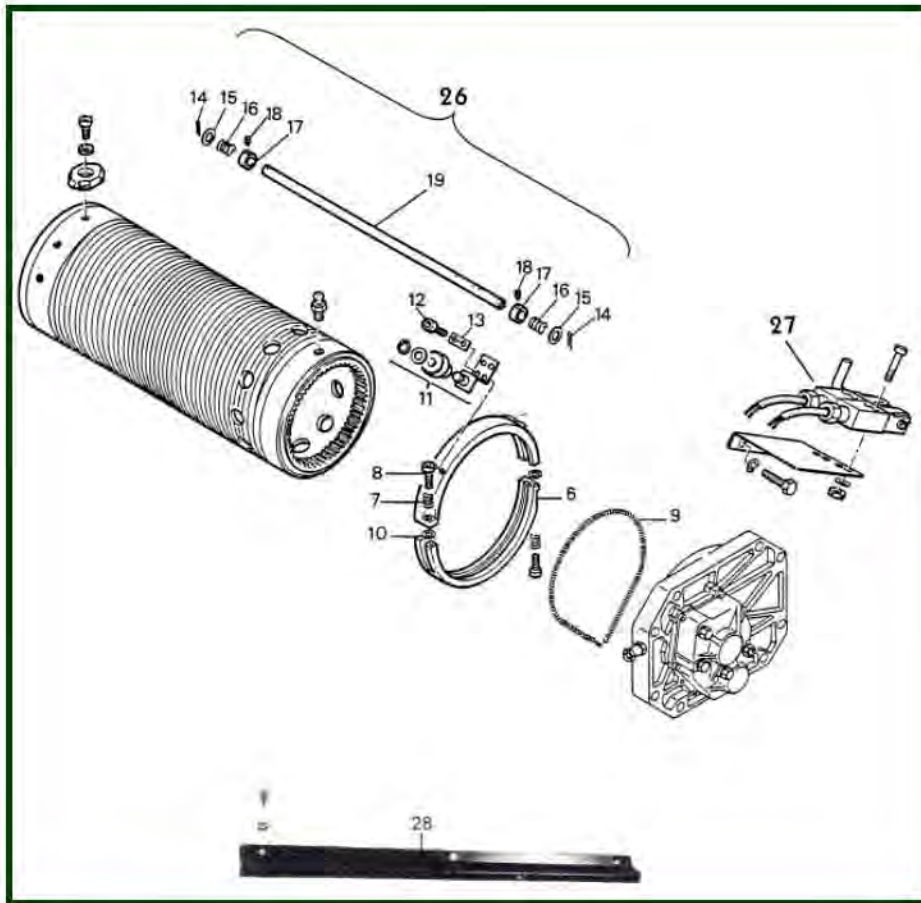


item	reference	description	observation	Quantity
1	32135007	Rope drum for rope - Ø 10,5mm	L - 2F - pas 11,3mm Lg 770mm	1
1	32135008	Rope drum for rope - Ø 10,5mm	SL - 2F - pas 11,3mm Lg 1210mm	1
1	32135009	Rope drum for rope - Ø 10,5mm	UL - 2F - pas 11,3 mm Lg 1680mm	1
1	32135001	Rope drum for rope - Ø 14mm	L - 1F - pas 15,7mm Lg 770mm - Droite/Right	1
1	32135004	Rope drum for rope - Ø 14mm	L - 2F - pas 15,7mm Lg 770mm	1
1	32135002	Rope drum for rope - Ø 14mm	SL - 1F - pas 15,7mm Lg 1210mm - Droite/Right	1
1	32135003	Rope drum for rope - Ø 14mm	UL - 1F - pas 15,7mm Lg 1680mm - Droite/Right	1
1	32135005	Rope drum for rope - Ø 15,7mm	SL - 2 F - pas de 15,7mm Lg 1210mm	1
1	32135006	Rope drum for rope - Ø 15,7mm	UL - 2F - pas 15,7mm Lg 1680mm	1
2	12133001	Rope anchor on drum	VS2-VS4	4
3	22133002	Drump thrust motor		2
-	7312146Q	Non rotating wire rope - Ø14	UL - 2/1 - Mètre / Meter	1
-	7322835D	Preformed wire rope - Ø 14	UL - 8/1 - Mètre / Meter	1
-	7333140E	Rope clamp - Ø 14		1

4.1) Precut rope

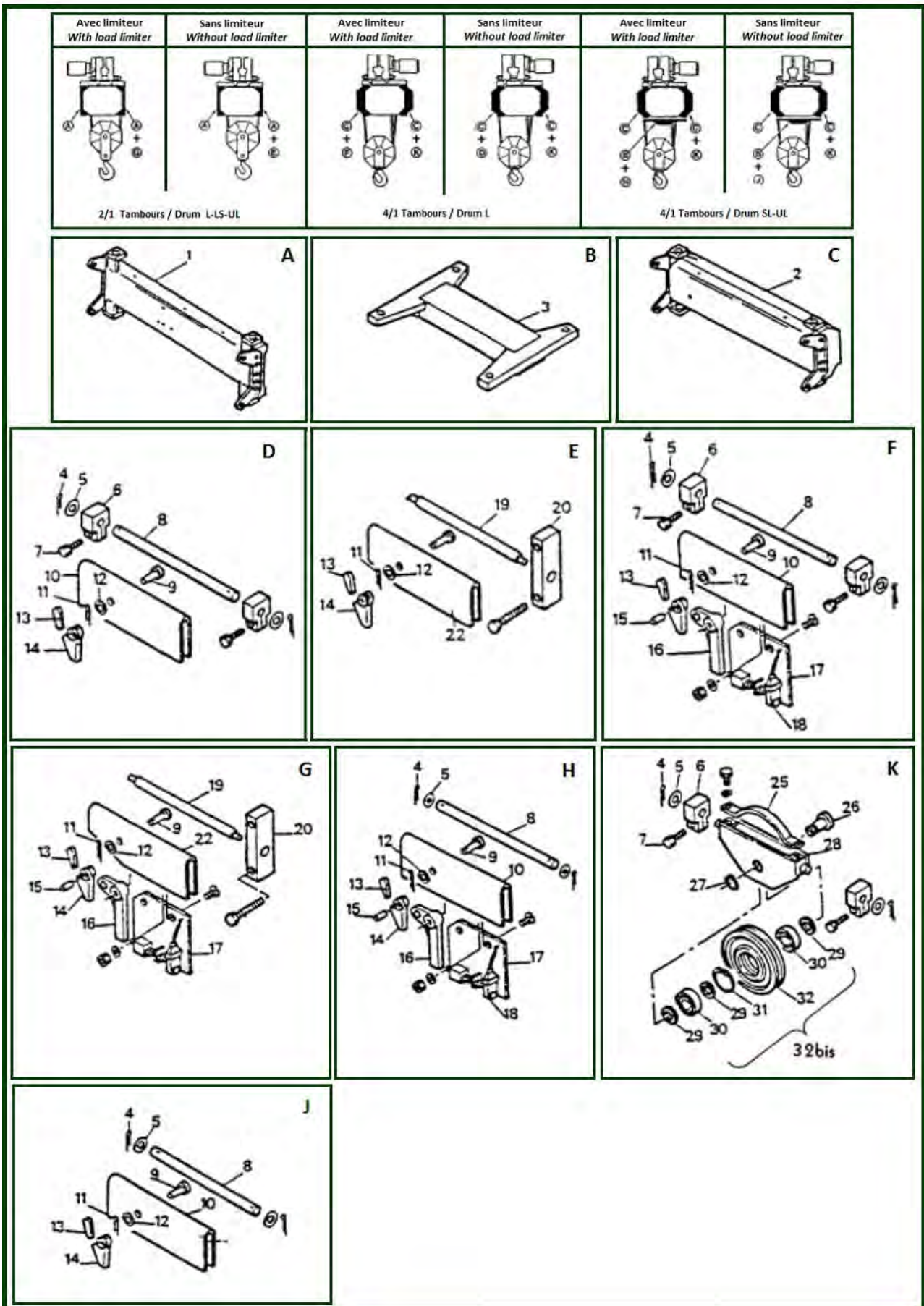
item	reference	description	observation	Quantity
-	<u>32201001</u>	Non rotating wire rope - Ø14	Lg 37,5m - 1/1	1
-	<u>32201004</u>	Non rotating wire rope - Ø14	Lg 38,5m - 2/1 - L	1
-	<u>32201002</u>	Non rotating wire rope - Ø14	Lg 65,5m - 1/1 - SL	1
-	<u>32201005</u>	Non rotating wire rope - Ø14	Lg 66m - 2/1 - SL	1
-	<u>32201003</u>	Non rotating wire rope - Ø14	Lg 95,5m - 1/1 - UL	1
-	<u>32201006</u>	Non rotating wire rope - Ø14	Lg 96m - 2/1 - UL	1
-	<u>32201007</u>	Preformed steel wire rope - Ø14	Lg 40,5m - 4/1 - L	1
-	<u>32201010</u>	Preformed steel wire rope - Ø14	Lg 42,5m - 6/1 - L	1
-	<u>32201008</u>	Preformed steel wire rope - Ø14	Lg 68m - 4/1 - SL	1
-	<u>32201011</u>	Preformed steel wire rope - Ø14	Lg 70m - 6/1 - SL	1
-	<u>32201013</u>	Preformed steel wire rope - Ø14	Lg 75,5m - 8/1 - SL	1
-	<u>32201009</u>	Preformed steel wire rope - Ø14	Lg 98m - 4/1 - UL	1
-	<u>32201012</u>	Preformed steel wire rope - Ø14	Lg 100m - 6/1 - UL	1
-	<u>32201014</u>	Preformed steel wire rope - Ø14	Lg 105,5m - 8/1 - UL	1

5) Rope guide / Limit switch



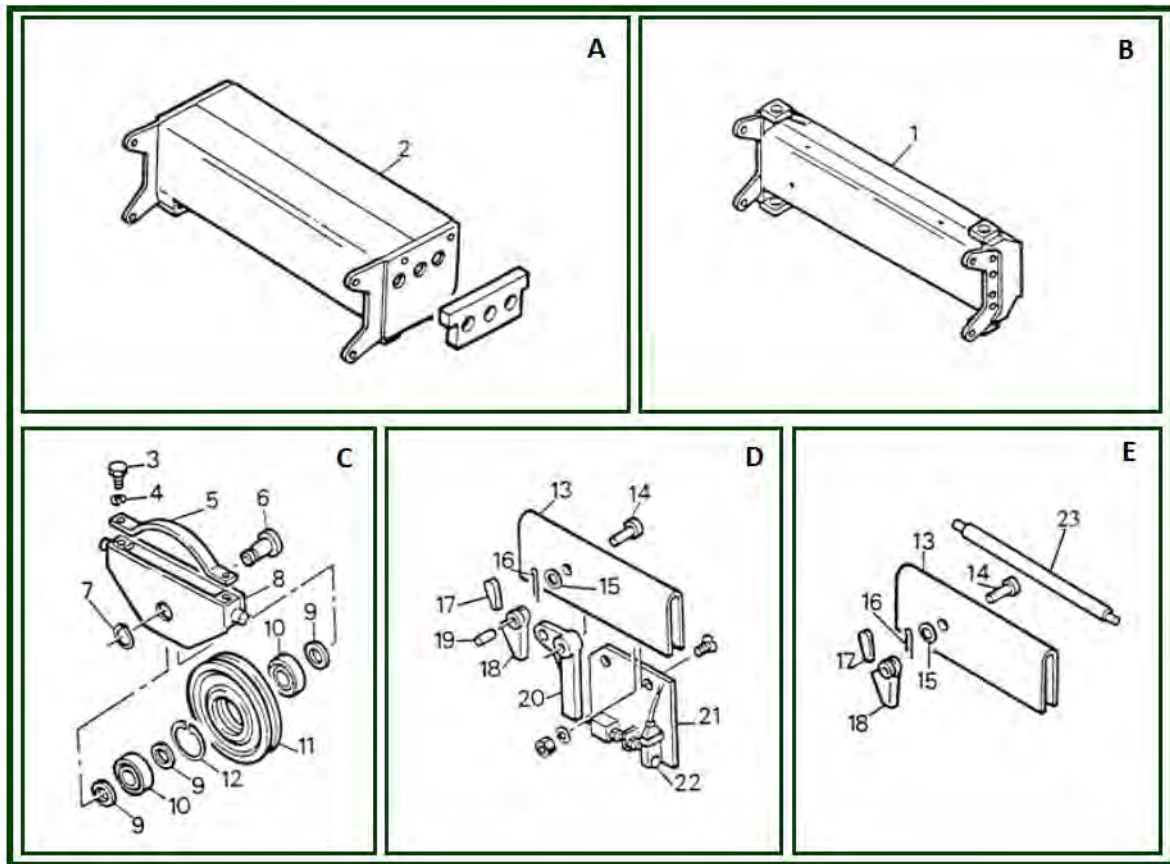
item	reference	description	observation	Quantity
6	32301004	Rope guide left hand	Pour câble 10mm / For rope 10mm	1
6	32301002	Rope guide left hand	Pour câble 14mm / For rope 14mm std pour/for Levage centré/True vertical lift	1
6	32301003	Rope guide right hand	Pour câble 10mm / For rope 10mm	1
6	32301005	Rope guide right hand	Pour câble 12mm / For rope 12mm special	1
6	32301001	Rope guide right hand	Pour câble 14mm / For rope 14mm STD	1
7	32332001	Spring		2
8	7215564E	Screw CHCM 10x70		2
9	32332002	Spring		1
10	7232100D	Narrow Grover washer -10mm	DIN12	2
11	32301010	Rope guide roller complete	41609	1
26	32503001	Limit switch operating rod assembly type L	14-15-16-17-18-19	1
26	32503002	Limit switch operating rod assembly type SL	14-15-16-17-18-19	1
26	32503003	Limit switch operating rod assembly type UL	14-15-16-17-18-19	1
27	12503001	Limit switch without support		1
28	31133001	Rope guide rail drum L		1
28	31133002	Rope guide rail drum SL		1
28	31133003	Rope guide rail drum VL		1
-	7541412N	Limit switch contact - Top		1

6) HPN 2/1 4/1



item	reference	description	observation	Quantity
1	31124001	Frame side piece type L 2/1		2
1	31124002	Frame side piece type SL 2/1		2
1	31124003	Frame side piece type UL 2/1		2
2	31124004	Frame side piece type L 4/1		2
2	31124005	Frame side piece type SL 4/1		2
2	31124006	Frame side piece type UL /14		2
3	31231001	Bottom frame piece type SL 4/1		1
3	31231002	Bottom frame piece type UL 4/1		1
4	7271634A	Split pin		2
5	31217001	Washer		2
6	31333001	Support type 4/1		2
8	31215002	Fixed point support axle L 4/1		1
8	31215003	Fixed point support axle SL 4/1		1
8	31215004	Fixed point support axle UL 4/1		1
9	5261411A	Shaft	DA - Ø 12 mm	1
10	31224002	Fixed point yoke type L 4/1		1
10	31224003	Fixed point yoke type UL 4/1		1
11	7271405B	Split pins	Câble / Rope Ø 11 mm	1
12	7231201B	Flat washer		1
13	8536226G	Wedge for cable (Æ 14)		1
14	8536126Y	Rope attachment	Câble / Rope Ø 12 mm	1
15	5261451U	Rope attachment axis type N-L-SL-SSL	DA - Ø 12 mm	1
16	5261452V	Right-angled lever type N-L-SL-SSL	DA - Ø 12 mm	1
17	31901006	Load limiter complete	HPN 2/1	1
17	31901001	Load limiter complete	HPN 4/1-HPR-	1
17	31901007	Load limiter mechanism plate	HPN 2/1	1
17	31901004	Load limiter mechanism plate	HPN 4/1-HPR-	1
18	7545111H	Load limiter electrical contact	Avant fin/Before end 1991	1
19	31216001	Fixed point support axle type 2/1		1
20	31233001	Supporting plate type 2/1		1
22	31224001	Fixed point yoke type 2/1		1
25	31333003	Hoop piece		1
26	31316001	Pulley spindle		1
27	7262050H	Exterior circlip		1
28	31324001	Return yoke		1
29	33417002	Spacer collar		3
30	7412101G	Bearing	Après / After 06 / 83	2
31	7261090Q	Interior circlip		1
32	33412001	Pulley		1
32bis	31303002	Return pulley complete	29+30+31	1
-	7545112J	Switch	Avant fin/Before end 1991	1

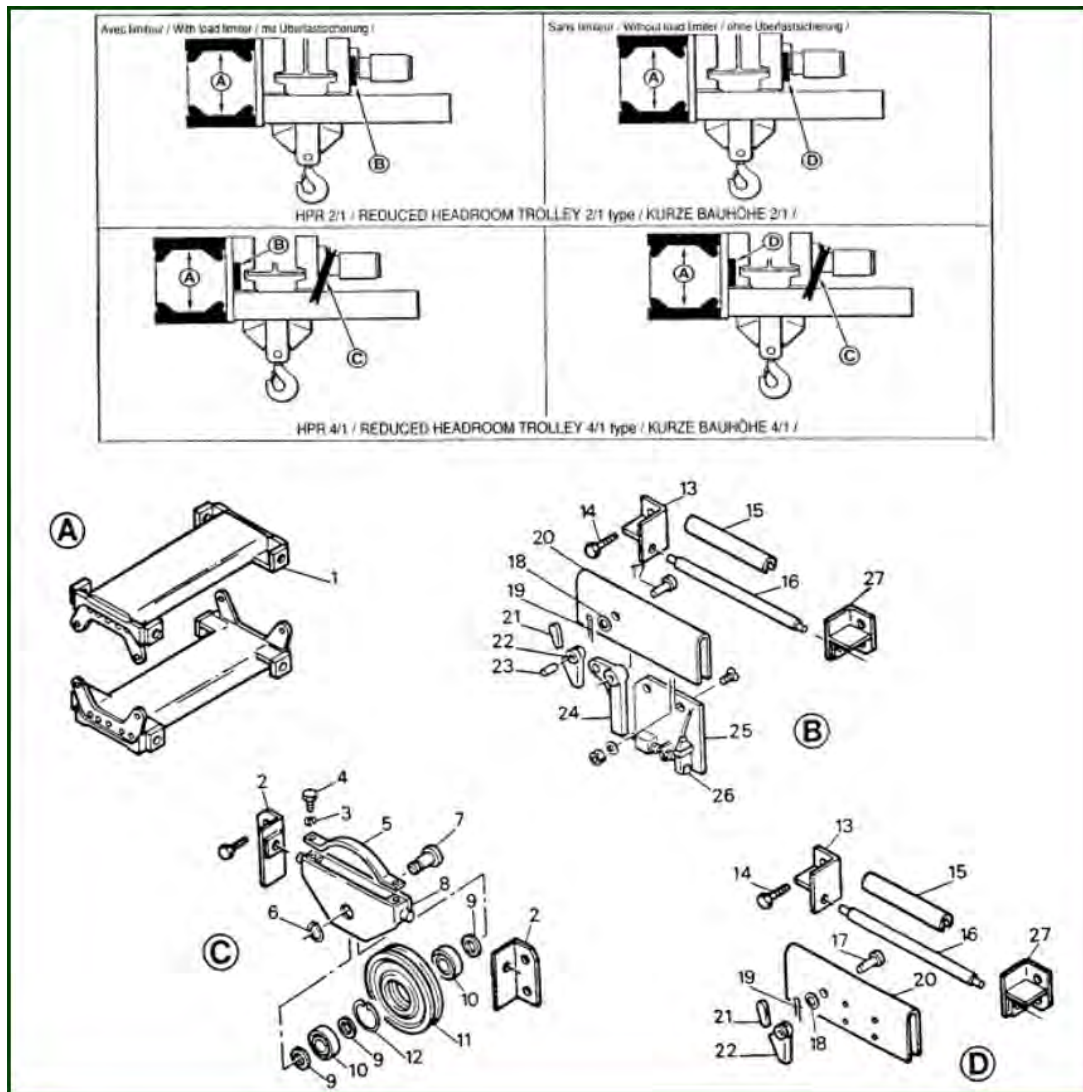
7) HPN 6/1



item	reference	description	observation	Quantity
1	31124007	Frame side piece type UL 6/1		1
2	31124004	Frame side piece type L 4/1		2
2	31124005	Frame side piece type SL 4/1		2
2	31124003	Frame side piece type UL 2/1		1
3	7211554W	HM screw 10 x 20		2
3	7211553W	L and SL type screw		2
4	7232100D	Narrow Grover washer -10mm	DIN12	2
5	31333003	Hoop piece		1
5	31333004	L and SL type hood piece		1
6	31316001	Pulley spindle		1
7	7262050H	Exterior circlip		1
7	7262070E	L and SL type circlips exterior		1
8	31324002	L and SL return yoke		1
8	31324001	Return yoke		1
9	33617001	L and SL spacer collar		3
9	33417002	Spacer collar		3
10	7412101G	Bearing	Après / After 06 / 83	2
10	7412142B	L and SL bearing		2
11	33612001	L and SL type pulley		1
11	33412001	Pulley		1
12	7261125C	Circlips Ø 125		1
12	7261090Q	Interior circlip		1
13	31224005	L type fixed point yoke		1
13	31224006	SL type fixed point yoke		1
13	31224007	UL type fixed point yoke		1
14	5261411A	Shaft	DA - Ø 12 mm	1
15	7231201B	Flat washer		1
16	7271405B	Split pins	Câble / Rope Ø 11 mm	1

17	<u>8536226G</u>	Wedge for cable (Æ 14)		1
18	<u>8536126Y</u>	Rope attachment	Câble / Rope Ø 12 mm	1
19	<u>5261451U</u>	Rope attachment axis type N-L-SL-SSL	DA - Ø 12 mm	1
19+20+21	<u>31901001</u>	Load limiter complete	HPN 4/1-HPR-	1
20	<u>5261452V</u>	Right-angled lever type N-L-SL-SSL	DA - Ø 12 mm	1
21	<u>31901004</u>	Load limiter mechanism plate	HPN 4/1-HPR-	1
21	<u>31901005</u>	Load limiter plate	L	1
22	<u>7545111H</u>	Load limiter electrical contact	Avant fin/Before end 1991	1
23	<u>31216003</u>	Fixed point support axle L		1
23	<u>31216004</u>	Fixed point support axle SL		1
23	<u>31216005</u>	Fixed point support axle UL		1
-	<u>31901002</u>	Load limiter complete	L	1

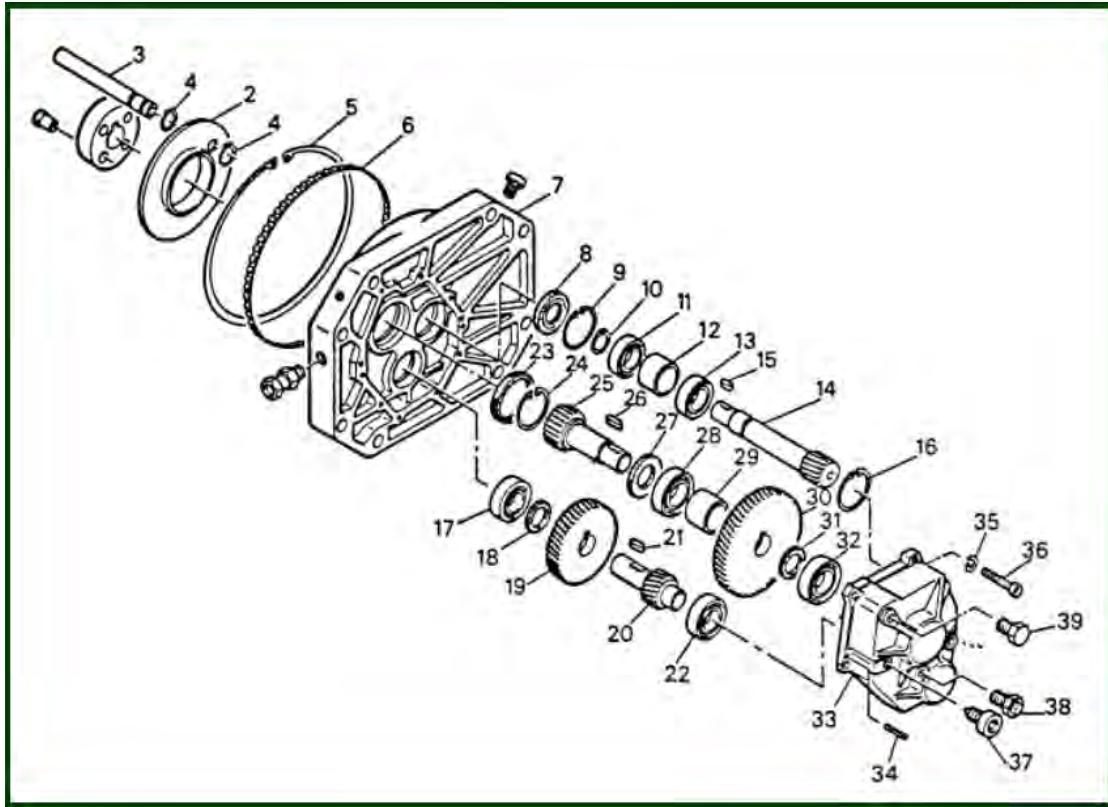
8) HPR 2/1 4/1



item	reference	description	observation	Quantity
1	31124001	Frame side piece type L 2/1		2
1	31124002	Frame side piece type SL 2/1		2
1	31124003	Frame side piece type UL 2/1		2
2	31333002	Return support		2
3	7232100D	Narrow Grover washer -10mm	DIN12	2
4	7211554W	HM screw 10 x 20		2
5	31333003	Hoop piece		1
6	7262050H	Exterior circlip		1
7	31316001	Pulley spindle		1
8	31324001	Return yoke		1
9	33417002	Spacer collar		3
10	7412101G	Bearing	Après / After 06 / 83	2
11	33412001	Pulley		1
12	7261090Q	Interior circlip		1
13	31233003	Left hand support		1
15	31215001	Supporting sleeve for 4/1		1
16	31216002	Fixed point spacer		1
17	5261411A	Shaft	DA - Ø 12 mm	1
18	7231201B	Flat washer		1
19	7271405B	Split pins	Câble / Rope Ø 11 mm	1
20	31224003	Fixed point yoke type UL 4/1		1

21	<u>8536226G</u>	Wedge for cable (Æ 14)		1
22	<u>8536126Y</u>	Rope attachment	Câble / Rope Ø 12 mm	1
23	<u>5261451U</u>	Rope attachment axis type N-L-SL-SSL	DA - Ø 12 mm	1
24	<u>5261452V</u>	Right-angled lever type N-L-SL-SSL	DA - Ø 12 mm	1
25	<u>31926007</u>	Load limiter mechanism plate	40545	1
25	<u>31926004</u>	Load limiter mechanism plate	40547	1
26	<u>7545111H</u>	Load limiter electrical contact	Avant fin/Before end 1991	1
27	<u>31233002</u>	Right hand support		1

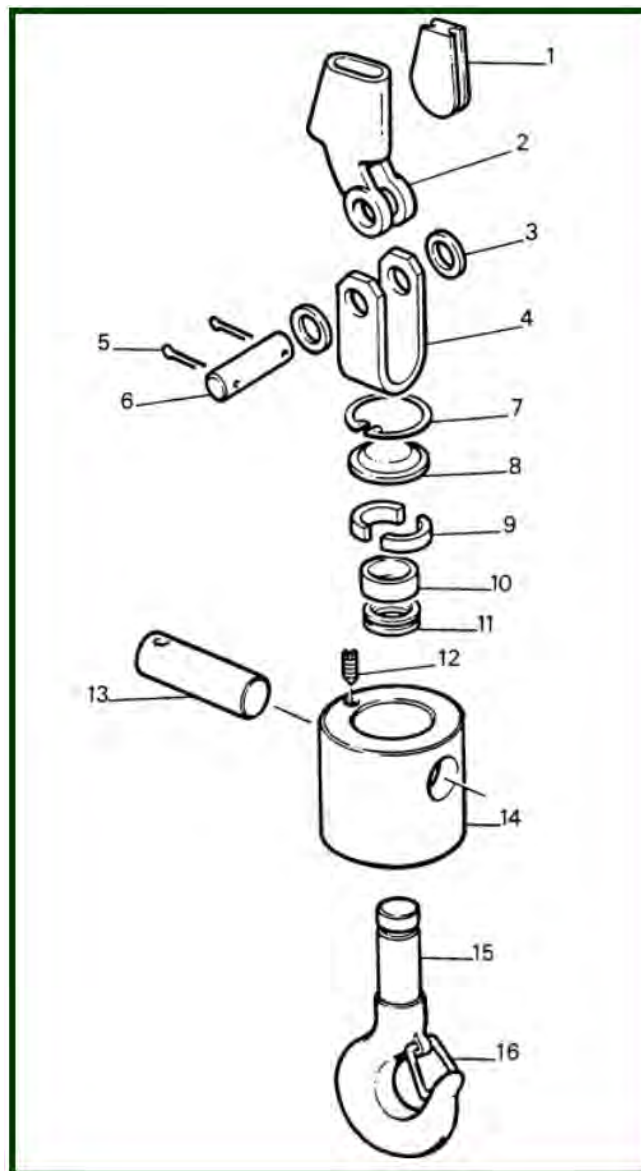
9) Hoisting gearbox



item	reference	description	observation	Quantity
2	34014002	Deflector		1
3	34035001	Protective tube		1
4	7263028W	Exterior circlip		2
5	31117001	Circlip		1
6	31111001	Bearing		1
7	31125001	Gearbox end-plate		1
8	1432	Seal	DIN 3760 25X52X7	1
9	7261052Y	Internal circlip	Ø 52	1
10	7262025F	Exterior circlip	Ø 25	1
11	7425050G	Bearing		1
12	34017005	Ring for gearbox 16m/mn		1
12	34017004	Ring for gearbox 20m/mn		1
12	34017006	Ring for gearbox 25 and 32m/mn		1
13	7425050G	Bearing		1
14	34020003	Primary gearbox shaft 11 teeth	16m/mn	1
14	34020002	Primary gearbox shaft 12 teeth	20m/mn	1
14	34020004	Primary gearbox shaft 14 teeth	25m/mn	1
14	34020005	Primary gearbox shaft 16 teeth	32m/mn	1
15	7282464N	Key		1
16	7261052Y	Internal circlip	Ø 52	1
17	7412070Y	Bearing		1
18	34017007	Ring for gearbox 16 & 25m/mn		1
19	34019006	Geared wheel for gearbox 55 teeth	32m/mn	1
19	34019003	Geared wheel for gearbox 57 teeth	25m/mn	1
19	34019004	Geared wheel for gearbox 59 teeth	20m/mn	1
19	34019005	Geared wheel for gearbox 60 teeth	16m/mn	1
20	34020007	Axle for gearbox pinion 13 teeth	25/16m/mn	1
20	34020006	Axle for gearbox pinion 14 teeth	32/20m/mn	1
21	7282120Y	Key	20-25 & 32m/mn	1
21	7282102D	Key		1
22	7412070Y	Bearing		1

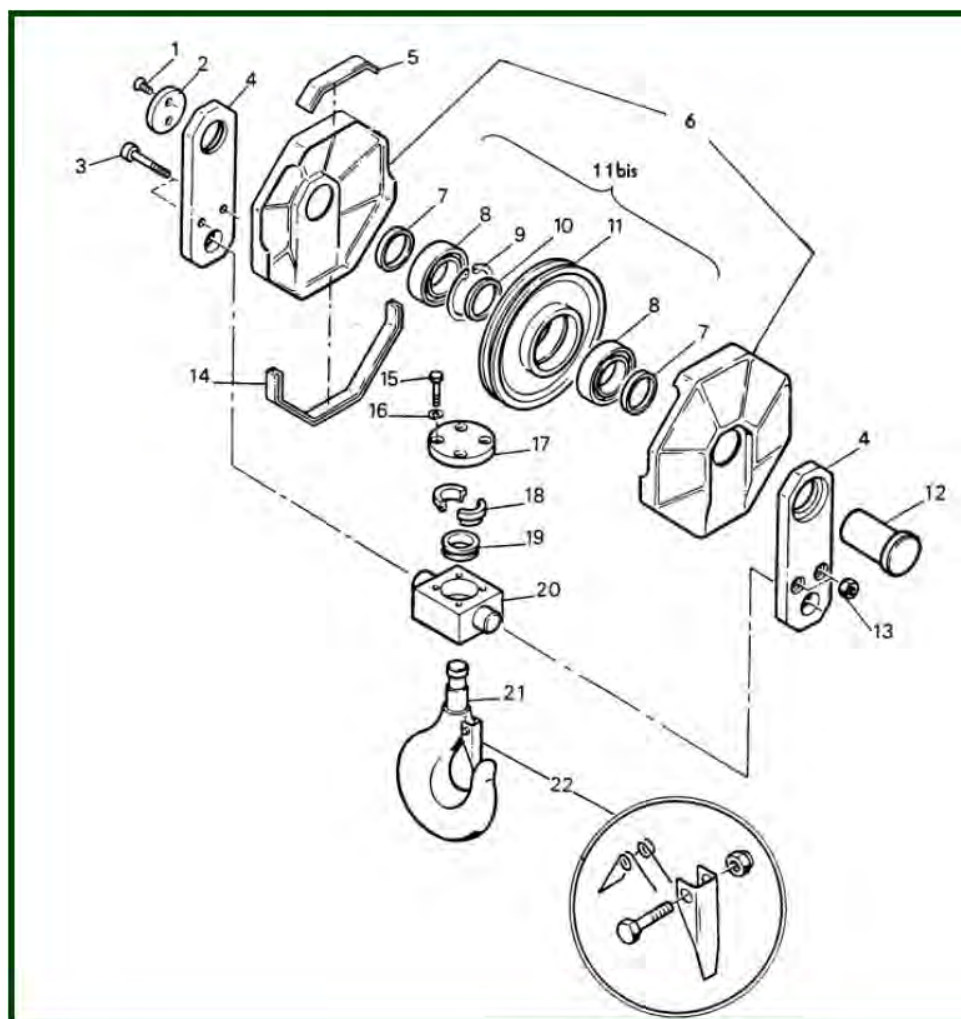
23	<u>2422</u>	Seal		1
24	<u>7261110L</u>	Interior circlip 110	DA-RD	1
25	<u>34020001</u>	Axle for pinion 15 teeth		1
26	<u>7282140Y</u>	Key		1
27	<u>34017003</u>	Spacer		1
28	<u>7425120H</u>	Ball bearing - Bore 60	Avant / Before 1980	1
29	<u>34017002</u>	Spacer		1
30	<u>34019001</u>	Geared wheel for gearbox 51teeth	20 & 32m/mn	1
30	<u>34019002</u>	Geared wheel for gearbox 52 teeth	16 & 25m/mn	1
31	<u>34017001</u>	Spacer collar		1
32	<u>7413100T</u>	Ball bearing - Bore 50 for 5000Kg		1
33	<u>34014001</u>	Gearbox cover		1
33a	<u>2984</u>	Paper gasket		1
34	<u>7273356Y</u>	Split pin		2
35	<u>7232080G</u>	GROWER washer - Ø 8		8
36	<u>7215455L</u>	CHC screw 8 x 25	25 x 25	8
37	<u>5218</u>	Breather screw plug		1
38	<u>1448</u>	Oil-level plug 1/8"		1
38	<u>1449</u>	Oil-level plug 3/8"		2
39	<u>5220</u>	Magnetized plug		1

10) Hook block - 1 fall



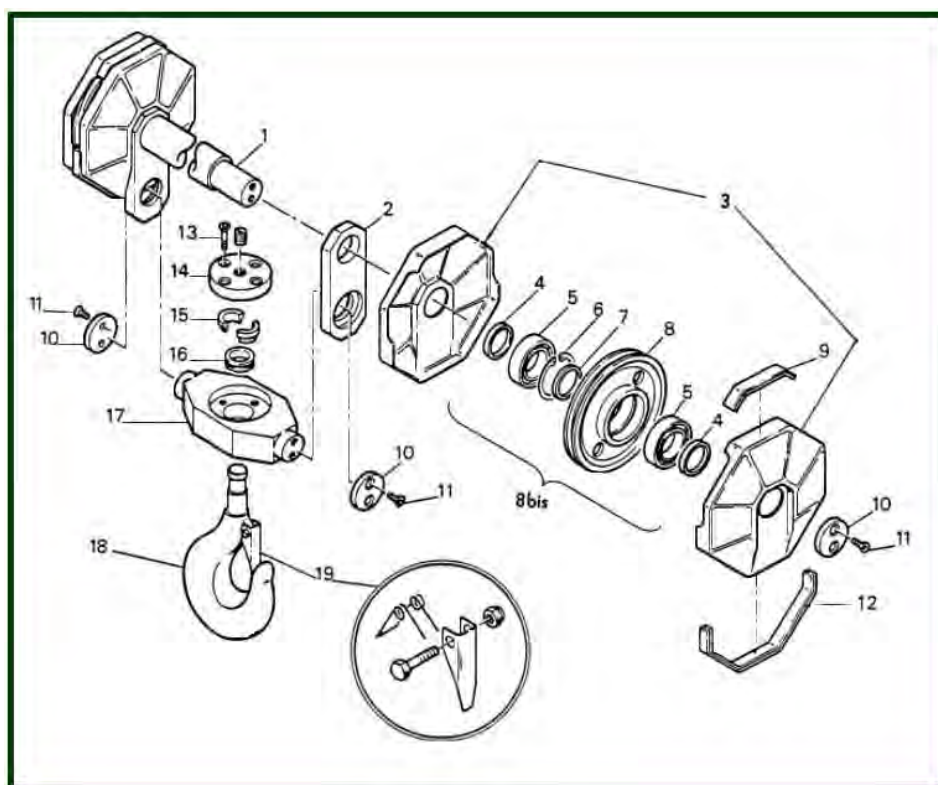
item	reference	description	observation	Quantity
1	8536226G	Wedge for cable (Æ 14)		1
2	8536126Y	Rope attachment	Câble / Rope Ø 12 mm	1
3	7231162J	Plate washer	Câble / Rope Ø 11 mm	2
4	5263311R	Stirrup	Câble / Rope Ø 12 mm	1
5	7271405B	Split pins	Câble / Rope Ø 11 mm	2
6	5263312S	Rope attachment axle	Câble / Rope Ø 12 mm	1
7	7261080D	Internal circlip - Ø 80		1
8	5233615N	Cap	Câble / Rope Ø 11 & 12 mm	1
9	5233613K	Half segment ring	Câble / Rope Ø 11 & 12 mm	1
10	5233612J	Cylindrical dish	Câble / Rope Ø 11 & 12 mm	1
11	7431062S	Thrust bearing		1
12	7217434N	Pointed screw	Câble / Rope Ø 11 & 12 mm	1
13	5233302X	Axle	Câble / Rope Ø 11 & 12 mm	1
14	5233301W	Washer	Câble / Rope Ø 11 & 12 mm	1
15	5233610G	Hook with safety catch		1
16	SR32F	Safety catch (wire)	Câble / Rope Ø 11 & 12 mm	1
16	13203003	Safety-latch	Lot de /set of 5 pièces	1
-	3263310J	1 fall hook assembly		1
-	7333140E	Rope clamp - Ø 14		1
-	8536228J	Rope wedge	Câble / Rope Ø 11 mm - DA	1

11) Hook block - 2 falls



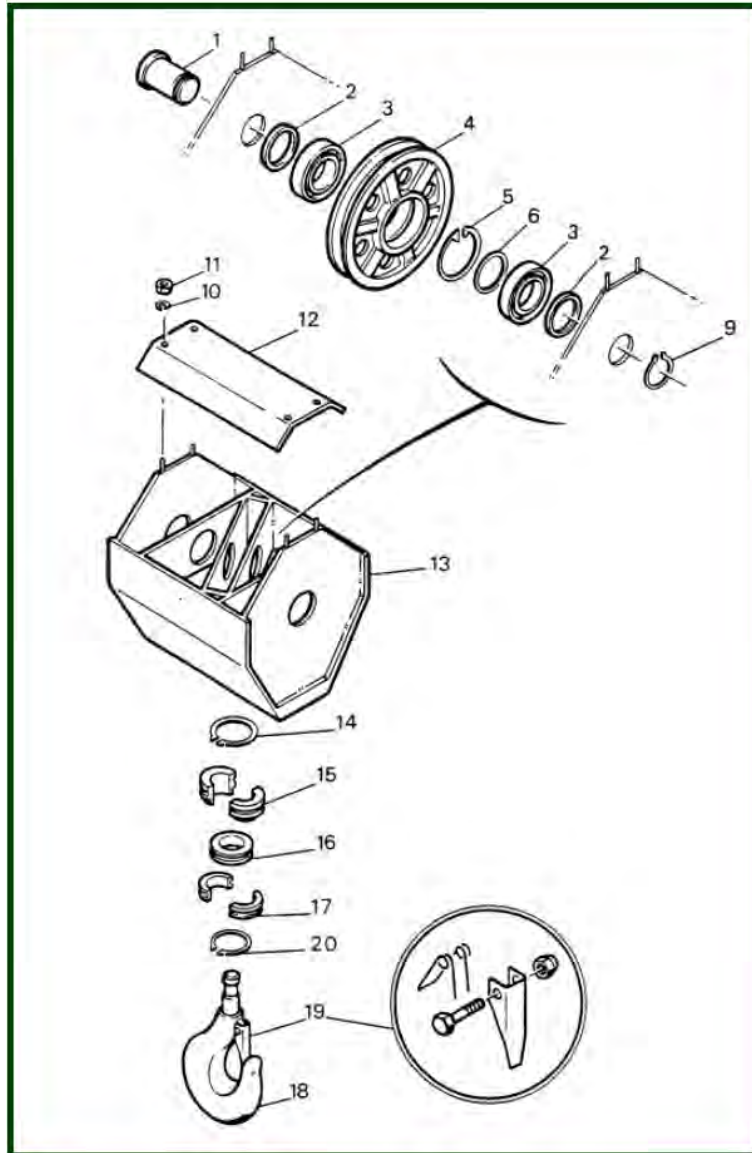
item	reference	description	observation	Quantity
1	7216466U	Screw		2
2	33217001	Retaining washer		1
3	7215470C	Screw		2
4	33225001	Bottom block support piece		2
6	33203001			1
7	33417001	Spacer		1
8	7412101G	Bearing	Après / After 06 / 83	1
9	400080	Retaining ring for bore - Ø 90x3		1
10	33417002	Spacer collar		0
11	33412001	Pulley		1
11bis	33203002	Complete pulley		1
12	33216001	Pulley axle		1
13	7221080A	HM nut (8)		2
15	7211352B	Screw		4
16	7232060K	Washer M6	Standard	4
17	33234001	Bearing cover		1
18	23417003	Two part collar		1
19	7431072C	Thrust bearing		1
20	33231001	Bottom block cross-piece		1
21	23413001	Hook with safety latch		1
22	23233001	Safety catch		1
22	33233003	Safety catch N°2.5		1
-	33201001	Complete hook block - 2 falls		1

12) Hook block - 4 falls



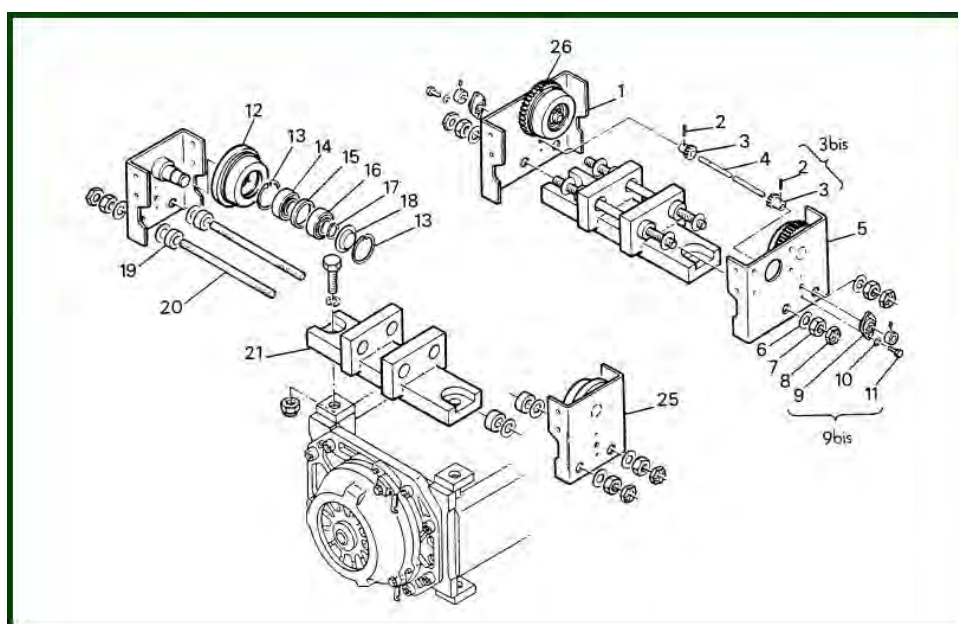
item	reference	description	observation	Quantity
1	33416001	Pulley axle		1
2	33425001	Bottom block support piece		2
3	33203001			2
4	33417001	Spacer		2
5	7412101G	Bearing	Après / After 06 / 83	2
6	400080	Retaining ring for bore - Ø 90x3		1
7	33417002	Spacer collar		1
8	33412001	Pulley		2
8bis	33203002	Complete pulley		1
10	33217001	Retaining washer		4
11 & 13	7216466U	Screw		8
14	33434001	Bearing cover		1
15	33417003	Two-part collar		1
16	7431093A	Thrust bearing		1
17	33431001	Bottom block cross		1
18	33413001	Hook with safety catch		1
19	23233001	Safety catch		1
19	33433003	Safety latch n°4		1
	33401001	Complete hook block - 4 falls		1

13) Hook block - 6 falls



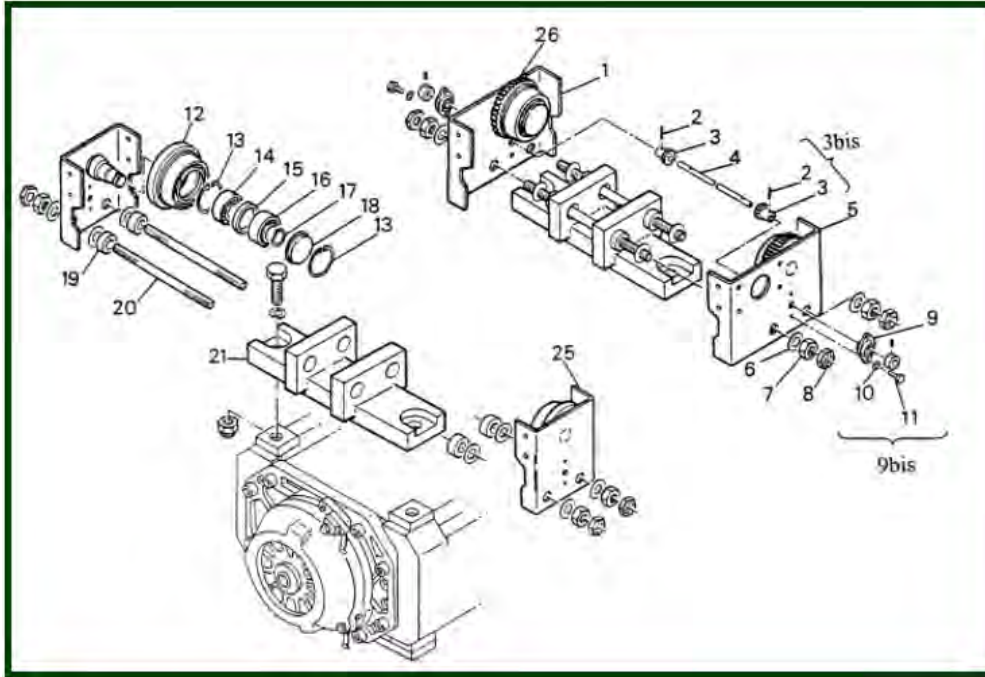
item	reference	description	observation	Quantity
1	33616001	Pulley axle		1
2	33617002	Spacer		6
3	7412142B	L and SL bearing		6
4	33612001	L and SL type pulley		3
5	7261125C	Circlips Ø 125		3
6	33617001	L and SL spacer collar		3
9	7262070E	L and SL type circlips exterior		3
10	7232080G	GROWER washer - Ø 8		4
11	7221080A	HM nut (8)		4
12	33614001	Bottom block body cover		1
13	33610001	Bottom block cover		1
14	7262070E	L and SL type circlips exterior		1
15	33617003	Set collar		1
16	7431103L	Thrust bearing		1
17	33617004	Two part collar		1
18	33613001	Hook with safety catch		1
19	33633001	Safety catch		1
20	7262095G	Exterior circlip		1
-	33601001	Complete hook block - 6 falls		1

14) Standard headroom monorail trolley 2/1



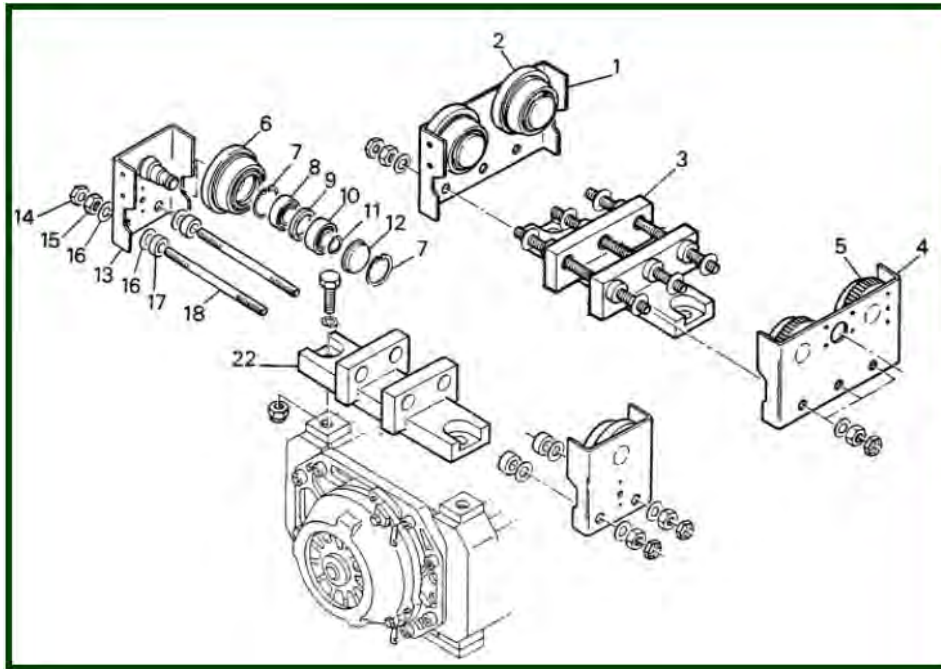
item	reference	description	observation	Quantity
1	3541114N	Ung geared side plate with fittings - Driven runner	Depuis/Since 01/1986	1
2	7273356X	MECANINDUS 6 x 30 pin		2
3	5833520H	Intermediate pinion	20 Dts / 20 th	2
3bis	25003001	Set of 2 pinions and pins	2+3	1
4	25015001	Jackshaft	Fer 90 to 150 - Lg 340 mm	1
4	25015002	Jackshaft	Fer 151 to 200 - Lg 390 mm	1
4	25015003	Jackshaft	Fer 201 to 250 - Lg 440 mm	1
4	25015004	Jackshaft	Fer 252 to 300 - Lg 490 mm	1
5	3541313D	Geared side plate with fittings - Left end carriage	Depuis/Since 01/1986	1
6	7153629J	Adjustment washer	Ep. / th 2mm	24
6	7153639V	Adjustment washer	Ep. / th 3 mm	80
7	7221360E	Nut		8
8	7223360D	PAL nut		8
9	7447100Z	Bearing PFT		2
9bis	25003003	Set of 1 shaft bearing with screw and washer	2+3+4+5	2
12	4541111R	Idler runner with fittings without axle		2
13	7261080D	Internal circlip - Ø 80		8
14	7412081K	Bearing		4
15	5441152W	Collar		4
16	7413070K	Bearing		4
17	7262035S	Circlip - Ø 35		4
18	5233615N	Cap	Câble / Rope Ø 11 & 12 mm	4
19	5442116U	Collar	ép. /th. 25mm	8
19	5442117V	Collar	ép. /th. 50mm	8
20	5442102D	Spacer	Lg 370mm	4
20	5452102Y	Spacer	Lg 440mm	4
20	5452106C	Spacer	Lg 540mm	4
21	25031004	Washer	4/1 (5 et 6,3T)	2
25	3541113L	Ung geared side plate with fittings	Depuis/Since 01/1986	2
26	4541311H	Geared wheel with fittings without axle		2
-	3553210K	Chain drive HPN		1
-	5441351V	Geared wheel only		1
-	5441151V	Idler runner without fittings with axle	Ø 150 x 186	1
-	25002070	Shaft set	Lg 45 mm	1

15) Standard headroom monorail trolley 4/1



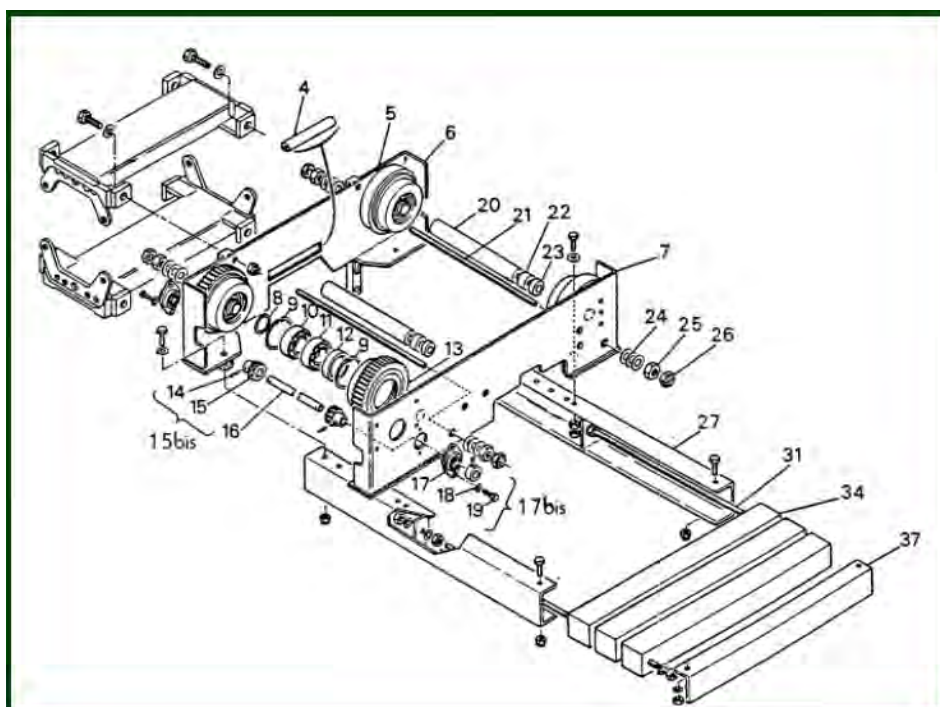
item	reference	description	observation	Quantity
1	3551313Y	Geared side plate with fitting	Sommier droit / Right end carriage	1
2	7273356X	MECANINDUS 6 x 30 pin		2
3	5833520H	Intermediate pinion	20 Dts / 20 th	2
3bis	25003001	Set of 2 pinions and pins	2+3	1
4	35015002	Jackshaft länge=450mm		1
4	35015004	Jackshaft länge=530mm		1
4	35015001	Shaft	L 400 mm	1
4	35015003	Shaft	L 500 mm	1
5	3551312X	Geared side plate complete		1
6	7153629J	Adjustment washer	Ep. / th 2mm	24
6	7153639V	Adjustment washer	Ep. / th 3 mm	80
7	7221360E	Nut		8
8	7223360D	PAL nut		8
9	7447100Z	Bearing PFT		2
9bis	25003003	Set of 1 shaft bearing with screw and washer	2+3+4+5	2
12	5441151V	Idler runner without fittings with axle	Ø 150 x 186	1
12	4551111K	Travel wheel		2
13	7261090Q	Interior circlip		8
14	7412101G	Bearing	Après / After 06 / 83	4
15	5451155U	Collar 82 x 89 x 12		4
16	7424080C	Bearing		4
17	7262040X	Exterior circlip		4
18	5243615G	Cap		4
19	5442116U	Collar	ép. /th. 25mm	8
19	5442117V	Collar	ép. /th. 50mm	8
20	5442102D	Spacer	Lg 370mm	4
20	5452102Y	Spacer	Lg 440mm	4
20	5452106C	Spacer	Lg 540mm	4
21	35031002	Type L crosshead		2
21	35031003	Type SL and UL crosshead		2
25	3551113F	Ungeared side plate		2
26	4551311B	Wheel motor		2
-	3553210K	Chain drive HPN		1
-	5441351V	Geared wheel only		1
-	25002070	Shaft set	Lg 45 mm	1

16) Standard headroom monorail trolley 6/1



item	reference	description	observation	Quantity
2	4551111K	Travel wheel		2
3	35031005	Crosshead		3
5	5451351G	Geared wheel only	180 x 216	5
5	4551311B	Wheel motor		5
6	5451151Q	Idler runner without fittings with axle	180 x 216	6
7	7261090Q	Interior circlip		7
8	7424080C	Bearing		8
9	5451155U	Collar 82 x 89 x 12		9
10	7412101G	Bearing	Après / After 06 / 83	10
11	7262040X	Exterior circlip		11
12	5243615G	Cap		12
13	3551113F	Ungeared side plate		13
13	5551113U	Ungeared side plate without fittings		2
14	7223360D	PAL nut		10
15	7221360E	Nut		10
16	7153629J	Adjustment washer	Ep. / th 2mm	1
16	7153639V	Adjustment washer	Ep. / th 3 mm	1
17	5442116U	Collar	ép. /th. 25mm	1
17	5442117V	Collar	ép. /th. 50mm	1
18	5442102D	Spacer	Lg 370mm	5
18	5452102Y	Spacer	Lg 440mm	5
18	5452106C	Spacer	Lg 540mm	5
22	35031004	Crosshead		1
-	25002071	Shaft set	Lg 62 mm	1

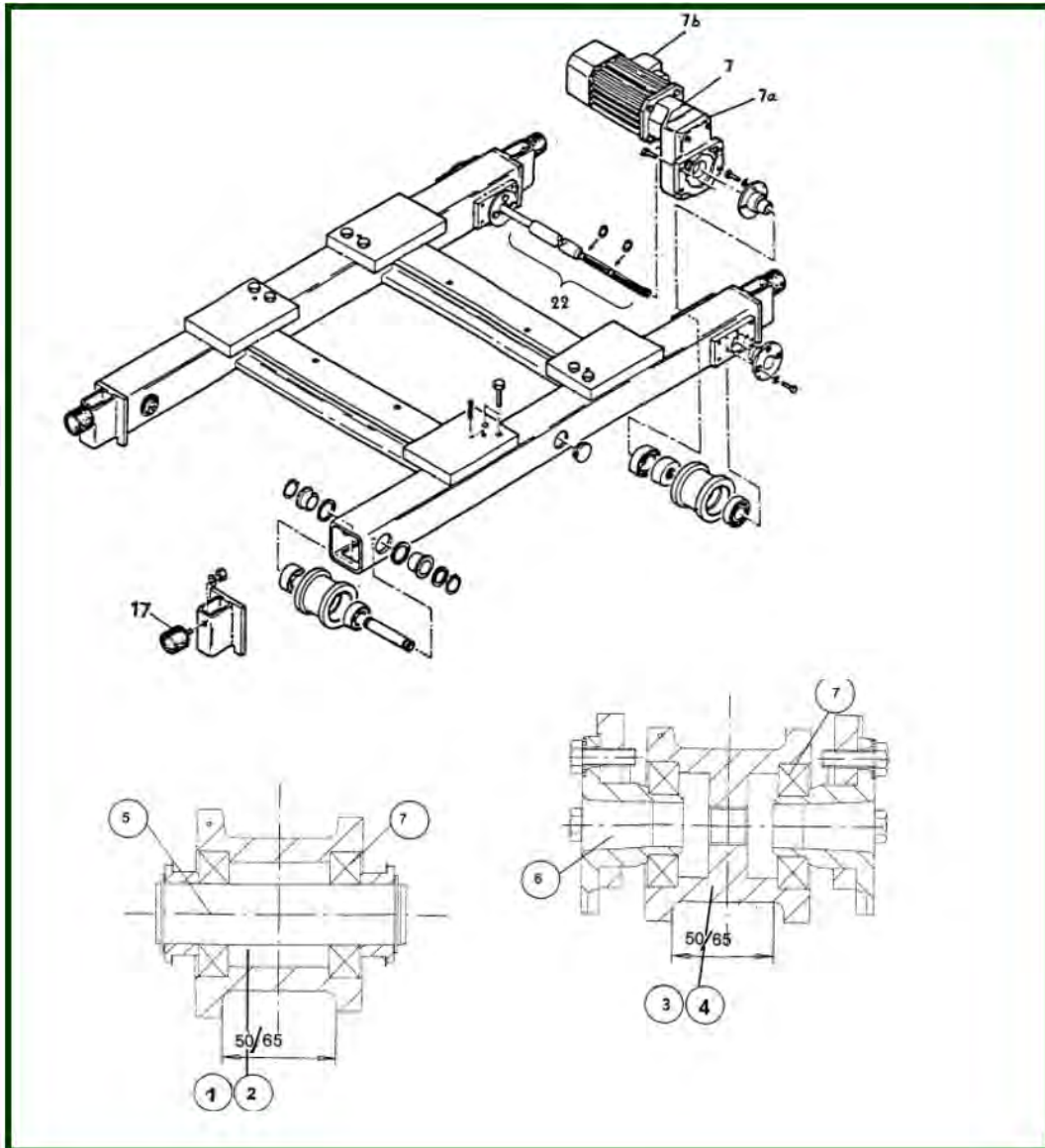
17) Reduced headroom monorail trolley 2/1-4/1



item	reference	description	observation	Quantity
4	31215001	Supporting sleeve for 4/1		1
5	5451151Q	Idler runner without fittings with axle	180 x 216	2
5	4551111K	Travel wheel		2
6	35025001	Idler frame plate L with axle		1
6	35001001	Idler frame plate L with fittings		1
6	35025003	Idler frame plate SL with axle		1
6	35001003	Idler frame plate SL with fittings		1
6	35025005	Idler frame plate UL with axle		1
6	35001005	Idler frame plate UL with fittings		1
7	35025002	Driven frame plate type L with axle		1
7	35001002	Driven frame plate type L with fittings		1
7	35025004	Driven frame plate type SL with axle		1
7	35001004	Driven frame plate type SL with fittings		1
7	35025006	Driven frame plate type UL with axle		1
7	35001006	Driven frame plate type UL with fittings		1
8	7262040X	Exterior circlip		4
9	7261090Q	Interior circlip		8
10	7412101G	Bearing	Après / After 06 / 83	4
11	7424080G	Bearing		4
12	5451155U	Collar 82 x 89 x 12		4
13	5451351G	Geared wheel only	180 x 216	2
13	4551311B	Wheel motor		2
14	7273356X	MECANINDUS 6 x 30 pin		2
15	5833520H	Intermediate pinion	20 Dts / 20 th	2
15bis	25003001	Set of 2 pinions and pins	2+3	1
16	35015002	Jackshaft länge=450mm		1
16	35015004	Jackshaft länge=530mm		1
16	35015001	Shaft	L 400 mm	1
16	35015003	Shaft	L 500 mm	1
17	7447100Z	Bearing PFT		2
17bis	25003003	Set of 1 shaft bearing with screw and washer	2+3+4+5	1
20	35018003	Sleeve	225 mm	2
20	35018004	Sleeve	320 mm	2

21	<u>5442102D</u>	Spacer	Lg 370mm	2
21	<u>5452102Y</u>	Spacer	Lg 440mm	2
21	<u>5452106C</u>	Spacer	Lg 540mm	2
22	<u>35018002</u>	Spacer collar thickness=50mm		2
23	<u>35018001</u>	Spacer collar thickness=25mm		2
24	<u>7153629J</u>	Adjustment washer	Ep. / th 2mm	1
24	<u>7153639V</u>	Adjustment washer	Ep. / th 3 mm	1
25	<u>7221360E</u>	Nut		4
26	<u>7223360D</u>	PAL nut		4
27	<u>35031010</u>	Set of girders		1
31	<u>35018005</u>	Counterweight locking bar		1
34	<u>31533001</u>	Counterweight type L		3
34	<u>31533002</u>	Counterweight type SL		3
34	<u>31533003</u>	Counterweight type UL		3
37	<u>35031011</u>	Girder cross-piece type L		1
37	<u>35031012</u>	Girder cross-piece type SL		1
37	<u>35031013</u>	Girder cross-piece type UL		1
37	<u>25002071</u>	Shaft set	Lg 62 mm	14

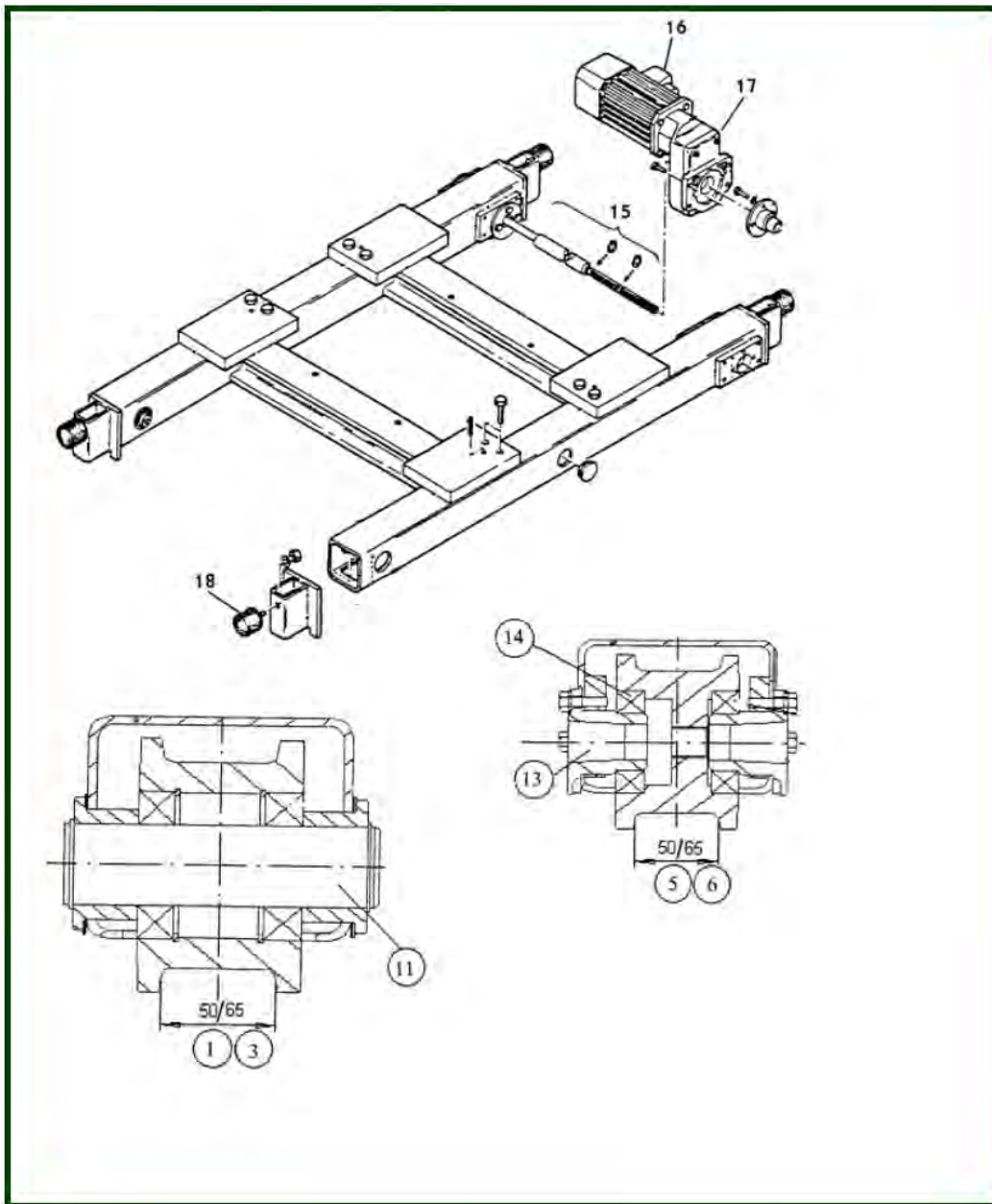
18) Crab frame SE3 1 and 2 falls



item	reference	description	observation	Quantity
1	15503003	Travel wheel set - ø 90 - G50	VS202/VP9 - VS302..F - VS402 A partir / Since 1999	1
2	15503006	Travel wheel set ø 90 - G65	VS202/VP9 - VS302..F - VS402 A partir / Since 1999	1
3	15503001	Driving wheel set - ø 90 -G50	VS302..F - VS402 A partir / Since 1999	1
4	15503005	Driving wheel set - ø 90 - G65	VS302..F - VS402 A partir / Since 1999	1
5	15503004	Complete shaft travel wheel	VP9	1
6	15503002	Bearling-flange set	VP9-VS302	1
7	7412072A	Complete bearing	VP9-VS302	2
7	25580003	Motor drive	380V - 16/4 m/mn	1
7	25580001	Motor drive	380V - 20/5 m/mn	1
7	25580002	Motor drive	380V - 25/6 m/mn	1
7a	25582010	Gearbox 16/4		1
7a	25582020	Gearbox 20/5		1
7a	25582030	Gearbox 25/6		1
7b	25508102	Motor 0,25-0,06Kw	220V	1
7b	25508103	Motor 0,25-0,06Kw	380V	1
7b	25509103	Motor 0,25-0,06Kw	380V avec sondes	1
7b	25508104	Motor 0,25-0,06Kw	415V	1
22	15520001	Drive shaft	0.9m	1
22	15520002	Drive shaft	1.4m	1

22	<u>15520003</u>	Drive shaft	2m	1
22	<u>15520006</u>	Drive shaft - Exterior motor	2m	1
22	<u>15520004</u>	Set of drive shaft 900 exterior motor		1
22	<u>15520005</u>	Set of drive shaft 1400 exterior motor		1

19) Crab frame SE3 4 falls



item	reference	description	observation	Quantity
1	25803003	Travel wheel set - ø 140 - G50	VS404 / VP14 VS502 VS504 < 16T	1
3	25803006	Travel wheel set - ø 140 - G65	VS404 / VP14 VS502 VS504 < 16T	1
5	25803001	Driving wheel set - ø 140 - G50	VS404 / VP14 - VS502 VS504 < 16T	1
6	25803005	Driving wheel set - ø 140 - G65	VS404 / VP14 - VS502 VS504 < 16T	1
11	25803007	Shaft travel wheel	VP14 - VS404 - VS502 - VS504 < 16T	1
13	25803002	Bearing flange set	VP14 - VS404 - VS502 - VS504 < 16T	1
14	7412112U	Bearing compl.	VP14 - VS404 - VS502 - VS504 < 16T	2
15	25501003	Drive shaft	VP14 - 0,9 m	1
15	25501005	Drive shaft	VP14 - 1,4 m	1
15	25501004	Drive shaft	VP14 - 1 m	1
15	25501007	Drive shaft	VP14 - 2,4 m	1
15	25501006	Drive shaft	VP14 - 2 m	1
16	25809303	Travelling motor MF07LB104+PTC-3000-750t/mn-380V 50Hz - 0.45/0.11kw avec sondes	Prise Wieland avant avril 1999 Wieland plug before april 1999	1
16	25518202	Travelling motor MF07ZB206-1500-500t/mn-220V 50Hz-0.37/0.10kw	Prise Wieland avant avril 1999 Wieland plug before april 1999	1

16	<u>25518204</u>	Travelling motor MF07ZB206-1500-500t/mn-415V 50Hz-0.37/0.10kw	Prise Wieland avant avril 1999 Wieland plug before april 1999	1
16	<u>25518203</u>	Travelling motor MF07ZB206-1500-500t/mn-380 400V 50Hz-0.37/0.10kw	Prise Wieland avant avril 1999 Wieland plug before april 1999	1
16	<u>25808302</u>	Travelling motor MF07LB104 3000-750t/mn-220V/50Hz - 0.45/0.11Kw	Prise Wieland avant avril 1999 Wieland plug before april 1999 GS332RPC : VS306 - GS315RPC : VS306 6,3T	1
16	<u>25808303</u>	Travelling motor MF07LB104 3000-750t/mn-380-400V/50Hz - 0.45/0.11KW	Prise Wieland avant avril 1999 Wieland plug before april 1999 GS332RPC : VS306 - GS315RPC : VS306 6,3T	1
16	<u>25808304</u>	Travelling motor MF07LB104 3000-750t/mn-415V/50Hz - 0.45/0.11KW	Prise Wieland avant avril 1999 Wieland plug before april 1999 GS332RPC : VS306 - GS315RPC : VS306 6,3T	1
17	<u>25883030</u>	Gear GS 350 RFB		1
17	<u>25883020</u>	Gear GS 363 RFB		1
18	<u>15503007</u>	Buffer set		4
-	<u>35520001</u>	Drive shaft 1,4m	VP25 POUR /FOR SE3 6 BRINS	1
-	<u>35520004</u>	Drive shaft 1m	VP25 POUR /FOR SE3 6 BRINS	1
-	<u>35520002</u>	Drive shaft 2m	VP25 POUR /FOR SE3 6 BRINS	1
-	<u>45803001</u>	Driving wheel set Groove 65	VP25 POUR /FOR SE3 6 BRINS	1
-	<u>45803003</u>	Idle wheel set Groove 65	VP25 POUR /FOR SE3 6 BRINS	1
-	<u>45803004</u>	Shaft travel wheel	VP25 POUR /FOR SE3 6 BRINS	1

20) Electrical equipment

item	reference	description	observation	Quantity
-	<u>7366403C</u>	2 speeds contact element	XENG1191	1
-	<u>7632422L</u>	Box casing with clamp 2 buttons	XAC A02	1
-	<u>7661915U</u>	Bull dog grip SIMPLEX		1
-	<u>7632412A</u>	Buttons with black gummi	XAC A9412	1
-	<u>7632413B</u>	Buttons with red gummi	XAC A9414	1
-	<u>7641109D</u>	Cable gland (9)	Câble rond	1
-	<u>7641111F</u>	Cable gland (11)	Câble rond	1
-	<u>7641113H</u>	Cable gland (13)	Câble rond	1
-	<u>7641116L</u>	Cable gland (16)	Câble rond	1
-	<u>7642029D</u>	Cable gland (21)	1 câble plat4x2.5 ²	1
-	<u>7642129N</u>	Cable gland (29)	1 câble plat 4x6 ²	1
-	<u>7642229W</u>	Cable gland (29)	1 câble plat 8x1.5 ²	1
-	<u>7642329E</u>	Cable gland (29)	2câbles plats 4x6 ²	1
-	<u>7642429P</u>	Cable gland (29)	2 câbles plats 8x1.5 ²	1
-	<u>7641129A</u>	Cable gland (29)	Câble rond	1
-	<u>7642536E</u>	Cable gland (36)	1 câble plat 4x16 ²	1
-	<u>7642236D</u>	Cable gland (36)	1câbleplat 12x1,5 ²	1
-	<u>7641136H</u>	Cable gland (36)	Câble rond	1
-	<u>7642648B</u>	Cable gland (48)	1 câble plat 4x25 ²	1
-	<u>7648109N</u>	Cap nut (9)		1
-	<u>7648111Q</u>	Cap nut (11)		1
-	<u>7648113S</u>	Cap nut (13)		1
-	<u>7648116V</u>	Cap nut (16)		1
-	<u>7648121A</u>	Cap nut (21)		1
-	<u>7648129J</u>	Cap nut (29)		1
-	<u>7648136S</u>	Cap nut (36)		1
-	<u>7532526D</u>	Contacteur ON/OFF	LC1D65E7	1
-	<u>8812052T</u>	Control cable	5x1.5mm ²	1
-	<u>8812152B</u>	Control cable	16x1,5 mm ²	1
-	<u>7581712S</u>	Earth M16/12		1
-	<u>7581720A</u>	Earth M35/16P		1
-	<u>7581715V</u>	Earth MS4/6		1
-	<u>7581719Z</u>	Earth MS6/8P		1
-	<u>7575300X</u>	Fuse 1A		1
-	<u>7575306D</u>	Fuse 6AM		1
-	<u>7575310H</u>	Fuse 10AM		1
-	<u>7576420Q</u>	Fuse 20AM		1
-	<u>7576425V</u>	Fuse 25AM		1
-	<u>7576440L</u>	Fuse 40AM		1
-	<u>7577263F</u>	Fuse 63AM		1
-	<u>7573761Z</u>	Fuse carrier	DK1FB23	1
-	<u>7573751P</u>	Fuse carrier GK1EV		1
-	<u>7573242K</u>	Fuse support	BC31	1
-	<u>7578021E</u>	Fuse support	GB2CD07	1
-	<u>7641121S</u>	Gland 21	Câble rond	1
-	<u>7581725F</u>	Gland diam :30		1
-	<u>7531623X</u>	Interlocked contactor	LC2D803E	1
-	<u>7531023V</u>	Interlocked contactor	LC2EC09E	1
-	<u>7531122C</u>	Interlocked contactors 400V/48V - LC2D129E	AK1-AK2 - Moteur/Motor P1-P2-P3-N1-N2	1
-	<u>7531325Y</u>	Interlocked contactors 400V/48V - LC2D259E	AK1-AK2 Moteur/Motor P5	1
-	<u>7634431V</u>	Label - Off	ZB2BY2931	1
-	<u>7532331A</u>	Main contactor	LC1D32E7	1
-	<u>7532426V</u>	Main contactor - 400V/ 48V - LC1D403E7	Moteur / Motor P6 - O-K1	1

-	<u>36126001</u>	Mouting plate for electric équipement		1
-	<u>7633401A</u>	One step control part low voltage control with 1 « F » contact	ZB2 BE101	1
-	<u>7633402B</u>	One step control part low voltage control with 1 « O » contact	ZB2 BE102	1
-	<u>8812202F</u>	Pendant cable without green / yellow	20x1,5 mm ²	1
-	<u>7521111W</u>	Rectifier	Frein / Brake 24V	1
-	<u>7535214A</u>	Relay	LT25A30E	1
-	<u>7535414T</u>	Relay FINDER	48V	1
-	<u>7632401P</u>	Rubber protection cover	XAC A960	1
-	<u>7634416D</u>	Sticker backward	ZB2BY2916	1
-	<u>7634417E</u>	Sticker backward high speed	ZB2BY2917	1
-	<u>7634418F</u>	Sticker backward slow speed-high speed	ZB2BY2918	1
-	<u>7634404R</u>	Sticker down	ZB2BY2904	1
-	<u>7634405S</u>	Sticker down high speed	ZB2BY2905	1
-	<u>7634406T</u>	Sticker down slow speed-high speed	ZB2BY2906	1
-	<u>7634413A</u>	Sticker forward	ZB2BY4913	1
-	<u>7634414B</u>	Sticker forward high speed	ZB2BY4914	1
-	<u>7634415C</u>	Sticker forward slow speed-high speed	ZB2BY4915	1
-	<u>7634410X</u>	Sticker left	ZB2BY2910	1
-	<u>7634411Y</u>	Sticker left high speed	ZB2BY2911	1
-	<u>7634412Z</u>	Sticker left slow and high speed	ZB2BY2912	1
-	<u>7634430U</u>	Sticker ON	ZB2BY4930	1
-	<u>7634435Z</u>	Sticker ON-ALARM	ZB2BY4935	1
-	<u>7634407U</u>	Sticker right	ZB2BY4907	1
-	<u>7634408V</u>	Sticker right high speed	ZB2BY4908	1
-	<u>7634409W</u>	Sticker right slow speed-high speed	ZB2BY4909	1
-	<u>7634401N</u>	Sticker UP	ZB2BY4901	1
-	<u>7634402P</u>	Sticker UP high speed	ZB2BY4902	1
-	<u>7634403Q</u>	Sticker UP slow speed-high speed	ZB2BY4903	1
-	<u>16126002</u>	Support bracket FINDER		1
-	<u>7513332R</u>	Transformer 63VA	380-420-500/48V	1
-	<u>7513532H</u>	Transformer 63VA	440-460-480/48V	1
-	<u>7514032B</u>	Transformer 100VA	220/48V	1
-	<u>7514332C</u>	Transformer 100VA	380-420-500/48V	1
-	<u>7514532V</u>	Transformer 100VA	440-460-480/48V	1
-	<u>7532122Q</u>	Two speeds selection contactor	LC1D128E	1
-	<u>7532021E</u>	Two speeds selection contactor	LC1EC08E	1
-	<u>7531423E</u>	Up and down contactor 400V/48V - LC2D403E	Moteur / Motor P7 - AK1-AK2	1