

SPARE PARTS CATALOGUE - SM02

To avoid errors, when ordering please specify:

- Complete type of hoist
- Date of manufacture and serial number
- Spare part code
- Spare part designation
- Additional information


0) DESCRIPTION

- 1) HOISTING MOTOR AND CASING
- 2) MECHANISM AND BRAKE
- 3) LIFTING ASSEMBLY
- 4) ELECTRIC CUBICLE FOR A VERSION


0) DESCRIPTION

Capacité de charge Load capacity	Type de palan Type of hoist	Modèles Models	Nombre de brins Numbers of falls	Type de chaîne Type of chain
250 kg	SM2 254M1	A	1	4x12

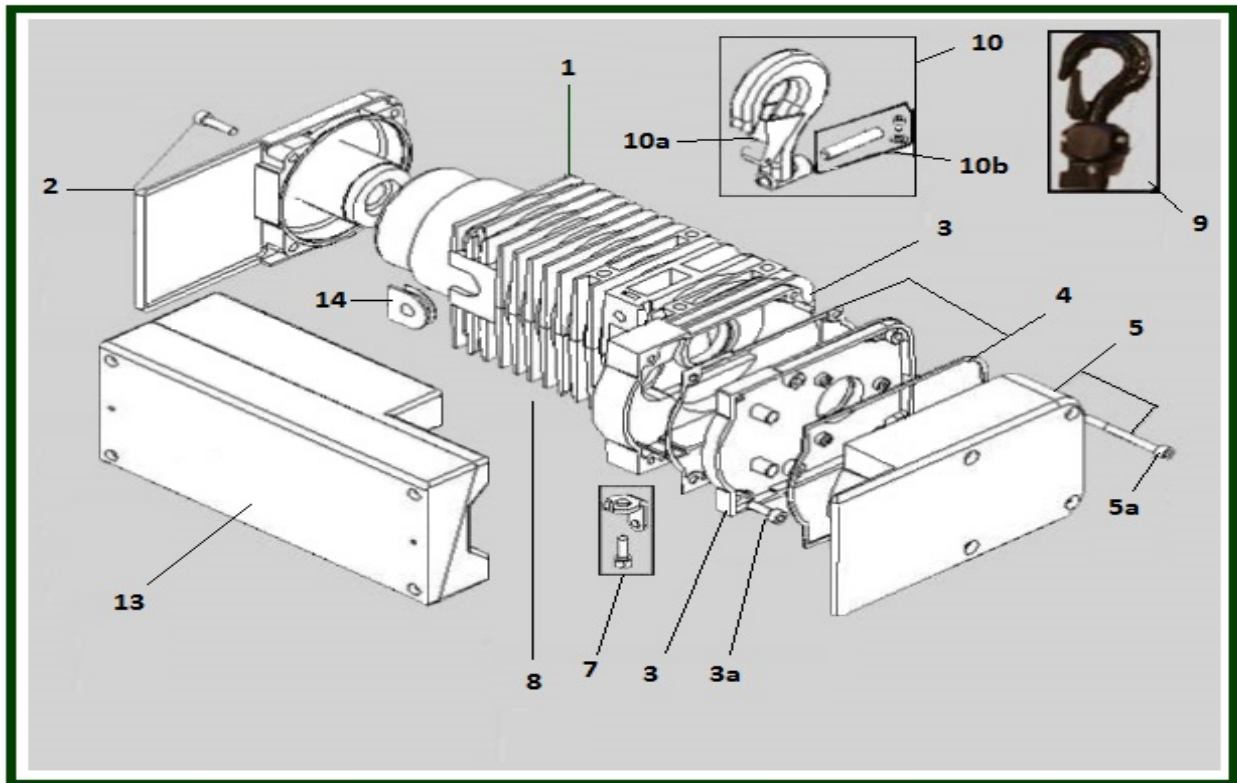
A version in inverted position



A version in normal position

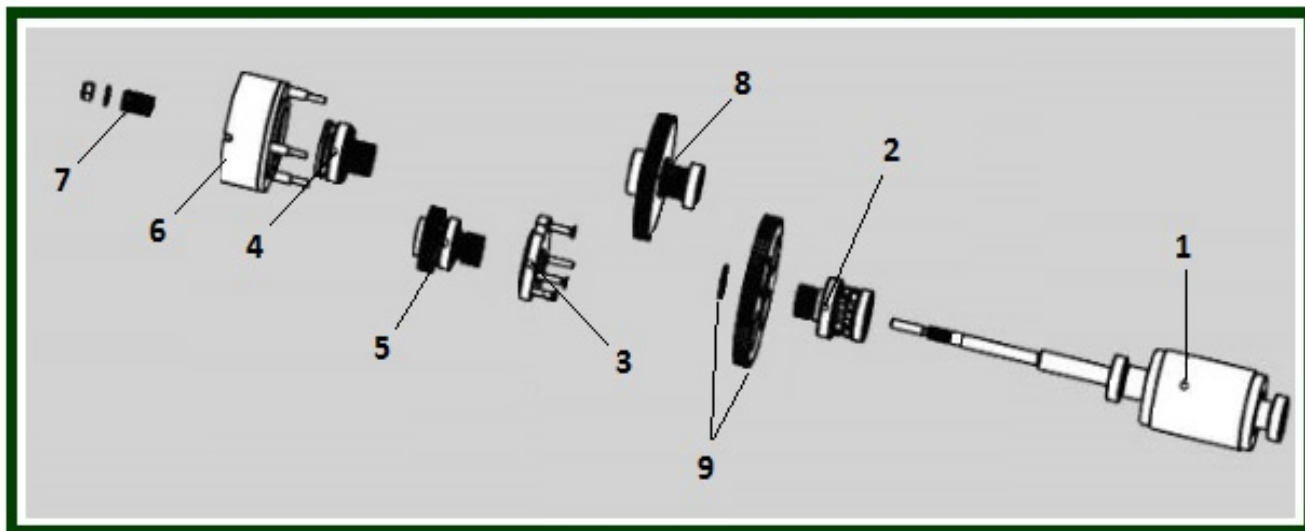


1) HOISTING MOTOR AND CASING



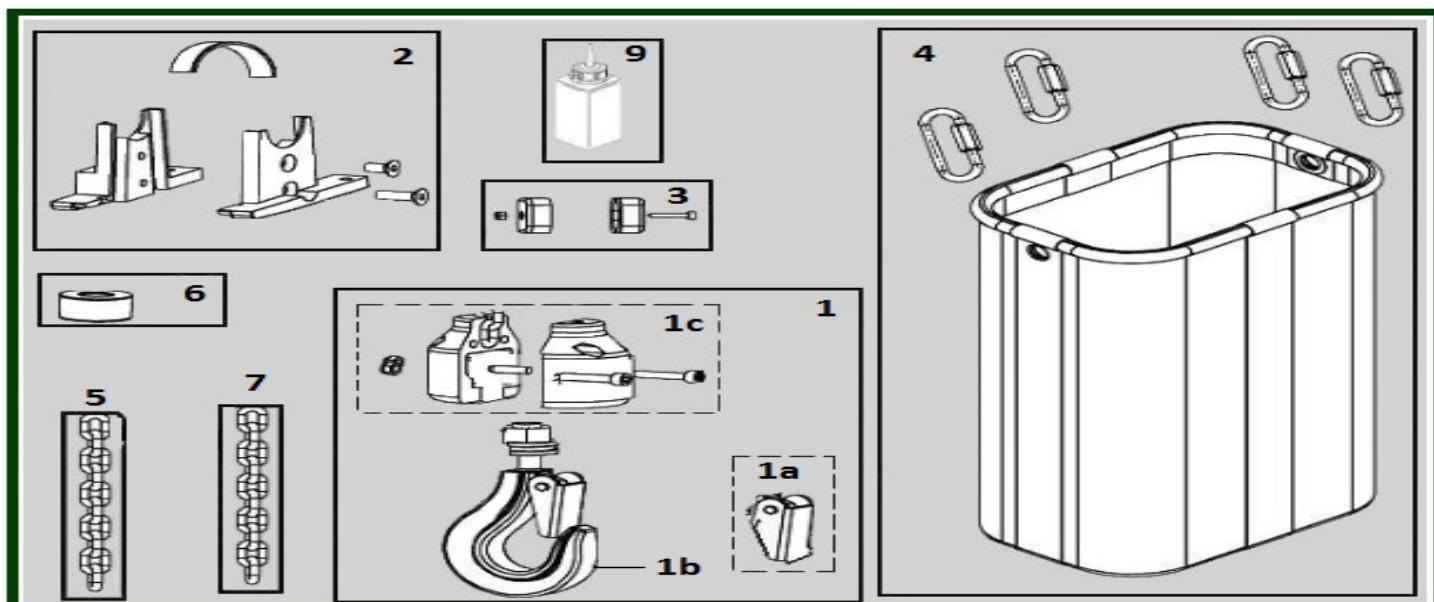
ITEM	REFERENCE	DESCRIPTION
1	2218051	Casing assembly with stator-2 speeds 230V - 50Hz - 3Ph - 2/8 poles
1	2218050	Casing assembly/stator-2 speeds 400-460V-50 60Hz-3Ph-2/8 poles
2	2218055	Motor end cap assembly
3	2218057	Brake mounting flange assembly
3a	7215353A	CHC screw 6X16
4	2218058	Gearbox seal and brake casing seal
5	2218056	Brake casing assembly
5a	52253667	CHC screw 6x55 (quantity x 4)
6	52329273	SM2 Marking
7	2218000	Button box fastening bracket
8	2219918	Set of 10 load plates – Hoist 250 kg
9	52371406	Swivelling hook Type A since V47108
10	2218060	Suspension hook assembly - Perpendicular mounting Type A up to Dec. 2007
10a	2212016	Safety latch - 1 fall Steel plate type
10b	52371300	Hook suspension shaft set for fixed and swivelling hook
-	52321501	Set of handles – set of 2

2) MECHANISM AND BRAKE



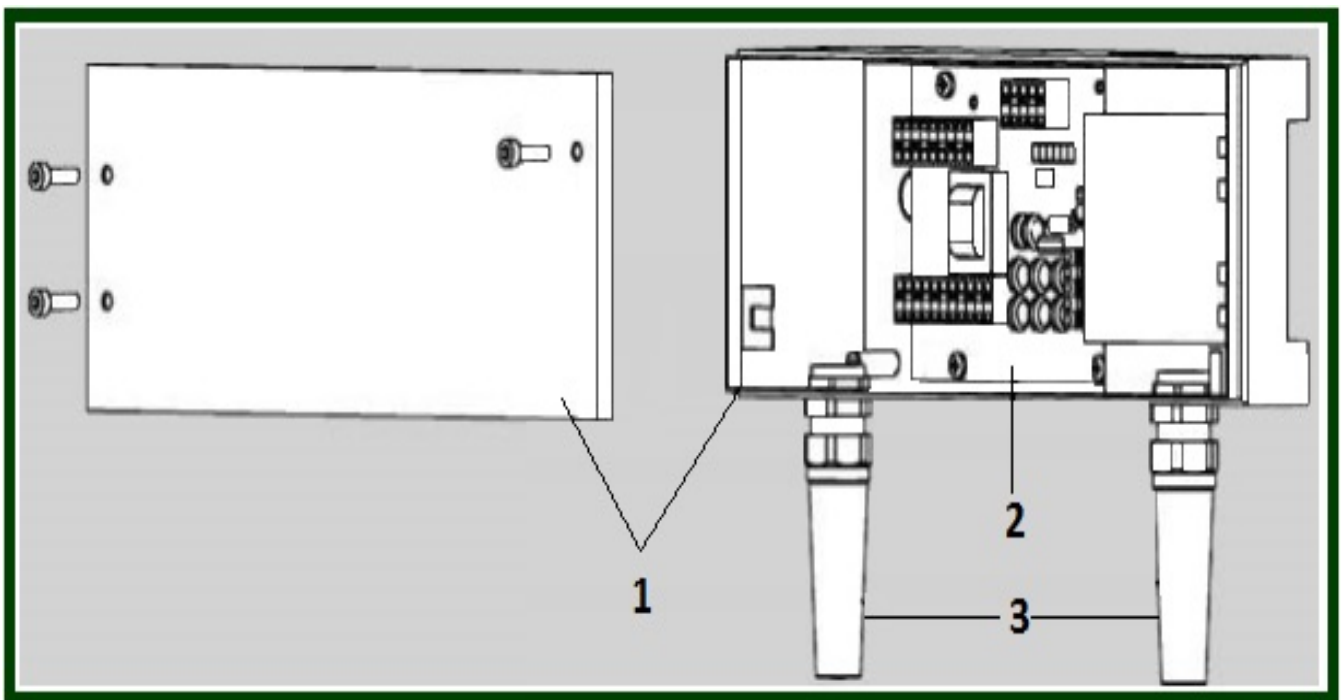
ITEM	REFERENCE	DESCRIPTION
1	52328299	Rotor
2	52328297	Chain sprocket assembly
3	52371301	Pinion support 1 step
4	52330765	Clutch set
5	52328308	Gear assembly 4m/min 1 step
6	2218031	Complete brake 100V 230V
6	2218030	Complete brake 190V 400V
7	2218044	Limiter spring assembly
8	52328298	Gear assembly 2 step
9	52371302	Gear wheel set

3) LIFTING ASSEMBLY



ITEM	REFERENCE	DESCRIPTION
1	52328303	Lifting hook block 1 fall
1a	2212016	Safety latch - 1 fall Steel plate type
1b	2212011	Lifting hook - Standard type 1 fall
1c	52328305	Set of 2 half-casings with axle and screws
2	52330761	Upper and lower chain guide
3	52328304	Slack fall stop assembly
4	52333407	Chain bag C140m-C5 20 m with carabiner version A - since May 2006
5	52328290	Load chain-4x12 (When changing chain, using chain link is mandatory)
6	52328580	Rubber buffer stop
7	52330778	Load chain mounting tool X links
9	9995008	Can of oil for chain for chain 125ml
10	52333915	Support piece
-	52341157	False link
-	2218023	Set of 10 load plates – Hoist 250kg 2 falls

4) ELECTRIC CUBICLE FOR A VERSION



ITEM	REFERENCE	DESCRIPTION
1	52328295	SM2 cubicle (Version A only)
2	834176	ACF PC Board (Version A only)
4	52333247	Spiral cable gland (2 pieces)