

SPARE PARTS CATALOGUE - SM5 NEW AFTER 2003

To avoid errors, when ordering please specify:

- Complete type of hoist
- Date of manufacture and serial number
- Spare part code
- Spare part designation
- Additional information

0) DESCRIPTION

- 1) HOISTING MOTOR AND CASING
- 2) MECHANISM AND BRAKE
 - 2.1) Double break specific parts
- 3) LIFTING ASSEMBLY
- 4) ELECTRIC CUBICLE FOR A VERSION

0) DESCRIPTION

Capacité de charge <i>Load capacity</i>	Type de palan <i>Type of hoist</i>	Modèles <i>Models</i>	Nombre de brins <i>Number of falls</i>	Type de chaîne <i>Type of chain</i>
125 KG	SM5 124M2	D	1	4.8 X 12.5
	SM5 128M2			
250 KG	SM5 254M2	A,B,C,D,E		
	SM5 258M2			
	SM5 2516M1			
500 KG	SM5 504M1	A,B,C,E		
	SM5 508M1			
	SM5 504M2	D		

Inverted :
Version A (std) or Version B,C,D,E (option)

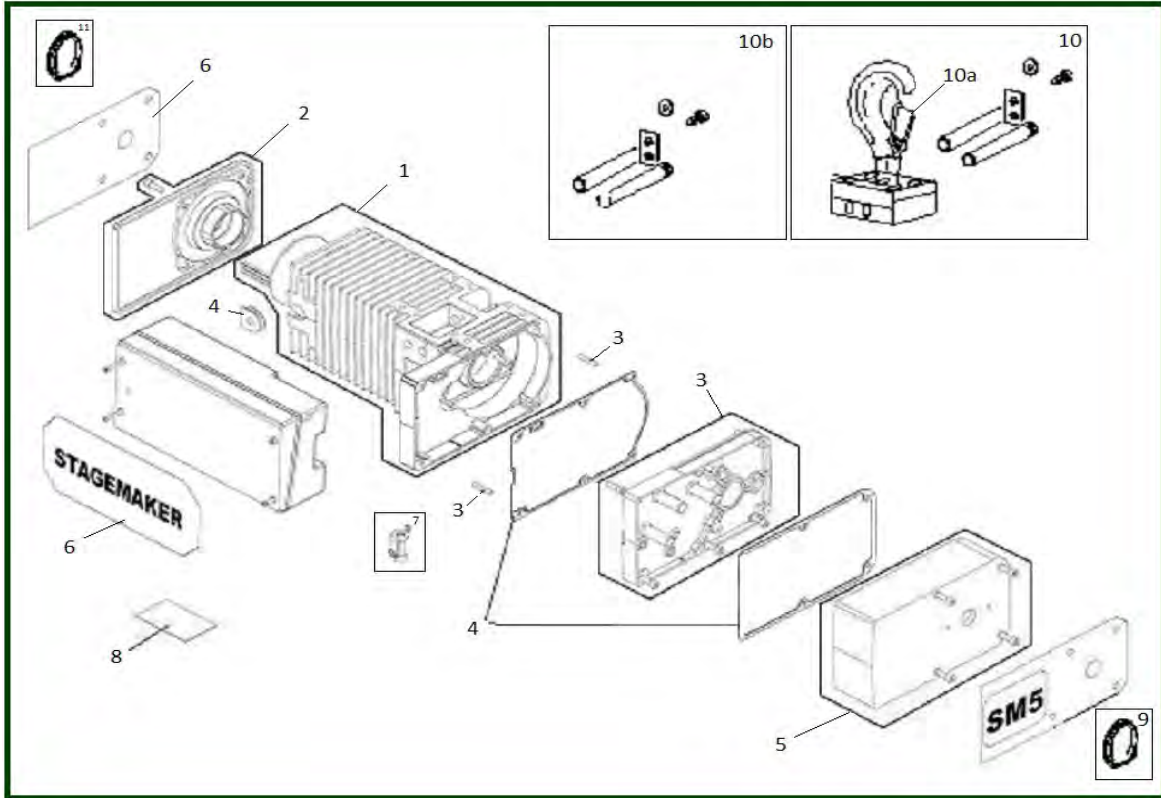


Normal :
Version B,C,D,E (Std) or version A (option)



1) HOISTING MOTOR AND CASING

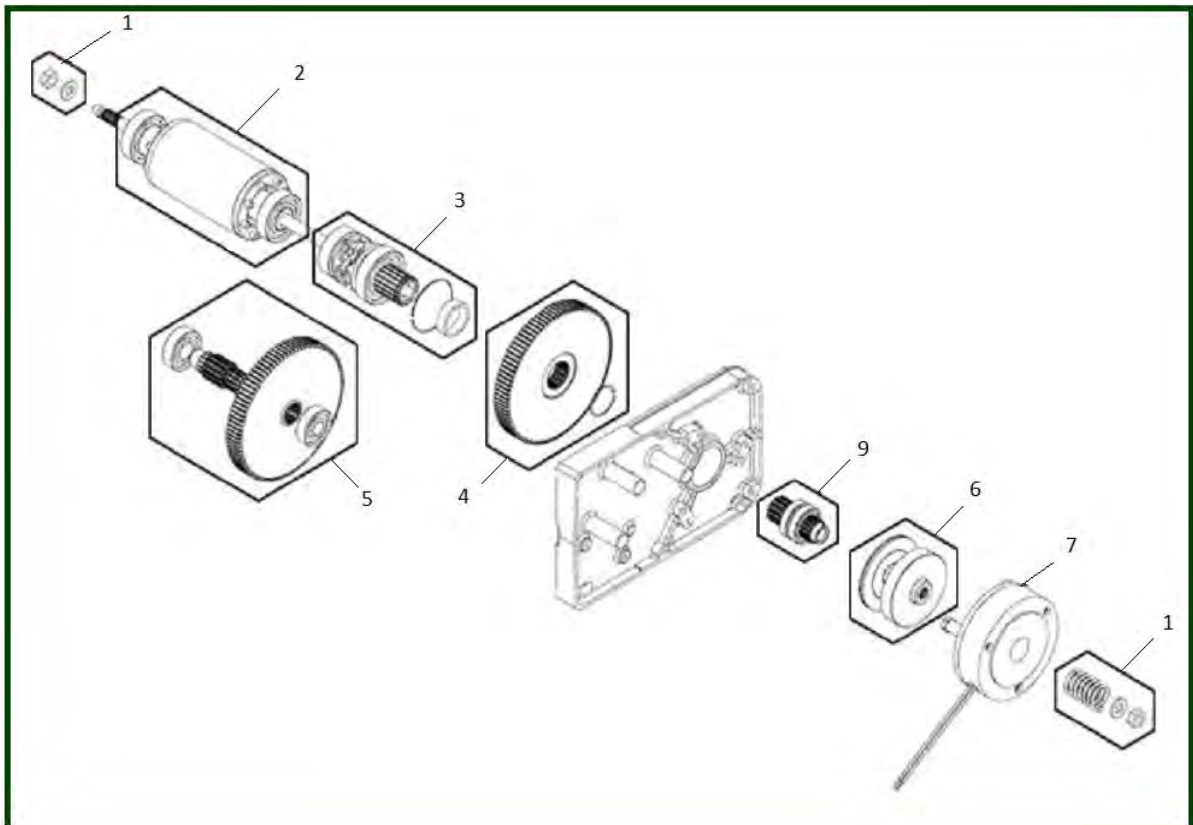
(*) Used for single speed/ 8m/mn 1 fall or 4m/mn 2 falls



ITEM	REFERENCE	DESCRIPTION
1	52308697	Casing assembled with stator - 230V 50Hz 3PH.2&8P
1	52308704	Casing assembled with stator - 230V 50Hz BIM.2&8P
1	52308702	Casing assembled with stator - 230V 50Hz mono
1	52308699	Casing assembled with stator - 230V 60Hz 3PH.2&8P
1	52308705	Casing assembled with stator - 230V 60Hz BIM.2&8P
1	52308710	Casing assembled with stator - 230V 400V 60Hz BIM.4P
1	52308709	Casing assembled with stator - 230V 460V 60Hz BIM.2P
1	52308696	Casing assembled with stator - 400V 50Hz 3PH.2&8P
1	52308707	Casing assembled with stator - 400V 50Hz BIM.4P
1	52308701	Casing assembled with stator - 400V 50Hz mono
1	52308698	Casing assembled with stator - 400V 60Hz 3PH.2&8P
1	52308703	Casing assembled with stator - 400V 60Hz BIM.2&8P
1	52308706	Casing assembled with stator - 500V 50Hz 2V BIM
1	52308700	Casing assembled with stator - 500V 50Hz 3PH.2&8P
1	52308708	Casing assembled with stator - 500V 50Hz 3PH.2&8P
2	52308741	Motor flange assembly
3	52308742	Gear cover set

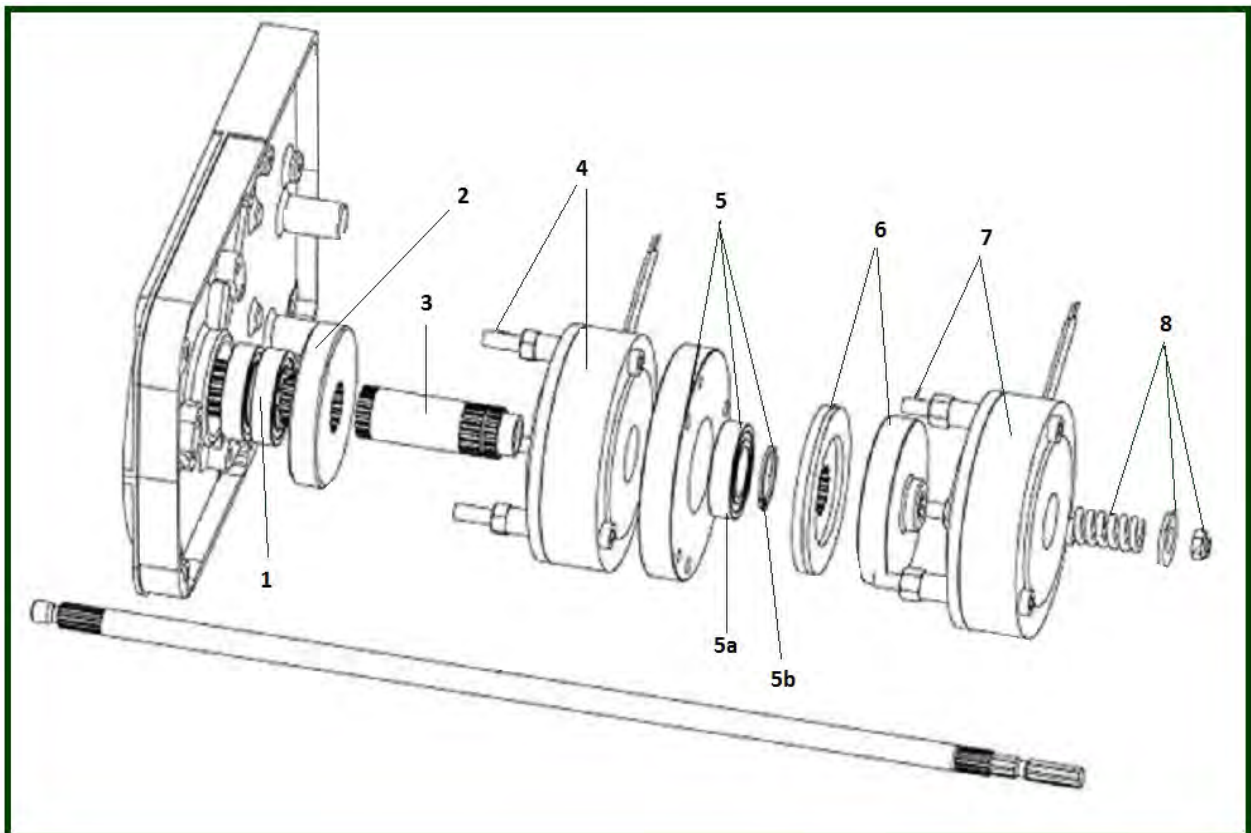
4	52308768	Set of seals
5	52308747	Brake cover set
5	52340760	Double brake housing module
6	52311213	SM5 marking assembly
7	2218000	Button box fastening bracket
8	2219938	Set of 10 load plates – Hoist - 125 kg
8	2219918	Set of 10 load plates – Hoist - 250 kg
8	2219920	Set of 10 load plates – Hoist - 500 kg
9	52283279	Cap - Brake side
10	52316782	Rotating hook assembly kit Type A (B,C,D,E)
10a	2212017	Safety latch - Steel plate type – 1 Fall
10b	2257020	Hook suspension shaft set
11	2218001	Plastic plug
-	52334562	Canvas rain cover
-	52308744	Cap - Brake side
-	2257018	Handle set

2) MECHANISM AND BRAKE



ITEM	REFERENCE	DESCRIPTION
1	2211016	Clutch spring set
2	52305652	Rotor Assembly
3	52305659	Chain sprocket assembly
4	52305473	Gear wheel set-8 m/mn
4	52308850	Gear wheel set-16 m/mn
5	52308771	Gear assembly-8 m/mn
5	52315180	Gear assembly-16 m/mn
6	52308772	Clutch set- Higher than 125 kg - 1 fall
7	52305488	Brake-100VDC/230VAC
7	52305489	Brake-190VDC/400VAC
7	52305490	Brake-230VDC/500V-575VAC
8	52305461	Motor shaft
9	52305658	Pinion set

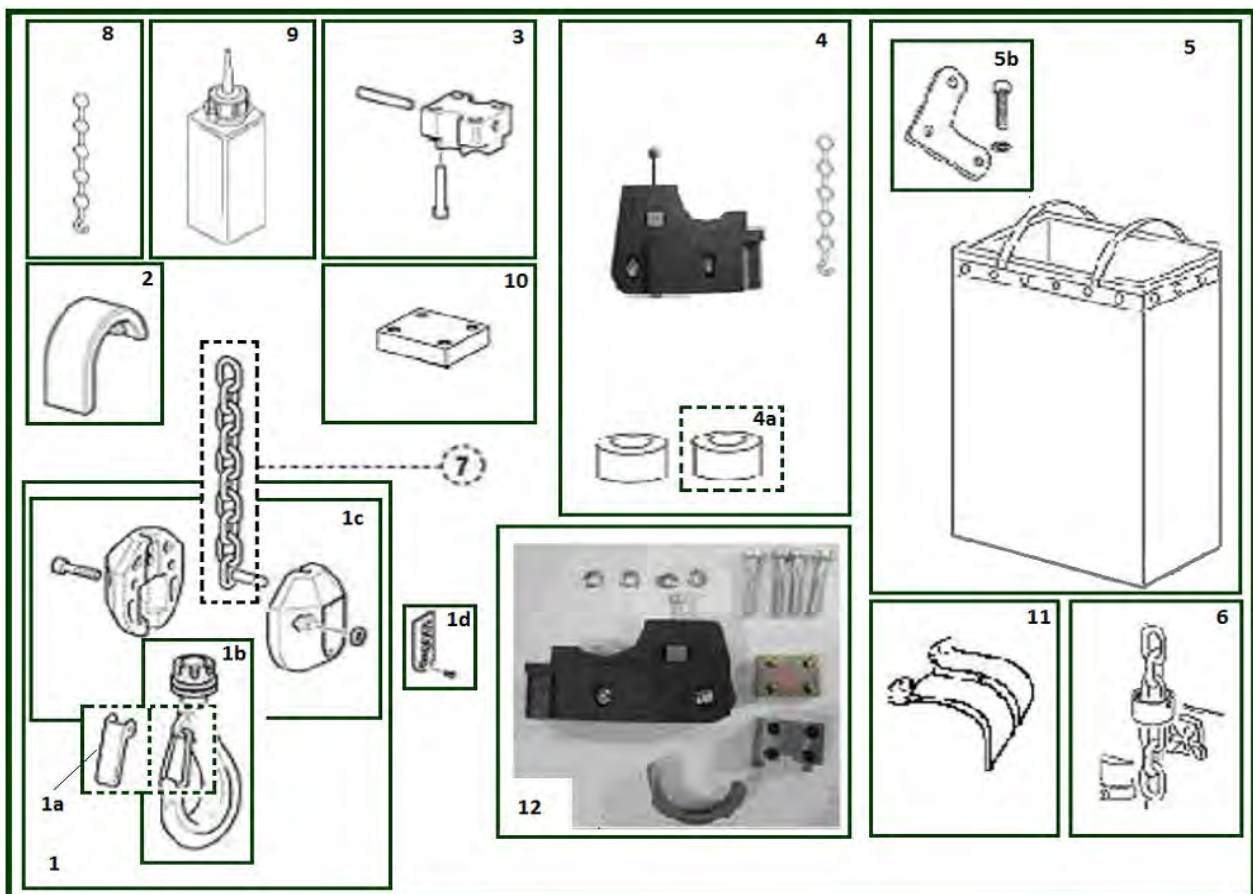
2.1) DOUBLE BREAK SPECIFIC PARTS



ITEM	REFERENCE	DESCRIPTION
1	52310083	Double brake assembly
2	52305514	Load limiter disc for double brake
3	52305516	Load limiter shaft

4	52340473	Brake-100VDC/ 230VAC
4	52340472	Brake-190VDC/ 400VAC
4	52340474	Brake-240VDC/ 500-575VAC
5	52340475	Second brake support plate/ bearing + circlip
5a	52253277	Bearing
5b	830660	Circlip 20E
6	52308772	Clutch set- Higher than 125 kg - 1 fall
7	52340470	Brake-100VDC/ 230VAC
7	52340469	Brake-190VDC/ 400VAC
7	52340471	Brake-240VDC/ 500-575VAC
8	2211016	Clutch spring set
9	52305512	Double brake motor shaft

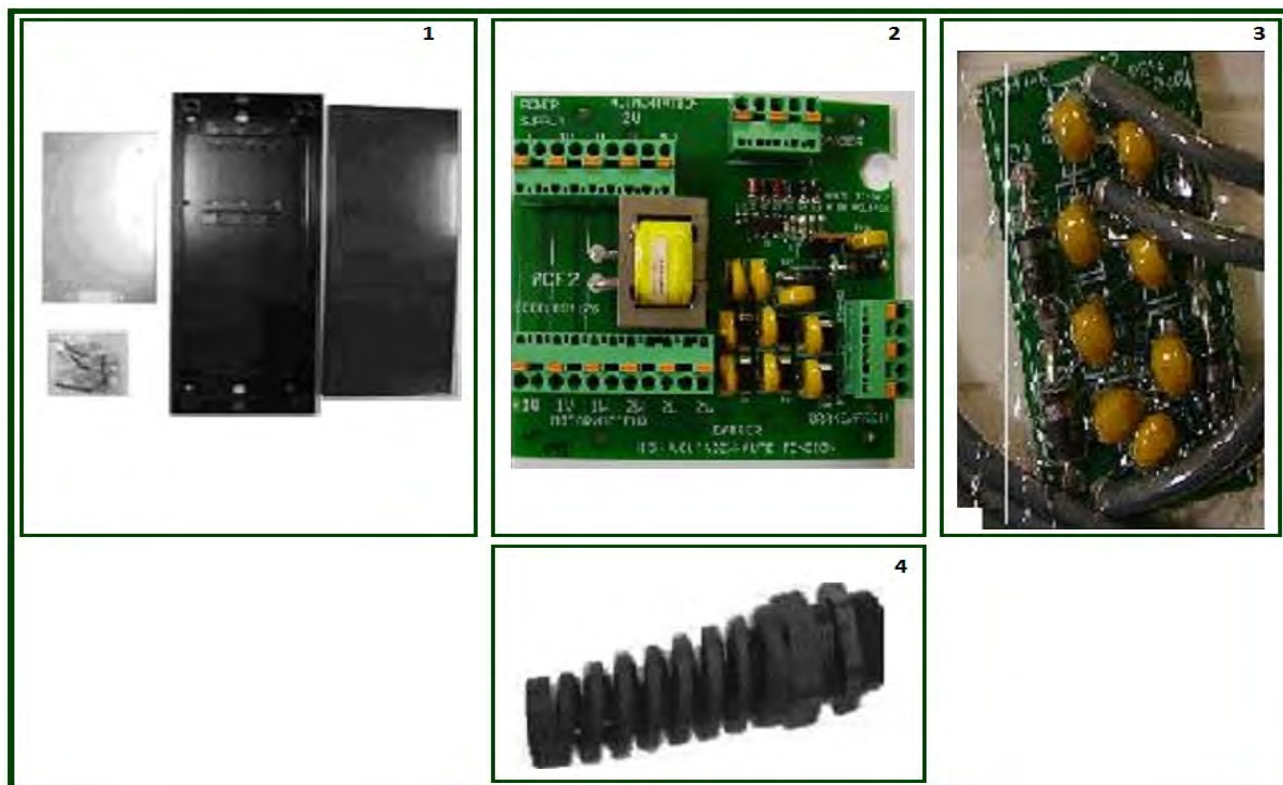
3) LIFTING ASSEMBLY



ITEM	REFERENCE	DESCRIPTION
1	52293142	Fall lifting hook block - Standard type
1a	2212017	Safety latch - Steel plate type-1 fall
1b	2257006	Fall lifting hook - Standard type
1c	52318801	Set of 2 half-casings with axle and screws

1d	2219919	Set of 10 load plates-320 kg
1d	2219937	Set of 10 load plates - 1 fall-125 kg
1d	2219907	Set of 10 load plates - 1 fall-250 kg
1d	2219909	Set of 10 load plates - 1 fall-500 kg
1d	2219917	Set of 10 load plates – Hoist-160 kg
1d	2219921	Set of 10 load plates – Hoist-630 kg
1d	2219922	Set of 10 load plates – Hoist-1000 kg
2	2214011	Upper chain guide
3	52309350	Chain anchor assembly
4	52391768	Chainflux chain guide set- Version A
4a	52305498	Rubber buffer x 2
5	52333407	Chain bag- C/40m-C5/20m with carabiner version A-since May 2006
5	52311223	Chain bag - 40 m- With carabiner version A
5	52328054	Chain bag - 50 m- With carabiner version A or 1 (B, C, D, E)
5b	52306044	Fixing plate set- With carabiner version A
6	2211050	Slack fall stop assembly
7	52322933	Load chain - Black type 4.8x12.5
8	2211045	Load chain mounting tool
9	9995008	Can of oil for chain -125 ml
10	52305497	Rope anchor - only to modify the hoist 2/1
11	NC(5)	External chain guide - replaced by 52309591
12	52319865	Repair kit for SM5- When lugs on housing are broken

4) ELECTRIC CUBICLE FOR A VERSION



ITEM	REFERENCE	DESCRIPTION
1	52340064	Empty aluminium. cubicle with seal
1	52305931	Metal cubicle set-For A type hoist to 4/10/2004 & E
2	834176	ACF PC Board - For A type hoist (direct voltage)
3	2243060	STD rectifier 230575V-C05-C25 STD hoist E (direct voltage)
4	52283994	Spiral cable gland
-	52293328	Filter for encoder bearing
-	52292671	Red power supply plug 3P+ E – A type hoist