

SPARE PARTS CATALOGUE - SR02

To avoid errors, when ordering please specify:

- Complete type of hoist
- Date of manufacture and serial number
- Spare part code
- Spare part designation
- Additional information



1) FRAME

1.1) Rotary hook

1.2) Fixed hook

2) CHAIN GUIDE 4X11 + HOOK

2.1) Inverted version

2.2) Industrial version

3) GEAR

3.1) 4-8 m / min - Standard limit switch

3.2) 4-8 m / min - Geared limit switch

3.3) 16 m / min - Standard limit switch

3.4) 16 m / min - Geared limit switch

4) MOTOR

4.1) Single brake

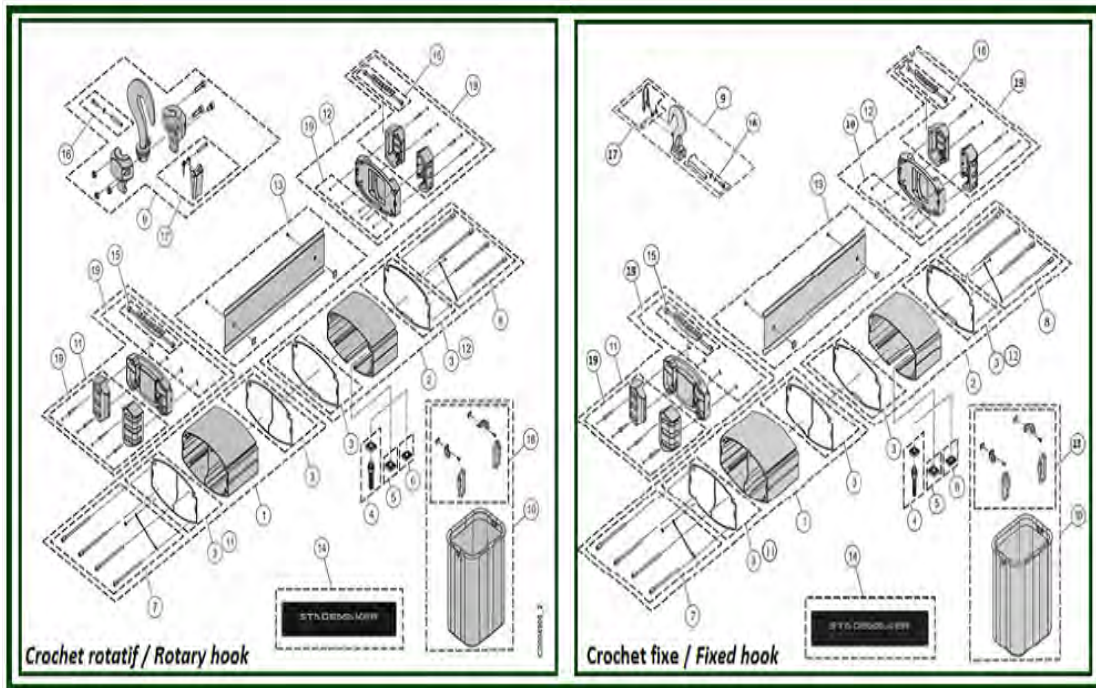
4.2) Double brakes

5) ELECTRICAL PARTS

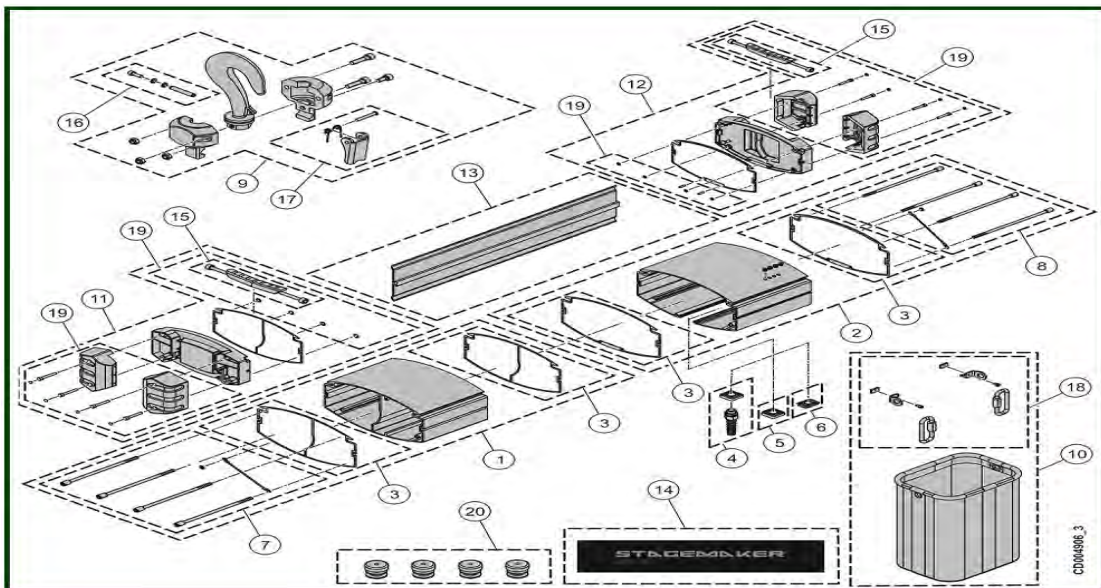
5.1) Version A

5.2) Version B

1) FRAME



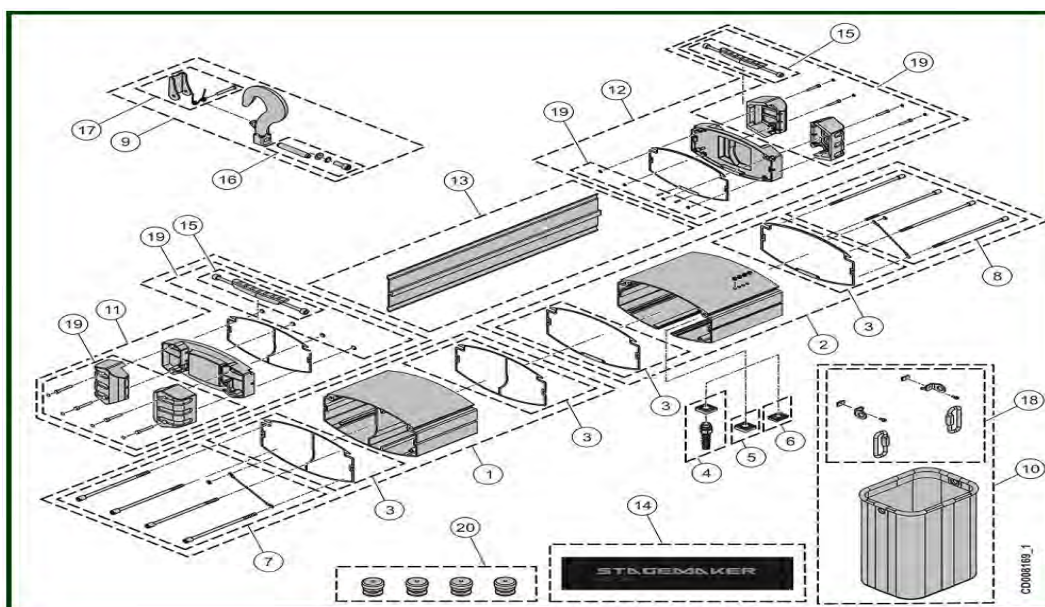
1.1) ROTARY HOOK



ITEM	REFERENCE	DESCRIPTION
1	VT0004868	Frame - Motor side Single brake
2	VT0006975	Frame - Brake side Double brakes + Gear Limit Switch 2 or 4
2	VT0006974	Frame - Brake side Single brake + Gear Limit Switch 2 or 4
3	VT0004542	Seal set
4	VT0007033	Cable gland set with square cable entry PE ISO 25
5	VT0006383	End cap with square cable entry ISO 25
6	VT0006384	End cap + Long set
7	VT0006279	Screw set M6L155 - Motor side single brake

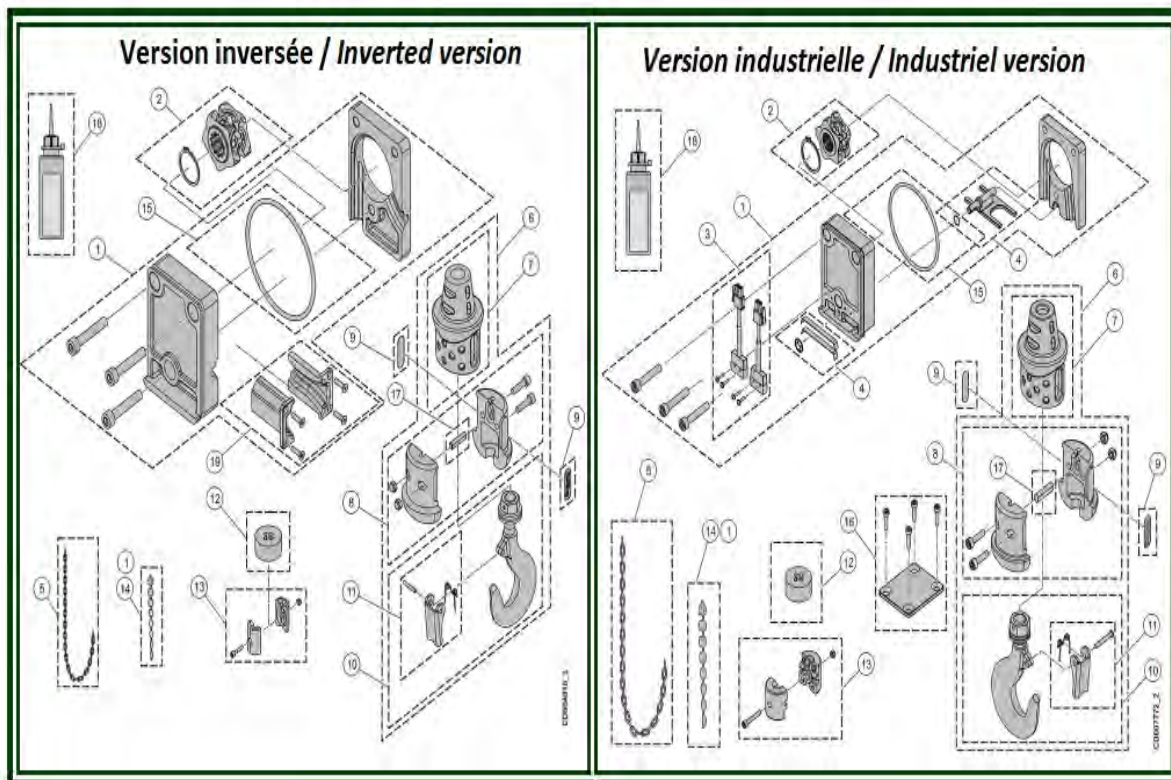
8	VT0006278	Screw set M6L127-Brake side Single brake+Gear Limit Switch 2
8	VT0006912	Screw set M6L180 - Brake side Single brake
9	VT0006027	Rotary hook
10	VT0004544	Chain bucket 6 m
10	VT0006284	Chain bucket 16 m
10	VT0006667	Chain bucket 35 m
10	VT0005990	Chain bucket 40 m - SR2
11	VT0006182	Cover set - Motor side
12	VT0006183	Cover set - Brake side
13	VT0006994	Housing Double brakes
13	VT0006993	Housing Single brake
14	VT0006039	Sticker – Brand Double brakes
14	VT0005994	Sticker – Brand Single brake
15	VT0006030	Set of 2 rubber handles Single/Double Brakes
16	VT0004539	Shaft set
17	VT0005901	Hook assembly Standard
18	VT0004547	Fixing set - Chain bucket 6 m - 16 m - 35 m
18	VT0006028	Fixing set - Chain bucket 40 m
19	VT0006029	1 handle + protection set
20	VT0006090	Set of 4 plug set
-	VT0006026	Identification plate – Motor Serial number required
-	VT0006995	Rain cover

1.2) FIXED HOOK

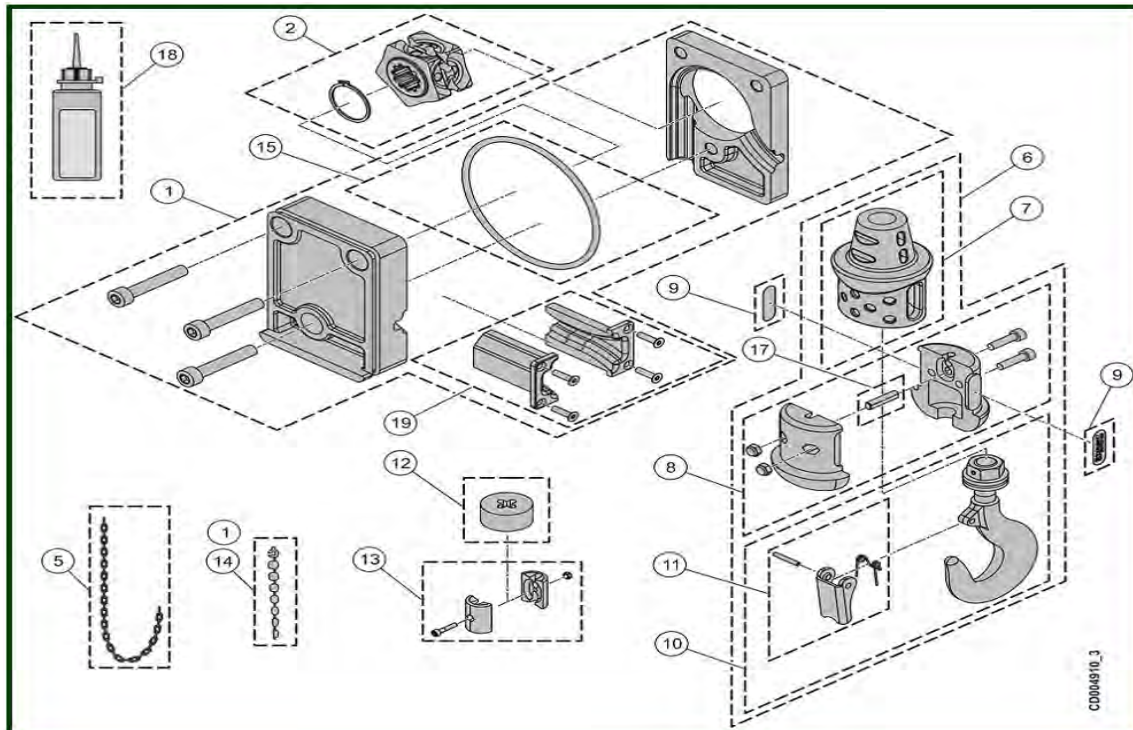


ITEM	REFERENCE	DESCRIPTION
1	VT0004868	Frame - Motor side Single brake
2	VT0006975	Frame - Brake side Double brake + Gear Limit Switch 2 or 4
2	VT0006974	Frame - Brake side Single brake + Gear Limit Switch 2 or 4
3	VT0004542	Seal set
4	VT0007033	Cable gland set with square cable entry PE ISO 25
5	VT0006383	End cap with square cable entry ISO 25
6	VT0006384	End cap + Long set
7	VT0006279	Screw set M6L155 - Motor side Single brake
8	VT0006278	Screw set M6L127 - Brake side Single brake + Gear Limit Switch 2
8	VT0006912	Screw set M6L180 - Brake side Single brake
9	VT0004925	Suspension hook
10	VT0004544	Chain bucket 6 m
10	VT0006284	Chain bucket 16 m
10	VT0006667	Chain bucket 35 m
10	VT0005990	Chain bucket 40 m - SR2
11	VT0006182	Cover set - Motor side
12	VT0006183	Cover set - Brake side
13	VT0006994	Housing Double brake
13	VT0006993	Housing Single brake
14	VT0006039	Sticker – Brand Double brakes
14	VT0005994	Sticker – Brand Single brake
15	VT0006030	Set of 2 rubber handles – Single/Double brakes
16	VT0004539	Shaft set
17	VT0004905	Safety latch
18	VT0004547	Fixing set - Chain bucket 6 m - 16 m - 35 m
18	VT0006028	Fixing set - Chain bucket 40 m
19	VT0006029	1 handle + protection set
20	VT0006090	Set of 4 plug set
-	VT0006026	Identification plate – Motor Serial number required
-	VT0006995	Rain cover

2) CHAIN GUIDE 4X11 + HOOK



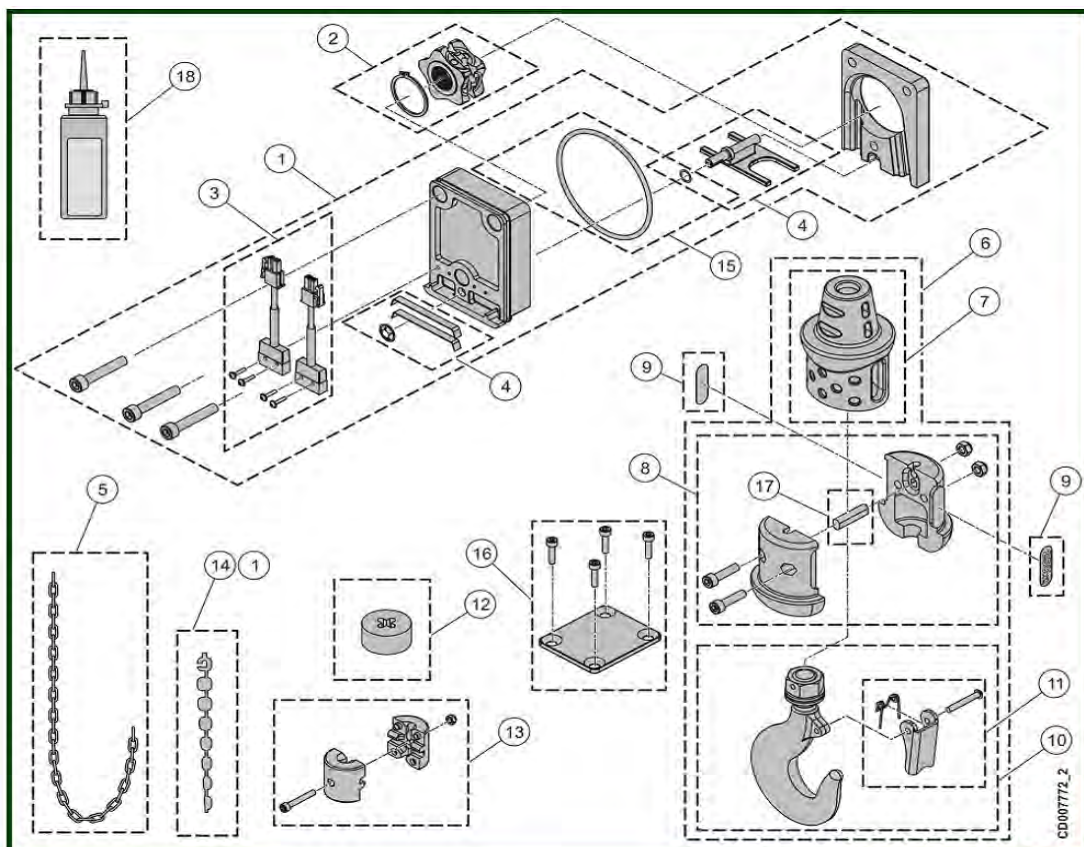
2.1) INVERTED VERSION



ITEM	REFERENCE	DESCRIPTION
1	VT0006092	Chain guide - Chain 4x11 Inverted version
2	VT0004540	Chain sprocket
5	VT0005997	Black chain 4x11

6	VT0005996	Complete hook block
7	VT0004930	Rubber chain stop
8	VT0006094	Hook component
9	VT0006031	Set of 10 load plates – Hoist 250 kg - 4 m/min
10	VT0005998	Hook assembly
11	VT0005901	Hook assembly Standard
12	VT0008352	Rubber chain stop
13	VT0004878	Chain stop
14	VT0005573	Chain tool CHCM-011
15	VT0006095	Seal set
17	VT0006093	Shaft
18	VT0006025	Oil can
19	VT0008560	External chain guide

2.2) INDUSTRIAL VERSION

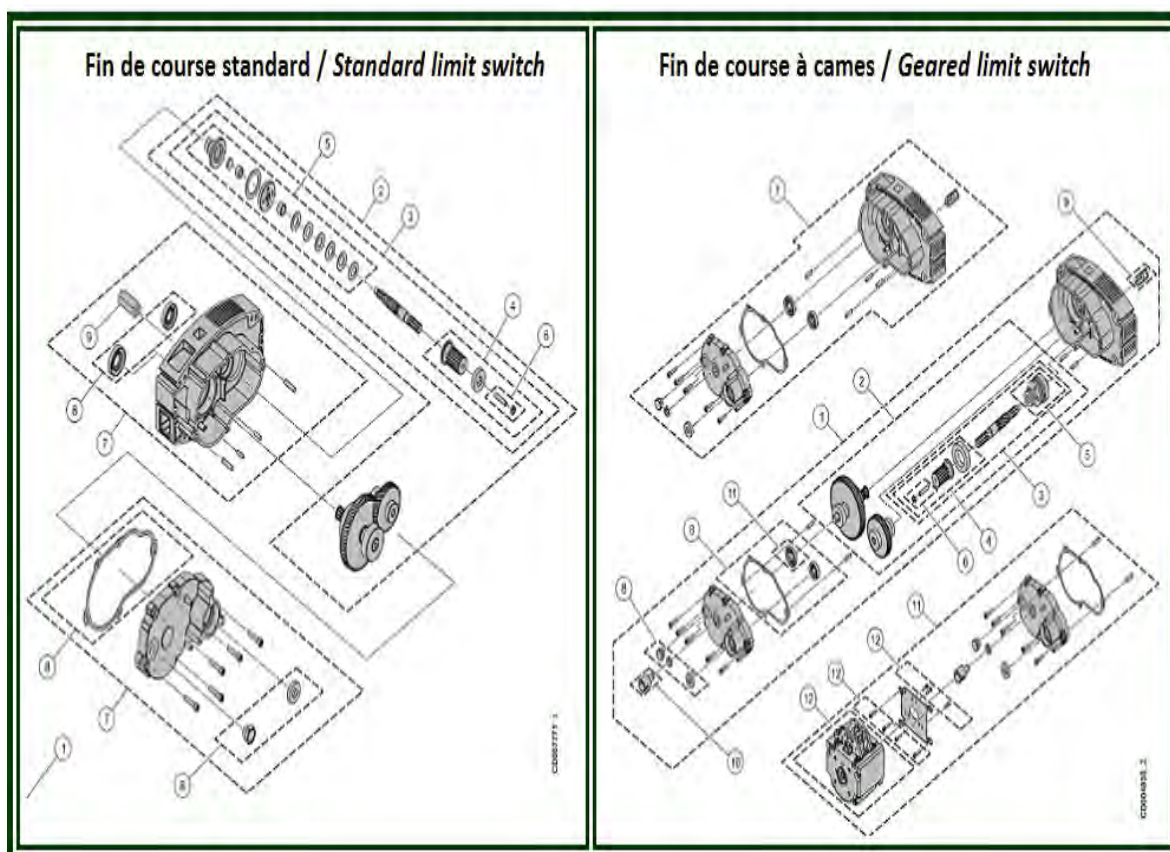


ITEM	REFERENCE	DESCRIPTION
------	-----------	-------------

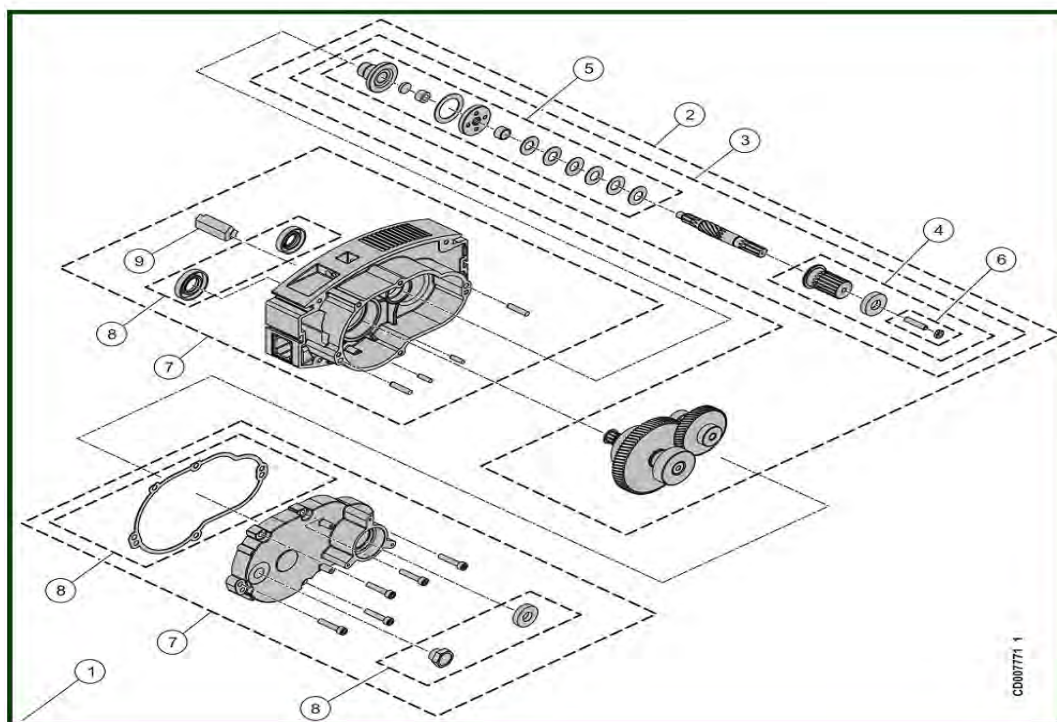
1	VT0004723	Chain guide - Chain 4x11
2	VT0004540	Chain sprocket
3	VT0004724	Switch set

4	VT0004541	Limit switch activator
5	VT0005997	Black chain 4x11
6	VT0005996	Complete hook block
7	VT0004930	Rubber chain stop
8	VT0006094	Hook component
9	VT0006031	Set of 10 load plates – Hoist 250 kg - 4 m/min
10	VT0005998	Hook assembly
11	VT0005901	Hook assembly Standard
12	VT0008352	Rubber chain stop
13	VT0004878	Chain stop
14	VT0005573	Chain tool CHCM-011
15	VT0006096	Seal
16	VT0005087	End cap (Chain guide)
17	VT0006093	Shaft
18	VT0006025	Oil can

3) GEAR



3.1) 4-8 m / MIN - STANDARD LIMIT SWITCH



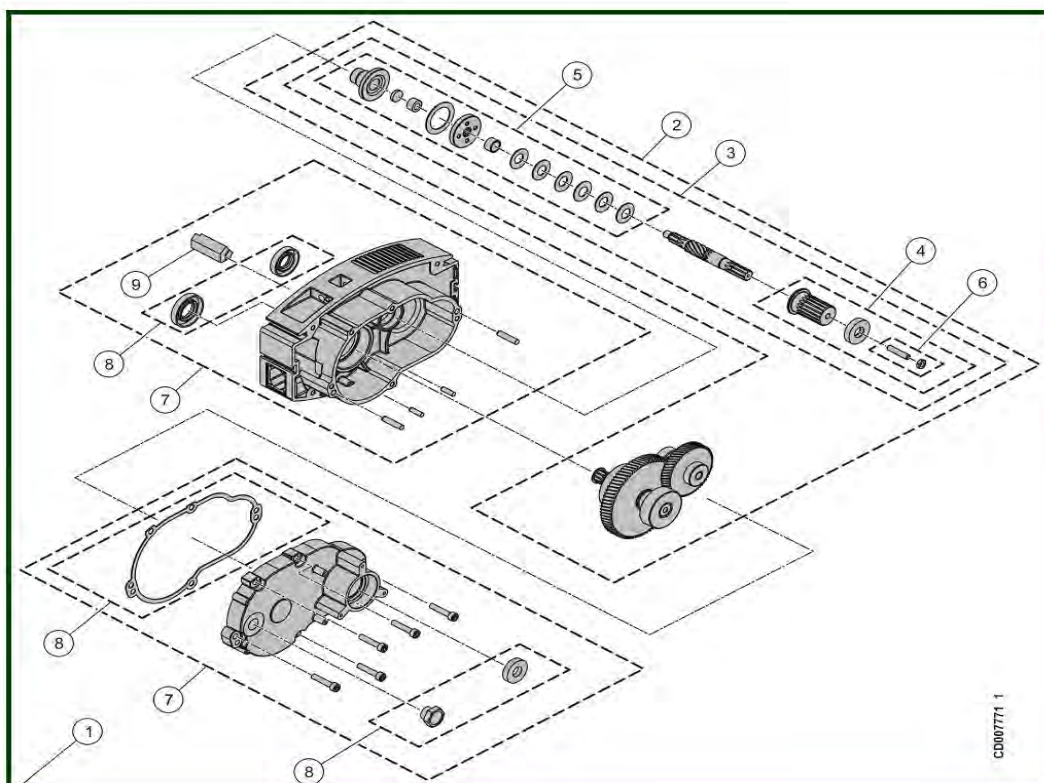
ITEM	REFERENCE	DESCRIPTION
1	VT0006988	Gear assembly Superior to 63 Kg 4m/8m/min
1	VT0007588	Gear assembly Superior to 63 Kg 4m/8m/min
2	VT0006286	Gear / Pinion set 4/8m/min Single brake Higher than 63 kg
2	VT0006978	Gear pinion set - 8m/min Double brakes - Standard
3	VT0004727	Coupling - Side brake Single brake Higher than 63 kg
3	VT0006108	Load limiter Double brakes
4	VT0004548	Coupling - Brake side Single brake
4	VT0006109	Coupling - Side brake Double brakes
5	VT0004939	Clutch with retaining ring
6	VT0006107	Screw set
7	VT0004940	Frame
8	VT0004844	Seal set
9	VT0004650	Rubber

3.2) 4-8 m / MIN - GEARED LIMIT SWITCH

ITEM	REFERENCE	DESCRIPTION
1	VT0006985	Gear assembly - 4-8 m/min Double brakes - GLS
1	VT0007590	Gear assembly - 4-8 m/min Single brake - GLS
2	VT0006981	Gear pinion set - 8m/min Double brakes - GLS

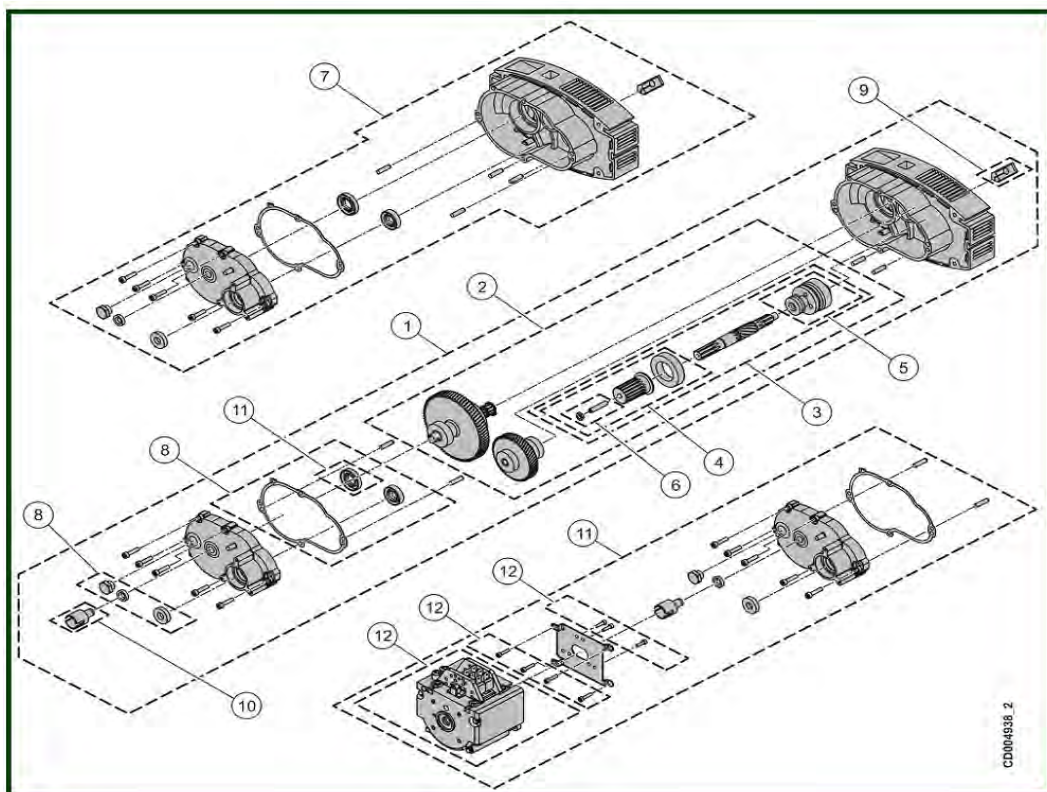
2	VT0006980	Gear pinion set - 8m/min Single brake - GLS
3	VT0004727	Coupling - Side brake Single brake Higher than 63 kg
3	VT0006108	Load limiter Double brakes
4	VT0004548	Coupling - Brake side Single brake
4	VT0006109	Coupling - Side brake Double brakes
5	VT0004939	Clutch with retaining ring
6	VT0006107	Screw set
7	VT0006102	Frame GLS
8	VT0006115	Seal set GLS
9	VT0004650	Rubber
10	VT0006101	Gearwheel GLS
11	VT0006112	Adaptor set - Geared limit switch 2 steps Lift height 20 m
11	VT0006253	Adaptor set - Geared limit switch 4 steps Lift height 20 m
		Geared limit switch with screws set 2 step
12	VT0006113	VR02F=20m: 1 fall-10m: 2 falls VR05F=25m: 1 fall-12.5m: 2 falls VR10F=36m: 1 fall-18m: 2 falls VR16F=48m: 1 fall-24m: 2 falls VR25F=56m: 1 fall-28m: 2 falls
		Geared limit switch with screws set 4 step
12	VT0006252	VR02F=20m: 1 fall-10m: 2 falls VR05F=25m: 1 fall-12.5m: 2 falls VR10F=36m: 1 fall-18m: 2 falls VR16F=48m: 1 fall-24m: 2 falls VR25F=56m: 1 fall-28m: 2 falls

3.3) 16 M / MIN - STANDARD LIMIT SWITCH



ITEM	REFERENCE	DESCRIPTION
1	VT0006987	Gear assembly Superior to 63 Kg 16m/min
1	VT0007589	Gear assembly Superior to 63 Kg 16m/min
2	VT0006290	Gear / Pinion set 16m/min Single brake Higher than 63 kg
2	VT0006979	Gear pinion set - 16 m/min Double brakes - Standard
3	VT0004727	Coupling - Side brake Single brake Higher than 63 kg
3	VT0006108	Load limiter Double brakes
4	VT0004548	Coupling - Brake side Single brake
4	VT0006109	Coupling - Side brake Double brakes
5	VT0004939	Clutch with retaining ring
6	VT0006107	Screw set
7	VT0004940	Frame
8	VT0004844	Seal set
9	VT0004650	Rubber

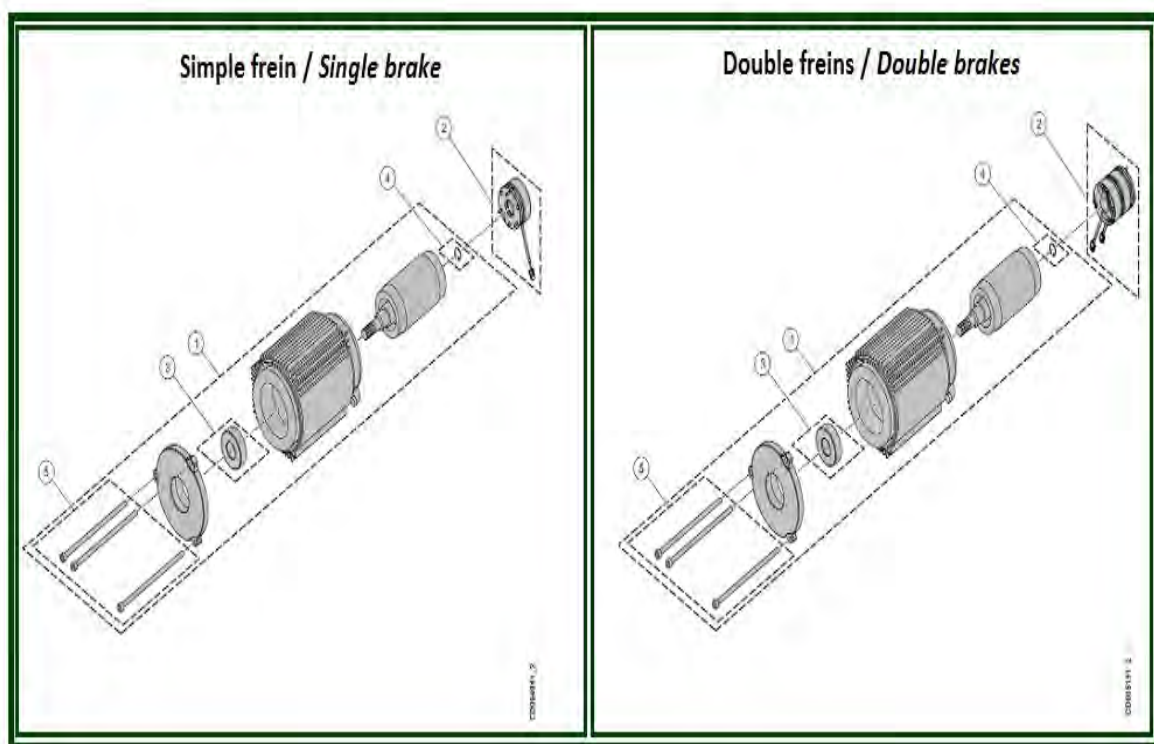
3.4) 16 M / MIN - GEARED LIMIT SWITCH



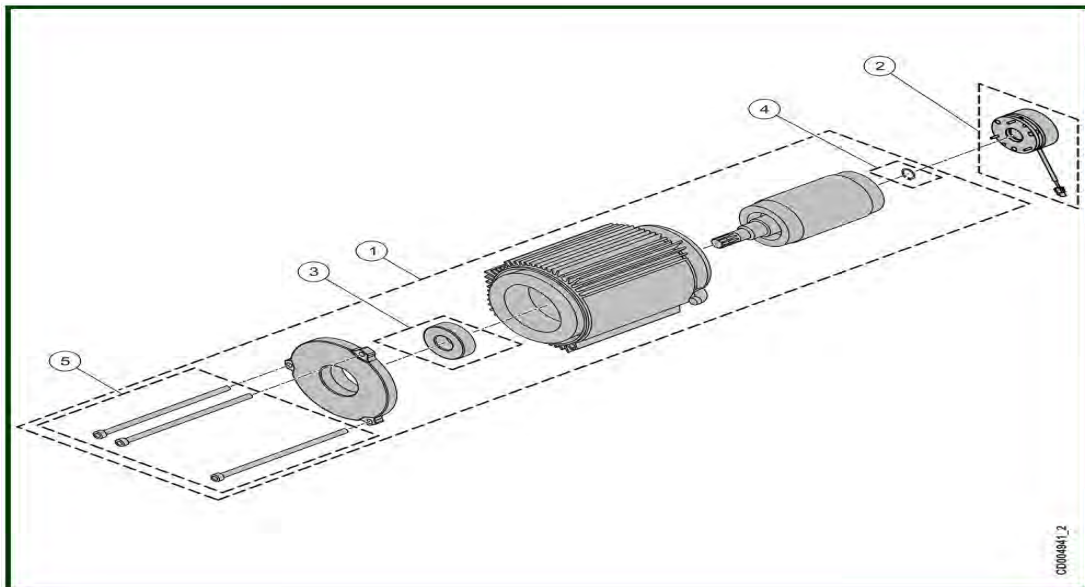
ITEM	REFERENCE	DESCRIPTION
1	VT0006984	Gear assembly - 16 m/min Double brake - GLS
1	VT0006986	Gear assembly - 16 m/min Single brake - GLS

2	VT0006983	Gear pinion set - 16 m/min Double brake - GLS
2	VT0006982	Gear pinion set - 16 m/min Single brake - GLS
3	VT0004727	Coupling - Side brake Single brake Higher than 63 kg
3	VT0006108	Load limiter Double brake
4	VT0004548	Coupling - Brake side Single brake
4	VT0006109	Coupling - Side brake Double brake
5	VT0004939	Clutch with retaining ring
6	VT0006107	Screw set
7	VT0006102	Frame GLS
8	VT0006115	Seal set GLS
9	VT0004650	Rubber
10	VT0006101	Gearwheel GLS
11	VT0006112	Adaptor set - Geared limit switch 2 steps Lift height 20 m
11	VT0006253	Adaptor set - Geared limit switch 4 steps Lift height 20 m
12	VT0006113	Geared limit switch with screws set 2 steps VR02F=20m: 1 fall-10m: 2 fall VR05F=25m: 1 fall-12.5m 2 fall VR10F=36m: 1 fall-18m: 2 fall VR16F=48m: 1 fall-24m 2 fall VR25F=56m: 1 fall-28m: 2 falls
12	VT0006252	Geared limit switch with screws set 4 step VR02F=20m: 1 fall-10m: 2 fall VR05F=25m: 1 fall-12.5m 2 fall VR10F=36m: 1 fall-18m: 2 fall VR16F=48m: 1 fall-24m 2 fall VR25F=56m: 1 fall-28m: 2 fall

4) MOTOR



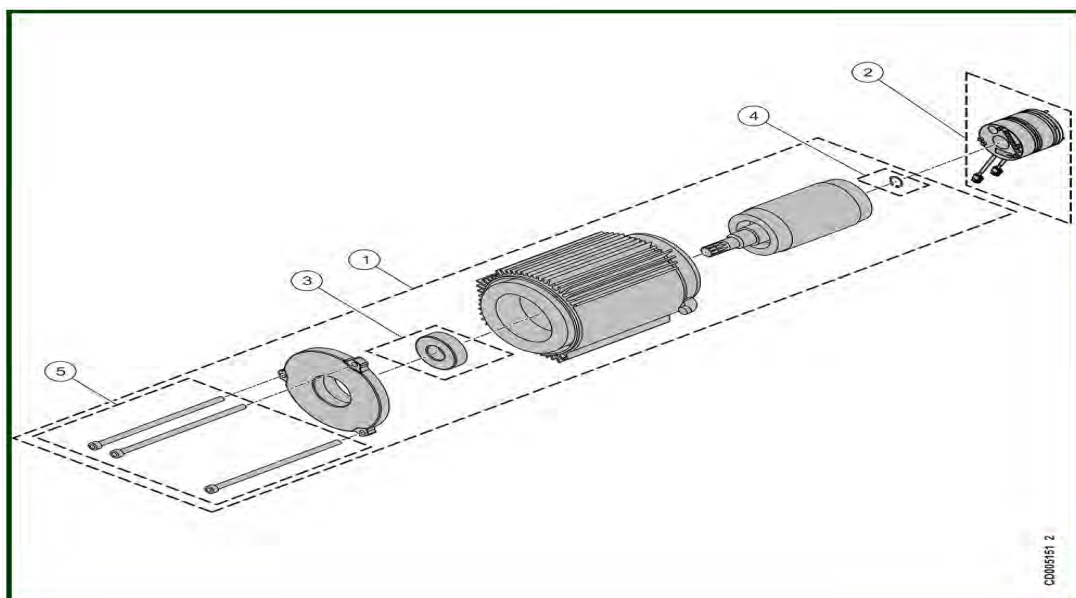
4.1) SINGLE BRAKE



CD004941_2

ITEM	REFERENCE	DESCRIPTION
1	VT0005999	Motor 1 speed 208V-230V:60Hz 1500 tours - 4 m / min
1	VT0006277	Motor 2 speed 208-230V 60Hz 3000 tours - 8 m / min
1	VT0004654	Motor - 2 speed 208-230V 60Hz 8-10-16-20m/min
1	VT0004651	Motor - 2 speed 380-415V 50Hz (3000/750tr/min) 440-480V 60Hz (3600/900tr/min) 8-10-16-20m/min
2	VT0006260	Single brake 103 V
2	VT0004662	Single brake 190 V
4	VT0004663	Retaining ring
5	VT0005088	Screw set
6	VT0004665	Bearing

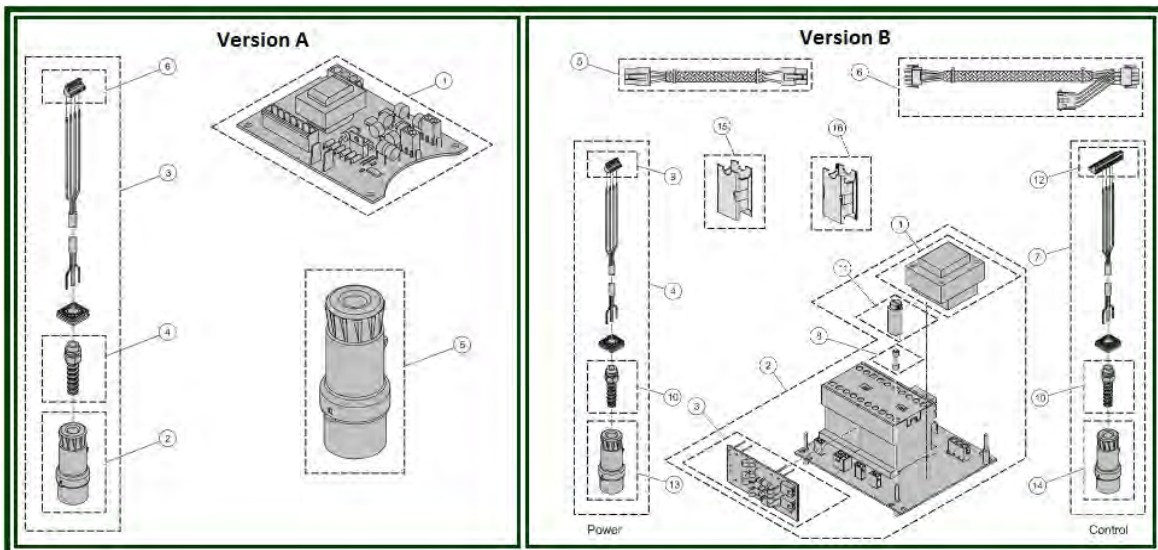
4.2) DOUBLE BRAKE



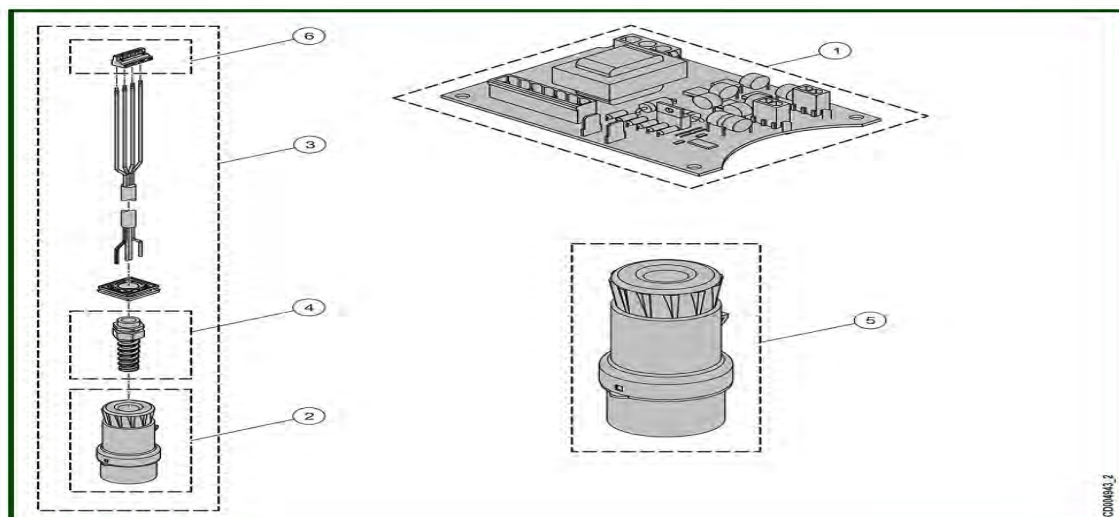
CD005151_2

ITEM	REFERENCE	DESCRIPTION
1	VT0005999	Motor 1 speed 208V-230V:60Hz 1500 tours - 4 m / min
1	VT0006277	Motor 2 speed 208-230V 60Hz 3000 tours - 8 m / min
1	VT0004654	Motor - 2 speed 208-230V 60Hz 8-10-16-20m/min
1	VT0004651	Motor - 2 speed 380-415V 50Hz (3000/750tr/min) 440-480V 60Hz (3600/900tr/min) 8-10-16-20m/min
2	VT0006185	Double brakes 190 V
2	VT0006184	Double brake
4	VT0004663	Retaining ring
5	VT0005088	Screw set
6	VT0004665	Bearing

5) ELECTRICAL PARTS

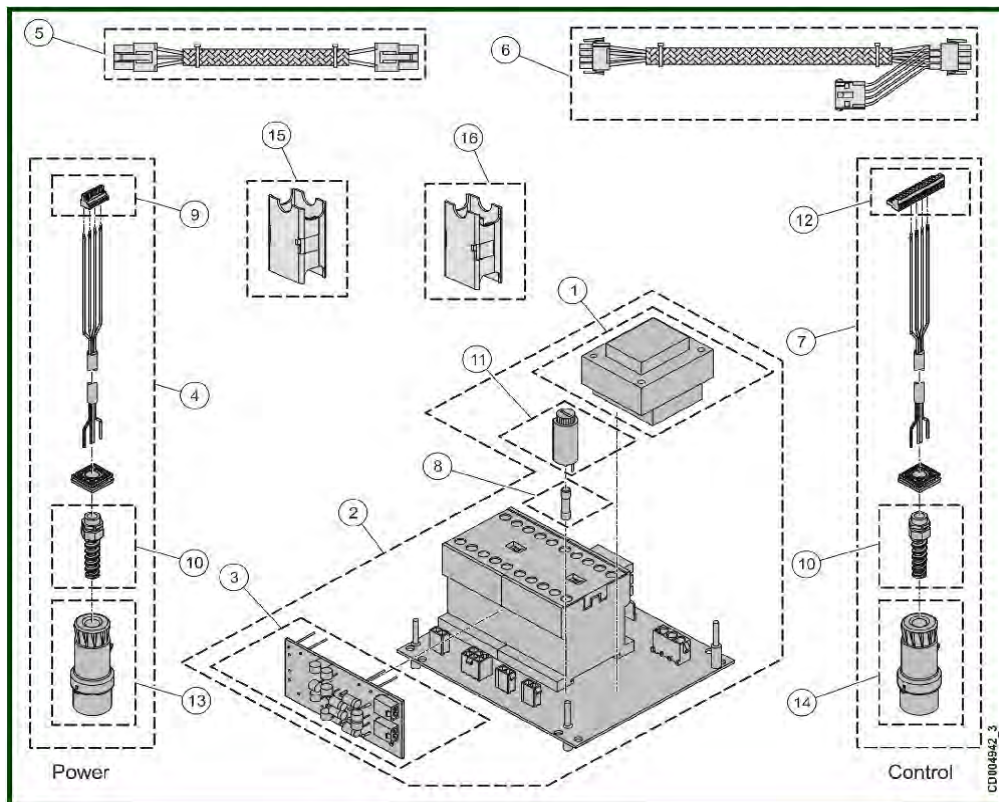


5.1) VERSION A



ITEM	REFERENCE	DESCRIPTION
1	VT0006000	ACF card 208-600V - 1 speed
2	VT0006087	Power supply male blue plug 230V / 3P+T
2	VT0006086	Power supply male red plug 400V / 3P+T
3	VT0006078	Power supply male blue plug/cable 230V / 50-60Hz / 3P+T 0,5m
3	VT0006076	Power male red plug/cable 380-415V/50-60Hz-400V3P+T 0,5m
4	VT0006399	Spiral cable gland
5	VT0006085	Female blue plug 230V / 3P+T
5	VT0006001	Female red plug 400V / 3P+T
6	VT0005107	Power connector 4P

5.2) VERSION B



ITEM	REFERENCE	DESCRIPTION
1	VT0006193	Transformer 208V / 115V
1	VT0006407	Transformer 230V / 48V
1	VT0006408	Transformer 230V / 115V
1	VT0006192	Transformer 400V / 48V
1	VT0006406	Transformer 460V / 115V
2	VT0006097	Electrical board - 1 speed - 2 brakes 208V / 50-60HZ / 115V

2	VT0006404	Electrical board - 1 speed - 2 brakes 230V / 50HZ / 48V
2	VT0006405	Electrical board - 1 speed - 2 brakes 230V / 50HZ / 115V
2	VT0006099	Electrical board - 1 speed - 2 brakes 400V / 50HZ / 48V
2	VT0006098	Electrical board - 1 speed - 2 brakes 460V / 50-60HZ / 115V
3	VT0004947	Rectifier - 2 brakes 230V / 50-60Hz / 3P+T 0,5m
4	VT0006078	Power supply male blue plug/cable -230V / 50-60Hz / 3P+T 0,5
4	VT0006076	Power supply/male red plug/cable-380-415V/50-60Hz-400-3P+T 0,5m
5	VT0004949	Wire harness - Plug control voltage
6	VT0004950	Wire harness - Plug power voltage
7	VT0006409	Control yellow plug with cable
8	VT0006194	Fuse set - 48V
8	VT0006195	Fuse set - 115V
9	VT0005107	Power connector - 4P
10	VT0006399	Spiral cable gland
11	VT0006191	Fuse base
12	VT0006412	Control connector - 5 P
13	VT0006087	Power supply male blue plug - 230V / 3P+T
13	VT0006086	Power supply male red plug - 400V / 3P+T
14	VT0006761	Control yellow plug – Female - 115V - 3P+T
15	VT0006410	Power adapter - 208V-600V
16	VT0006411	Control adapter - 24V-230V