

## Spare parts catalog for "VE5 - UX50"

To avoid errors, when ordering please specify:

- Complete type of hoist
- Date of manufacture and serial number
- Spare part code
- Spare part designation
- Additional information

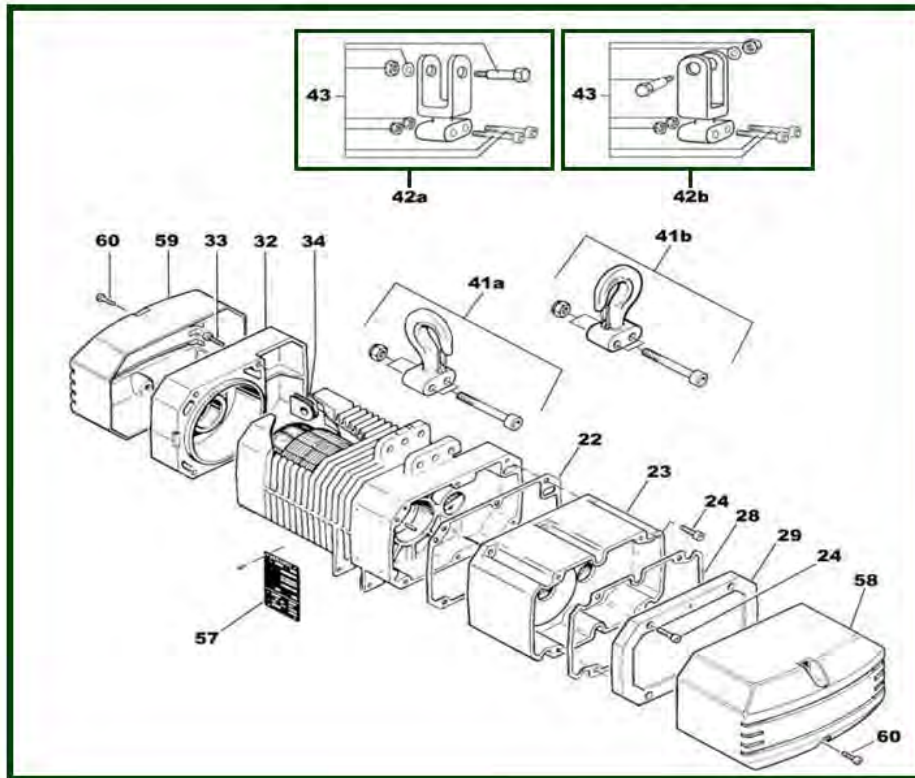


- 0) HOIST DESCRIPTION
  - 1) CASING
  - 2) MECHANISM / LIMITER
  - 3) MECHANISM / CASING
  - 4) BRAKE
  - 5) LIFTING ASSEMBLY
  - 6) ELECTRIC BOX
  - 7) SPECIFIC PARTS LI5
- 8) SPECIFIC PARTS DIGICHAIN
- 9) LOW HEADROOM TROLLEY

## 0) Hoist description

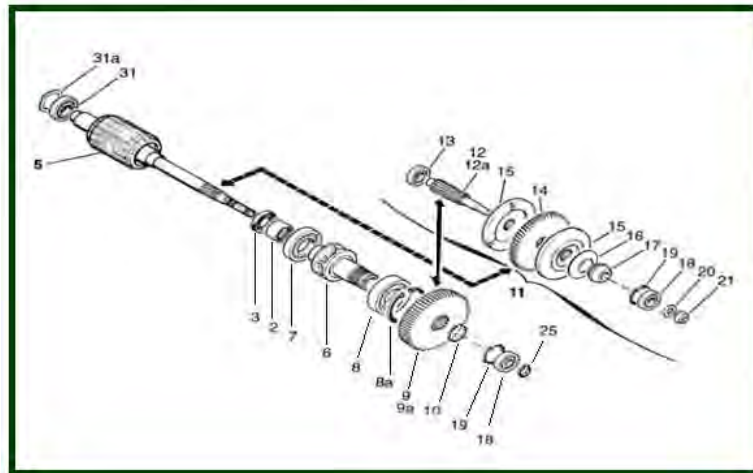
| DESCRIPTION        |                        |                      |                             |                 |                |
|--------------------|------------------------|----------------------|-----------------------------|-----------------|----------------|
| CAPACITE DE CHARGE | TYPE DE PALAN VERLINDE | TYPE DE PALAN UNEPAL | OBSERVATIONS (voir repères) | NOMBRE DE BRINS | TYPE DE CHAINE |
| LOAD CAPACITY      | TYPE OF HOIST VERLINDE | TYPE OF HOIST UNEPAL | OBSERVATIONS (SEE MARKS)    | NUMBER OF FALLS | TYPE OF CHAIN  |
| 125 Kg             | VE5 105 m2             | 12UX50.15V2          | A                           | 1               | 5 X 15         |
|                    | VE5 108 m2             | 12UX50.18V2          | B                           |                 |                |
|                    | VE5 110 b2             | 12UX50.110W2         | C                           |                 |                |
|                    | VE5 116 b2             | 12UX50.116W2         | D                           |                 |                |
| 250 Kg             | VE5 216 b1             | 25UX50.116W1         | E                           | 2               |                |
|                    | VE5 205 m2             | 25UX50.15V2          | F                           |                 |                |
|                    | VE5 208 m2             | 25UX50.18V2          | G                           |                 |                |
|                    | VE5 205 b2             | 25UX50.25W2          | H                           |                 |                |
|                    | VE5 208 b2             | 25UX50.28W2          | I                           |                 |                |
| 500 Kg             | VE5 210 b2             | 25UX50.110W2         | J                           | 1               |                |
|                    | VE5 502 m2             | 50UX50.22V2          | K                           | 2               |                |
|                    | VE5 504 m2             | 50UX50.24V2          | L                           |                 |                |
|                    | VE5 505 b2             | 50UX50.25W2          | M                           |                 |                |
|                    | VE5 508 b1             | 50UX50.28W1          | N                           | 1               |                |
|                    | VE5 505 m1             | 50UX50.15V1          | O                           |                 |                |
|                    | VE5 508 m1             | 50UX50.18V1          | P                           |                 |                |
| VE5 510 b1         | 50UX50.110W1           | Q                    |                             |                 |                |
| 1000 Kg            | VE5 1002 m1            | 100UX50.22V1         | R                           | 2               |                |
|                    | VE5 1004 m1            | 100UX50.24V1         | S                           |                 |                |
|                    | VE5 1005 b1            | 100UX50.25W1         | T                           |                 |                |

# 1) Casing



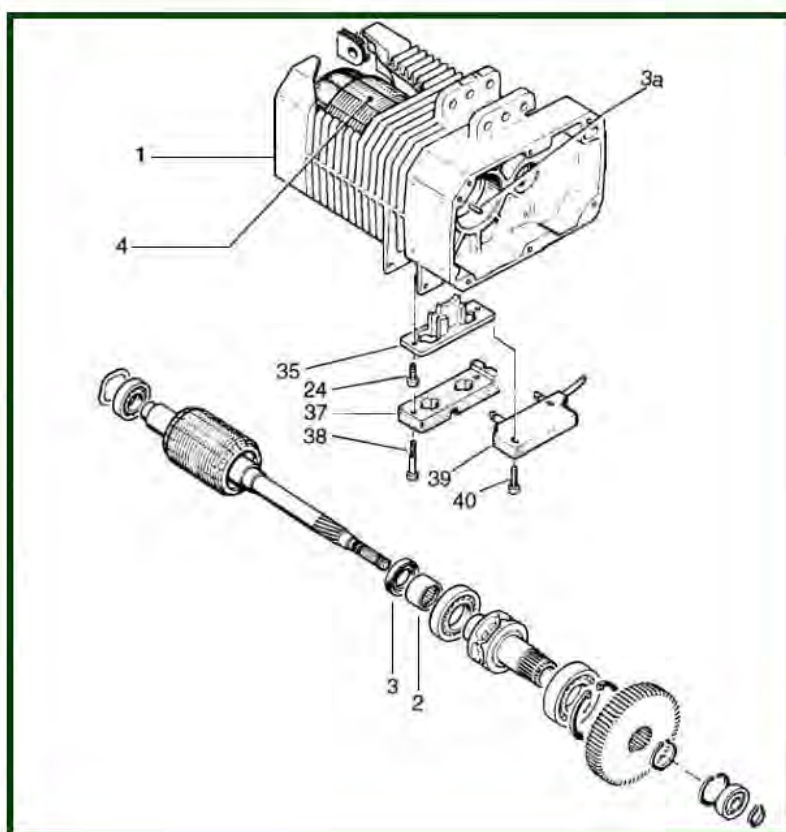
| item | reference              | description  | observation                                   | Quantity |
|------|------------------------|--|---|----------|
| 22   | <a href="#">556242</a> | Gearbox housing seal                                 |   | 1        |
| 23   | <a href="#">556510</a> | Gearbox housing                                      |   | 1        |
| 24   | <a href="#">830909</a> | CHC screw M6x20                                      |   | 8        |
| 28   | <a href="#">556241</a> | Counterweight seal                                   |   | 1        |
| 29   | <a href="#">556513</a> | Counterweight  |   | 1        |
| 32   | <a href="#">556512</a> | Rear side plate                                      |   | 1        |
| 33   | <a href="#">830910</a> | CHC screw 6 x 50                                     | HPR court & long / LHT short & long           | 4        |
| 34   | <a href="#">833431</a> | Cable guide  |   | 1        |
| 41a  | <a href="#">556280</a> | Upper hook parallel 012                              |   | 1        |
| 41a  | <a href="#">556286</a> | Upper hook parallel 025                              |   | 1        |
| 41b  | <a href="#">556284</a> | Upper hook perpendicular 025                         | Remplace crochet / replace hook 012           | 1        |
| 42a  | <a href="#">556637</a> | Parallel coupling bracket + screws and nuts set      |   | 1        |
| 42b  | <a href="#">556638</a> | Perpendicular coupling bracket + screws and nuts set |   | 1        |
| 43   | <a href="#">556226</a> | Screw set for coupling                               |   | 1        |
| 57   | <a href="#">557085</a> | Motor plate  |   | 1        |
| 58   | <a href="#">556504</a> | Green cover - Brake side                             | VERLINDE                                      | 1        |
| 58   | <a href="#">556506</a> | Red cover - Brake side                               | VETTER  | 1        |
| 59   | <a href="#">556503</a> | Green cover - Motor side                             |   | 1        |
| 59   | <a href="#">556505</a> | Red cover - Motor side                               |   | 1        |
| 60   | <a href="#">830924</a> | CHC screw 6 x 12                                     |   | 4        |
| -    | <a href="#">556937</a> | Diabolo  | HPR VE5 - HPR court & long / LHT short & long | 1        |

## 2) Mechanism / Limiter



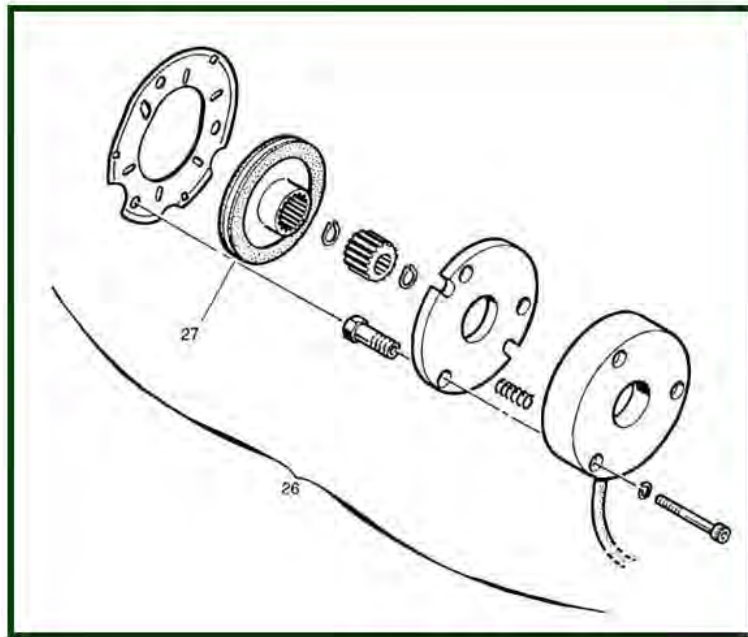
| item | reference              | description                | observation   | Quantity |
|------|------------------------|----------------------------|---|----------|
| 2    | <a href="#">833725</a> | Needle bearing             |   | 1        |
| 3    | <a href="#">556243</a> | Oil seal                   |   | 1        |
| 5    | <a href="#">556359</a> | Rotor 65                   | A-B-F-G-K-L-O-R<br>LI5 505 m1 - LI5 205 m1 - LI5208m2     | 1        |
| 5    | <a href="#">556358</a> | Rotor 75                   | C-D-H-I-J-M   | 1        |
| 5    | <a href="#">556357</a> | Rotor 100 dual speeds      | E-N-Q-T   | 1        |
| 5    | <a href="#">556331</a> | Rotor 100 single speed     | P-S<br>LI5 505 m1 - LI5 205 m1                            | 1        |
| 6    | <a href="#">556255</a> | Load wheel                 | 5x15  | 1        |
| 7    | <a href="#">550783</a> | Ball bearing               |   | 1        |
| 8    | <a href="#">833701</a> | Ball bearing               |   | 1        |
| 8a   | <a href="#">300079</a> | Circlip - Ø 62             | C3-C5- VS2... O (VSX)                                     | 1        |
| 9    | <a href="#">556251</a> | Load wheel gear - 82 teeth | A-C-F-H-J-K-M-O-Q-R-T                                     | 1        |
| 9a   | <a href="#">556552</a> | Load wheel gear - 62 teeth | B-D-E-G-I-L-N-P-S   | 1        |
| 10   | <a href="#">1104</a>   | Circlip                    |   | 1        |
| 11   | <a href="#">556104</a> | Limiter gear subassembly   | 125 & 250 Kg : 1 brin/fall<br>500 kg : 2 brins/falls      | 1        |
| 11   | <a href="#">556105</a> | Limiter gear subassembly   | 500 Kg : 1 brin/fall<br>1000 Kg : 2 brins/falls           | 1        |
| 12   | <a href="#">556502</a> | Pinion shaft - 13 teeth    | A-C-F-H-J-K-M-O-Q-R-T<br>LI5 505 m1 - LI5 205 m1          | 1        |
| 12a  | <a href="#">556551</a> | Pinion shaft - 16 teeth    | B-D-E-G-I-L-N-P-S<br>LI5 505 m1 - LI5 205 m1 - LI5 208 m2 | 1        |
| 13   | <a href="#">833730</a> | Ball bearing               |   | 1        |
| 14   | <a href="#">556550</a> | Limiter gear - 94 teeth    |   | 1        |
| 15   | <a href="#">556220</a> | Friction disc              |   | 2        |
| 16   | <a href="#">832060</a> | Washer                     |   | 1        |
| 17   | <a href="#">556203</a> | Limiter ring               |   | 1        |
| 18   | <a href="#">833719</a> | Bearing                    |   | 2        |
| 19   | <a href="#">830866</a> | Circlip                    |   | 2        |
| 20   | <a href="#">100338</a> | Washer                     |   | 1        |
| 21   | <a href="#">831589</a> | Limiter adjustment nut     |   | 1        |
| 25   | <a href="#">830862</a> | External Circlip - Ø 12    |   | 1        |
| 31   | <a href="#">833703</a> | Bearing                    |   | 1        |
| 31a  | <a href="#">832040</a> | ONDUFLEX washer            |   | 1        |

### 3) Mechanism / Casing



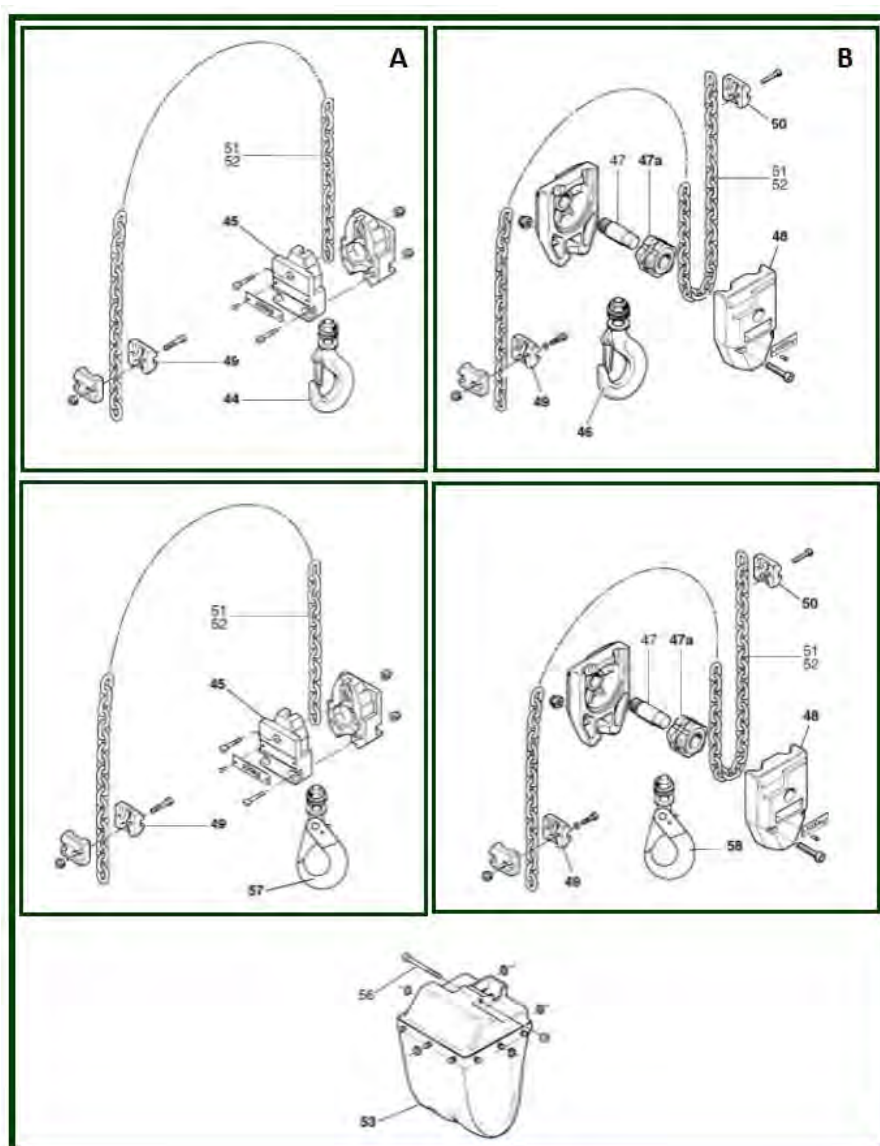
| item | reference              | description                                    | observation  | Quantity |
|------|------------------------|--|--|----------|
| 1    | <a href="#">556110</a> | Motor casing                                   | 2 + 3 + 3a   | 1        |
| 2    | <a href="#">833725</a> | Needle bearing                                 |  | 1        |
| 3    | <a href="#">556243</a> | Oil seal                                       |  | 1        |
| 3a   | <a href="#">556509</a> | Locating pin                                   |  | 2        |
| 4    | <a href="#">556189</a> | Stator 65 - Single speed<br>230/380/400/415 V  | A-B-F-G-K-L-O-R<br>LI5 505 m1- LI5 205 m1 - LI5 208 m2           | 1        |
| 4    | <a href="#">556388</a> | Stator 75 dual speeds<br>380/400/415 V         | C-D-H-I-J-M  | 1        |
| 4    | <a href="#">556188</a> | Stator 75 - Dual speeds<br>230 V               | C-D-H-I-J-M  | 1        |
| 4    | <a href="#">556187</a> | Stator 100 - Dual speeds<br>230 V              | E-N-Q-T  | 1        |
| 4    | <a href="#">556387</a> | Stator 100 - Dual speeds<br>380/400/415 V      | E-N-Q-T / Plus fourni - not available                            | 1        |
| 4    | <a href="#">556190</a> | Stator 100 - Single speed<br>230/380/400/415 V | P-S<br>LI5 508 m2  | 1        |
| 24   | <a href="#">830909</a> | CHC screw M6x20                                |  | 4        |
| 35   | <a href="#">556235</a> | Chain guide                                    |  | 1        |
| 37   | <a href="#">556236</a> | Rubber buffer                                  | Si pas de fin de course électrique / If no electric limit switch | 1        |
| 38   | <a href="#">550979</a> | CHC screw 6x25                                 |  | 2        |
| 38   | <a href="#">830901</a> | CHC screw 6x30                                 |  | 2        |
| 39   | <a href="#">556238</a> | Upper and lower limit switch                   |  | 1        |
| 40   | <a href="#">830930</a> | CHC screw M4x20                                |  | 2        |

## 4) Brake



| item | reference              | description                    | observation                              | Quantity |
|------|------------------------|--------------------------------|--|----------|
| 26   | <a href="#">556558</a> | Complete brake ERD10           | Alimentation / Power supplied 215V-500V  | 1        |
| 26   | <a href="#">556556</a> | Complete brake ERD10 - L8 - M4 | Alimentation / Power supplied 96V- 230V  | 1        |
| 26   | <a href="#">556557</a> | Complete brake ERD10 - L8 - M4 | Alimentation / Power supplied 190V- 440V | 1        |
| 27   | <a href="#">556596</a> | Brake linings set              | 2 types : a / b                          | 3        |
| 27a  | <a href="#">556597</a> | Brake lining ERD10 brake P5    |  | 1        |
| 27b  | <a href="#">556598</a> | Brake lining MAYR brake P5     |  | 1        |
| 27c  | <a href="#">556599</a> | Brake lining ERD42 brake P5    | Plus fourni / Not available anymore      | 1        |

## 5) Lifting assembly

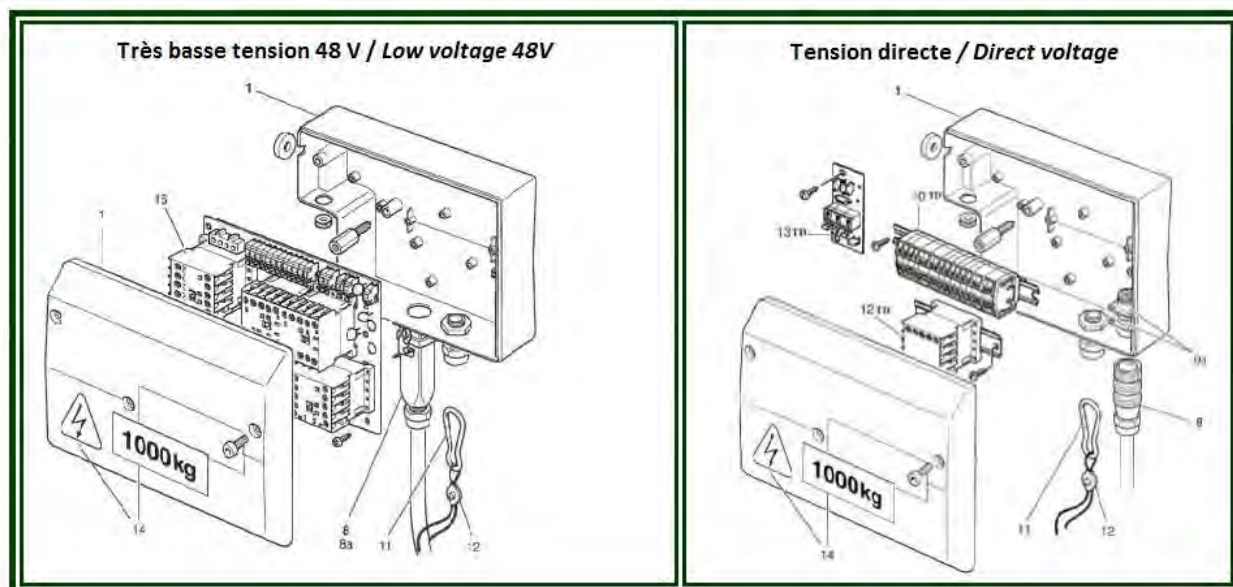


| item | reference               | description                         | observation                                       | Quantity |
|------|-------------------------|-------------------------------------|---|----------|
| 44   | <a href="#">556360</a>  | Lower hook with thrust bearing 012T | A-B-C-D-E-F-G-J-O-P-Q                             | 1        |
| 44a  | <a href="#">A001509</a> | Safety latch for hook 012T          | Linguet fil / wire safety latch - 1 brin / 1 fall | 1        |
| 45   | <a href="#">556228</a>  | ½ hook block set                    |   | 1        |
| 46   | <a href="#">557152</a>  | Hook 025 M16                        | H-I-K-L-M-N-R-S-T - 1T                            | 1        |
| 46a  | <a href="#">2212017</a> | Steel plate safety latch 025T       | Depuis / Since 2000                               | 1        |
| 46a  | <a href="#">A001510</a> | Wire safety latch 025T              | 2 brins / 2 falls                                 | 1        |
| 47   | <a href="#">556001</a>  | Return wheel axle                   |   | 1        |
| 47a  | <a href="#">554330</a>  | Return wheel set                    | HPR court & long / HPR short & long               | 1        |
| 48   | <a href="#">556248</a>  | set of 2 ½ hook blocks              | 2 brins / 2 falls                                 | 1        |
| 49   | <a href="#">556232</a>  | Slack fall stop                     | 2 brins / 2 falls                                 | 1        |
| 50   | <a href="#">556233</a>  | Fixed point                         |   | 1        |
| 52   | <a href="#">820114V</a> | Black chain - 5x15                  | 80HB  | 1        |
| 52   | <a href="#">820153V</a> | Galvanized chain - 5x15             | 80HB  | 1        |
| 52   | <a href="#">820000</a>  | Set of chaining tools               | Chaîne / chain 5/6,5/8                            | 1        |
| 52   | <a href="#">820120V</a> | Special galvanized chain - 5x15     | H80C  | 1        |
| 53   | <a href="#">556212</a>  | Chain bag B1 - 6 m                  | D80 - H16 cm                                      | 1        |
| 53   | <a href="#">556213</a>  | Chain bag B2 - 12 m                 | D31 - H23 cm                                      | 1        |
| 53   | <a href="#">556214</a>  | Chain bag B3 - 17 m                 | N11 - H30 cm                                      | 1        |
| 53   | <a href="#">556215</a>  | Chain bag B4 - 40 m                 | D83 - H45 cm                                      | 1        |

|    |                |                                |  |   |
|----|----------------|--------------------------------|--|---|
| 56 | <u>830927</u>  | CHC screw                      |  | 1 |
| 56 | <u>831588</u>  | M6 Nylstop nut                 | HPR déport court - HPR déport long   | 1 |
| 57 | <u>A001129</u> | RAMNAS Automatic Hook          | 1000 Kg : chain 6,5 x 19,5 / fem 2m<br>1600 Kg : chain 8 x 24 / fem 1Bm - 1 brin/1 fall  | 1 |
| 58 | <u>A001124</u> | Lower hook automatic           | 250/1000Kg - 2 brins / 2 falls   | 1 |
| -  | <u>2212024</u> | Flat safety latch              | 1000 kg - 012 or 025 - 04/2002 - 1 brin/1 fall<br>H-I-J-K-L-M-N-R-S-T<br>Pour crochet vendu en pièces détachées depuis 2000<br>For hook sold in spare since 2000 | 1 |
| -  | <u>A001515</u> | Safety latch - Steel wire type | 125 kg-250 kg-1000 kg- 2 brins / 2 falls - 1T 025 or 012   | 1 |
| =  | <u>556269</u>  | S.W.L. plate                   | 125 kg - 1 brin / 1 fall   | 2 |
| =  | <u>556272</u>  | S.W.L. plate                   | 250 kg - 1 & 2 brins/1 & 2 falls   | 2 |
| =  | <u>556271</u>  | S.W.L. plate                   | 500 kg - 1 & 2 brins/1 & 2 falls   | 2 |
| =  | <u>556351</u>  | S.W.L. plate                   | 1000 kg  | 1 |
| A  | <u>556364</u>  | Complete hook                  | 125 to 500 kg - 1 brin / 1 fall  | 1 |
| B  | <u>556370</u>  | Complete hook                  | 250 to 1000 Kg - 2 brins / 2 falls   | 1 |
| C  | <u>A001114</u> | Hook complete RAMNAS type      | 125 to 500 kg - 1 brin / 1 fall  | 1 |



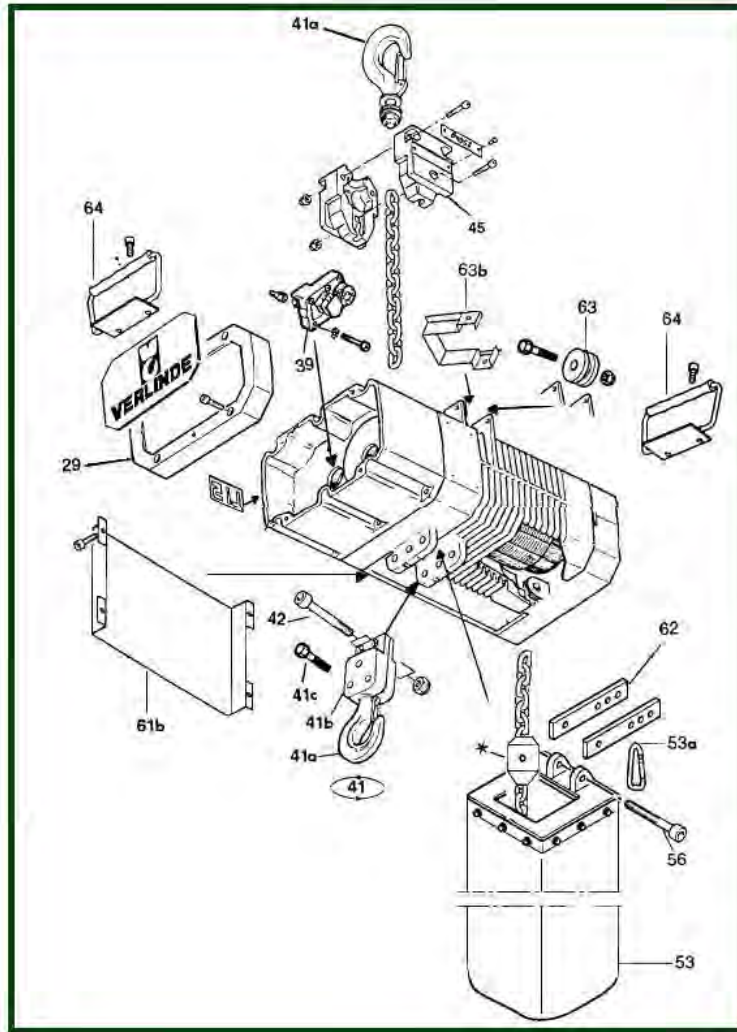
## 6) Electric box



| item | reference              | description   | observation   | Quantity |
|------|------------------------|---|---|----------|
| 1    | <a href="#">556508</a> | Control panel contactor                             | Pour / For LI   | 1        |
| 1    | <a href="#">556668</a> | Electrical box set                                  |   | 1        |
| 8    | <a href="#">833748</a> | Fixed connector subassembly + female insert         | Pour boîte à bouton très basse tension / For button box low voltage     | 1        |
| 8a   | <a href="#">833749</a> | Casing subassembly + male insert                    | Pour boîte à bouton très basse tension / For button box low voltage     | 1        |
| 9    | <a href="#">833868</a> | Subassembly direct male plug                        | Pour boîte à bouton tension directe / For button box direct voltage     | 1        |
| 9a   | <a href="#">833870</a> | Direct plug set                                     |   | 1        |
| 9a   | <a href="#">833869</a> | Subassembly direct female plug                      | Pour boîte à bouton tension directe / For button box direct voltage     | 1        |
| 10TD | <a href="#">833244</a> | Terminal board subassembly                          | 1 VL / HS   | 1        |
| 10TD | <a href="#">833243</a> | Terminal board subassembly                          | 1 VL+M/A / HS/On/Off  | 1        |
| 10TD | <a href="#">833242</a> | Terminal board subassembly                          | 2 VL / HS   | 1        |
| 10TD | <a href="#">833241</a> | Terminal board subassembly                          | 2 VL+M/A / HS/On/Off  | 1        |
| 11   | <a href="#">830870</a> | Chain bucket fixing                                 | Court/Short-Long  | 1        |
| 12   | <a href="#">558073</a> | Flat cable clamp                                    |   | 1        |
| 12TD | <a href="#">833822</a> | On/off contactor                                    | 230 V   | 1        |
| 12TD | <a href="#">833823</a> | On/off contactor                                    | 400 V   | 1        |
| 13TD | <a href="#">833098</a> | Brake control module<br>Main switching control type | 230 & 400 V<br>Coffret acier auto/Steel cubicle automotive              | 1        |
| 14   | <a href="#">556260</a> | S.W.L. plate  | 125 Kg  | 1        |
| 14   | <a href="#">556261</a> | S.W.L. plate  | 250 Kg  | 1        |
| 14   | <a href="#">556262</a> | S.W.L. plate  | 500 Kg  | 1        |
| 14   | <a href="#">556352</a> | S.W.L. plate  | 1000 Kg   | 1        |
| 14   | <a href="#">556349</a> | S.W.L. plate  | 1250 Kg   | 1        |
| 14   | <a href="#">557123</a> | S.W.L. plate  | 1600 Kg   | 1        |
| 14b  | <a href="#">833097</a> | Electrical label                                    |   | 1        |
| 15   | <a href="#">834196</a> | PC board K3DIRB<br>2HS 415 V                        | For the hoist manufactured before 1995 : change PC board electrical box | 1        |
| 15   | <a href="#">834191</a> | PC board K3DIRB<br>2HS 230/400 V                    | For the hoist manufactured before 1995 : change PC board electrical box | 1        |
| 15   | <a href="#">834195</a> | PC board K3DIRM<br>1HS 415 V                        | For the hoist manufactured before 1995 : change PC board electrical box | 1        |
| 15   | <a href="#">834197</a> | PC board K3DIRM<br>1HS 230/400 V                    | For the hoist manufactured before 1995 : change PC board electrical box | 1        |
| 15   | <a href="#">834192</a> | PC board K4DIRB<br>2HS + On/Es 230/400 V            | For the hoist manufactured before 1995 : change PC board electrical box | 1        |

|    |               |  |   |   |
|----|---------------|--|---|---|
| 15 | <u>834198</u> | PC board K4DIRM<br>1HS + On/Es 230/400 V | For the hoist manufactured before 1995 : change PC board electrical box | 1 |
| 15 | <u>834189</u> | PC board K4DIRM<br>1HS + On/Es 415 V     | For the hoist manufactured before 1995 : change PC board electrical box | 1 |
| 15 | <u>834190</u> | PC Board K4DIRB<br>2HS + On/Es 415 V     | For the hoist manufactured before 1995 : change PC board electrical box | 1 |
| -  | <u>556564</u> | Transformer                              | 415V 48V  | 1 |
| -  | <u>556563</u> | Transformer                              | 500V 48V  | 1 |
| -  | <u>556560</u> | Transformer                              | Platine C.I. / PC board CI - 220-380V 48V                               | 1 |
| _  | <u>834176</u> | DC PC board                              | Only for A type hoist (direct voltage)                                  | 1 |
| =  | <u>833130</u> | Fuse 0,5 A                               |   | 1 |
| =  | <u>833131</u> | Fuse 1 A                                 |   | 1 |

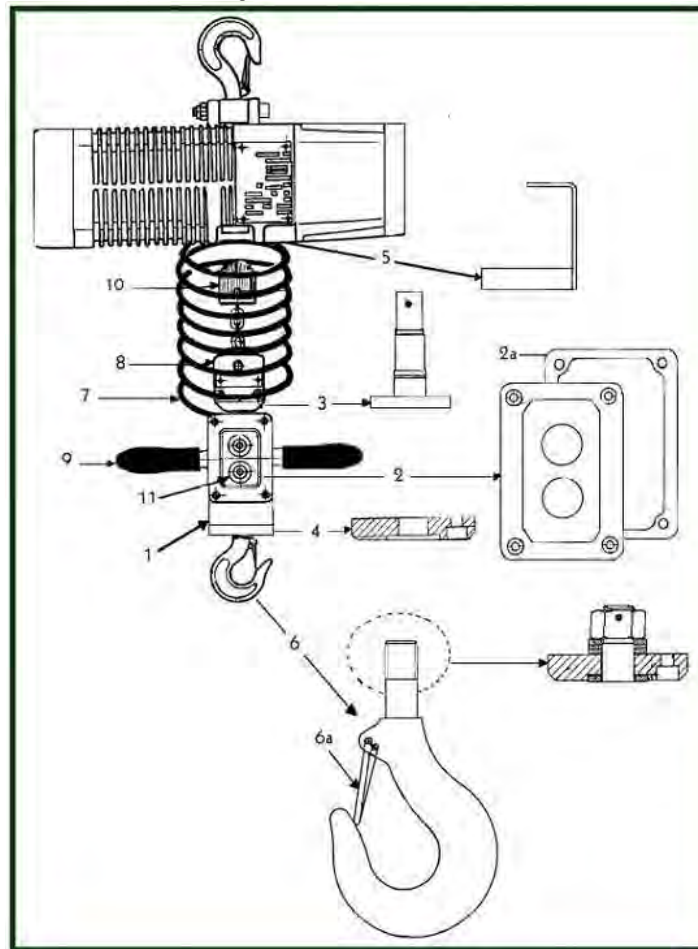
## 7) Specific parts LI5



| item | reference              | description                  | observation                            | Quantity |
|------|------------------------|------------------------------|--|----------|
| 29   | <a href="#">556410</a> | Casing                       |  | 1        |
| 39   | <a href="#">550312</a> | Gear limit switch - 2 steps  | 1/100                                  | 1        |
| 39   | <a href="#">550313</a> | Gear limit switch - 2 steps  | 1/200                                  | 1        |
| 41   | <a href="#">556409</a> | Complete hook block          |  | 1        |
| 41a  | <a href="#">557152</a> | Hook 025 M16                 | H-I-K-L-M-N-R-S-T - 1T                 | 1        |
| 41b  | <a href="#">556402</a> | Set ½ hook block             | 1 brin / 1 fall - Force 2000 Kg        | 2        |
| 41c  | <a href="#">550989</a> | CHC Screw                    |  | 3        |
| 41c  | <a href="#">831587</a> | NYLSTOP nut                  | PRC1-PRC2-PRC3                         | 3        |
| 42   | <a href="#">831597</a> | NYLSTOP nut                  |  | 2        |
| 42   | <a href="#">830917</a> | Screw CHC 8 x 25             | Moteur N3 - Vis à coller / Screw paste | 2        |
| 45   | <a href="#">556228</a> | ½ hook block set             |  | 1        |
| 53   | <a href="#">556406</a> | Chain bag                    | 40 m                                   | 1        |
| 53a  | <a href="#">830870</a> | Chain bucket fixing          | Court/Short-Long                       | 1        |
| 56   | <a href="#">830916</a> | CHC screw                    |  | 1        |
| 61b  | <a href="#">556415</a> | Protection plate             |  | 1        |
| 62   | <a href="#">556404</a> | Chain bag support            |  | 2        |
| 63   | <a href="#">556401</a> | Diabolo for chain stop guide |  | 1        |
| 63b  | <a href="#">556400</a> | Diabolo support              |  | 1        |
| 64   | <a href="#">556412</a> | Handle                       |  | 2        |
| V    | <a href="#">550128</a> | Chain counterweight          |  | 1        |

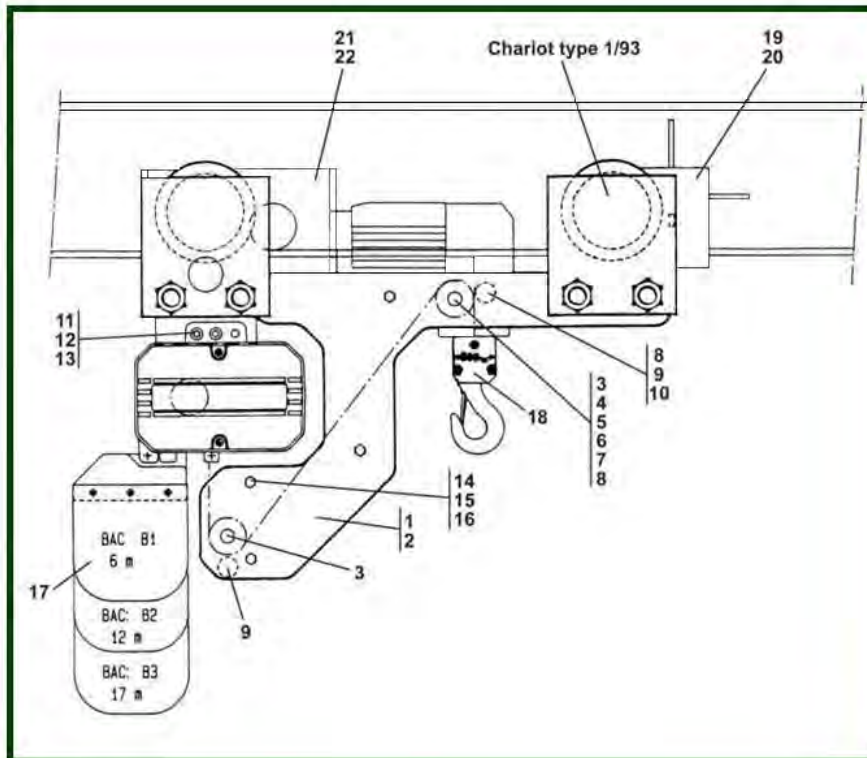
## 8) Specific parts Digichain

Jusqu'à fin 2003 - Until the end 2003



| item | reference               | description  | observation  | Quantity |
|------|-------------------------|--|--|----------|
| 1    | <a href="#">550062</a>  | Complete push button box<br>2 HS with ON/OFF         |  | 1        |
| 1    | <a href="#">550061</a>  | Complete push button box<br>2 HS without ON/OFF      |  | 1        |
| 2    | <a href="#">551017</a>  | Cover box  |  | 1        |
| 2a   | <a href="#">551018</a>  | Cover seal   |  | 1        |
| 3    | <a href="#">550022</a>  | Upper shaft  |  | 1        |
| 4    | <a href="#">551015</a>  | Hook support   |  | 1        |
| 5    | <a href="#">556361</a>  | Cable fastener                                       |  | 1        |
| 6    | <a href="#">551019</a>  | Complete hook  |  | 1        |
| 6a   | <a href="#">A001515</a> | Safety latch - Steel wire type                       | 125 kg-250 kg-1000 kg- 2 brins / 2 falls - 1T 025 or 012 | 1        |
| 7    | <a href="#">833498</a>  | Spiral cable   | Lg 6 m   | 1        |
| 8    | <a href="#">556228</a>  | ½ hook block set                                     |  | 1        |
| 9    | <a href="#">551013</a>  | Set of 2 handles                                     |  | 1        |
| 10   | <a href="#">551012</a>  | Release switch                                       |  | 1        |
| 11   | <a href="#">833593</a>  | Push button  |  | 2        |
|      | <a href="#">833618</a>  | Down sticker   | 1 vitesse / 1 speed                                      | 1        |
|      | <a href="#">833620</a>  | Down sticker   | 2 vitesses / 2 speeds                                    | 1        |
|      | <a href="#">833575</a>  | Element  | 1 vitesse / 1 speed                                      | 1        |
|      | <a href="#">833577</a>  | Element  | 2 vitesses / 2 speeds                                    | 2        |
|      | <a href="#">833596</a>  | Emergency stop button                                |  | 1        |
|      | <a href="#">833590</a>  | ON/OFF direct voltage element with<br>emergency stop |  | 1        |
|      | <a href="#">833600</a>  | Up sticker   | 1 vitesse / 1 speed                                      | 1        |
|      | <a href="#">833606</a>  | Up sticker   | 2 vitesses / 2 speeds                                    | 1        |

## 9) Low Headroom Trolley



| item | reference   | description                              | observation                                   | Quantity |
|------|---|--|---|----------|
| 1    | <a href="#">556930</a>                                    | Motorside crossmember (long overreach)   | N.C.  | 1        |
| 1    | <a href="#">556935</a>                                    | Motorside crossmember (short overreach)  | N.C.  | 1        |
| 2    | <a href="#">556931</a>                                    | Idlerside crossmember (long overreach)   | N.C.  | 1        |
| 2    | <a href="#">556936</a>                                    | Idlerside crossmember (short overreach)  | N.C.  | 1        |
| 3    | <a href="#">554330</a>                                    | Return wheel set                         | HPR court & long / HPR short & long           | 23       |
| 4    | <a href="#">556933</a>                                    | Return wheel shaft                       | HPR court & long / LHT short & long           | 23       |
| 5    | <a href="#">556934</a>                                    | Shaft locking plate                      | HPR court & long / LHT short & long           | 23       |
| 6    | <a href="#">832105</a>                                    | Adjusting washer                         | HPR court & long / LHT short & long           | 46       |
| 7    | <a href="#">832021</a>                                    | Washer plate                             |   | 23       |
| 8    | <a href="#">831588</a>                                    | M6 Nylstop nut                           | HPR départ court - HPR départ long            | 23       |
| 9    | <a href="#">556937</a>                                    | Diabolo                                  | HPR VE5 - HPR court & long / LHT short & long | 23       |
| 10   | <a href="#">830910</a>                                    | CHC screw 6 x 50                         | HPR court & long / LHT short & long           | 23       |
| 11   | <a href="#">556932</a>                                    | Coupling beam                            |   | 1        |
| 12   | <a href="#">830926</a>                                    | CHC screw 10 x 70                        |   | 2        |
| 13   | <a href="#">831593</a>                                    | NYLSTOP nut - ø 10                       |   | 2        |
| 14   | <a href="#">556938</a>                                    | Spacer tube - Ø 12 mm                    | Long  | 46       |
| 15   | <a href="#">830217</a>                                    | Securing screw for slack chain HM 8 x 60 | HPR court & long<br>LHT short & long          | 46       |
| 16   | <a href="#">832022</a>                                    | AZ washer                                | PRC1  | 46       |
| 17   | <a href="#">556212</a>                                    | Chain bag B1 - 6 m                       | D80 - H16 cm                                  | 1        |
| 17   | <a href="#">556213</a>                                    | Chain bag B2 - 12 m                      | D31 - H23 cm                                  | 1        |
| 17   | <a href="#">556214</a>                                    | Chain bag B3 - 17 m                      | N11 - H30 cm                                  | 1        |
| 18   | <a href="#">Voir Chap 5</a><br><a href="#">See Chap 5</a> | Hook assembly                            | Idem standard                                 | 1        |
| 19   | <a href="#">601802</a>                                    | Travelling limit switch - 1 step         |   | 1        |
| 20   | <a href="#">558995</a>                                    | Limit switch support bracket             | C1-C2-C3 - 1 seuil / 1 step                   | 1        |
| 21   | <a href="#">556951</a>                                    | Motorgearbox 10/2,5 (right angle)        |   | 1        |
| 21   | <a href="#">556949</a>                                    | Motorgearbox 10 m/min (right angle)      |   | 1        |
| 21   | <a href="#">556950</a>                                    | Motorgearbox 20/5 (right angle)          |   | 1        |
| 21   | <a href="#">556948</a>                                    | Motorgearbox 20 m/min - Right angle      |   | 1        |

|    |               |                             |                                     |   |
|----|---------------|-----------------------------|-------------------------------------|---|
| 22 | <u>556947</u> | Ajusting flange             |                                     | 1 |
|    | <u>550236</u> | Upper hoisting limit switch | N.C.                                | 1 |
| -  | <u>830922</u> | CHC screw M 5 x 20          |                                     | 2 |
| -  | <u>556940</u> | Counterweight               | Seulement en 2 brins / Only 2 steps | 1 |
| -  | <u>556941</u> | Fixed point (straight hole) |                                     | 1 |
| -  | <u>556942</u> | Fixed point (tapped hole)   |                                     | 1 |
| -  | <u>556232</u> | Slack fall stop             | 2 brins / 2 falls                   | 1 |