

## Spare parts catalogue for "VL10-XC2"

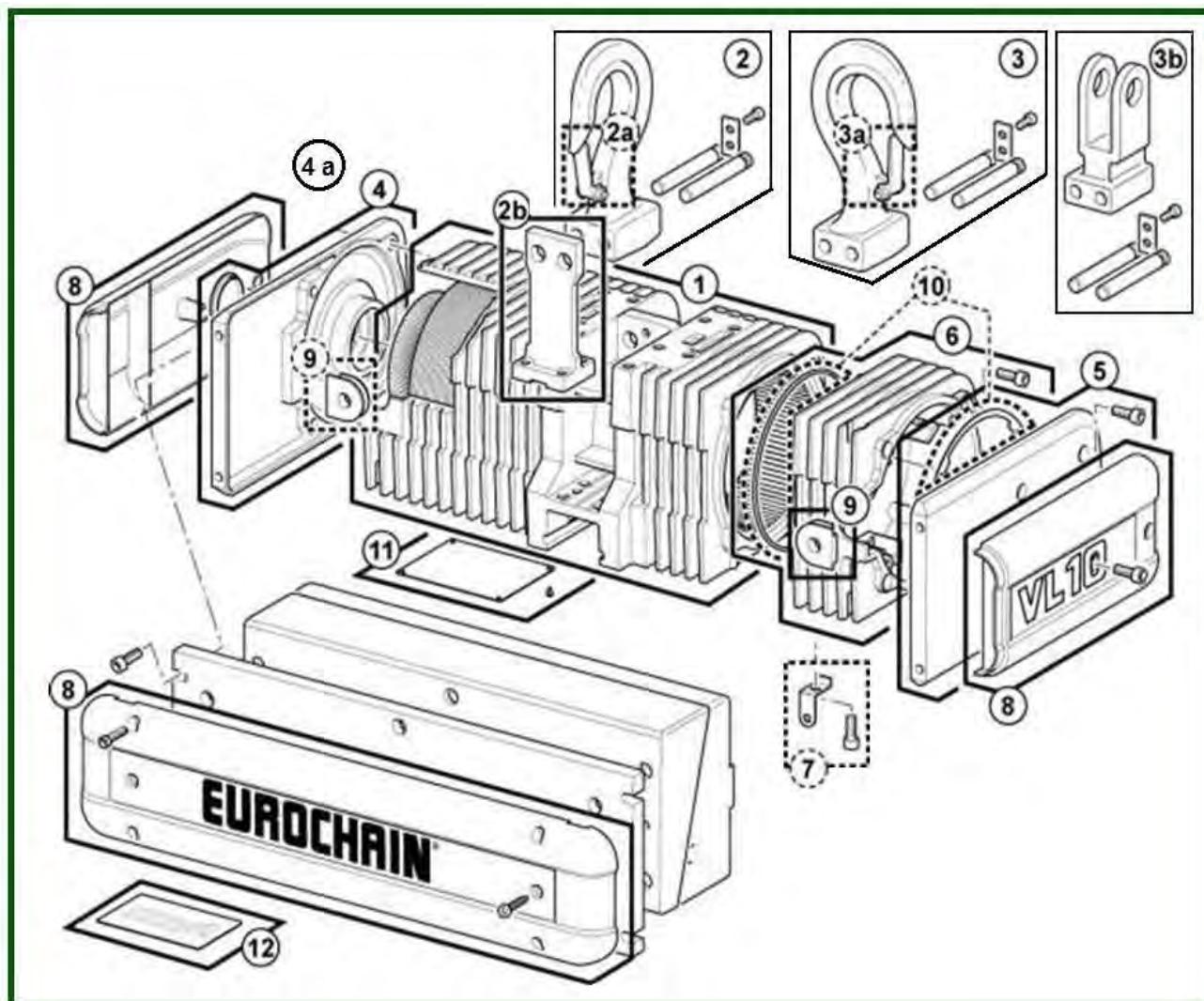
To avoid errors, when ordering please specify:

- Complete type of hoist
- Date of manufacture and serial number
- Spare part code
- Spare part designation
- Additional information



<b>1. HOISTING MOTOR AND CASING .....</b>	<b>2</b>
<b>2. MECHANISM / BRAKE .....</b>	<b>5</b>
<b>3. LIFTING ASSEMBLY.....</b>	<b>8</b>
3.1. Precut chain .....	11
<b>4. ELECTRIC BOX .....</b>	<b>12</b>
<b>5. UPPER AND LOWER LIMIT SWITCH .....</b>	<b>15</b>
<b>6. FIN DE COURSE A CAME EXT (OPTION).....</b>	<b>16</b>
6.1. Cam operated limit switch int (option).....	17
<b>7. SWIVELLING TROLLEY – After 2003 .....</b>	<b>18</b>
7.1. From 0 to 3200 Kgs .....	19
7.2. From 3200 to 5000 Kgs .....	21
<b>8. LOW HEADROOM TROLLEY WITH TMU MOTOR – After june 2003 .....</b>	<b>23</b>
8.1. Trolley .....	24
8.2. Coupling cross member & lower suspension.....	25
8.3. Flange adjustment .....	27
8.4. Travelling machinery.....	30

## 1. HOISTING MOTOR AND CASING

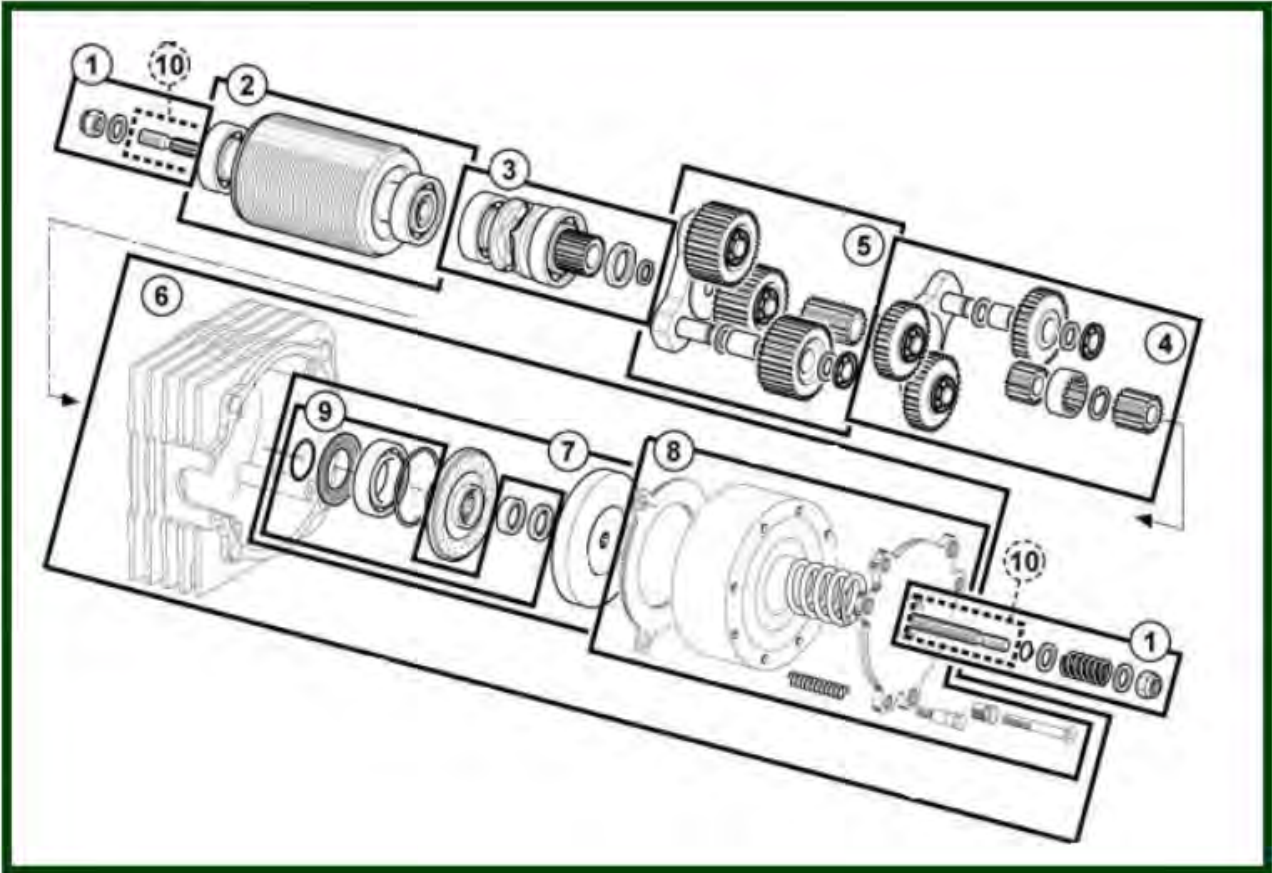


### Hoisting motor and casing

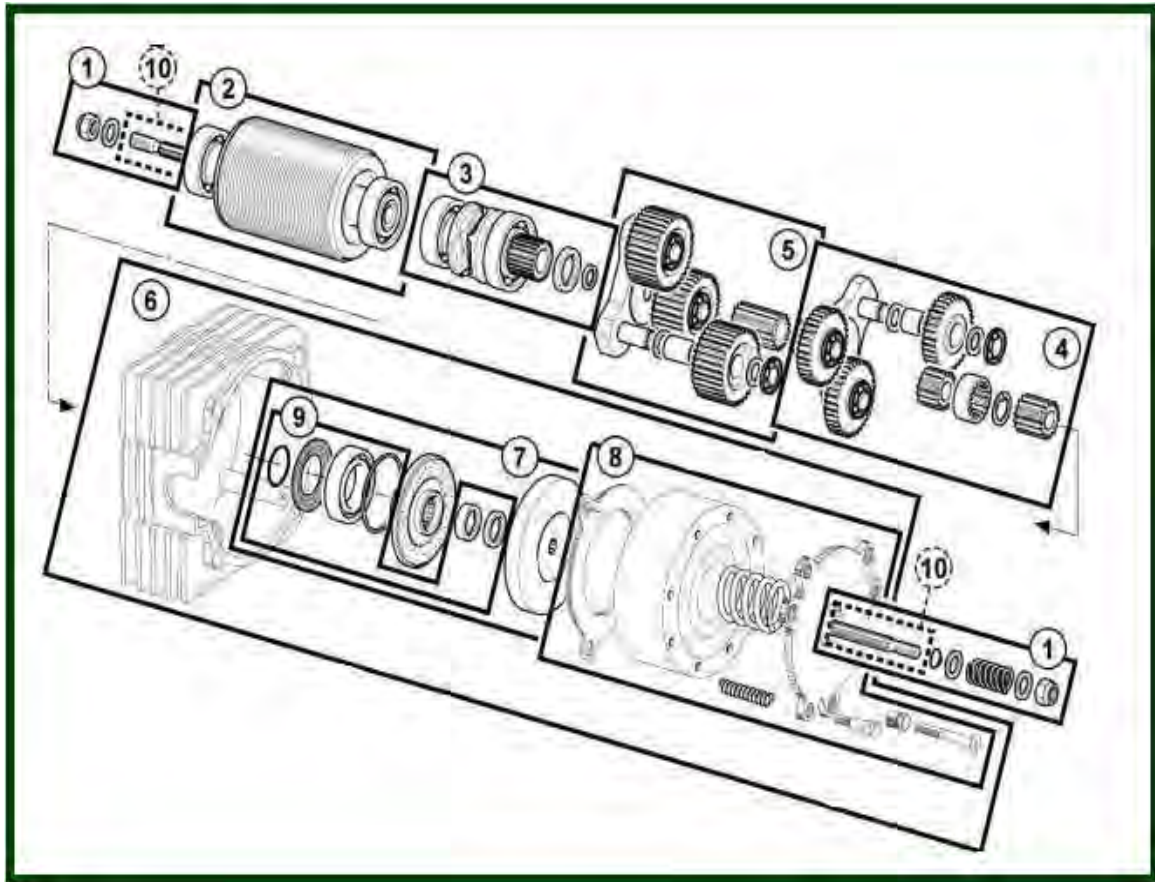
Item	Reference	Description	Observation	Quantity
1	<a href="#">2249974</a>	Housing complete with gear rim and stator 230V 50Hz	1 speed - 4 P	1
1	<a href="#">2249967</a>	Housing complete with gear rim and stator 230V 50Hz	2 speeds - 2 & 8 P	1
1	<a href="#">2249969</a>	Housing complete with gear rim and stator 230V 60Hz	2 speeds - 2 & 8 P	1
1	<a href="#">2249973</a>	Housing complete with gear rim and stator 400V 50Hz - 460V 60Hz	1 speed - 4 P	1
1	<a href="#">2249966</a>	Housing complete with gear rim and stator 400V 50Hz - 460V 60Hz	2 speeds - 2 & 8 P	1
1	<a href="#">2249968</a>	Housing complete with gear rim and stator 400V 60Hz	2 speeds - 2 & 8 P	1
1	<a href="#">2249975</a>	Housing complete with gear rim and stator 500V 50Hz - 575V 60Hz	1 speed - 4 P	1
1	<a href="#">2249970</a>	Housing complete with gear rim and stator 500V 50Hz - 575V 60Hz	2 speeds - 2 & 8 P	1
2	<a href="#">2249955</a>	Suspension hook assembly	Perpendicular mounting	1
2a 3a	<a href="#">2242017</a>	Safety latch - Steel plate	C16 : 1 fall - 1600 kg Suspension hook assembly	1
2b	<a href="#">2242011</a>	Suspension member		1
3	<a href="#">2249954</a>	Hook assembly with axle and screws	Parallel mounting	1
3b	<a href="#">2249920</a>	Suspension bracket assembly with axle and screws	Parallel mounting for electric trolley Perpendicular mounting for CHR manual trolley - Before 2000	1
3b	<a href="#">2249921</a>	Suspension bracket assembly with axle and screws	Perpendicular mounting for electric trolley Parallel mounting for old manual trolley - Before 2000	1
3b	<a href="#">52312841</a>	Suspension bracket assembly with axle and screws	Perpendicular mounting for manual trolley - Since 2000	1
4	<a href="#">2249904</a>	Motor end cap assembly	Only for B-C-D version	1
4a	<a href="#">2218001</a>	Plastic plug - Motor side		1
5	<a href="#">2249903</a>	Brake end cap assembly		1
6	<a href="#">2240011</a>	Brake cap assembly		1
7	<a href="#">2218000</a>	Push button station fixing point		1

Item	Reference	Description	Observation	Quantity
8	<u>2246051</u>	Stickers and covers		1
9	<u>2218004</u>	Cable guide		1
10	<u>2240013</u>	Sealing ring and O-ring for brake cap		1
11	<u>2216520</u>	Motor data plate	Only if serial number provided	1
12	<u>2219920</u>	Set of 10 load plates - Hoist	500 kg	1
12	<u>2219921</u>	Set of 10 load plates - Hoist	630 kg	1
12	<u>2219922</u>	Set of 10 load plates - Hoist	1000 Kg	1
12	<u>2219929</u>	Set of 10 load plates - Hoist	1250 kg	1
12	<u>2219923</u>	Set of 10 load plates - Hoist	1600 kg	1
12	<u>2219924</u>	Set of 10 load plates - Hoist	2000 kg	1
13	<u>2249550</u>	Rain cover		1

2. MECHANISM / BRAKE



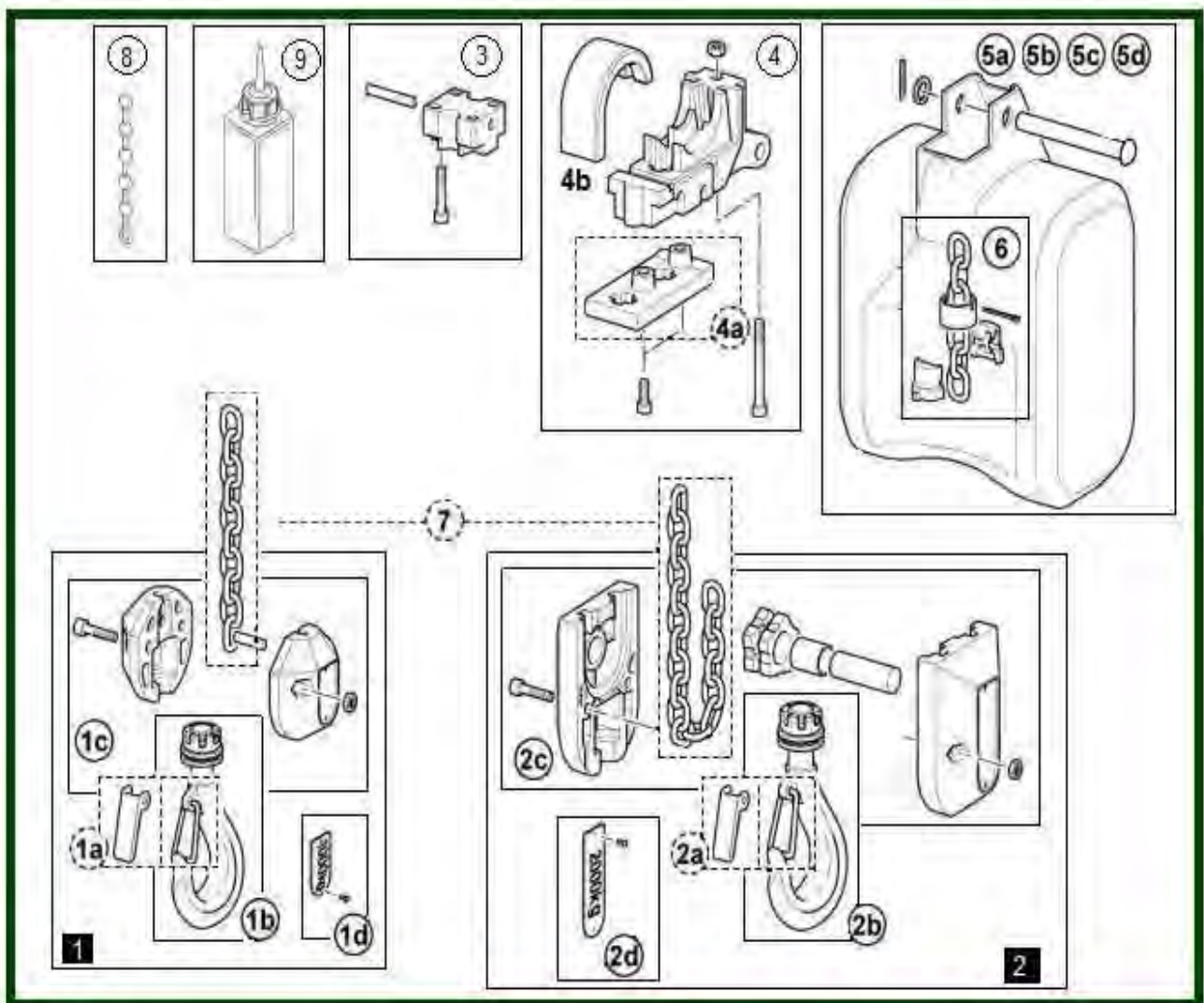
Mechanism / Brake



## Mechanism / Brake

Item	Reference	Description	Observation	Quantity
1	<a href="#">2249940</a>	Limiter spring with motor shaft		1
2	<a href="#">2245025</a>	Rotor assembly	1 & 2 speeds	1
3	<a href="#">2249941</a>	Chain sprocket assembly		1
4	<a href="#">2249937</a>	Planetary gear train - 1st step		1
5	<a href="#">2249938</a>	Planetary gear train - 2nd step	8 m/min	1
5	<a href="#">2249951</a>	Planetary gear train - 2nd step	16 m/min	1
6	<a href="#">2241073</a>	Complete brake assembly with brake cap	100VDC 230VAC	1
6	<a href="#">2241074</a>	Complete brake assembly with brake cap	190VDC 400VAC	1
6	<a href="#">2241072</a>	Complete brake assembly with brake cap	230VDC 500V 575VAC	1
7	<a href="#">2249972</a>	Limiter friction assembly		1
8	<a href="#">2248000</a>	Complete brake	100VDC 230VAC	1
8	<a href="#">2248001</a>	Complete brake	190VDC 400VAC	1
8	<a href="#">2248003</a>	Complete brake	230VDC 500V 575VAC	1
8	<a href="#">52313463</a>	Complete brake	330VDC 690VAC	1
9	<a href="#">2240012</a>	Set of seals for brake cap		1
10	<a href="#">2241501</a>	Three motor		1

### 3. LIFTING ASSEMBLY





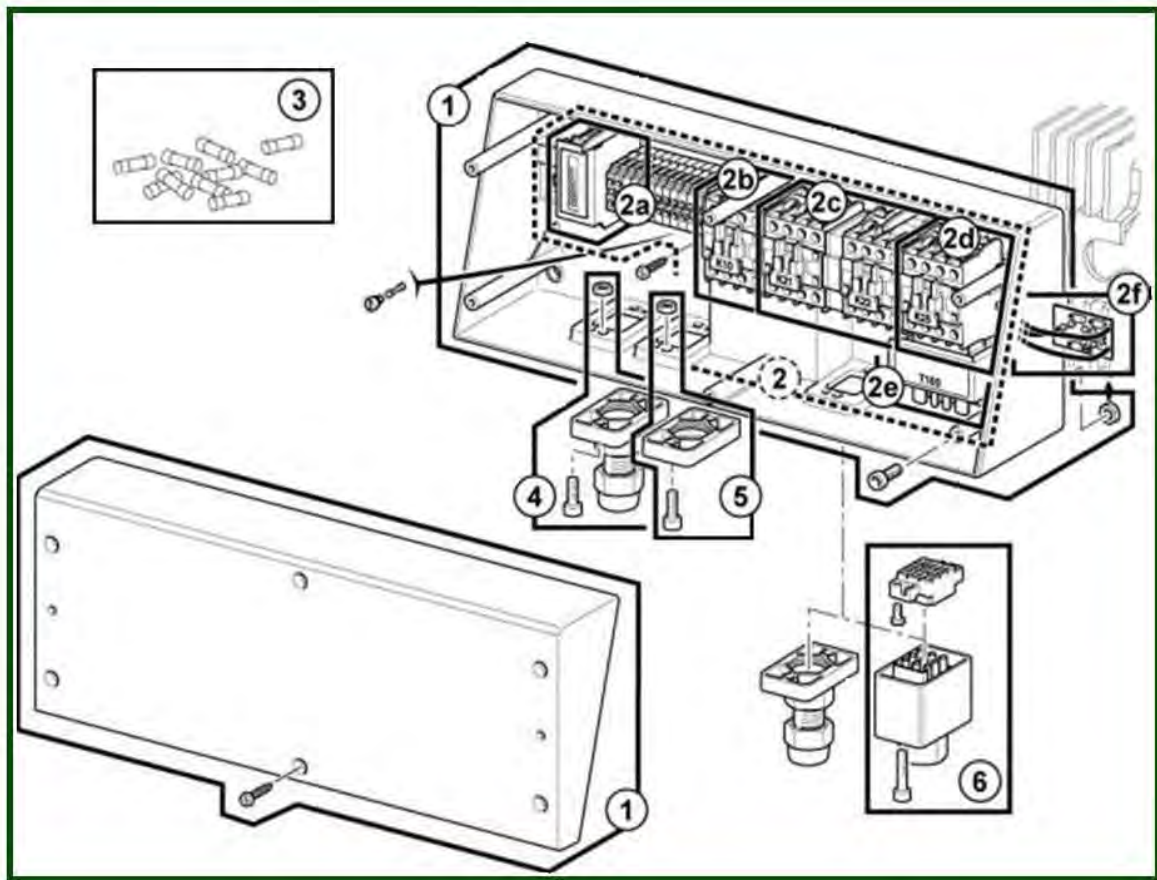
Item	Reference	Description	Observation	Quantity
1	<a href="#">2242018</a>	Lifting hook block - Self locking type	1 fall	1
1	<a href="#">52371858</a>	Lifting hook block - Stainless steel type	1 fall - 500 kg-1Bm	1
1	<a href="#">52371859</a>	Lifting hook block - Stainless steel type	1 fall - 500 kg-2m & 630 kg-1Bm	1
1	<a href="#">2249905</a>	Lower hook block assy	1 fall - Short - Long	1
1a	<a href="#">2212017</a>	Safety latch - Steel plate type - 025T	C10 : 1 fall C05 : 2 falls Since 2000	1
1a	<a href="#">A001515</a>	Safety latch - Steel wire type - 025 or 012	1000 kg – 1 & 2 falls	1
1a	<a href="#">52727572</a>	Safety latch - Stainless steel - 1 fall		1
1b	<a href="#">2247015</a>	Lifting hook - Self locking type	C06 : 2 falls - C10 : 1 fall	1
1b	<a href="#">52370688</a>	Stainless steel lifting hook block	500kg-1Bm/2m C06 : 2 falls - C10 : 1 fall	1
1b	<a href="#">52370689</a>	Stainless steel lifting hook block	630kg-1Bm C06 : 2 falls - C10 : 1 fall	1
1b	<a href="#">2217004</a>	Lifting hook - Standard type - 025T	C05 : 2 falls - C10 : 1 fall	1
1c	<a href="#">2249976</a>	Set of 2 half-casings with axle and screws		1
1d	<a href="#">2249995</a>	Set of 10 load plates	500 Kg	1
1d	<a href="#">2219939</a>	Set of 10 load plates	630 kg	1
1d	<a href="#">2219914</a>	Set of 10 load plates	1000 kg	1
1d	<a href="#">2249980</a>	Set of 10 load plates - 1 fall	800 Kg	1
2	<a href="#">2242028</a>	Lifting hook block - Self locking type	2 falls	1
2	<a href="#">52371860</a>	Lifting hook block - Stainless steel type	630kg-2m & 1000kg-1Bm - 2 falls	1
2	<a href="#">52371861</a>	Lifting hook block - Stainless steel type	1 250 kg-1Bm - 2 falls	1
2	<a href="#">2249906</a>	Lifting hook block - Standard type	2 falls	1
2a	<a href="#">A001513</a>	Safety latch - Steel wire type	C10 : 2 falls - C16 : 1 fall 1600 Kg	1
2a	<a href="#">2242017</a>	Safety latch - Steel plate type	C16 : 1 fall - 1600 kg Accrochage inférieur	1
2b	<a href="#">2242021</a>	Hook	C05 - C10 : 2 falls C16 : 1 fall Chain 9x27	1
2b	<a href="#">2267015</a>	Hook - Automatique	C10 : 2 falls - C16 : 1 fall Chain 9x27	1
2b	<a href="#">52370690</a>	Stainless steel lifting hook block	1250 kg-1Bm - 2 falls	1
2b	<a href="#">52370691</a>	Hook - Inox - 1 fall	Chain 9x27 630 kg-2m & 1 000kg-1Bm	1
2c	<a href="#">2249978</a>	Set of 2 half-casings with axle, return sprocket and screws axe, noix et visserie		1

2d	<u>2249996</u>	Set of 10 load plates - 2 falls	500 Kg	1
2d	<u>2249990</u>	Set of 10 load plates - 2 falls	630 Kg	1
2d	<u>2219915</u>	Set of 10 load plates - 2 falls	1000 Kg	1
2d	<u>2219936</u>	Set of 10 load plates - 2 falls	1250 Kg	1
2d	<u>52729984</u>	Set of 10 load plates - 2 falls	1500 Kg	1
2d	<u>2219959</u>	Set of 10 load plates - 2 falls	1600 Kg	1
2d	<u>2219916</u>	Set of 10 load plates - 2 falls	2000 Kg	1
2d	<u>2249996</u>	Set of 10 load plates - 2 falls	500 Kg	1
2d	<u>2249990</u>	Set of 10 load plates - 2 falls	630 Kg	1
2d	<u>2219915</u>	Set of 10 load plates - 2 falls	1000 Kg	1
2d	<u>2219936</u>	Set of 10 load plates - 2 falls	1250 Kg	1
2d	<u>52729984</u>	Set of 10 load plates - 2 falls	1500 Kg	1
2d	<u>2219959</u>	Set of 10 load plates - 2 falls	1600 Kg	1
2d	<u>2219916</u>	Set of 10 load plates - 2 falls	2000 Kg	1
3	<u>2243523</u>	Chain anchor assembly	2 falls	1
3a	<u>2243521</u>	Axe point fixe		1
4	<u>2242060</u>	Upper and lower chain guide assembly with rubber buffer		1
4a	<u>2244008</u>	Rubber buffer		1
4b	<u>2244011</u>	Upper chain guide	Chain 6.8x17.8	1
5a	<u>2249925</u>	Chain bucket	C05 : 16 m - C10 : 8 m	1
5b	<u>2249926</u>	Chain bucket	C05 : 30 m - C10 : 16 m	1
5c	<u>2249932</u>	Chain bucket	C05 : 50 m - C10 : 30 m	1
5d	<u>2249933</u>	Chain bucket	50 m	1
5e	<u>2211036</u>	Chain bucket for windmill	C05 : 80 m - C10 : 50 m	1
6	<u>2249942</u>	Slack fall stop assembly		1
7	<u>2243500V</u>	Galvanized load chain - 6.8x17.8	HDL + 1,5M - Short & Long	1
7	<u>2243501</u>	Black load chain - 4.8x12.5	Only for cyberhoist	1
7	<u>2243502V</u>	Stainless load chain		1
8	<u>2241045</u>	Load chain mounting tool		1
9	<u>9995008</u>	Oil can- 125 ml	For C-P-K hoist	1

### 3.1. Precut chain

Item	Reference	Description	Observation	Quantity
	<u>53020011</u>	Galvanized load chain 6.8x17.8	7 mètres	1
	<u>53020020</u>	Galvanized load chain 6.8x17.8	8,5 mètres	1
	<u>53020017</u>	Galvanized load chain 6.8x17.8	8 mètres	1
	<u>53020037</u>	Galvanized load chain 6.8x17.8	9 mètres	1
	<u>53020039</u>	Galvanized load chain 6.8x17.8	10 mètres	1
	<u>53020041</u>	Galvanized load chain 6.8x17.8	11 mètres	1
	<u>53020047</u>	Galvanized load chain 6.8x17.8	12 mètres	1
	<u>53020094</u>	Galvanized load chain 6.8x17.8	13 mètres	1
	<u>53020100</u>	Galvanized load chain 6.8x17.8	15 mètres	1
	<u>53020105</u>	Galvanized load chain 6.8x17.8	20 mètres	1
	<u>53020106</u>	Galvanized load chain 6.8x17.8	100 mètres	1

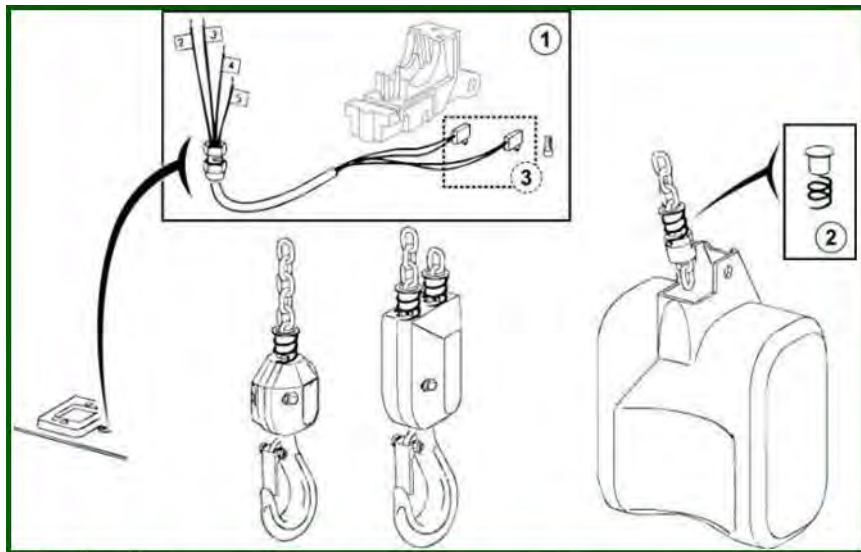
## 4. ELECTRIC BOX



Item	Reference	Description	Observation	Quantity
1	<u>2249965</u>	Electric cubicle (lid, cover, and screws)		1
2	<u>833098</u>	Rectifier Direct voltage	230 & 400 V Steel cubicle automotive	1
2	<u>833096</u>	Rectifier Direct voltage	500 V E type hoist only	1
2	<u>2243006</u>	Cubicle equiped - 2HS + 2TS + On/Off	400V 50&60Hz 48VAC	1
2	<u>2243033</u>	Printed circuit board - 2-speed hoist and travel + On/Off	230V 50&60Hz 48VAC	1
2	<u>2243034</u>	Printed circuit board - 2-speed hoist and travel + On/Off	400V 50&60Hz 48VAC	1
2	<u>2243003</u>	Printed circuit board - 2-speed hoisting + On/Off	230V 50&60Hz 48VAC	1
2	<u>2243004</u>	Printed circuit board - 2-speed hoisting + On/Off	400V 50&60Hz 48VAC	1
2	<u>2243011</u>	Printed circuit board - 2-speed hoisting + On/Off	400V 50&60Hz 115VAC	1
2	<u>2243009</u>	Printed circuit board - 2-speed hoisting + On/Off	460V 60Hz 48VAC	1
2	<u>2243002</u>	Printed circuit board - 2-speed hoisting + On/Off	500V 50&60Hz 48VAC	1
2	<u>2243016</u>	Printed circuit board - 2-speed hoisting + On/Off	575V 60Hz 115VAC	1
2	<u>2243005</u>	Printed circuit board - 2-speed hoisting + On/Off	575V 60HZ 48VAC	1
2	<u>2243018</u>	Printed circuit board - 2-speed hoisting + On/Off Reconnectable	230V-460V 60Hz 115VAC	1
2	<u>2243017</u>	Printed circuit board - 2-speed hoisting + On/Off Standard	230V-460V 60Hz 115VAC	1
2a	<u>2213002</u>	Time counter	50Hz - 48vac	1
2a	<u>2213027</u>	Time counter	60Hz - 48vac	1
2a	<u>2213028</u>	Time counter	60Hz - 115vac	1
2b	<u>7983051</u>	Emergency stop contactor K10	48VAC	1
2b	<u>7983055</u>	Emergency stop contactor K10	115VAC	1
2c	<u>7983052</u>	Reversing contactor K21 or K22 (coef.1)	48VAC	1
2c	<u>7983056</u>	Reversing contactor K21 or K22 (coef.2)	115VAC	1
2d	<u>7983053</u>	Selecting contactor K25	48VAC	1
2d	<u>7983057</u>	Selecting contactor K25	115VAC	1
2e	<u>7983023</u>	Transformer	230V 50 60Hz - 48vac	1
2e	<u>833639</u>	Transformer	230V-400V 50&60Hz48VAC 63VA	1
2e	<u>7983026</u>	Transformer	230V/460V 60Hz 115 vac	1
2e	<u>7983021</u>	Transformer	400V 50 60Hz - 48vac	1

2e	<u>7983029</u>	Transformer	400V 50 60Hz - 115vac	1
2e	<u>7983025</u>	Transformer	460V 50 60Hz - 48vac	1
2e	<u>7983022</u>	Transformer	500V 50 60Hz - 48vac	1
2e	<u>7983027</u>	Transformer	575V 60Hz - 115vac	1
2e	<u>7983024</u>	Transformer	575V 50 60Hz - 48vac	1
2f	<u>2243060</u>	Rectifier 230-400-460-500-575V	C05 - C25 Standard hoist or stagemaker E type hoist (direct voltage)	1
2f	<u>2243061</u>	Rectifier reconnectable 230-460V	C05 - C25 – Only USA	1
3	<u>2249979</u>	Set of 10 fuses	48V	1
3	<u>52330744</u>	Set of 10 fuses	115V	1
4	<u>2249947</u>	Cable gland assembly		1
5	<u>2219814</u>	Plug cover set		1
6	<u>2249945</u>	Push button station plug set	Male + female X23 - X22	1
6	<u>2249946</u>	Trolley plug set	Male + female X23 - X22	1
6	<u>2249982</u>	Power supply plug	Female plug X23 - X22	1
-	<u>7983061</u>	Emergency Stop contactor	48V - Since june 2003	1
-	<u>7983062</u>	K21 or K22 contactor	48V - Since june 2003	1
-	<u>7983063</u>	K25 contactor	48V - Since june 2003	1

## 5. UPPER AND LOWER LIMIT SWITCH



### Montage / Assembly

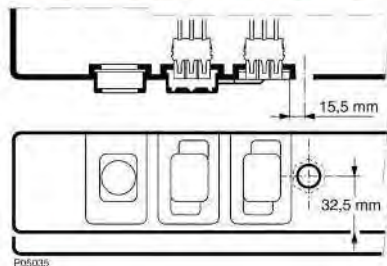
La butée de fin de course haut et bas se monte à la place de la butée caoutchouc (rep. 4a).

The limit switch is mounted in the place of the rubber buffer (rep. 4a).

Les vis CHc sont remplacées par des vis P90 M 6x30. The Chc screws are replaced by P90 M 6x30 screws.

Perçer le coffret électrique d'un trou Ø 16mm, suivant les côtes indiquées sur le dessin.

Drill the hole for the cable gland (PG) to the electric cubicle according to the drawing.



### ATTENTION !

Débrancher l'alimentation électrique avant toute intervention sur le coffret.

Cut off the mains power supply before doing any work on the electric cubicle.

Prendre garde de ne pas détériorer un élément de la platine pendant le perçage.

Take care not to damage any electrical components when drilling.

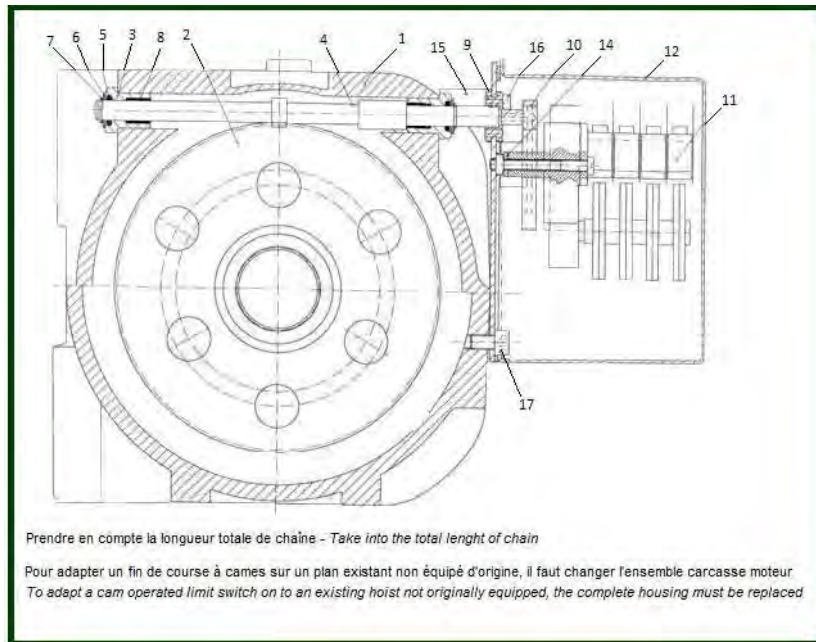
Placer le presse-étoupe, la tête hexagonale de celui-ci doit être bloquée par le bord de l'empreinte de prise encliquetable.

Insert the PG into the hole you have drilled, the side of the nut should be against the side of the nearby fast plug connector to avoid the nut's turning when tightening.

Faire passer les fils électriques par le presse-étoupe et suivre les indications portées sur ceux-ci pour les brancher aux bornes de la platine, à la place des shunts. Pass the cables through the PG and follow the markings on them to connect the cables to the shunt on the PCB board.

Item	Reference	Description	Observation	Quantity
1	<a href="#">2242061</a>	Micro-switches assembly & lower chain guide		1
1+2	<a href="#">2243050</a>	Micro-switches assembly & spring & lower chain guide		1
2	<a href="#">2241068</a>	Spring assembly + support	Set of 3	1
3	<a href="#">7291040</a>	Micro-switch - CSA type	Before 12/2005	2
3	<a href="#">7291030</a>	Micro-contact standard	Before 12/2005	2
3	<a href="#">52326175</a>	Micro-contact standard & CSA	After 12/2005	1
	<a href="#">52329084</a>	Limit switch assembly	After 12/2005	1

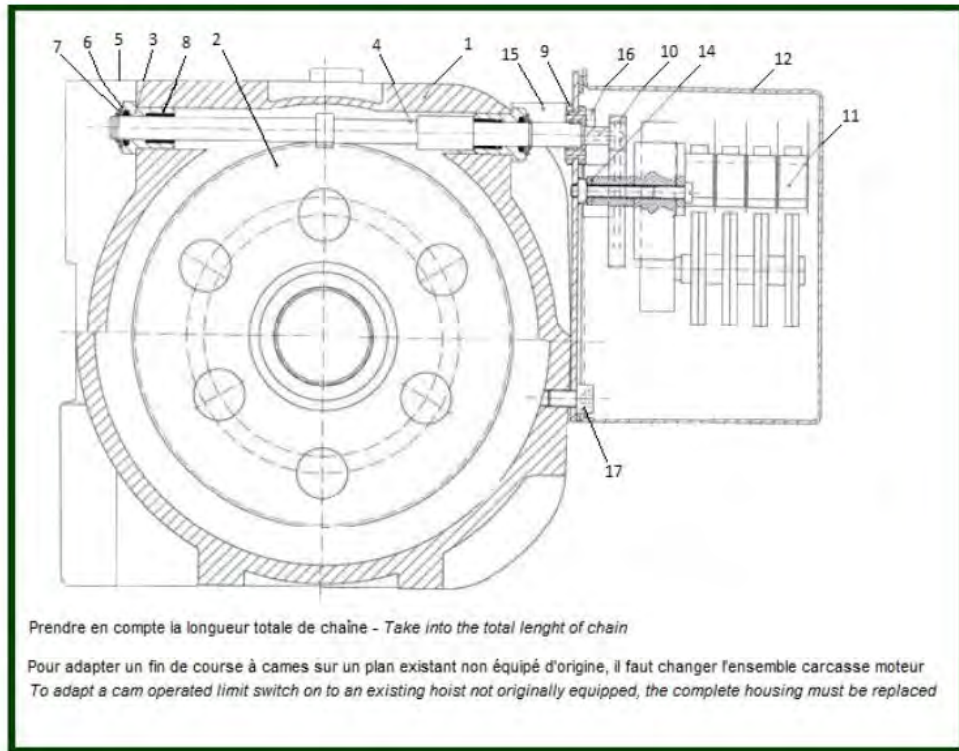
## 6. FIN DE COURSE A CAME EXT (OPTION)



Item	Reference	Description	Observation	Quantity
2	<a href="#">2249071</a>	Planet gear support		1
10	<a href="#">2249075</a>	Pinion - 24 teeth		1
-	<a href="#">52304656</a>	Bush assembly	8+3	1
-	<a href="#">52304655</a>	Shaft assembly	4+5+6+7	1
-	<a href="#">2249045</a>	Enclosure assembly	9+12+13+15+16+17+18+19	1
A	<a href="#">2249076</a>	2 cam limit switch 0 to 10m	10+11+14	1
A	<a href="#">2249077</a>	4 cam limit switch 0 to 10m	10+11+14	1
A	<a href="#">2249078</a>	2 cam limit switch > 10m	10+11+14	1
A	<a href="#">2249079</a>	4 cam limit switch >10m	10+11+14	1

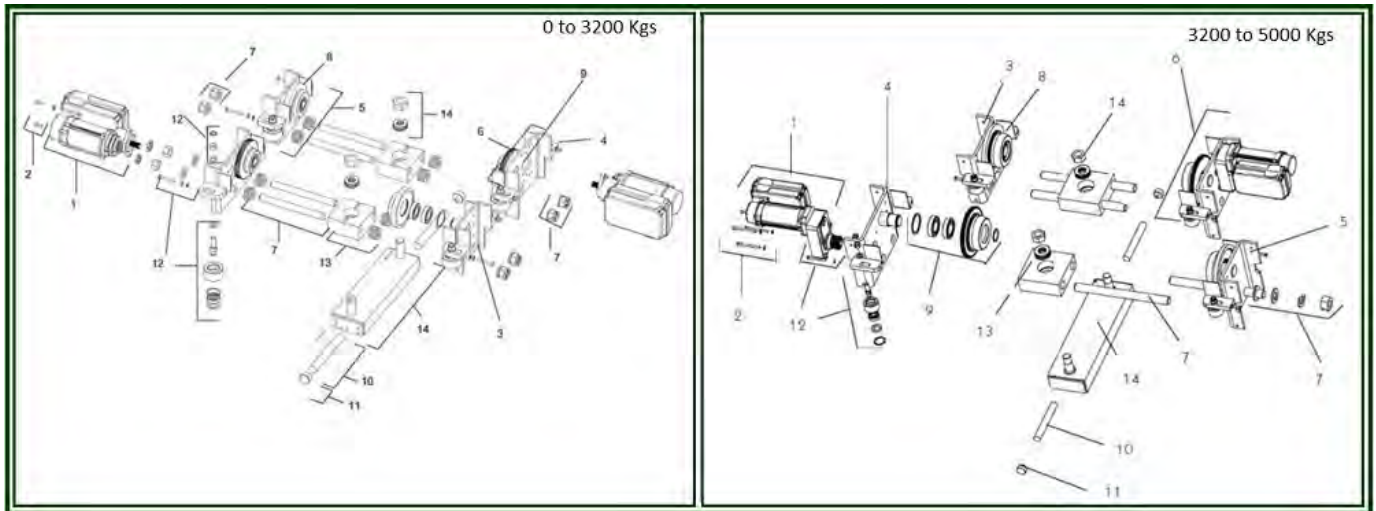


### 6.1. Cam operated limit switch int (option)

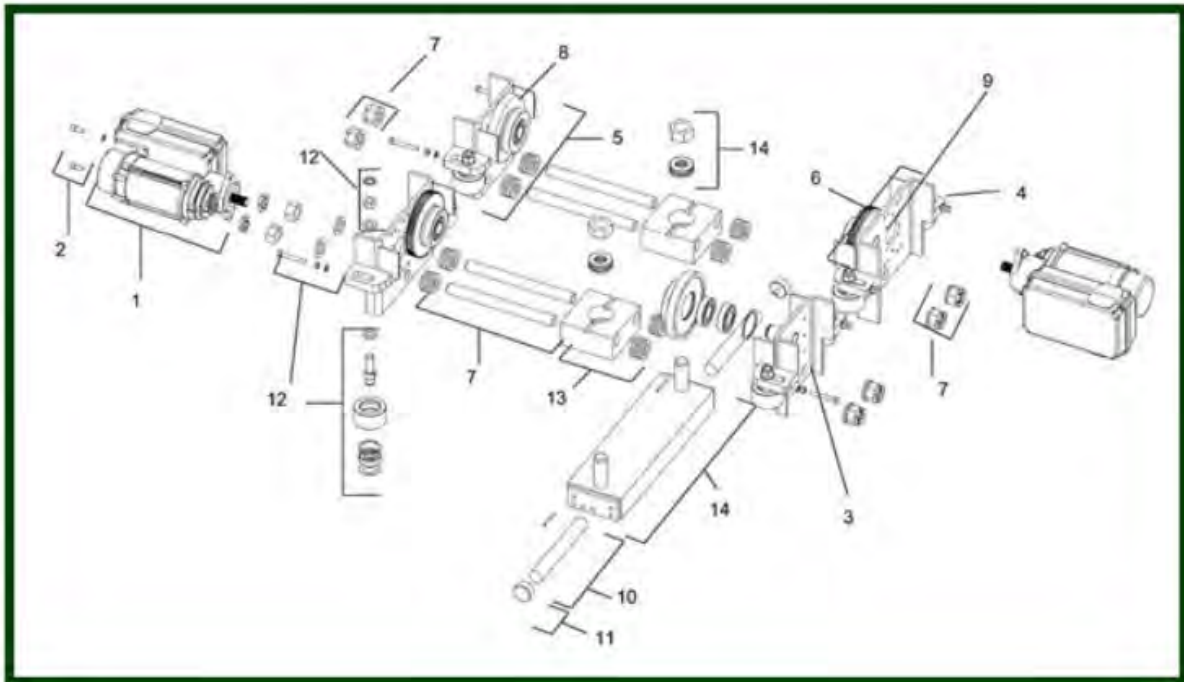


Item	Reference	Description	Observation	Quantity
2	<a href="#">2249071</a>	Planet gear support		1
10	<a href="#">2249075</a>	Pinion - 24 teeth		1
-	<a href="#">52304656</a>	Bush assembly	8+3	1
-	<a href="#">52392457</a>	Shaft assembly	4+5+6+7	1
-	<a href="#">2243010</a>	Electric cubicle (lid, cover, and screws) metal		1
A	<a href="#">2249076</a>	2 cam limit switch 0 to 10m	10+11+14	1
A	<a href="#">2249077</a>	4 cam limit switch 0 to 10m	10+11+14	1
A	<a href="#">2249078</a>	2 cam limit switch > 10m	10+11+14	1
A	<a href="#">2249079</a>	4 cam limit switch >10m	10+11+14	1

## 7. SWIVELLING TROLLEY – After 2003



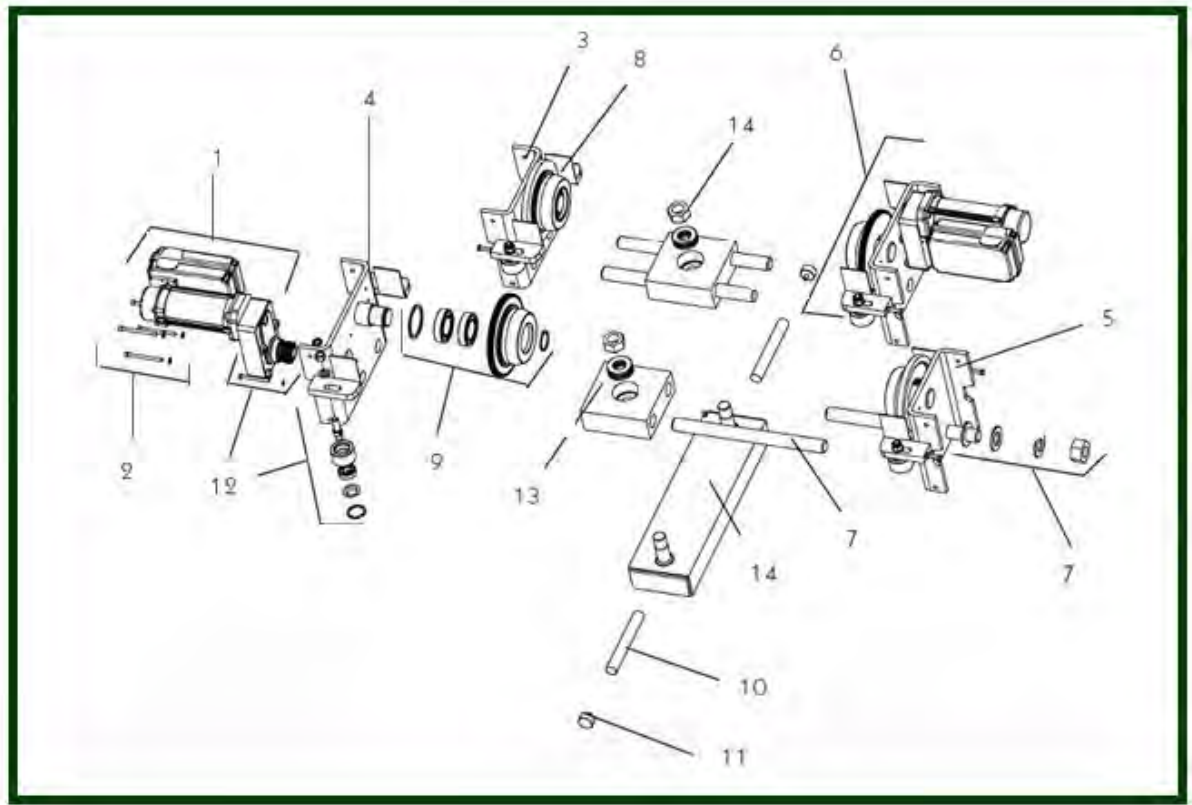
7.1. From 0 to 3200 Kgs



From 0 to 3200 Kgs

Item	Reference	Description	Observation	Quantity
1	<u>52304882</u>	TMU motor 400V 48V-0.3Kw	<3200kg <5000kg - Short & long - C10	2
1	<u>52299089</u>	TMU motor 400V 48V-0.15Kw	C01 trolley only Load <= 1000 kg	2
1	<u>52299090</u>	TMU motor 400V 115V-0.3Kw	C01 trolley only Load <= 1000 kg	2
1	<u>52304881</u>	TMU motor 400V 115V-0.3Kw / 5T	Load > 1000kg	2
2	<u>52311193</u>	Motor fixing screw and washer	Short & long	4
3	<u>52299591</u>	Travel wheel beam + axle	TMU	2
4	<u>52299593</u>	Travel wheel beam + axle	TMU	2
5	<u>52299598</u>	Side plate (free)		2
6	<u>52299599</u>	Side plate (drive) motor		2
7	<u>556966</u>	Tie rod 66 to 110 mm		1
7	<u>556967</u>	Tie rod 113 to 170 mm		1
7	<u>556968</u>	Tie rod 178 to 240 mm		1
7	<u>556969</u>	Tie rod 248 to 310 mm		1
8	<u>558928</u>	Travel wheel idler without shaft	<3200kg - C3 Ø 100x150 mm - Standard	2
9	<u>558929</u>	Travel wheel driving - 99 teeth	<3200kg - C3 Ø 100x150 mm - Standard	2
10	<u>556962</u>	Buffer extension		2
11	<u>558993</u>	Bumper	<3200kg <5000kg	2
12	<u>4501211W</u>	Roller guide set		8
13	<u>5502103X</u>	Crosshead only		2
14	<u>52314816</u>	Coupling cross bar set	C05	1
14	<u>52314817</u>	Coupling cross bar set	C10	1
	<u>52306470</u>	Cubicle		1

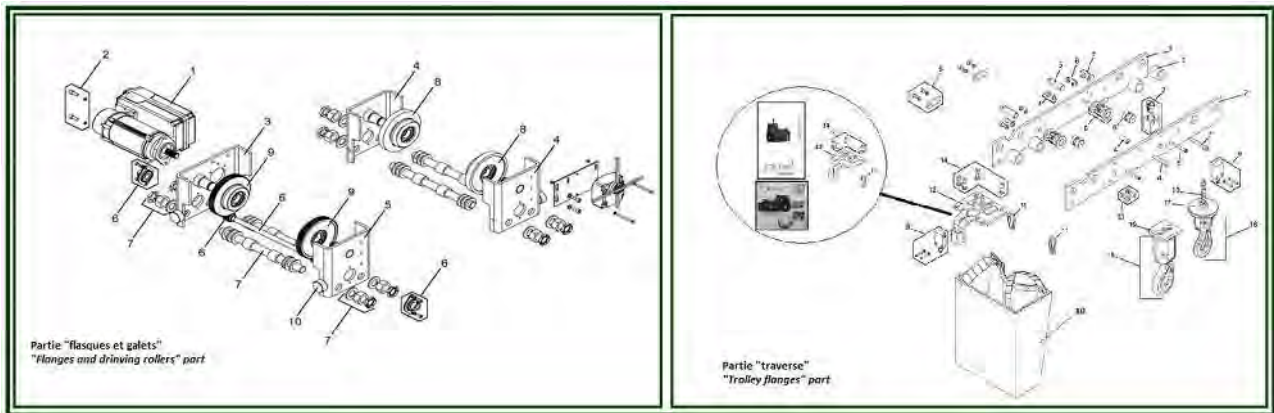
7.2. From 3200 to 5000 Kgs



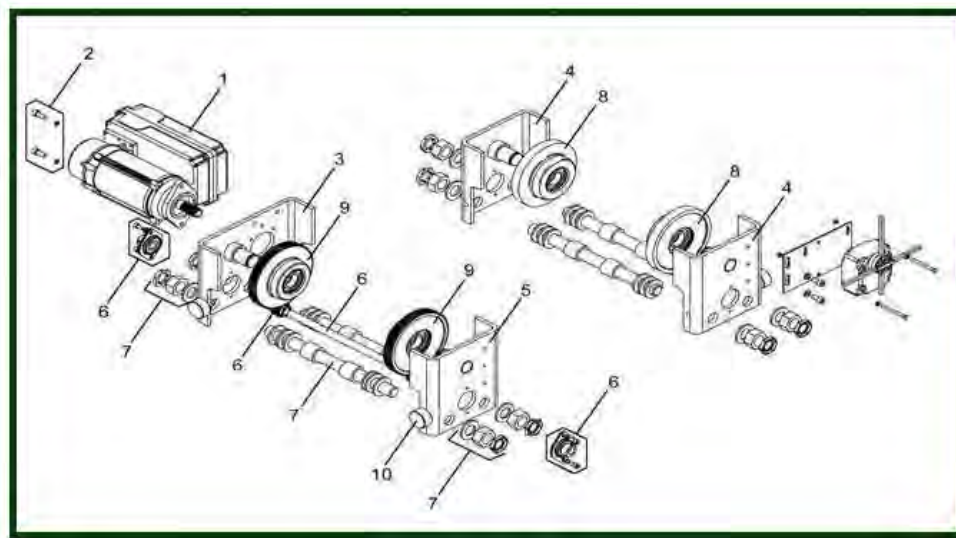
From 3200 to 5000 Kgs

Item	Reference	Description	Observation	Quantity
1	<a href="#">52332076</a>	Motor 400V / 48V / 50 Hz		2
1	<a href="#">52328891</a>	Motor 400V / 115V / 50 Hz		2
2	<a href="#">VT0001271</a>	Screw + washer fixing motor		8
3	<a href="#">52330358</a>	Travel wheel beam + axle		2
4	<a href="#">52330360</a>	Travel wheel beam + axle		2
5	<a href="#">52330361</a>	Side plate (free)		2
6	<a href="#">52330362</a>	Side plate (drive) motor		2
7	<a href="#">52333038</a>	Tie rod 100 to 149 mm		4
7	<a href="#">52333039</a>	Tie rod 150 mm		4
7	<a href="#">52333040</a>	Tie rod 151 to 199 mm		4
7	<a href="#">52333042</a>	Tie rod 200 to 222 mm		4
7	<a href="#">52333044</a>	Tie rod 223 to 249 mm		4
7	<a href="#">52333045</a>	Tie rod 250 to 299 mm		4
7	<a href="#">52333046</a>	Tie rod 300 to 310 mm		4
8	<a href="#">52330352</a>	Complete idle wheel		2
9	<a href="#">52330355</a>	Complete driving wheel		2
10	<a href="#">556962</a>	Buffer extension		2
11	<a href="#">558993</a>	Bumper	C2-C3-C5	2
12	<a href="#">4501211W</a>	Roller guide set		8
13	<a href="#">5512106V</a>	Crosshead only		2
14	<a href="#">556970</a>	Coupling cross bar set		1

## 8. LOW HEADROOM TROLLEY WITH TMU MOTOR – After june 2003



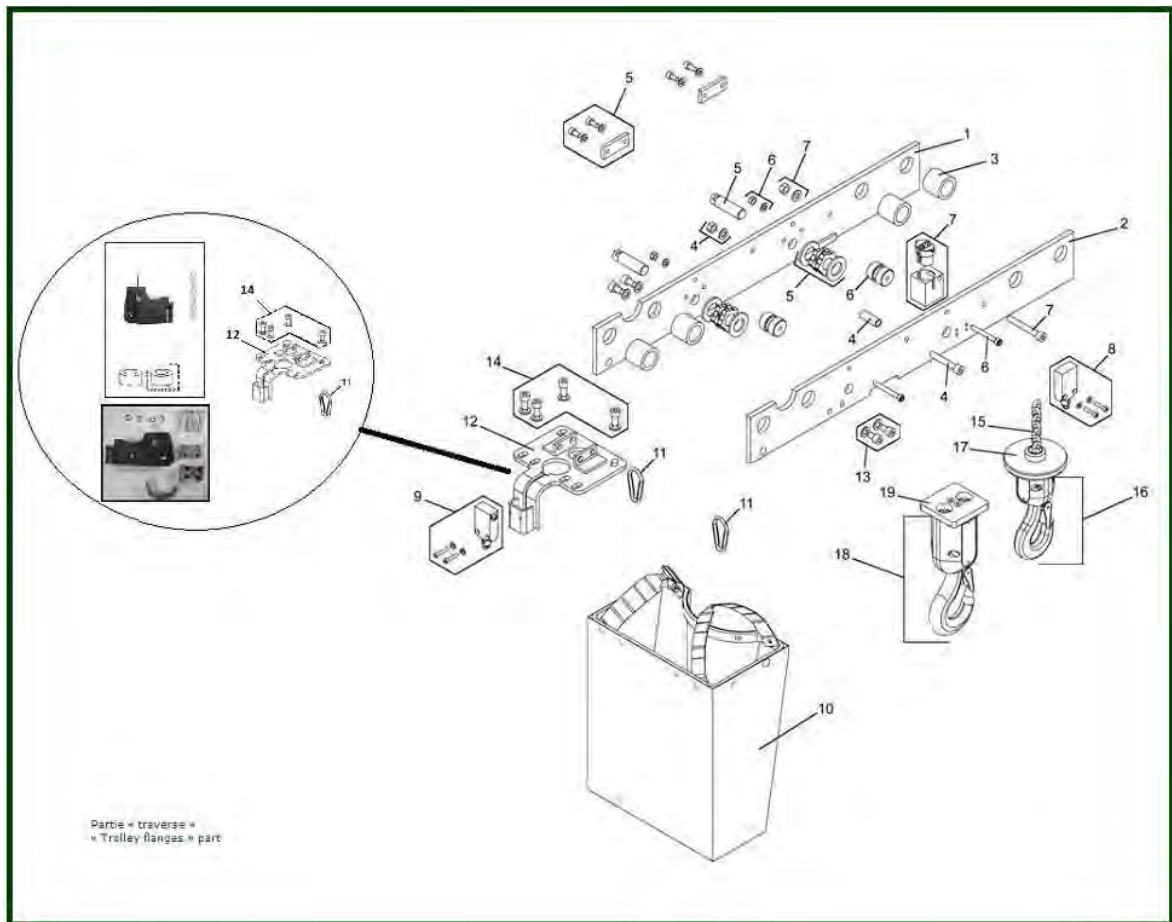
## 8.1. Trolley



Item	Reference	Description	Observation	Quantity
1	<a href="#">52304881</a>	TMU motor 400V 115V-0.3Kw / 5T	Load > 1000kg	1
1	<a href="#">52304882</a>	TMU motor 400V 48V-0.3Kw	<3200kg <5000kg - Short & long - C10	1
2	<a href="#">52311193</a>	Motor fixing screw and washer	Short & long	2
3	<a href="#">52299590</a>	Motor side flange + welded shaft	Short & long	1
4 & 5	<a href="#">52299589</a>	Synchro flange + welded shaft	Gear side flange (item 4) => Qty : 2 Synchro flange (item 5) => Qty : 1 Short & long	1
6	<a href="#">52311194</a>	Shaft assembly	Short & long	1
7	<a href="#">556902</a>	Kit rod	58 to 110 mm	1
7	<a href="#">556903</a>	Kit rod	113 to 170 mm	1
7	<a href="#">556904</a>	Kit rod	178 to 240 mm	1
7	<a href="#">556905</a>	Kit rod	248 to 310 mm	1
8	<a href="#">558928</a>	Travel wheel idler without shaft	<3200kg	2
9	<a href="#">558929</a>	Travel wheel driving - 99 teeth	<3200kg	2
10	<a href="#">558993</a>	Bumper	<3200kg <5000kg	4
	<a href="#">601805</a>	Limit switch trigger	1 for 1 step - 2 for 2 step	1

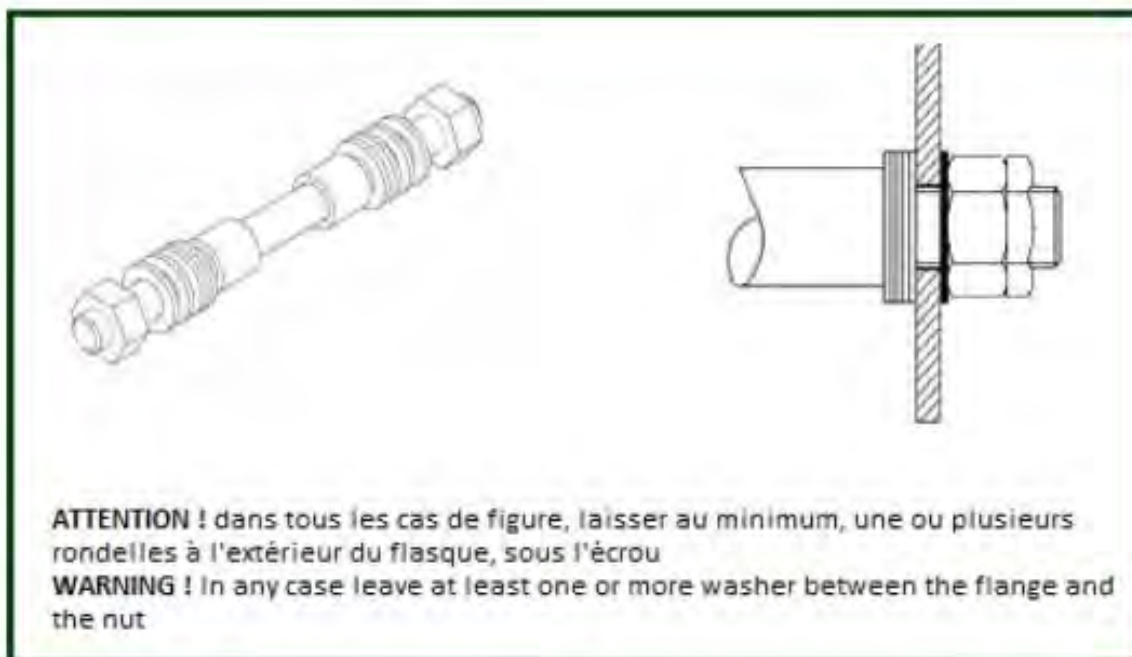


## 8.2. Coupling cross member & lower suspension



Item	Reference	Description	Observation	Quantity
1	<u>2244502</u>	Motor crosshead	Court	1
1	<u>2244512</u>	Motor crosshead	Long	1
2	<u>2244501</u>	Idle crosshead	Court	1
2	<u>2244511</u>	Idle crosshead	Long	1
3	<u>558968</u>	Spacer tube - Ø 35 mm	C2 - Short & Long	4
4	<u>556938</u>	Spacer tube - Ø 12 mm	Long	3
5	<u>52304653</u>	Return sprocket assembly	Short & Long	2
6	<u>52311199</u>	Diabolo set	Short=> Qty : 1 - Long => Qty : 2	1
7	<u>2244506</u>	Chain anchor assembly	Short & Long	1
8 & 9	<u>52311200</u>	Limit switch set		1
10	<u>52386341</u>	Chain bucket	C5 : 40 m - C10 : 20 m	1
10	<u>52333407</u>	Chain bucket - 20 m	C10 - Short & Long - Version A Since May 2006	1
11	<u>830870</u>	Chain bucket fixing	Short - Long	2
12	<u>52333628</u>	Hoist support plate + lower plastic guide	Short & Long	1
13	<u>52311201</u>	Fixing set	Court-Long	1
14	<u>52311202</u>	Hoist fixing set	Court-Long	1
15	<u>2243500V</u>	Galvanized load chain 6.8x17.8	HDL + 1,5M - Short & Long	1
16	<u>2249905</u>	Lower hook block assy	1 fall - Court-Long	1
17	<u>557939</u>	Counterweight for hook - 1 fall	Short & Long	1
18	<u>52387611</u>	Lower hook block assy - 2 falls	Short & Long	1
	<u>52324133</u>	Triggering washer	C10 HPR – Lower GLS	1
	-	Brake with fittings	Not supplied anymore replaced by 52309591	1

### 8.3. Flange adjustment



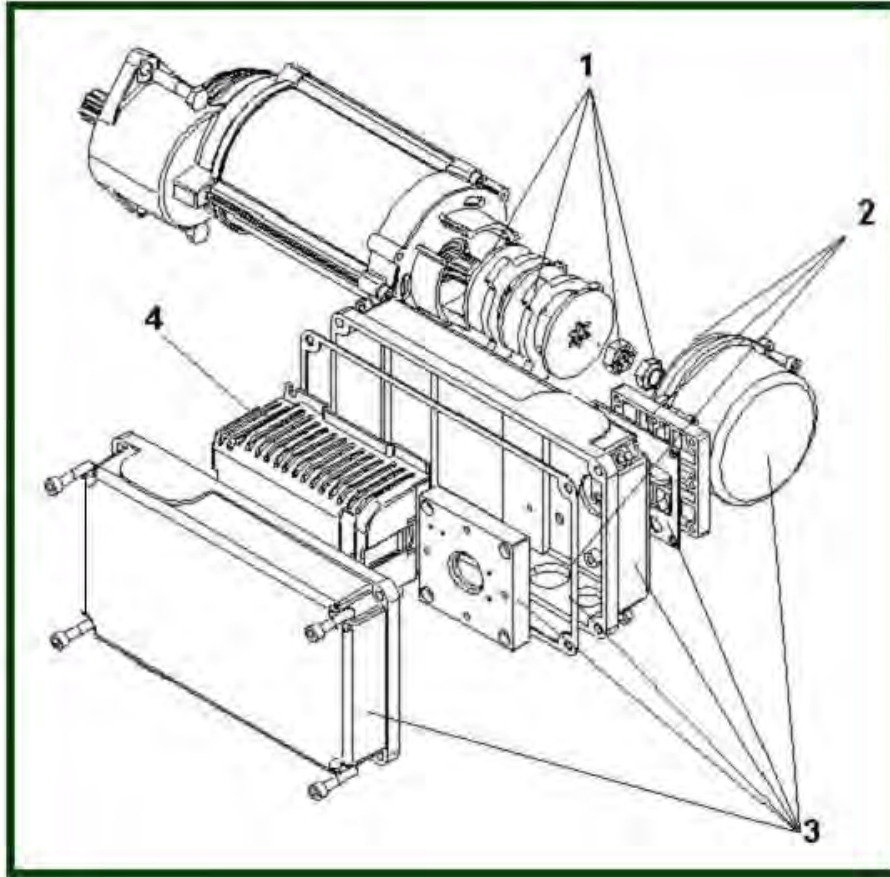
Largeur de fer	Longueur des tirants M24	Quantité + longueur des bagues de réglage*	Quantité de rondelle*	
			ep 4 mm	ep 2mm
58	260mm	2 x32mm	2	2
64			4	1
66			4	2
72			6	1
73			6	2
74			6	2
81			8	2
82			8	2
89			10	2
90			10	2
91			10	3
98			12	2
100			12	3
106			14	2
108			14	3
110			16	0

Largeur de fer	Longueur des tirants M24	Quantité + longueur des bagues de réglage*	Quantité de rondelle*	
			ep 4 mm	ep 2mm
113	325mm	4 x 32mm	0	1
118			2	0
119			2	0
120			2	1
125			2	3
126			4	0
131			4	2
133			6	0
135			6	1
137			6	1
140			6	3
143			8	0
146			8	2
147			8	3
149			8	3
150			10	0
155			10	2
158			12	0
160			12	1
166			14	0
168	14	1		
170	14	2		
178	390 mm	2 x 96 mm + 2 x32 mm	0	2
180			0	3
185			2	1
186			2	2
188			2	3
190			4	0
198			6	0
200			6	1
206			8	0
210			8	2
215			10	0
218			10	2
220			10	3
226			12	2
240			16	1

Largeur de fer	Longueur des tirants M24	Quantité + longueur des bagues de réglage*	Quantité de rondelle*	
			ep 4 mm	ep 2mm
248	460 mm	2 x 96 mm + 2 x32 mm	2	1
260			4	3
268			6	3
280			10	1
288			12	1
300			14	3
302			16	0
303			16	1
304			16	1
305			16	2
306			16	2
307			16	3
308			16	3
309			18	0
310			18	0

- Quantité de rondelles à répartir de chaque côté du tirant
- The amount of washers must be balanced on each side

#### 8.4. Travelling machinery



Item	Reference	Description	Observation	Quantity
1	<a href="#">52296293</a>	Brake repair set	M06-001V	1
2	<a href="#">52300292</a>	Sealing set	M06-008V	1
3	<a href="#">52300291</a>	Terminal box	M06-007V	1
4	<a href="#">52300287</a>	Inverter 48 V + filter	M06-003V	1
4	<a href="#">52300288</a>	Inverter 115 V + filter	M06-004V	1
-	<a href="#">52297959</a>	Connection cable	CCGCELCP-04	1
-	<a href="#">52304881</a>	TMU motor 400V 115V-0.3kw / 5T	Load > 1000kg	1
-	<a href="#">52304882</a>	TMU motor 400V 48V-0.3kw	<3200kg <5000kg Short & long- C10	1
-	<a href="#">52297191</a>	Reducer	GEL105PT1B0	1