

Spare parts catalog for "VL16-VL20-VL25-XC3"

To avoid errors, when ordering please specify:

- Complete type of hoist
- Date of manufacture and serial number
- Spare part code
- Spare part designation
- Additional information



0) HOIST DESCRIPTION

1) HOISTING MOTOR AND CASING

1.1) Hoisting motor and casing (new)

2) GEAR

2.1) Double brake-Optional

3) LIFTING ASSEMBLY

3.1) Precut chain

4) ELECTRIC BOX

4.1) Upper and lower limit switches - since may 2006

4.2) Rotating limit switch - 2 steps

4.3) Rotating limit switch - 4 steps

4.4) 2 cam rotating limit switch - after 2009

5) ELECTRIC TROLLEY - MAIN DRAWING - 3 FALLS

6) 3 FALLS CROSS MEMBER

7) 3 FALLS HOOKBLOCK

8) 3 & 4 FALLS CHAIN BAG

9) SYNCHRO ASSY - 3 FALLS

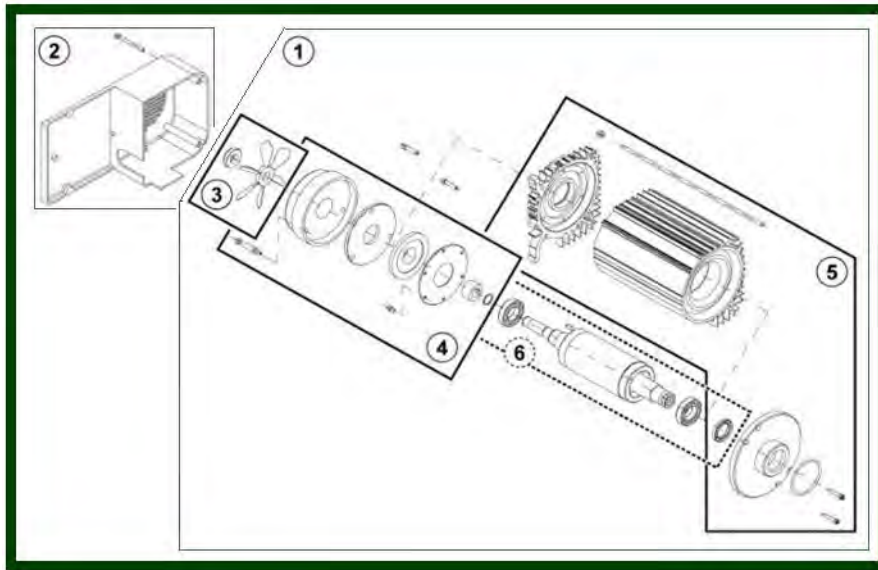
10) FIXING OF THE PULLING WHEEL

0) Hoist description

Type de palan VERLINDE	Type de palan UNEPAL	Charge de charge	Nbre de brins	Vitesse m / min	Puissance mot. / KW	Rapport de réduction	FEM	Chaîne
Type of hoist VERLINDE	Type of hoist UNEPAL	Load capacity	Nber of falls	Speedm / min	Motor power . / KW	Gear ratio		chain
VL 16 1008 b2	100XC318W2	1000 Kg	1	8 / 2	3,5 / 0,86	113	2 m	9 / 27
VL 16 1608 b1	160XC318W1	1600 Kg	1	8 / 2	3,5 / 0,86	113	1 Bm	9 / 27
VL 16 2004 b2	200XC324W2	2000 Kg	2	4 / 1	3,5 / 0,86	113	2 m	9 / 27
VL 16 3204 b1	320XC324W1	3200 Kg	2	4 / 1	3,5 / 0,86	113	1 Bm	9 / 27
VL 16 2504 b1	250XC324W1	2500 Kg	2	4 / 1	3,5 / 0,86	113	1 Bm	9 / 27
VL 20 2008 b1	200XC318W1	2000 Kg	1	8 / 2	3,5 / 0,86	113	1 Bm	11,3 / 31
VL 20 2504 b2	250XC324W2	2500 Kg	2	4 / 1	3,5 / 0,86	113	2m	11,3 / 31
VL 20 4004 b1	400XC324W1	4000 Kg	2	4 / 1	3,5 / 0,86	113	1 Bm	11,3 / 31
VL 25 1606 b2	160XC316W2	1600 Kg	1	6,3/ 1,6	3,5 / 0,86	145	2m	11,3 / 31
VL 25 2506 b1	250XC316W1	2500 Kg	1	6,3/ 1,6	3,5 / 0,86	145	1 Bm	11,3 / 31
VL 25 3203 b2	320XC323W2	3200 Kg	2	3,2/0,7	3,5 / 0,86	145	2m	11,3 / 31
VL 25 5003 b1	500XC323W1	5000 Kg	2	3,2/0,7	3,5 / 0,86	145	1 Bm	11,3 / 31

1) Hoisting motor and casing

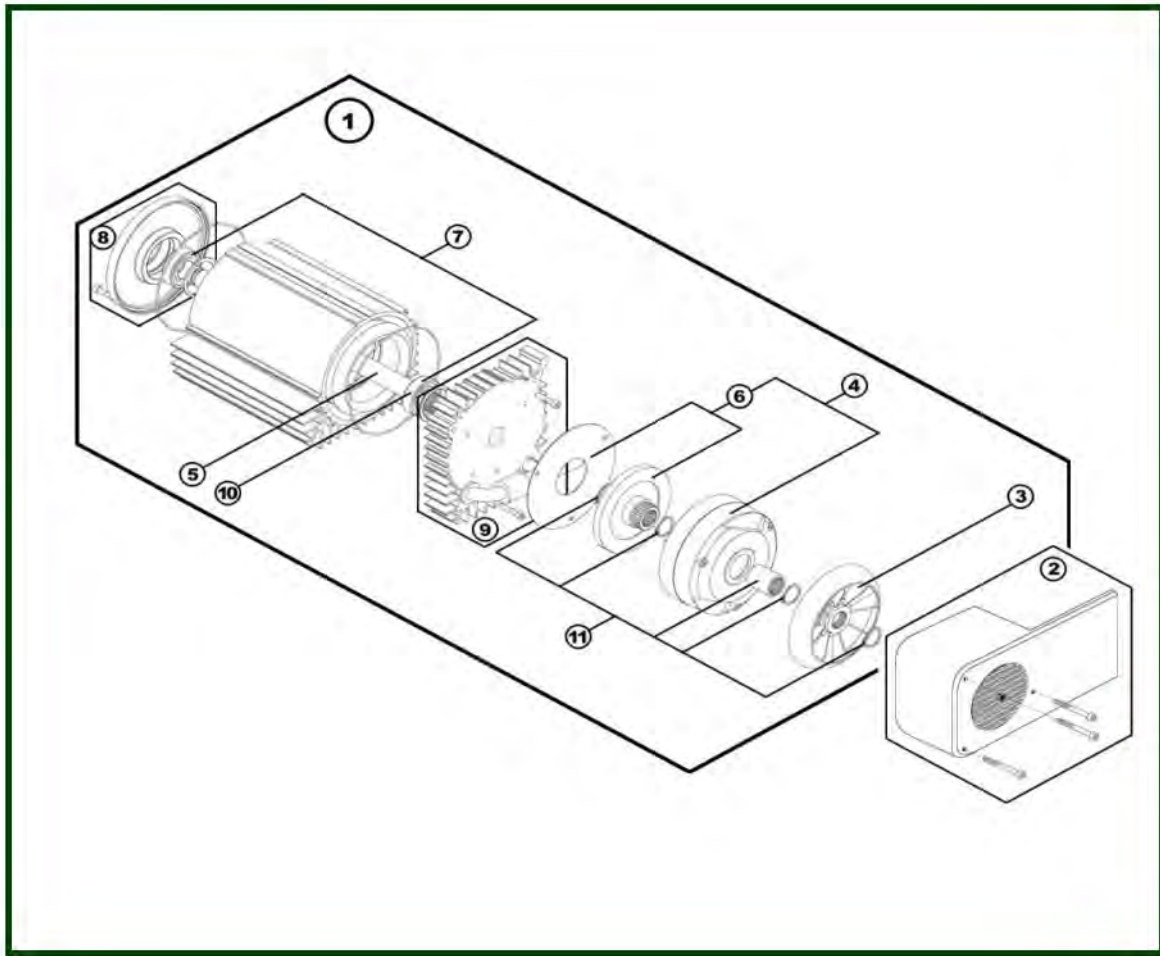
Avant/Before S/N 0352273 (52273)



item	reference	description	observation	Quantity
1	2245030	Complete motor 230V/50Hz	C16-C20	1
1	2245035	Complete motor 230V/50Hz	C25	1
1	2245033	Complete motor 230V/60Hz	C16-C20	1
1	2245038	Complete motor 230V/60Hz	C25	1
1	2245036	Complete motor 400V/50Hz-46V/60Hz	C25	1
1	2245031	Complete motor 400V/50Hz-460V/60Hz	C16-C20	1
1	2245034	Complete motor 400V/60Hz	C16-C20	1
1	2245039	Complete motor 400V/60Hz	C25	1
1	2245032	Complete motor 500V/50Hz-575V/60Hz	C16-C20	1
1	2245037	Complete motor 500V/50Hz-575V/60Hz	C25	1
2	2279901	Brake end cap with screws		1
3	2279906	Fan set		1
4	2279956	Brake assembly - 95 V		1
4	2279957	Brake assembly - 190 V		1
4	2279958	Brake assembly - 225 V		1
5	2279907	Stator assembly		1
6	2279909	Rotor assembly		1
-	52316219	Brake disk and pinions		1
-	52314616	Brake pinion replacement kit		1

1.1) Hoisting motor and casing (new)

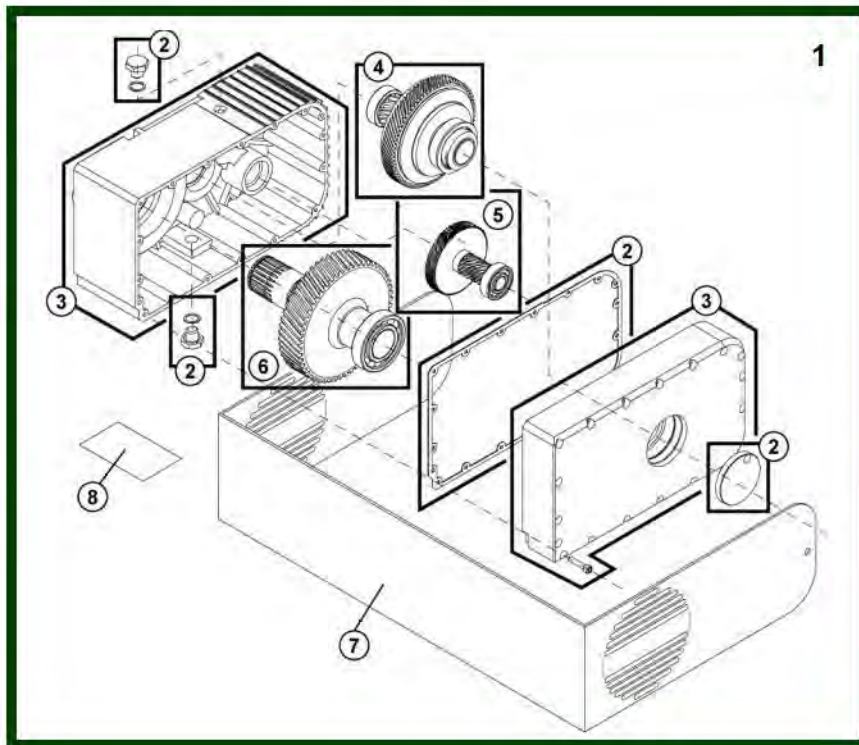
Après mai/After may 2003 S/N 0352273 (C52273)



item	reference	description	observation	Quantity
1	2245030	Complete motor 230V/50Hz	C16-C20	1
1	2245035	Complete motor 230V/50Hz	C25	1
1	2245033	Complete motor 230V/60Hz	C16-C20	1
1	2245038	Complete motor 230V/60Hz	C25	1
1	2245036	Complete motor 400V/50Hz-46V/60Hz	C25	1
1	2245031	Complete motor 400V/50Hz-460V/60Hz	C16-C20	1
1	2245034	Complete motor 400V/60Hz	C16-C20	1
1	2245039	Complete motor 400V/60Hz	C25	1
1	2245032	Complete motor 500V/50Hz-575V/60Hz	C16-C20	1
1	2245037	Complete motor 500V/50Hz-575V/60Hz	C25	1
2	2279901	Brake end cap with screws		1
3	2275040	Fan set		1
4	2275045	Brake assembly - 100V		1
4	2275042	Brake assembly - 180V		1
4	2275043	Brake assembly - 240V		1
4	2275044	Brake assembly - 290V		1
5	2275051	Rotor assembly - 2 speeds		1
5	2275052	Rotor assembly inverter		1

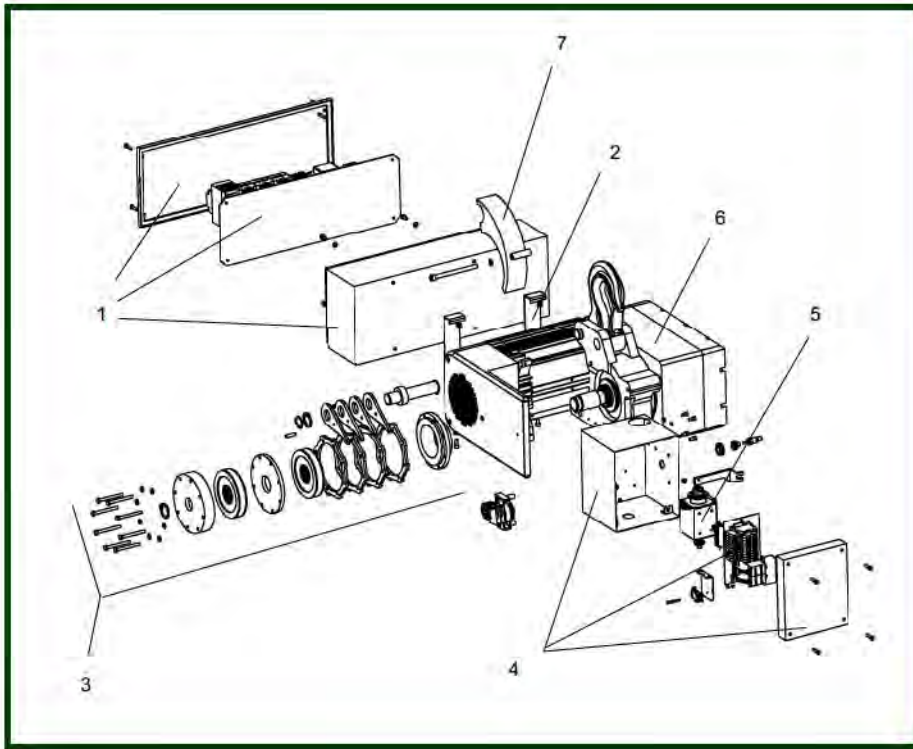
6	<u>2275041</u>	Brake disc assembly for 2 speeds and inverter motor	1
7	<u>2275049</u>	Bearing set 2 speeds motor	1
7	<u>2275050</u>	Bearing set inverter motor	1
8	<u>2275046</u>	Gearbox side end flange	1
9	<u>2275047</u>	Brake side end flange	1
10	<u>2275048</u>	Sensor bearing (inverter)	1
11	<u>2275053</u>	Circlip and splined tube assembly	1
-	<u>2279550</u>	Rain cover	1

2) Gear



item	reference	description	observation	Quantity
1	2260500	Hoisting gearbox - Type 113	C16-C20	1
1	2270500	Hoisting gearbox - Type 144.2	C25	1
2	2279923	Set of seals		1
3	2270000	Casing		1
4	2279904	Gear set 2 step (load limiter)		1
5	2279902	Gear set 1 step - Type 113	C16-C20	1
5	2279903	Gear set 1 step - Type 144.2	C25	1
6	2279905	Gear set 3 step		1
7	2266031	Stickers and cover set VL16		1
7	2266041	Stickers and cover set VL 20		1
7	2276031	Stickers and cover set VL 25		1
8	2219922	Set of 10 load plates	1000 Kg	1
8	2219923	Set of 10 load plates	1600 Kg	1
8	2219924	Set of 10 load plates	2000 Kg	1
8	2219892	Set of 10 load plates	2500 kg	1
8	2219893	Set of 10 load plates	3200 kg	1
8	2219894	Set of 10 load plates	4000 kg	1
8	2219895	Set of 10 load plates	5000 kg	1
-	2271008	Clutch nut	M35X1.5	1

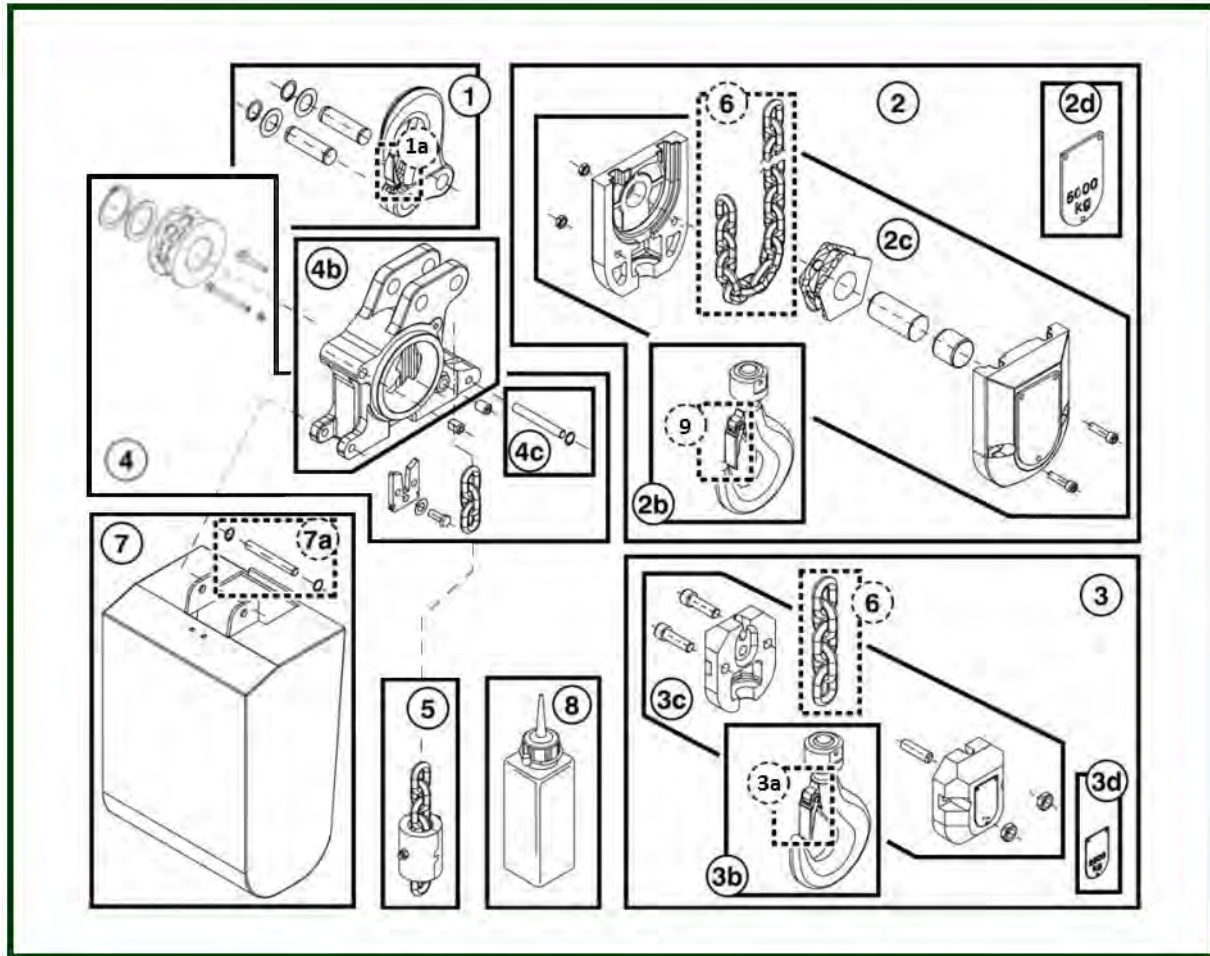
2.1) Double brake-Optional



item	reference	description	observation	Quantity
1	52336943	Low voltage cubicle assembly		1
2	52338342	Low voltage cubicle support bracket		1
3	52337007	Brake assembly		1
4	52336944	Jack cubicle assembly		1
5	52335461	Jack		1
6	52337923	Gearbox GE25-1 - 8/2 m/min		1
6	52337909	Gearbox GE25-4 - 6.3/1.6m/min		1
7	52335439	Protective cover set		1

3) Lifting Assembly

Depuis Juillet 2004 : le bac est en plastique / Since July 2004 the chain bucket are now in plastic



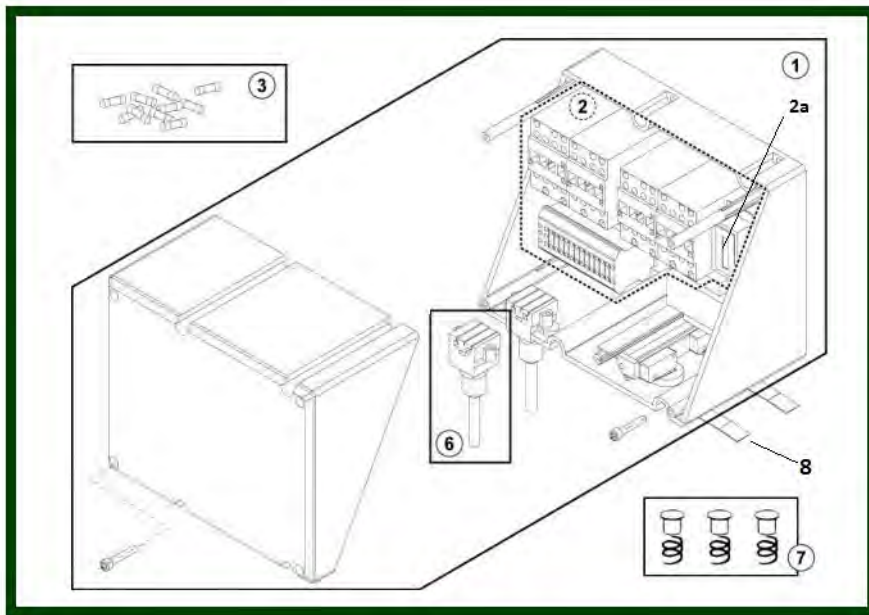
item	reference	description	observation	Quantity
1	2279955	Suspension hook assembly perpendicular	C16-C20-C25	1
1bis	2279920	Perpendicular suspension bracket assembly	C16 - Chariot/Trolley C3	1
1bis	2279921	Perpendicular suspension bracket assembly	C16 - Chariot/Trolley C5	1
2	2269915	Hook block assembly	C16 - 2 brins / 2 falls - Chaîne / Chain 9x27	1
2	2279915	Hook block assembly	C20-C25 - 2 brins / 2 falls - Chaîne / Chain 11.3x31mm	1
2	52371864	Hook block assembly - Stainless steel	2 brins / 2 falls - Chaîne / Chain 9x27	1
2	52386396	Hook block assembly - Stainless steel	2 brins / 2 falls - Chaîne / Chain 11.3x31mm	1
2b	52339567	Automatic hook	C16 - 2 brins / 2 falls - Chaîne / Chain 9x27	1
2b	52339568	Automatic hook	C20 - 2 brins / 2 falls - Chaîne / Chain 11.3x31	1
2b	52339569	Automatic hook	C25 - 2 brins / 2 falls - Chaîne / Chain 11.3x31	1
2b	2267000	Hook - 2falls	C16 - Chaîne / Chain 9x27	1
2b	2277001	Hook - 2falls	C20-C25 - Chaîne / Chain 11.3x31	1
2b	52370692	Hook - Stainless steel	2 brins / 2 falls - Chaîne / Chain 9x27	1
2b	52386394	Hook - Stainless steel	2 brins / 2 falls - Chaîne / Chain 11.3x31 - Max 3.2T	1
2b	52291845	Lower hook block	3 brins / 3 falls - Chaîne / Chain 11.3x31 - 7.5 T	1
2c	2269916	Set of 2 half-casings with axle, return sprocket, and screws	C16 - Chaîne / Chain 9x27	1
2c	2279916	Set of 2 half-casings with axle, return sprocket, and screws	C20-C25 - Chaîne/Chain 11,3x31	1
2d	2269902	Set of 10 load plates - 2 falls	C16 - 2000 kgs - Chaîne / Chain 9x27	1
2d	2269920	Set of 10 load plates - 2 falls	C16 - 2500 kg - Chaîne / Chain 9x27	1
2d	2269903	Set of 10 load plates - 2 falls	C16 - 3200 kg - Chaîne / Chain 9x27	1
2d	2269905	Set of 10 load plates - 2 falls	C20-C25 - 2500 Kg - Chaîne / Chain 11,3X31	1
2d	2269907	Set of 10 load plates - 2 falls	C20-C25 - 3200 Kg - Chaîne / Chain 11,3X31	1
2d	2269906	Set of 10 load plates - 2 falls	C20-C25 - 4000 kg - Chaîne / Chain 11,3X31	1
2d	2269908	Set of 10 load plates - 2 falls	C20-C25 - 5000 kg - Chaîne / Chain 11,3X31	1

3	2269900	Hook block assembly	C16 - 1 brin / 1 fall - Chaîne / Chain 9x27	1
3	2279900	Hook block assembly	C20-C25 - 1 brin / 1 fall - Chaîne / Chain 11.3x31	1
3	2267011	Hook block assembly - Automatic	C16 - 1 brin / 1 fall - Chaîne / Chain 9x27	1
3	2277011	Hook block assembly - Automatic	C20-C25 - 1 brin / 1 fall - Chaîne / Chain 11.3x31	1
3	52371865	Hook block assembly - Stainless steel	1 brin / 1 fall - Chaîne / Chain 11.3x31	1
3	52371863	Hook block assembly - Stainless steel		1
3b	2277000	Hook	1 brin / 1 fall - Chaîne / Chain 11.3x31	1
3b	2242021	Hook	C16 - 1 & 2 brins / falls - Chaîne / Chain 9x27	1
3b	2267015	Hook - Automatic	1 & 2 brins / falls - Chaîne / Chain 9x27	1
3b	2277015	Hook - Automatic	1 brin / 1 fall - Chaîne / Chain 11.3x31	1
3b	52370691	Hook - Stainless steel	1 brin / 1 fall - Chaîne / Chain 9x27 630 kg-2m & 1 000kg-1Bm	1
3b	52370698	Hook - Stainless steel	1 brin / 1 fall - Chaîne / Chain 11.3x31	1
3c	2269917	Set of 2 half-casings with axle, return sprocket, and screws	Chaîne / Chain 9x27	1
3c	2279917	Set of 2 half-casings with axle, return sprocket, and screws	Chaîne / Chain 11.3x31	1
3d	2269909	Set of 10 load plates - 1 fall	1000 kg - Chaîne / Chain 9x27	1
3d	2269901	Set of 10 load plates - 1 fall	1600 kg - Chaîne / Chain 9x27	1
3d	2269911	Set of 10 load plates - 1 fall	1600 kg - Chaîne / Chain 11.3x31	1
3d	2269904	Set of 10 load plates - 1 fall	2000 kg - Chaîne / Chain 11.3x31	1
3d	2269912	Set of 10 load plates - 1 fall	2500 kg - Chaîne / Chain 11.3x31	1
4	2269913	Chain sprocket assembly + ejector	C16 - Chaîne / Chain 9x27	1
4	2279911	Chain sprocket assembly + ejector	C20-C25 - Chaîne / Chain 11.3x31	1
4b	2265502	Chain guide	C16 - Chaîne / Chain 9x27	1
4b	2275502	Chain guide	C20-C25 - Chaîne / Chain 11.3x31	1
4c	2269914	Chain sprocket with ejector - 2 falls only	C16 - Chaîne / Chain 9x27	1
4c	2279910	Chain sprocket with ejector - 2 falls only	C20-C25-Chaîne / Chain 11.3x31	1
4d	2264005	Chain ejector	Chaîne / Chain 9x27	1
4d	2274005	Chain ejector	Chaîne / Chain 11.3x31	1
5	2269942	Chain stop	C16 - Chaîne / Chain 9x27	1
5	2279942	Chain stop	C20-C25 - Chaîne / Chain 11.3x31	1
6	2263500V	Galvanized chain - 9x27		1
6	2273500V	Galvanized chain - 11.3x31		1
6	2263502V	Stainless steel chain - 9x27		1
6	2273502V	Stainless steel chain - 11.3x31		1
6a	1832403990	Chain lifting tool	C16-C20-C25	1
7	52292004	Chain bucket - 3 falls & 4 falls	C20-C25 - 3 brins/falls : 3 m - 4 brins / falls : 6 m	1
7	52293324	Chain bucket - 3 falls & 4 falls	C20-C25 - 3 brins/falls : 9 m - 4 brins / falls : 15 m	1
7	52294886	Chain bucket - 3 falls & 4 falls	C20-C25 - 3 brins/falls : 16 m - 4 brins / falls : 25 m	1
7	2279930	Chain bucket plastic - 1 & 2 falls	C16 : 16 m C20-C25 : 12 m Depuis juillet 2004 / Since July 2004	1
7	2279936	Steel Chain bucket	C16 : 16 m C20-C25 : 12 m	1
7	2279931	Steel Chain bucket - 1 & 2 falls	C16 : 50 m C20-C25 : 30 m	1
7	2279932	Steel Chain bucket - 1 & 2 falls	C16 : 80 m C20-C25 : 50 m	1
8	9995008	Oil can	125 ml	1
9	52727572	Safety latch - Stainless steel	1 brin / 1 fall	1
9	2242017	Safety latch - Steel plate	C16 : 1 brin / fall - C10 : 2 brins / falls	1
9	2279914	Safety latch - Steel plate	C16-C20-C25 : 2 brins / falls - C20-C25 : 1 brin / fall	1
9	A001513	Safety latch - Steel wire type	C16 : 2 brins / falls - 1600kg	1

3.1) Precut chain

item	reference	description	observation	Quantity
	<u>53020151</u>	Galvanized load chain - 9x27	6 mètres / meters	1
	<u>53020152</u>	Galvanized load chain - 9x27	10 mètres / meters	1
	<u>53020171</u>	Galvanized load chain - 9x27	12,5 mètres / meters	1
	<u>53020176</u>	Galvanized load chain - 9x27	100 mètres / meters	1
	<u>53020179</u>	Galvanized load chain - 11.3x31	9 mètres / meters	1

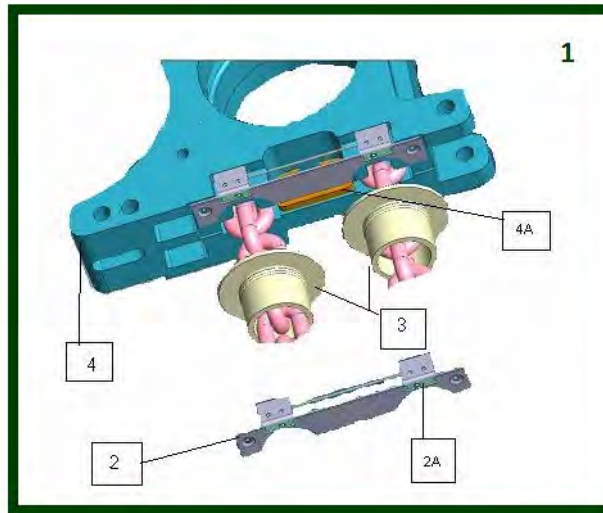
4) Electric Box



item	reference	description	observation	Quantity
1	2263015	Electric cubicle casing (box+cover) ABS		1
1	52353633	Electric cubicle casing (box+cover) NORYL	Seulement/Only USA	1
1	52271066	Electric cubicle with board	RSA 230/48V C25 - Renault	1
1	52271062	Electric cubicle with board	RSA 400V C25 - Renault	1
1	52270370	Electric cubicle with board (RVI) and cam limit switch	220V	1
2	2263006	Circuit board 2HS+ON/OFF	230V - 48V - 50 60Hz	1
2	2263004	Circuit board 2HS+ON/OFF	400V - 48V - 50 60Hz	1
2	2263007	Circuit board 2HS+ON/OFF	500V - 48V - 50 60Hz	1
2a	2213027	Hour counter	60Hz 8VAC	1
2a	2213028	Hour counter	60Hz 115VAC	1
2a	2213002	Hour counter	50Hz 48VAC	1
3	2249979	Set of 10 fuses	48V	1
4	2249947	Cable gland assembl		1
5	2219814	Closing plate assembly		1
6	2249945	Connecting plug set for push-button box	M+F Standard	1
6	2249946	Connecting plug set for trolley	TDU - M+F Standard	1
6	2249982	power supply plug		1
7	2269010	Set of 3 springs + support	Chaîne / Chain 9x27	1
7	2279010	Set of 3 springs + support	Chaîne / Chain 11.3x31	1
8	2269001	Trigger plate	Jusqu'en avril / To april 2006	2
	52381239	Cubicle support bracket		1
	2243061	Rectifier - Reconnectable	230V-460V Seulement USA /Only for US	1
	2243060	Rectifier	230-400V/460V/500V/575V Palan standard ou STAGMAKER version E / Standard hoist or stagemaker E type hoist (direct voltage)	1
	2269911	Set of 10 load plates - 1 fall	1600 kg - Chaîne / Chain 11.3x31	1
	2263050	Upper and lower limit switch assembly	Jusqu'en avril / To april 2006	1

4.1) Upper and lower limit switches - since may 2006

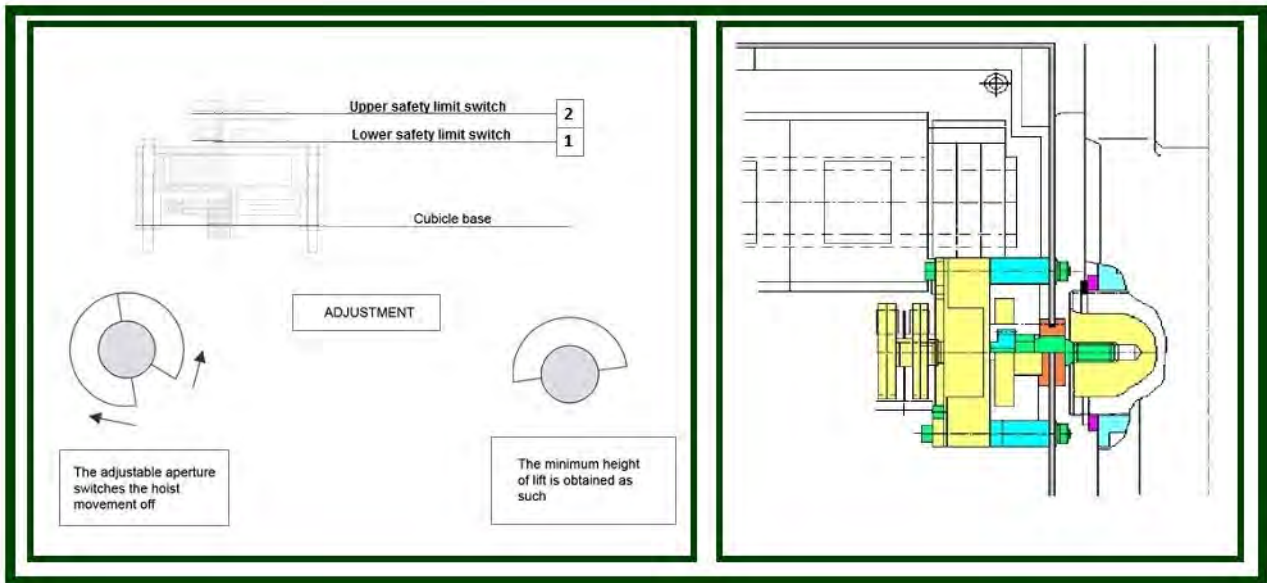
Depuis Mai 2006 / Since May 2006



item	reference	description	observation	Quantity
1	52335903	Chain guide assembly + spring + limit switch up and down + ejector	Chaîne / Chain 9x27	1
1	52335905	Chain guide assembly + spring + limit switch up and down + ejector	Chaîne / Chain 11.3x31	1
2	52332038	Limit switch assembly + support bracket		1
2A	52326175	Micro-switch - Standard & CSA type	Après/After 12/2005	2
3	2269010	Set of 3 springs + support	Chaîne / Chain 9x27	1
3	2279010	Set of 3 springs + support	Chaîne / Chain 11.3x31	1
4	2265502	Chain guide	C16 - Chaîne / Chain 9x27	1
4	2275502	Chain guide	C20-C25 - Chaîne / Chain 11.3x31	1
4A	2264005	Chain ejector	Chaîne / Chain 9x27	1
4A	2274005	Chain ejector	Chaîne / Chain 11.3x31	1

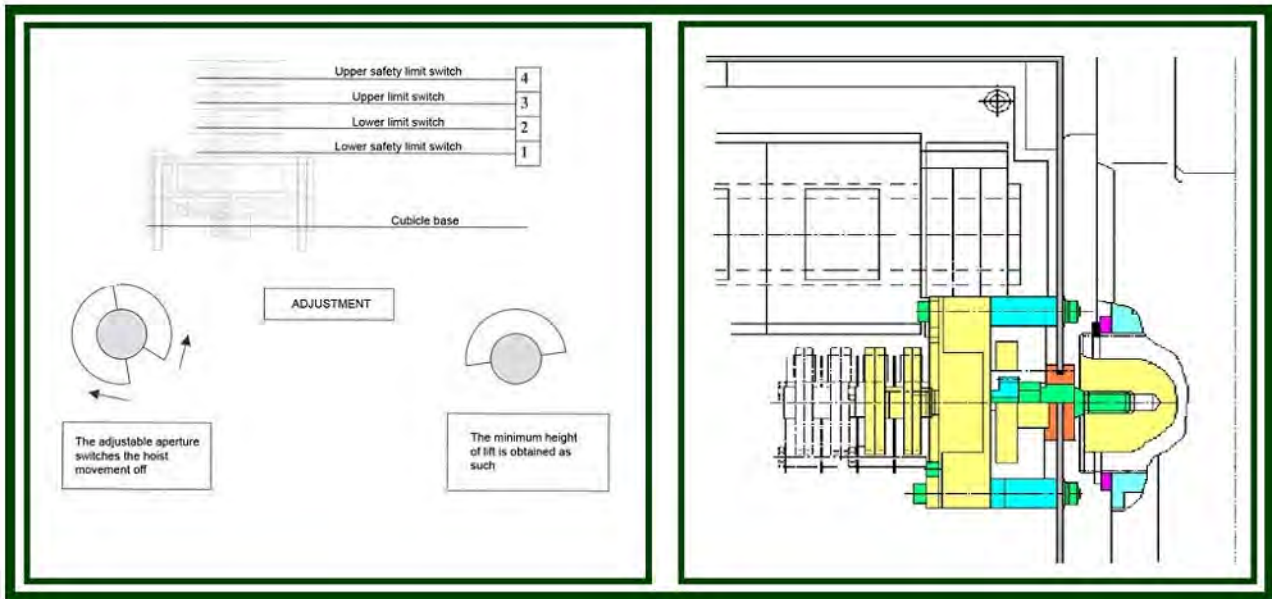
4.2) Rotating limit switch - 2 steps

Montage uniquement avec coffret métal / Use only with metal cubicle



item	reference	description	observation	Quantity
1	52272210	2 cam limit switch	C16 : Hauteur de levée sur 1 brin / Height of lift on 1 fall C20/C25 : Hauteur de levée sur 1 brin / Height of lift on 1 fall 0 to 10 m included - Ratio 15	1
1	52272211	2 cam limit switch	C16 : Hauteur de levée sur 1 brin / Height of lift on 1 fall C20/C25 : Hauteur de levée sur 1 brin / Height of lift on 1 fall 11 to 17 m included - Ratio 25	1
1	52272212	2 cam limit switch	C16 : Hauteur de levée sur 1 brin / Height of lift on 1 fall C20/C25 : Hauteur de levée sur 1 brin / Height of lift on 1 fall 18 to 60 m included - Ratio 83+1/3	1
1	52272213	2 cam limit switch	C16 : Hauteur de levée sur 1 brin / Height of lift on 1 fall C20/C25 : Hauteur de levée sur 1 brin / Height of lift on 1 fall 61 to 72 m included - Ratio 100	1
-	833866	Connector	Boîte à boutons / Push buttons	1
-	833864	Cover	Boîte à boutons / Push buttons	1
=	52741878	Axle module	C16-C20-C25	1
=	52270369	Metal cubicle RVI equiped for 2 cam limit switch	C16-C20-C25	1

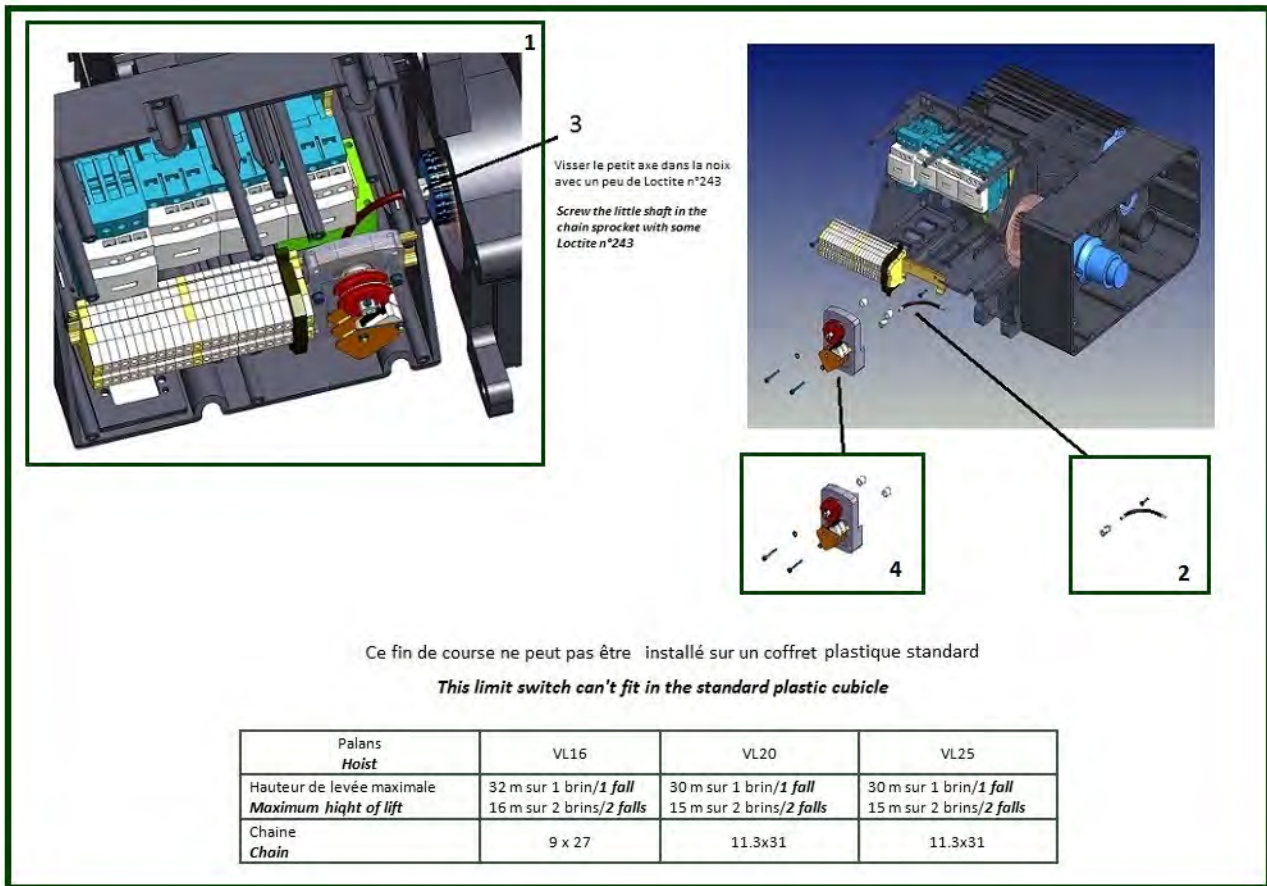
4.3) Rotating limit switch - 4 steps



item	reference	description	observation	Quantity
1	52292342	4 cam limit switch	C16 : Hauteur de levée sur 1 brin / Height of lift on 1 fall C20/C25 : Hauteur de levée sur 1 brin / Height of lift on 1 fall 0 to 10 m included - Ratio 15	1
1	52275005	4 cam limit switch	C16 : Hauteur de levée sur 1 brin / Height of lift on 1 fall C20/C25 : Hauteur de levée sur 1 brin / Height of lift on 1 fall 11 to 17 m included - Ratio 25	1
1	52275006	4 cam limit switch	C16 : Hauteur de levée sur 1 brin / Height of lift on 1 fall C20/C25 : Hauteur de levée sur 1 brin / Height of lift on 1 fall 18 to 60 m included - Ratio 83+1/3	1
-	833866	Connector	Boîte à boutons / Push buttons	1
-	833864	Cover	Boîte à boutons / Push buttons	1
=	52741878	Axle module	C16-C20-C25	1

4.4) 2 cam rotating limit switch - after 2009

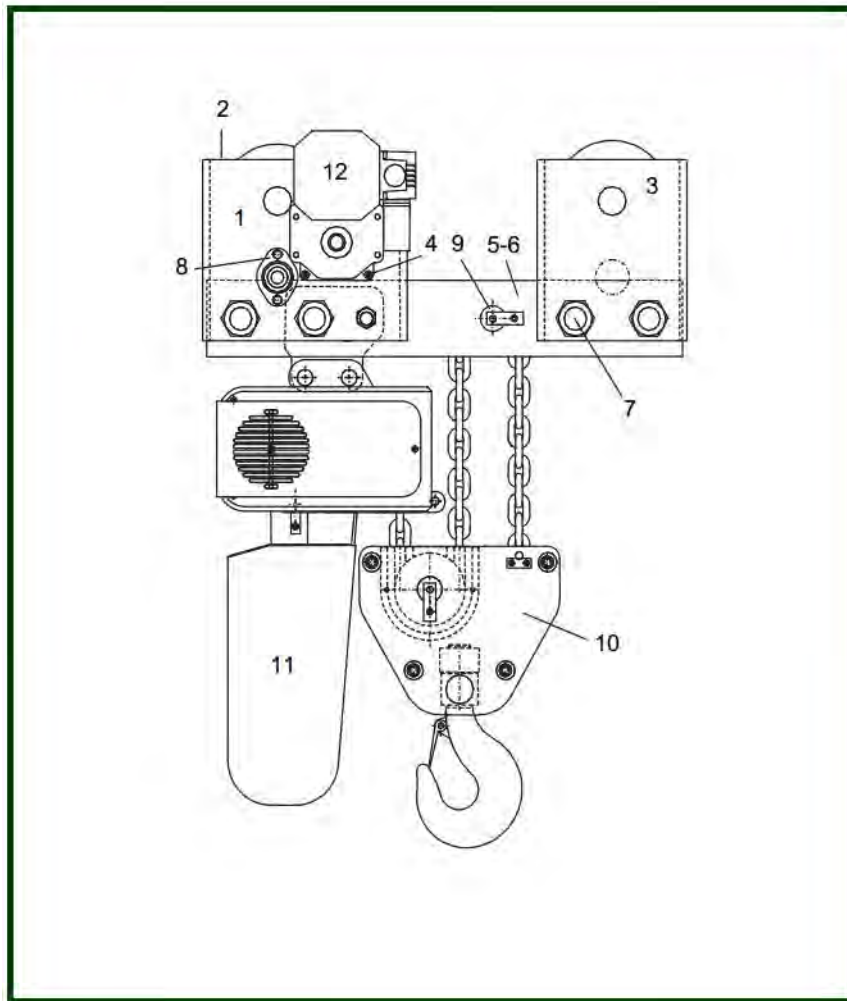
Pour fin de course 4 comes voir chap. 4.3 / Rotating limit switch 4 step, see chap 4.3



item	reference	description	observation	Quantity
1	52343062	Subset box full + Subset rotating limit	380-400-415VAC 48V 50-60Hz	1
2	52343058	Sub axis linkage assembly	Pour fin de course 2 comes - C16 - C20-C25 - Après 2009, avec coffret plastique To rotating limit switch 2 steps, C16 - C20 - C25 - After 2009, with plastic cubicle	1
3	52343055	Pinion - Nut side		1
4	52872585	Subset rotating limit		1
-	7541514Y	Hoisting limit switch	Hauteur de levée / Lift height : 32 m	1

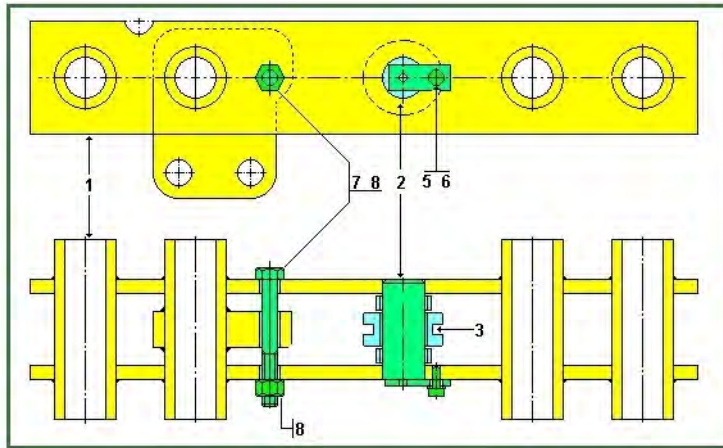
5) Electric trolley - Main drawing - 3 falls

MF07



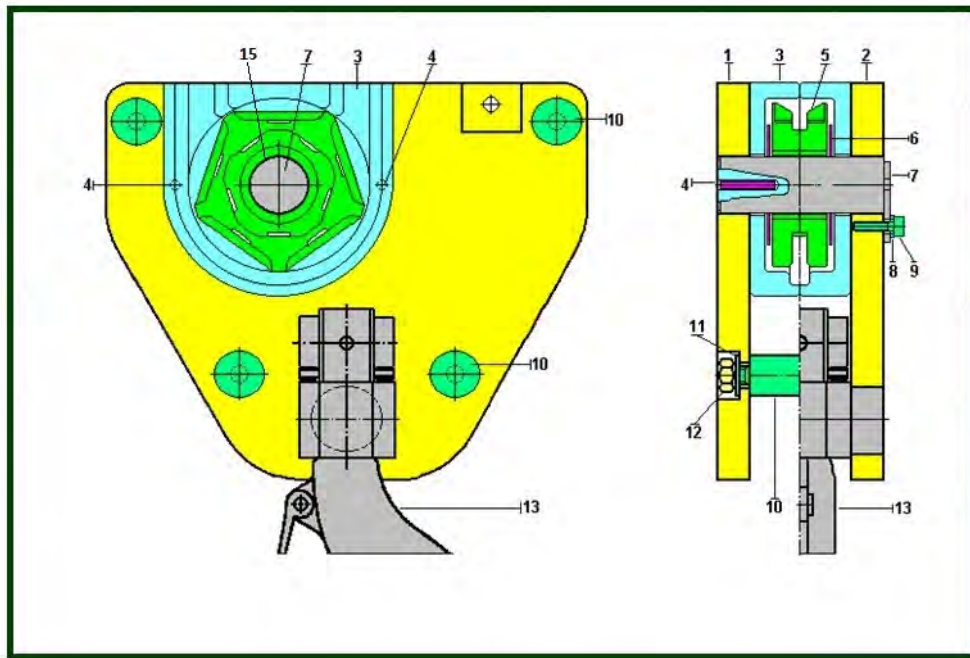
item	reference	description	observation	Quantity
1	550248	Side plate driving side		1
2	550249	Side plate synchro		1
3	550246	Side plate idle		2
4	8011550	Screws		4
5	52287978	Crossmember for girder 130 to 198	Lg 190	1
6	52292082	Crossmember for girder 200 to 300	Lg 300	1
7	52292071	Tie rod + bush + washer 130-138		1
7	52292072	Tie rod + bush + washer 139-150		1
7	52292073	Tie rod + bush + washer 151-189		1
7	52292074	Tie rod + bush + washer 190-197		1
7	52292075	Tie rod + bush + washer 198-200		1
7	52292076	Tie rod + bush + washer 201-249		1
7	52292077	Tie rod + bush + washer 250-299		1
7	52292078	Tie rod + bush + washer 300-310		1
9	2274015	Return wheel assy		1
12	553669	Gearbox	400V	1

6) 3 Falls cross member



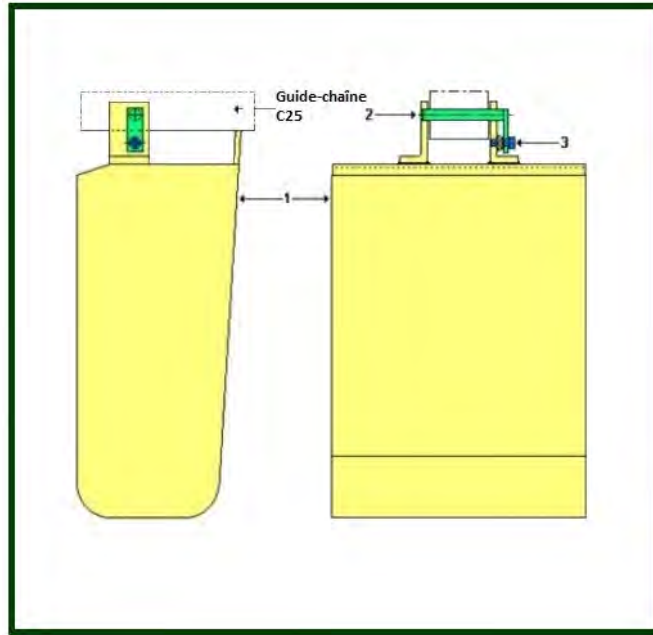
item	reference	description	observation	Quantity
1	52287978	Crossmember for girder 130 to 198	Lg 190	1
1	52292082	Crossmember for girder 200 to 300	Lg 300	1
2	52287983	Return wheel shaft		1
3	2274015	Return wheel assy		1
4	52288051	Bush		1
5	830909	CHC screw M6x20		1
6	832021	Washer plate		1
7	52291833	Screw		1
8	831593	NYLSTOP nut - ø 10		1
-	2267008	Return wheel bush		1

7) 3 Falls hookblock



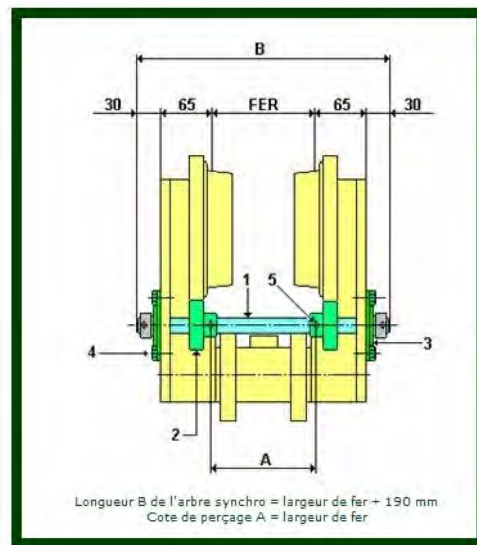
item	reference	description	observation	Quantity
1	52287546	Side plate - Left		1
2	52287545	Side plate - Right		1
3	52292239	Half chain guide		2
4	831616	Dowel		4
5	2274001	Return wheel		1
6	8584225	Washers M36 - 2,5mm	C5	2
7	52287983	Return wheel shaft		1
8	832021	Washer plate		1
9	830909	CHC screw M6x20		1
10	52291844	Hook block bush		4
11	7231122R	Washer MU12		8
12	831594	NYLSTOP nut - M12 - DIN985	PRC1	8
13	52291845	Lower hook block	3 brins / 3 falls - Chaîne / Chain 11.3x31 - 7.5 T	1
14	52315931	Safety catch plate type N°2.5	Après / After 06/99	1
15	2267008	Return wheel bush		1
-	52292235	Hookblock - 3 falls	C25	1

8) 3 & 4 falls chain bag



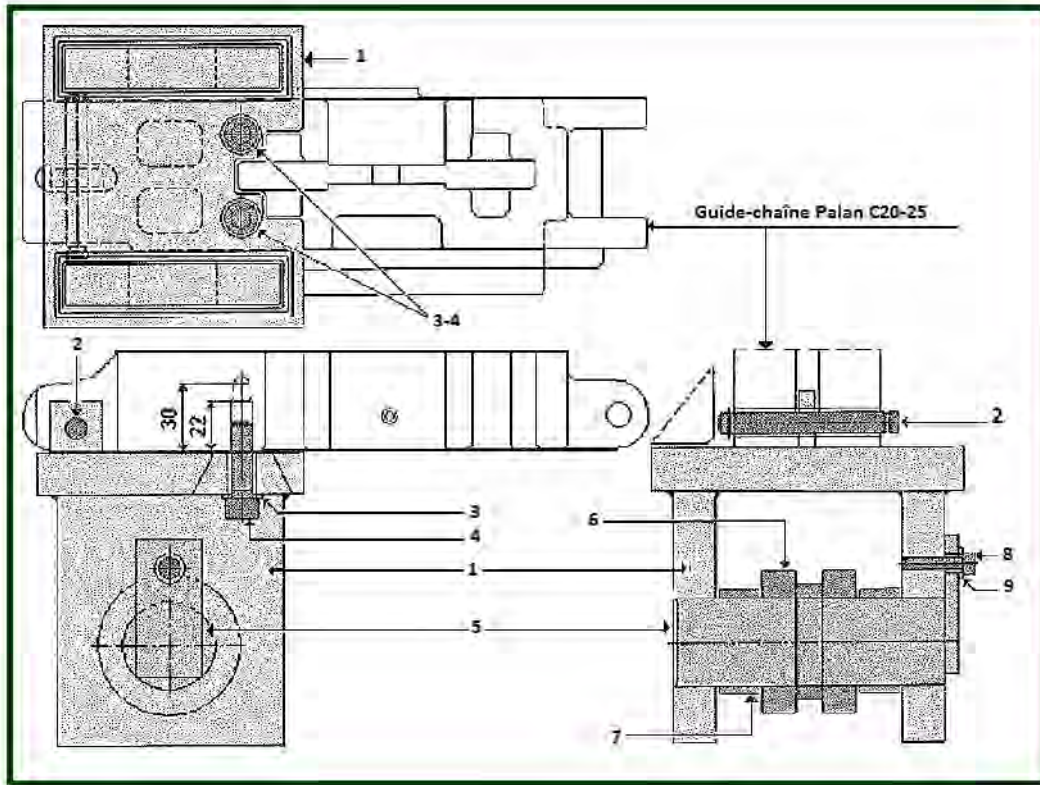
item	reference	description	observation	Quantity
1	52292004	Chain bucket - 3 falls & 4 falls	C20-C25 - 3 brins/falls : 3 m - 4 brins / falls : 6 m	1
1	52293324	Chain bucket - 3 falls & 4 falls	C20-C25 - 3 brins/falls : 9 m - 4 brins / falls : 15 m	1
1	52294886	Chain bucket - 3 falls & 4 falls	C20-C25 - 3 brins/falls : 16 m - 4 brins / falls : 25 m	1
2	52292006	Chain bag suspension shaft		1
3	7215353A	CHC screw 6x16		1

9) Synchro assy - 3 falls



item	reference	description	observation	Quantity
1	810306	Synchro shaft		1
2	550250	Synchro pinion		2
3	831785	Synchro bush		2
4	7211454N	Screw		4
5	831617	Washer		2

10) Fixing of the pulling wheel



item	reference	description	observation	Quantity
1	52288049	HPR chain guide	C16-20-25	1
2	2273505	Fixe point pin	C25 (Avec son frein d'axe/ with the axle brake)	1
3	832024	AZ washer	PRC2-CPR3 - AZ 10Zn	2
4	830908	Screw	M10x35	2
5	52292479	Return wheel shaft		1
6	2274015	Return wheel assy		1
7	52288050	Return wheel bush		2
9	832021	Washer plate		1
-	52294009	Chain guide subassy for low headroom trolley		1