

SPARE PARTS CATALOG FOR "VR12 - Phase 1"

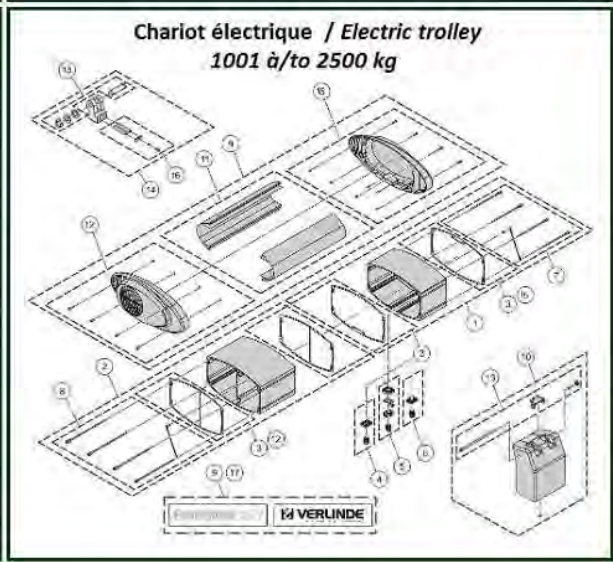
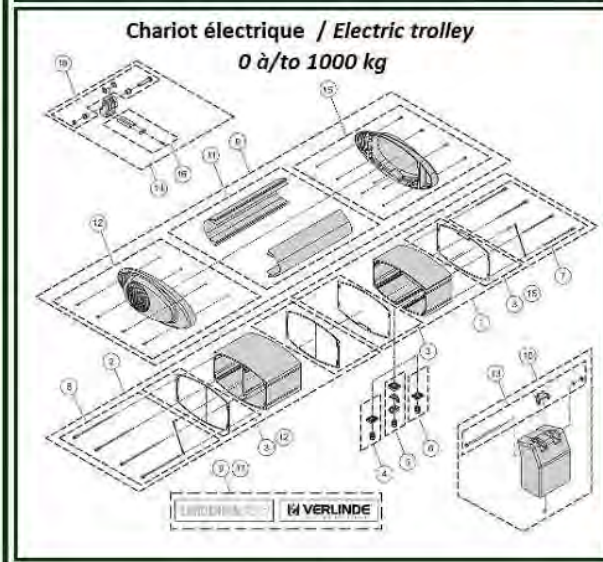
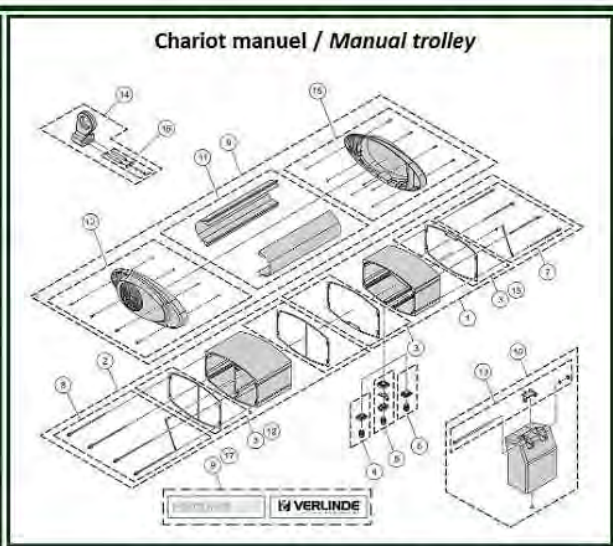
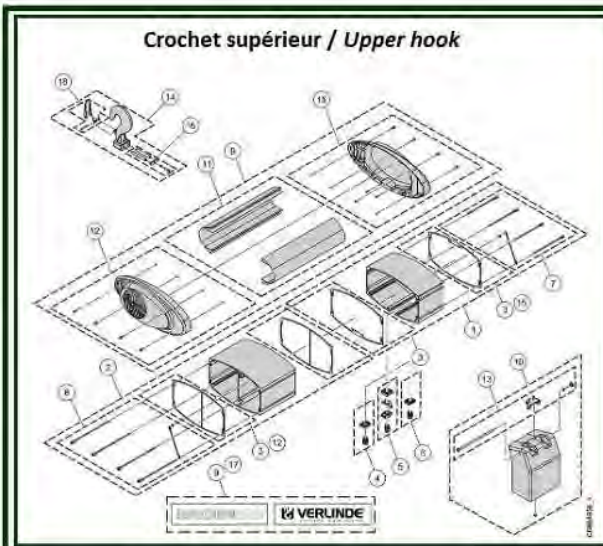
To avoid errors, when ordering please specify:

- Complete type of hoist
- Date of manufacture and serial number
- Spare part code
- Spare part designation
- Additional information

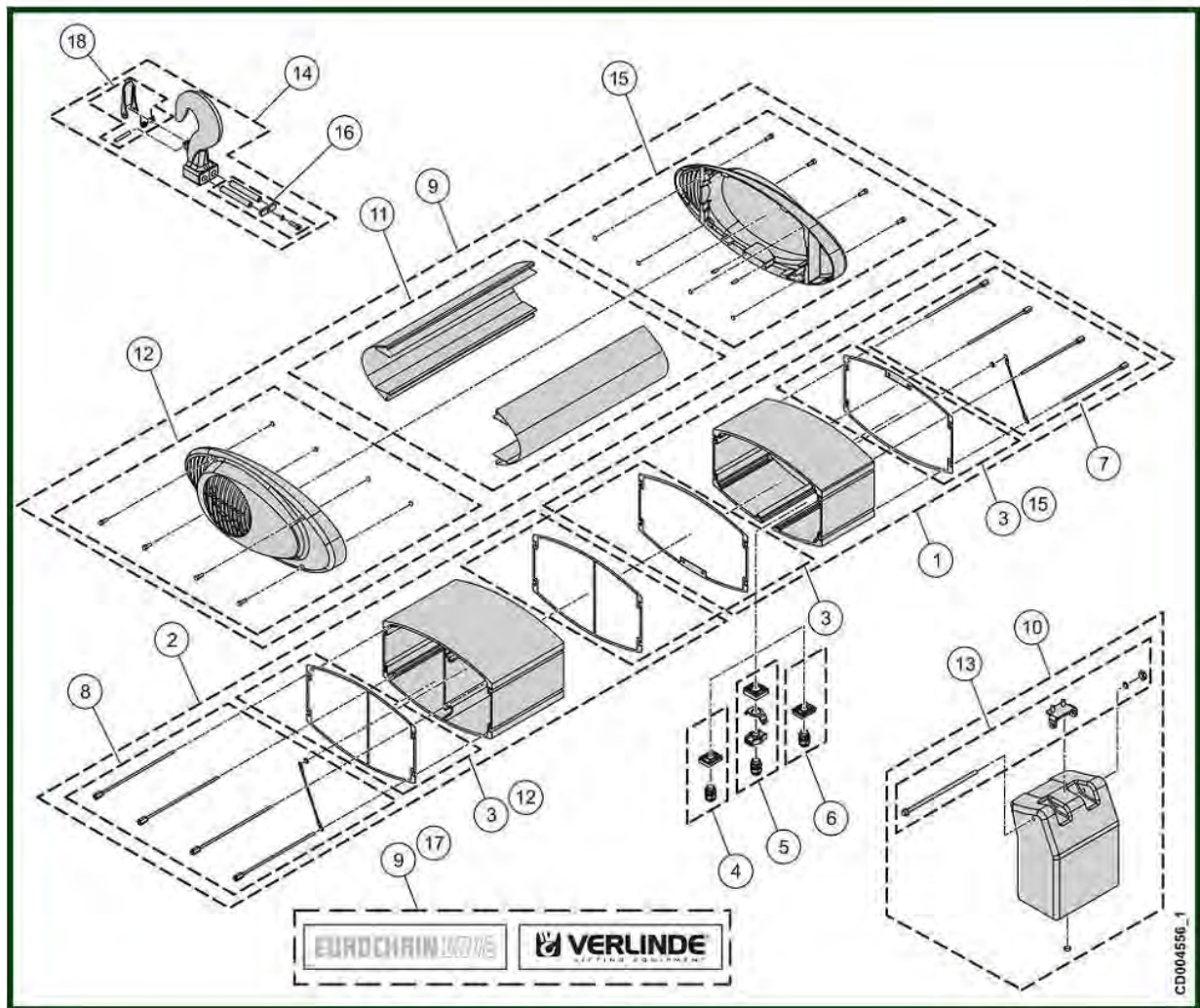


1.	FRAME	3
1.1.	Upper hook	4
1.2.	Manual trolley.....	6
1.3.	Electric trolley from 0 to 1000 Kg	8
1.4.	Electric trolley from 1001 to 2500 Kg	10
1.5.	Electric trolley from 1001 to 2500 Kg	11
2.	CHAIN GUIDE	12
2.1.	Chain 7x20 - 1 fall - Standard	13
2.2.	Chain 7x20 - 2 falls - Standard	15
2.3.	Chain 7x20 - 1 fall - LHT	17
2.4.	Chain 7x20 - 2 falls - LHT	19
2.5.	Precut chain	20
3.	GEAR.....	21
3.1.	Single brake.....	22
3.2.	Double brakes	23
4.	MOTOR.....	24
4.1.	Single brake.....	25
4.2.	Double brakes	27
5.	ELECTRICAL PARTS	28
5.1.	Solo equipment – Standard	29
5.2.	Equipment for Eurosystem - Steel - Alu. & PRV.....	32
5.3.	Equipment for crane hoist - For UT+GTR+GTN.....	35
5.4.	Without electric component.....	37
5.5.	Direct voltage – ACF.....	38
5.6.	Solo hoist - Hard wiring.....	39
6.	PUSH BUTTON CONTROLLER	40
6.1.	2 buttons.....	41
6.2.	4 buttons.....	42
6.3.	6 buttons.....	44
6.4.	Push button - From september 2014.....	45
7.	NORMAL HEADROOM TROLLEY	47
7.1.	C1 Trolley - 0 TO 1000 kg – Hanging version	48
7.2.	C1 trolley - 0 to 1000 kg - Coupled version.....	50
7.3.	C2 trolley - 1001 to 2000 kg - Hanging version.....	52
7.4.	C2 trolley - 1001 à 2000 kg - Coupled version	54
7.5.	C3 trolley - 2001 to 3200 kg - Hanging version.....	56
7.6.	C3 trolley - 2001 to 3200 kg - Coupled version.....	58
7.7.	Inverter TMU motor.....	60
7.8.	Two speeds TMU motor	62
7.9.	Chain travel.....	64
7.10.	Right motor angle	65
8.	LOW HEADROOM TROLLEY	66
8.1.	LHT - 1 fall	67
8.2.	LHT - 2 falls.....	69

1. FRAME



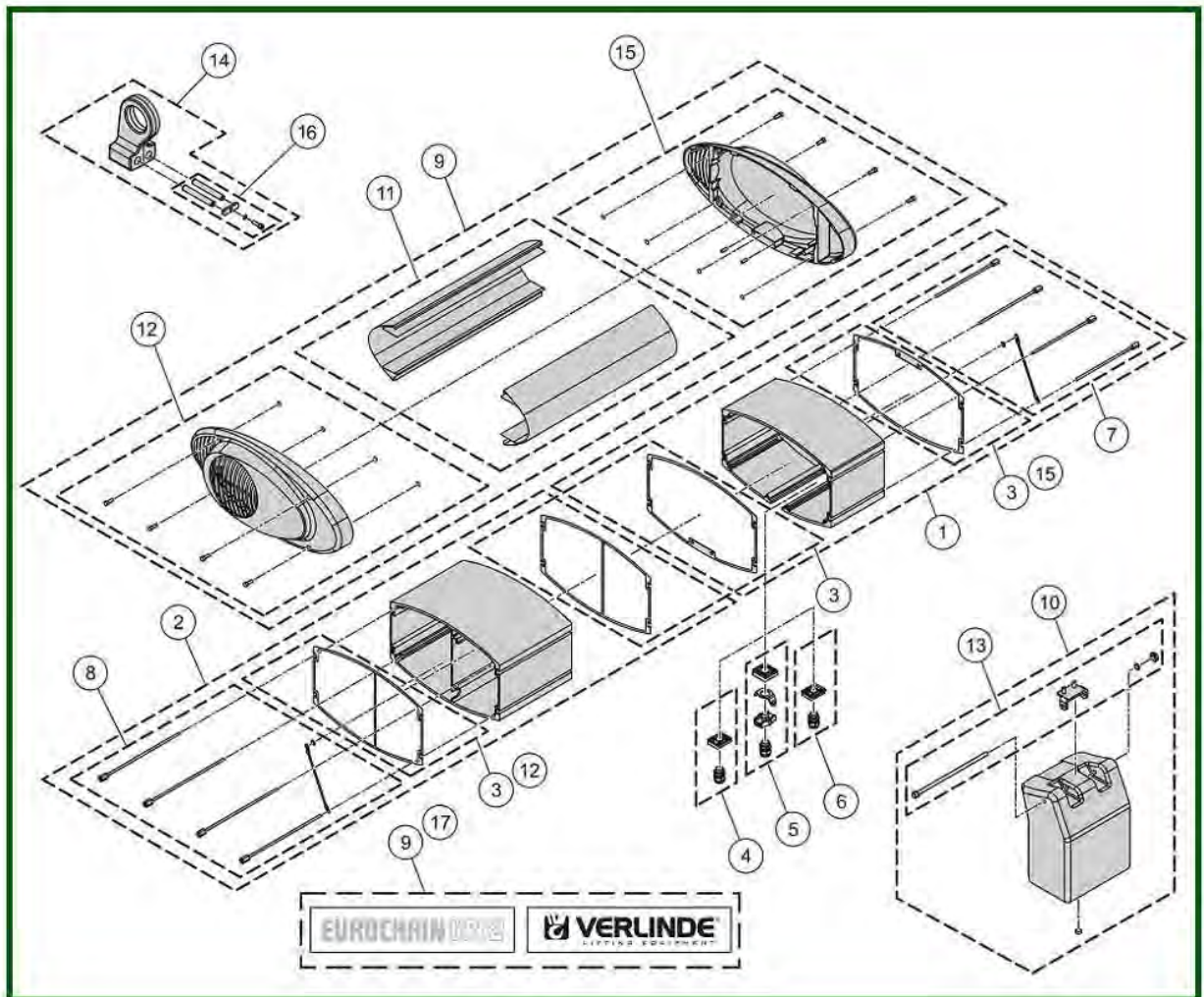
1.1. Upper hook



Upper hook

Item	Reference	Description	Observation	Quantity
1	VT0005547	Frame - Brake side	Single brake	1
2	VT0005546	Frame - Motor side	Single brake	1
3	VT0005548	Sealing set		1
4	VT0006393	Cable gland set Square cable entry	CG M20- ISO 20 Trolley-Power supply	1
4	VT0006508	Cable gland set Rectangular cable entry		1
5	VT0005090	Cable gland set Square cable entry	Push button	1
6	VT0006089	End cap Square cable entry		1
6	VT0005091	End cap Rectangular cable entry	Power supply - Only VR2	1
7	VT0005550	Screws set LG 182 - Brake side	Single brake	1
8	VT0005549	Screws set LG 206 - Motor side	Single brake	1
9	VT0005551	Cover	VERLINDE	1
10	VT0005552	Chain bucket	6 m for 7x20 10 m for 5x14 Except HPR	1
10	VT0006760	Chain bucket	16 m for 7x20 Except HPR	1
10	VT0005622	Chain bucket	30 m for 7x20 Except HPR	1
11	VT0005556	Housing	Single brake	1
12	VT0005977	Cover set - Motor side		1
13	VT0005560	Fixing set of chain bucket		1
14	VT0005561	Upper hook		1
15	VT0005978	Cover set - Brake side		1
16	VT0005562	Shaft set		1
17	VT0005565	Sticker - Brand		1
18	VT0005902	Safety latch		1
	VT0006048	Set of 10 load plates	500 kg	1
	VT0006049	Set of 10 load plates	630 kg	1
	VT0006050	Set of 10 load plates	1000 Kg	1
	VT0006051	Set of 10 load plates	1250 Kg	1
	VT0006052	Set of 10 load plates	1600 Kg	1
	VT0006053	Set of 10 load plates	2000 Kg	1
	VT0006054	Set of 10 load plates	2500 Kg	1
	VT0006026	Identification plate	Serial number request	1

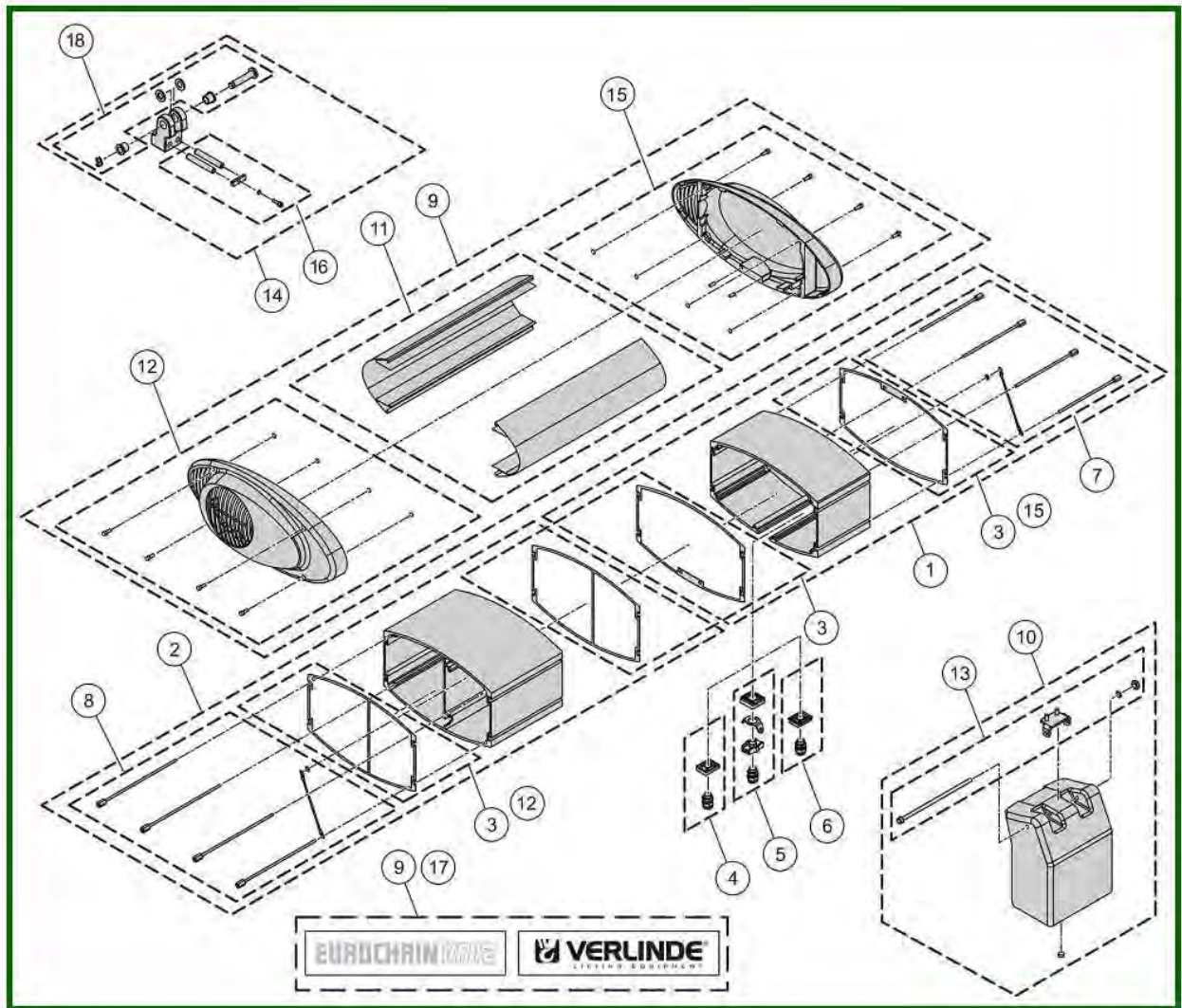
1.2. Manual trolley



Manual trolley

Item	Reference	Description	Observation	Quantity
1	VT0005547	Frame - Brake side	Single brake	1
2	VT0005546	Frame - Motor side	Single brake	1
3	VT0005548	Sealing set		1
4	VT0006393	Cable gland set Square cable entry	CG M20- ISO 20 Trolley-Power supply	1
4	VT0006508	Cable gland set Rectangular cable entry		1
5	VT0005090	Cable gland set Square cable entry	Push button	1
6	VT0006089	Bouchon Square cable entry		1
6	VT0005091	Bouchon Rectangular cable entry	Power supply - Only VR2	1
7	VT0005550	Screws set LG 182 - Brake side	Single brake	1
8	VT0005549	Screws set LG 206 - Motor side	Single brake	1
9	VT0005551	Cover		1
10	VT0005552	Chain bucket	6 m for 7x20 10 m for 5x14 Except HPR	1
10	VT0006760	Chain bucket	16 m for 7x20 Except HPR	1
10	VT0005622	Chain bucket	30 m for 7x20 Except HPR	1
11	VT0005556	Housing	Single brake	1
12	VT0005977	Cover set - Motor side		1
13	VT0005560	Fixing set of chain bucket		1
14	VT0005848	Coupling part	Manual trolley	1
15	VT0005978	Cover set - Brake side		1
16	VT0005562	Shaft set		1
17	VT0005565	Sticker - Brand		1
	VT0006026	Identification plate	Serial number request	1
-	VT0006048	Set of 10 load plates	500 kg	1
-	VT0006049	Set of 10 load plates	630 kg	1
-	VT0006050	Set of 10 load plates	1000 Kg	1
-	VT0006051	Set of 10 load plates	1250 Kg	1
-	VT0006052	Set of 10 load plates	1600 Kg	1
-	VT0006053	Set of 10 load plates	2000 Kg	1
-	VT0006054	Set of 10 load plates	2500 Kg	1

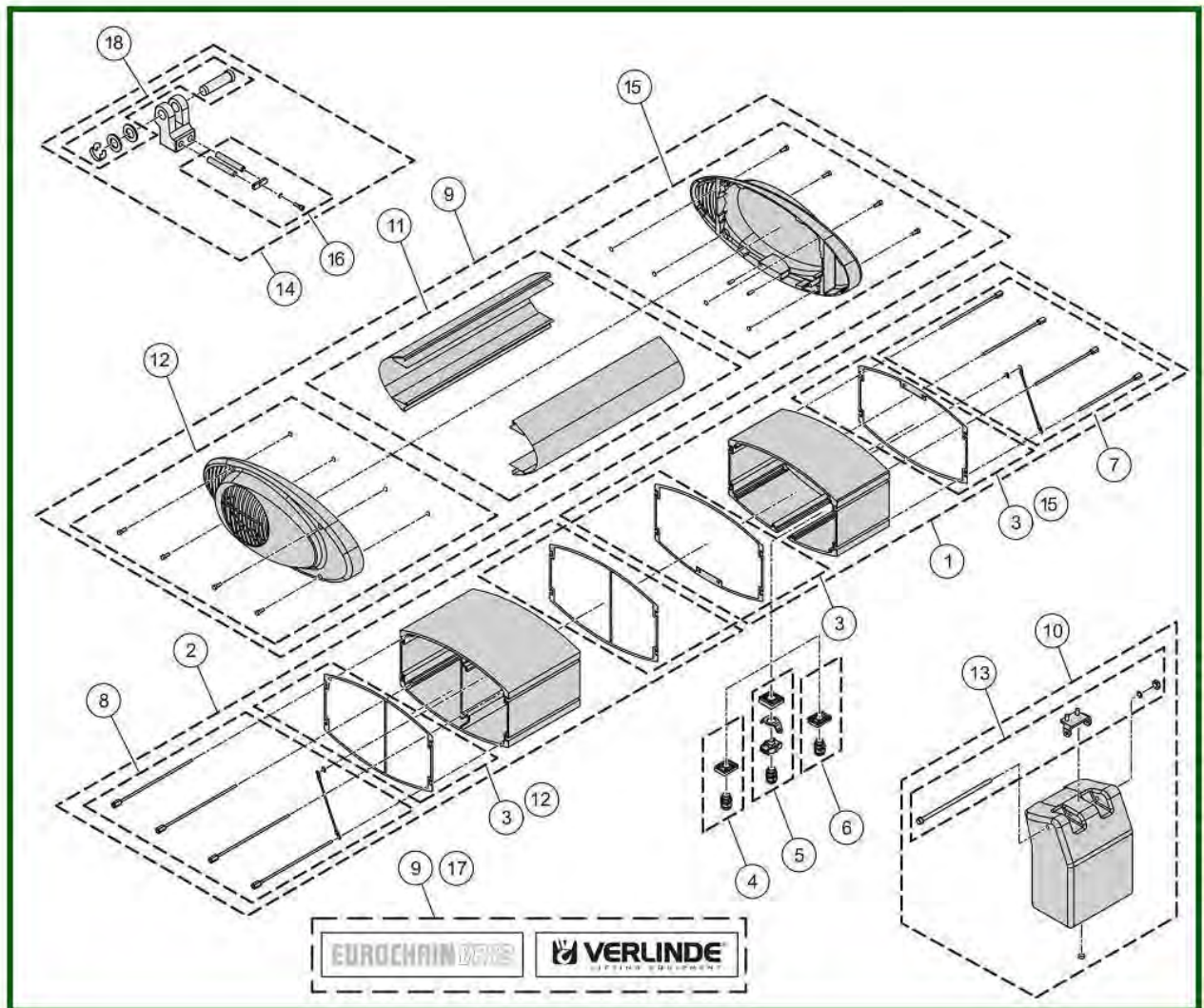
1.3. Electric trolley from 0 to 1000 Kg



Electric trolley from 0 to 1000 Kg

Item	Reference	Description	Observation	Quantity
1	VT0005547	Frame - Brake side	Single brake	1
2	VT0005546	Frame - Motor side	Single brake	1
3	VT0005548	Sealing set		1
4	VT0006393	Cable gland set Square cable entry	CG M20- ISO 20 Trolley-Power supply	1
4	VT0006508	Cable gland set Rectangular cable entry		1
5	VT0005090	Cable gland set Square cable entry	Push button	1
6	VT0006089	Bouchon Square cable entry		1
6	VT0005091	Bouchon Rectangular cable entry	Power supply - Only VR2	1
7	VT0005550	Screws set LG 182 - Brake side	Single brake	1
8	VT0005549	Screws set LG 206 - Motor side	Single brake	1
9	VT0005551	Cover	VERLINDE	1
10	VT0005552	Chain bucket	6 m for 7x20 10 m for 5x14 Except HPR	1
10	VT0006760	Chain bucket	16 m for 7x20 Except HPR	1
10	VT0005622	Chain bucket	30 m for 7x20 Except HPR	1
11	VT0005556	Housing	VERLINDE - Single brake	1
12	VT0005977	Cover set - Motor side	VERLINDE	1
13	VT0005560	Fixing set of chain bucket		1
14	VT0005862	Coupling part Electric trolley	0 to 1000 kg	1
15	VT0005978	Cover set - Brake side		1
16	VT0005562	Shaft set		1
17	VT0005565	Sticker - Brand		1
18	VT0005976	Shaft set - Electric trolley	0 to 1000 kg	1
	VT0006048	Set of 10 load plates	500 kg	1
	VT0006049	Set of 10 load plates	630 kg	1
	VT0006050	Set of 10 load plates	1000 Kg	1
	VT0006051	Set of 10 load plates	1250 Kg	1
	VT0006052	Set of 10 load plates	1600 Kg	1
	VT0006053	Set of 10 load plates	2000 Kg	1
	VT0006054	Set of 10 load plates	2500 Kg	1
	VT0006026	Identification plate	Serial number request	1

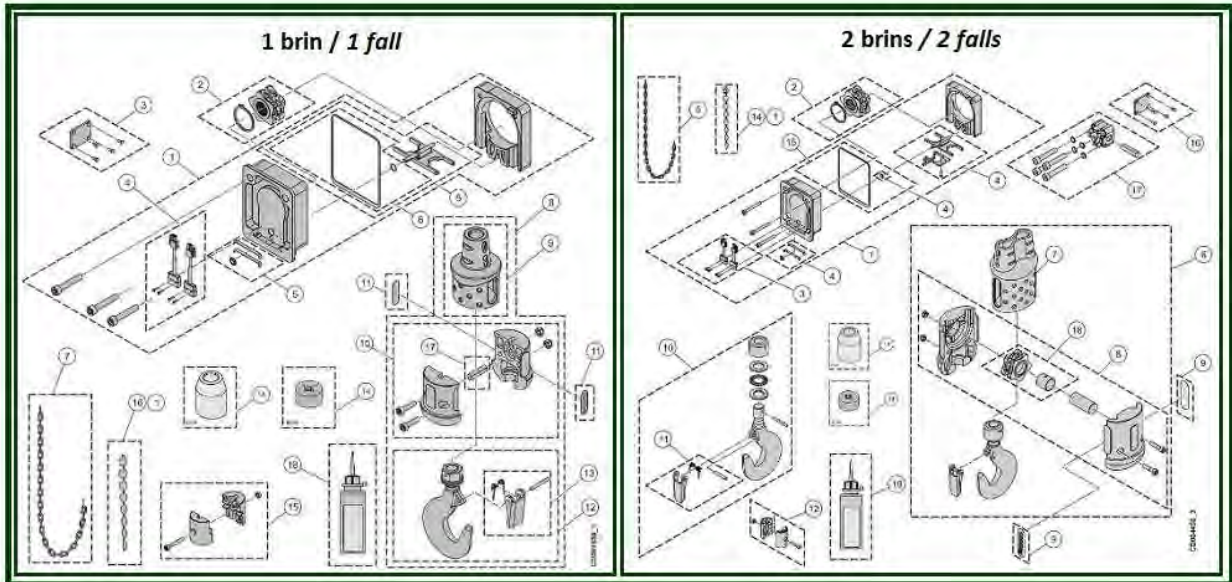
1.4. Electric trolley from 1001 to 2500 Kg



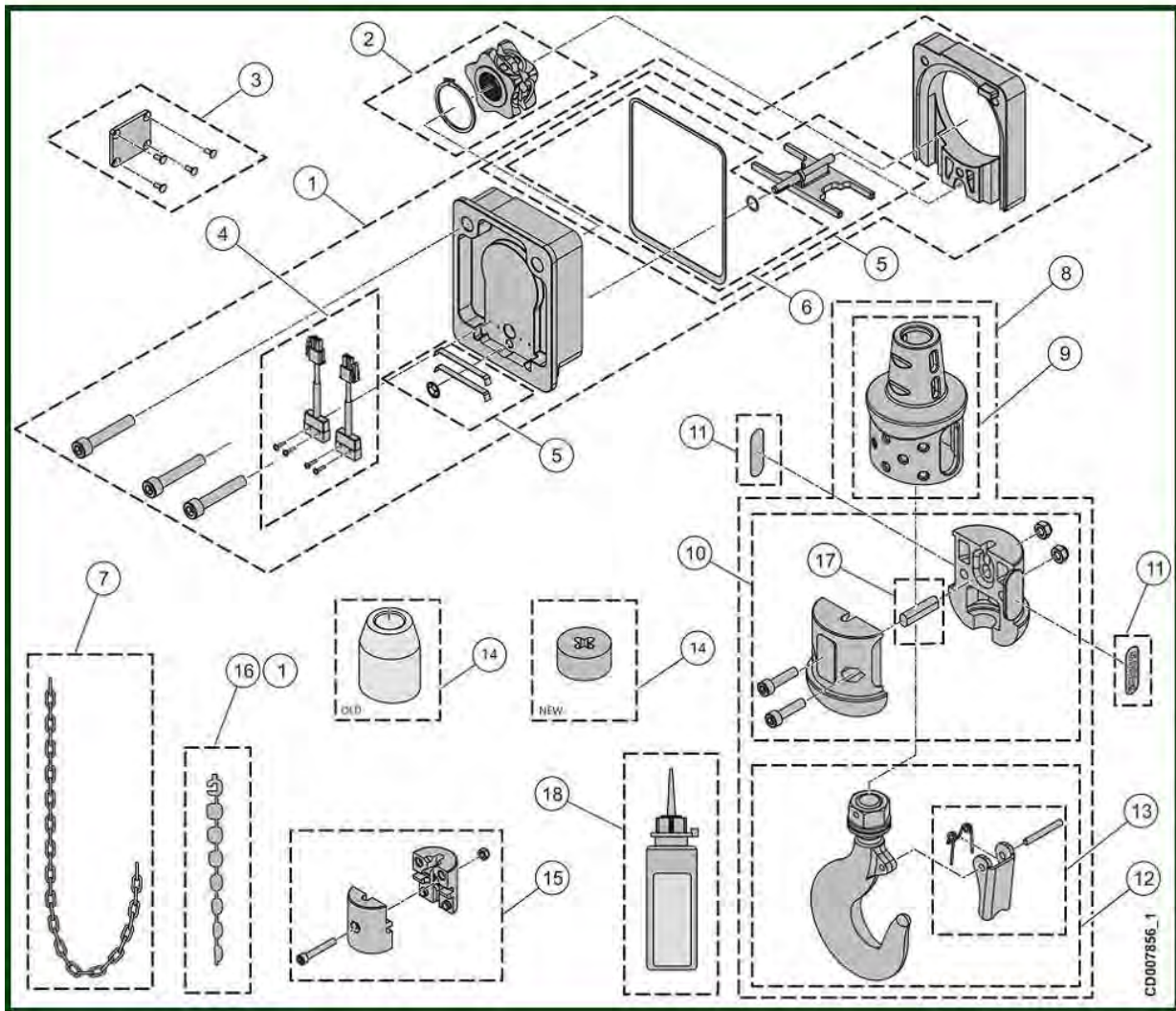
1.5. Electric trolley from 1001 to 2500 Kg

Item	Reference	Description	Observation	Quantity
1	VT0005547	Frame - Brake side	Single brake	1
2	VT0005546	Frame - Motor side	Single brake	1
3	VT0005548	Sealing set		1
4	VT0006393	Cable gland set Square cable entry	CG M20- ISO 20 Trolley-Power supply	1
4	VT0006508	Cable gland set Rectangular cable entry		1
5	VT0005090	Cable gland set Square cable entry	Push button	1
6	VT0006089	Bouchon Square cable entry		1
6	VT0005091	Bouchon Rectangular cable entry	Power supply - Only VR2	1
7	VT0005550	Screws set LG 182 - Brake side	Single brake	1
8	VT0005549	Screws set LG 206 - Motor side	Single brake	1
9	VT0005551	Cover	VERLINDE	1
10	VT0005552	Chain bucket Except HPR	6 m for 7x20 10 m for 5x14	1
10	VT0006760	Chain bucket Except HPR	16 m for 7x20	1
10	VT0005622	Chain bucket Except HPR	30 m for 7x20	1
11	VT0005556	Housing	VERLINDE - Single brake	1
12	VT0005977	Cover set - Motor side	VERLINDE	1
13	VT0005560	Fixing set of chain bucket		1
14	VT0005849	Coupling part Electric trolley	1001 to 2500 kg	1
15	VT0005978	Cover set - Brake side	VERLINDE	1
16	VT0005562	Shaft set		1
17	VT0005565	Sticker - Brand	VERLINDE	1
18	VT0005975	Shaft set - Electric trolley	1001 to 2500 kg	1
	VT0006048	Set of 10 load plates	500 kg	1
	VT0006049	Set of 10 load plates	630 kg	1
	VT0006050	Set of 10 load plates	1000 Kg	1
	VT0006051	Set of 10 load plates	1250 Kg	1
	VT0006052	Set of 10 load plates	1600 Kg	1
	VT0006053	Set of 10 load plates	2000 Kg	1
	VT0006054	Set of 10 load plates	2500 Kg	1
	VT0006026	Identification plate	Serial number request	1

2. CHAIN GUIDE



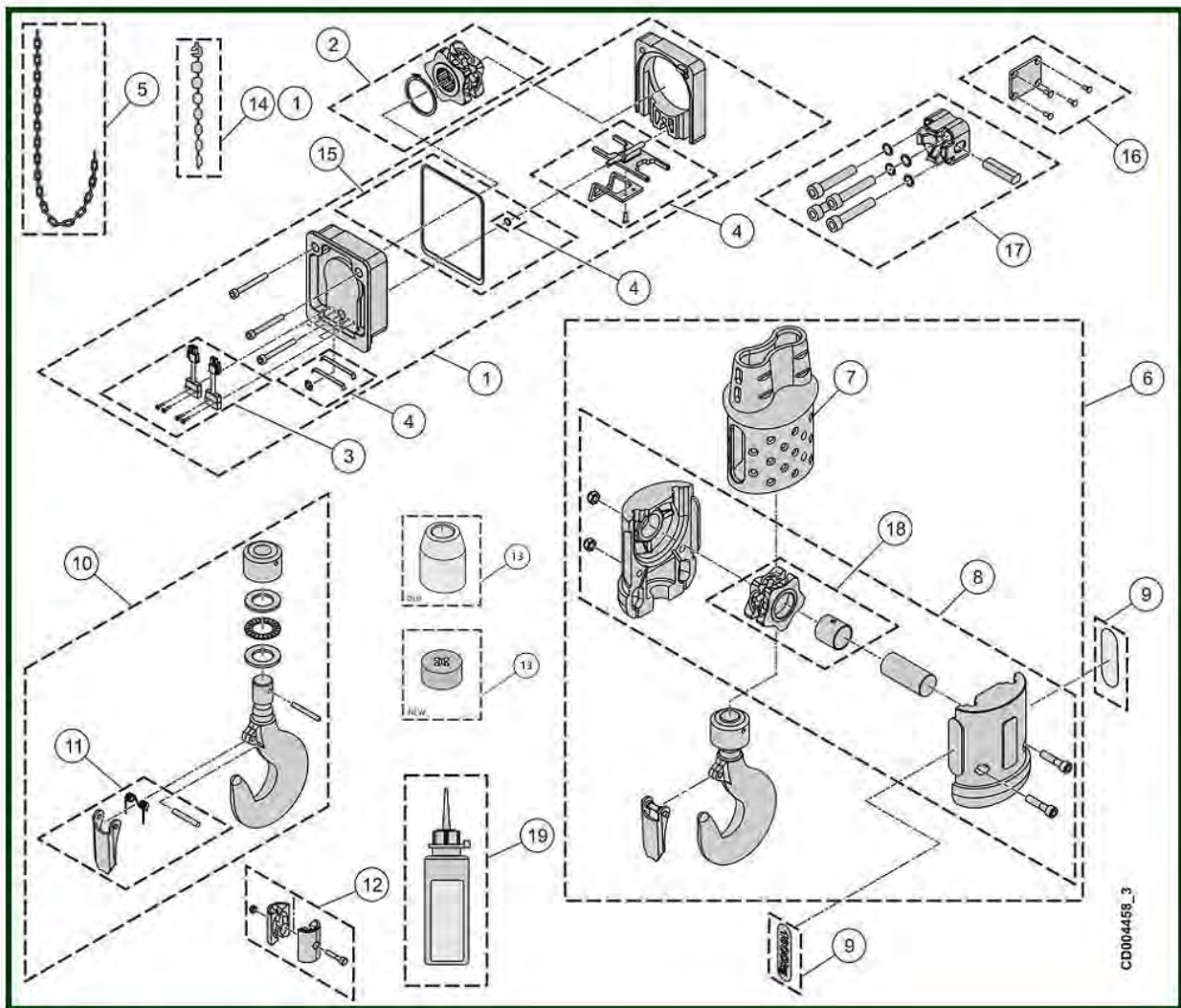
2.1. Chain 7x20 - 1 fall - Standard



Chain 7x20 - 1 fall – Standard

Item	Reference	Description	Observation	Quantity
1	<u>VT0005850</u>	Chain guide - Chain 7x20	1 fall	1
2	<u>VT0005851</u>	Chain sprocket	1 fall	1
3	<u>VT0005852</u>	Cap		1
4	<u>VT0004876</u>	Switch set		1
5	<u>VT0005853</u>	Limit switch activator		1
6	<u>VT0005854</u>	Sealing set		1
7	<u>VT0005544</u>	Galvanized chain - Chain 7x20	Standard	1
7	<u>VT0006352</u>	Stainless steel chain - 7x20	Be careful: hoist downgraded	1
8	<u>VT0006505</u>	Complete hook block - 1 fall	Automatic hook	1
8	<u>VT0006506</u>	Complete hook block - 1 fall	Stainless steel hook	1
8	<u>VT0005847</u>	Complete hook block - 1 fall	Standard hook	1
9	<u>VT0005855</u>	Rubber chain stop		1
10	<u>VT0005856</u>	Hook component	Standard hook -1 fall	1
11	<u>VT0005857</u>	Set of 10 load plates	500 Kg	1
11	<u>VT0005858</u>	Set of 10 load plates	630 Kg	1
11	<u>VT0005859</u>	Set of 10 load plates	1000 Kg	1
11	<u>VT0005860</u>	Set of 10 load plates	1250 Kg	1
12	<u>VT0006486</u>	Automatic hook		1
12	<u>VT0006507</u>	Stainless steel hook	Be careful: hoist downgraded	1
12	<u>VT0005861</u>	Standard hook		1
13	<u>VT0005903</u>	Safety latch	Rotary hook- 1 fall	1
14	<u>VT0005863</u>	Rubber chain stop Old model	2 falls: Never use as chain stop side hook	1
14	<u>VT0007572</u>	Rubber slack fall stop Since november 2015		1
15	<u>VT0005864</u>	Chain stop	2 falls: Never use as chain stop side hook	1
16	<u>VT0005575</u>	Chain fitting tool		1
17	<u>VT0006371</u>	Pin	1 fall	1
18	<u>VT0006025</u>	Oil can		1

2.2. Chain 7x20 - 2 falls - Standard

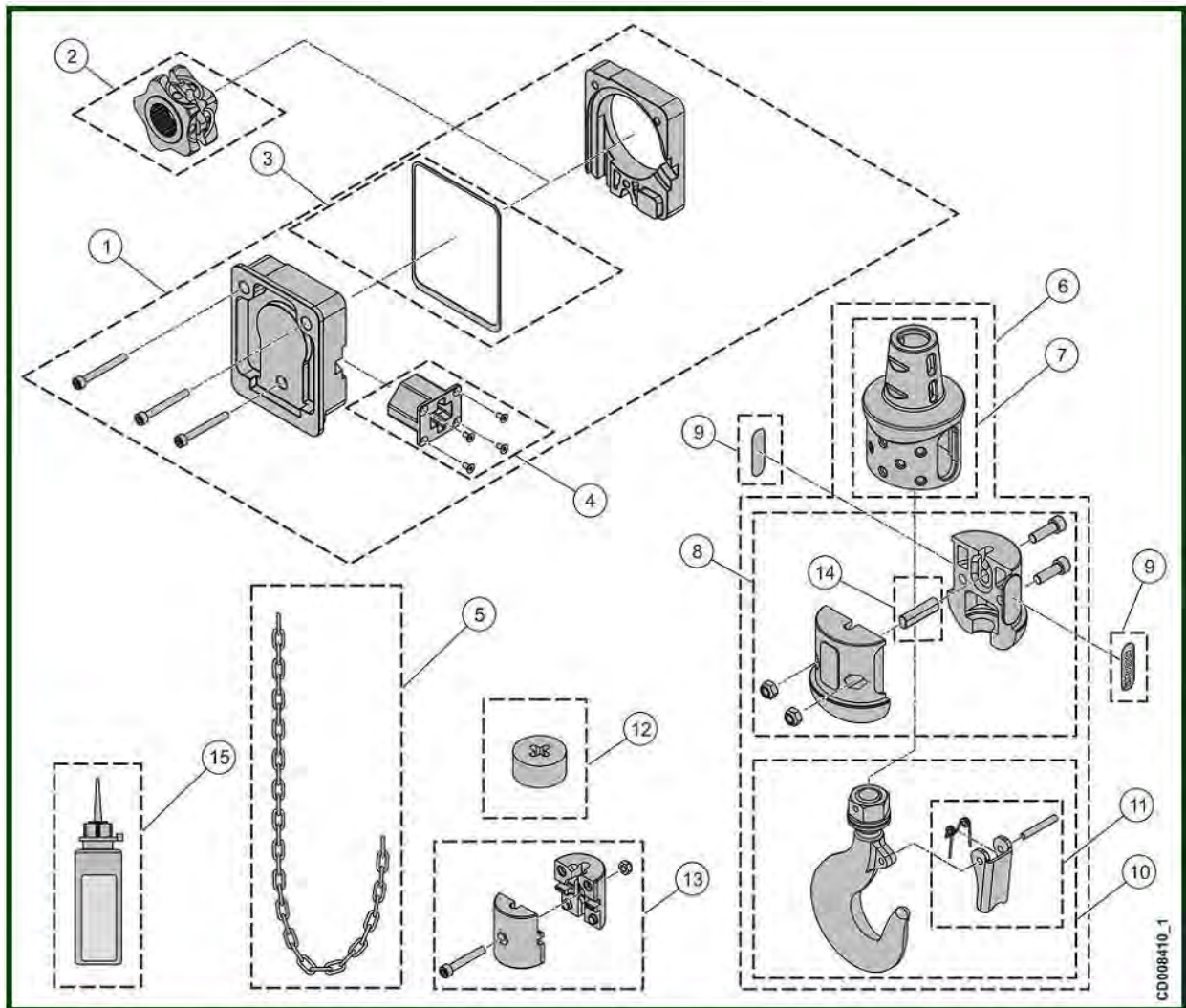


Chain 7x20 - 2 falls - Standard

Item	Reference	Description	Observation	Quantity
1	<u>VT0005865</u>	Chain guide	2 falls	1
2	<u>VT0005851</u>	Chain sprocket	1 fall	1
3	<u>VT0004876</u>	Switch set		1
4	<u>VT0005872</u>	Limit switch activator		1
5	<u>VT0005544</u>	Galvanized chain	Standard	1
5	<u>VT0006352</u>	Stainless steel chain	Be careful: hoist downgraded	1
6	<u>VT0007737</u>	Hook block- 2 falls	Automatic hook	1
6	<u>VT0007090</u>	Hook block- 2 falls	Stainless steel hook Maxi. 1250 kg	1
6	<u>VT0005867</u>	Hook block- 2 falls	Standard hook	1
7	<u>VT0005868</u>	Rubber chain stop	2 falls	1
8	<u>VT0005883</u>	Hook component	Standard hook	1
9	<u>VT0005873</u>	Set of 10 load plates	1600 Kg	1
9	<u>VT0005874</u>	Set of 10 load plates	2000 Kg	1
9	<u>VT0005875</u>	Set of 10 load plates	2500 Kg	1
10	<u>VT0006519</u>	Automatic hook	BKT-10-10	1
10	<u>VT0005884</u>	Standard hook		1
11	<u>VT0005902</u>	Safety latch		1
12	<u>VT0005864</u>	Chain stop	2 falls: Never use as chain stop side hook	1
13	<u>VT0005863</u>	Rubber chain stop Old model	2 falls: Never use as chain stop side hook	1
13	<u>VT0007572</u>	Rubber slack fall stop Since november 2015		1
14	<u>VT0005575</u>	Chain fitting tool		1
15	<u>VT0005854</u>	Sealing set		1
16	<u>VT0005852</u>	Cap		1
17	<u>VT0005885</u>	Fixing set	2 falls	1
18	<u>VT0005882</u>	Return sprocket	2 falls	1
19	<u>VT0006025</u>	Oil can		1

2.3. Chain 7x20 - 1 fall - LHT

Low Headroom Trolley

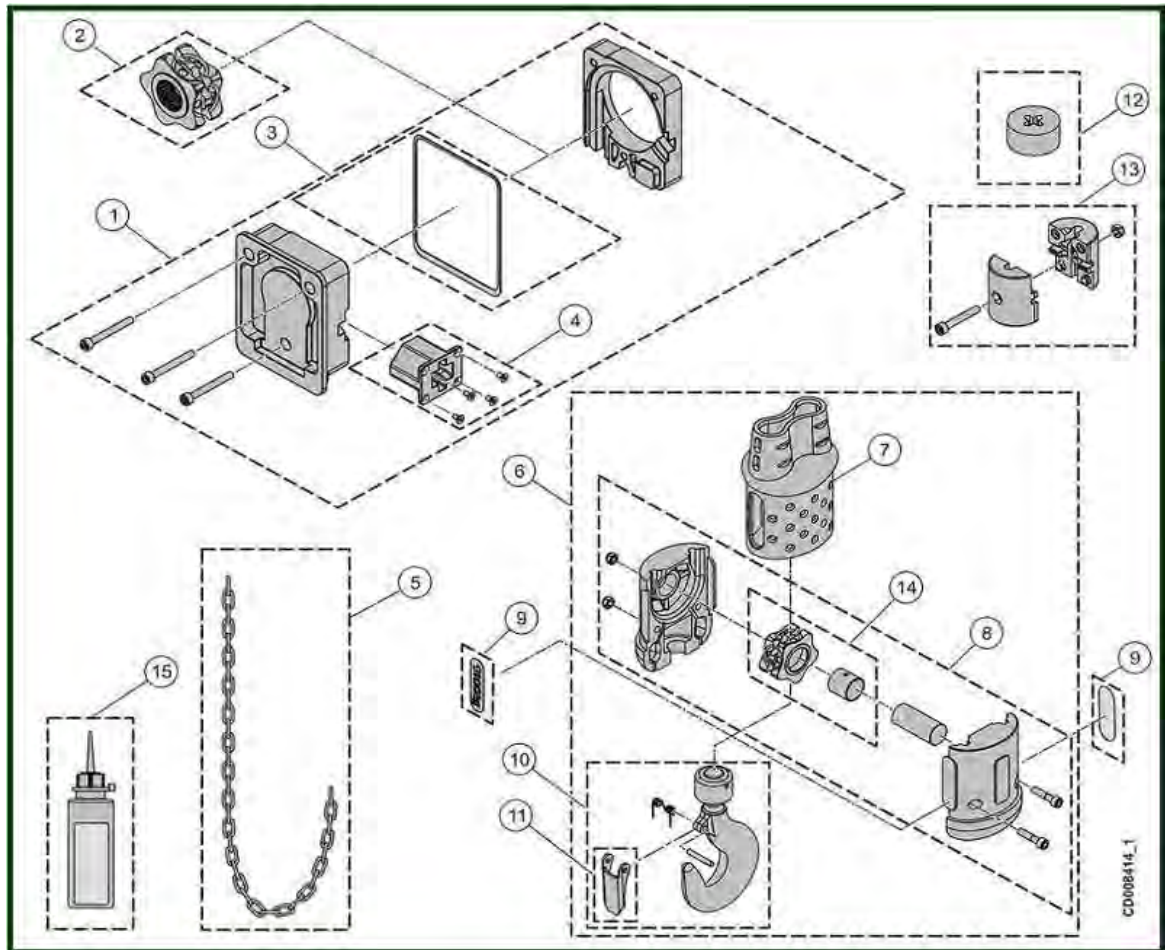


Low Headroom Trolley

Item	Reference	Description	Observation	Quantity
1	VT0008844	Chain guide set	LHT	1
2	VT0005851	Chain sprocket	1 fall	1
5	VT0005544	Galvanized chain	Standard	1
6	VT0006505	Complete hook block - 1 fall	Automatic hook	1
6	VT0006506	Complete hook block - 1 fall	Stainless steel hook	1
6	VT0005847	Complete hook block - 1 fall	Standard hook	1
8	VT0005856	Hook component	Standard hook	1
9	VT0005857	Set of 10 load plates	500 Kg	1
9	VT0005858	Set of 10 load plates	630 Kg	1
9	VT0005859	Set of 10 load plates	1000 Kg	1
9	VT0005860	Set of 10 load plates	1250 Kg	1
10	VT0006486	Automatic hook		1
10	VT0006507	Stainless steel hook	Be careful: hoist downgraded	1
10	VT0005861	Standard hook		1
11	VT0005903	Safety latch	Rotary hook- 1 fall	1
12	VT0005863	Rubber chain stop Old model	2 falls Never use as chain stop side hook	1
12	VT0007572	Rubber slack fall stop Since November 2015		1
13	VT0005864	Chain stop	2 falls Never use as chain stop side hook	1
14	VT0006371	Pin	1 fall	1
15	VT0006025	Oil can		1

2.4. Chain 7x20 - 2 falls - LHT

Low Headroom Trolley



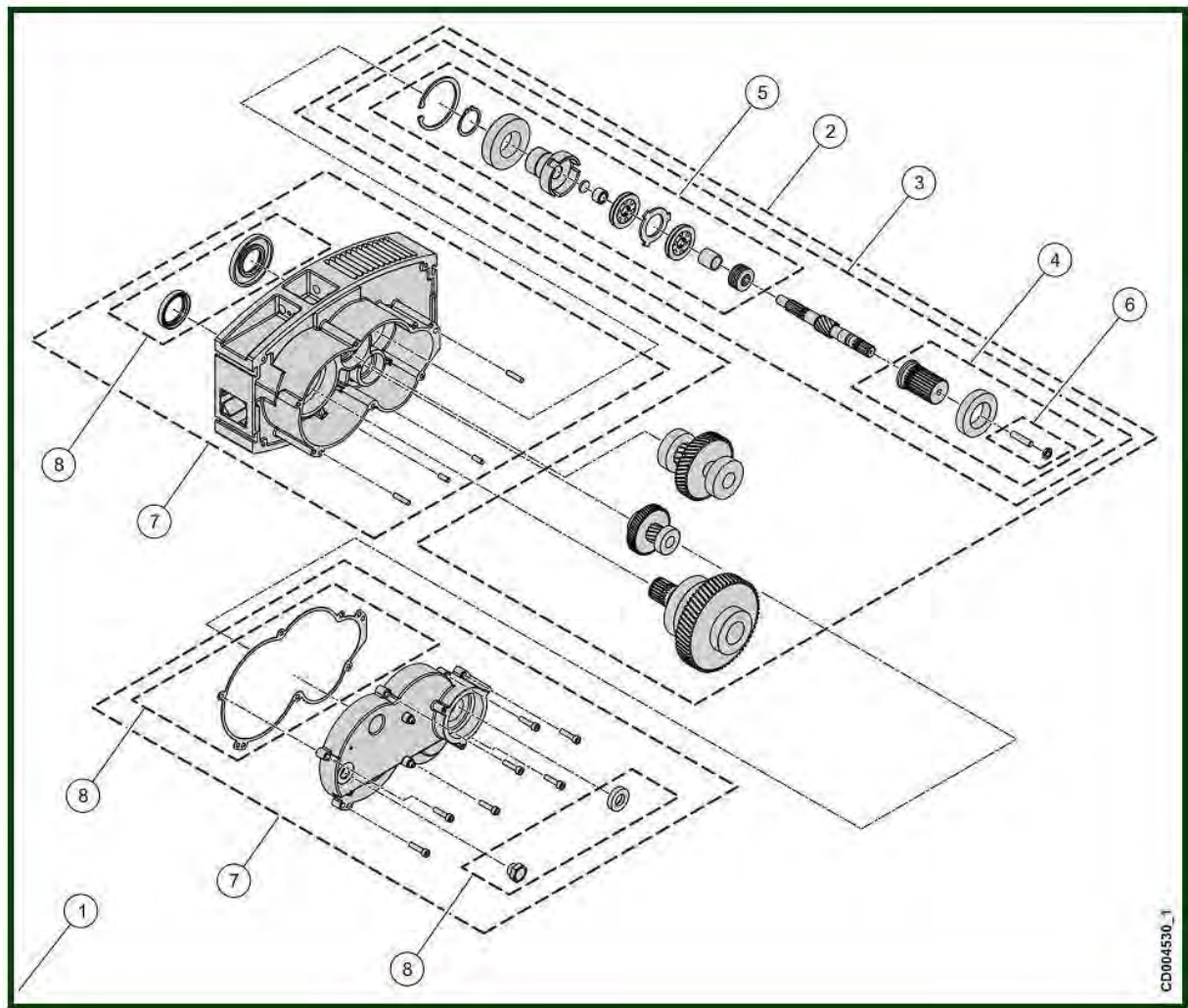
Chain 7x20 - 2 falls – LHT
Low Headroom Trolley

Item	Reference	Description	Observation	Quantity
1	VT0008844	Chain guide		1
2	VT0005851	Chain sprocket	1 fall	1
5	VT0005544	Galvanized chain	Standard	1
5	VT0006352	Stainless steel chain	Be careful: hoist downgraded	1
6	VT0007737	Hook block- 2 falls	Automatic hook	1
6	VT0007090	Hook block- 2 falls	Stainless steel hook Maxi. 1250 kg	1
6	VT0005867	Hook block- 2 falls	Standard hook	1
7	VT0005868	Rubber chain stop	2 falls	1
8	VT0005883	Hook component	Standard hook	1
9	VT0005873	Set of 10 load plates	1600 Kg	1
9	VT0005874	Set of 10 load plates	2000 Kg	1
9	VT0005875	Set of 10 load plates	2500 Kg	1
10	VT0006519	Automatic hook	BKT-10-10	1
10	VT0008133	Stainless steel hook		1
11	VT0005902	Safety latch		1
12	VT0005863	Rubber chain stop Old model	Never use as chain stop side hook	1
12	VT0007572	Rubber slack fall stop Since November 2015		1
13	VT0005864	Chain stop	Never use as chain stop side hook	1
14	VT0005882	Return sprocket	2 falls	1
15	VT0006025	Oil can		1

2.5. Precut chain

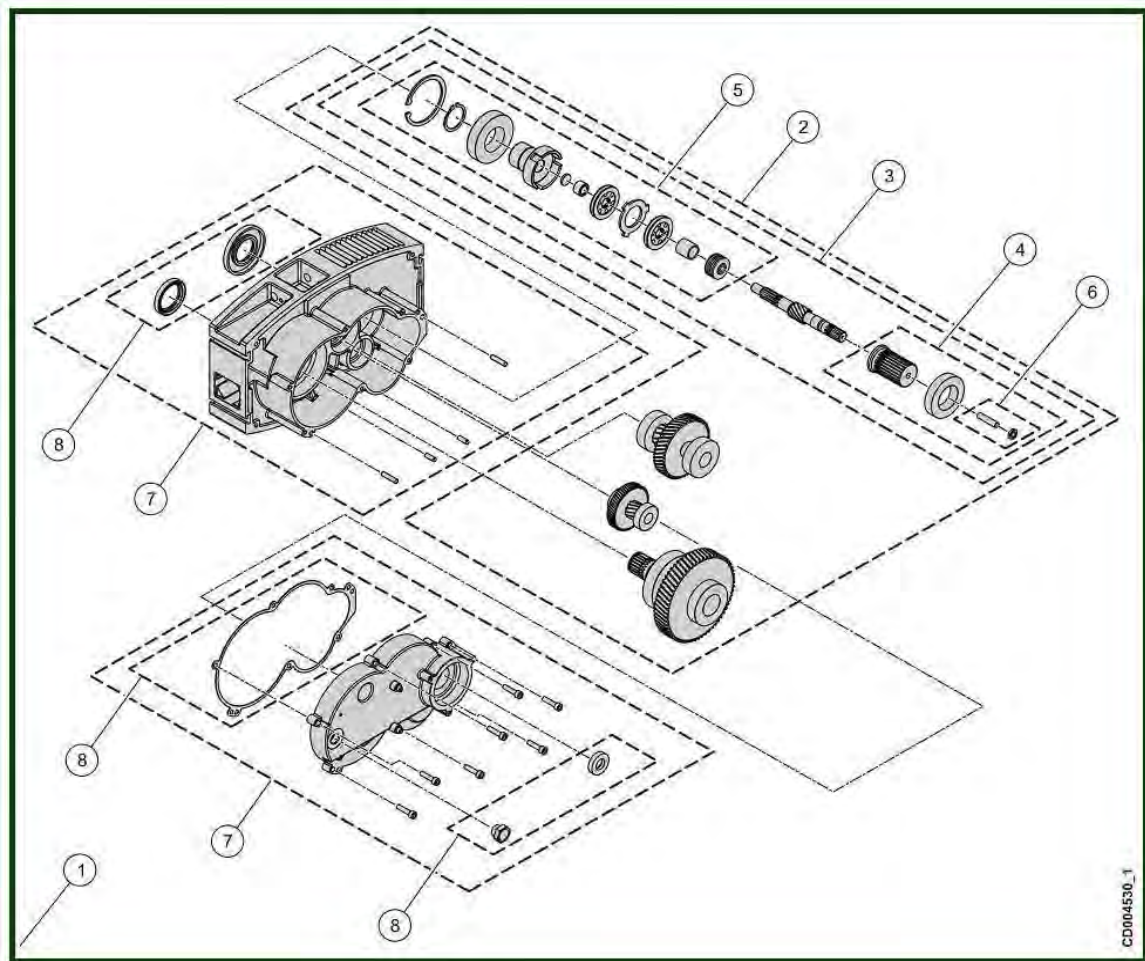
Item	Reference	Description	Observation	Quantity
	53021120	Galvanized load chain - 7x20	5 meters	1
	53021122	Galvanized load chain - 7x20	6 meters	1
	53021782	Galvanized load chain - 7x20	8 meters	1
	53022502	Galvanized load chain - 7x20	10 meters	1
	53022511	Galvanized load chain - 7x20	11 meters	1
	53022512	Galvanized load chain - 7x20	13 meters	1
	53022523	Galvanized load chain - 7x20	18 meters	1
	53022525	Galvanized load chain - 7x20	100 meters	1

3. GEAR



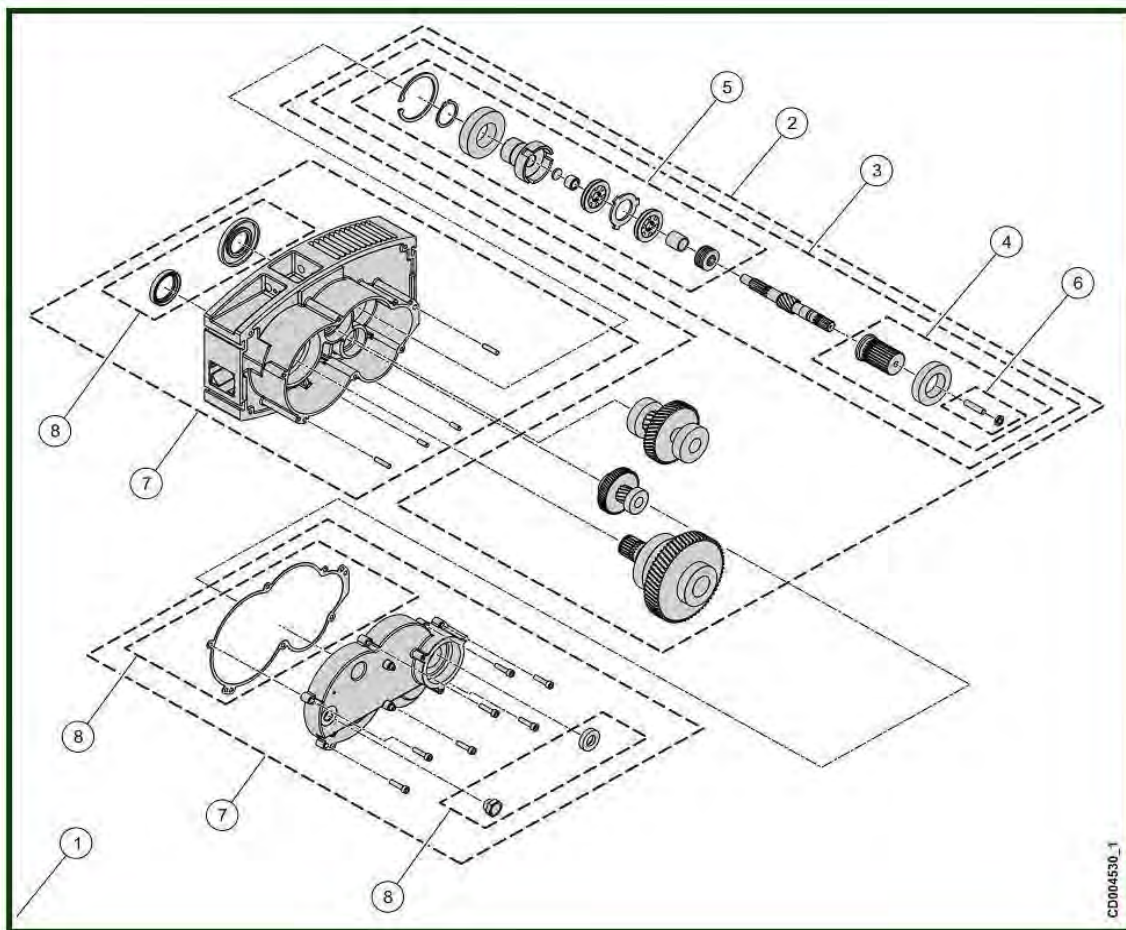
CD004530_1

3.1. Single brake



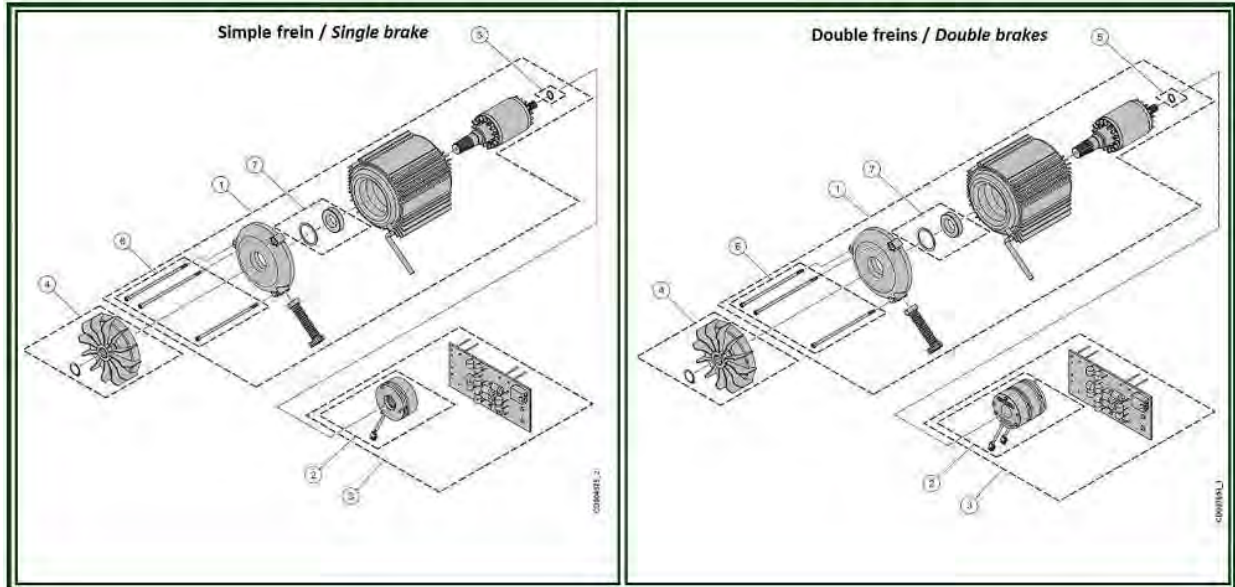
Item	Reference	Description	Observations	Quantity
1	VT0005886	Gear assembly - Single brake	4-8 m/min: 1 fall 4-2m/min: 2 falls	1
1	VT0005887	Gear assembly - Single brake	10 m/min: 1 fall 5 m/min: 2 falls	1
1	VT0005888	Gear assembly - Single brake	16 m/min	1
1	VT0005889	Gear assembly - Single brake	20 m/min	1
2	VT0005890	Gear assembly	8 m / min	1
2	VT0005891	Gear assembly	10 m / min	1
2	VT0005892	Gear assembly	16 m / min	1
2	VT0005893	Gear assembly	20 m / min	1
3	VT0005896	Gear shaft with clutch	8-10-16-20m/min	1
4	VT0005897	Coupling - Brake side		1
5	VT0005894	Clutch		1
6	VT0005898	Screws set		1
7	VT0005895	Frame	EC	1
8	VT0005899	Sealings set	EC	1

3.2. Double brakes

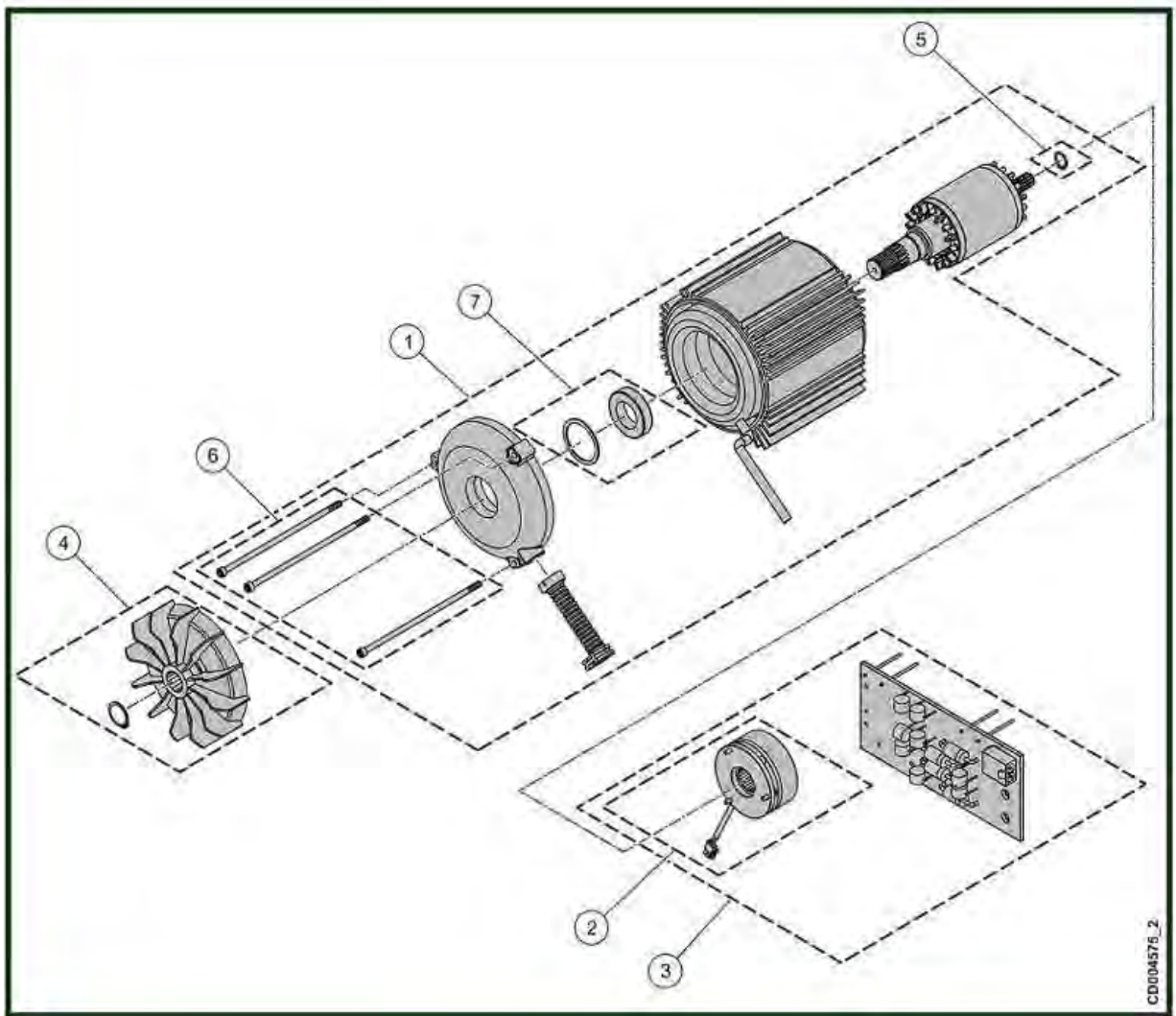


Item	Reference	Description	Observation	Quantity
1	VT0007749	Gear assembly - Double brakes	4-8 m/min: 1 fall 4-2m/min: 2 falls	1
1	VT0007750	Gear assembly - Double brakes	10 m/min: 1 fall 5m/min: 2 falls	1
1	VT0007751	Gear assembly - Double brakes	16 m/min	1
1	VT0007752	Gear assembly - Double brakes	20 m/min	1
2	VT0005890	Gear assembly	8 m / min	1
2	VT0005891	Gear assembly	10 m / min	1
2	VT0005892	Gear assembly	16 m / min	1
2	VT0005893	Gear assembly	20 m / min	1
3	VT0007748	Gear shaft with clutch		1
4	VT0006525	Coupling - Brake side		1
5	VT0005894	Clutch		1
6	VT0005898	Screws set		1
7	VT0005895	Frame	EC	1
8	VT0005899	Sealings set	EC	1

4. MOTOR



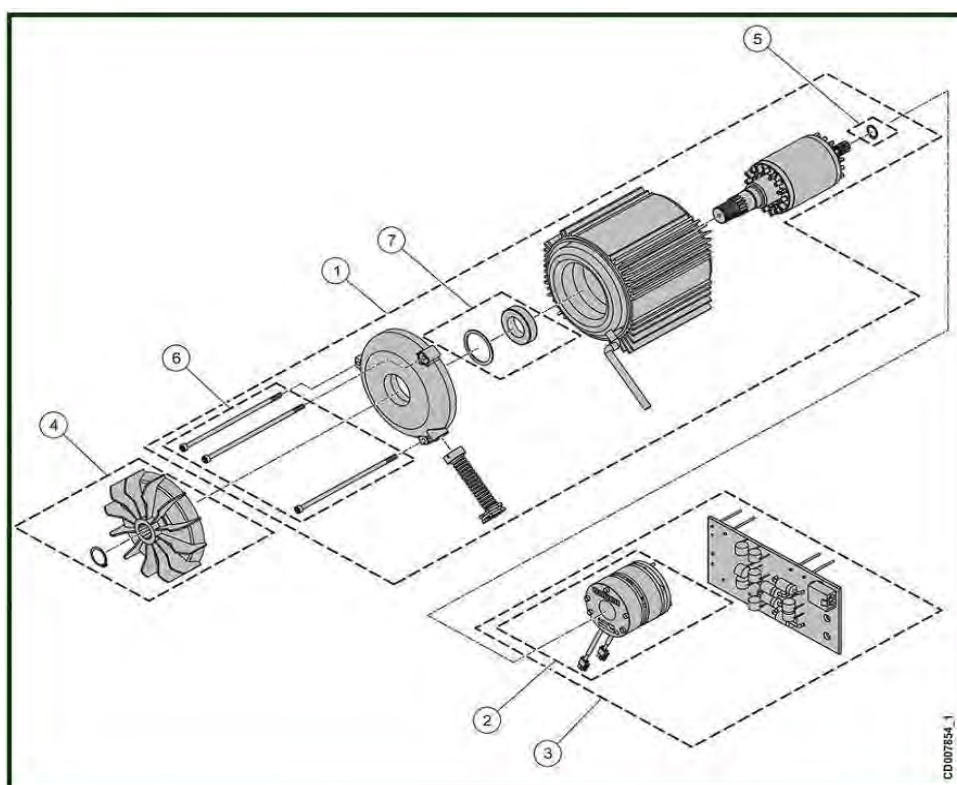
4.1. Single brake



Single brake

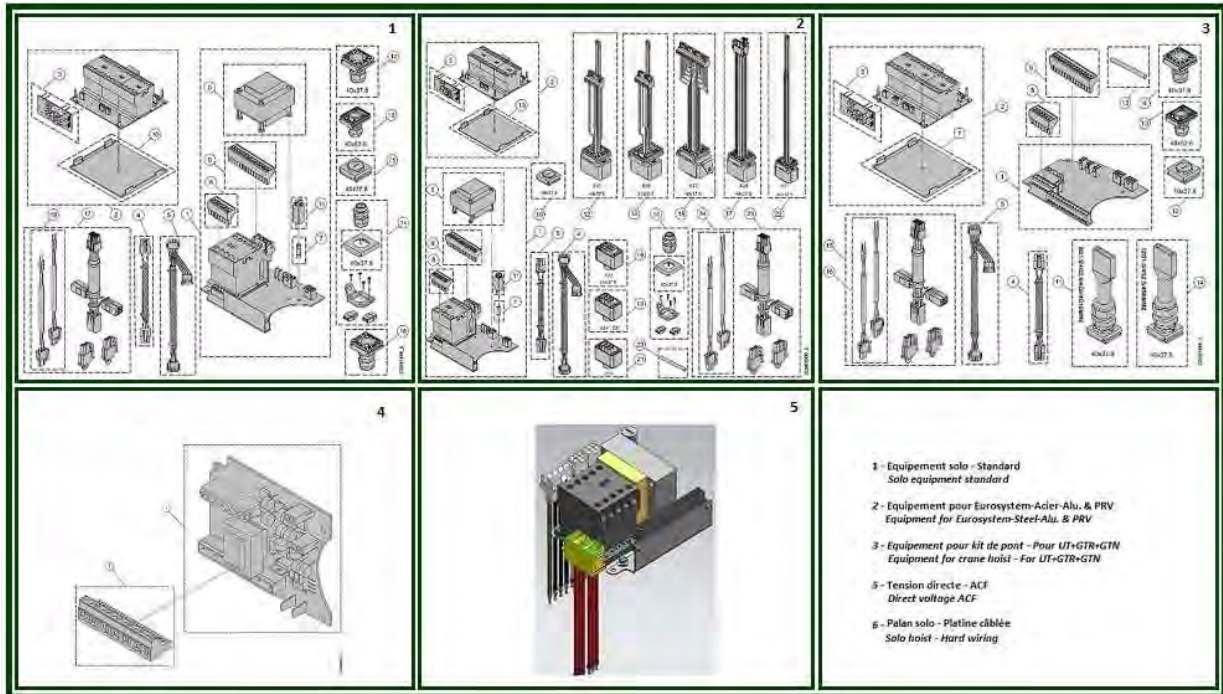
Item	Reference	Description	Observation	Quantity
1	<u>VT0007756</u>	Motor - 2 speeds	208-230V 60Hz	1
1	<u>VT0005907</u>	Motor - 2 speeds	220-240V 50Hz	1
1	<u>VT0007758</u>	Motor - 2 speeds	380-400V 60Hz	1
1	<u>VT0005906</u>	Motor - 2 speeds	380-415V 50Hz / 440-480V 60Hz	1
1	<u>VT0005908</u>	Motor - 2 speeds	500-525V 50Hz / 575-600V 60Hz	1
1	<u>VT0005980</u>	Motor - 2 speeds (2:6)	220-240V 50Hz	1
1	<u>VT0005979</u>	Motor - 2 speeds (2:6)	380-415V 50Hz / 440-480V 60Hz	1
1	<u>VT0005981</u>	Motor - 2 speeds (2:6)	500-525V 50Hz / 575-600V 60Hz	1
2	<u>VT0005621</u>	Single brake	103 V	1
2	<u>VT0005620</u>	Single brake	190 V	1
2	<u>VT0005877</u>	Single brake	255 V	1
2	<u>VT0006395</u>	Single brake	320 V	1
3	<u>VT0005879</u>	Single brake103V + Rectifier	Brake 100 VCC	1
3	<u>VT0005878</u>	Single brake190V + Rectifier	Brake 180 VCC	1
3	<u>VT0005880</u>	Single brake255V + Rectifier	Brake 240 VCC	1
3	<u>VT0006554</u>	Single brake320V + Rectifier		1
4	<u>VT0005915</u>	Fan set		1
5	<u>VT0005916</u>	Retaining ring		1
6	<u>VT0005917</u>	Screws set		1
7	<u>VT0005912</u>	Bearing set		1

4.2. Double brakes

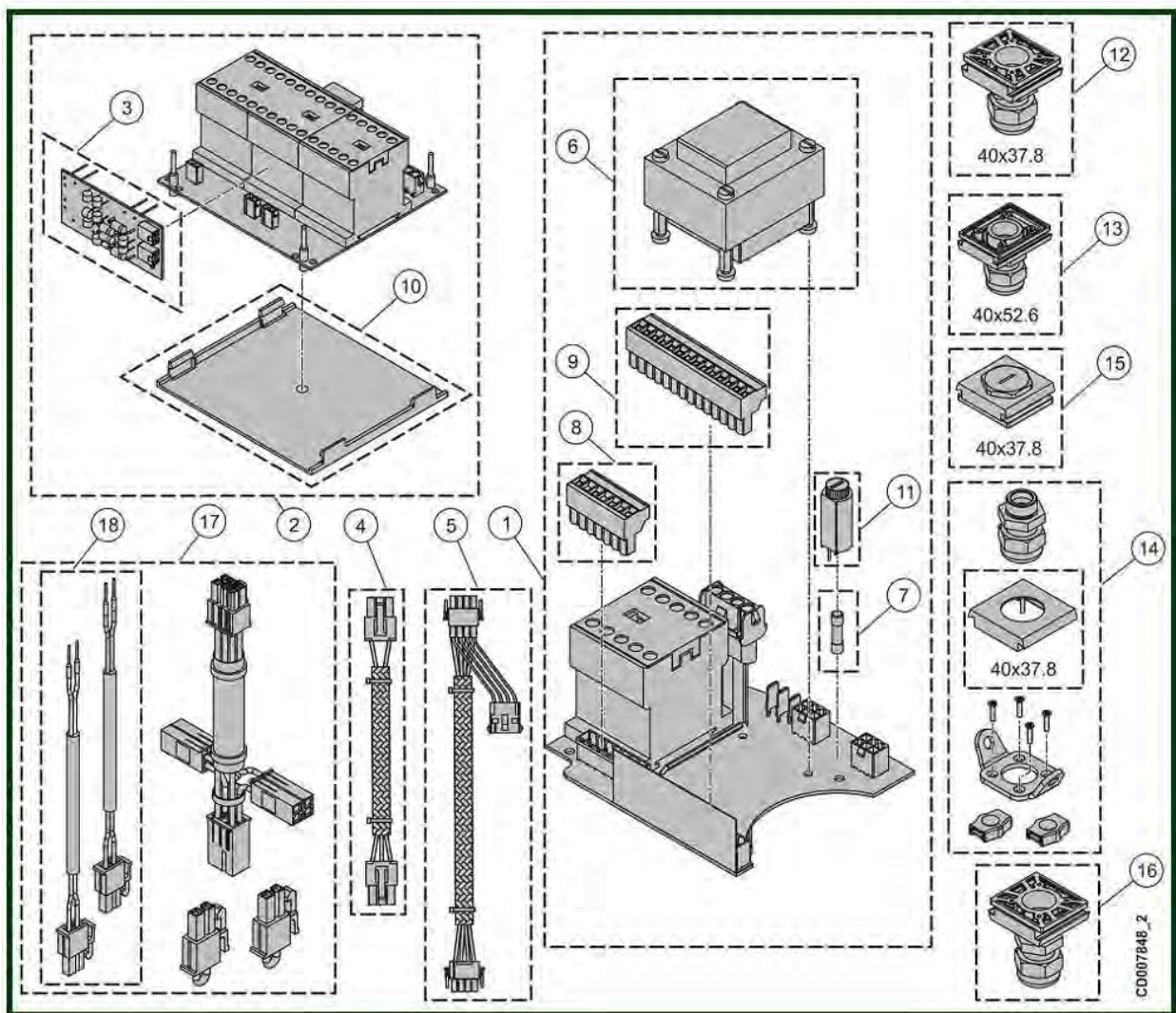


Item	Reference	Description	Observation	Quantity
1	VT0005907	Motor - 2 speeds	220-240V 50Hz	1
1	VT0005906	Motor - 2 speeds	380-415V 50Hz / 440-480V 60Hz	1
1	VT0005908	Motor - 2 speeds	500-525V 50Hz / 575-600V 60Hz	1
1	VT0005980	Motor - 2 speeds (2:6)	220-240V 50Hz	1
1	VT0005979	Motor - 2 speeds (2:6)	380-415V 50Hz / 440-480V 60Hz	1
1	VT0005981	Motor - 2 speeds (2:6)	500-525V 50Hz / 575-600V 60Hz	1
2	VT0006531	Double brakes	103 V	1
2	VT0006551	Double brakes	190 V	1
2	VT0006552	Double brakes	255 V	1
2	VT0006553	Double brakes	320 V	1
3	VT0005913	Double brakes 103V + Rectifier		1
3	VT0005911	Double brakes 190V + Rectifier		1
3	VT0005914	Double brakes 255V + Rectifier		1
3	VT0006555	Double brakes 320V + Rectifier		1
4	VT0005915	Fan set		1
5	VT0005916	Retaining ring		1
6	VT0005917	Screws set		1
7	VT0005912	Bearing set		1

5. ELECTRICAL PARTS



5.1. Solo equipment – Standard

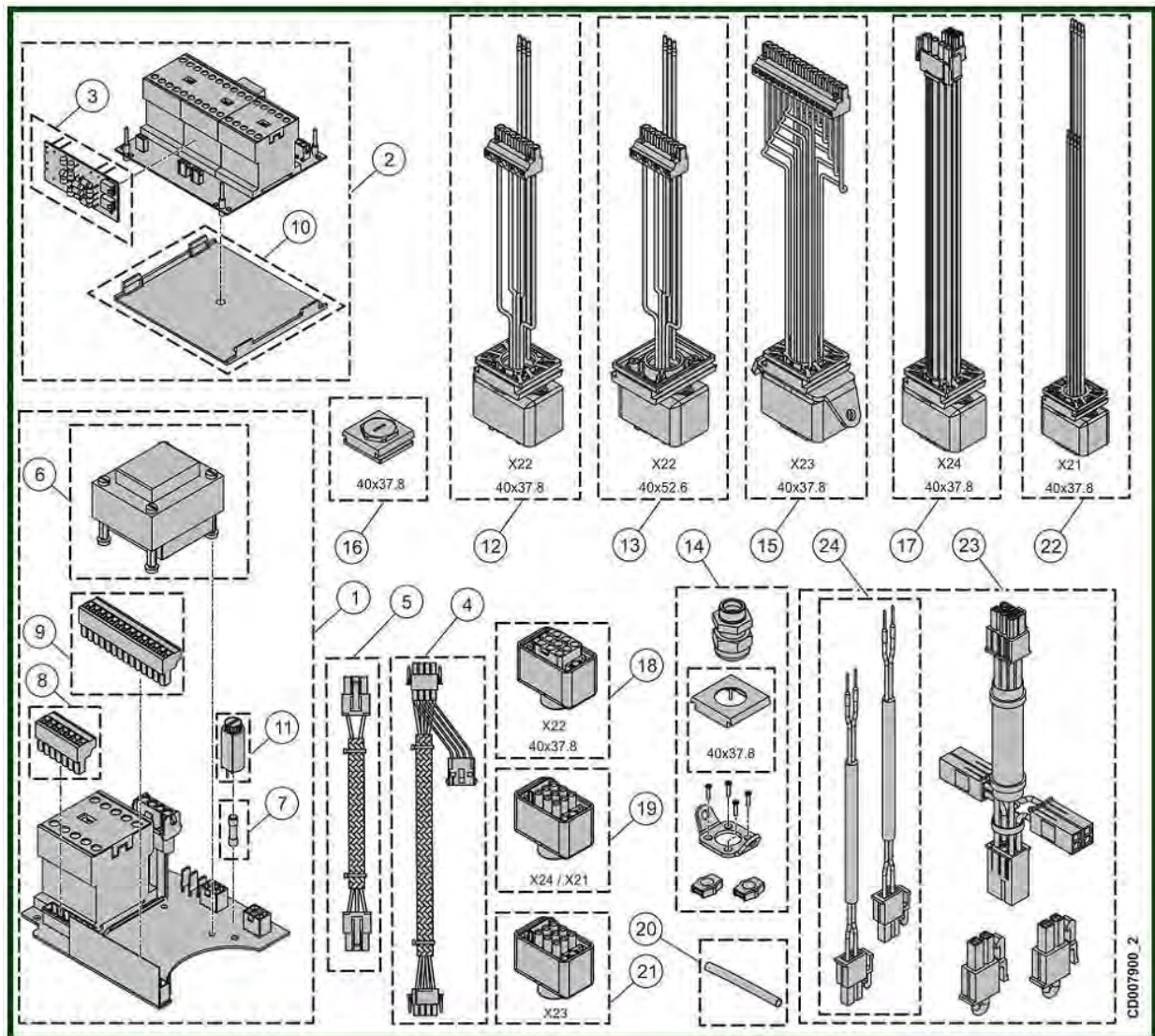


Solo equipment - Standard

Item	Reference	Description	Observation	Quantity
1	<u>VT0006431</u>	Power supply PC Board - Solo hoist	208V 230V / 110V CI/PC	1
1	<u>VT0006430</u>	Power supply PC Board - Solo hoist	230V / 48V CI/PC	1
1	<u>VT0004944</u>	Power supply PC Board - Solo hoist	400V / 24V CI/PC BOARD	1
1	<u>VT0004942</u>	Power supply PC Board - Solo hoist	400V / 48V CI/PC BOARD	1
1	<u>VT0005312</u>	Power supply PC Board - Solo hoist	400V / 110V CI/PC BOARD	1
1	<u>VT0005313</u>	Power supply PC Board - Solo hoist	400V / 230V CI/PC BOARD	1
1	<u>VT0006432</u>	Power supply PC Board - Solo hoist	460V / 48V CI/PC BOARD	1
1	<u>VT0006433</u>	Power supply PC Board - Solo hoist	460V / 110V CI/PC BOARD	1
1	<u>VT0006434</u>	Power supply PC Board - Solo hoist	500V / 48V CI/PC BOARD	1
1	<u>VT0006446</u>	Power supply PC Board - Solo hoist	500V / 110V CI/PC BOARD	1
1	<u>VT0006435</u>	Power supply PC Board - Solo hoist	575V / 48V CI/PC BOARD	1
1	<u>VT0006447</u>	Power supply PC Board - Solo hoist	575V / 110V CI/PC BOARD	1
2	<u>VT0005302</u>	Electrical board - 2 speeds - 1 brake	230V-690V / 24V / 50 60Hz	1
2	<u>VT0004945</u>	Electrical board - 2 speeds - 1 brake	230V-690V / 48V / 50-60Hz	1
2	<u>VT0005303</u>	Electrical board - 2 speeds - 1 brake	230V-690V / 110V / 50-60Hz	1
2	<u>VT0005304</u>	Electrical board - 2 speeds - 1 brake	230V-690V/ 230V / 50-60Hz	1
2	<u>VT0005305</u>	Electrical board - 2 speeds - 2 brakes	230V-690V / 24V /50-60Hz	1
2	<u>VT0005306</u>	Electrical board - 2 speeds - 2 brakes	230V-690V / 48V / 50-60Hz	1
2	<u>VT0005307</u>	Electrical board - 2 speeds - 2 brakes	230V-690V / 50-60Hz	1
2	<u>VT0005308</u>	Electrical board - 2 speeds - 2 brakes	230V-690V/ 230V / 50-60Hz	1
3	<u>VT0004946</u>	Rectifier - 1 brake	230V-690V	1
3	<u>VT0004947</u>	Rectifier - 2 brakes	230V-690V	1
3	<u>VT0004948</u>	Rectifier reconnectable	208V-690V	1
4	<u>VT0004949</u>	Wire harness - Plug control voltage		1
5	<u>VT0004950</u>	Wire harness - Plug power voltage		1
6	<u>VT0006439</u>	Transformer	208V 230V / 115V	1
6	<u>VT0006325</u>	Transformer	230V / 48V	1
6	<u>VT0004952</u>	Transformer	400V / 24V	1
6	<u>VT0004953</u>	Transformer	400V / 48V – 50-60Hz	1
6	<u>VT0004951</u>	Transformer	400V / 115V – 50-60Hz	1
6	<u>VT0004954</u>	Transformer	400V / 230V	1
6	<u>VT0006437</u>	Transformer	460V / 48V	1
6	<u>VT0006440</u>	Transformer	460V / 110V 50-60Hz	1
6	<u>VT0006436</u>	Transformer	500V / 48V	1
6	<u>VT0006438</u>	Transformer	575V / 48V	1

6	<u>VT0008540</u>	Transformer	575V / 110V	1
7	<u>VT0004915</u>	Set of 10 fuses	48V	1
7	<u>VT0004955</u>	Set of 10 fuses	115V	1
7	<u>VT0008541</u>	Set of 10 fuses	230V	1
8	<u>VT0005107</u>	Female connector	4P	1
9	<u>VT0005108</u>	Pendant connector	14P	1
10	<u>VT0006441</u>	Insulation plate		1
11	<u>VT0006191</u>	Fuses base		1
12	<u>VT0006393</u>	Cable gland set Square cable entry	CG M20- ISO 20 Trolley-Power supply	1
13	<u>VT0005089</u>	Cable gland set Rectangular cable entry	Power supply - Only VR2	1
14	<u>VT0005090</u>	Cable gland set Square cable entry	Push button	1
15	<u>VT0006089</u>	End cap Square cable entry		1
16	<u>VT0006326</u>	Flat cable entry Square cable entry	4G2.5	1
17	<u>VT0008551</u>	Set of connection GLS	FDC MS +GLS	1
18	<u>VT0008550</u>	GLS cable	Quantity: 2 for 2 comes or 4 for 4 Comes	1
-	<u>VT0006967</u>	Time counter		1

5.2. Equipment for Eurosystem - Steel - Alu. & PRV

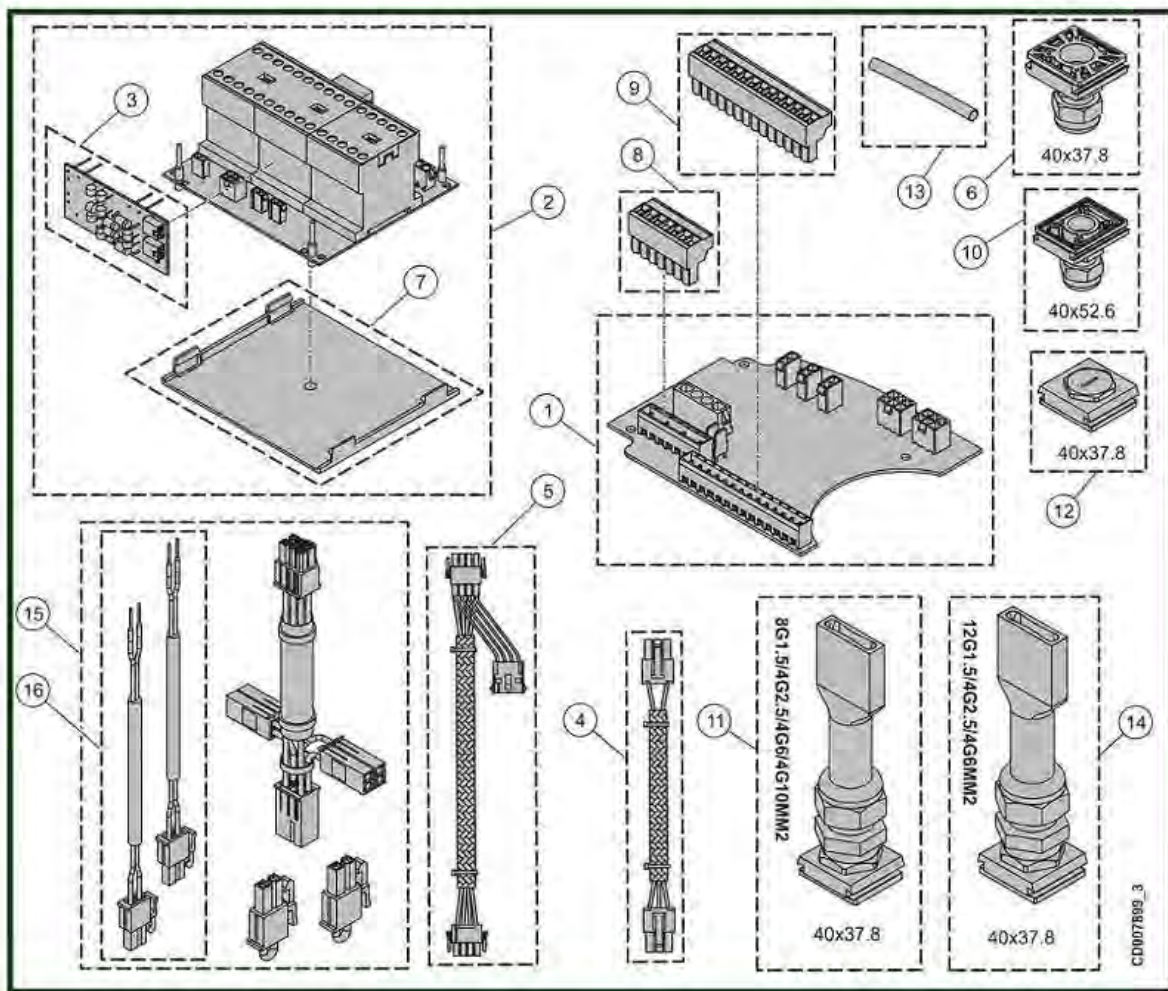


Equipment for Eurosystem – Steel – Alu. & PRV

Item	Reference	Description	Observation	Quantity
1	VT0006431	Power supply PC Board - Solo hoist	208V 230V / 110V CI/PC - Standard	1
1	VT0006430	Power supply PC Board - Solo hoist	230V / 48V CI/PC - Standard	1
1	VT0004944	Power supply PC Board - Solo hoist	400V / 24V CI/PC BOARD	1
1	VT0004942	Power supply PC Board - Solo hoist	400V / 48V CI/PC BOARD	1
1	VT0005312	Power supply PC Board - Solo hoist	400V / 110V CI/PC BOARD	1
1	VT0005313	Power supply PC Board - Solo hoist	400V / 230V CI/PC BOARD	1
1	VT0006432	Power supply PC Board - Solo hoist	460V / 48V CI/PC BOARD	1
1	VT0006433	Power supply PC Board - Solo hoist	460V / 110V CI/PC BOARD	1
1	VT0006434	Power supply PC Board - Solo hoist	500V / 48V CI/PC BOARD	1
1	VT0006446	Power supply PC Board - Solo hoist	500V / 110V CI/PC BOARD	1
1	VT0006435	Power supply PC Board - Solo hoist	575V / 48V CI/PC BOARD	1
1	VT0006447	Power supply PC Board - Solo hoist	575V / 110V CI/PC BOARD	1
2	VT0005302	Electrical board - 2 speeds - 1 brake	230V-690V / 24V / 50 60Hz	1
2	VT0004945	Electrical board - 2 speeds - 1 brake	230V-690V / 48V / 50-60Hz	1
2	VT0005303	Electrical board - 2 speeds - 1 brake	230V-690V / 110V / 50-60Hz	1
2	VT0005304	Electrical board - 2 speeds - 1 brake	230V-690V/ 230V / 50 60Hz	1
2	VT0005305	Electrical board - 2 speeds - 2 brakes	230V-690V / 24V /50 60Hz	1
2	VT0005306	Electrical board - 2 speeds - 2 brakes	230V-690V / 48V / 50 60Hz	1
2	VT0005307	Electrical board - 2 speeds - 2 brakes	230V-690V / 50-60Hz	1
2	VT0005308	Electrical board - 2 speeds - 2 brakes	230V-690V/ 230V / 50 60Hz	1
3	VT0004946	Rectifier - 1 brake	230V-690V	1
3	VT0004947	Rectifier - 2 brakes	230V-690V	1
4	VT0004949	Wire harness - Plug control voltage		1
5	VT0004950	Wire harness - Plug power voltage		1
6	VT0006439	Transformer	208V 230V / 115V	1
6	VT0006325	Transformer	230V / 48V	1
6	VT0004952	Transformer	400V / 24V	1
6	VT0004953	Transformer	400V / 48V - 50/60Hz	1
6	VT0004951	Transformer	400V / 115V - 50/60Hz	1
6	VT0004954	Transformer	400V / 230V	1
6	VT0006437	Transformer	460V / 48V	1
6	VT0006440	Transformer	460V / 110V 50/60Hz	1
6	VT0006436	Transformer	500V / 48V	1
6	VT0006438	Transformer	575V / 48V	1
6	VT0008540	Transformer	575V / 110V	1

7	<u>VT0004915</u>	Set of 10 fuses	48V	1
7	<u>VT0004955</u>	Set of 10 fuses	115V	1
7	<u>VT0008541</u>	Set of 10 fuses	230V	1
8	<u>VT0005107</u>	Female connector	4P	1
9	<u>VT0005108</u>	Pendant connector	14P	1
10	<u>VT0006441</u>	Insulation plate		1
11	<u>VT0006191</u>	Fuses base		1
12	<u>VT0007798</u>	Power supply connector set Square	X 22 – Hoist side	1
13	<u>VT0007574</u>	Power supply connector set Rectangular	X 22 - Hoist side - Only VR2	1
14	<u>VT0005090</u>	Cable gland set Square cable entry	Push button	1
15	<u>VT0007224</u>	Push button connector set -	X23 - Hoist side Movable push button only	1
16	<u>VT0006089</u>	End cap - Square cable entry		1
17	<u>VT0006971</u>	Connector set - Trolley	X 24 - Hoist side	1
18	<u>VT0007804</u>	Connector set - Power supply	X 22 - Flat cable side	1
19	<u>VT0007805</u>	Connector set - Trolley	X 24 - Flat cable side	1
20	<u>VT0007781</u>	Head shrinkable tube		1
21	<u>VT0007806</u>	Connector set- Push button	X23 - Side push button Movable push button only	1
22	<u>VT0008135</u>	Crane cubicle connector set	X 21 – Hoist side	1
23	<u>VT0008551</u>	Set of connection GLS	FDC MS +GLS	1
24	<u>VT0008550</u>	GLS cable	Quantity 2 for 2 comes or 4 for 4 comes	1
-	<u>VT0006967</u>	Time counter		1

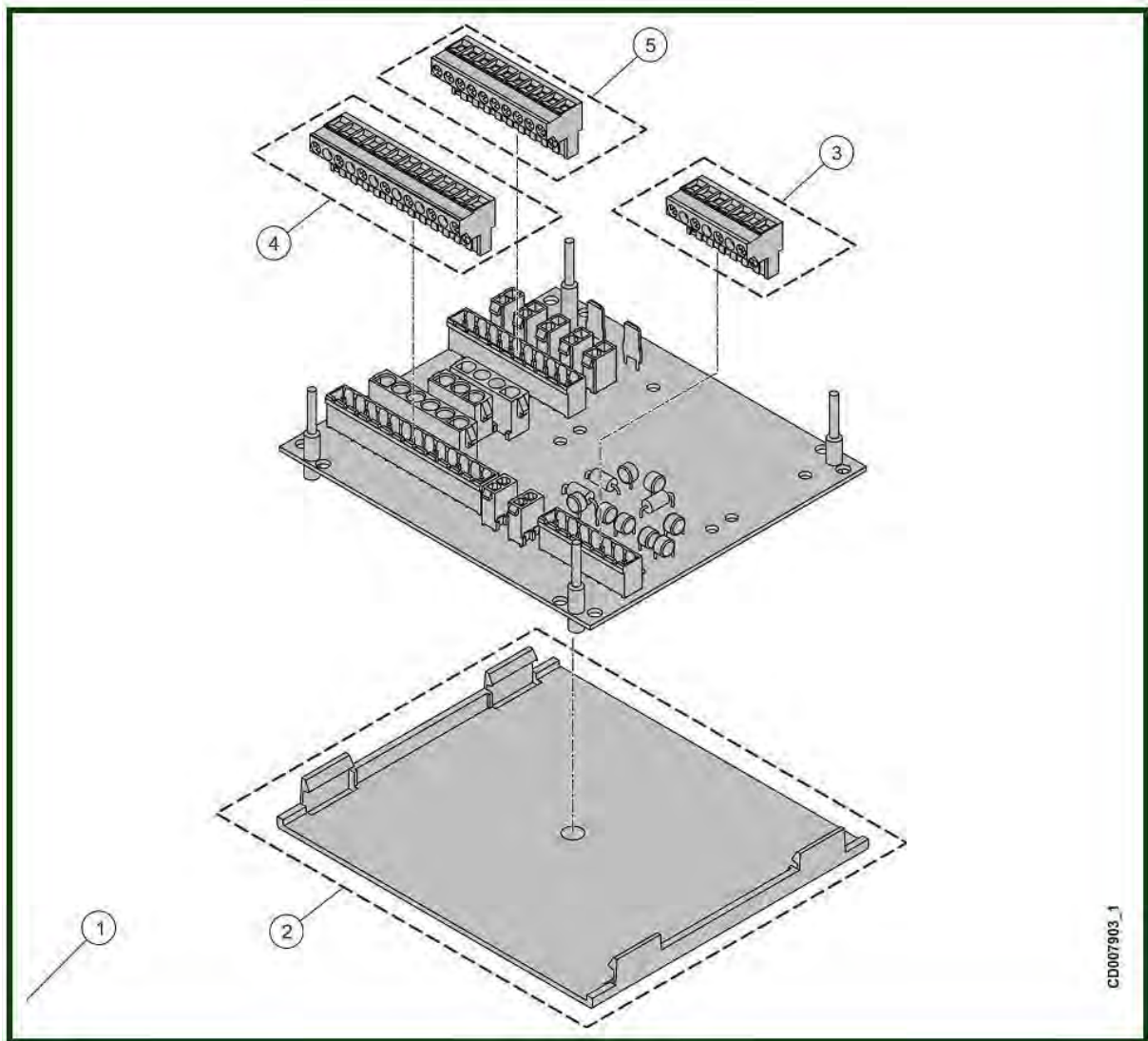
5.3. Equipment for crane hoist - For UT+GTR+GTN



Equipment for crane kit - For UT+GTR+GTN

Item	Reference	Description	Observation	Quantity
1	VT0004943	Electrical power crane	230V-690V CI/PC BOARD	1
2	VT0005302	Electrical board - 2 speeds - 1 brake	230V-690V / 24V / 50 60Hz	1
2	VT0004945	Electrical board - 2 speeds - 1 brake	230V-690V / 48V / 50-60Hz	1
2	VT0005303	Electrical board - 2 speeds - 1 brake	230V-690V / 110V / 50-60Hz	1
2	VT0005304	Electrical board - 2 speeds - 1 brake	230V-690V/ 230V / 50 60Hz	1
2	VT0005305	Electrical board - 2 speeds - 2 brakes	230V-690V / 24V /50 60Hz	1
2	VT0005306	Electrical board - 2 speeds - 2 brakes	230V-690V / 48V / 50 60Hz	1
2	VT0005307	Electrical board - 2 speeds - 2 brakes	230V-690V / 50-60Hz	1
2	VT0005308	Electrical board - 2 speeds - 2 brakes	230V-690V/ 230V / 50 60Hz	1
3	VT0004946	Rectifier - 1 brake	230V-690V	1
3	VT0004947	Rectifier - 2 brakes	230V-690V	1
4	VT0004949	Wire harness - Plug control voltage		1
5	VT0004950	Wire harness - Plug power voltage		1
6	VT0006393	Cable gland set Square cable entry	CG M20- ISO 20 Trolley-Power supply	1
7	VT0006441	Insulation plate		1
8	VT0005107	Female connector	4P	1
9	VT0005108	Pendant connector	14P	1
10	VT0007782	Cable gland set Rectangular cable entry	4G2.5MM2 Flat cable - Only VR2	1
11	VT0007780	Cable gland set Square cable entry	8G1.5/4G2.5/4G6/4G10mm2	1
12	VT0006089	End cap - Square cable entry		1
13	VT0007781	Head shrinkable tube		1
14	VT0006454	Flat cable gland set Square cable entry	12G1.5/4G2.5/4G6mm2 - ISO 25	1
15	VT0008551	Set of connection GLS	FDC MS +GLS	1
16	VT0008550	GLS cable	Quantity : 2 for 2 comes or 4 for 4 comes	1
-	VT0006967	Time counter		1

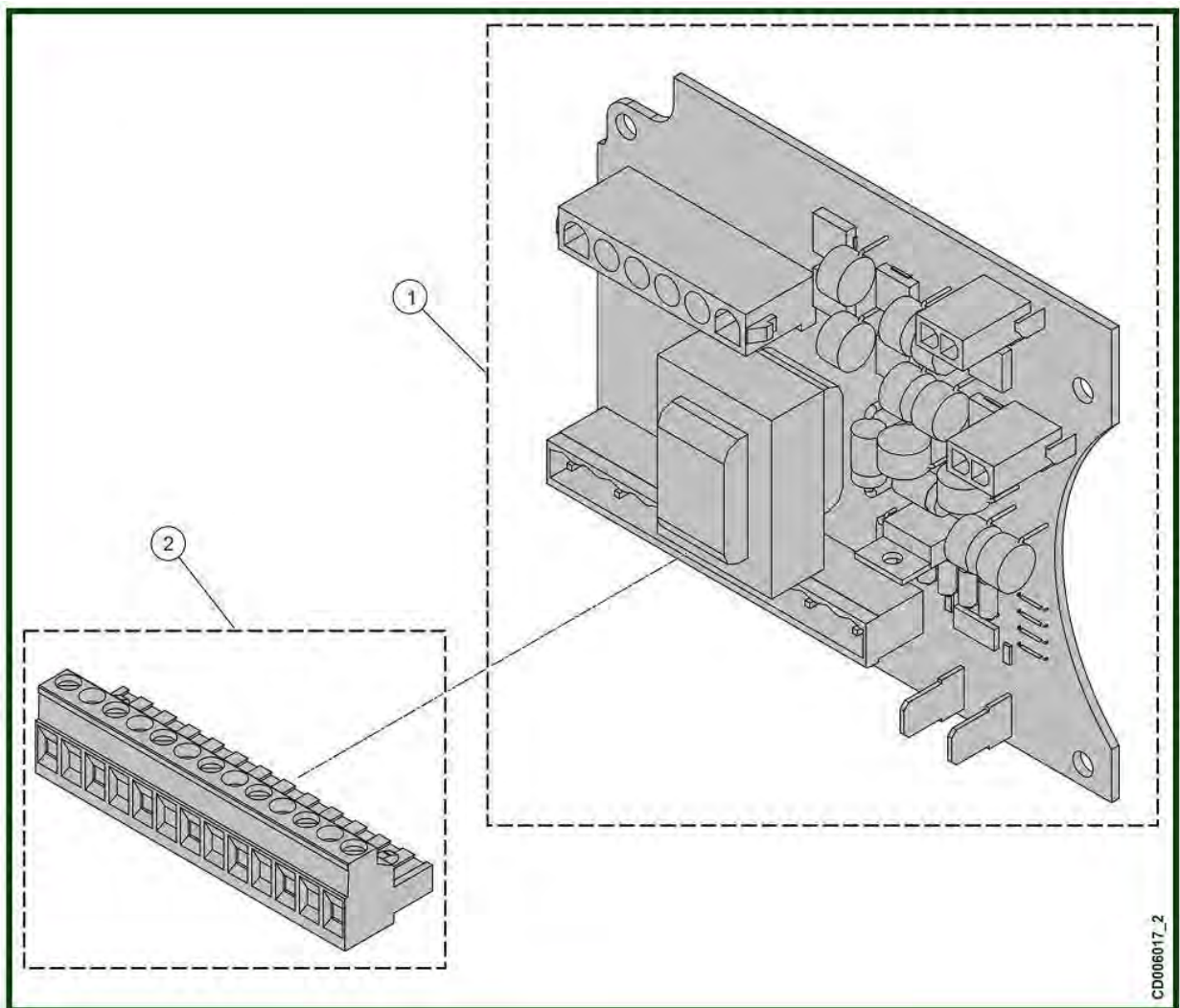
5.4. Without electric component



CD007903_1

Item	Reference	Description	Observation	Quantity
1	VT0007656	Electrical board	Without electric component + Rectifier	1
2	VT0006441	Insulation plate		1
3	VT0005107	Female connector	4P	1
4	VT0006429	Wire harness Plug power voltage	7P	1
5	VT0009330	Control connector	10P	1

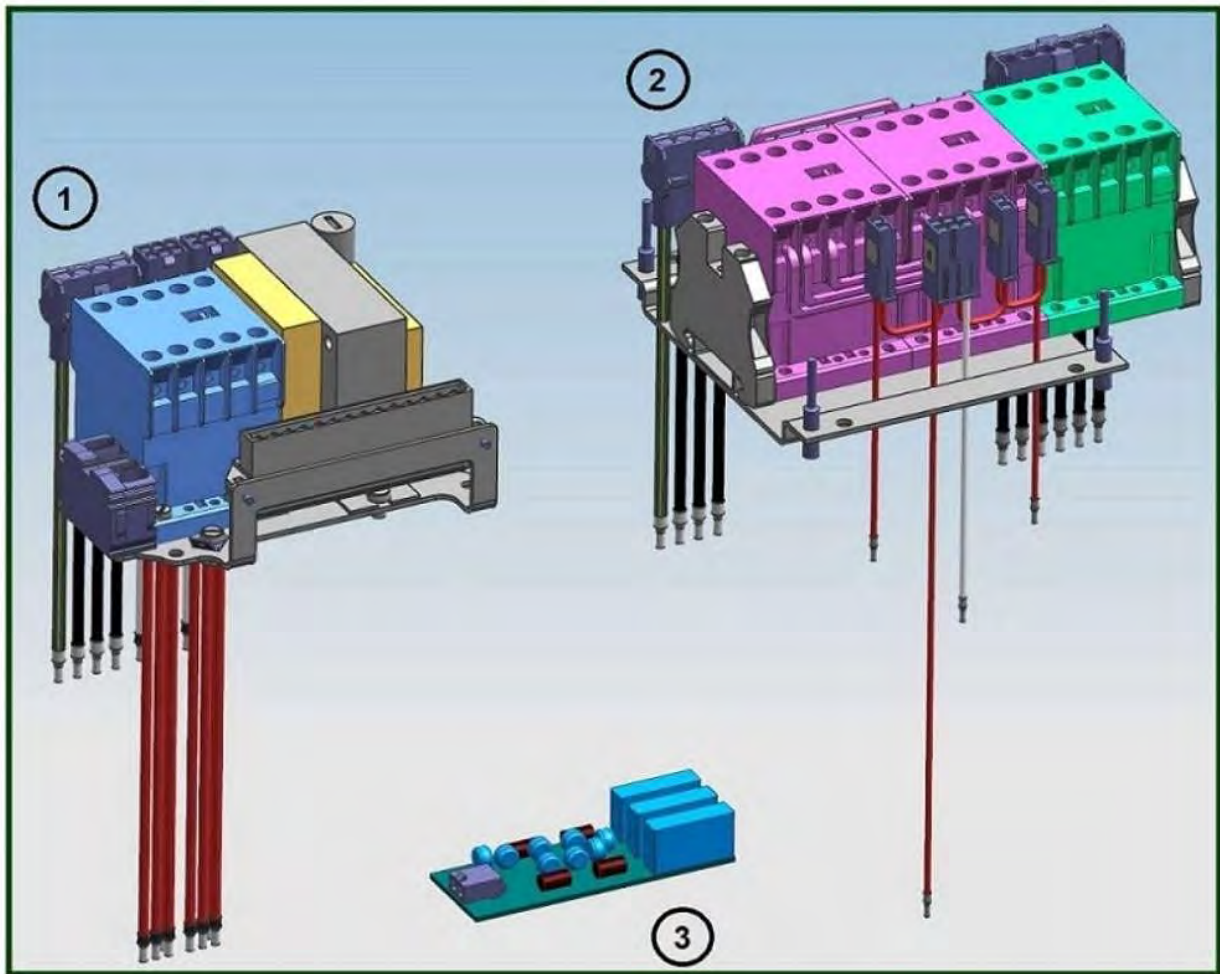
5.5. Direct voltage – ACF



Item	Reference	Description	Observation	Quantity
1	<u>VT0006428</u>	Carte ACF - 2 speeds		1
2	<u>VT0006429</u>	Wire harness Plug power voltage		1

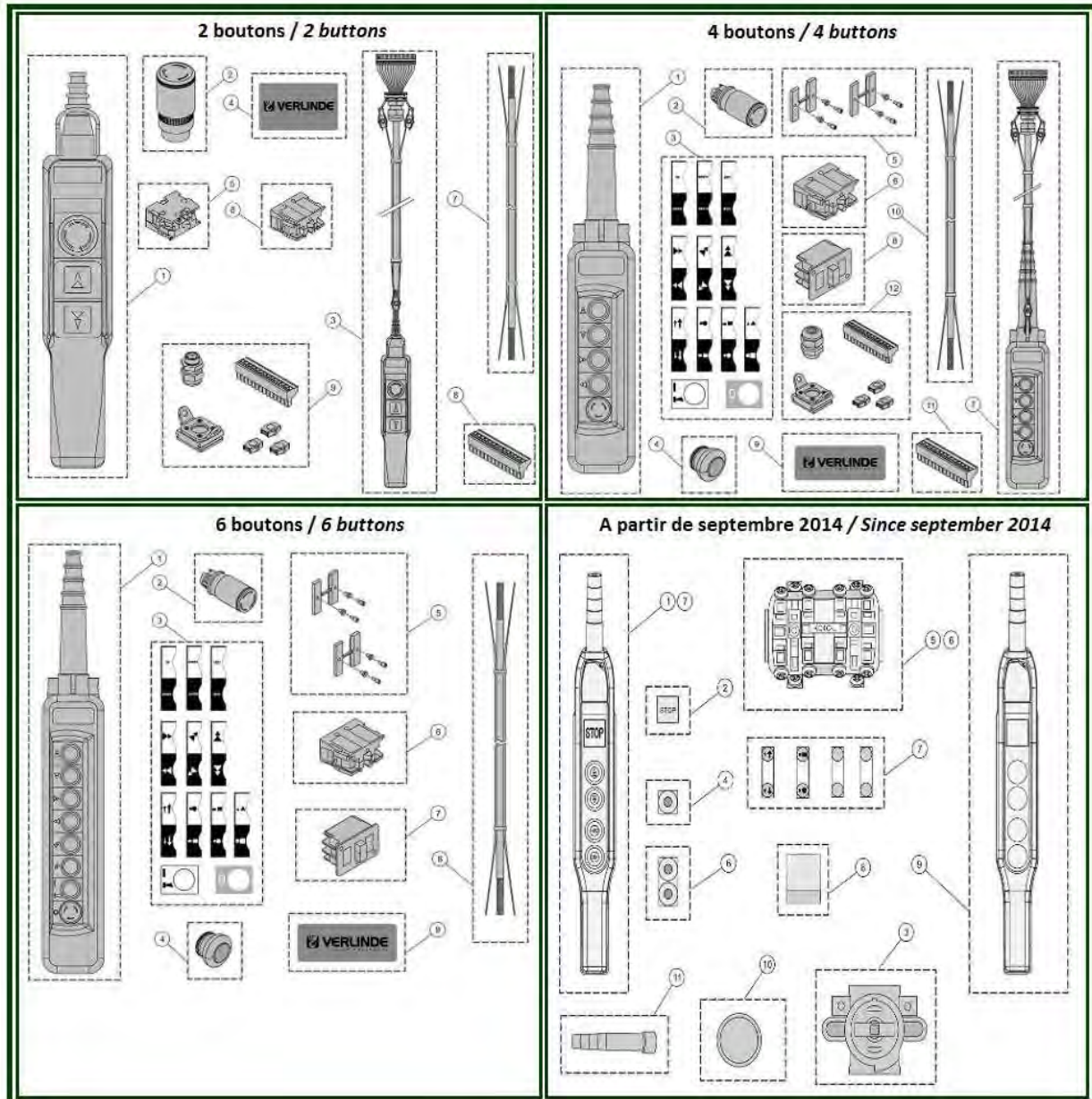
5.6. Solo hoist - Hard wiring

Option

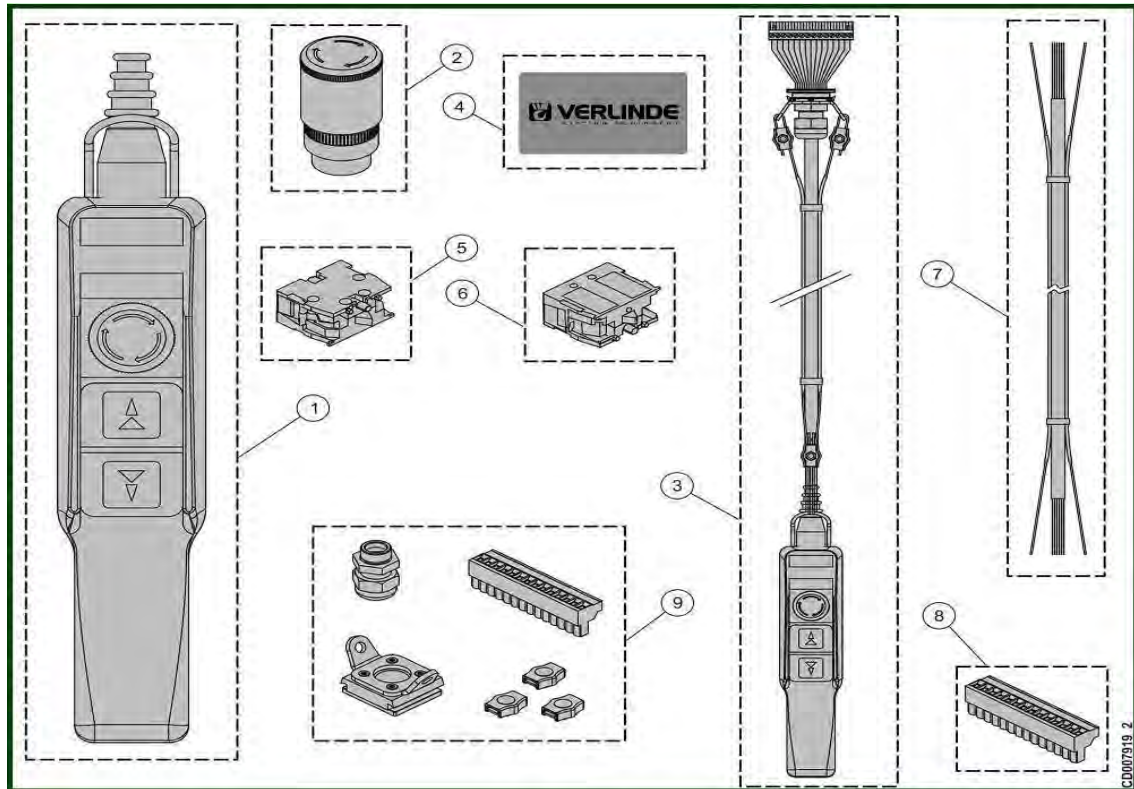


Item	Reference	Description	Observation	Quantity
1	VT0007058	Power supply PC Board - Solo hoist	400V-48V	1
1	VT0007084	Power supply PC Board - Solo hoist	400V-110V	1
1	VT0007086	Power supply PC Board - Solo hoist	460V-48V	1
1	VT0007087	Power supply PC Board - Solo hoist	460V-110V	1
2	VT0007057	Electric board - 2 speeds - 1 brake	208V-575V /48V	1
2	VT0007089	Electric board - 2 speeds - 1 brake	208V-575V /110V-115V	1
3	VT0008823	Rectifier	208V-575V	1

6. PUSH BUTTON CONTROLLER

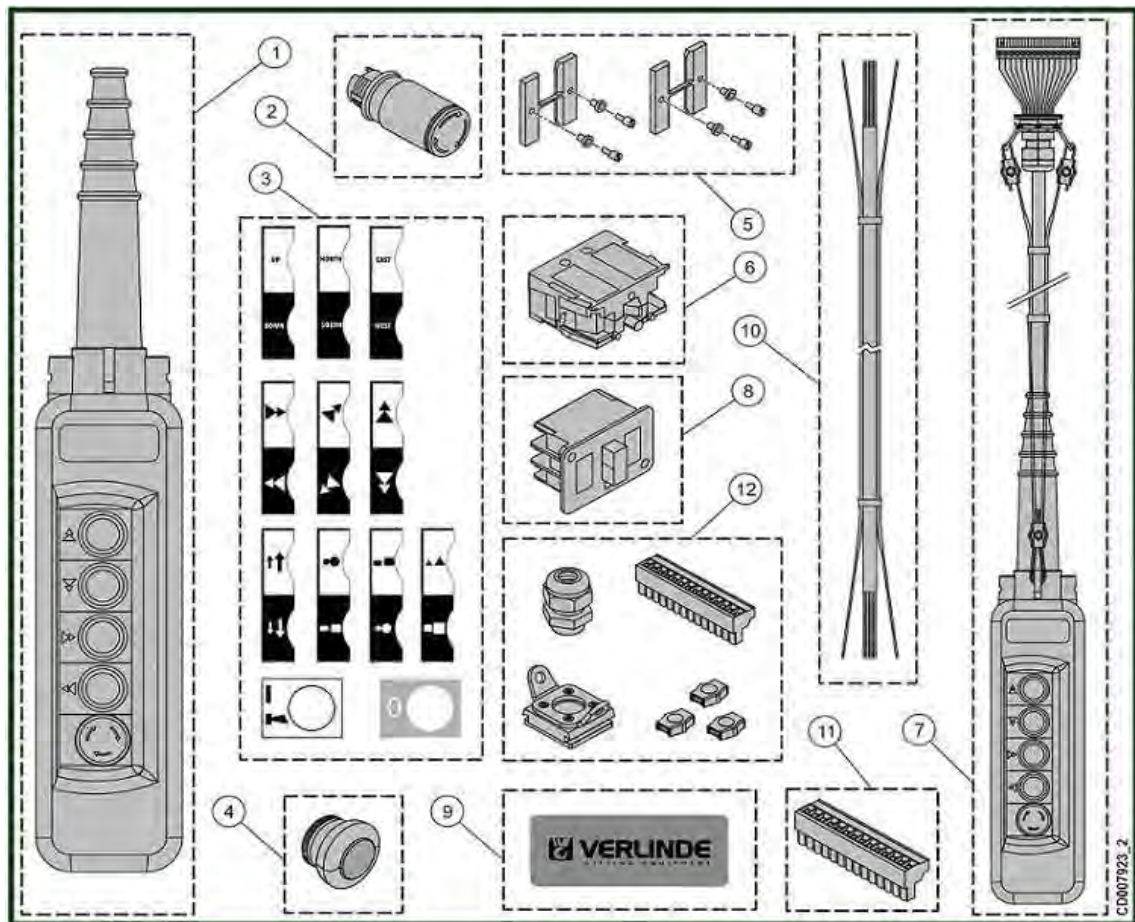


6.1. 2 buttons



Item	Reference	Description	Observation	Quantity
1	VT0005061	Push button - 2HS+ES	Yellow	1
2	VT0006547	Emergency push button		1
3	VT0005612	Pendant with cable - 2HS+ES	2,2 m - Yellow - CE	1
3	VT0005613	Pendant with cable - 2HS+ES	2,7 m - Yellow - CE	1
3	VT0005614	Pendant with cable - 2HS+ES	3,2 m - Yellow - CE	1
3	VT0005615	Pendant with cable - 2HS+ES	3,7 m - Yellow - CE	1
3	VT0005616	Pendant with cable - 2HS+ES	4,2 m - Yellow - CE	1
3	VT0005617	Pendant with cable - 2HS+ES	4,7 m - Yellow - CE	1
3	VT0005618	Pendant with cable - 2HS+ES	5,2 m - Yellow - CE	1
3	VT0005619	Pendant with cable - 2HS+ES	5,7 m - Yellow - CE	1
4	VT0007837	Sticker - Brand	VERLINDE	1
5	VT0005064	Contact block	Z B2-BE101	1
6	VT0005066	Contact block	Z B2-BE 102	1
7	VT0006746	Cable	5x1,5 mm ² - CE	1
8	VT0005108	Pendant connector	14P	1
9	VT0007583	Pendant plug set	ISO	1

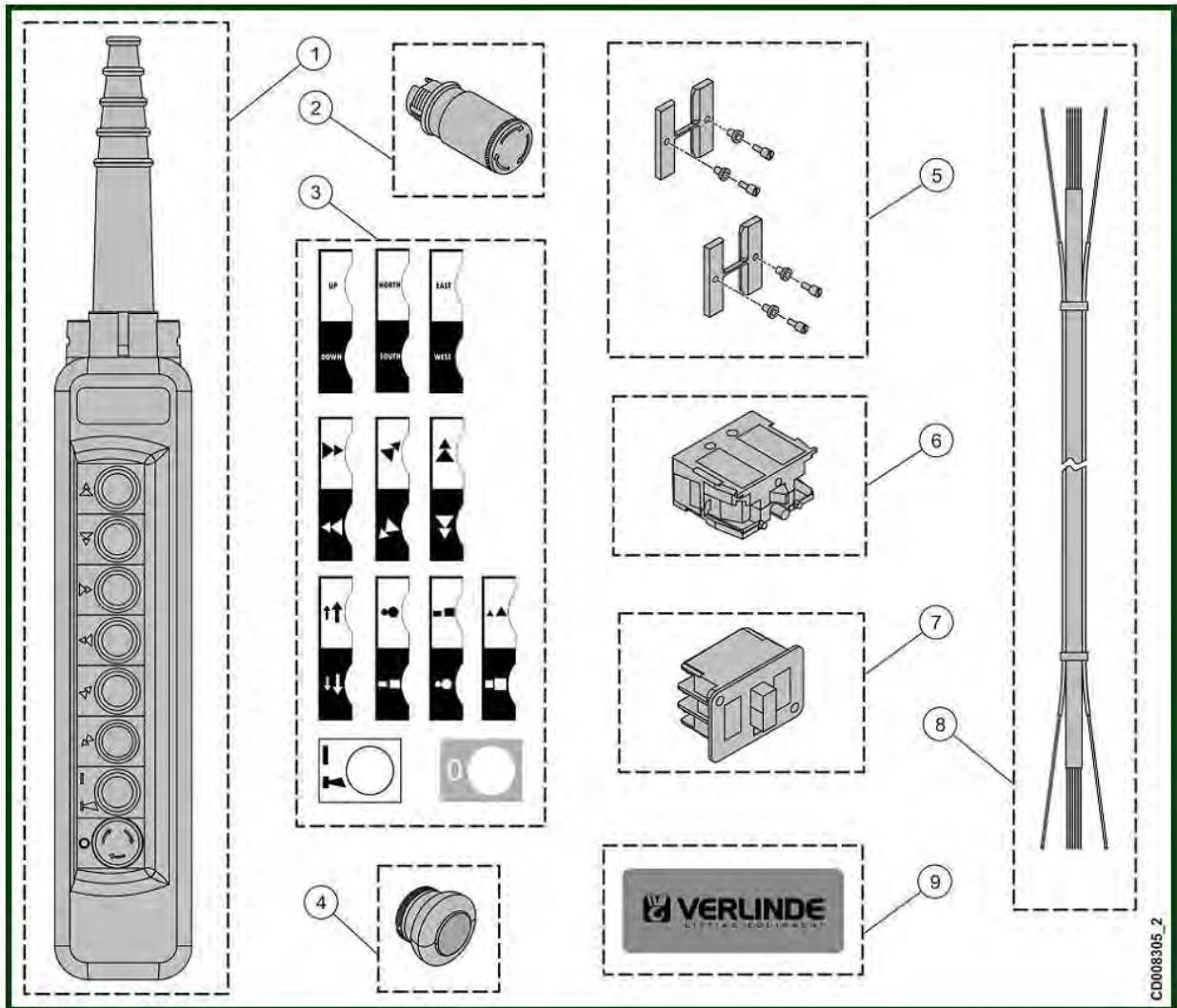
6.2. 4 buttons



4 buttons

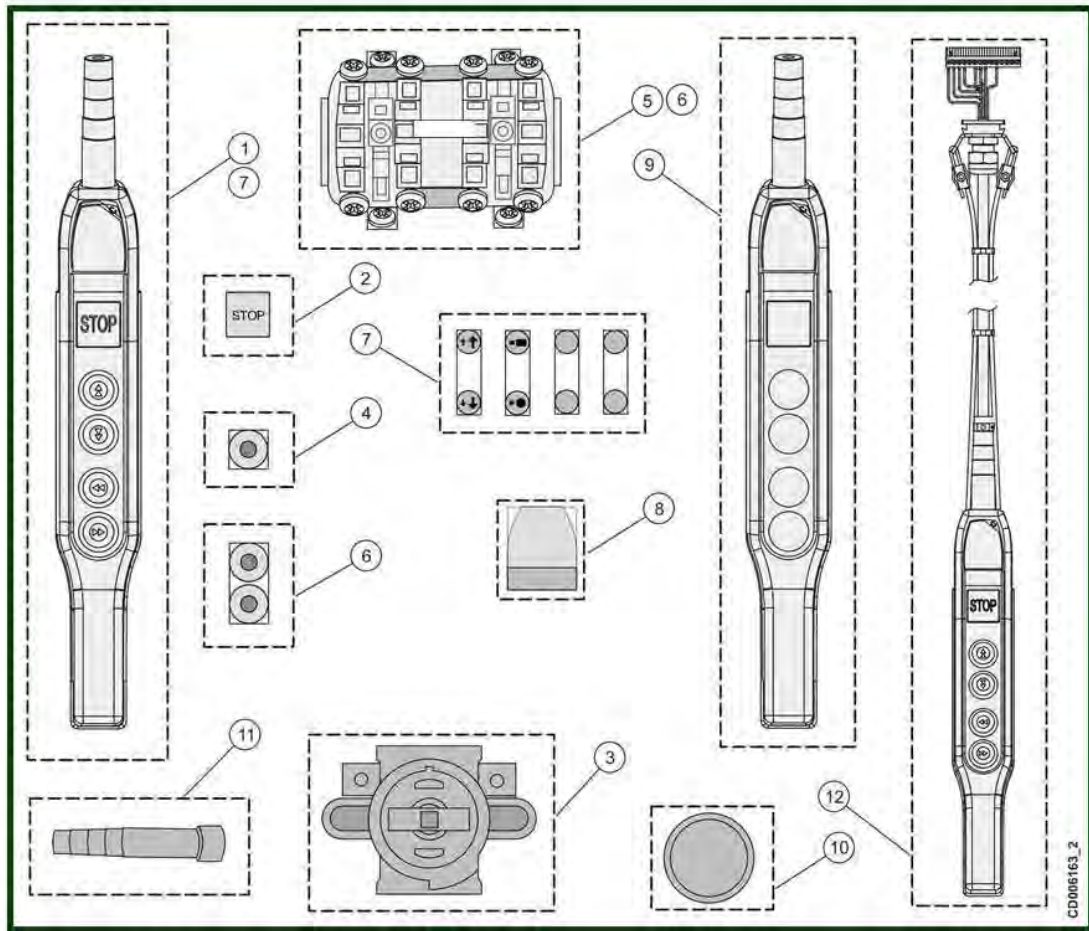
Item	Reference	Description	Observations	Quantity
1	VT0005055	Push button 2HS+2TS+ES	Yellow	1
2	VT0006548	Emergency push button		1
3	VT0007882	Set of direction symbols		1
4	VT0005063	Push button		1
5	VT0005072	Mechanical interlock		2
6	VT0005066	Contact block	Z B2-BE 102	1
7	VT0006059	Pendant with cable - 2HS+2TS+ES	4,2 m - Yellow	1
7	VT0006060	Pendant with cable - 2HS+2TS+ES	4,7 m - Yellow	1
7	VT0006061	Pendant with cable - 2HS+2TS+ES	5,2 m - Yellow	1
7	VT0006062	Pendant with cable - 2HS+2TS+ES	5,7 m - Yellow	1
7	VT0006055	Pendant with cable - 2HS+2TS+ES	2,2 m - Yellow	1
7	VT0006056	Pendant with cable - 2HS+2TS+ES	2,7 m - Yellow	1
7	VT0006057	Pendant with cable - 2HS+2TS+ES	3,2 m - Yellow	1
7	VT0006058	Pendant with cable - 2HS+2TS+ES	3,7 m - Yellow	1
8	VT0007879	Block contact	X ENG1191	1
9	VT0007880	Sticker - Brand		1
10	VT0006747	Cable - 8x1,5mm ²	meter	1
11	VT0005108	Pendant connector	14P	1
12	VT0007583	Pendant plug set	ISO	1

6.3. 6 buttons



Item	Reference	Description	Observations	Quantity
1	VT0005058	Push button 2HS+2TS+2LS+ON-OFF	Yellow	1
2	VT0006548	Emergency push button		1
3	VT0007882	Set of direction symbols		1
4	VT0005063	Push button		1
5	VT0005072	Mechanical interlock		2
6	VT0005066	Contact block	Z B2-BE 102	1
7	VT0007879	Block contact	X ENG1191	1
8	VT0008073	Cable	16x1.52mm ² - meter	1
8	VT0008074	Cable	20x1.5mm ² - meter	1
9	VT0007880	Sticker - Brand	VERLINDE	1
-	VT0005108	Pendant connector	14P	1

6.4. Push button - From september 2014

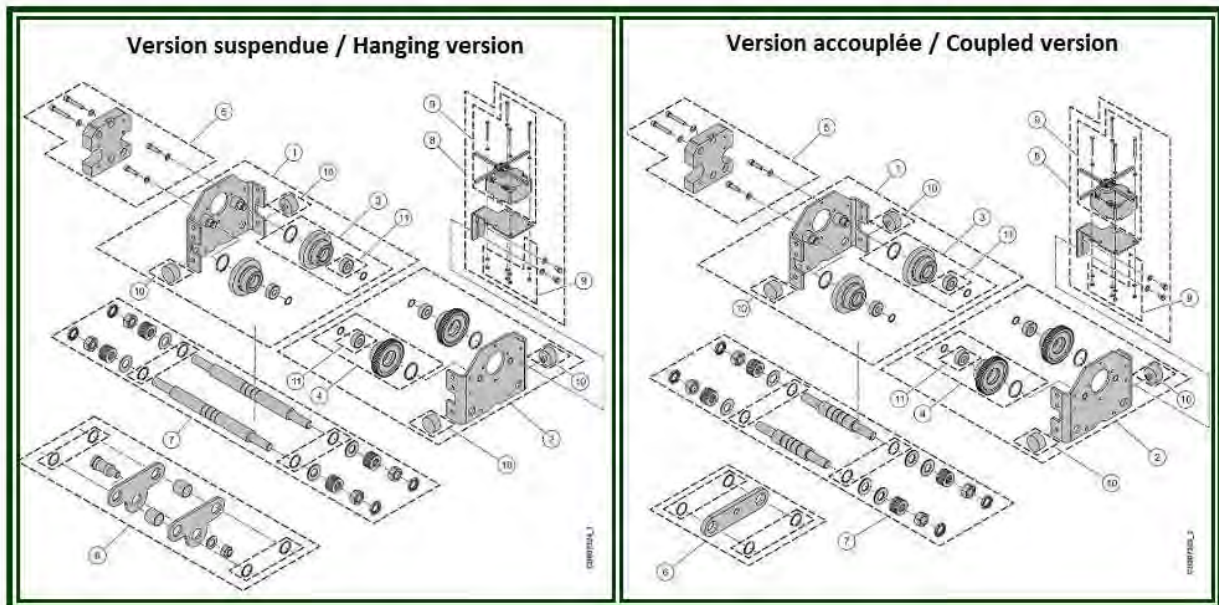


Push button - From september 2014

Item	Reference	Description	Observation	Quantity
1	<u>VT0006495</u>	Push button - 2HS+2TS+ES	Yellow - 4 buttons	1
1	<u>VT0006493</u>	Push button - 2HS+ES	Yellow - 2 buttons	1
2	<u>VT0006509</u>	Emergency push button		1
3	<u>VT0006510</u>	Emergency stop contact block		1
4	<u>VT0006511</u>	Rubber push button		1
5	<u>VT0006513</u>	Bloc de contact	2 speeds	1
6	<u>VT0006514</u>	Kit de 2 boutons + bloc de contact		1
7	<u>VT0006754</u>	Stickers - Direction symbols	ANSI	1
7	<u>VT0006752</u>	Stickers - Direction symbols	DIN	1
7	<u>VT0006753</u>	Stickers - Direction symbols	FIN-SEN	1
8	<u>VT0006496</u>	Sticker - Brand	VERLINDE	1
9	<u>VT0006515</u>	Push button	Yellow - 2 buttons	1
9	<u>VT0006518</u>	Push button	Yellow - 4 buttons	1
10	<u>VT0006517</u>	Magnet		1
11	<u>VT0006516</u>	Bouchon caoutchouc		1
12	<u>VT0006958</u>	Push buttons box + cable + plug - 2HS+ES	2,20 m - Yellow - DIN	1
12	<u>VT0006951</u>	Push buttons box + cable + plug - 2HS+ES	2,70 m - Yellow - DIN	1
12	<u>VT0006952</u>	Push buttons box + cable + plug - 2HS+ES	3,20 m - Yellow - DIN	1
12	<u>VT0006953</u>	Push buttons box + cable + plug - 2HS+ES	3,70 m - Yellow - DIN	1
12	<u>VT0006954</u>	Push buttons box + cable + plug - 2HS+ES	4,20 m - Yellow - DIN	1
12	<u>VT0006955</u>	Push buttons box + cable + plug - 2HS+ES	4,70 m - Yellow - DIN	1
12	<u>VT0006956</u>	Push buttons box + cable + plug - 2HS+ES	5,20 m - Yellow - DIN	1
12	<u>VT0006957</u>	Push buttons box + cable + plug - 2HS+ES	5,70 m - Yellow - DIN	1
13	<u>VT0006959</u>	Push buttons box + cable + plug - 2HS+2TS+ES	2,20 m - Yellow - DIN	1
13	<u>VT0006966</u>	Push buttons box + cable + plug - 2HS+2TS+ES	2,70 m - Yellow - DIN	1
13	<u>VT0006960</u>	Push buttons box + cable + plug - 2HS+2TS+ES	3,20 m - Yellow - DIN	1
13	<u>VT0006961</u>	Push buttons box + cable + plug - 2HS+2TS+ES	3,70 m - Yellow - DIN	1
13	<u>VT0006962</u>	Push buttons box + cable + plug - 2HS+2TS+ES	4,20 m - Yellow - DIN	1
13	<u>VT0006963</u>	Push buttons box + cable + plug - 2HS+2TS+ES	4,70 m - Yellow - DIN	1
13	<u>VT0006964</u>	Push buttons box + cable + plug - 2HS+2TS+ES	5,20 m - Yellow - DIN	1
13	<u>VT0006965</u>	Push buttons box + cable + plug - 2HS+2TS+ES	5,70 m - Yellow - DIN	1

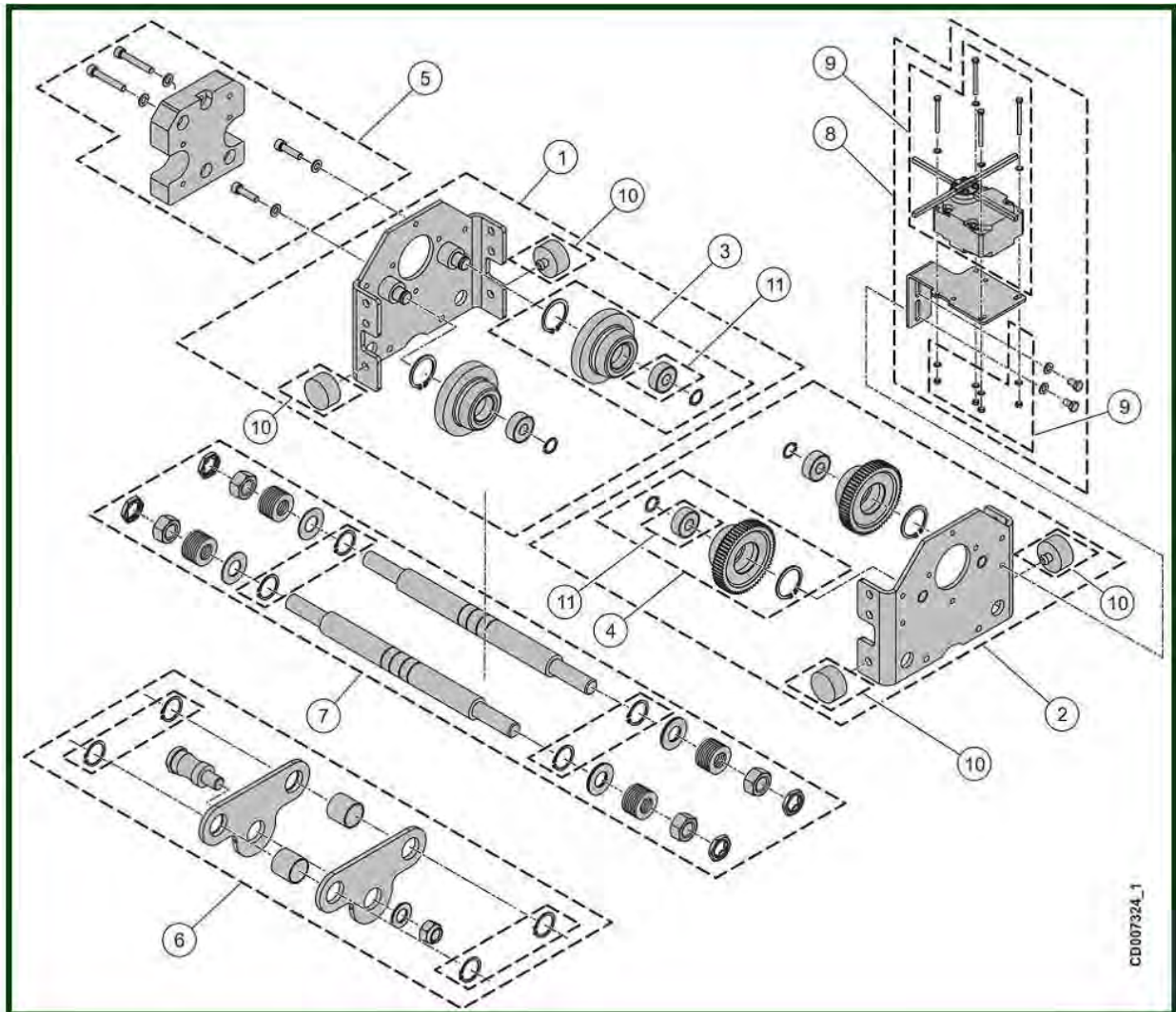
7. NORMAL HEADROOM TROLLEY

NHT



7.1. C1 Trolley - 0 TO 1000 kg – Hanging version

NHT



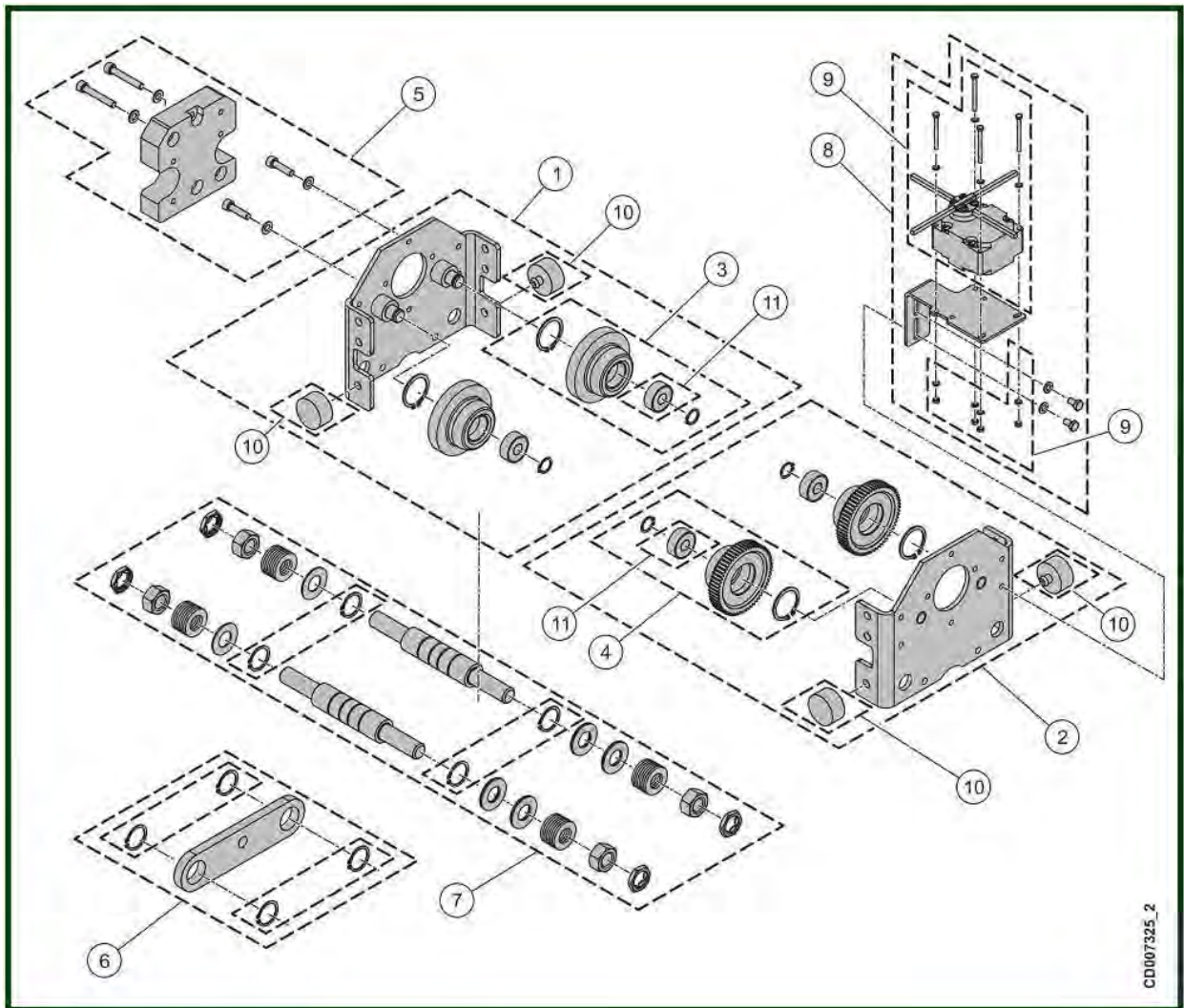
C1 trolley - 0 to 1000 kg - Hanging version

NHT

Item	Reference	Description	Observation	Quantity
1	<u>VT0007051</u>	Idler side plate assembly		1
2	<u>VT0007066</u>	Drive side plate assembly		1
3	<u>VT0007061</u>	Complete set of travel wheel without shaft		1
4	<u>VT0007063</u>	Complete driving wheel without shaft	Ø 62 - 93 mm	1
5	<u>VT0007062</u>	Set of counterweight		1
6	<u>VT0007064</u>	Coupling part	Hanging version	1
7	<u>VT0007026</u>	Tie rod set beam - 55 to 100 mm	Monobloc tie road since 1999	1
7	<u>VT0007027</u>	Tie rod set beam - 106 to 150 mm	Monobloc tie road since 1999	1
7	<u>VT0007028</u>	Tie rod set beam - 155 to 200 mm	Monobloc tie road since 1999	1
7	<u>VT0007029</u>	Tie rod set beam - 206 o 248 mm	Monobloc tie road since 1999	1
7	<u>VT0007030</u>	Tie rod set beam - 260 to 307 mm	Monobloc tie road since 1999	1
7	<u>VT0007031</u>	Tie rod set beam - 308 to 310 mm	Monobloc tie road since 1999	1
8	<u>VT0007098</u>	Limit switch - 1 step		1
8	<u>VT0008775</u>	Limit switch - 2 steps		1
9	<u>VT0008776</u>	Travelling limit switch assembly - 1 step		1
9	<u>VT0008777</u>	Travelling limit switch assembly - 2 steps		1
10	<u>VT0009357</u>	Buffer	D40x20 – From trolley C1 to C5	1
11	<u>VT0007091</u>	Ball bearing		1

7.2. C1 trolley - 0 to 1000 kg - Coupled version

NHT



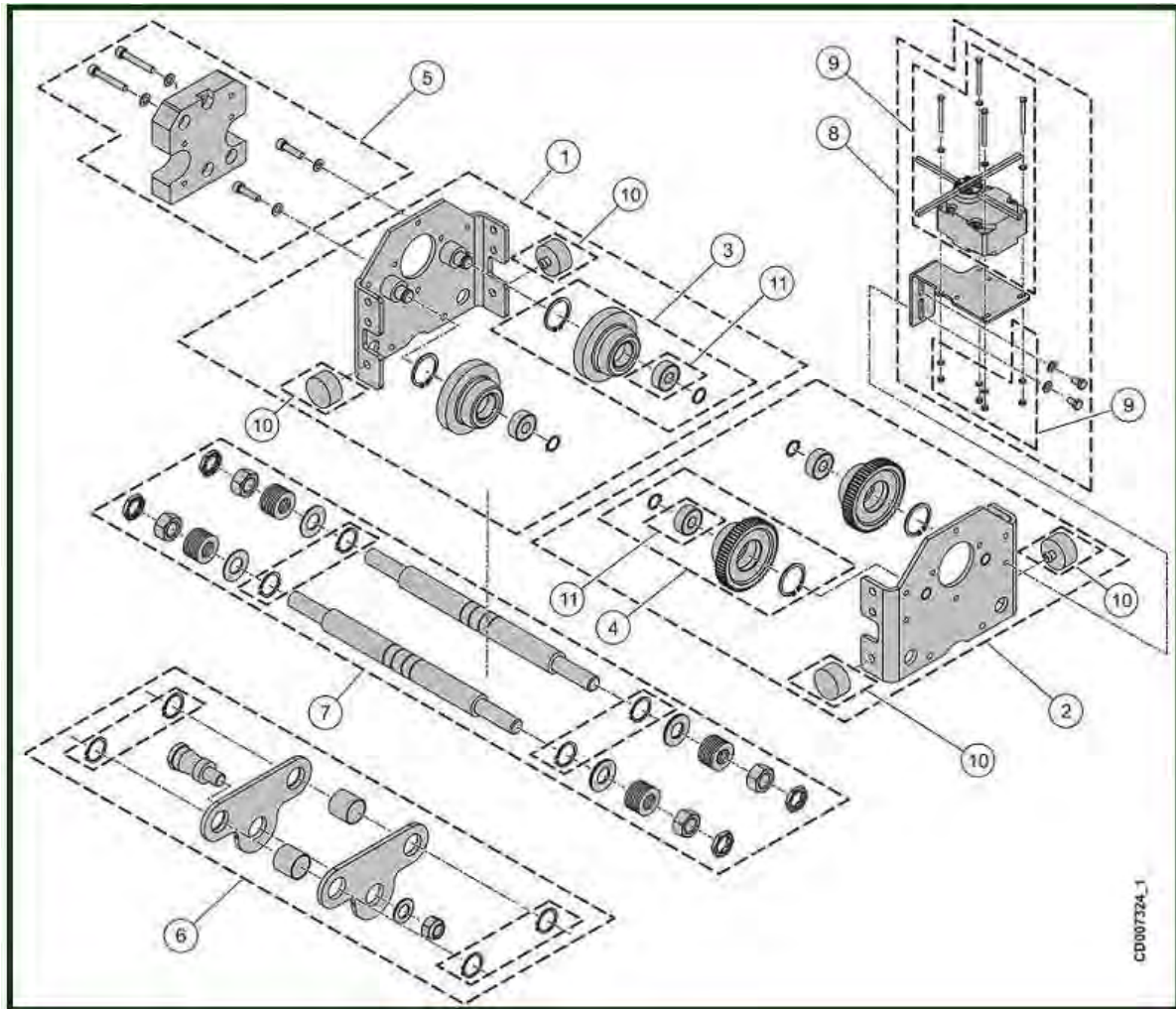
C1 trolley - 0 to 1000 kg - Coupled version

NHT

Item	Reference	Description	Observation	Quantity
1	VT0007051	Idler side plate assembly		1
2	VT0007066	Drive side plate assembly		1
3	VT0007061	Complete set of travel wheel without shaft		1
4	VT0007063	Complete set of driving wheel without shaft	Ø 62 - 93 mm	1
5	VT0007062	Set of counterweight		1
6	VT0007065	Coupling part	Coupled version	1
7	VT0007026	Tie rod set beam - 55 to 100 mm	Monobloc tie road since 1999	1
7	VT0007027	Tie rod set beam - 106 to 150 mm	Monobloc tie road since 1999	1
7	VT0007028	Tie rod set beam - 155 to 200 mm	Monobloc tie road since 1999	1
7	VT0007029	Tie rod set beam - 206 to 248 mm	Monobloc tie road since 1999	1
7	VT0007030	Tie rod set beam - 260 à 307 mm	Monobloc tie road since 1999	1
7	VT0007031	Tie rod set beam - 308 à 310 mm	Monobloc tie road since 1999	1
8	VT0007098	Limit switch - 1 step		1
8	VT0008775	Limit switch - 2 steps		1
9	VT0008776	Travelling limit switch assembly - 1 step		1
9	VT0008777	Travelling limit switch assembly - 2 steps		1
10	VT0009357	Buffer	D40x20 – Trolley C1 à C5	1
11	VT0007091	Ball bearing		1

7.3. C2 trolley - 1001 to 2000 kg - Hanging version

Only for voltage greater than 480V



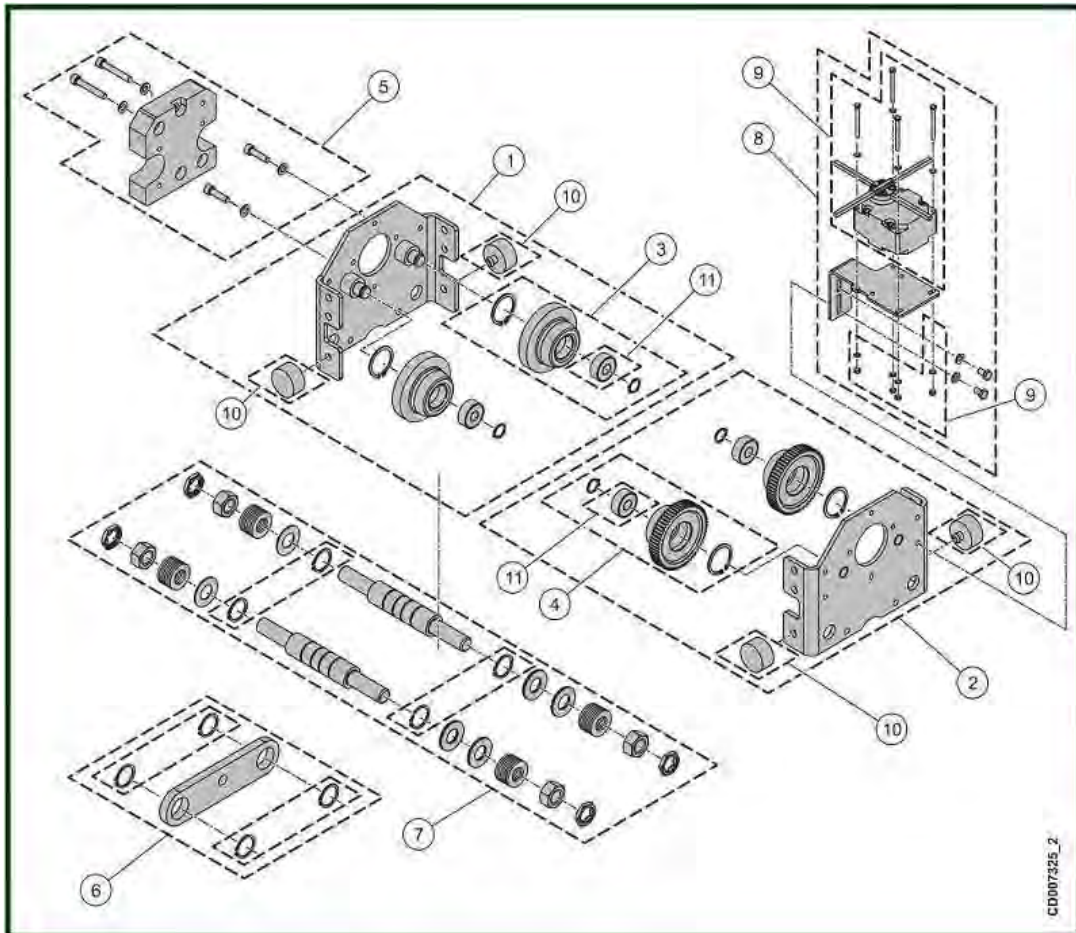
C2 trolley - 1001 to 2000 kg - Hanging version

Only for voltage greater than 480V

Item	Reference	Description	Observation	Quantity
1	VT0007067	Idler side plate assembly		1
2	VT0007068	Drive side plate assembly		1
3	VT0007069	Complete set of travel wheel without shaft	∅ 80x120 mm	1
4	VT0008778	Complete set of driving wheel without shaft	∅ 80x120 mm	1
5	VT0008780	Set of counterweight		1
6	VT0008779	Coupling part	Hanging version	1
7	VT0007036	Tie rod set beam - 64 to 126 mm	Monobloc tie road since 1999	1
7	VT0007037	Tie rod set beam - 131 to 190 mm	Monobloc tie road since 1999	1
7	VT0007038	Tie rod set beam - 198 to 248 mm	Monobloc tie road since 1999	1
7	VT0007039	Tie rod set beam - 260 to 310 mm	Monobloc tie road since 1999	1
8	VT0007098	Limit switch - 1 step		1
8	VT0008775	Limit switch - 2 steps		1
9	VT0008776	Travelling limit switch assembly - 1 step		1
9	VT0008777	Travelling limit switch assembly - 2 steps		1
10	VT0007088	Buffer	40X 20 M10	1
11	VT0008781	Ball bearing	C2	1

7.4. C2 trolley - 1001 à 2000 kg - Coupled version

Only for voltage greater than 480V



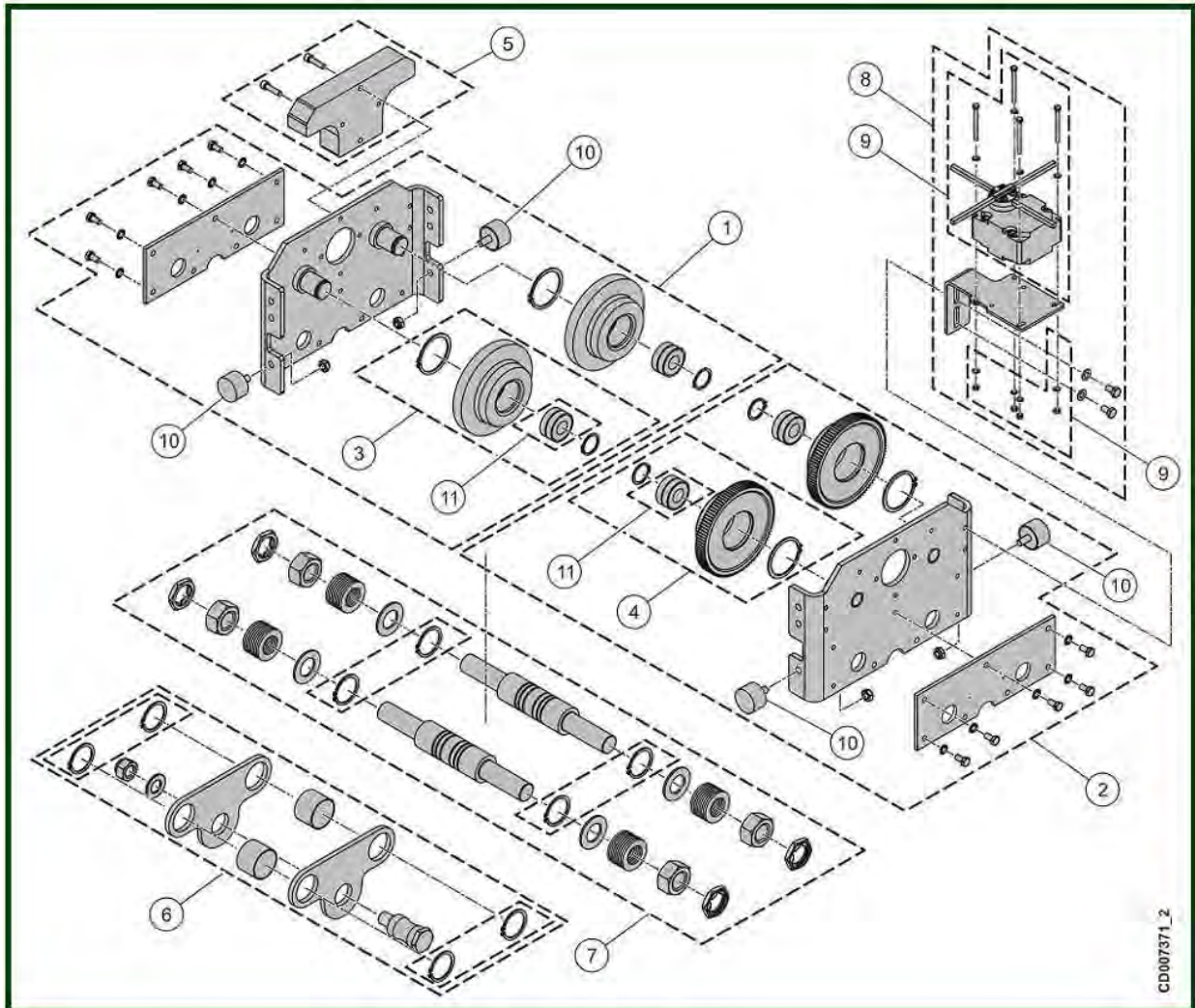
C2 trolley - 1001 à 2000 kg - Coupled version

Only for voltage greater than 480V

Item	Reference	Description	Observation	Quantity
1	<u>VT0007067</u>	Idler side plate assembly		1
2	<u>VT0007068</u>	Drive side plate assembly		1
3	<u>VT0007069</u>	Complete set of travel wheel without shaft	∅ 80x120 mm	1
4	<u>VT0008778</u>	Set of driving wheel without shaft	∅ 80x120 mm	1
5	<u>VT0008780</u>	Set of counterweight		1
6	<u>VT0007085</u>	Coupling part	Coupled version	1
7	<u>VT0007036</u>	Tie rod set beam - 64 to 126 mm	Monobloc tie rod since 1999	1
7	<u>VT0007037</u>	Tie rod set beam - 131 to 190 mm	Monobloc tie rod since 1999	1
7	<u>VT0007038</u>	Tie rod set beam - 198 to 248 mm	Monobloc tie rod since 1999	1
7	<u>VT0007039</u>	Tie rod set beam - 260 to 310 mm	Monobloc tie rod since 1999	1
8	<u>VT0007098</u>	Limit switch - 1 step		1
8	<u>VT0008775</u>	Limit switch - 2 steps		1
9	<u>VT0008776</u>	Travelling limit switch assembly - 1 step		1
9	<u>VT0008777</u>	Travelling limit switch assembly - 2 steps		1
10	<u>VT0007088</u>	Buffer	40X 20 M10	1
11	<u>VT0008781</u>	Ball bearing	C2	1

7.5. C3 trolley - 2001 to 3200 kg - Hanging version

NHT



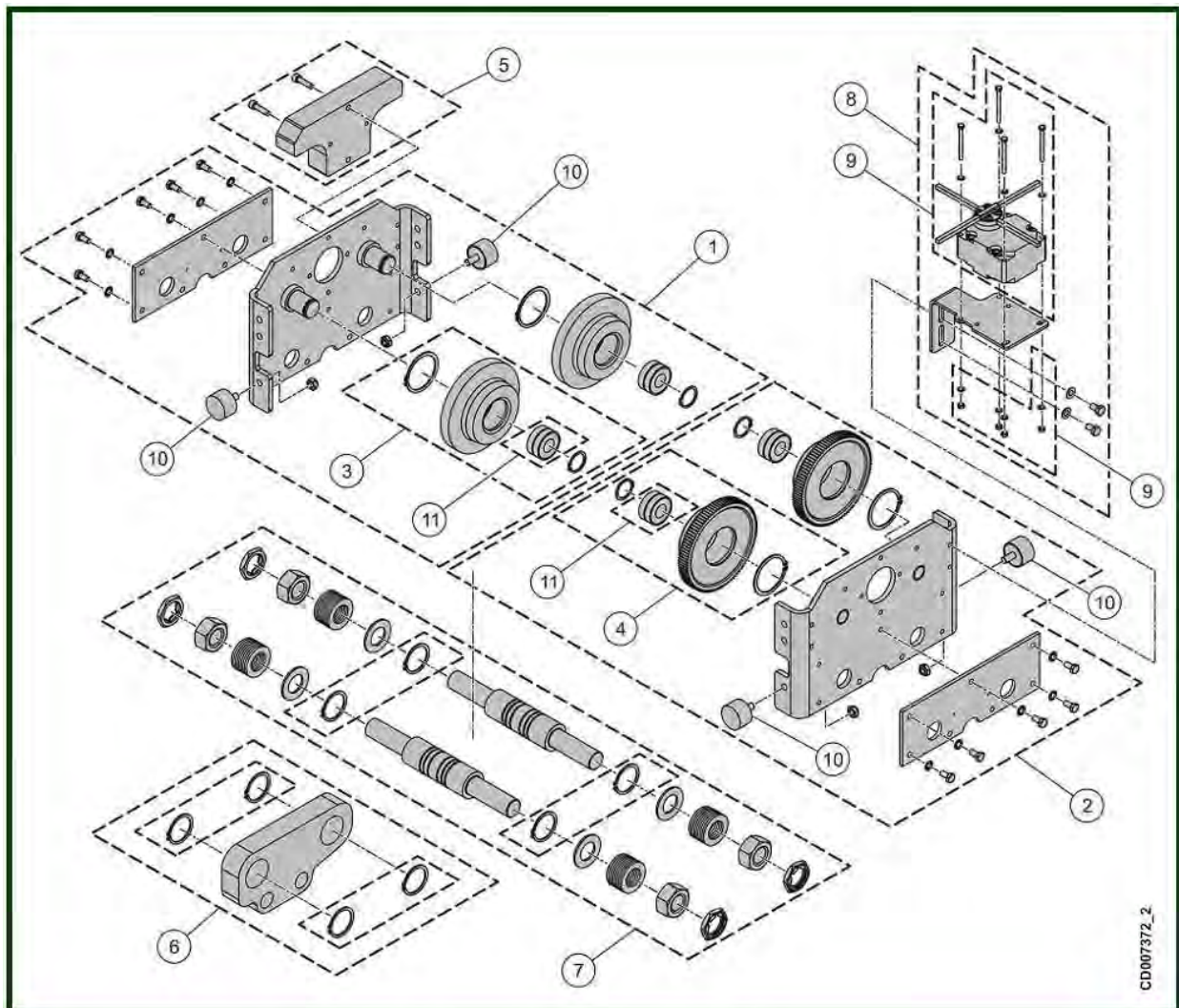
C3 trolley- 2001 à 3200 kg - Hanging version

NHT

Item	Reference	Description	Observation	Quantity
1	<u>VT0007092</u>	Idler side plate assembly		1
2	<u>VT0007093</u>	Drive side plate assembly		1
3	<u>VT0008782</u>	Complete set of travel wheel without shaft		1
4	<u>VT0008783</u>	Set of driving wheel without shaft		1
5	<u>VT0008837</u>	Set of counterweight		1
6	<u>VT0007094</u>	Joint part	Hanging version	1
7	<u>VT0007040</u>	Tie rod set beam - 82 to 137 mm	Monobloc tie road since 1999	1
7	<u>VT0007041</u>	Tie rod set beam - 140 to 190 mm	Monobloc tie road since 1999	1
7	<u>VT0007042</u>	Tie rod set beam - 198 to 248 mm	Monobloc tie road since 1999	1
7	<u>VT0007043</u>	Tie rod set beam - 260 to 310 mm	Monobloc tie road since 1999	1
7	<u>VT0008785</u>	Tie rod set beam - 311 to 350 mm	Monobloc tie road since 1999	1
8	<u>VT0007098</u>	Limit switch - 1 step		1
8	<u>VT0008775</u>	Limit switch - 2 steps		1
9	<u>VT0008776</u>	Travelling limit switch assembly - 1 step		1
9	<u>VT0008777</u>	Travelling limit switch assembly - 2 steps		1
10	<u>VT0007088</u>	Buffer	40X 20 M10	1
11	<u>VT0008786</u>	Ball bearing	C3	1

7.6. C3 trolley - 2001 to 3200 kg - Coupled version

NHT

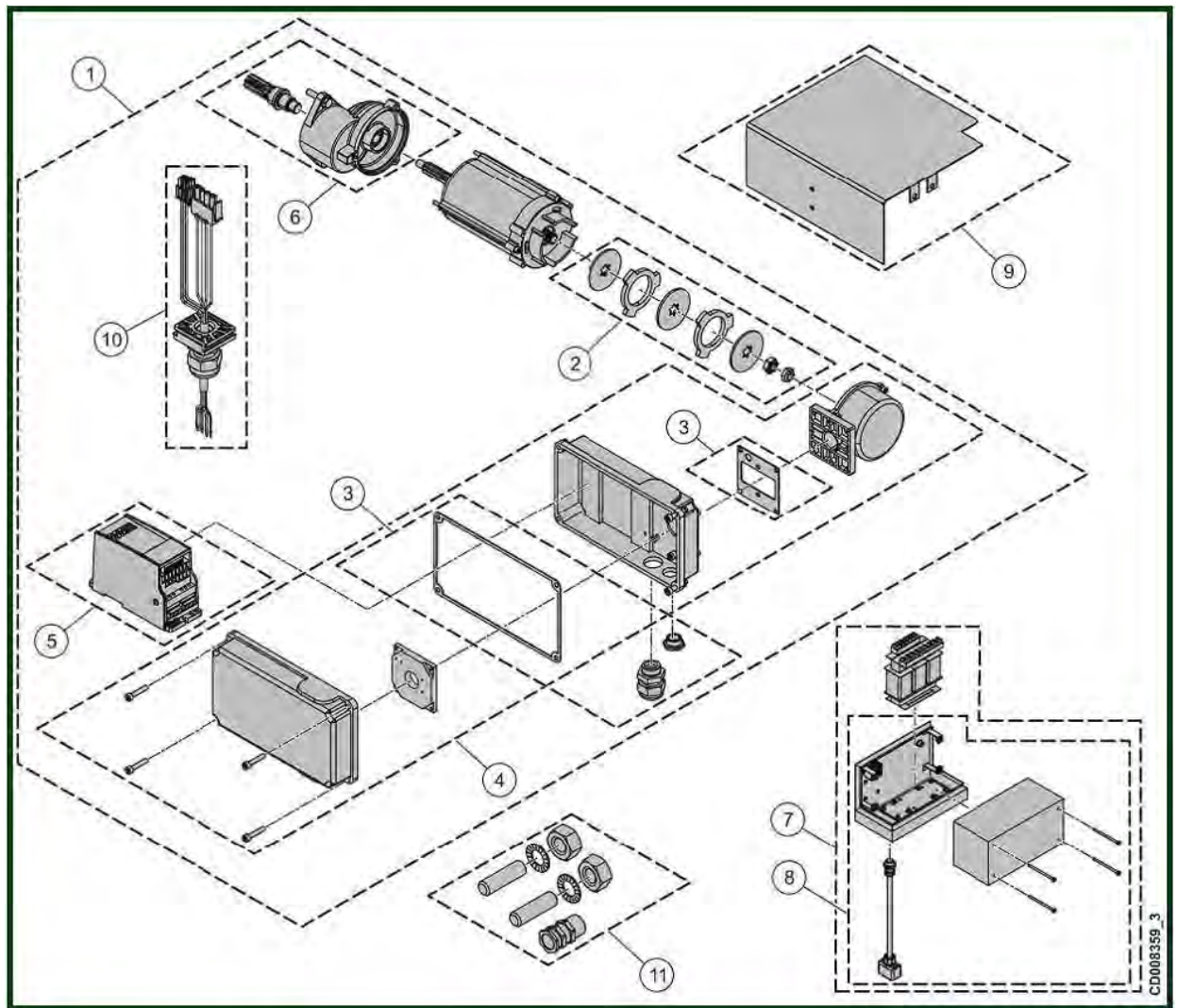


C3 trolley- 2001 to 3200 kg - Coupled version

NHT

Item	Reference	Description	Observation	Quantity
1	<u>VT0007092</u>	Idler side plate assembly		1
2	<u>VT0007093</u>	Drive side plate assembly		1
3	<u>VT0008782</u>	Complete set of travel wheel without shaft		1
4	<u>VT0008783</u>	Set of driving wheel without shaft		1
5	<u>VT0008837</u>	Set of counterweight		1
6	<u>VT0007714</u>	Joint part		1
7	<u>VT0007040</u>	Tie rod set beam - 82 à 137 mm	Monobloc tie road since 1999	1
7	<u>VT0007041</u>	Tie rod set beam - 140 à 190 mm	Monobloc tie road since 1999	1
7	<u>VT0007042</u>	Tie rod set beam - 198 à 248 mm	Monobloc tie road since 1999	1
7	<u>VT0007043</u>	Tie rod set beam - 260 à 310 mm	Monobloc tie road since 1999	1
7	<u>VT0008785</u>	Tie rod set beam - 311 à 350 mm	Monobloc tie road since 1999	1
8	<u>VT0007098</u>	Limit switch - 1 step		1
8	<u>VT0008775</u>	Limit switch - 2 steps		1
9	<u>VT0008776</u>	Travelling limit switch assembly - 1 step		1
9	<u>VT0008777</u>	Travelling limit switch assembly - 2 steps		1
10	<u>VT0007088</u>	Buffer	40X 20 M10	1
11	<u>VT0008786</u>	Ball bearing		1

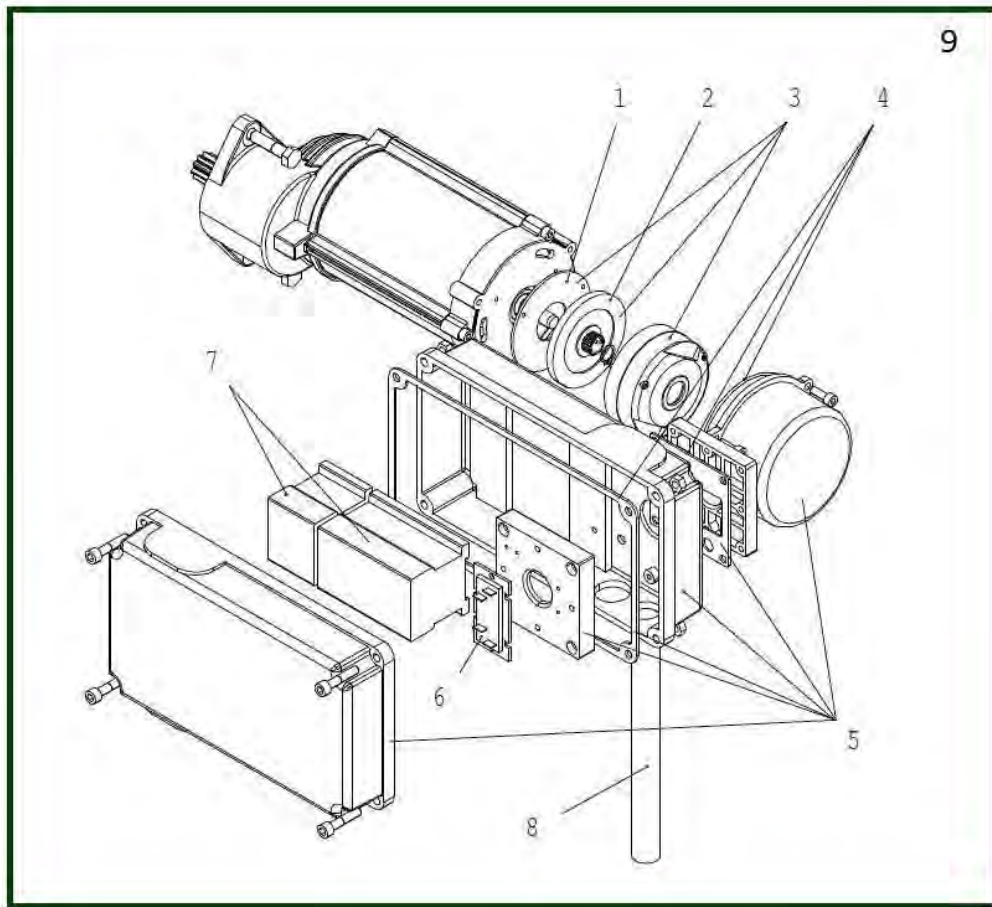
7.7. Inverter TMU motor



Inverter TMU motor

Item	Reference	Description	Observation	Quantity
1	<u>52890308</u>	Travelling machinery - TMU1	42-230V < 1000 Kg	1
1	<u>52890306</u>	Travelling machinery - TMU2	42-230V > 1000 Kg to 2000 kg	1
2	<u>52296293</u>	Brake repair set	M06-001V	1
3	<u>52300292</u>	Sealing set	M06-008V	1
4	<u>52907130</u>	Housing set (without vario)	M06-022V	1
5	<u>52387783</u>	Inverter VT003 TMK003.380 460V/ ctrl 42 230V	Since january 2015 for motor already equipped of this inverter	1
6	<u>52297191</u>	Reducer	GEL105PT1B0	1
7	<u>52303806</u>	Control panel	T50E-TE07	1
8	<u>53050878</u>	Housing set	UKTM/ALTM-NEW	1
9	<u>52305058</u>	Rain cover	All models from C1 to C5	1
10	<u>53110165</u>	Connection cable	TMU1&2	1
11	<u>52908158</u>	Kit fixation		1

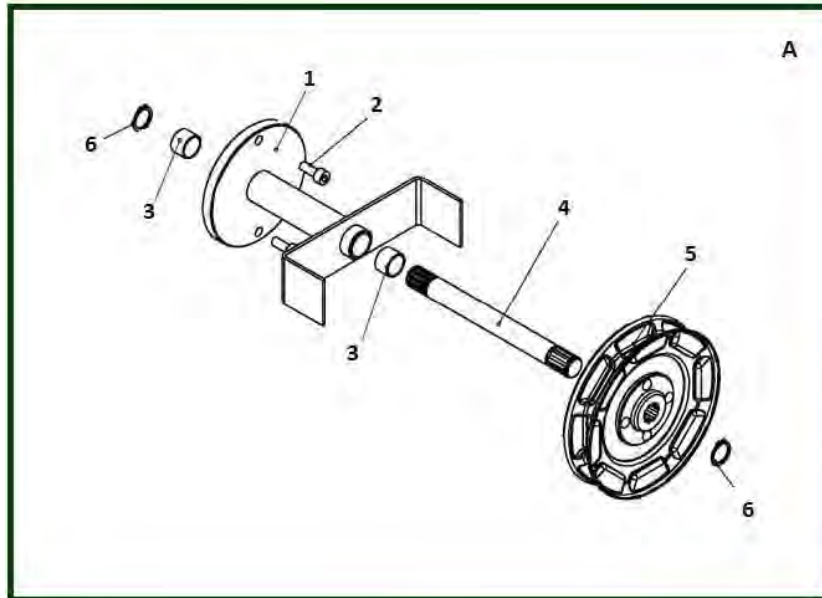
7.8. Two speeds TMU motor



Two speeds TMU motor

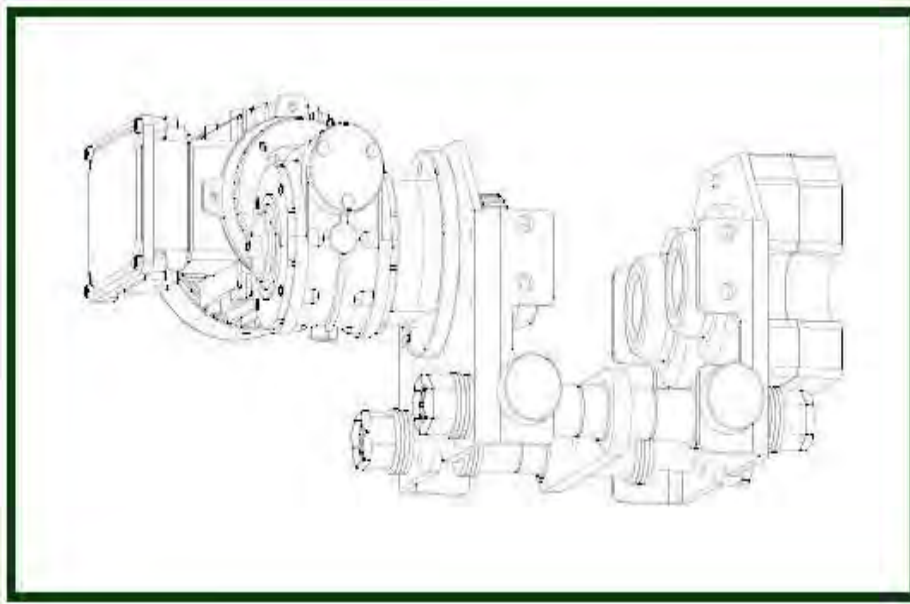
Item	Reference	Description	Observation	Quantity
1	52269590	Friction plate		1
2	52269587	Brake disc		1
3	52318378	Brake disc 180V	MF06MA104	1
3	52318416	Brake disc 240V	MF06MA104	1
3	52318424	Brake disc 290V	MF06MA104	1
4	52300292	Sealing set	M06-008V	1
5	52300291	Terminal box	M06-007V	1
6	15823007	Rectifier	Motor 220V	1
6	15823006	Rectifier	Motor 380 à 550V	1
7	1123052	Reversing contactor	110V	1
7	1113097	Reversing contactor	230V	1
7	1113023	Reversing contactor 400V/48V	LC2ECO9E (7531023V) Hoisting cross travelling	1
7	1113098	Main contactor KAU	230 V 50/60 Hz	1
7	1113021	Reversing contactor	48V	1
7	1123050	Reversing contactor	110V	1
8	53243829	Connection cable	TMU 1&2	1
9	52782175	Two speeds TMU motor	230V/48V 50 Hz	1
9	52782173	Two speeds TMU motor	230V/115V 60 Hz - Standard	1
9	52782176	Two speeds TMU motor	400V/48V 50 Hz	1
9	52782171	Two speeds TMU motor	460V/115V 60 Hz - Standard	1
9	52782177	Two speeds TMU motor	500V/48V 50 Hz	1
9	52782172	Two speeds TMU motor	575V/115V 60 Hz - Standard	1
-	52305058	Rain cover	All models C1 to C5	1

7.9. Chain travel



Item	Reference	Description	Observations	Quantity
1	52306328	Support		1
2	830905	CHC Screw 8X20	DIN7500-E	1
3	993275	Bearing		1
4	52306329	CHM shaft		1
5	400953	Travelling hand wheel - Ø 165 mm	3,2T	1
6	400052	Circlips 20r		1
	53020194	Hand chain 5x27.1	9,8 meters	1
	820003	Galvanized hand chain 5x27.1		1
A	52306332	Chain operated manual travelling	For C1 to C5	1

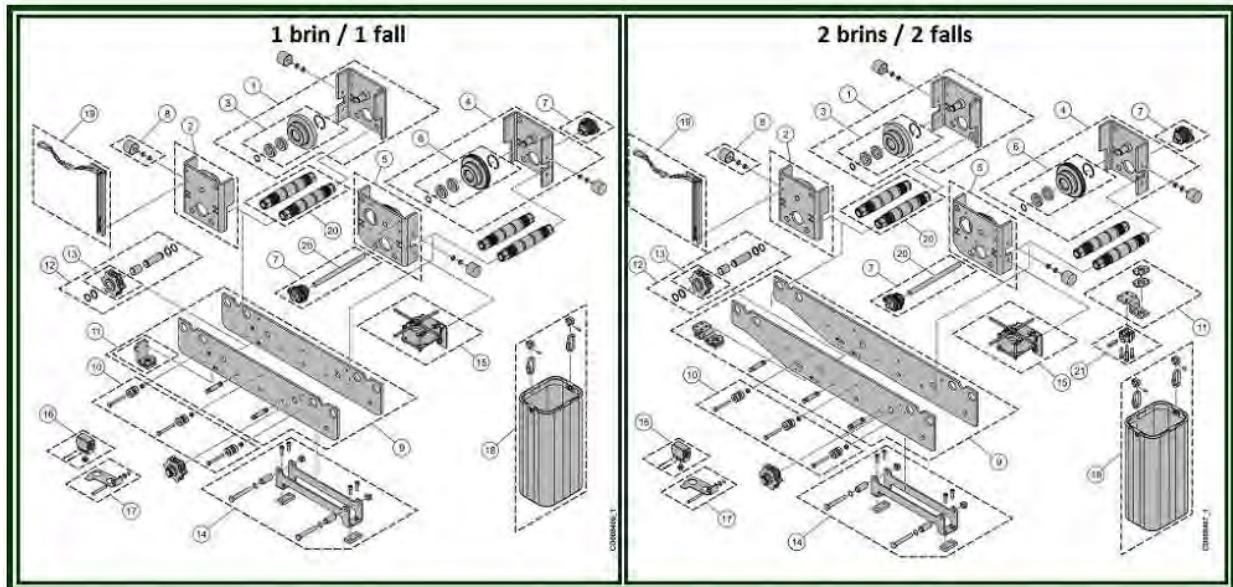
7.10. Right motor angle



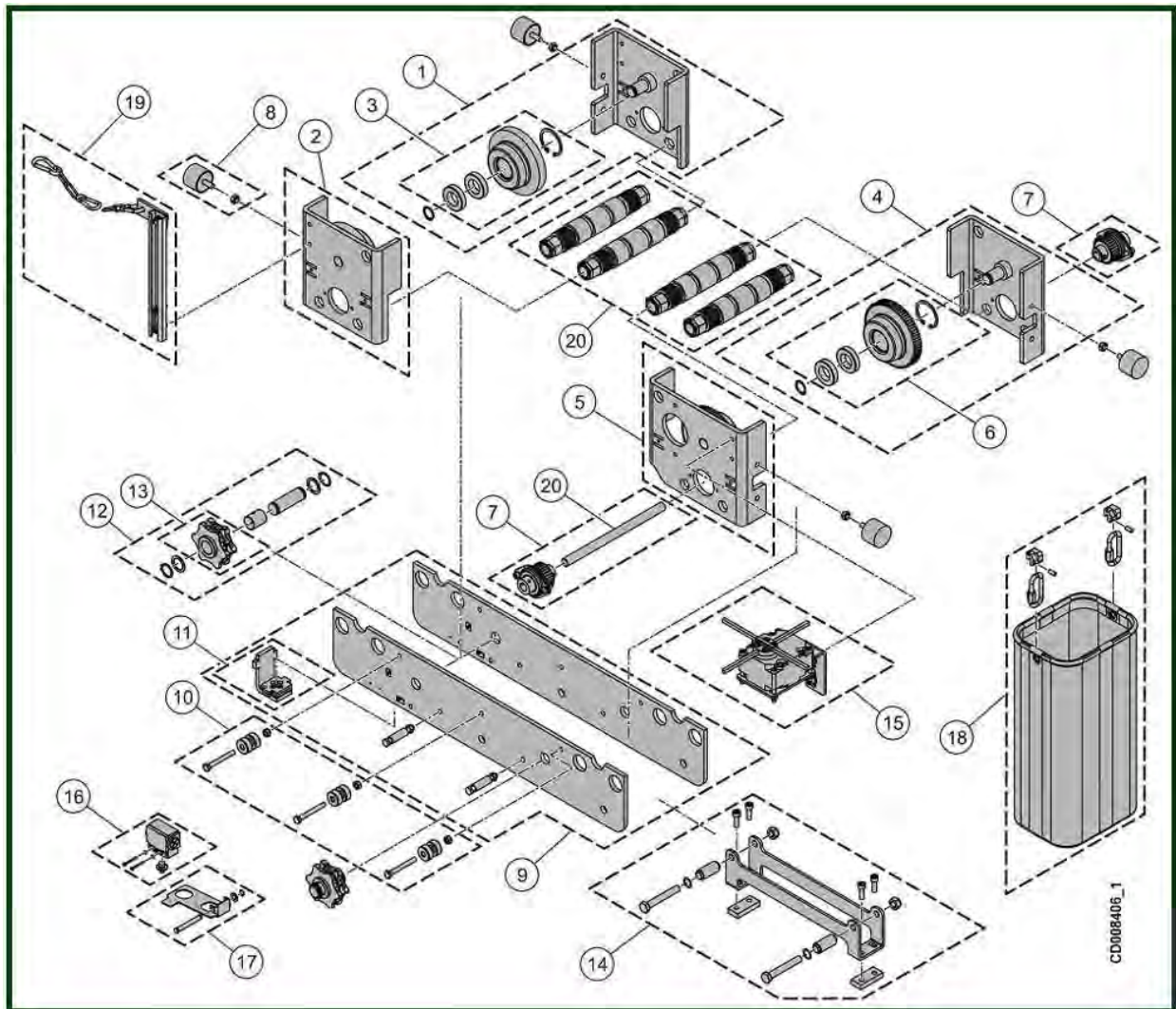
Item	Reference	Description	Observation	Quantity
	<u>551037</u>	Cubicle + Mac 2 pcb		1
	<u>2216904</u>	GMR adaptation set for right angle motor	Pinion, flange, screws	1
	<u>556972</u>	Right angle travelling machinery	Speed 10 & 2.5m/min For C1-C2-C3	1
	<u>2133033</u>	Electrical board direction	2CS MAC	1

8. LOW HEADROOM TROLLEY

LHT



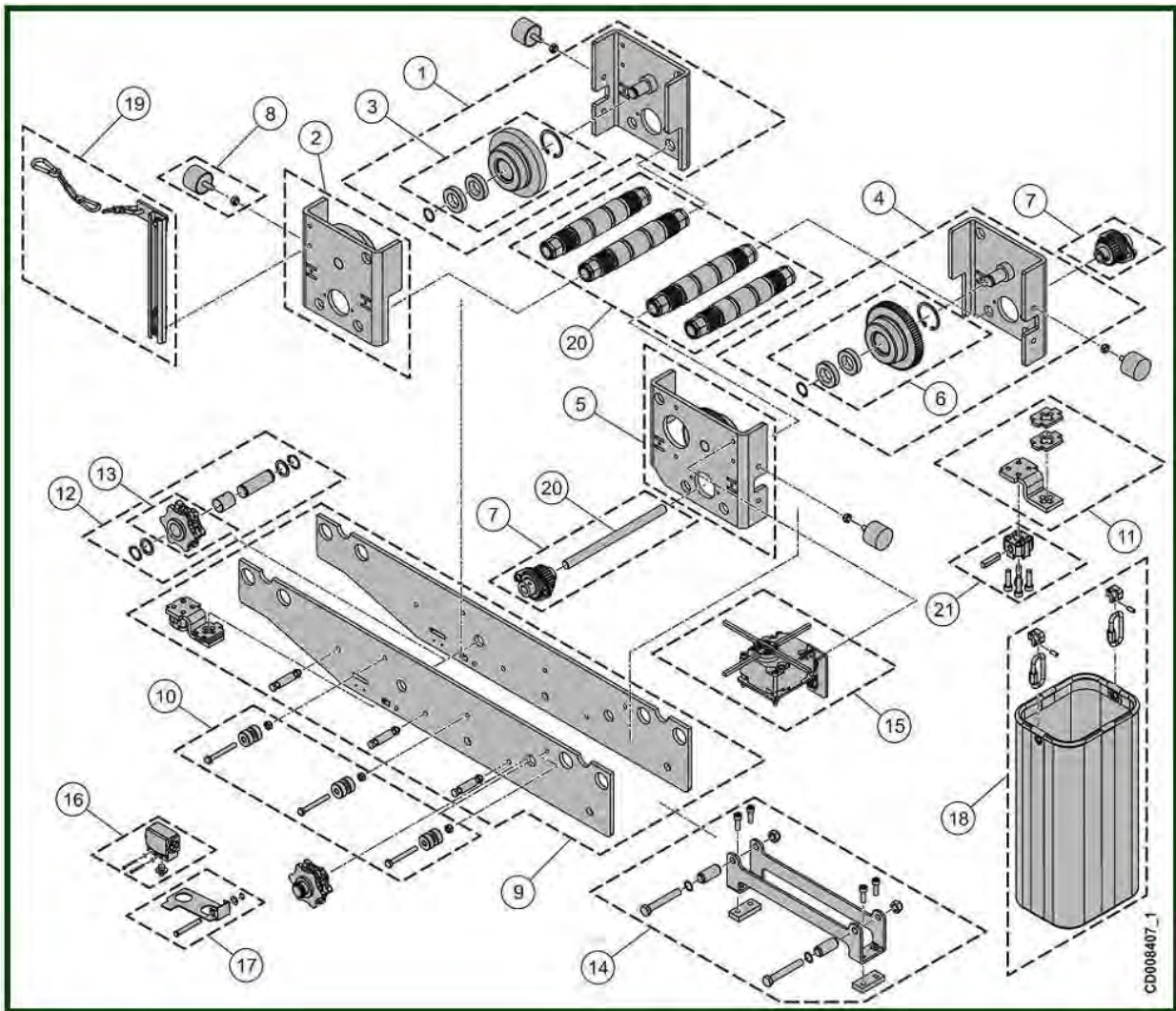
8.1. LHT - 1 fall



LHT - 1 fall

Item	Reference	Description	Observation	Quantity
1	<u>VT0008742</u>	Idle flange		1
2	<u>VT0008743</u>	Idle flange	Motor side	1
3	<u>VT0008961</u>	Travel wheel idle without shaft		2
4	<u>VT0008745</u>	Motor flange	Motor side	1
5	<u>VT0008746</u>	Motor flange	Motor side	1
6	<u>VT0008963</u>	Travel wheel without shaft		2
7	<u>VT0008748</u>	Gear wheel set - 66 to 112	L232	1
7	<u>VT0008947</u>	Gear wheel set - 113 to 154	L274	1
7	<u>VT0008948</u>	Gear wheel set - 155 to 199	L315	1
7	<u>VT0008949</u>	Gear wheel set - 200 to 259	L362	1
7	<u>VT0008950</u>	Gear wheel set - 260 to 300	L422	1
8	<u>VT0008749</u>	Buffer	D40 L50	1
9	<u>VT0008896</u>	Plate set	LHT - 1 fall	1
10	<u>VT0008897</u>	Diabolo set	LHT - 1 fall	1
11	<u>VT0008968</u>	Chain guide set	7x20 - 1 fall	1
12	<u>VT0008970</u>	Chain guide	7x20 - D84.7 L69	2
13	<u>VT0008825</u>	Sprocket	D84.7 L36,5	1
14	<u>VT0009871</u>	Suspension	LHT	1
15	<u>VT0008756</u>	Limit switch	1 step	1
16	<u>VT0008892</u>	Limit switch assembly	LHT	1
17	<u>VT0009074</u>	Limit switch activator		1
18	<u>VT0008760</u>	Chain bucket	30 m for 7x20	1
19	<u>VT0008761</u>	Towing arm	L250	1
19	<u>VT0008762</u>	Towing arm	L450	1
20	<u>VT0008956</u>	Shaft set - 66 to 112	L232	1
20	<u>VT0008957</u>	Shaft set - 113 to 154	L274	1
20	<u>VT0008958</u>	Shaft set - 155 to 199	L315	1
20	<u>VT0008959</u>	Shaft set - 200 to 259	L362	1
20	<u>VT0008960</u>	Shaft set - 260 to 300	L422	1

8.2. LHT - 2 falls



LHT - 2 falls

Item	Reference	Description	Observation	Quantity
1	VT0008742	Idle flange		1
2	VT0008743	Idle flange	Motor side	1
3	VT0008961	Travel wheel idle without shaft		2
4	VT0008745	Motor flange	Motor side	1
5	VT0008746	Motor flange	Motor side	1
6	VT0008963	Travel wheel without shaft		2
7	VT0008748	Gear wheel set - 66 to 112	L232	1
7	VT0008947	Gear wheel set - 113 to 154	L274	1
7	VT0008948	Gear wheel set - 155 to 199	L315	1
7	VT0008949	Gear wheel set - 200 to 259	L362	1
7	VT0008950	Gear wheel set - 260 to 300	L422	1
8	VT0008749	Buffer	D40 L50	1
9	VT0008967	Plate set		1
10	VT0008898	Diabolo set		1
11	VT0008969	Chain guide set		1
12	VT0008970	Chain guide	7x20 - D84.7 L69	2
13	VT0008825	Sprocket	D84.7 L36,5	1
14	VT0009871	Suspension		1
15	VT0008756	Limit switch	1 step	1
16	VT0008892	Limit switch assembly		1
17	VT0009074	Limit switch activator		1
18	VT0008760	Chain bucket	30 m for 7x20	1
19	VT0008761	Towing arm	L250	1
19	VT0008762	Towing arm	L450	1
20	VT0008956	Shaft set - 66 to 112	L232	1
20	VT0008957	Shaft set - 113 to 154	L274	1
20	VT0008958	Shaft set - 155 to 199	L315	1
20	VT0008959	Shaft set - 200 to 259	L362	1
20	VT0008960	Shaft set - 260 to 300	L422	1
21	VT0005885	Fixing set	7x20	1