

## Spare parts catalog for "VR02 – Phase 1"

To avoid errors, when ordering please specify:

Complete type of hoist

Date of manufacture and serial number

Spare part code

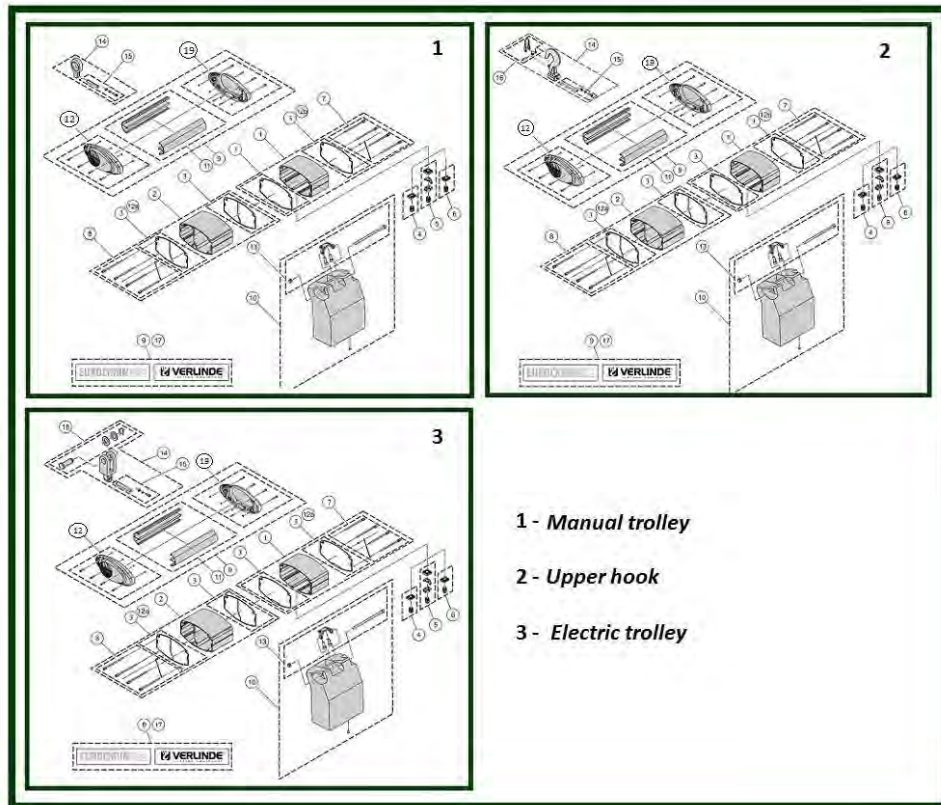
Spare part designation

Additional information

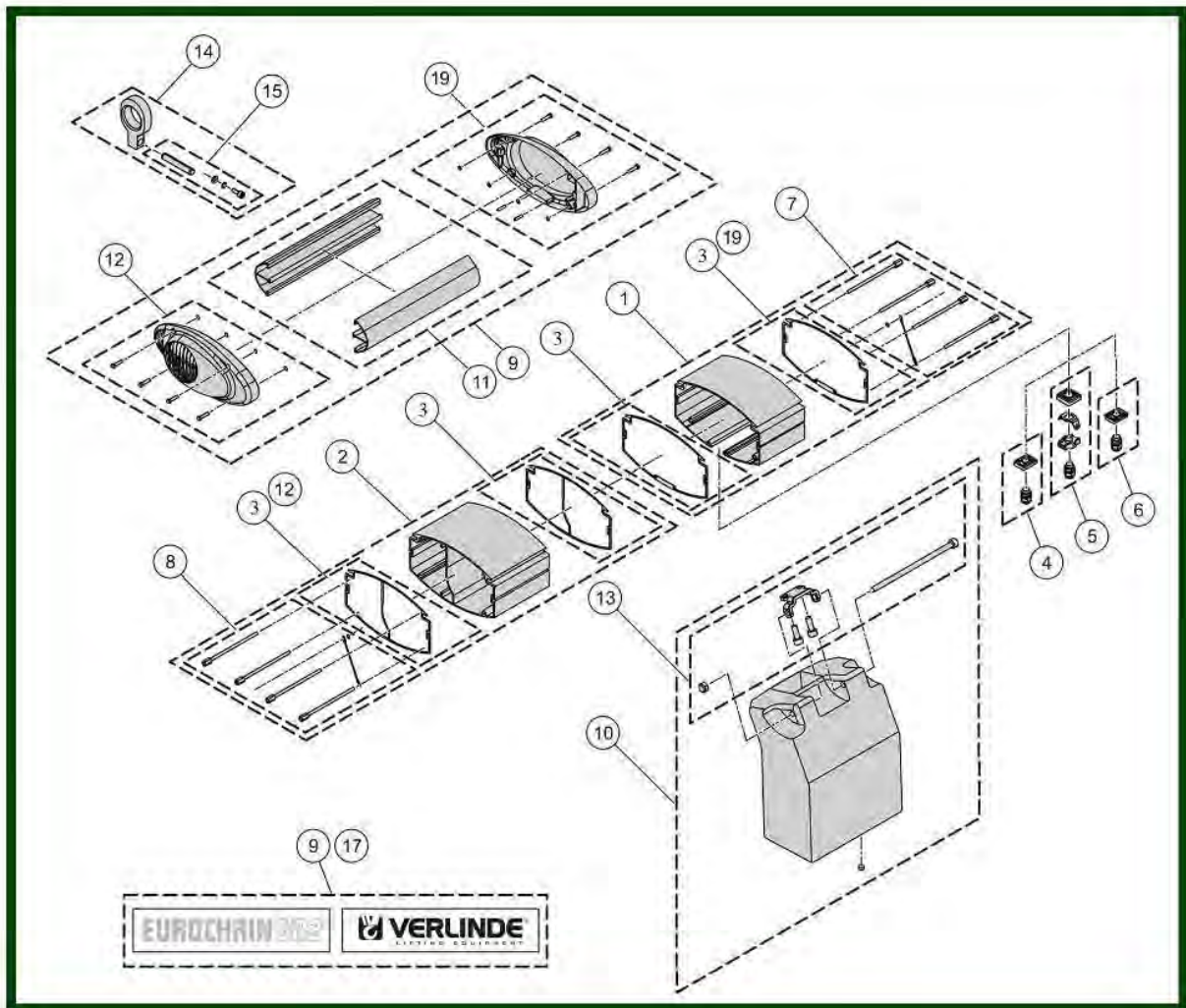


<b>1. FRAME.....</b>	<b>3</b>
1.1. Manual trolley.....	4
1.2. Upper hook .....	6
1.3. Electric trolley .....	8
<b>2. CHAIN GUIDE.....</b>	<b>10</b>
2.1. Digichain .....	12
2.2. Precut chain .....	15
<b>3. GEAR .....</b>	<b>16</b>
3.1. Single brake – Standard limit switch.....	17
3.2. Double brakes - Standard limit switch.....	19
<b>4. MOTOR .....</b>	<b>21</b>
4.1. Single brake .....	22
4.2. Double brakes .....	24
<b>5. ELECTRICAL PARTS .....</b>	<b>26</b>
5.1. Solo Equipment– Standard.....	27
5.2. Equipment for Eurosystem - Steel - Alu. & PRV .....	30
5.3. Equipment for crane kit - For UT+GTR+GTN .....	33
5.4 Without electric component.....	35
5.5. Direct voltage – ACF .....	36
5.6. Solo hoist – Harding wiring .....	37
<b>6. PUSH BUTTON CONTROLLER.....</b>	<b>38</b>
6.1. 2 buttons .....	39
6.2. 4 buttons .....	41
6.3. 6 buttons .....	43
6.4. Push button controller - From september 2014.....	44
<b>7. TROLLEY – NORMAL HEADROOM TROLLEY .....</b>	<b>47</b>
7.1. C1 Trolley - 0 to 1000 kg – Hanging version .....	48
7.2. C1 Trolley – 0 to 1000 Kg – Coupled version.....	50
7.3. Inverter TMU motor VR hoist.....	52
7.4. Two speeds TMU motor for VR hoist.....	53
7.5. Chain travel .....	55
7.6. Right angle motor .....	56
<b>8. LOW HEADROOM TROLLEY .....</b>	<b>57</b>
<b>9. CHD MANUAL TROLLEY .....</b>	<b>59</b>

# 1. FRAME



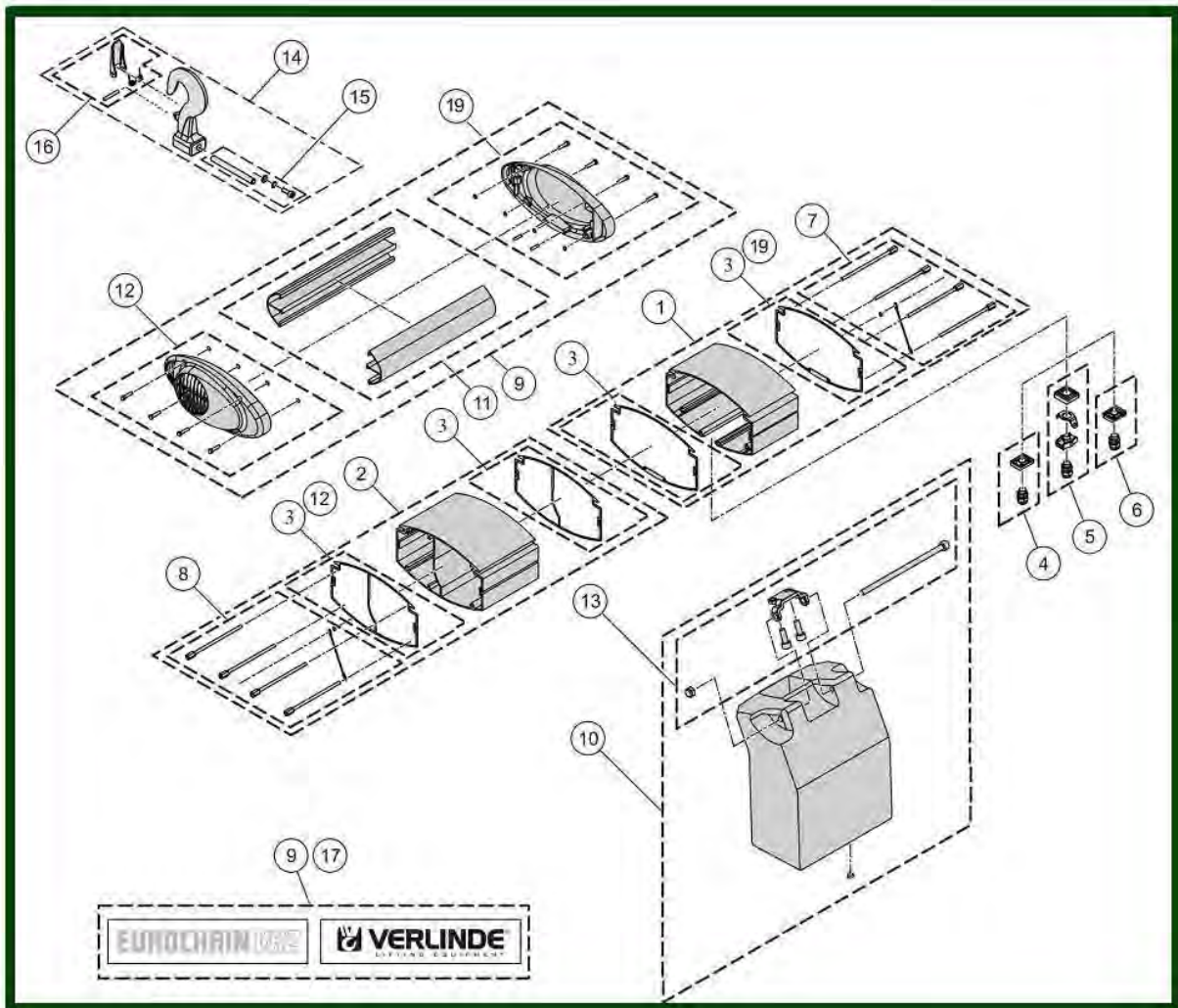
## 1.1. Manual trolley



## Manual trolley

Item	Reference	Description	Observation	Quantity
1	<u>VT0004898</u>	Frame - Brake side	Single brake	1
2	<u>VT0004868</u>	Frame - Motor side	Single brake	1
3	<u>VT0004542</u>	Sealings set		1
4	<u>VT0006454</u>	Square cable entry	12G1.5/4G2.5/4G 6mm2 - ISO 25	1
4	<u>VT0006393</u>	Cable gland set Square cable entry	CG M20- ISO 20 Trolley – Power supply	1
4	<u>VT0005089</u>	Cable gland set Rectangular entry	Power supply - Only VR2 ISO 20	1
5	<u>VT0005090</u>	Cable gland set Square cable entry	Push button controller From september 2014	1
6	<u>VT0005091</u>	End cap Rectangular entry	Power supply - Only VR2	1
6	<u>VT0006089</u>	Bouchon Square cable entry		1
7	<u>VT0006278</u>	Screws set M6L127 - Brake side	Single brake + Gear limit switch 2 comes	1
8	<u>VT0006279</u>	Screws set M6L155 - Motor side	Single brake	1
9	<u>VT0006276</u>	Capot	Single brake	1
10	<u>VT0004544</u>	Chain bucket	6 m	1
10	<u>VT0006284</u>	Chain bucket	16 m	1
10	<u>VT0006667</u>	Chain bucket	35 m	1
11	<u>VT0004545</u>	Cover set	Single brake	1
12	<u>VT0006282</u>	Cover set - Motor side		1
13	<u>VT0004547</u>	Fixing set of Chain bucket	6 m + 16 m + 35 m	1
14	<u>VT0009132</u>	Suspension eye Parallel	Manual trolley	1
14	<u>VT0004803</u>	Suspension eye Perpendicular	Manual trolley	1
15	<u>VT0004539</u>	Shaft set		1
17	<u>VT0006275</u>	Set of 10 stickers - Brand	Single brake	1
19	<u>VT0006283</u>	Cover set - Brake side		1
20	<u>VT0006451</u>	Set of 10 load plates	63 Kg	1
20	<u>VT0006241</u>	Set of 10 load plates	125 Kg	1
20	<u>VT0006450</u>	Set of 10 load plates	160 Kg	1
20	<u>VT0006091</u>	Set of 10 load plates	250 Kg	1
20	<u>VT0006449</u>	Set of 10 load plates	320 Kg	1
21	<u>VT0006026</u>	Identification plate	Serial number request	1

## 1.2. Upper hook

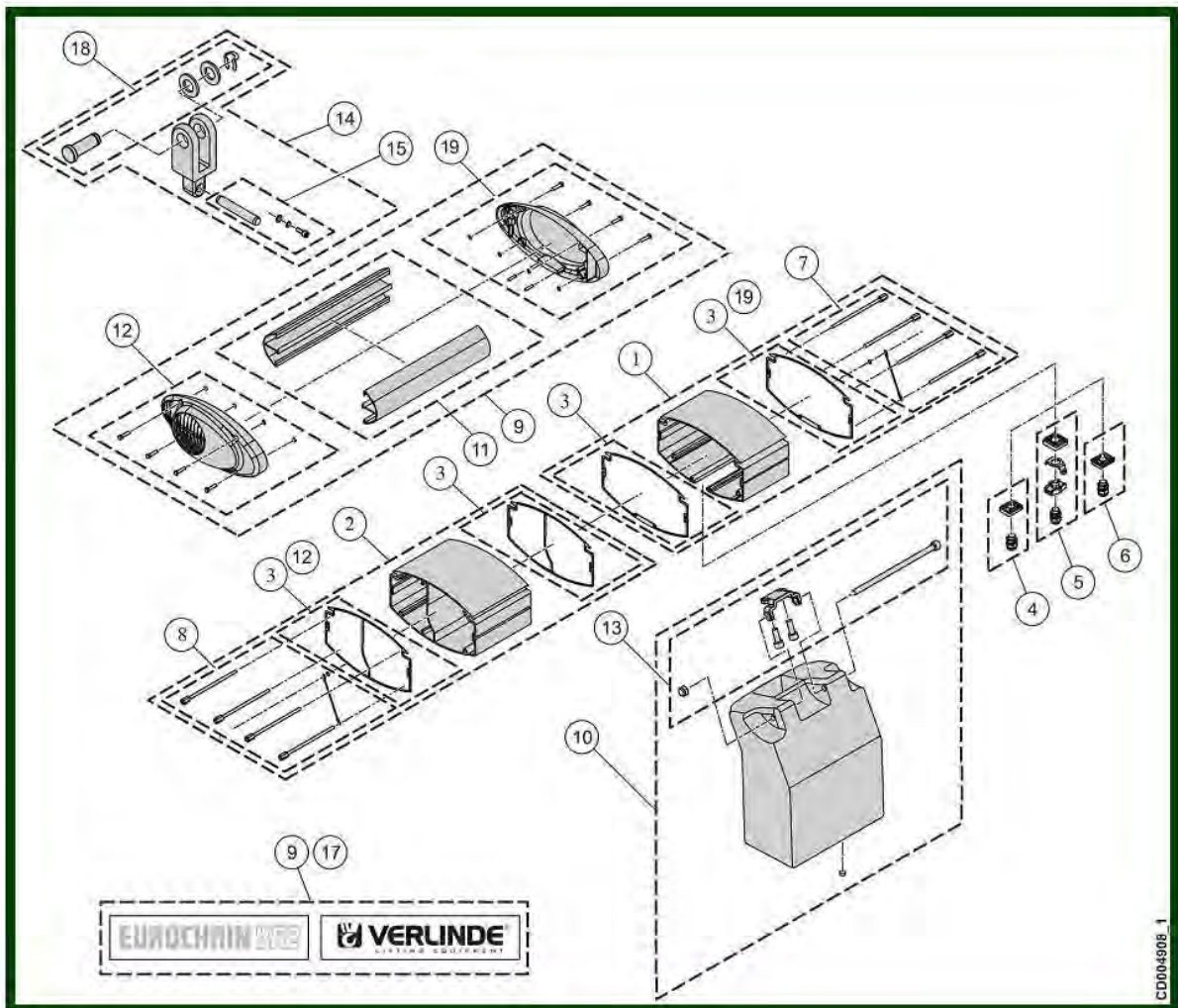


## Upper hook

Item	Reference	Description	Observation	Quantity
1	<u>VT0004898</u>	Frame - Brake side	Single brake	1
2	<u>VT0004868</u>	Frame - Motor side	Single brake	1
3	<u>VT0004542</u>	Sealings set		1
4	<u>VT0006454</u>	Cable gland set flat cable Square cable entry	12G1.5/4G2.5/4G6mm2 - ISO 25	1
4	<u>VT0006393</u>	Cable gland set Square cable entry	CG M20- ISO 20 Trolley - Power supply	1
4	<u>VT0005089</u>	Cable gland set Rectangular entry	Power supply - Only VR2 ISO 20	1
5	<u>VT0005090</u>	Cable gland set Square cable entry	Push button controller From september 2014	1
6	<u>VT0005091</u>	Bouchon Rectangular entry	Power supply - Only VR2	1
6	<u>VT0006089</u>	Bouchon Square cable entry		1
7	<u>VT0006278</u>	Screws set M6L127 - Brake side	Single brake + Gear limit switch 2 comes	1
8	<u>VT0006279</u>	Screws set M6L155 - Motor side	Single brake	1
9	<u>VT0006276</u>	Capot	Single brake	1
10	<u>VT0004544</u>	Chain bucket	6 m	1
10	<u>VT0006284</u>	Chain bucket	16 m	1
10	<u>VT0006667</u>	Chain bucket	35 m	1
11	<u>VT0004545</u>	Cover set	Single brake	1
12	<u>VT0006282</u>	Cover set - Motor side		1
13	<u>VT0004547</u>	Fixing set of Chain bucket	6 m + 16 m + 35 m	1
14	<u>VT0004925</u>	Crochet fixe		1
15	<u>VT0004539</u>	Shaft set		1
16	<u>VT0004905</u>	Safety latch set		1
17	<u>VT0006275</u>	10 stickers set - Brand	Single brake	1
19	<u>VT0006283</u>	Cover set - Brake side		1
20	<u>VT0006451</u>	Set of 10 load plates	63 Kg	1
20	<u>VT0006241</u>	Set of 10 load plates	125 Kg	1
20	<u>VT0006450</u>	Set of 10 load plates	160 Kg	1
20	<u>VT0006091</u>	Set of 10 load plates	250 Kg	1
20	<u>VT0006449</u>	Set of 10 load plates	320 Kg	1
21	<u>VT0006026</u>	Identification plate	Serial number request	1
-	<u>VT0006759</u>	Parallel hook		1

### 1.3. Electric trolley

0 to 1000 kg

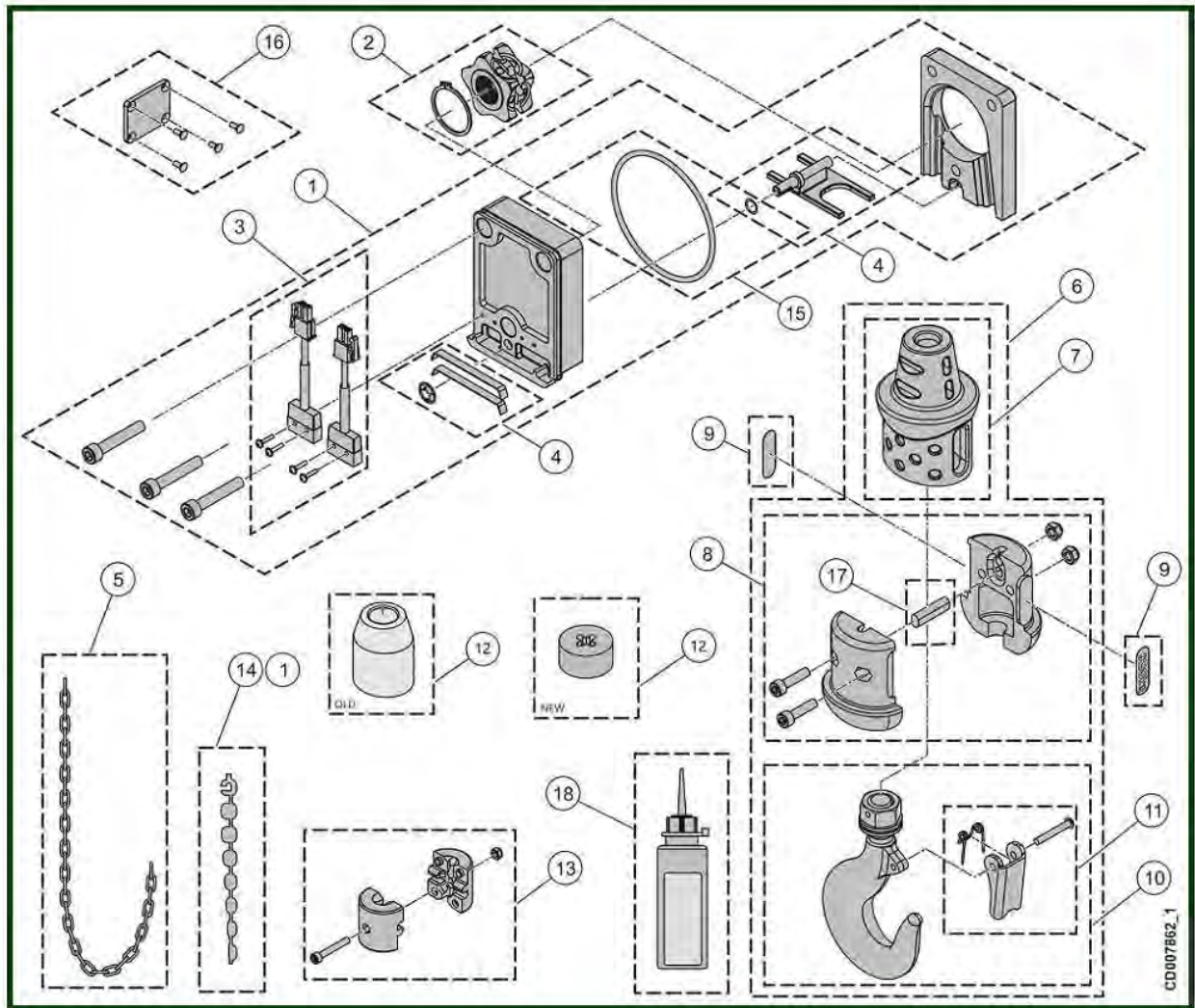




## Electric trolley

Item	Reference	Description	Observation	Quantity
1	<u>VT0004898</u>	Frame - Brake side	Single brake	1
2	<u>VT0004868</u>	Frame - Motor side	Single brake	1
3	<u>VT0004542</u>	Sealings set		1
4	<u>VT0006454</u>	Cable gland set flat cable - Square cable entry	12G1.5/4G2.5/4G6mm2 - ISO 25	1
4	<u>VT0006393</u>	Cable gland set Square cable entry	CG M20- ISO 20 Trolley-Alimentation	1
4	<u>VT0005089</u>	Cable gland set Rectangular entry	Power supply - Only VR2 ISO 20	1
5	<u>VT0005090</u>	Cable gland set Square cable entry	Push button controller From september 2014	1
6	<u>VT0005091</u>	Bouchon Rectangular entry	Power supply - Only VR2	1
6	<u>VT0006089</u>	Bouchon Square cable entry		1
7	<u>VT0006278</u>	Screws set M6L127 - Brake side	Single brake + Gear limit switch 2 comes	1
8	<u>VT0006279</u>	Screws set M6L155 - Motor side	Single brake	1
9	<u>VT0006276</u>	Capot	Single brake	1
10	<u>VT0004544</u>	Chain bucket	6 m	1
10	<u>VT0006284</u>	Chain bucket	16 m	1
10	<u>VT0006667</u>	Chain bucket	35 m	1
11	<u>VT0004545</u>	Cover set	Single brake	1
12	<u>VT0006282</u>	Cover set - Motor side		1
13	<u>VT0004547</u>	Fixing set de Chain bucket	6 m + 16 m + 35 m	1
14	<u>VT0005309</u>	Coupling part Electric trolley	0 to 1000 Kg	1
15	<u>VT0004539</u>	Shaft set		1
17	<u>VT0006275</u>	Set of 10 stickers - Marque	Single brake	1
18	<u>VT0006281</u>	Shaft set - Electric trolley		1
19	<u>VT0006283</u>	Cover set - Brake side		1
20	<u>VT0006451</u>	Set of 10 load plates	63 Kg	1
20	<u>VT0006241</u>	Set of 10 load plates	125 Kg	1
20	<u>VT0006450</u>	Set of 10 load plates	160 Kg	1
20	<u>VT0006091</u>	Set of 10 load plates	250 Kg	1
20	<u>VT0006449</u>	Set of 10 load plates	320 Kg	1
21	<u>VT0006026</u>	Identification plate	Serial number request	1

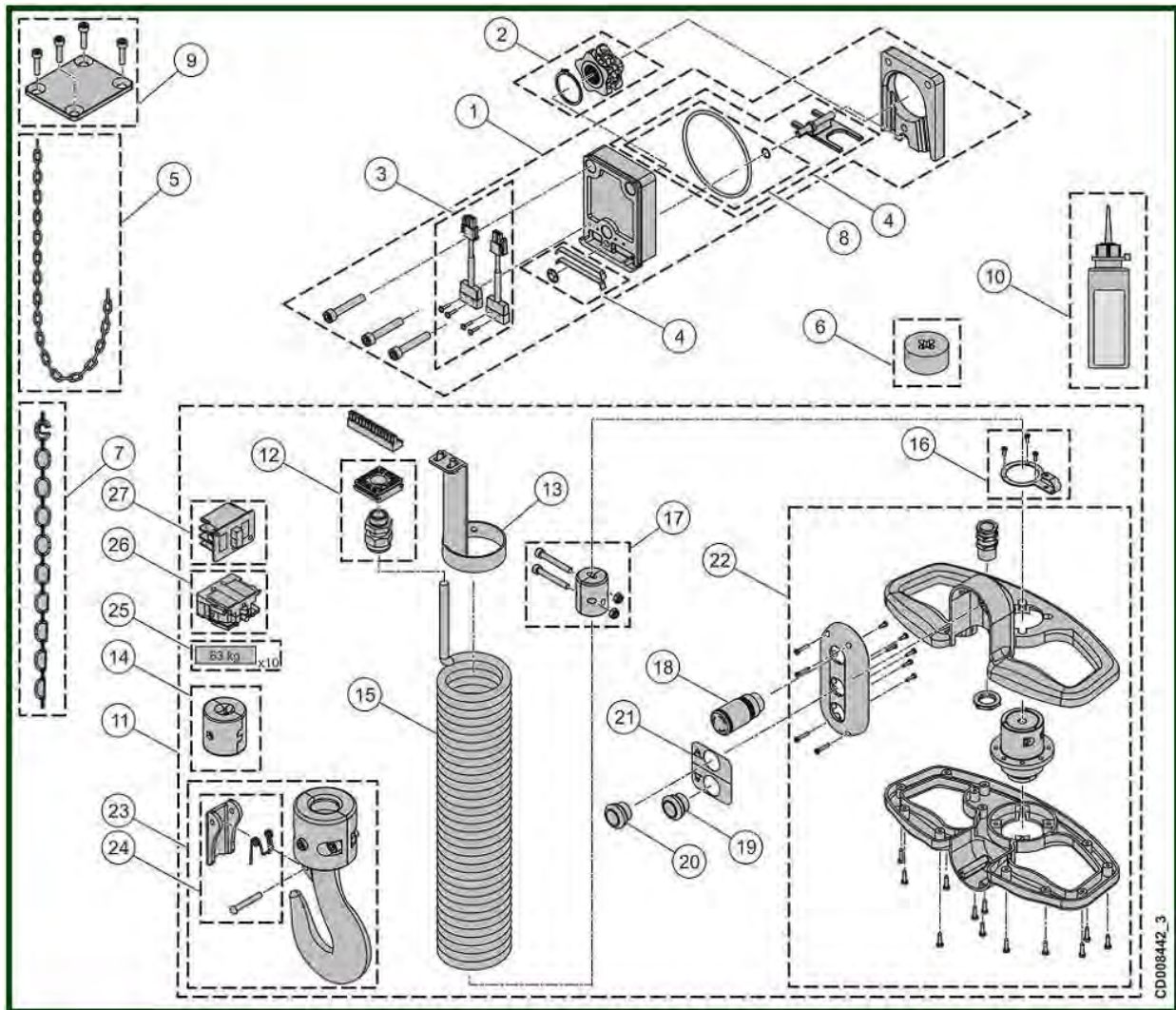
## 2. CHAIN GUIDE



## CHAIN GUIDE

Item	Reference	Description	Observation	Quantity
1	<a href="#">VT0006426</a>	Chain guide	Chain 4x11	1
2	<a href="#">VT0004540</a>	Chain sprocket		1
3	<a href="#">VT0004876</a>	Switch set		1
4	<a href="#">VT0004541</a>	Limit switch activator		1
5	<a href="#">VT0005076</a>	Galvanized chain - 4x11	Standard	1
5	<a href="#">VT0006274</a>	Stainless steel chain - 4x11	BE CAREFUL : The max load have to be decreased	1
6	<a href="#">VT0006490</a>	Hook block - 1 fall	Automatic hook	1
6	<a href="#">VT0006489</a>	Hook block - 1 fall	Stainless steel hook	1
6	<a href="#">VT0004928</a>	Hook block - 1 fall	Standard hook	1
7	<a href="#">VT0004930</a>	Rubber chain stop		1
8	<a href="#">VT0004725</a>	Half casing set		1
9	<a href="#">VT0006285</a>	Set of 10 load plates	63 Kg	1
9	<a href="#">VT0006344</a>	Set of 10 load plates	125 Kg	1
9	<a href="#">VT0006345</a>	Set of 10 load plates	160 Kg	1
9	<a href="#">VT0006346</a>	Set of 10 load plates	250 Kg	1
9	<a href="#">VT0006347</a>	Set of 10 load plates	320 Kg	1
10	<a href="#">VT0006455</a>	Hook assembly	BE CAREFUL : Sainless steel chain The max load have to be decreased	1
10	<a href="#">VT0004926</a>	Hook assembly	Standard	1
10	<a href="#">VT0006427</a>	Hook assembly	Automatic - 1+2 falls	1
11	<a href="#">VT0004905</a>	Safety latch set	Standard hook	1
12	<a href="#">VT0004934</a>	Rubber chain stop Old model	BE CAREFUL : Sainless steel chain The max load have to be decreased	1
12	<a href="#">VT0007576</a>	Rubber chain stop Since 17/06/2015		1
13	<a href="#">VT0004878</a>	Chain stop		1
14	<a href="#">VT0005573</a>	Chain fitting tool	CHCM-011	1
15	<a href="#">VT0006096</a>	Sealing		1
16	<a href="#">VT0005087</a>	End cap	Chain guide	1
17	<a href="#">VT0006093</a>	Pin		1
-	<a href="#">VT0006025</a>	Oil can		1

## 2.1. Digichain



## Digichain

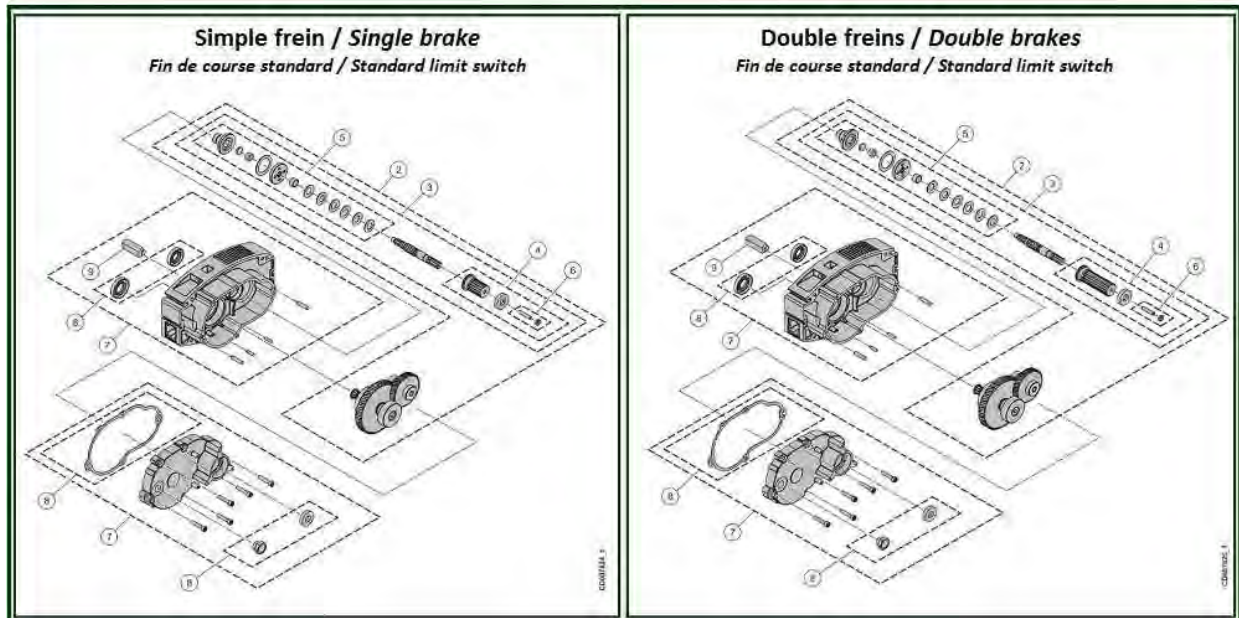
Item	Reference	Description	Observation	Quantity
1	<u>VT0006426</u>	Chain guide	Chain 4x11	1
2	<u>VT0004540</u>	Chain sprocket		1
3	<u>VT0004724</u>	Switch set		1
4	<u>VT0004541</u>	Limit switch activator		1
5	<u>VT0005076</u>	Galvanised chain - 4x11	Standard	1
5	<u>VT0006274</u>	Stainless steel chain - 4x11	Be careful : hoist downgraded	1
6	<u>VT0007576</u>	Rubber chain stop Since 17/06/2015		1
7	<u>VT0005573</u>	Chain fitting tool	CHCM-011	1
8	<u>VT0005096</u>	Sealing		1
9	<u>VT0005087</u>	End cap	Guide Chain	1
10	<u>VT0006025</u>	Oil can		1
11	<u>VT0006332</u>	Digichain sub assy. for VR2	Lg 3m	1
11	<u>VT0009201</u>	Digichain sub assy. for VR2	Lg 5m	1
12	<u>VT0006393</u>	Cable gland set Square cable entry	CG M20- ISO 20 Trolley-Power supply	1
13	<u>VT0009203</u>	Fixing set	D70H148	1
14	<u>VT0007575</u>	Chain stop	L30W32H50	1
15	<u>VT0009205</u>	Spiral cable	Lg 3m	1
15	<u>VT0009206</u>	Spiral cable	Lg 5m	1
16	<u>VT0008839</u>	Fixing plate		1
17	<u>VT0009207</u>	Coupling set	D35H45	1
18	<u>VT0006548</u>	Emergency push button		1
19	<u>VT0009208</u>	White button	XACA9411	1
20	<u>VT0009209</u>	Push button	XACA9412	1
21	<u>VT0009210</u>	Up & down sticker	CCGCPBPB-00	1
22	<u>VT0009211</u>	Pendant box module	CC05PBPB-01	1
23	<u>VT0009014</u>	Standard safety hook	RSN020T-HCH	1
24	<u>VT0004968</u>	Safety latch set -0,12T-0,25T	Single brake- Standard hook	1

25	<u>VT0009164</u>	Set of 10 load plates	63 kg	1
25	<u>VT0009165</u>	Set of 10 load plates	80 kg	1
25	<u>VT0009166</u>	Set of 10 load plates	125 kg	1
25	<u>VT0009167</u>	Set of 10 load plates	160 kg	1
25	<u>VT0009168</u>	Set of 10 load plates	250 kg	1
25	<u>VT0009169</u>	Set of 10 load plates	320 kg	1
25	<u>VT0009170</u>	Set of 10 load plates	500 kg	1
26	<u>VT0009212</u>	Contact block	XAC-S 414	1
27	<u>VT0007879</u>	Contact block	XENG1191	1

## 2.2. Precut chain

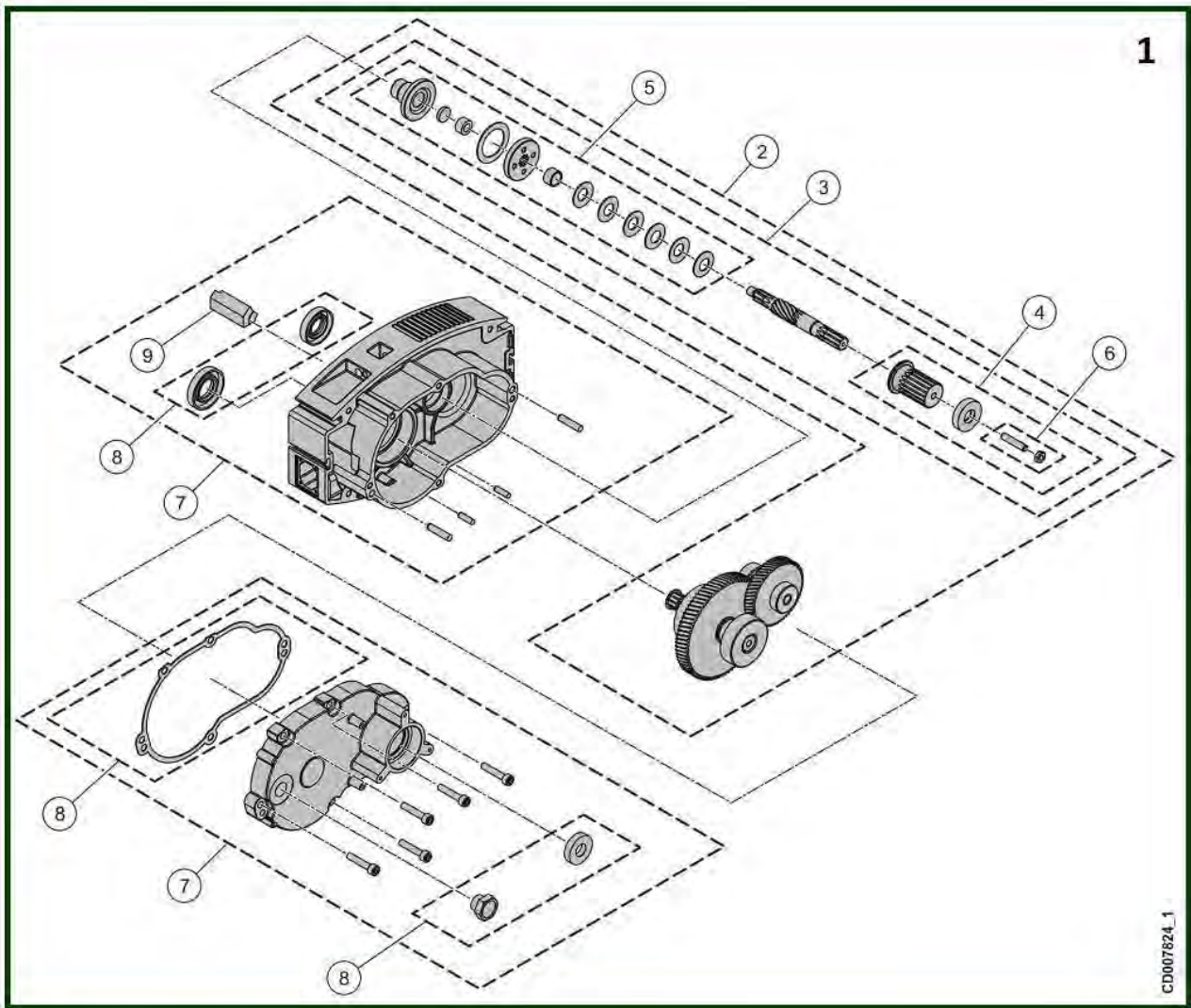
Item	Reference	Description	Observation	Quantity
	<u>53020235</u>	Galvanized load chain 4x11	4 m	1
	<u>53020251</u>	Galvanized load chain 4x11	6 m	1

### 3. GEAR





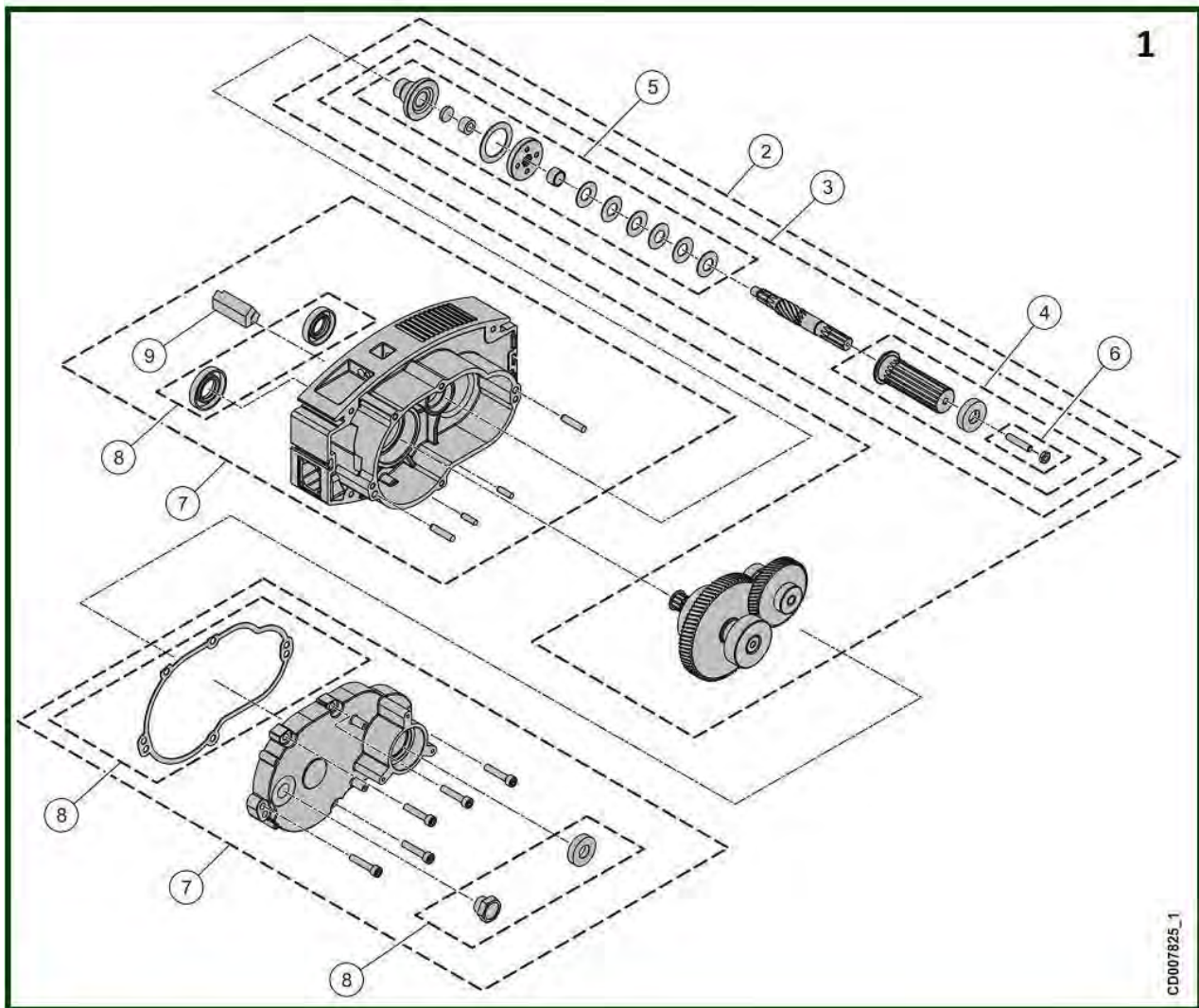
### 3.1. Single brake – Standard limit switch



### Single brake – Standard limit switch

Item	Reference	Description	Observation	Quantity
1	<u>VT0007624</u>	Gear assembly Inferior or equal to 63 Kg	4m/8m/min	1
1	<u>VT0007625</u>	Gear assembly Inferior or equal to 63 Kg	10m/min	1
1	<u>VT0007626</u>	Gear assembly Inferior or equal to 63 Kg	16m/min	1
1	<u>VT0007627</u>	Gear assembly Inferior or equal to 63 Kg	20m/min	1
1	<u>VT0007588</u>	Gear assembly More than 63 Kg	4-8 m/min	1
1	<u>VT0007622</u>	Gear assembly More than 63 Kg	10m/min	1
1	<u>VT0007589</u>	Gear assembly More than 63 Kg	16m/min	1
1	<u>VT0007623</u>	Gear assembly More than 63 Kg	20m/min	1
2	<u>VT0007634</u>	Gear / Pinion set Inferior or equal to 63 Kg	4m/8m/min	1
2	<u>VT0007635</u>	Gear / Pinion set Inferior or equal to 63 Kg	10m/min	1
2	<u>VT0007638</u>	Gear / Pinion set Inferior or equal to 63 Kg	16m/min	1
2	<u>VT0007639</u>	Gear / Pinion set Inferior or equal to 63 Kg	20m/min	1
2	<u>VT0006286</u>	Gear / Pinion set More than 63 Kg	4m/8m/min	1
2	<u>VT0006289</u>	Gear / Pinion set More than 63 Kg	10m/min	1
2	<u>VT0006290</u>	Gear / Pinion set More than 63 Kg	16m/min	1
2	<u>VT0006291</u>	Gear / Pinion set More than 63 Kg	20m/min	1
3	<u>VT0004727</u>	Coupling - Brake side More than 63 Kg	Single brake	1
3	<u>VT0007640</u>	Gear shaft with clutch Inferior or equal to 63 Kg	Single brake	1
4	<u>VT0004548</u>	Coupling - Brake side	Single brake	1
5	<u>VT0006114</u>	Clutch Inferior or equal to 63 Kg		1
5	<u>VT0004939</u>	Clutch More than 63 Kg		1
6	<u>VT0006107</u>	Screws set		1
7	<u>VT0004940</u>	Frame	Standard	1
8	<u>VT0004844</u>	Sealing set	Standard	1
9	<u>VT0004650</u>	Grommet		1

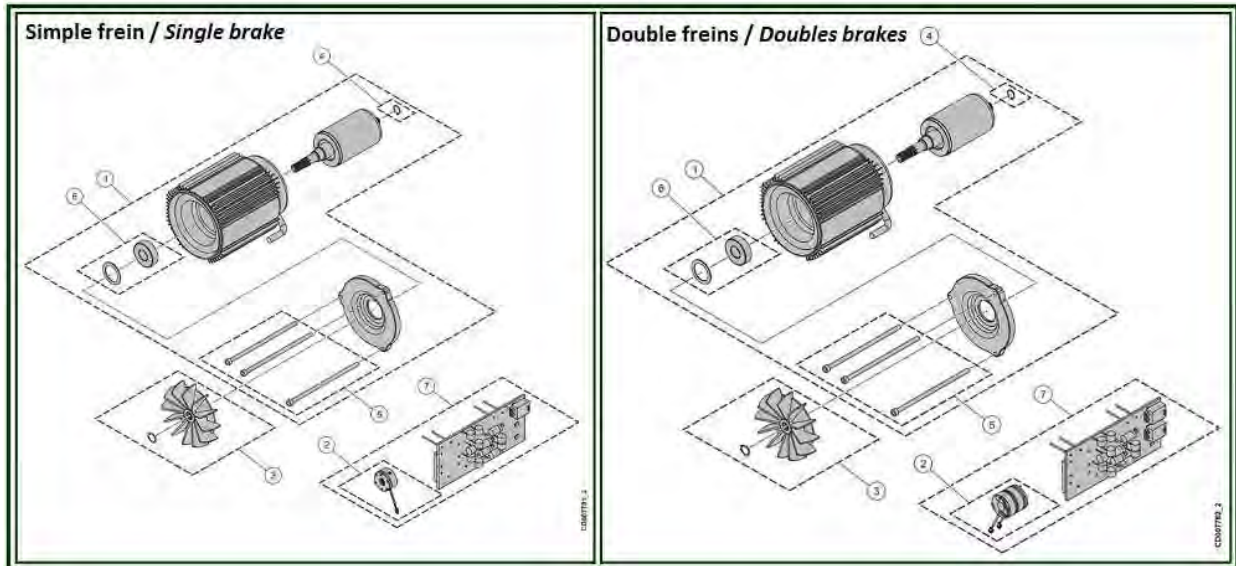
### 3.2. Double brakes - Standard limit switch



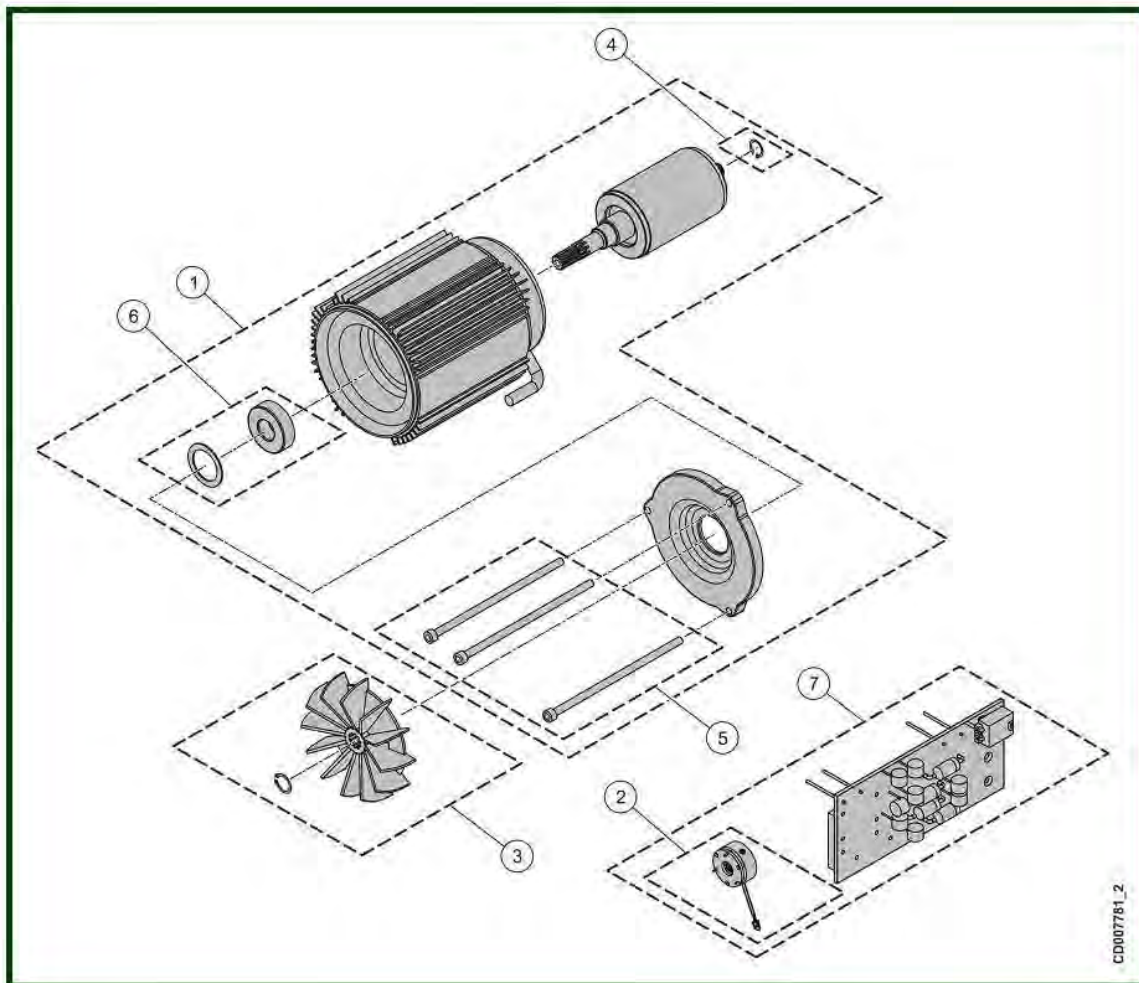
### Double brakes - Standard limit switch

Item	Reference	Description	Observation	Quantity
1	<u>VT0007630</u>	Gear assembly Inferior or equal to 63 Kg	4m/8m/min	1
1	<u>VT0007631</u>	Gear assembly Inferior or equal to 63 Kg	10m/min	1
1	<u>VT0007632</u>	Gear assembly Inferior or equal to 63 Kg	16m/min	1
1	<u>VT0007633</u>	Gear assembly Inferior or equal to 63 Kg	20m/min	1
1	<u>VT0006988</u>	Gear assembly More than 63 Kg	4-8 m/min	1
1	<u>VT0007628</u>	Gear assembly More than 63 Kg	10m/min	1
1	<u>VT0006987</u>	Gear assembly More than 63 Kg	16m/min	1
1	<u>VT0007629</u>	Gear assembly More than 63 Kg	20m/min	1
2	<u>VT0007646</u>	Gear / pinion set Inferior or equal to 63 Kg	4m/8m/min	1
2	<u>VT0007647</u>	Gear / pinion set Inferior or equal to 63 Kg	10m/min	1
2	<u>VT0007648</u>	Gear / pinion set Inferior or equal to 63 Kg	16m/min	1
2	<u>VT0007649</u>	Gear / pinion set Inferior or equal to 63 Kg	20m/min	1
2	<u>VT0007642</u>	Gear / Pinion set More than 63 Kg	4/8m/min	1
2	<u>VT0007643</u>	Gear / Pinion set More than 63 Kg	10m/min	1
2	<u>VT0007644</u>	Gear / Pinion set More than 63 Kg	16m/min	1
2	<u>VT0007645</u>	Gear - Pinion set More than 63 Kg	20m/min	1
3	<u>VT0007651</u>	Gear shaft with clutch Inferior or equal to 63 Kg	Double brakes	1
3	<u>VT0007650</u>	Gear shaft with clutch More than 63 Kg	Double brakes	1
4	<u>VT0007641</u>	Coupling - Brake side More than 63 Kg	Double brakes	1
5	<u>VT0006114</u>	Clutch Inferior or equal to 63 Kg		1
5	<u>VT0004939</u>	Clutch More than 63 Kg		1
6	<u>VT0006107</u>	Screws set		1
7	<u>VT0004940</u>	Frame	Standard	1
8	<u>VT0004844</u>	Sealing set	Standard	1
9	<u>VT0004650</u>	Grommet		1

## 4. MOTOR



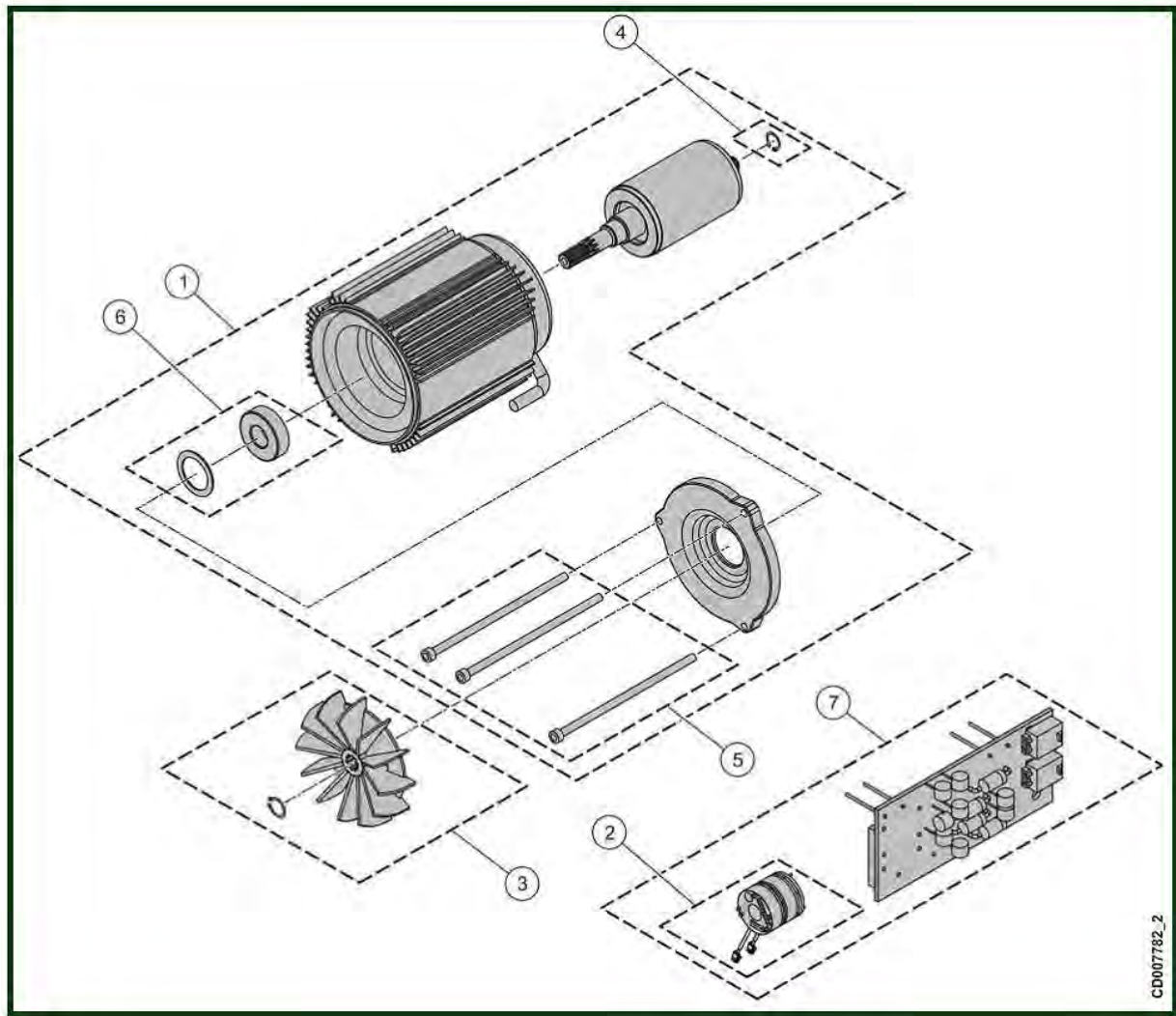
#### 4.1. Single brake



## Single brake

Item	Reference	Description	Observation	Quantity
1	<u>VT0004654</u>	Motor - 1 speed 380-415V - 50Hz 440-480V - 60Hz	4 m / min 1500 tours	1
1	<u>VT0007718</u>	Motor - 2 speeds 208-230V 60Hz	2-4 m/min	1
1	<u>VT0004660</u>	Motor - 2 speeds 220-240V 50Hz	8-10-16-20m/min 3000/750tr/min	1
1	<u>VT0007716</u>	Motor - 2 speeds 220-240V/50Hz	2-4 m/min	1
1	<u>VT0007719</u>	Motor - 2 speeds 380-400V 60Hz	2-4 m/min	1
1	<u>VT0007715</u>	Motor 2 speeds 380-400V 60Hz	8-10-16-20m/min	1
1	<u>VT0004651</u>	Motor - 2 speeds 380-415V - 50Hz 440-480 - 60Hz	8 m / min 3000 tours	1
1	<u>VT0006307</u>	Motor - 2 speeds 380-415V/50Hz 440-480V 60Hz	2-4 m/min 1500/750tr/min 1800/900tr/min	1
1	<u>VT0006755</u>	Motor - 2 speeds 500-525V 50Hz 575-600V 60Hz	8-10-16-20m/min	1
1	<u>VT0007717</u>	Motor - 2 speeds 500-525V/50Hz 575-600V/60Hz	2-4 m/min	1
2	<u>VT0006353</u>	Single brake	240-500V	1
2	<u>VT0006354</u>	Single brake	320-690V	1
2	<u>VT0006260</u>	Single brake - 103-230V	USED 208V - 230V	1
2	<u>VT0004662</u>	Single brake - 190-400V	USED 380V - 480V	1
3	<u>VT0004641</u>	Fan set		1
4	<u>VT0004663</u>	Retaining ring		1
5	<u>VT0005088</u>	Screws set		1
6	<u>VT0004665</u>	Bearing		1
7	<u>VT0006261</u>	Single brake + Rectifier	103V	1
7	<u>VT0006186</u>	Single brake + Rectifier	190V	1

## 4.2. Double brakes

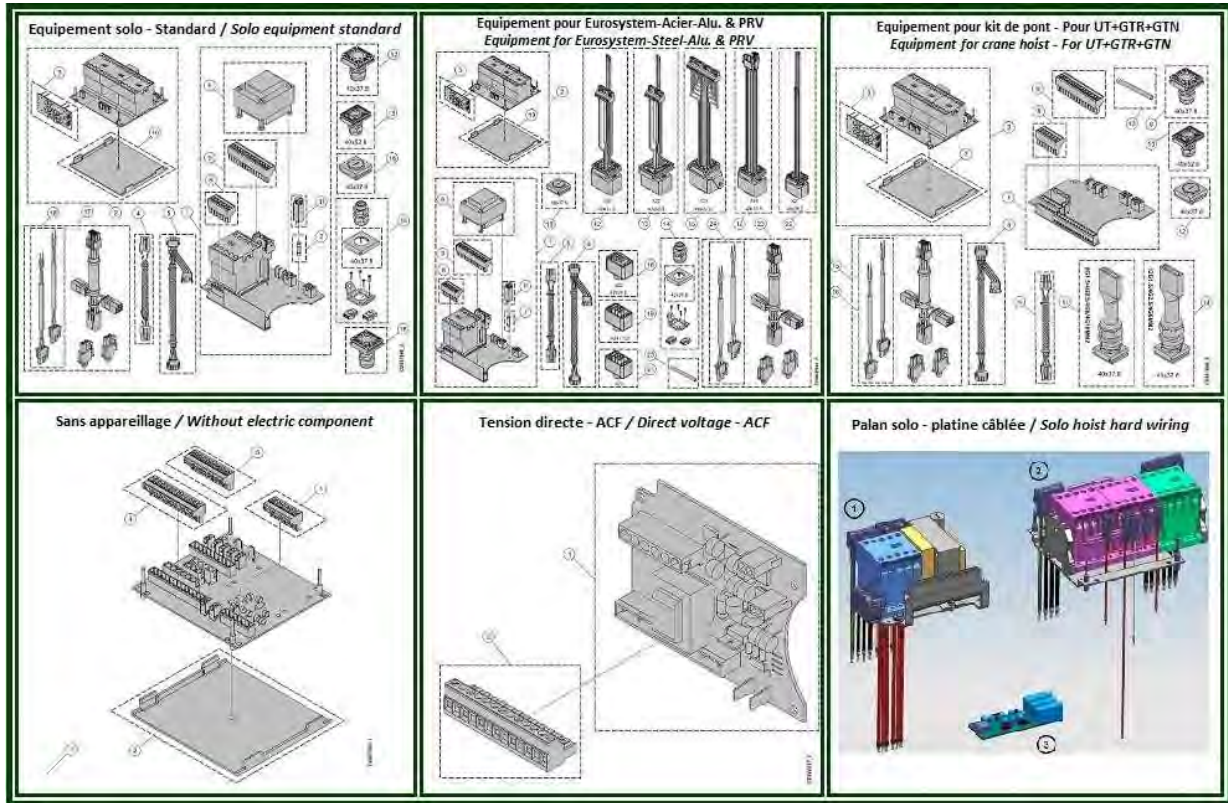




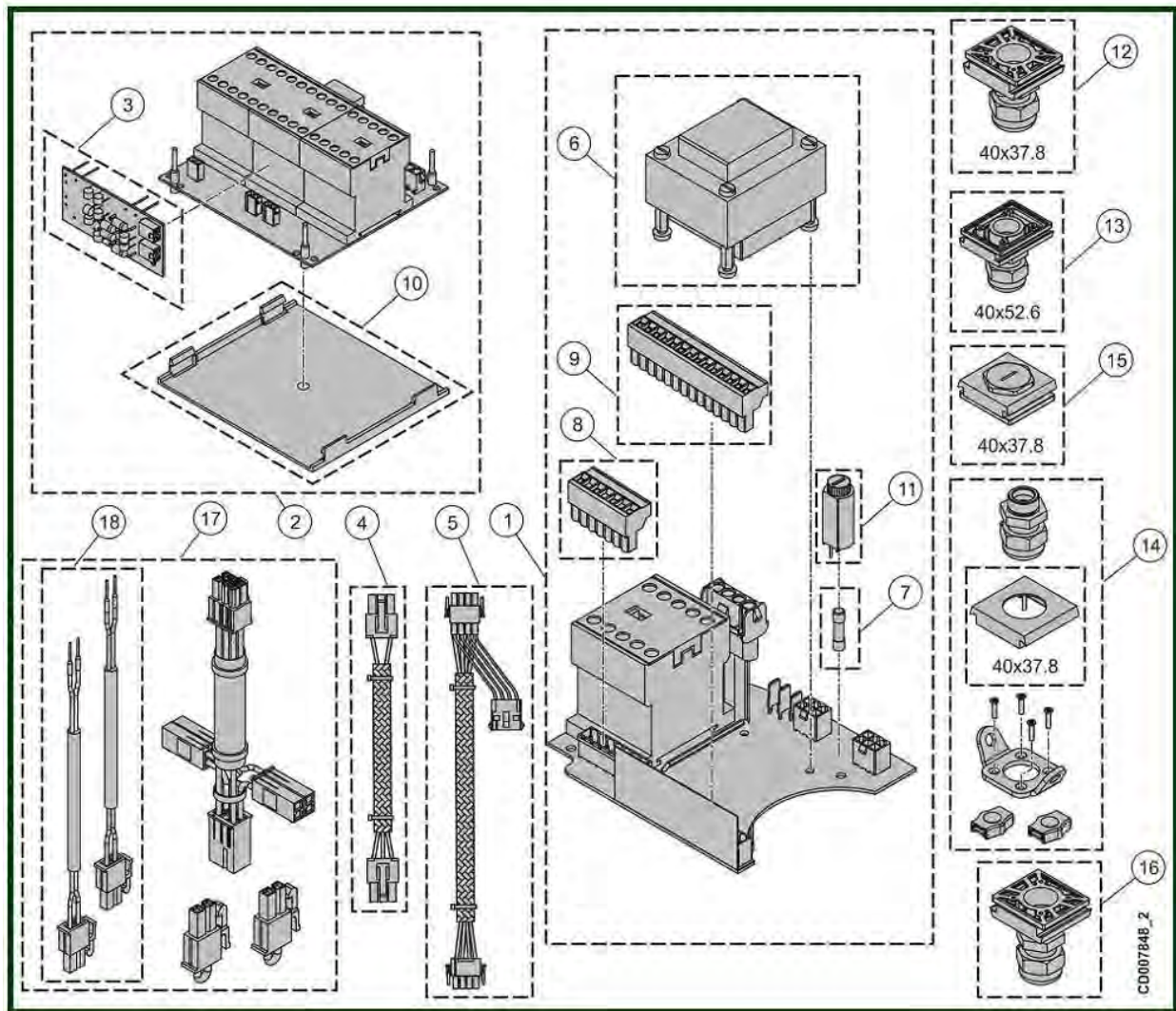
## Double brakes

Item	Reference	Description	Commentaires	Quantity
1	<u>VT0004654</u>	Motor - 1 speed 380-415V - 50Hz 440-480V - 60Hz	1500 tours - 4 m / min	1
1	<u>VT0007718</u>	Motor - 2 speeds 208-230V 60Hz	2-4 m/min	1
1	<u>VT0004660</u>	Motor - 2 speeds 220-240V 50Hz	8-10-16-20m/min (3000/750tr/min)	1
1	<u>VT0007716</u>	Motor - 2 speeds 220-240V/50Hz	2-4 m/min	1
1	<u>VT0007719</u>	Motor - 2 speeds 380-400V 60Hz	2-4 m/min	1
1	<u>VT0007715</u>	Motor - 2 speeds 380-400V 60Hz	8-10-16-20m/min	1
1	<u>VT0004651</u>	Motor - 2 speeds 380-415V - 50Hz 440-480 - 60Hz	8 m / min 3000 tours -	1
1	<u>VT0006307</u>	Motor - 2 speeds 380-415V/50Hz 440-480V 60Hz	2-4 m/min (1500/750tr/min) (1800/900tr/min)	1
1	<u>VT0006755</u>	Motor - 2 speeds 500-525V 50Hz 575-600V 60Hz	8-10-16-20m/min	1
1	<u>VT0007717</u>	Motor - 2 speeds 500-525V/50Hz 575-600V/60Hz	2-4 m/min	1
2	<u>VT0006185</u>	Double brakes	103 V	1
2	<u>VT0006184</u>	Double brakes	190 V	1
2	<u>VT0006355</u>	Double brakes	240-500V	1
2	<u>VT0006356</u>	Double brakes	320-690V	1
3	<u>VT0004641</u>	Fan set		1
4	<u>VT0004663</u>	Retaining ring		1
5	<u>VT0005088</u>	Screws set		1
6	<u>VT0004665</u>	Bearing		1
7	<u>VT0006189</u>	Double brakes + Rectifier	103 V	1
7	<u>VT0006188</u>	Double brakes + Rectifier	190 V	1

## 5. ELECTRICAL PARTS



## 5.1. Solo Equipment– Standard

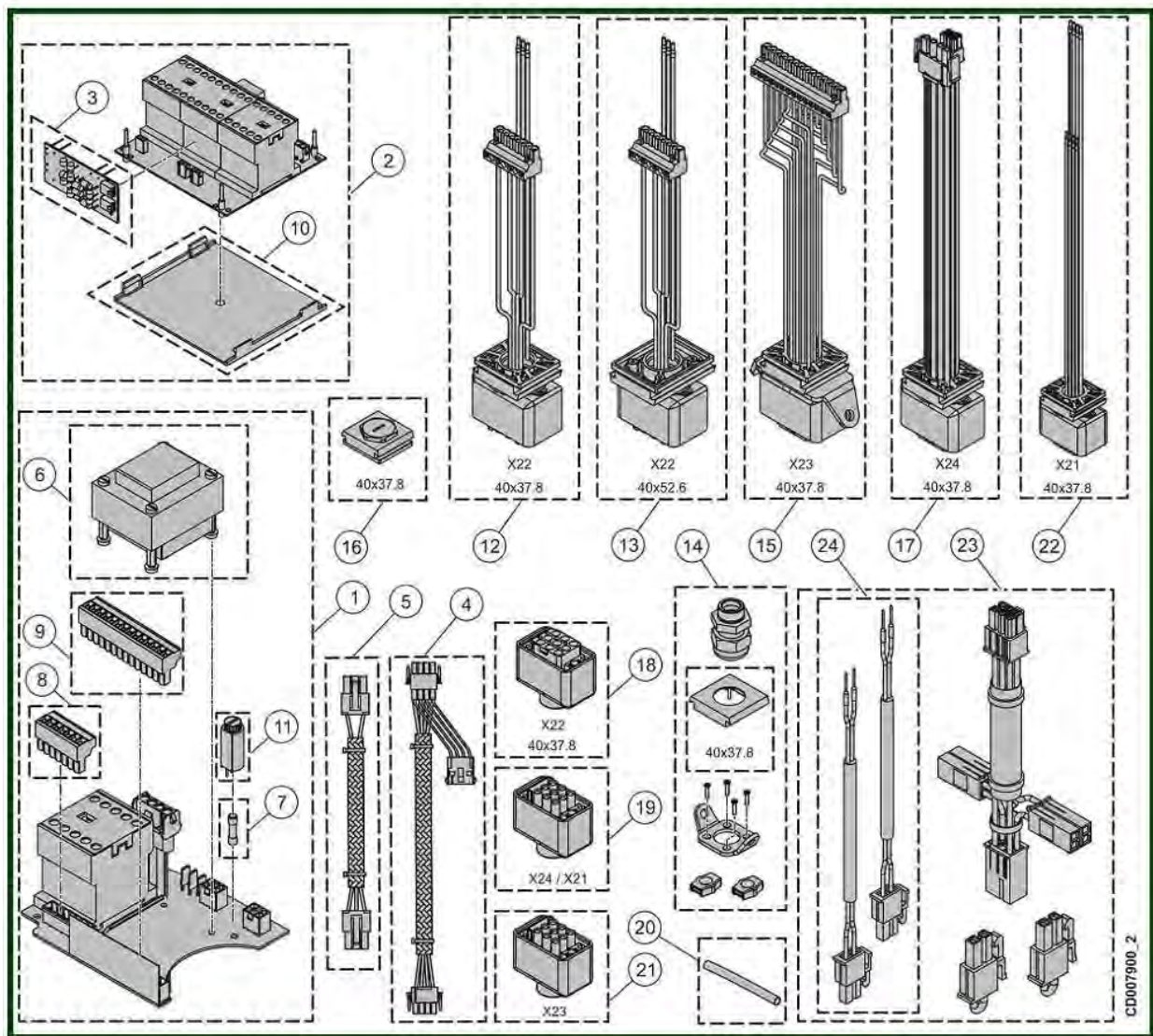


## Solo Equipment– Standard

Item	Reference	Description	Observation	Quantity
1	<u>VT0006431</u>	Power supply PC board- Solo hoist	208V 230V / 110V CI/PC - Standard	1
1	<u>VT0006430</u>	Power supply PC board- Solo hoist	230V / 48V CI/PC - Standard	1
1	<u>VT0004944</u>	Power supply PC board- Solo hoist	400V / 24V CI/PC BOARD	1
1	<u>VT0004942</u>	Power supply PC board- Solo hoist	400V / 48V CI/PC BOARD	1
1	<u>VT0005312</u>	Power supply PC board- Solo hoist	400V / 110V CI/PC BOARD	1
1	<u>VT0005313</u>	Power supply PC board- Solo hoist	400V / 230V CI/PC BOARD	1
1	<u>VT0006432</u>	Power supply PC board- Solo hoist	460V / 48V CI/PC BOARD	1
1	<u>VT0006433</u>	Power supply PC board- Solo hoist	460V / 110V CI/PC BOARD	1
1	<u>VT0006434</u>	Power supply PC board- Solo hoist	500V / 48V CI/PC BOARD	1
1	<u>VT0006446</u>	Power supply PC board- Solo hoist	500V / 110V CI/PC BOARD	1
1	<u>VT0006435</u>	Power supply PC board- Solo hoist	575V / 48V CI/PC BOARD	1
1	<u>VT0006447</u>	Power supply PC board- Solo hoist	575V / 110V CI/PC BOARD	1
2	<u>VT0005302</u>	Electrical board 2 speeds - 1 brake	230V-690V / 24V / 50 60Hz	1
2	<u>VT0004945</u>	Electrical board 2 speeds - 1 brake	230V-690V / 48V / 50 60Hz	1
2	<u>VT0005303</u>	Electrical board 2 speeds - 1 brake	230V-690V / 110V / 50 60Hz	1
2	<u>VT0005304</u>	Electrical board 2 speeds - 1 brake	230V-690V/ 230V / 50 60Hz	1
2	<u>VT0005305</u>	Electrical board 2 speeds - 2 brakes	230V-690V / 24V /50 60Hz	1
2	<u>VT0005306</u>	Electrical board 2 speeds - 2 brakes	230V-690V / 48V / 50 60Hz	1
2	<u>VT0005307</u>	Electrical board 2 speeds - 2 brakes	230V-690V / 50-60Hz	1
2	<u>VT0005308</u>	Electrical board 2 speeds - 2 brakes	230V-690V/ 230V / 50 60Hz	1
3	<u>VT0004946</u>	Rectifier - 1 brake	230V-690V	1
3	<u>VT0004947</u>	Rectifier - 2 brakes	230V-690V	1
3	<u>VT0004948</u>	Reconnectable rectifier	208V-690V	1
4	<u>VT0004949</u>	Wire harness - Plug control voltage		1
5	<u>VT0004950</u>	Wire harness - Plug power voltage		1

6	<u>VT0006439</u>	Transformer	208V 230V / 115V	1
6	<u>VT0006325</u>	Transformer	230V / 48V	1
6	<u>VT0004952</u>	Transformer	400V / 24V	1
6	<u>VT0004953</u>	Transformer	400V / 48V - 50/60Hz	1
6	<u>VT0004951</u>	Transformer	400V / 115V - 50/60Hz	1
6	<u>VT0004954</u>	Transformer	400V / 230V	1
6	<u>VT0006437</u>	Transformer	460V / 48V	1
6	<u>VT0006440</u>	Transformer	460V / 110V 50/60Hz	1
6	<u>VT0006436</u>	Transformer	500V / 48V	1
6	<u>VT0006438</u>	Transformer	575V / 48V	1
6	<u>VT0008540</u>	Transformer	575V / 110V	1
7	<u>VT0004915</u>	Set of 10 fuses	48V	1
7	<u>VT0004955</u>	Set of 10 fuses	115V	1
7	<u>VT0008541</u>	Set of 10 fuses	230V	1
8	<u>VT0005107</u>	Connector	4P	1
9	<u>VT0005108</u>	Pendant connector	14P	1
10	<u>VT0006441</u>	Plaque de protection		1
11	<u>VT0006191</u>	Porte fusible		1
12	<u>VT0006393</u>	Cable gland set Square cable entry	CG M20- ISO 20 Trolley-Power supply	1
13	<u>VT0005089</u>	Cable gland set Rectangular entry	Power supply- Only VR2 ISO 20	1
14	<u>VT0005090</u>	Cable gland set Square cable entry	Push button controller From september 2014	1
15	<u>VT0006089</u>	Bouchon - Square cable entry		1
16	<u>VT0006326</u>	Cable gland set - Square cable entry	Flat cable 4G2.5	1
17	<u>VT0008551</u>	Kit de connection FDC	FDC MS +GLS	1
18	<u>VT0008550</u>	GLS cable	Quantity : 2 for 2 Cames ou 4 for 4 Cames	1
-	<u>VT0006967</u>	Time counter		1

## 5.2. Equipment for Eurosystem - Steel - Alu. & PRV



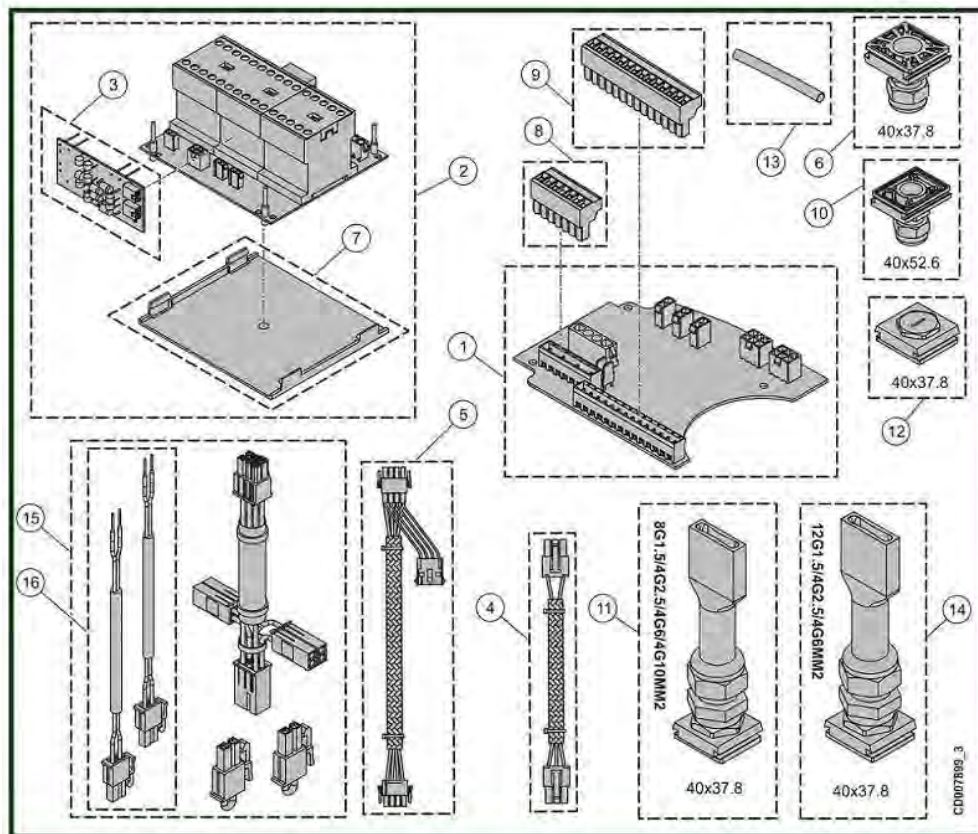
## Equipment for Eurosystem - Steel - Alu. & PRV

Item	Reference	Description	Observation	Quantity
1	<u>VT0006431</u>	Power supply PC board- Solo hoist	208V 230V / 110V CI/PC - Standard	1
1	<u>VT0006430</u>	Power supply PC board- Solo hoist	230V / 48V CI/PC - Standard	1
1	<u>VT0004944</u>	Power supply PC board- Solo hoist	400V / 24V CI/PC BOARD	1
1	<u>VT0004942</u>	Power supply PC board- Solo hoist	400V / 48V CI/PC BOARD	1
1	<u>VT0005312</u>	Power supply PC board- Solo hoist	400V / 110V CI/PC BOARD	1
1	<u>VT0005313</u>	Power supply PC board- Solo hoist	400V / 230V CI/PC BOARD	1
1	<u>VT0006432</u>	Power supply PC board- Solo hoist	460V / 48V CI/PC BOARD	1
1	<u>VT0006433</u>	Power supply PC board- Solo hoist	460V / 110V CI/PC BOARD	1
1	<u>VT0006434</u>	Power supply PC board- Solo hoist	500V / 48V CI/PC BOARD	1
1	<u>VT0006446</u>	Power supply PC board- Solo hoist	500V / 110V CI/PC BOARD	1
1	<u>VT0006435</u>	Power supply PC board- Solo hoist	575V / 48V CI/PC BOARD	1
1	<u>VT0006447</u>	Power supply PC board- Solo hoist	575V / 110V CI/PC BOARD	1
2	<u>VT0005302</u>	Electrical board 2 speeds - 1 brake	230V-690V / 24V / 50 60Hz	1
2	<u>VT0004945</u>	Electrical board 2 speeds - 1 brake	230V-690V / 48V / 50 60Hz	1
2	<u>VT0005303</u>	Electrical board 2 speeds - 1 brake	230V-690V / 110V / 50 60Hz	1
2	<u>VT0005304</u>	Electrical board 2 speeds - 1 brake	230V-690V/ 230V / 50 60Hz	1
2	<u>VT0005305</u>	Electrical board 2 speeds - 2 brakes	230V-690V / 24V /50 60Hz	1
2	<u>VT0005306</u>	Electrical board 2 speeds - 2 brakes	230V-690V / 48V / 50 60Hz	1
2	<u>VT0005307</u>	Electrical board 2 speeds - 2 brakes	230V-690V / 50-60Hz	1
2	<u>VT0005308</u>	Electrical board 2 speeds - 2 brakes	230V-690V/ 230V / 50 60Hz	1
3	<u>VT0004946</u>	Rectifier - 1 brake	230V-690V	1
3	<u>VT0004947</u>	Rectifier - 2 brakes	230V-690V	1
4	<u>VT0004949</u>	Wire harness - Plug control voltage		1
5	<u>VT0004950</u>	Wire harness - Plug power voltage		1

6	<u>VT0006439</u>	Transformer	208V 230V / 115V	1
6	<u>VT0006325</u>	Transformer	230V / 48V	1
6	<u>VT0004952</u>	Transformer	400V / 24V	1
6	<u>VT0004953</u>	Transformer	400V / 48V - 50/60Hz	1
6	<u>VT0004951</u>	Transformer	400V / 115V - 50/60Hz	1
6	<u>VT0004954</u>	Transformer	400V / 230V	1
6	<u>VT0006437</u>	Transformer	460V / 48V	1
6	<u>VT0006440</u>	Transformer	460V / 110V 50/60Hz	1
6	<u>VT0006436</u>	Transformer	500V / 48V	1
6	<u>VT0006438</u>	Transformer	575V / 48V	1
6	<u>VT0008540</u>	Transformer	575V / 110V	1
7	<u>VT0004915</u>	Set of 10 fuses	48V	1
7	<u>VT0004955</u>	Set of 10 fuses	115V	1
7	<u>VT0008541</u>	Set of 10 fuses	230V	1
8	<u>VT0005107</u>	Connector	4P	1
9	<u>VT0005108</u>	Pendant connector	14P	1
10	<u>VT0006441</u>	Plaque de protection		1
11	<u>VT0006191</u>	Fuses base		1
12	<u>VT0007798</u>	Power supply connector Set square	X22 Hoist side	1
13	<u>VT0007574</u>	Power supply connector Set rectangular	X22 Hoist side Only VR2	1
14	<u>VT0005090</u>	Cable gland set Square cable entry	Push button controller	1
15	<u>VT0007224</u>	Push button connector	X23 Hoist side Movable push button only	1
16	<u>VT0006089</u>	End cap - Square cable entry		1
17	<u>VT0006971</u>	Connector set - Trolley	X24 Hoist side	1
18	<u>VT0007804</u>	Connector set - Alimentation	X22 Side flat cable	1
19	<u>VT0007805</u>	Connector set - Trolley	X24 Side flat cable	1
20	<u>VT0007781</u>	Head shrinkable tube		1
21	<u>VT0007806</u>	Push button connector set	X23 Side push button Movable push button only	1
22	<u>VT0008135</u>	Crane cubicle connector set	X21 Hoist side	1
23	<u>VT0008551</u>	Set of connection GLS	FDC MS +GLS	1
24	<u>VT0008550</u>	GLS cable	Quantity 2 for 2 Cames or 4 for 4 Cames	1
-	<u>VT0006967</u>	Time counter		1



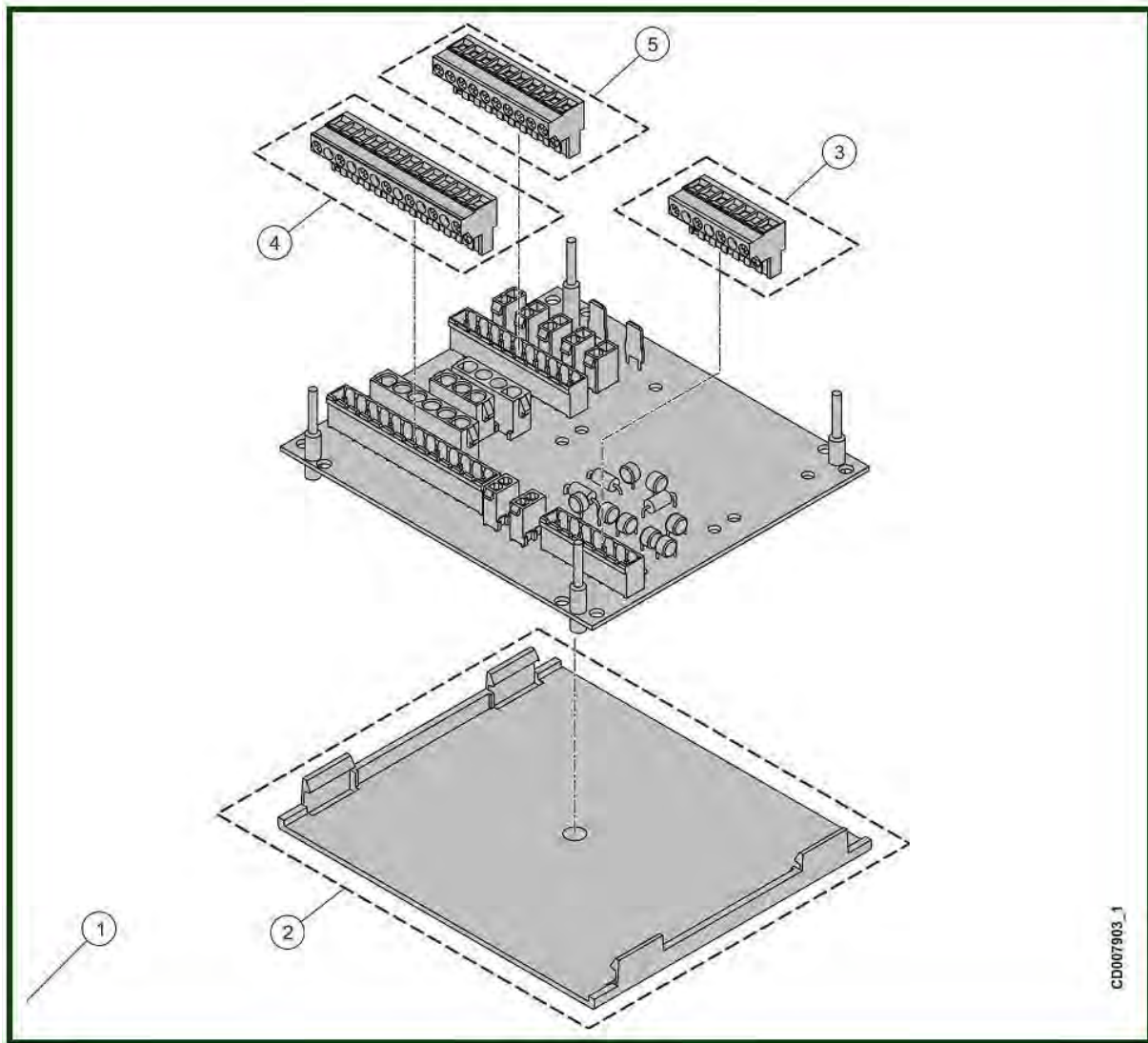
### 5.3. Equipment for crane kit - For UT+GTR+GTN



### Equipment for crane kit - For UT+GTR+GTN

Item	Reference	Description	Observation	Quantity
1	<u>VT0004943</u>	Electrical power crane	230V-690V CI/PC BOARD	1
2	<u>VT0005302</u>	Electrical board 2 speeds - 1 brake	230V-690V / 24V / 50 60Hz	1
2	<u>VT0004945</u>	Electrical board 2 speeds - 1 brake	230V-690V / 48V / 50 60Hz	1
2	<u>VT0005303</u>	Electrical board 2 speeds - 1 brake	230V-690V / 110V / 50 60Hz	1
2	<u>VT0005304</u>	Electrical board 2 speeds - 1 brake	230V-690V/ 230V / 50 60Hz	1
2	<u>VT0005305</u>	Electrical board 2 speeds - 2 brakes	230V-690V / 24V /50 60Hz	1
2	<u>VT0005306</u>	Electrical board 2 speeds - 2 brakes	230V-690V / 48V / 50 60Hz	1
2	<u>VT0005307</u>	Electrical board 2 speeds - 2 brakes	230V-690V / 50-60Hz	1
2	<u>VT0005308</u>	Electrical board 2 speeds - 2 brakes	230V-690V/ 230V / 50 60Hz	1
3	<u>VT0004946</u>	Rectifier - 1 brake	230V-690V	1
3	<u>VT0004947</u>	Rectifier - 2 brakes	230V-690V	1
4	<u>VT0004949</u>	Wire harness - Plug control voltage		1
5	<u>VT0004950</u>	Wire harness - Plug power voltage		1
6	<u>VT0006393</u>	Cable gland set Square cable entry	CG M20- ISO 20 Trolley-Alimentation	1
7	<u>VT0006441</u>	Insulation plate		1
8	<u>VT0005107</u>	Connector	4P	1
9	<u>VT0005108</u>	Pendant connector	14P	1
10	<u>VT0007782</u>	Cable gland set Square rectangular entry	4G2.5MM2 Flat cable - Only VR2	1
11	<u>VT0007780</u>	Cable gland set Square cable entry	8G1.5/4G2.5/4G6/4G10mm2	1
12	<u>VT0006089</u>	End cap Square cable entry		1
13	<u>VT0007781</u>	Head shrinkable tube		1
14	<u>VT0006454</u>	Cable gland set flat cable Square cable entry	12G1.5/4G2.5/4G6mm2 - ISO 25	1
15	<u>VT0008551</u>	Set of connection GLS	FDC MS +GLS	1
16	<u>VT0008550</u>	GLS cable	Quantity 2 for 2 Cames ou 4 for 4 Cames	1
-	<u>VT0006967</u>	Time counter		1

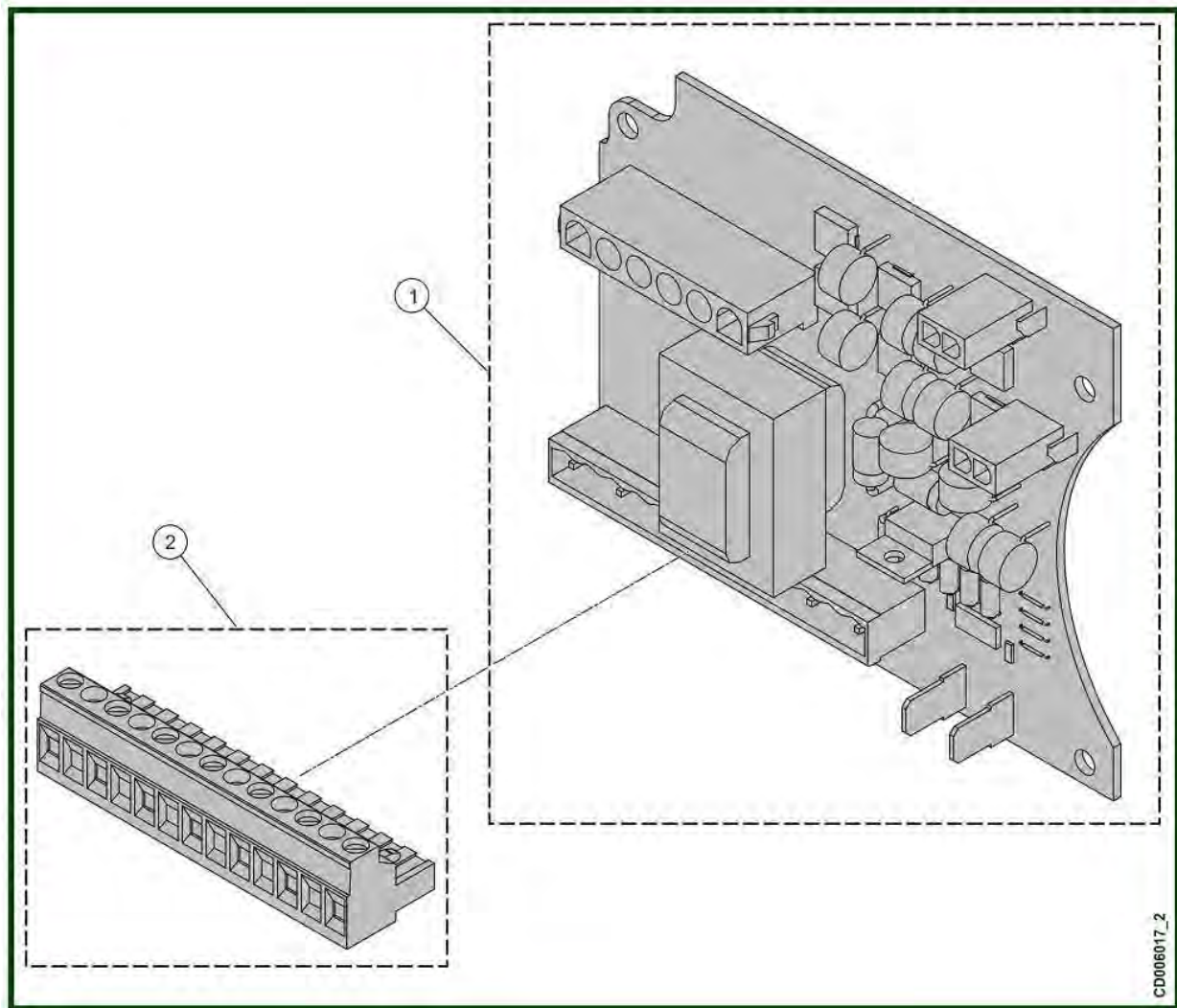
### 5.4. Without electric component



CD007903\_1

Item	Reference	Description	Observation	Quantity
1	<a href="#">VT0007656</a>	Electrical board	Without arrangement + Rectifier	1
2	<a href="#">VT0006441</a>	Insulation plate		1
3	<a href="#">VT0005107</a>	Connector	4P	1
4	<a href="#">VT0006429</a>	Wire harness Plug power voltage	7P	1
5	<a href="#">VT0009330</a>	Control connector	10P	1

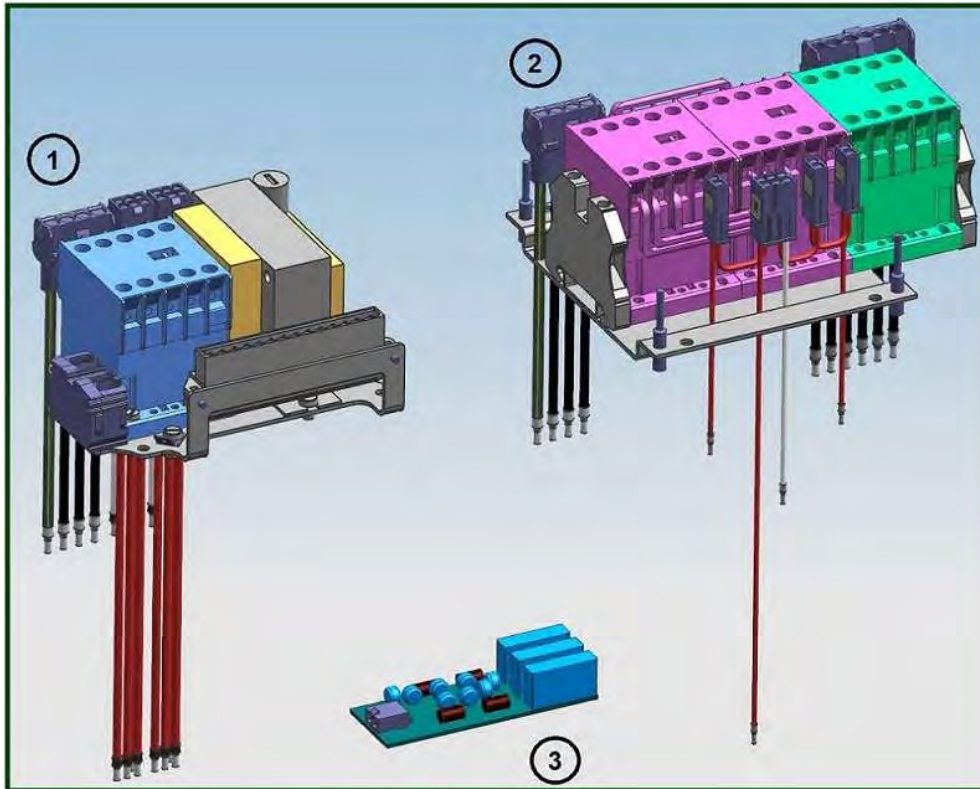
## 5.5. Direct voltage – ACF



Item	Reference	Description	Observation	Quantity
1	VT0006428	ACF card - 2 speeds		1
2	VT0006429	Wire harness Plug power voltage	7P	1

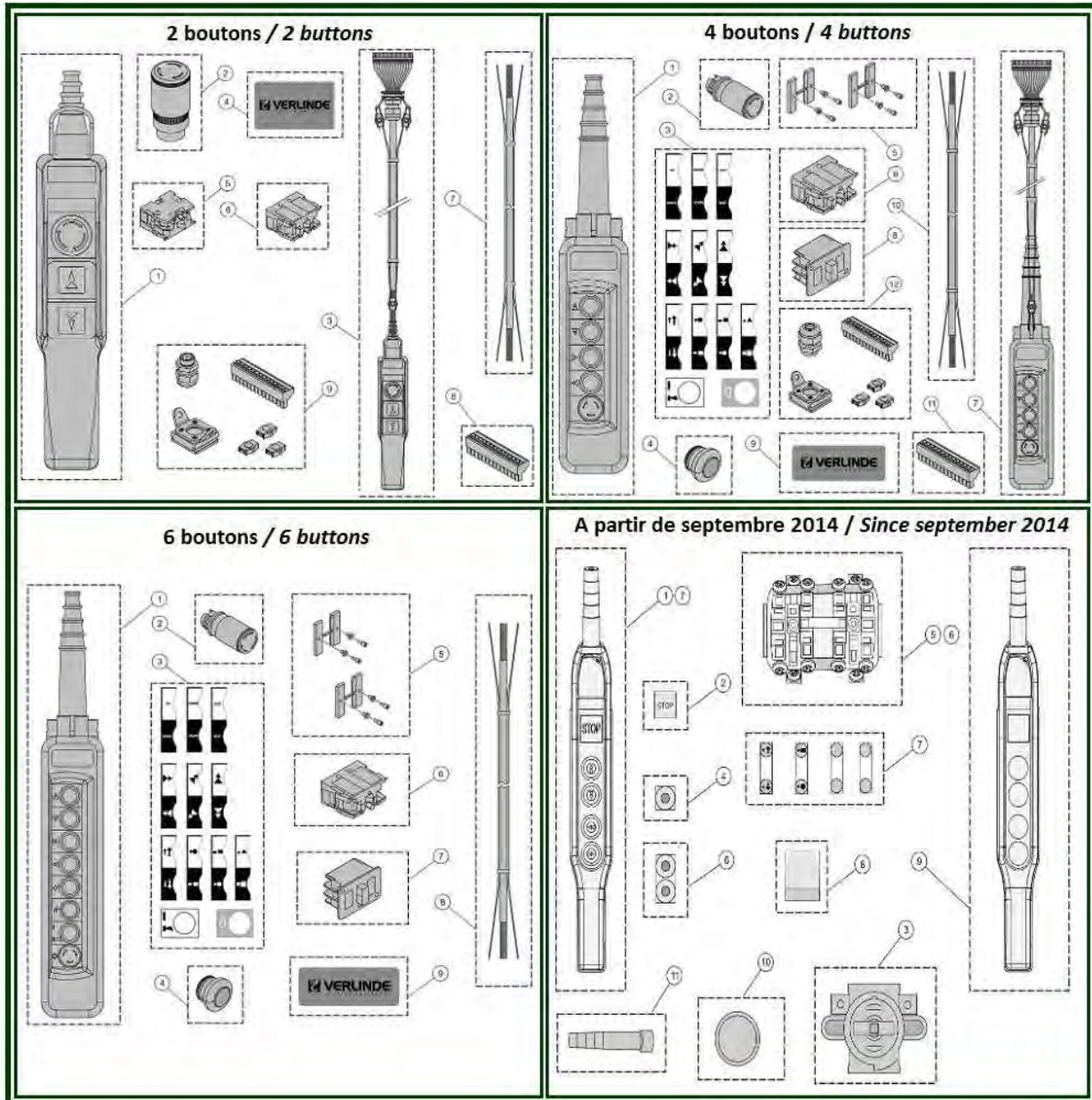
## 5.6. Solo hoist – Harding wiring

Option

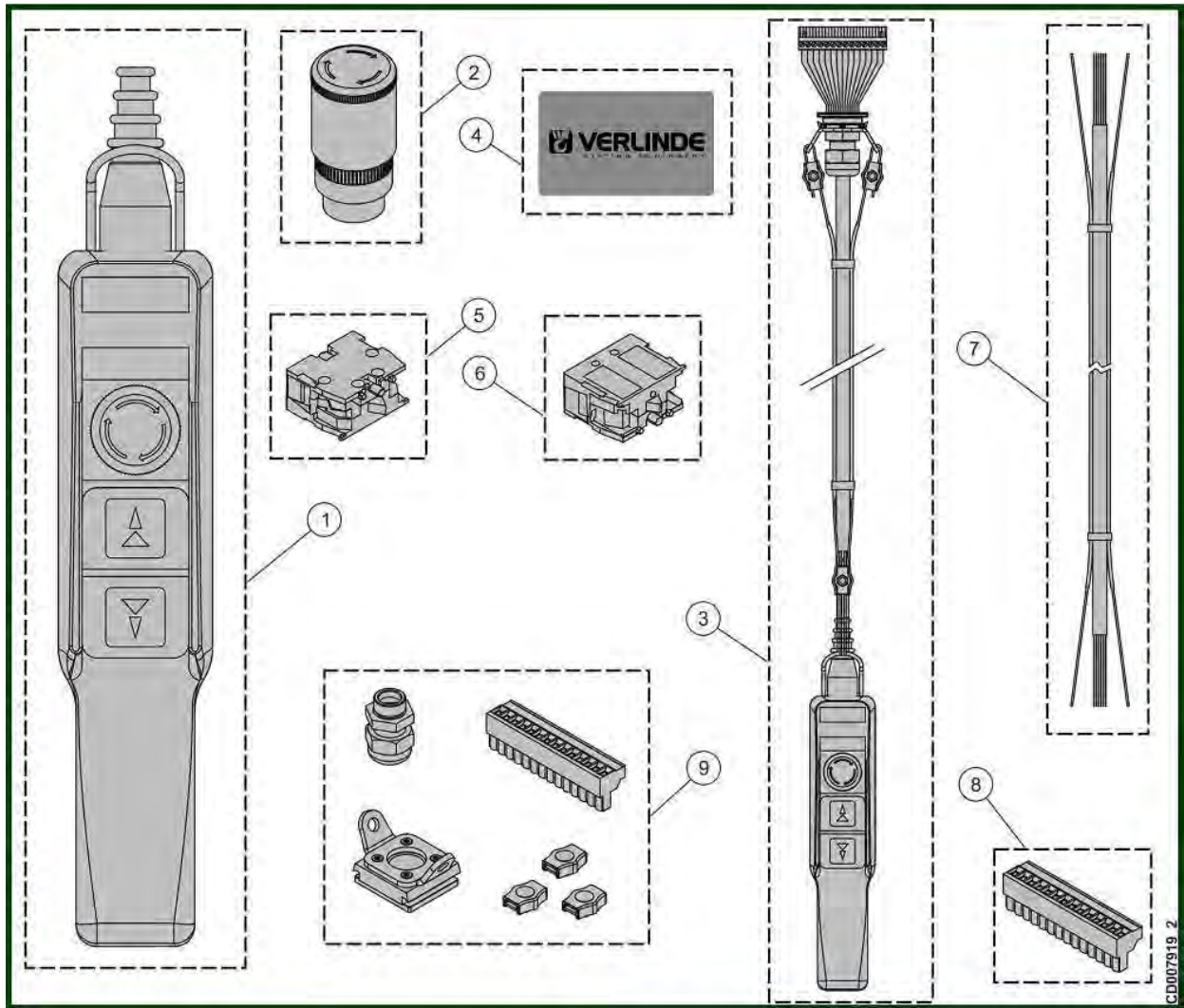


Item	Reference	Description	Observation	Quantity
1	<a href="#">VT0007058</a>	Power supply- Solo hoist	400V-48V Hard wiring - Option	1
1	<a href="#">VT0007084</a>	Power supply- Solo hoist	400V-110V Hard wiring - Option	1
1	<a href="#">VT0007086</a>	Power supply- Solo hoist	460V-48V Hard wiring - Option	1
1	<a href="#">VT0007087</a>	Power supply- Solo hoist	460V-110V Hard wiring - Option	1
2	<a href="#">VT0007057</a>	Electrical board 2 speeds - 1 brake	208V-575V /48V Hard wiring - Option	1
2	<a href="#">VT0007089</a>	Electrical board 2 speeds - 1 brake	208V-575V /110V-115V Hard wiring - Option	1
3	<a href="#">VT0008823</a>	Rectifier	208V-575V	1

## 6. PUSH BUTTON CONTROLLER



## 6.1. 2 buttons

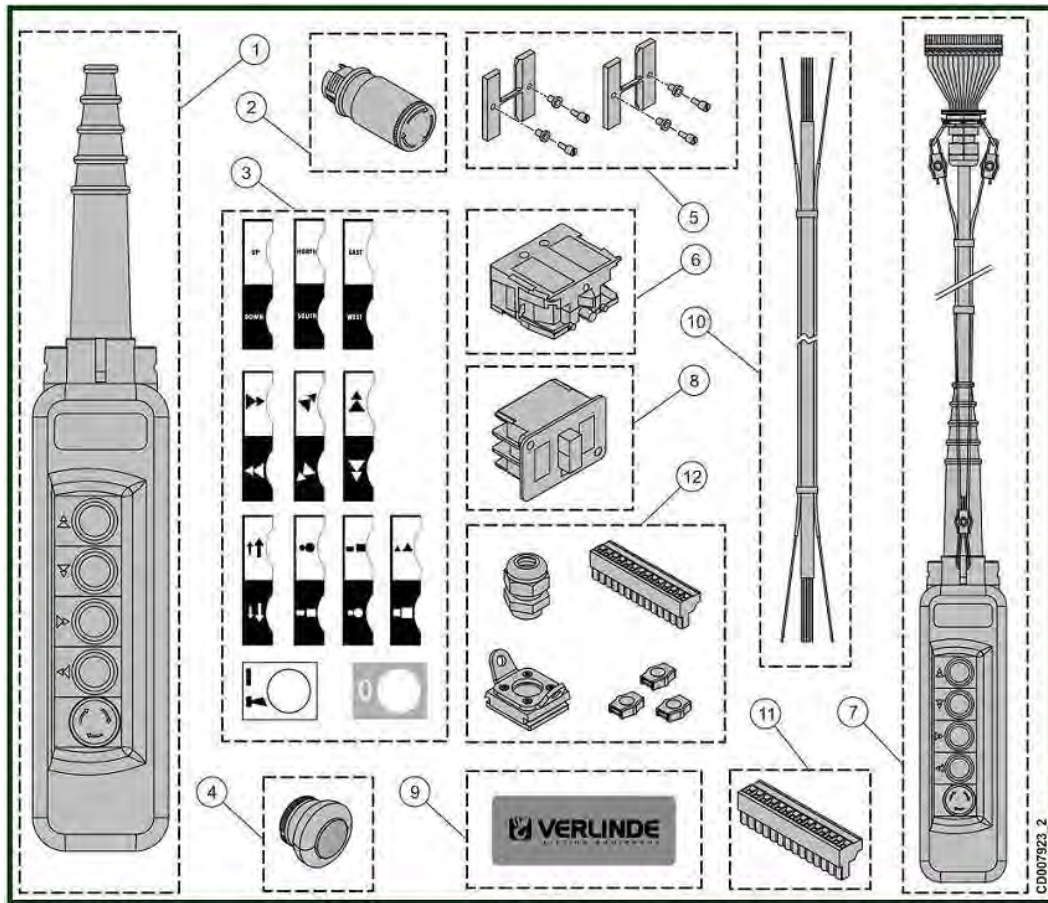


## 2 buttons

Item	Reference	Description	Observation	Quantity
1	<u>VT0005061</u>	Push button controller 2HS+ES	Yellow	1
2	<u>VT0006547</u>	Emergency push button		1
3	<u>VT0005612</u>	Pendant with cable 2HS+ES	2,2 m - Yellow - CE	1
3	<u>VT0005613</u>	Pendant with cable 2HS+ES	2,7 m - Yellow - CE	1
3	<u>VT0005614</u>	Pendant with cable 2HS+ES	3,2 m - Yellow - CE	1
3	<u>VT0005615</u>	Pendant with cable 2HS+ES	3,7 m - Yellow - CE	1
3	<u>VT0005616</u>	Pendant with cable 2HS+ES	4,2 m - Yellow - CE	1
3	<u>VT0005617</u>	Pendant with cable 2HS+ES	4,7 m - Yellow - CE	1
3	<u>VT0005618</u>	Pendant with cable 2HS+ES	5,2 m - Yellow - CE	1
3	<u>VT0005619</u>	Pendant with cable 2HS+ES	5,7 m - Yellow - CE	1
4	<u>VT0007837</u>	Branding sticker	VERLINDE	1
5	<u>VT0005064</u>	Contact block	ZB2-BE101	1
6	<u>VT0005066</u>	Contact block	ZB2-BE 102	1
7	<u>VT0006746</u>	Cable	5x1,5 mm <sup>2</sup> - CE	1
8	<u>VT0005108</u>	Pendant connector	14P	1
9	<u>VT0007583</u>	Pendant plug set	ISO	1



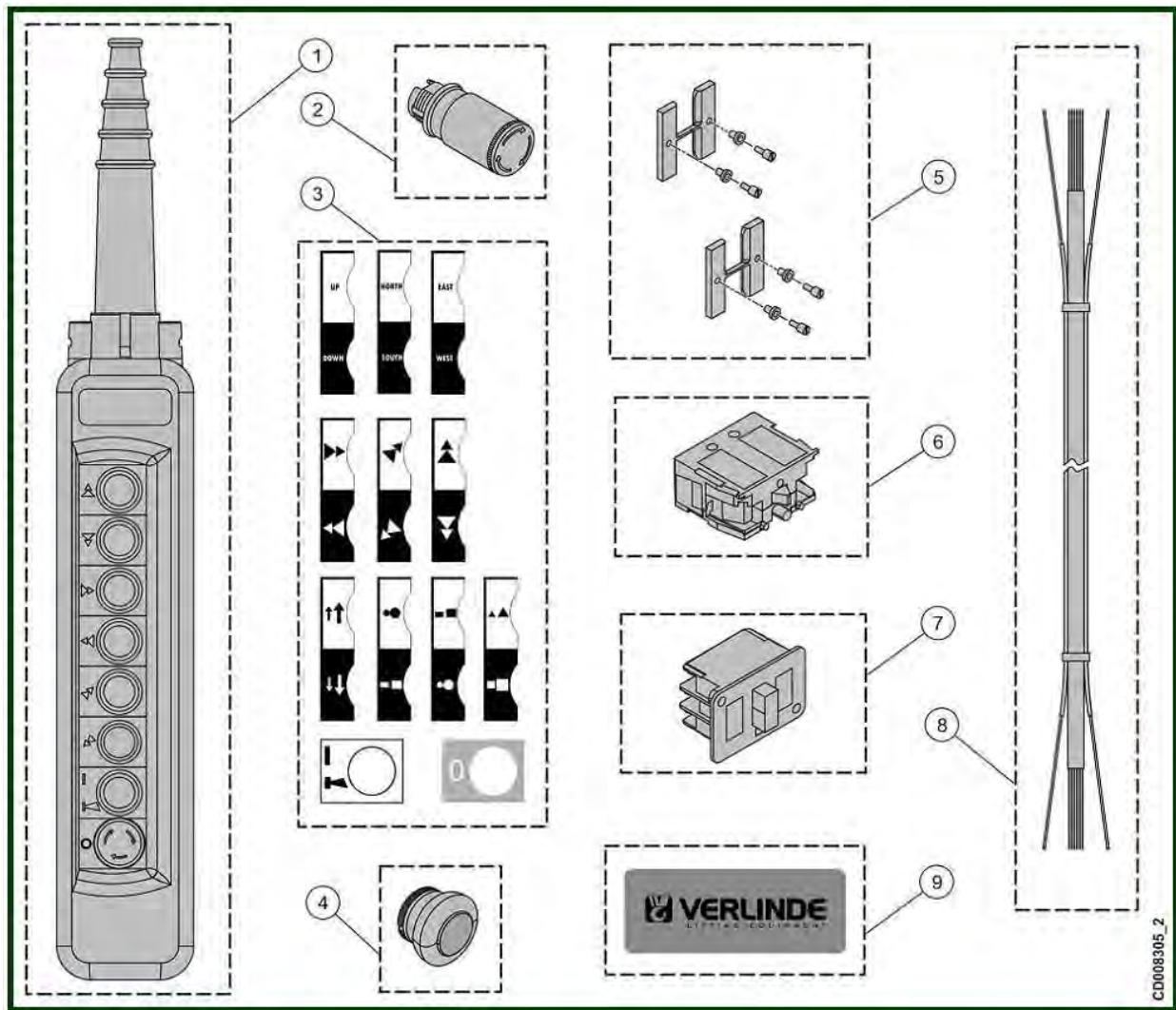
## 6.2. 4 buttons



#### 4 buttons

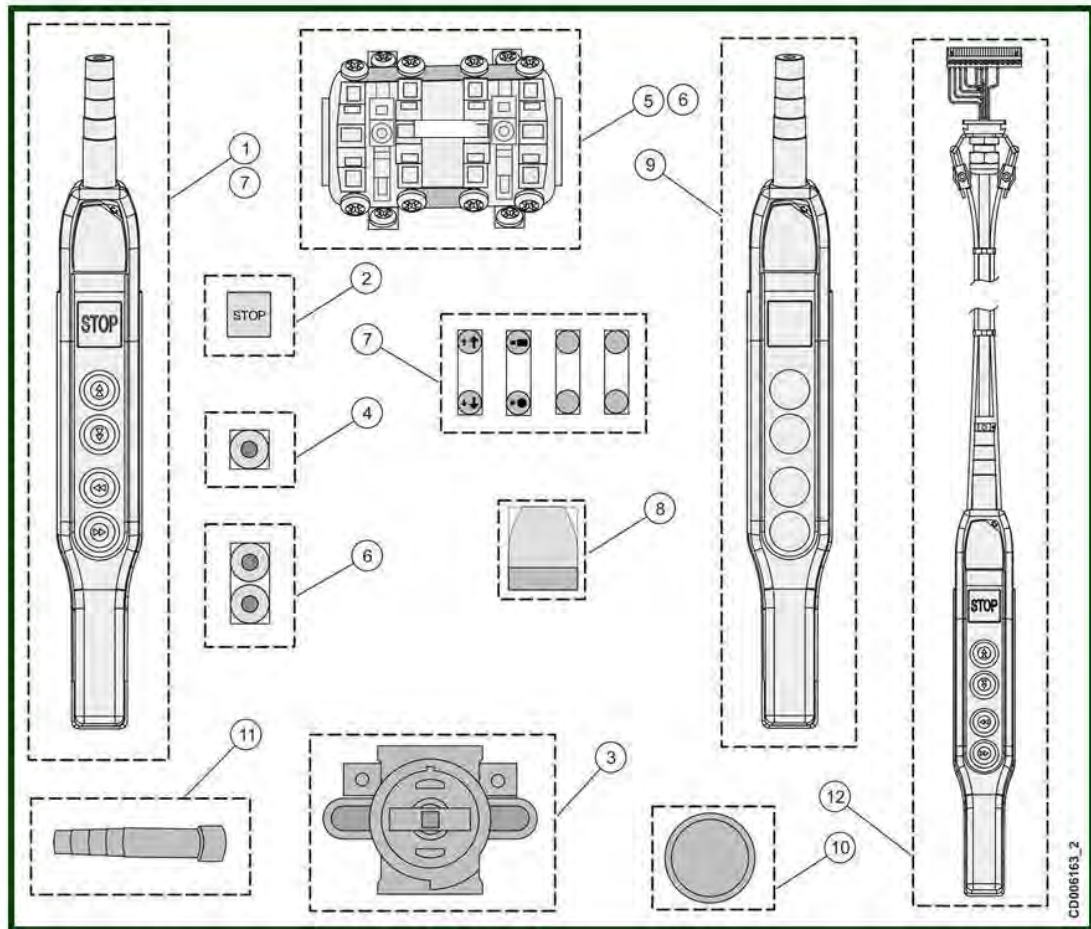
Item	Reference	Description	Observation	Quantity
1	<u>VT0005055</u>	Pendant controller 2HS+2TS+ES	Yellow	1
2	<u>VT0006548</u>	Emergency push button		1
3	<u>VT0007882</u>	Set of direction symbols		1
4	<u>VT0005063</u>	Push button		1
5	<u>VT0005072</u>	Mechanical interlock		2
6	<u>VT0005066</u>	Contact block	ZB2-BE 102	1
7	<u>VT0006059</u>	Pendant with cable 2HS+2TS+ES	4,2 m - Yellow	1
7	<u>VT0006060</u>	Pendant with cable 2HS+2TS+ES	4,7 m - Yellow	1
7	<u>VT0006061</u>	Pendant with cable 2HS+2TS+ES	5,2 m - Yellow	1
7	<u>VT0006062</u>	Pendant with cable 2HS+2TS+ES	5,7 m - Yellow	1
7	<u>VT0006055</u>	Pendant with cable 2HS+2TS+ES	2,2 m - Yellow	1
7	<u>VT0006056</u>	Pendant with cable 2HS+2TS+ES	2,7 m - Yellow	1
7	<u>VT0006057</u>	Pendant with cable 2HS+2TS+ES	3,2 m - Yellow	1
7	<u>VT0006058</u>	Pendant with cable 2HS+2TS+ES	3,7 m - Yellow	1
8	<u>VT0007879</u>	Block contact	XENG1191	1
9	<u>VT0007880</u>	Sticker of brand	VERLINDE	1
10	<u>VT0006747</u>	Cable - 8x1,5mm <sup>2</sup>	meter	1
11	<u>VT0005108</u>	Pendant connector	14P	1
12	<u>VT0007583</u>	Pendant plug set	ISO	1

### 6.3. 6 buttons



Item	Reference	Description	Observation	Quantity
1	<u>VT0005058</u>	Pendant controller 2HS+2TS+2LS+On/Off	Yellow	1
2	<u>VT0006548</u>	Emergency push button		1
3	<u>VT0007882</u>	Set of direction symbols		1
4	<u>VT0005063</u>	Push button		1
5	<u>VT0005072</u>	Mechanical interlock		2
6	<u>VT0005066</u>	Block contact	ZB2-BE 102	1
7	<u>VT0007879</u>	Block contact	XENG1191	1
8	<u>VT0008073</u>	Cable	16x1.52mm <sup>2</sup> - meter	1
8	<u>VT0008074</u>	Cable	20x1.5mm <sup>2</sup> - meter	1
9	<u>VT0007880</u>	Sticker of brand	VERLINDE	1
-	<u>VT0005108</u>	Pendant connector	14P	1

## 6.4. Push button controller - From september 2014



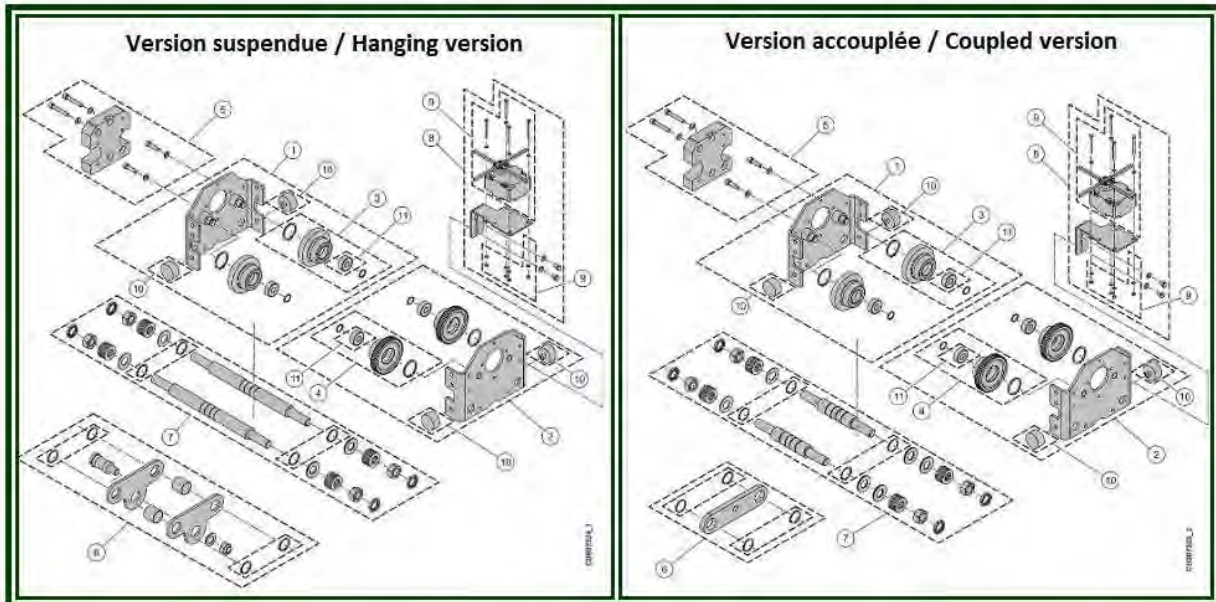
## Push button controller - From september 2014

Item	Reference	Description	Observation	Quantity
1	<u>VT0006495</u>	Push button controller 2 HS+2TS+ES	Yellow - 4 buttons	1
1	<u>VT0006493</u>	Push button controller 2 HS+ES	Yellow - 2 buttons	1
2	<u>VT0006509</u>	Emergency push button		1
3	<u>VT0006510</u>	Emergency stop contact block		1
4	<u>VT0006511</u>	Rubber push button		1
5	<u>VT0006513</u>	Contact block	2 speeds	1
6	<u>VT0006514</u>	Set of 2 push buttons + contact block		1
7	<u>VT0006754</u>	Stickers - Direction symbols	ANSI	1
7	<u>VT0006752</u>	Stickers - Direction symbols	DIN	1
7	<u>VT0006753</u>	Stickers - Direction symbols	FIN-SEN	1
8	<u>VT0006496</u>	Stickers - Brand	VERLINDE	1
9	<u>VT0006515</u>	Pendant housing	Yellow - 2 buttons	1
9	<u>VT0006518</u>	Pendant housing	Yellow - 4 buttons	1
10	<u>VT0006517</u>	Magnet		1
10	<u>VT0006516</u>	Rubber part		1
11	<u>VT0007032</u>	Cable bushing		1
12	<u>VT0006958</u>	Push buttons box + cable + plug 2 HS+ES	2,20 m - Yellow - DIN	1
12	<u>VT0006951</u>	Push buttons box + cable + plug 2 HS+ES	2,70 m - Yellow - DIN	1
12	<u>VT0006952</u>	Push buttons box + cable + plug 2 HS+ES	3,20 m - Yellow - DIN	1
12	<u>VT0006953</u>	Push buttons box + cable + plug 2 HS+ES	3,70 m - Yellow - DIN	1
12	<u>VT0006954</u>	Push buttons box + cable + plug 2 HS+ES	4,20 m - Yellow - DIN	1
12	<u>VT0006955</u>	Push buttons box + cable + plug 2 HS+ES	4,70 m - Yellow - DIN	1
12	<u>VT0006956</u>	Push buttons box + cable + plug 2 HS+ES	5,20 m - Yellow - DIN	1
12	<u>VT0006957</u>	Push buttons box + cable + plug 2 HS+ES	5,70 m - Yellow- DIN	1

Item	Reference	Description	Observation	Quantity
13	<u>VT0006959</u>	Push buttons box + cable + plug 2 HS+2 TS+ES	2,20 m - Yellow- DIN	1
13	<u>VT0006966</u>	Push buttons box + cable + plug 2 HS+2 TS+ES	2,70 m - Yellow- DIN	1
13	<u>VT0006960</u>	Push buttons box + cable + plug 2 HS+2 TS+ES	3,20 m - Yellow- DIN	1
13	<u>VT0006961</u>	Push buttons box + cable + plug 2 HS+2 TS+ES	3,70 m - Yellow- DIN	1
13	<u>VT0006962</u>	Push buttons box + cable + plug 2 HS+2 TS+ES	4,20 m - Yellow- DIN	1
13	<u>VT0006963</u>	Push buttons box + cable + plug 2 HS+2 TS+ES	4,70 m - Yellow- DIN	1
13	<u>VT0006964</u>	Push buttons box + cable + plug 2 HS+2 TS+ES	5,20 m - Yellow- DIN	1
13	<u>VT0006965</u>	Push buttons box + cable + plug 2 HS+2 TS+ES	5,70 m - Yellow- DIN	1

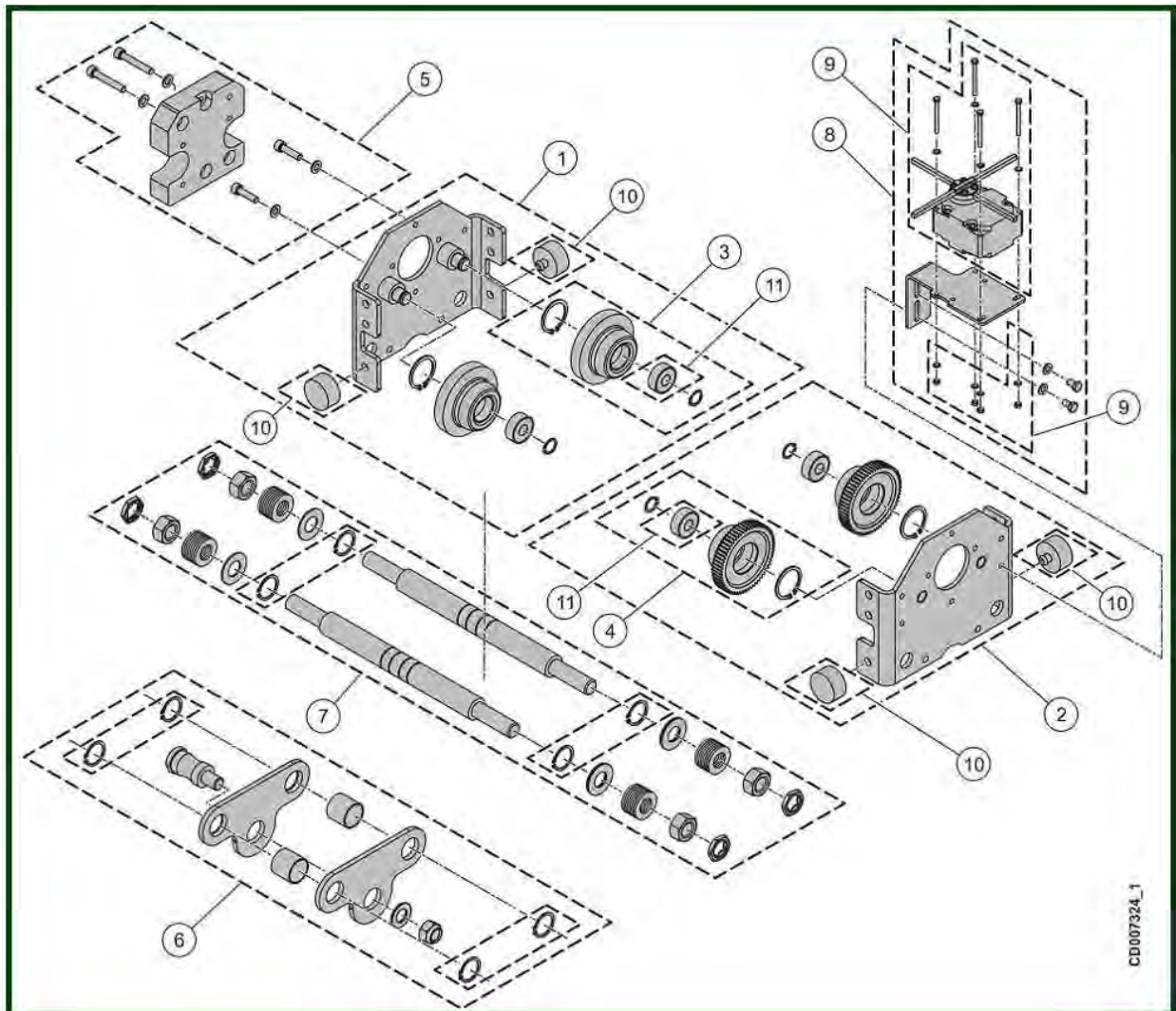
## 7. TROLLEY – NORMAL HEADROOM TROLLEY

HPN



## 7.1. C1 Trolley - 0 to 1000 kg – Hanging version

NHT





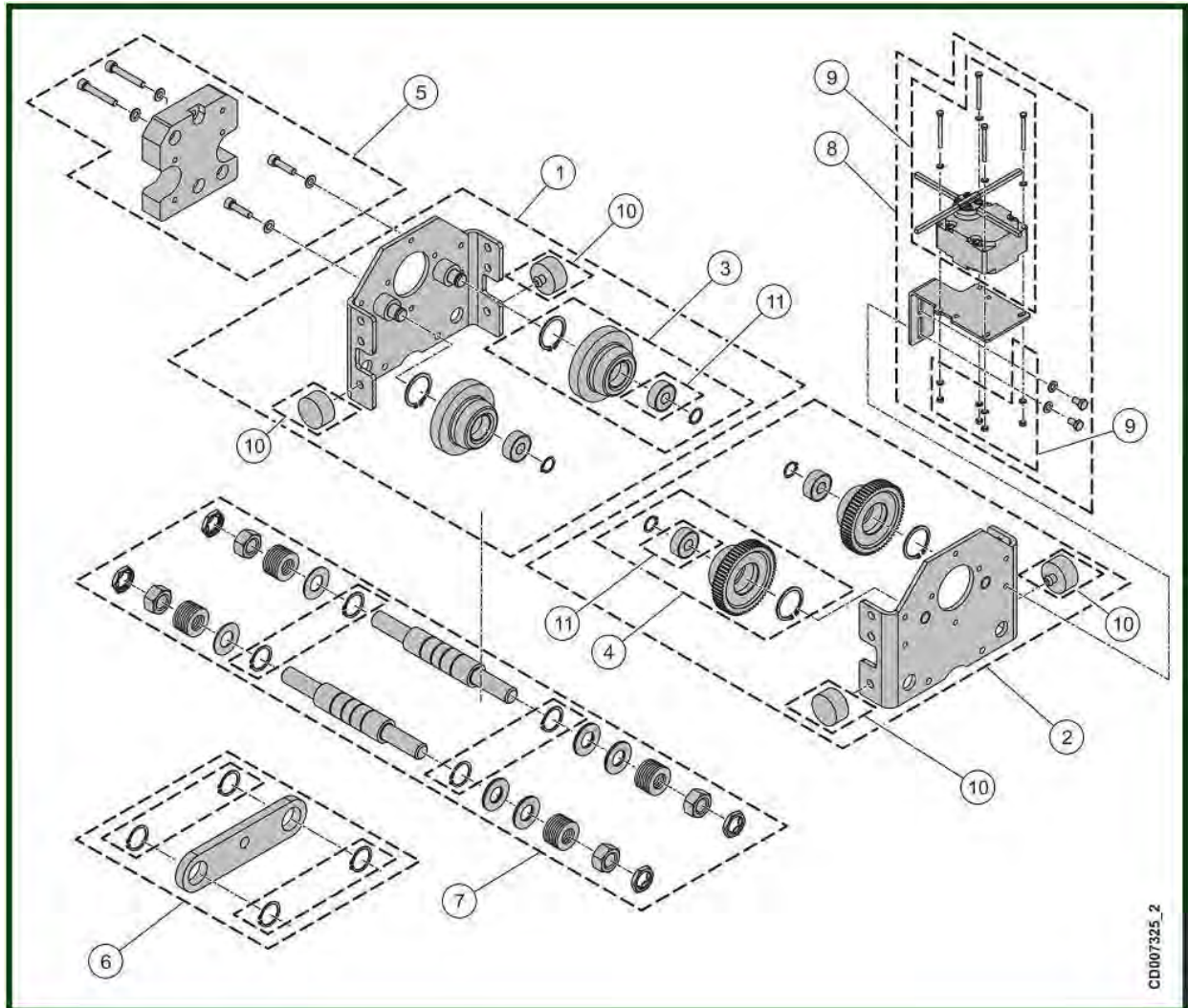
## C1 Trolley - 0 to 1000 kg – Hanging version

NHT

Item	Reference	Description	Observation	Quantity
1	<u>VT0007051</u>	Idler side plate assembly		1
2	<u>VT0007066</u>	Drive side plate assembly		1
3	<u>VT0007061</u>	Complete set of travel wheel without shaft		1
4	<u>VT0007063</u>	Set driving wheel without shaft	∅ 62 - 93 mm	1
5	<u>VT0007062</u>	Set of counter weight		1
6	<u>VT0007064</u>	Coupling part	Hanging version	1
7	<u>VT0007026</u>	Tie rod set beam - 55 to 100 mm	Monobloc tie road since 1999 Hook and coupling suspension	1
7	<u>VT0007027</u>	Tie rod set beam - 106 to 150 mm	Monobloc tie road since 1999 Hook and coupling suspension	1
7	<u>VT0007028</u>	Tie rod set beam - 155 to 200 mm	Monobloc tie road since 1999 Hook and coupling suspension	1
7	<u>VT0007029</u>	Tie rod set beam - 206 to 248 mm	Monobloc tie road since 1999 Hook and coupling suspension	1
7	<u>VT0007030</u>	Tie rod set beam - 260 to 307 mm	Monobloc tie road since 1999 Hook and coupling suspension	1
7	<u>VT0007031</u>	Tie rod set beam - 308 to 310 mm	Monobloc tie road since 1999 Hook and coupling suspension	1
8	<u>VT0007098</u>	Limit switch - 1 step		1
8	<u>VT0008775</u>	Limit switch - 2 steps		1
9	<u>VT0008776</u>	Travelling limit switch assembly 1 step		1
9	<u>VT0008777</u>	Travelling limit switch assembly 2 steps		1
10	<u>VT0009357</u>	Buffer	D40x20 – From C1 Trolley to C5	1
11	<u>VT0007091</u>	Ball Bearing		1

## 7.2. C1 Trolley – 0 to 1000 Kg – Coupled version

NHT



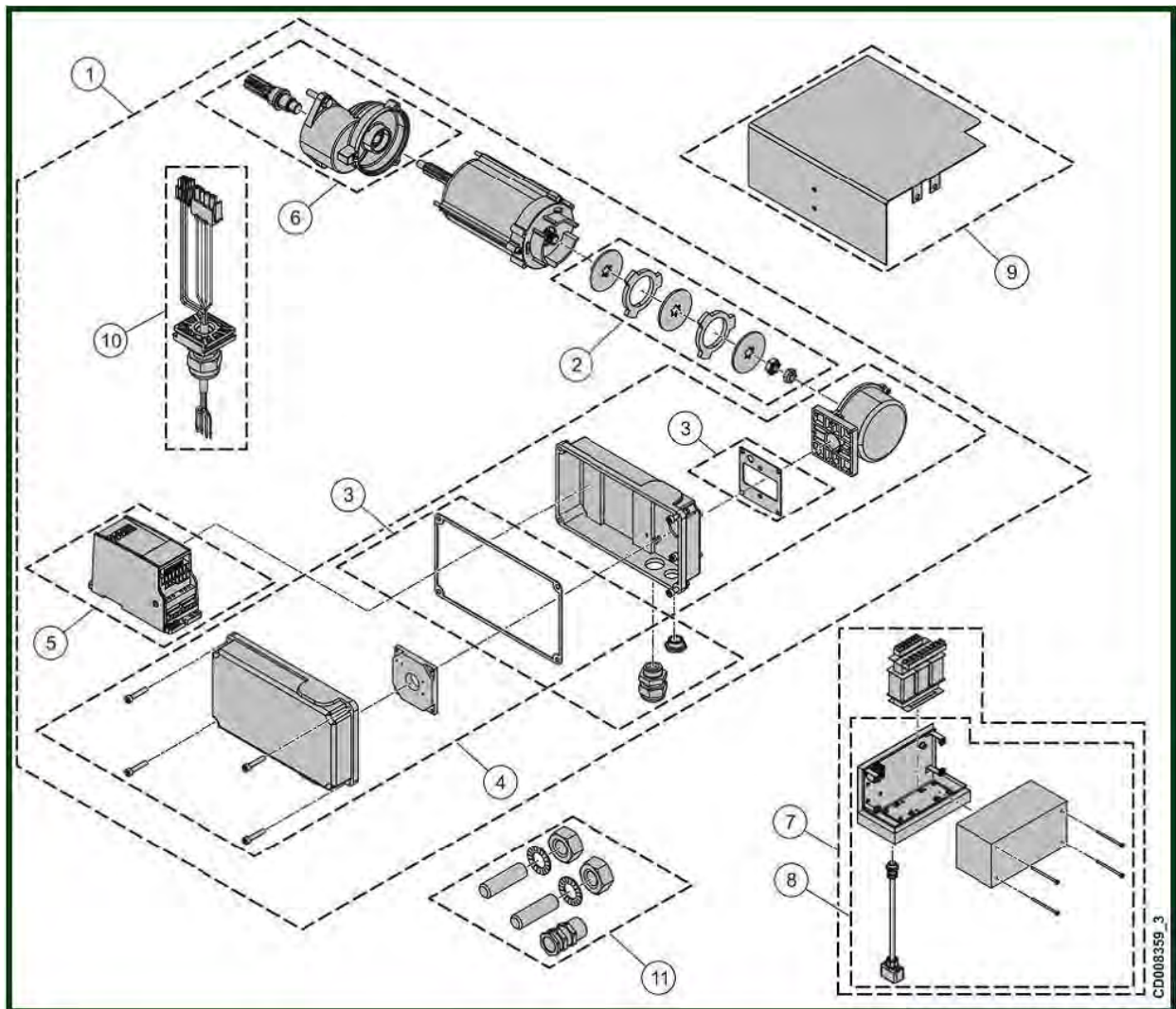
CD007325\_2

## C1 Trolley – 0 to 1000 Kg – Coupled version

NHT

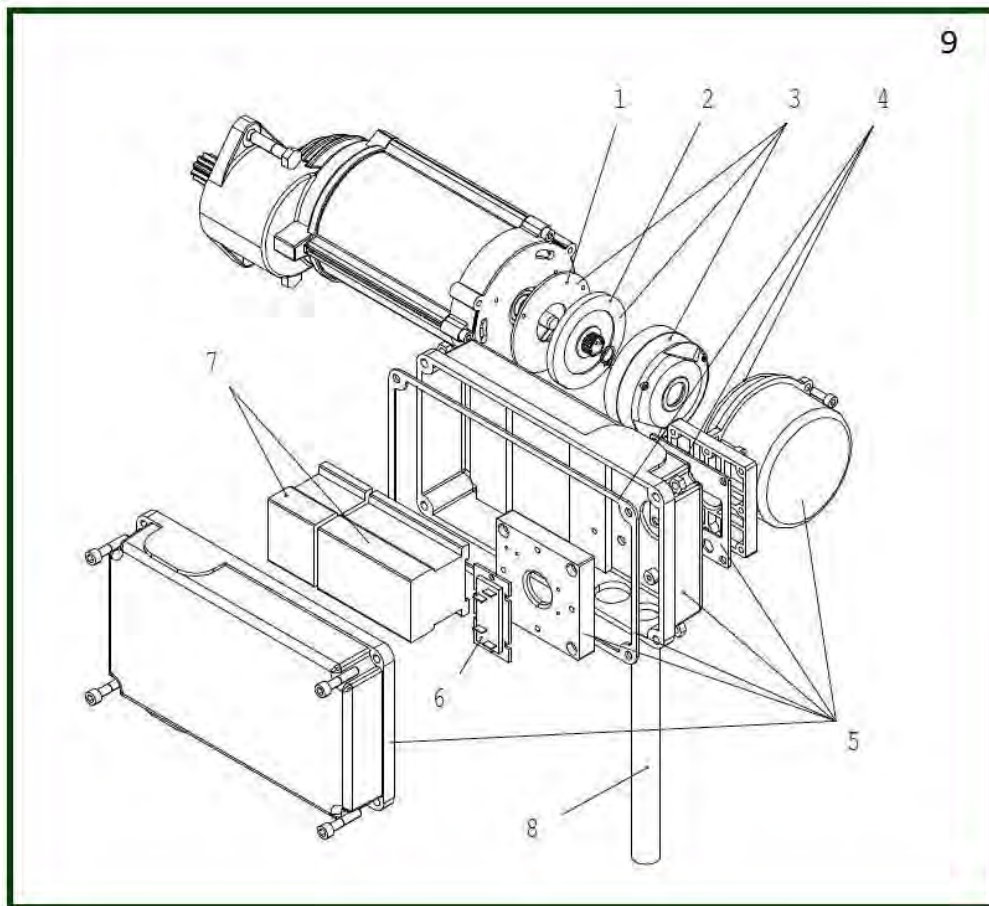
Item	Reference	Description	Observation	Quantity
1	<u>VT0007051</u>	Idler side plate assembly		1
2	<u>VT0007066</u>	Drive side plate assembly		1
3	<u>VT0007061</u>	Complete set of travel wheel without shaft		1
4	<u>VT0007063</u>	Set driving wheel without shaft	Ø 62 - 93 mm	1
5	<u>VT0007062</u>	Set of counter weight		1
6	<u>VT0007065</u>	Cross bar	Coupled version	1
7	<u>VT0007026</u>	Tie rod set beam - 55 to 100 mm	Monobloc tie road since 1999 Hook and coupling suspension	1
7	<u>VT0007027</u>	Tie rod set beam - 106 to 150 mm	Monobloc tie road since 1999 Hook and coupling suspension	1
7	<u>VT0007028</u>	Tie rod set beam - 155 to 200 mm	Monobloc tie road since 1999 Hook and coupling suspension	1
7	<u>VT0007029</u>	Tie rod set beam - 206 to 248 mm	Monobloc tie road since 1999 Hook and coupling suspension	1
7	<u>VT0007030</u>	Tie rod set beam - 260 to 307 mm	Monobloc tie road since 1999 Hook and coupling suspension	1
7	<u>VT0007031</u>	Tie rod set beam - 308 to 310 mm	Monobloc tie road since 1999 Hook and coupling suspension	1
8	<u>VT0007098</u>	Limit switch - 1 step		1
8	<u>VT0008775</u>	Limit switch - 2 steps		1
9	<u>VT0008776</u>	Travelling limit switch assembly - 1 step		1
9	<u>VT0008777</u>	Travelling limit switch assembly - 2 steps		1
10	<u>VT0009357</u>	Buffer	D40x20 - From C1 trolley to C5	1
11	<u>VT0007091</u>	Ball bearing		1

### 7.3. Inverter TMU motor VR hoist



Item	Reference	Description	Observation	Quantity
1	<a href="#">52890308</a>	Travelling machinery - TMU1	42-230V < 1000 Kg	1
1	<a href="#">52890306</a>	Travelling machinery - TMU2	42-230V > 1000 Kg to 2000 kg	1
2	<a href="#">52296293</a>	Brake repair set	M06-001V	1
3	<a href="#">52300292</a>	Sealings set	M06-008V	1
4	<a href="#">52907130</a>	Housing set	M06-022V	1
5	<a href="#">52387783</a>	Inverter VT003 TMK003.380 460V/ ctrl 42 230V	Since January 2015 for motor already equipped of this inverter	1
6	<a href="#">52297191</a>	Reducer	GEL105PT1B0	1
7	<a href="#">52303806</a>	Control panel	T50E-TE07	1
8	<a href="#">53050878</a>	Cover set	UKTM/ALTM-NEW	1
9	<a href="#">52305058</a>	Rain cover	All models C1 to C5	1
10	<a href="#">53110165</a>	Connection cable	TMU 1&2	1
11	<a href="#">52908158</a>	Fixing set		1

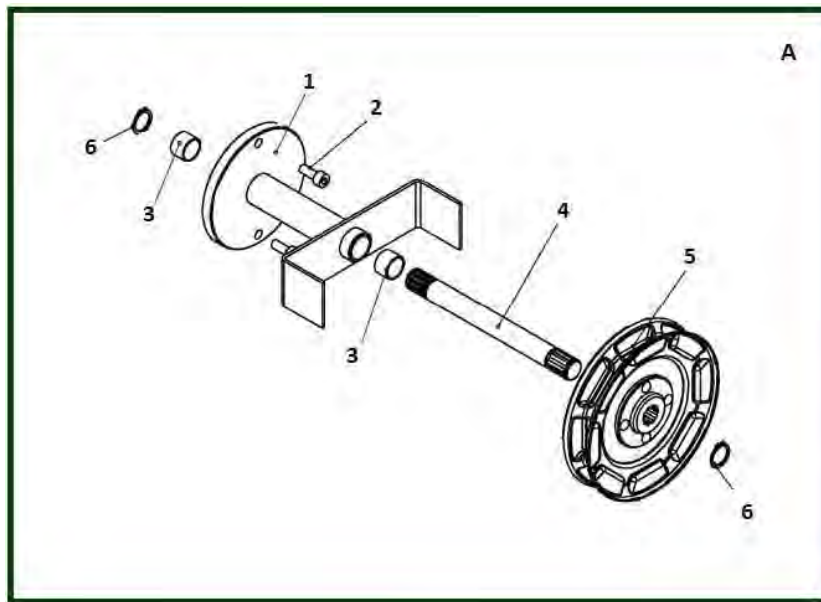
#### 7.4. Two speeds TMU motor for VR hoist



## Two speeds TMU motor for VR hoist

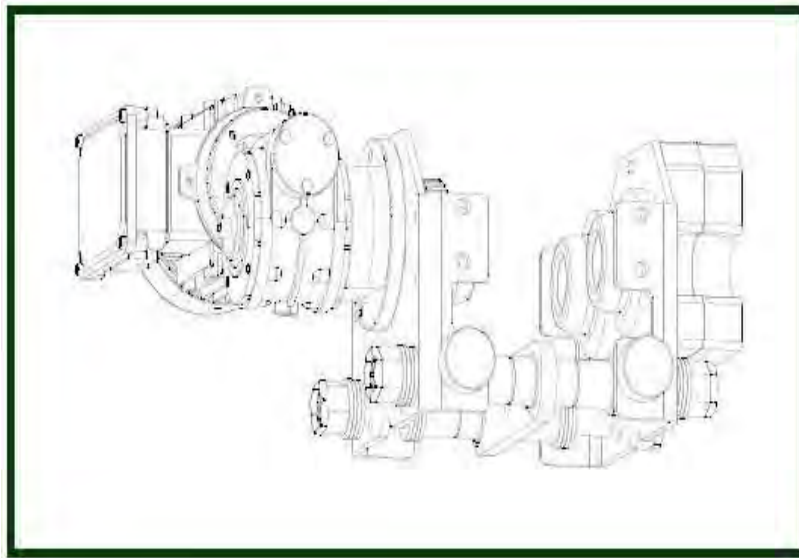
Item	Reference	Description	Observation	Quantity
1	<a href="#">52269590</a>	Friction plate		1
2	<a href="#">52269587</a>	Brake disc		1
3	<a href="#">52318378</a>	Brake disc 180V	MF06MA104	1
3	<a href="#">52318416</a>	Brake disc 240V	MF06MA104	1
3	<a href="#">52318424</a>	Brake disc 290V	MF06MA104	1
4	<a href="#">52300292</a>	Sealings set	M06-008V	1
5	<a href="#">52300291</a>	Terminal box	M06-007V	1
6	<a href="#">15823007</a>	Rectifier	Motor 220V	1
6	<a href="#">15823006</a>	Rectifier	Motor 380 - 550V	1
7	<a href="#">1123052</a>	Reversing contactor	110V	1
7	<a href="#">1113097</a>	Reversing contactor	230V	1
7	<a href="#">1113023</a>	Reversing contactor 400V/48V - LC2ECO9E	(7531023V) Hoisting cross travelling	1
7	<a href="#">1113098</a>	Main contactor KAU	230 V 50/60 Hz	1
7	<a href="#">1113021</a>	Reversing contactor	48V	1
7	<a href="#">1123050</a>	Reversing contactor	110V	1
8	<a href="#">53243829</a>	Connection cable	TMU 1&2	1
9	<a href="#">52782175</a>	TMU motor - 2 speeds	230V/48V 50 Hz	1
9	<a href="#">52782176</a>	TMU motor - 2 speeds	400V/48V 50 Hz	1
9	<a href="#">52782171</a>	TMU motor - 2 speeds	460V/115V 60 Hz - Standard	1
9	<a href="#">52782177</a>	TMU motor - 2 speeds	500V/48V 50 Hz	1
9	<a href="#">52782172</a>	TMU motor - 2 speeds	575V/115V 60 Hz - Standard	1
	<a href="#">52782173</a>	TMU motor - 2 speeds	230V/115V 60 Hz - Standard	1
	<a href="#">52305058</a>	Rain cover	All models C1 to C5	1

## 7.5. Chain travel



Item	Reference	Description	Observation	Quantity
1	<a href="#">52306328</a>	Support		1
2	<a href="#">830905</a>	CHC screw 8x20		1
3	<a href="#">993275</a>	Bearing		1
4	<a href="#">52306329</a>	CHM shaft		1
5	<a href="#">400953</a>	Travelling hand wheel - Ø 165 mm	3,2T	1
6	<a href="#">400052</a>	Circlip 20r		1
	<a href="#">53020194</a>	Hand chain - 5x27.1	9,8 meters	1
	<a href="#">820003</a>	Galvanized hand chain - 5x27,1		1
A	<a href="#">52306332</a>	Chain operated manual travelling	From C1 Trolley to C5	1

## 7.6. Right angle motor

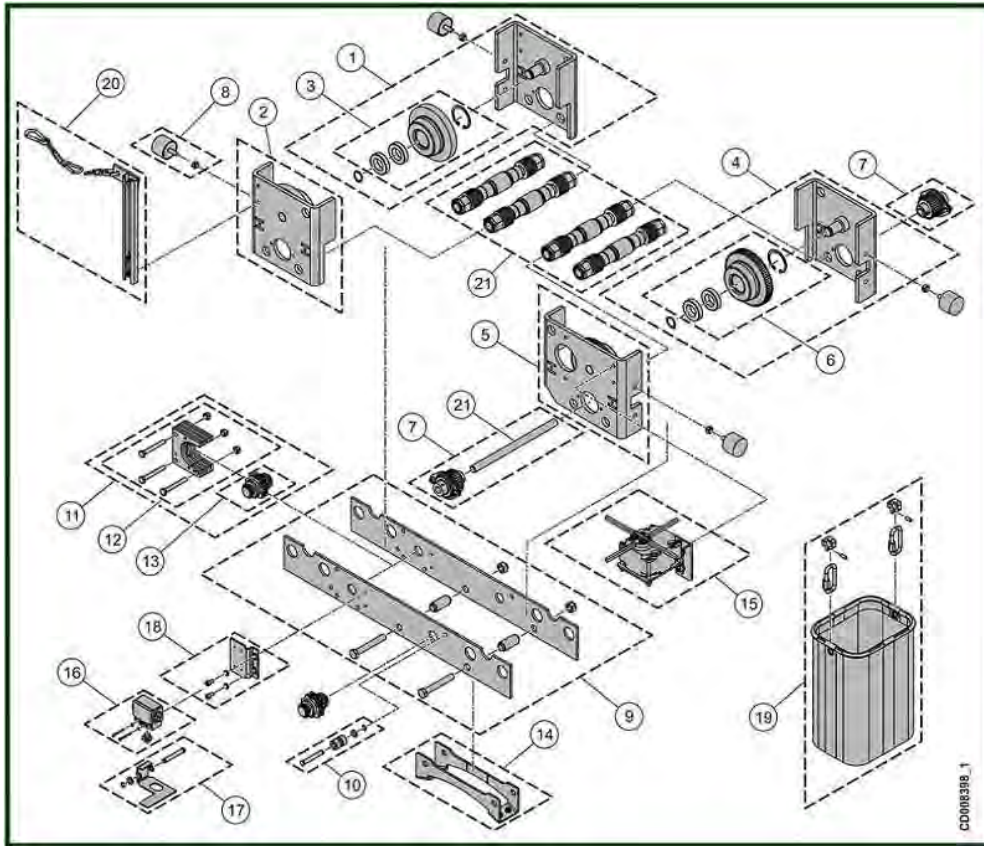


Item	Reference	Description	Observation	Quantity
	<u>551037</u>	Cubicle + Mac 2 pcb		1
	<u>2216904</u>	Adaptation set for right angle travelling machinery	Pinion – Flange - Screws	1
	<u>556972</u>	Right angle travelling machinery	Speed 40 & 10m/min - C1-C2-C3	1
	<u>2133033</u>	CI board	2CS - MAC	1



## 8. LOW HEADROOM TROLLEY

LHT



## Low Headroom Trolley

### LHT

Item	Reference	Description	Observation	Quantity
1	<u>VT0008742</u>	Idle flange		1
2	<u>VT0008743</u>	Idle flange	Motor side	1
3	<u>VT0008961</u>	Travel wheel idle without shaft		2
4	<u>VT0008745</u>	Motor flange		1
5	<u>VT0008746</u>	Motor flange	Motor side	1
6	<u>VT0008963</u>	Travel wheel without shaft		2
7	<u>VT0008748</u>	Gear wheel set - 66 to 112	L232	1
7	<u>VT0008947</u>	Gear wheel set - 113 to 154	L274	1
7	<u>VT0008948</u>	Gear wheel set - 155 to 199	L315	1
7	<u>VT0008949</u>	Gear wheel set - 200 to 259	L362	1
7	<u>VT0008950</u>	Gear wheel set - 260 to 300	L422	1
8	<u>VT0008749</u>	Buffer	D40L50	1
9	<u>VT0008894</u>	Plate set	HPR	1
10	<u>VT0008895</u>	Diabolo set	LHT 5x14	1
12	<u>VT0008966</u>	Sprocket	4x11,7	1
15	<u>VT0008756</u>	Limit switch	1 step	1
16	<u>VT0008892</u>	Limit switch assembly	LHT	1
17	<u>VT0008891</u>	Limit switch activator	LHT	1
18	<u>VT0008893</u>	Fixing set	LHT	1
20	<u>VT0008761</u>	Towing arm	L250	1
20	<u>VT0008762</u>	Towing arm	L450	1
21	<u>VT0008951</u>	Shaft set - 66 to 112	L232	1
21	<u>VT0008952</u>	Shaft set - 113 to 154	L274	1
21	<u>VT0008953</u>	Shaft set - 155 to 199	L315	1
21	<u>VT0008954</u>	Shaft set - 200 to 259	L362	1
21	<u>VT0008955</u>	Shaft set - 260 to 300	L422	1

## 9. CHD MANUAL TROLLEY



Item	Reference	Description	Observation	Quantity
	<u>VT0006536</u>	Buffer	Ø 18mm - 250 kg	4
	<u>VT0006537</u>	Buffer	Ø 24mm - 500 kg	4