

Spare parts catalog for "VR25"

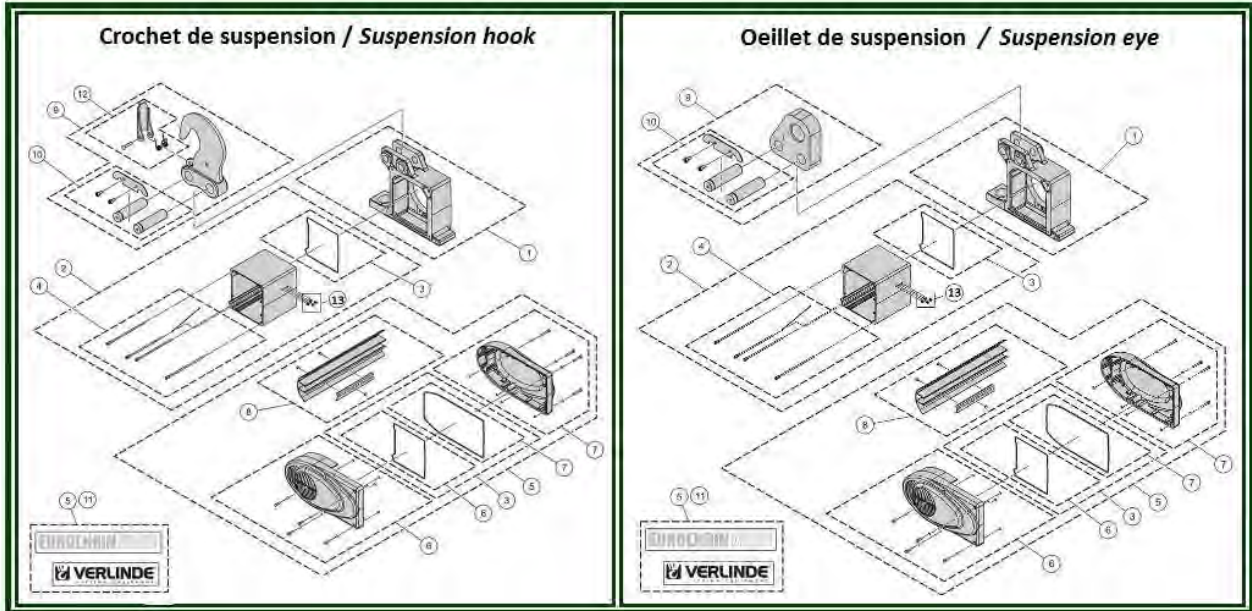
To avoid errors, when ordering please specify:

- Complete type of hoist
- Date of manufacture and serial number
- Spare part code
- Spare part designation
- Additional information

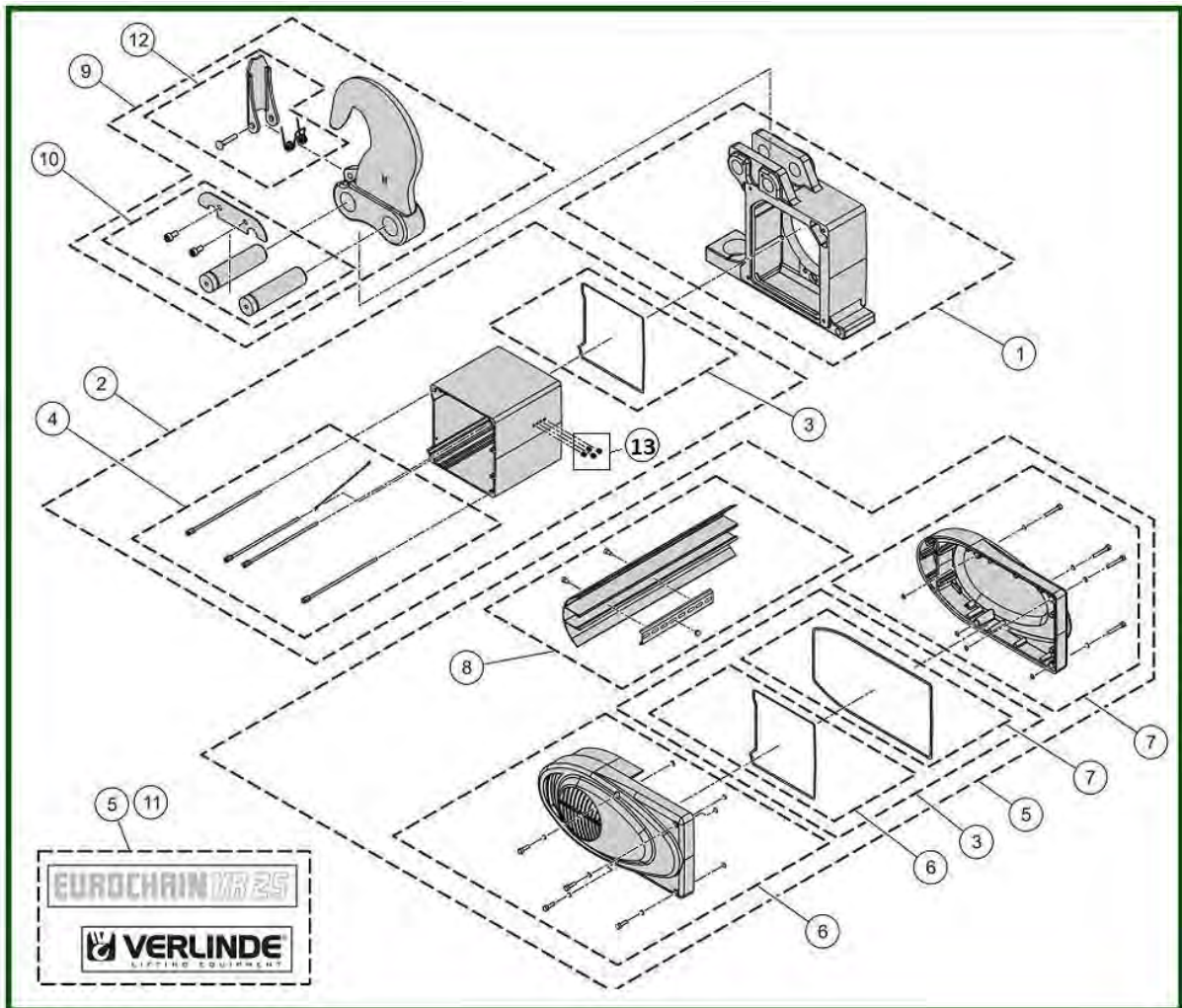


1. FRAME.....	3
1.1. Suspension hook	4
1.2. Suspension eye.....	6
2. CHAIN GUIDE - 11.3x31	8
2.1. Chain guide - 1 fall - Standard limit switch	9
2.2. Chain guide - 1 fall - Gear limit switch.....	11
2.3. Chain guide - 2 falls - Standard limit switch	13
2.4. Chain guide - 2 falls - Gear limit switch	15
3. GEAR	17
3.1. Single brake.....	18
3.2. Double brakes	20
4. MOTOR- Single brake & Double brakes	22
5. ELECTRICAL PARTS.....	24
5.1. Solo equipment – Standard.....	25
5.2. Equipment for crane kit	29
6. PUSH BUTTON CONTROLLER	32
6.1. 2 buttons.....	33
6.2. 4 buttons.....	35
6.3. 6 buttons.....	37
6.4. Push button- From september 2014.....	38
7. NORMAL HEADROOM TROLLEY.....	41
7.1. C3 trolley- 2001 to 3200 kg - Hanging version	42
7.2. C3 trolley- 2001 à 3200 kg - Coupled version.....	44
7.3. C5 trolley- 3200 to 5000 kg - Coupled version	46
7.4. Inverter TMU motor	48
7.5. TMU motor 2 speeds.....	49
7.6. Chain travel	51
7.7. Right angle motor.....	52
8. LOW HEADROOM TROLLEY.....	53
8.1. LHT - 1 fall	54
8.2. LHT - 2 falls.....	57

1. FRAME



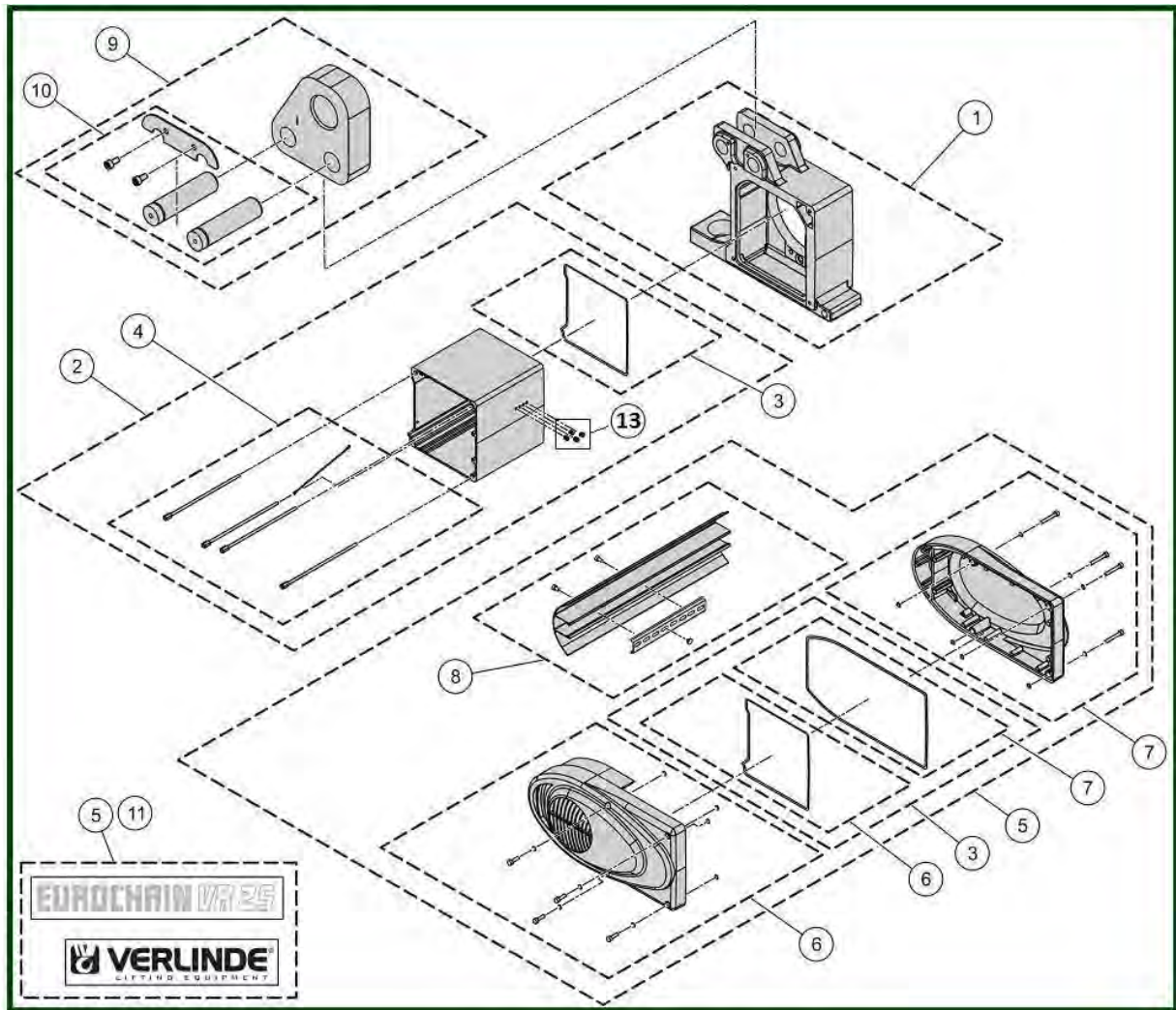
1.1. Suspension hook



Suspension hook

Item	Reference	Description	Observation	Quantity
1	<u>VT0006574</u>	Flange housing	Standard limit switch	1
2	<u>VT0006575</u>	Electrical housing	Standard limit switch	1
3	<u>VT0006576</u>	Sealings set		1
4	<u>VT0006577</u>	Screws set - M6L207		1
5	<u>VT0007820</u>	Cover	Double brakes- VERLINDE	1
5	<u>VT0006578</u>	Cover	Single brake- VERLINDE	1
6	<u>VT0006579</u>	Cover set - Motor side	VERLINDE	1
7	<u>VT0006580</u>	Cover set - Brake side	VERLINDE	1
8	<u>VT0006581</u>	Cover set - Front side	VERLINDE	1
9	<u>VT0006583</u>	Suspension hook		1
10	<u>VT0006584</u>	Fixing set		1
11	<u>VT0006585</u>	Stickers of brand	VERLINDE	1
12	<u>VT0005902</u>	Safety latch		1
13	<u>VT0006090</u>	Set of 4 plugs	OPTION: Gear Limit Switch	1
	<u>VT0006050</u>	Set of 10 load plates - Hoist	1000 Kg	1
	<u>VT0006051</u>	Set of 10 load plates - Hoist	1250 Kg	1
	<u>VT0006052</u>	Set of 10 load plates - Hoist	1600 Kg	1
	<u>VT0006053</u>	Set of 10 load plates - Hoist	2000 Kg	1
	<u>VT0006054</u>	Set of 10 load plates - Hoist	2500 Kg	1
	<u>VT0007817</u>	Set of 10 load plates - Hoist	3200 Kg	1
	<u>VT0007818</u>	Set of 10 load plates - Hoist	4000 Kg	1
	<u>VT0007819</u>	Set of 10 load plates - Hoist	5000 Kg	1
	<u>VT0006026</u>	Identification plate	Serial number request	1
	<u>VT0007637</u>	Rain cover		1

1.2. Suspension eye

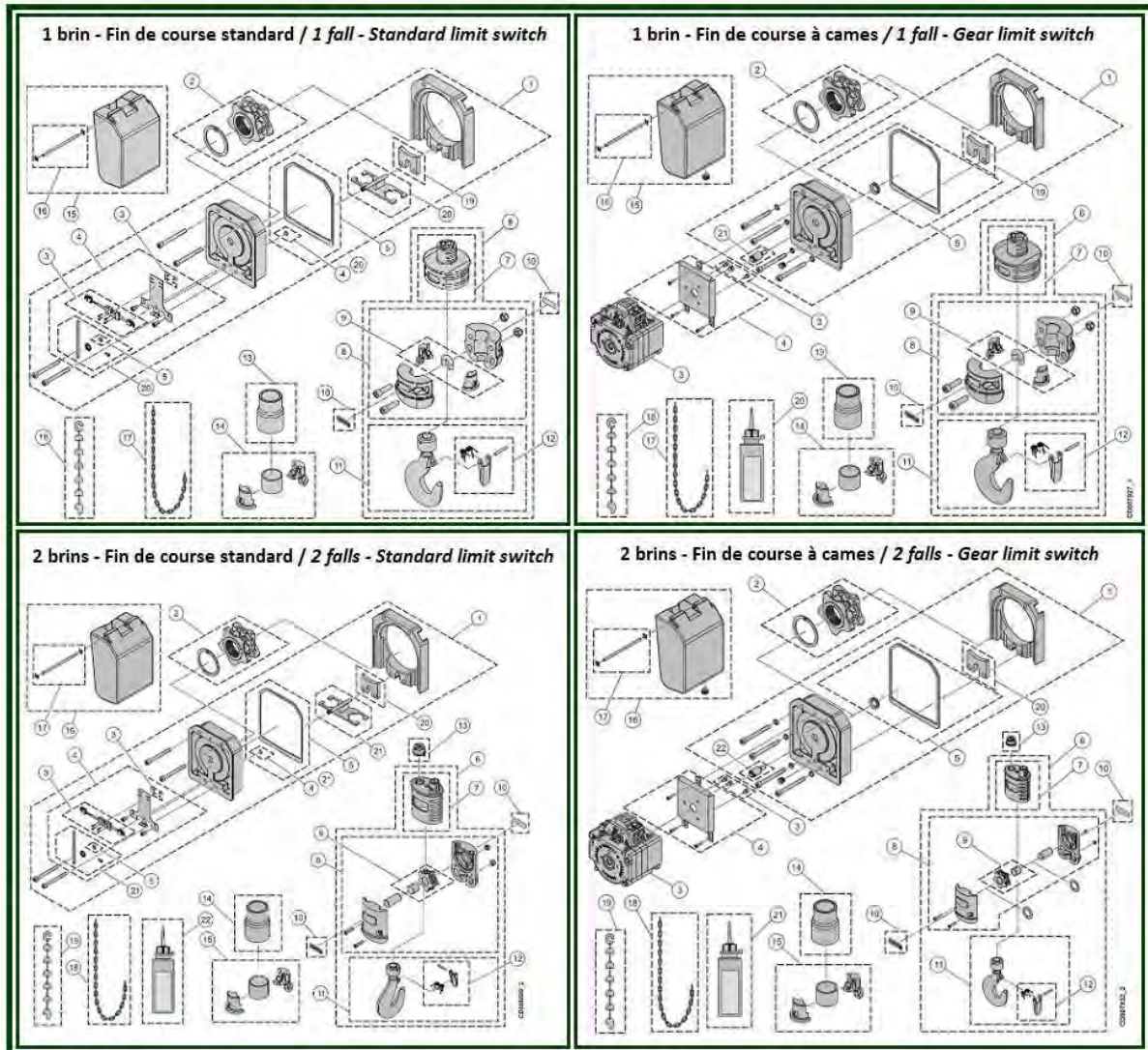


Suspension eye

Item	Reference	Description	Observation	Quantity
1	<u>VT0006574</u>	Flange housing	Standard limit switch	1
2	<u>VT0006575</u>	Electrical housing	Standard limit switch	1
3	<u>VT0006576</u>	Sealings set		1
4	<u>VT0006577</u>	Screws set - M6L207		1
5	<u>VT0007820</u>	Cover	Double brakes- VERLINDE	1
5	<u>VT0006578</u>	Cover	Single brake- VERLINDE	1
6	<u>VT0006579</u>	Cover set - Motor side	VERLINDE	1
7	<u>VT0006580</u>	Cover set - Brake side	VERLINDE	1
8	<u>VT0006581</u>	Cover set - Front side	VERLINDE	1
9	<u>VT0006582</u>	Suspension eye		1
10	<u>VT0006584</u>	Fixing set		1
11	<u>VT0006585</u>	Stickers of brand	VERLINDE	1
13	<u>VT0006090</u>	Set of 4 plugs	OPTION: Gear Limit Switch	1
	<u>VT0006050</u>	Set of 10 load plates - Hoist	1000 Kg	1
	<u>VT0006051</u>	Set of 10 load plates - Hoist	1250 Kg	1
	<u>VT0006052</u>	Set of 10 load plates - Hoist	1600 Kg	1
	<u>VT0006053</u>	Set of 10 load plates - Hoist	2000 Kg	1
	<u>VT0006054</u>	Set of 10 load plates - Hoist	2500 Kg	1
	<u>VT0007817</u>	Set of 10 load plates - Hoist	3200 Kg	1
	<u>VT0007818</u>	Set of 10 load plates - Hoist	4000 Kg	1
	<u>VT0007819</u>	Set of 10 load plates - Hoist	5000 Kg	1
	<u>VT0006026</u>	Identification plate	Serial number request	1
	<u>VT0007637</u>	Rain cover		1

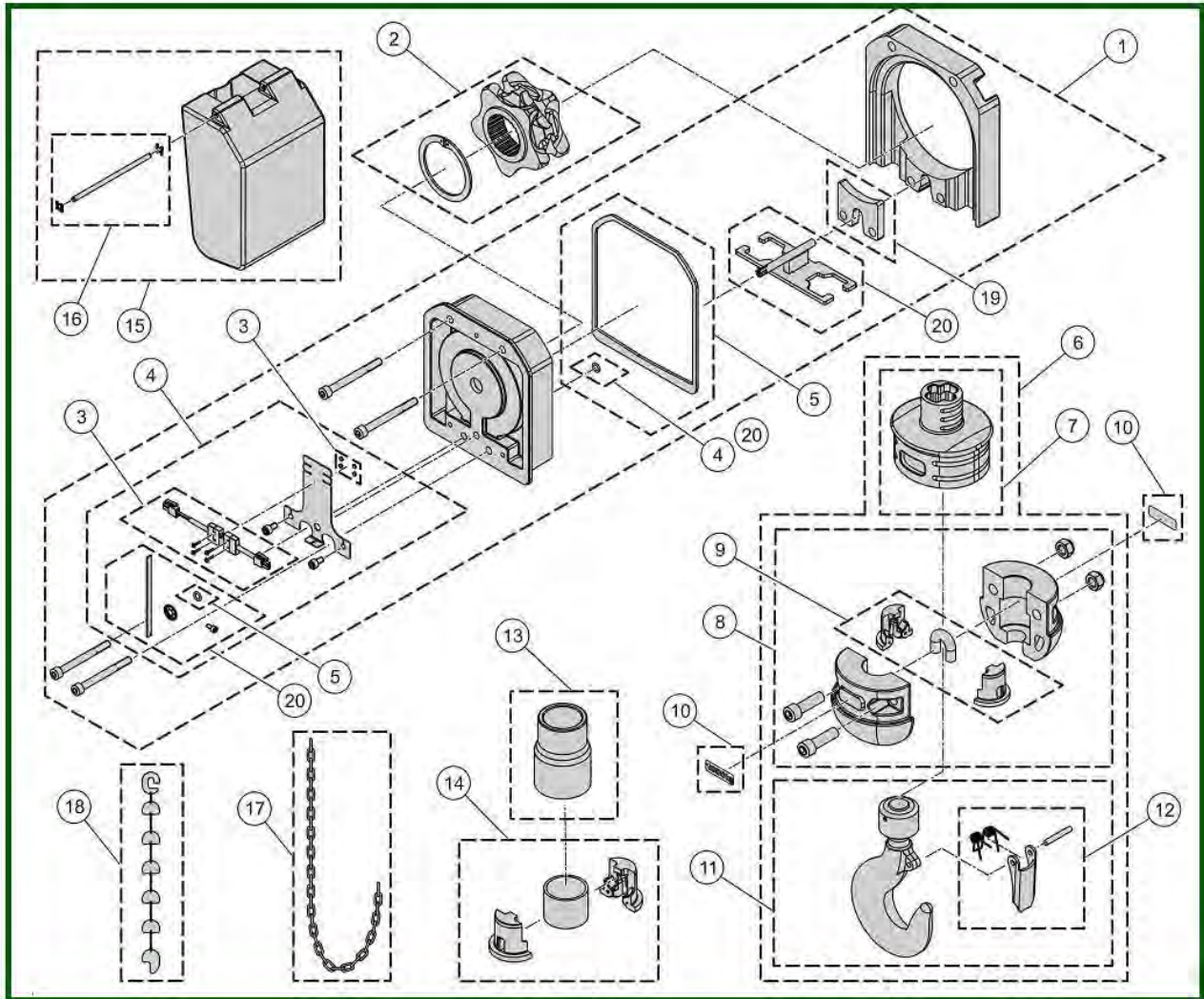
2. CHAIN GUIDE - 11.3x31

It is not possible to fit MS & GLS together



2.1. Chain guide - 1 fall - Standard limit switch

Chain 11.3x31

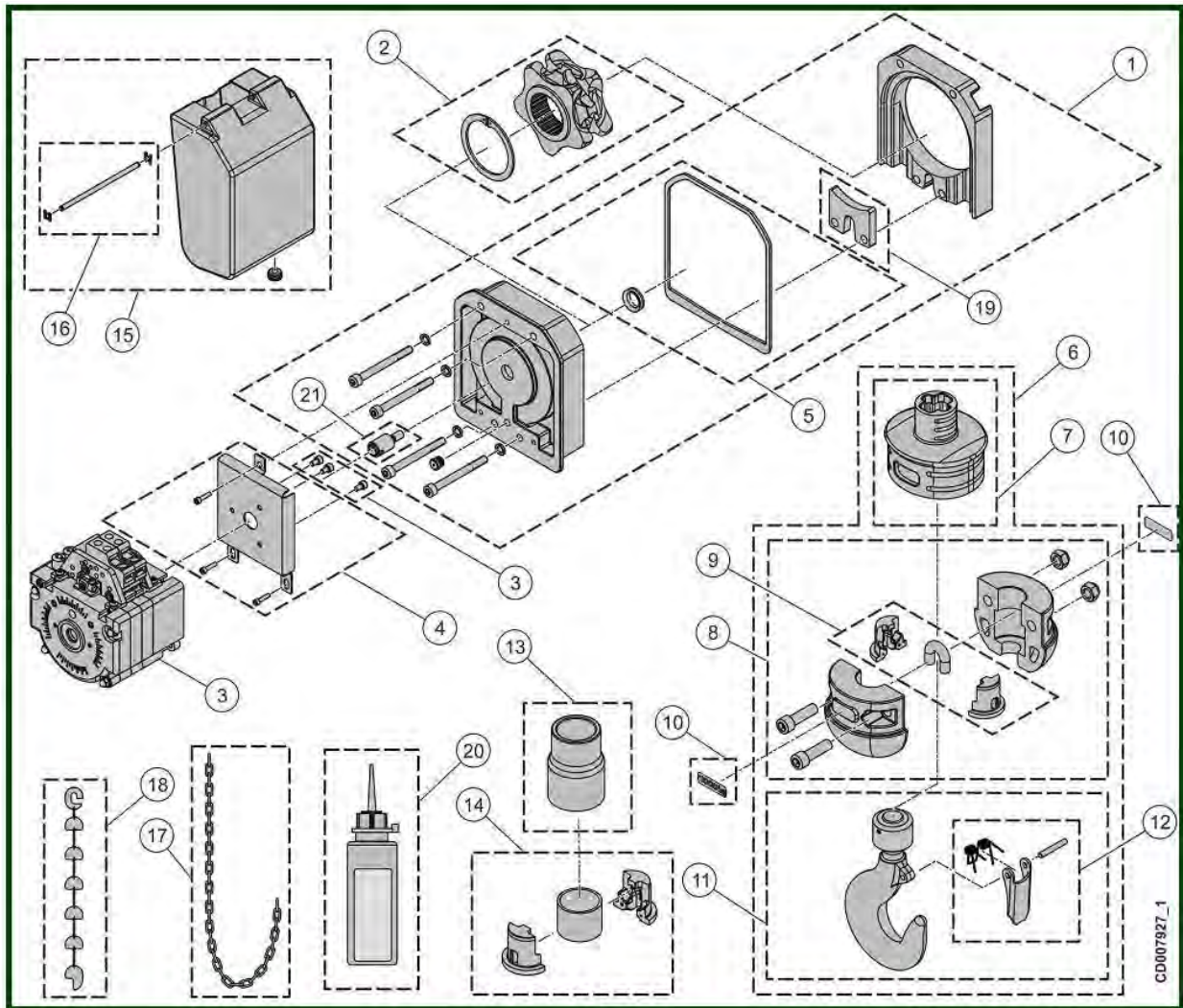


Chain guide - 1 fall - Standard limit switch

Item	Reference	Description	Observation	Quantity
1	<u>VT0006586</u>	Chain guide - Chain 11.3x31	Standard limit switch	1
2	<u>VT0006587</u>	Chain sprocket		1
3	<u>VT0006588</u>	Switch set		1
4	<u>VT0006589</u>	Limit switch activator		1
5	<u>VT0006590</u>	Sealings set		1
6	<u>VT0007821</u>	Hook block - 1 fall	Automatic hook	1
6	<u>VT0006591</u>	Hook block - 1 fall	Standard hook assembly	1
7	<u>VT0006592</u>	Rubber chain stop	L120W108H95	1
8	<u>VT0006593</u>	Half casing set		1
9	<u>VT0006594</u>	Shaft		1
10	<u>VT0006595</u>	Set of 10 load plates - Hook	800 Kg	1
10	<u>VT0006596</u>	Set of 10 load plates - Hook	1000 Kg	1
10	<u>VT0006597</u>	Set of 10 load plates - Hook	1600 Kg	1
10	<u>VT0006598</u>	Set of 10 load plates - Hook	2000 Kg	1
10	<u>VT0006599</u>	Set of 10 load plates - Hook	2500 Kg	1
11	<u>VT0006519</u>	Automatic hook assembly	BKT-10-10	1
11	<u>VT0006600</u>	Standard hook assembly		1
12	<u>VT0005902</u>	Safety latch		1
13	<u>VT0006601</u>	Rubber chain stop		1
14	<u>VT0006602</u>	Chain stop		1
15	<u>VT0006603</u>	Chain bucket	12 m	1
15	<u>VT0007223</u>	Chain bucket	30 m	1
15	<u>VT0007822</u>	Chain bucket	50 m	1
16	<u>VT0006604</u>	Fixing set - Chain bucket	12 m	1
16	<u>VT0007049</u>	Fixing set - Chain bucket	30 m-50 m	1
17	<u>VT0006605</u>	Galvanized chain 11.3x31		1
17	<u>VT0009329</u>	Stainless steel chain 11.3x31		1
18	<u>VT0006606</u>	Chain tools		1
19	<u>VT0006607</u>	Ejector		1
20	<u>VT0006608</u>	Activator set		1
21	<u>VT0006025</u>	Oil can		1

2.2. Chain guide - 1 fall - Gear limit switch

Chain 11.3x31

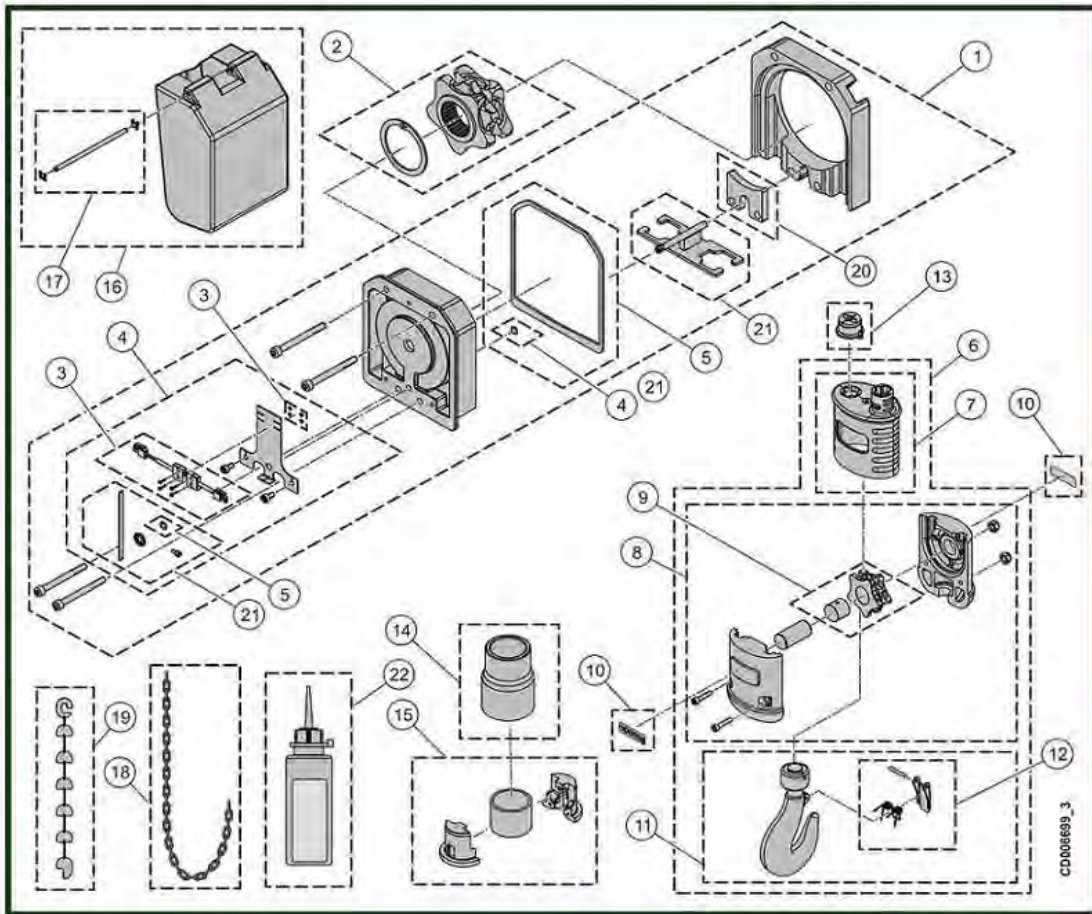


Chain guide - 1 fall - Gear limit switch

Item	Reference	Description	Observation	Quantity
1	<u>VT0008046</u>	Chain guide - Chain 11.3x31	Gear limit switch	1
2	<u>VT0006587</u>	Chain sprocket		1
3	<u>VT0006113</u>	Rotating limit switch - 2 steps	56m: 1 fall - 28m: 2 falls	1
3	<u>VT0006252</u>	Rotating limit switch - 4 steps	56m: 1 fall - 28m: 2 falls	1
4	<u>VT0008047</u>	Limit switch activator		1
5	<u>VT0008048</u>	Sealings set		1
6	<u>VT0007821</u>	Hook block - 1 fall	Automatic hook	1
6	<u>VT0006591</u>	Hook block - 1 fall	Standard hook assembly	1
7	<u>VT0006592</u>	Rubber chain stop	L120W108H95	1
8	<u>VT0006593</u>	Half casing set		1
9	<u>VT0006594</u>	Shaft		1
10	<u>VT0006595</u>	Set of 10 load plates - Hook	800 Kg	1
10	<u>VT0006596</u>	Set of 10 load plates - Hook	1000 Kg	1
10	<u>VT0006597</u>	Set of 10 load plates - Hook	1600 Kg	1
10	<u>VT0006598</u>	Set of 10 load plates - Hook	2000 Kg	1
10	<u>VT0006599</u>	Set of 10 load plates - Hook	2500 Kg	1
11	<u>VT0006519</u>	Automatic hook assembly	BKT-10-10	1
11	<u>VT0006600</u>	Standard hook assembly		1
12	<u>VT0005902</u>	Safety latch		1
13	<u>VT0006601</u>	Rubber chain stop		1
14	<u>VT0006602</u>	Chain stop		1
15	<u>VT0006603</u>	Chain bucket	12 m	1
15	<u>VT0007223</u>	Chain bucket	30 m	1
15	<u>VT0007822</u>	Chain bucket	50 m	1
16	<u>VT0006604</u>	Fixing set - Chain bucket	12 m	1
16	<u>VT0007049</u>	Fixing set - Chain bucket	30 m - 50 m	1
17	<u>VT0006605</u>	Galvanized chain 11.3x31		1
17	<u>VT0009329</u>	Stainless steel chain 11.3x31		1
18	<u>VT0006606</u>	Chain tools		1
19	<u>VT0006607</u>	Ejector		1
20	<u>VT0006025</u>	Oil can		1
21	<u>VT0008045</u>	Geared limit switch		1

2.3. Chain guide - 2 falls - Standard limit switch

Chain 11.3x31



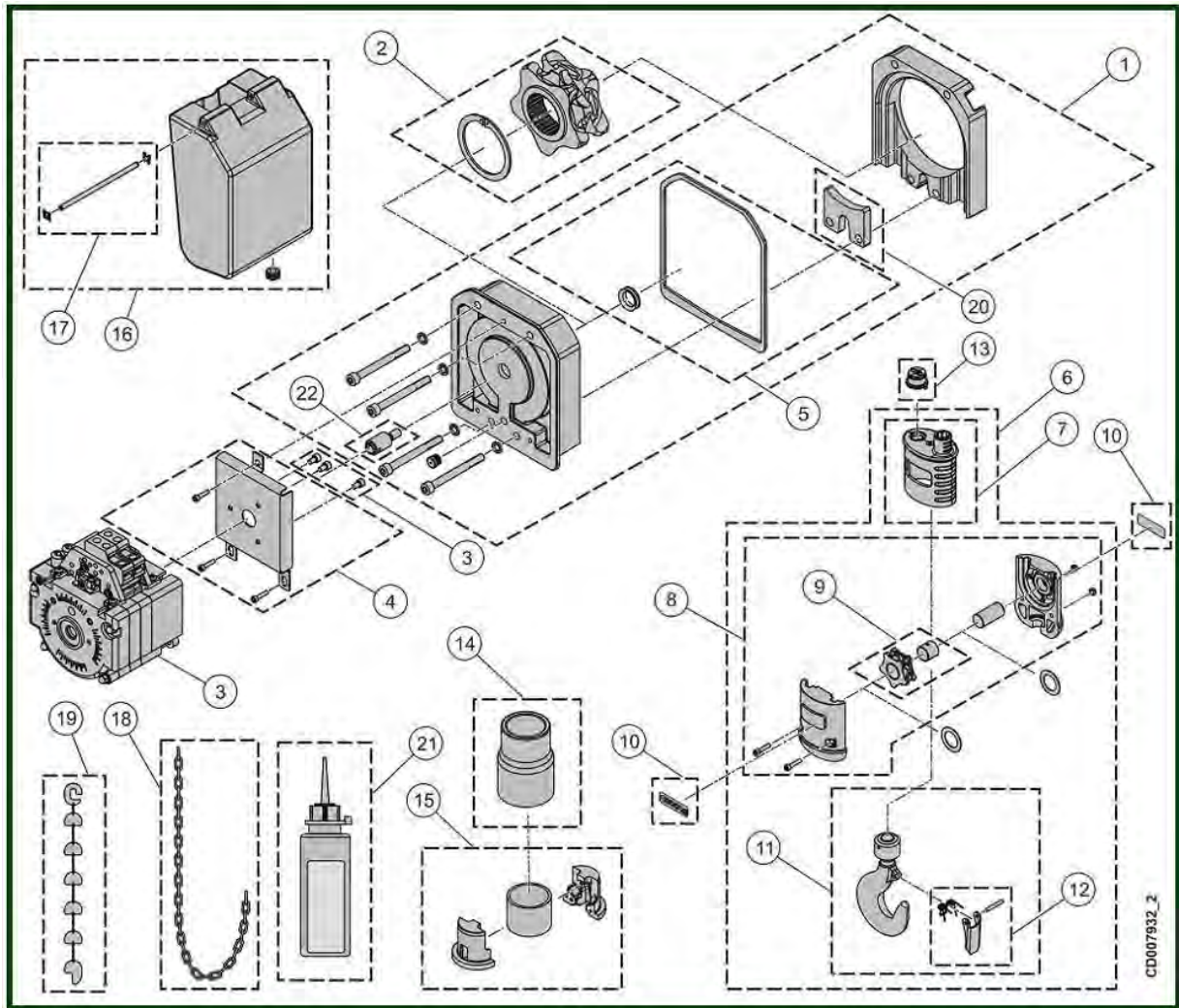
Chain guide - 2 falls - Standard limit switch

Chain 11.3x31

Item	Reference	Description	Observation	Quantity
1	<u>VT0006586</u>	Chain guide - Chain 11.3x31	Standard limit switch	1
2	<u>VT0006587</u>	Chain sprocket		1
3	<u>VT0006588</u>	Switch set		1
4	<u>VT0006589</u>	Limit switch activator		1
5	<u>VT0006590</u>	Sealings set		1
6	<u>VT0007823</u>	Hook block - 2 falls	Automatic hook	1
6	<u>VT0006609</u>	Hook block - 2 falls	Standard hook assembly	1
7	<u>VT0006610</u>	Rubber chain stop		1
8	<u>VT0006611</u>	Half casing set		1
9	<u>VT0006612</u>	Chain sprocket		1
10	<u>VT0007824</u>	Set of 10 load plates - Hook	3200 Kg	1
10	<u>VT0007825</u>	Set of 10 load plates - Hook	4000 Kg	1
10	<u>VT0007826</u>	Set of 10 load plates - Hook	5000 Kg	1
11	<u>VT0007832</u>	Automatic hook assembly		1
11	<u>VT0006613</u>	Standard hook assembly		1
12	<u>VT0005902</u>	Safety latch		1
13	<u>VT0006614</u>	Fixing module		1
14	<u>VT0006601</u>	Rubber chain stop		1
15	<u>VT0006602</u>	Chain stop		1
16	<u>VT0006603</u>	Chain bucket	12 m	1
16	<u>VT0007223</u>	Chain bucket	30 m	1
16	<u>VT0007822</u>	Chain bucket	50 m	1
17	<u>VT0006604</u>	Fixing set - Chain bucket	12 m	1
17	<u>VT0007049</u>	Fixing set - Chain bucket	30 m-50 m	1
18	<u>VT0006605</u>	Galvanized chain 11.3x31		1
18	<u>VT0009329</u>	Stainless steel chain 11.3x31		1
19	<u>VT0006606</u>	Chain tools		1
20	<u>VT0006607</u>	Ejector		1
21	<u>VT0006608</u>	Activator set		1
22	<u>VT0006025</u>	Oil can		1

2.4. Chain guide - 2 falls - Gear limit switch

Chain 11.3x31



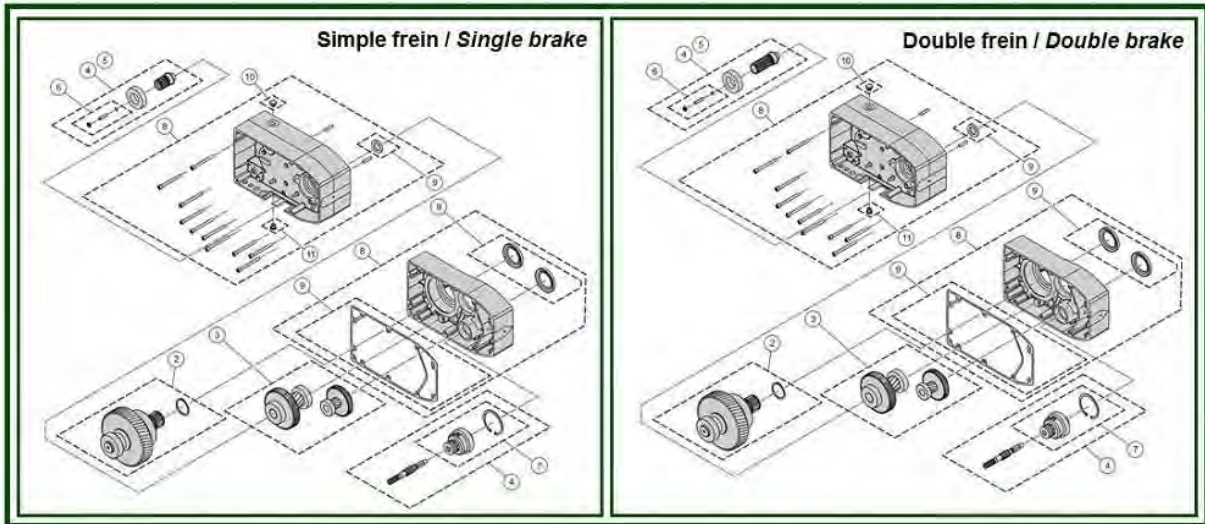
CD007932_2

Chain guide - 2 falls - Gear limit switch

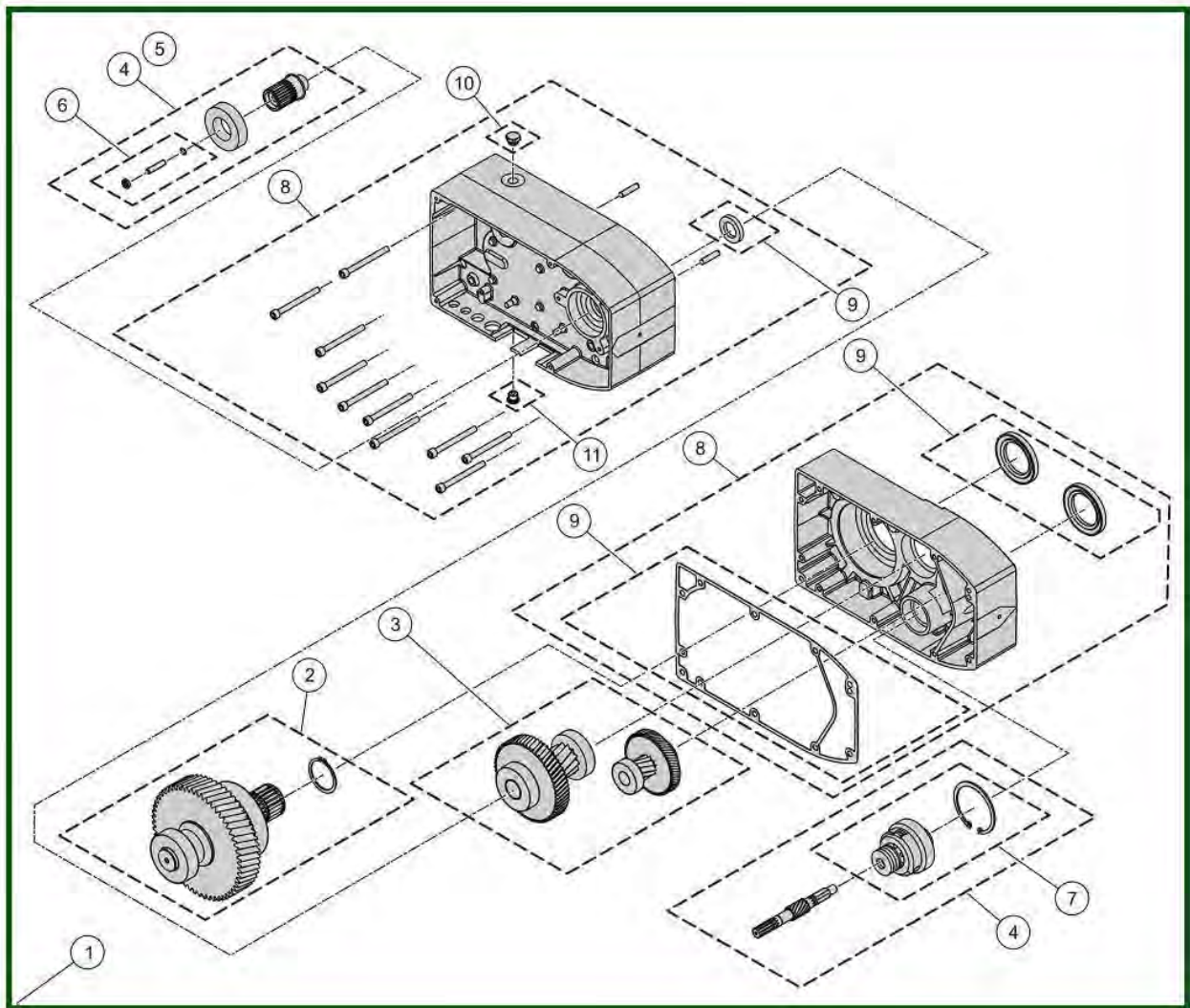
Chain 11.3x31

Item	Reference	Description	Observation	Quantity
1	<u>VT0008046</u>	Chain guide - Chain 11.3x31	Gear limit switch	1
2	<u>VT0006587</u>	Chain sprocket		1
3	<u>VT0006113</u>	Rotating limit switch - 2 steps	56m: 1 fall - 28m: 2 falls	1
3	<u>VT0006252</u>	Rotating limit switch - 4 steps	56m: 1 fall - 28m: 2 falls	1
4	<u>VT0008047</u>	Limit switch activator		1
5	<u>VT0008048</u>	Sealings set		1
6	<u>VT0007823</u>	Hook block - 2 falls	Automatic hook	1
6	<u>VT0006609</u>	Hook block - 2 falls	Standard hook assembly	1
7	<u>VT0006610</u>	Rubber chain stop		1
8	<u>VT0006611</u>	Half casing set		1
9	<u>VT0006612</u>	Chain sprocket		1
10	<u>VT0007824</u>	Set of 10 load plates - Hook	3200 Kg	1
10	<u>VT0007825</u>	Set of 10 load plates - Hook	4000 Kg	1
10	<u>VT0007826</u>	Set of 10 load plates - Hook	5000 Kg	1
11	<u>VT0007832</u>	Automatic hook assembly		1
11	<u>VT0006613</u>	Standard hook assembly		1
12	<u>VT0005902</u>	Safety latch		1
13	<u>VT0006614</u>	Fixing module		1
14	<u>VT0006601</u>	Rubber chain stop		1
15	<u>VT0006602</u>	Chain stop		1
16	<u>VT0006603</u>	Chain bucket	12 m	1
16	<u>VT0007223</u>	Chain bucket	30 m	1
16	<u>VT0007822</u>	Chain bucket	50 m	1
17	<u>VT0006604</u>	Fixing set - Chain bucket	12 m	1
17	<u>VT0007049</u>	Fixing set - Chain bucket	30 m-50 m	1
18	<u>VT0006605</u>	Galvanized chain 11.3x31		1
18	<u>VT0009329</u>	Stainless steel chain 11.3x31		1
19	<u>VT0006606</u>	Chain tools		1
20	<u>VT0006607</u>	Ejector		1
21	<u>VT0006025</u>	Oil can		1
22	<u>VT0008045</u>	Geared limit switch		1

3. GEAR



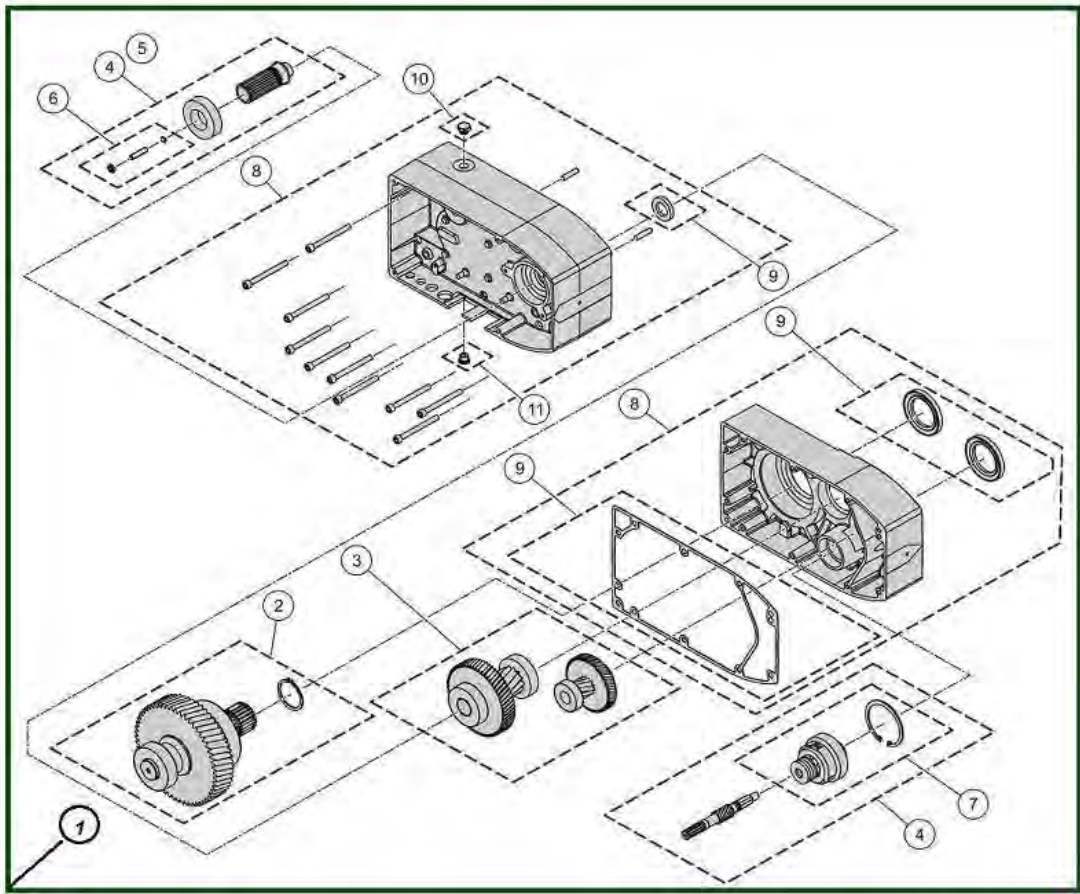
3.1. Single brake



Single brake

Item	Reference	Description	Observation	Quantity
1	<u>VT0006617</u>	Gear assembly- Single brake	4m/min: 2 falls 8m/min: 1 fall	1
1	<u>VT0006618</u>	Gear assembly- Single brake	6,3 m/min: 2 falls 12.5 m/min: 1 fall	1
1	<u>VT0006619</u>	Gear assembly- Single brake	16 m/min	1
1	<u>VT0006620</u>	Gear assembly- Single brake	20 m/min	1
2	<u>VT0006625</u>	Primary gear - pinion set		1
3	<u>VT0006627</u>	Second gear pinion set	6,3 m/min: 2 falls 12.5 m/min: 1 fall	1
3	<u>VT0006628</u>	Second gear pinion set	16 m/min	1
3	<u>VT0006629</u>	Second gear pinion set	20 m/min	1
3	<u>VT0006626</u>	Second gear pinion set	4m/min: 2 falls 8m/min: 1 fall	1
4	<u>VT0006630</u>	Gear shaft with clutch	Single brake	1
5	<u>VT0006632</u>	Coupling - Brake side	Single brake	1
6	<u>VT0006634</u>	Screw set		1
7	<u>VT0006635</u>	Clutch set		1
8	<u>VT0006636</u>	Frame		1
9	<u>VT0006637</u>	Sealing set		1
10	<u>VT0006638</u>	Breather		1
11	<u>VT0006639</u>	End cap		1
-	<u>VT0006615</u>	Oil can gearbox VR	ATF320 02=0.25l /05=0.23l /10=0.60l /16=1.42l /25=2,00	2

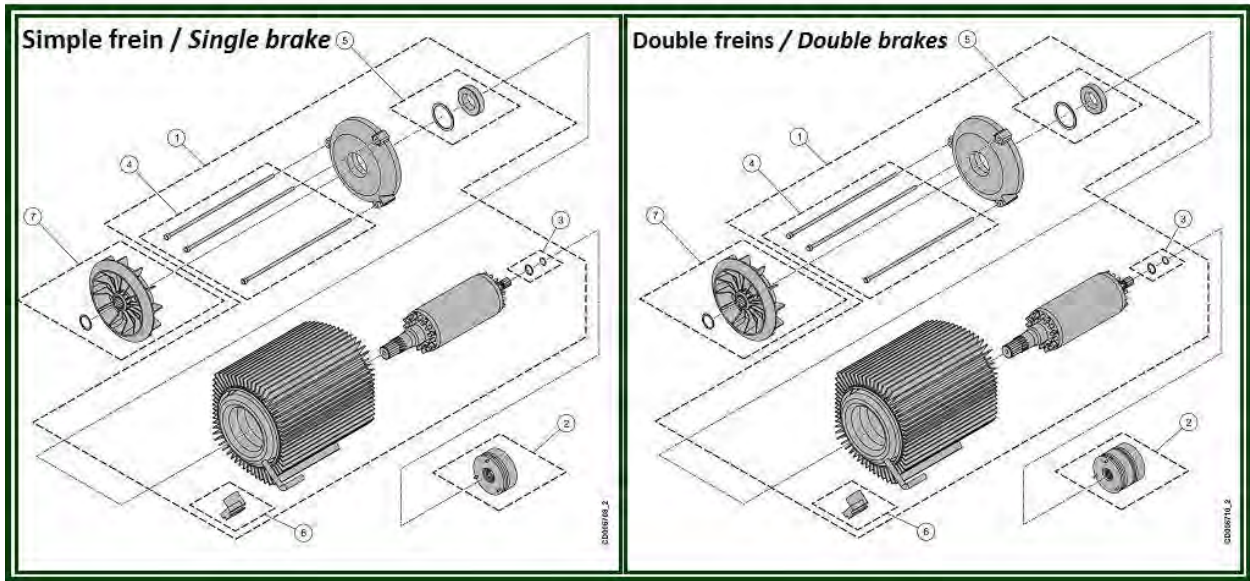
3.2. Double brakes



Double brakes

Item	Reference	Description	Observation	Quantity
1	<u>VT0006621</u>	Gear assembly - Double brakes	4m/min: 2 falls 8m/min: 1 fall	1
1	<u>VT0006622</u>	Gear assembly - Double brakes	6,3 m/min: 2 falls 12.5 m/min: 1 fall	1
1	<u>VT0006623</u>	Gear assembly - Double brakes	16 m/min	1
1	<u>VT0006624</u>	Gear assembly - Double brakes	20 m/min	1
2	<u>VT0006625</u>	Primary gear - pinion set		1
3	<u>VT0006627</u>	Second gear pinion set	6,3 m/min: 2 falls 12.5 m/min: 1 fall	1
3	<u>VT0006628</u>	Second gear pinion set	16 m/min	1
3	<u>VT0006629</u>	Second gear pinion set	20 m/min	1
3	<u>VT0006626</u>	Second gear pinion set	4m/min: 2 falls 8m/min: 1 fall	1
4	<u>VT0006631</u>	Gear shaft with clutch	Double brakes	1
5	<u>VT0006633</u>	Coupling - Brake side	Double brakes	1
6	<u>VT0006634</u>	Screw set		1
7	<u>VT0006635</u>	Clutch set		1
8	<u>VT0006636</u>	Frame		1
9	<u>VT0006637</u>	Sealing set		1
10	<u>VT0006638</u>	Breather		1
11	<u>VT0006639</u>	End cap		1
-	<u>VT0006615</u>	Oil can gearbox VR	ATF320 02=0.25l /05=0.23l /10=0.60l 16=1.42l /25=2,00	2

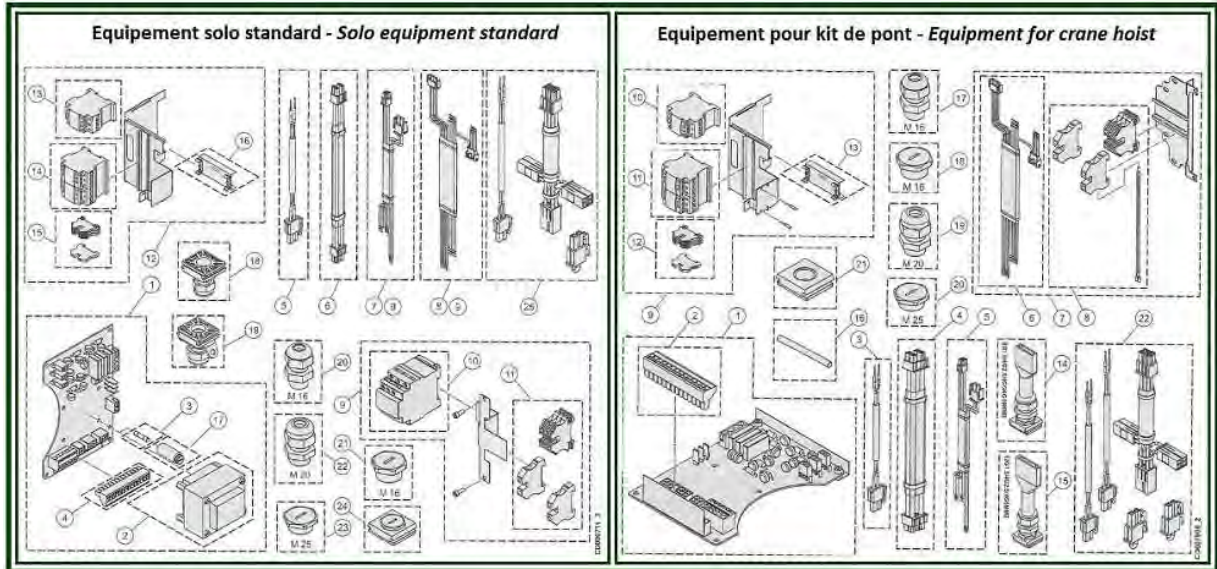
4. MOTOR- Single brake & Double brakes



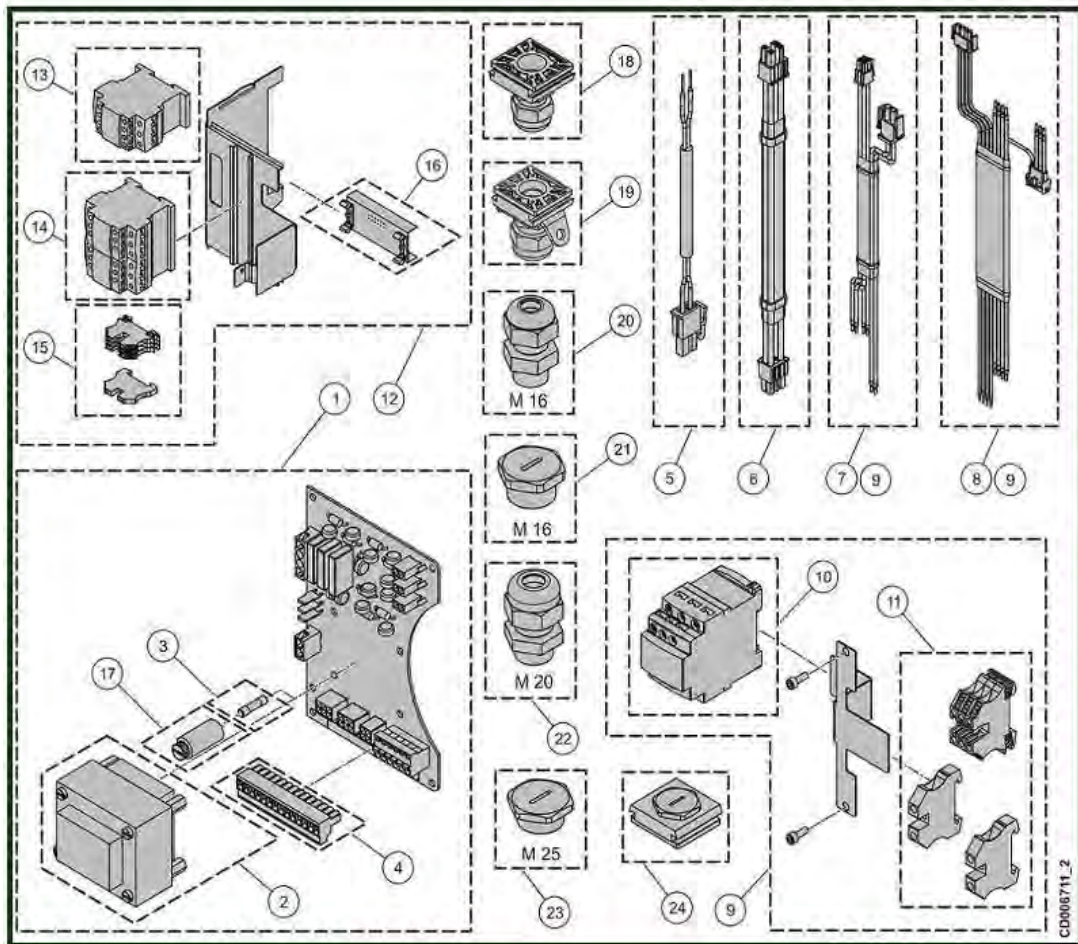
Motor - Single brake & Double brakes

Item	Reference	Description	Observation	Quantity
1	<u>VT0006645</u>	Motor - 2 speeds	220-230V-240V 50Hz Without fan	1
1	<u>VT0006647</u>	Motor - 2 speeds	380-400V 60Hz Without fan	1
1	<u>VT0006644</u>	Motor - 2 speeds	380-415V 50Hz / 440-480V 60Hz Without fan	1
1	<u>VT0006649</u>	Motor - 2 speeds	500-525V 50Hz / 575-600V 60Hz Without fan	1
1	<u>VT0006646</u>	Motor - 2 speeds	660-690V 50Hz Without fan	1
1	<u>VT0006648</u>	Motor - 2 speeds	660-690V 60Hz Without fan	1
2	<u>VT0007886</u>	Single brake	103VDC - 230 V VR16 & VR25 Double brakes = Single brake x 2	1
2	<u>VT0007885</u>	Single brake	180VDC - 400V Double brakes = Single brake x 2	1
2	<u>VT0007887</u>	Single brake	255VDC - 500V Double brakes = Single brake x 2	1
2	<u>VT0007888</u>	Single brake	320VDC - 600V-690V Double brakes = Single brake x 2	1
3	<u>VT0006654</u>	Retaining ring		1
4	<u>VT0006655</u>	Screw set		1
5	<u>VT0005912</u>	Bearing set		1
6	<u>VT0006656</u>	Grommet		1
7	<u>VT0005915</u>	Fan set		1

5. ELECTRICAL PARTS



5.1. Solo equipment – Standard



Solo equipment – Standard

Item	Reference	Description	Observation	Quantity
1	VT0007668	CI board	208-230V/110-115V/50-60Hz	1
1	VT0007667	CI board	230V / 48V / 50-60Hz	1
1	VT0006738	CI board	380-415V / 24V / 50 60Hz	1
1	VT0006657	CI board	380-415V / 48V / 50-60Hz	1
1	VT0007665	CI board	380-415V / 110-115V / 50-60Hz	1
1	VT0007666	CI board	380-415V / 230V / 50-60Hz	1
1	VT0007669	CI board	440-480V / 48V /50-60Hz	1
1	VT0007670	CI board	440-480V / 110-115V / 50-60Hz	1
1	VT0007671	CI board	500-525V / 48V / 50-60Hz	1
1	VT0007672	CI board	500-525V/110-115V / 50-60Hz	1
1	VT0007695	CI board	500-525V/230V / 50-60Hz	1
1	VT0007673	CI board	575V/48V / 50-60Hz	1
1	VT0007674	CI board	575V/110-115V / 50-60Hz	1
1	VT0007675	CI board	690V /48V / 50-60Hz	1
1	VT0007676	CI board	690V /110-115V / 50-60Hz	1
2	VT0007684	Transformer	230V/48V / 50-60Hz	1
2	VT0007685	Transformer	230V/110-115V / 50-60Hz	1
2	VT0006739	Transformer	380-415V / 24V / 50 60Hz	1
2	VT0006658	Transformer	380-415V / 48V / 50-60Hz	1
2	VT0007682	Transformer	380-415V / 110-115V / 50-60Hz	1
2	VT0007683	Transformer	380-415V / 230V / 50-60Hz	1
2	VT0007686	Transformer	440-480V/48V / 50-60Hz	1
2	VT0007687	Transformer	440-480V/110V-115V / 50-60Hz	1
2	VT0007688	Transformer	500-525V/48V / 50-60Hz	1
2	VT0007689	Transformer	500-525V/110V-115V / 50-60Hz	1
2	VT0007690	Transformer	500-525V/230V / 50-60Hz	1
2	VT0007691	Transformer	575V / 48V / 50-60Hz	1
2	VT0007692	Transformer	575V / 115V / 50-60Hz	1
2	VT0007693	Transformer	690V / 48V / 50-60Hz	1
2	VT0007694	Transformer	690V / 110-115V/ 50-60Hz	1
3	VT0007706	Fuses set	Control voltage24V/48V	1
3	VT0007707	Fuses set	Control voltage110V/115V	1
3	VT0007306	Fuses set	Control voltage230V	1
4	VT0005108	Pendant connector	14P	1
5	VT0008550	GLS cable	Quantity 2 for 2 Cames or 4 for 4 Cames	1

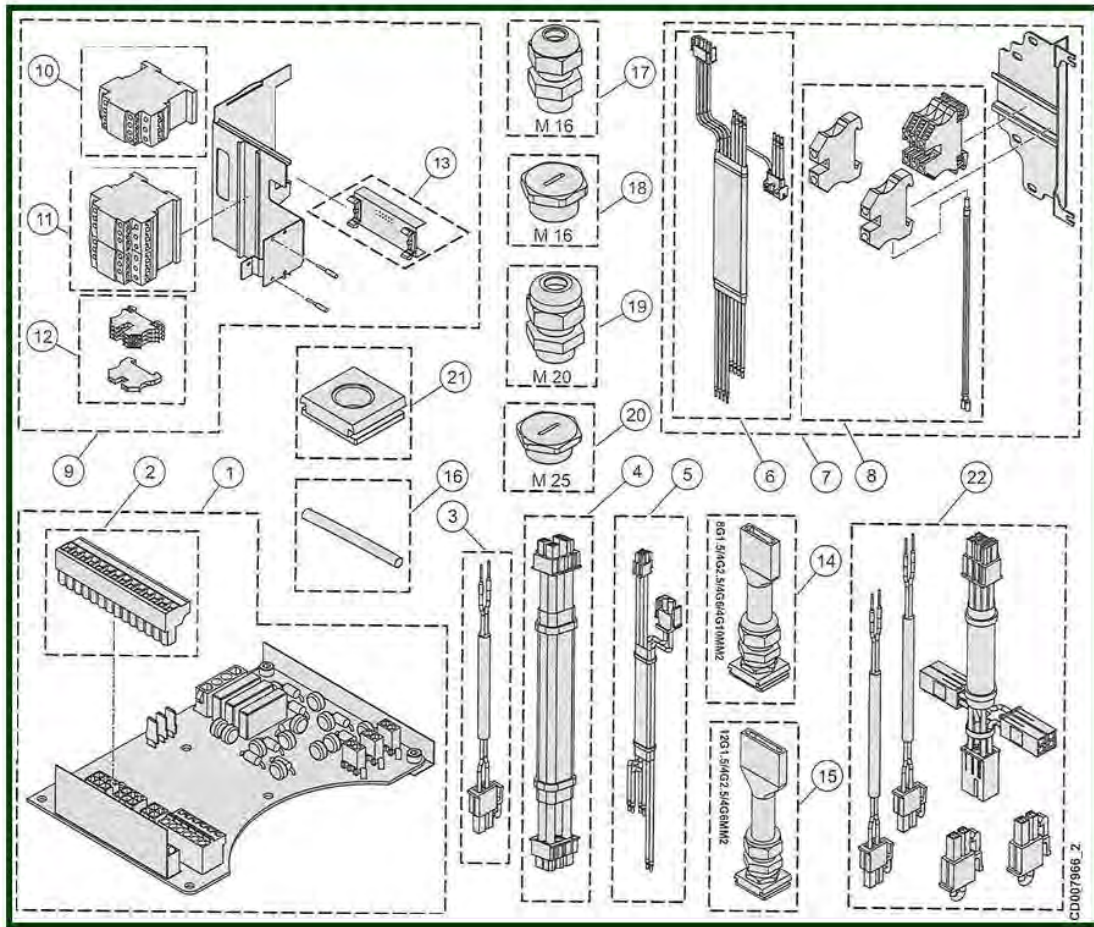
Solo equipment – Standard

Item	Reference	Description	Observation	Quantity
6	VT0006662	Linking cable	230V / 24V / 50-60Hz	1
7	VT0006663	Linking cable	230V / 24V / 50-60Hz	1
8	VT0006664	Linking cable	208V-690V / 50-60Hz	1
9	VT0007661	PC board Power connection	208V-690V / 50-60Hz	1
9	VT0007662	Linking cable	208V-690V /24V / 50-60Hz	1
9	VT0007663	Linking cable	208V-690V /48V / 50-60Hz	1
9	VT0007664	Linking cable	208V-690V/230V / 50-60Hz	1
10	VT0007696	Contacteur ON/OFF	24V	1
10	VT0006731	Contacteur ON/OFF	48V	1
10	VT0007697	Contacteur ON/OFF	110V	1
10	VT0007698	Contacteur ON/OFF	230V	1
11	VT0007708	Terminal block set		1
12	VT0007680	Electrical board - 2HS	208-230V / 48V / 50-60Hz	1
12	VT0007681	Electrical board - 2HS	208-230V / 110-115V / 50-60Hz	1
12	VT0006666	Electrical board - 2HS	380-690V / 48V / 50-60Hz	1
12	VT0007678	Electrical board - 2HS	380-690V / 110-115V / 50-60Hz	1
12	VT0007679	Electrical board - 2HS	380-690V / 230V / 50-60Hz	1
12	VT0007677	Electrical board - 2HS	380V-690V/ 24V / 50-60Hz	1
13	VT0007699	Selector contactor	208-230V / 48V / 50-60Hz	1
13	VT0007700	Selector contactor	208-230V / 110V / 50-60Hz	1
13	VT0006737	Selector contactor	380-690V / 48V / 50-60Hz	1
13	VT0006740	Selector contactor	380-690V / 110-115V / 50-60Hz	1
13	VT0006741	Selector contactor	380-690V / 230V / 50-60Hz	1
13	VT0006736	Selector contactor	380V-690V/24V / 50-60Hz	1
14	VT0007703	Reversing contactor	380V-690V/24V / 50-60Hz	1
14	VT0007701	Selector contactor	208-230V / 48V / 50-60Hz	1
14	VT0007702	Selector contactor	208-230V / 110V / 50-60Hz	1
14	VT0006743	Selector contactor	380-690V /48V / 50-60Hz	1
14	VT0007704	Selector contactor	380-690V / 110V-115V / 50-60Hz	1
14	VT0007705	Selector contactor	380-690V / 230V / 50-60Hz	1
15	VT0007709	Terminal block set		1
16	VT0006732	Terminal block set	230V / 24 - 50/60Hz	1
17	VT0006191	Porte fusible		1
18	VT0006393	Cable gland set Square cable entry	CG M20- ISO 20 Trolley – Power supply	1

Solo equipment – Standard

Item	Reference	Description	Observation	Quantity
19	<u>VT0005090</u>	Cable gland set Square cable entry	Push button	1
20	<u>VT0006640</u>	Cable gland	M16	1
21	<u>VT0006641</u>	Cap	M16	1
22	<u>VT0004924</u>	Cable gland	M20	1
23	<u>VT0006643</u>	Cap	M25	1
24	<u>VT0006089</u>	Cap Square cable entry		1
25	<u>VT0008551</u>	Set of connection GLS	FDC MS +GLS	1
-	<u>VT0006967</u>	Time counter		1

5.2. Equipment for crane kit



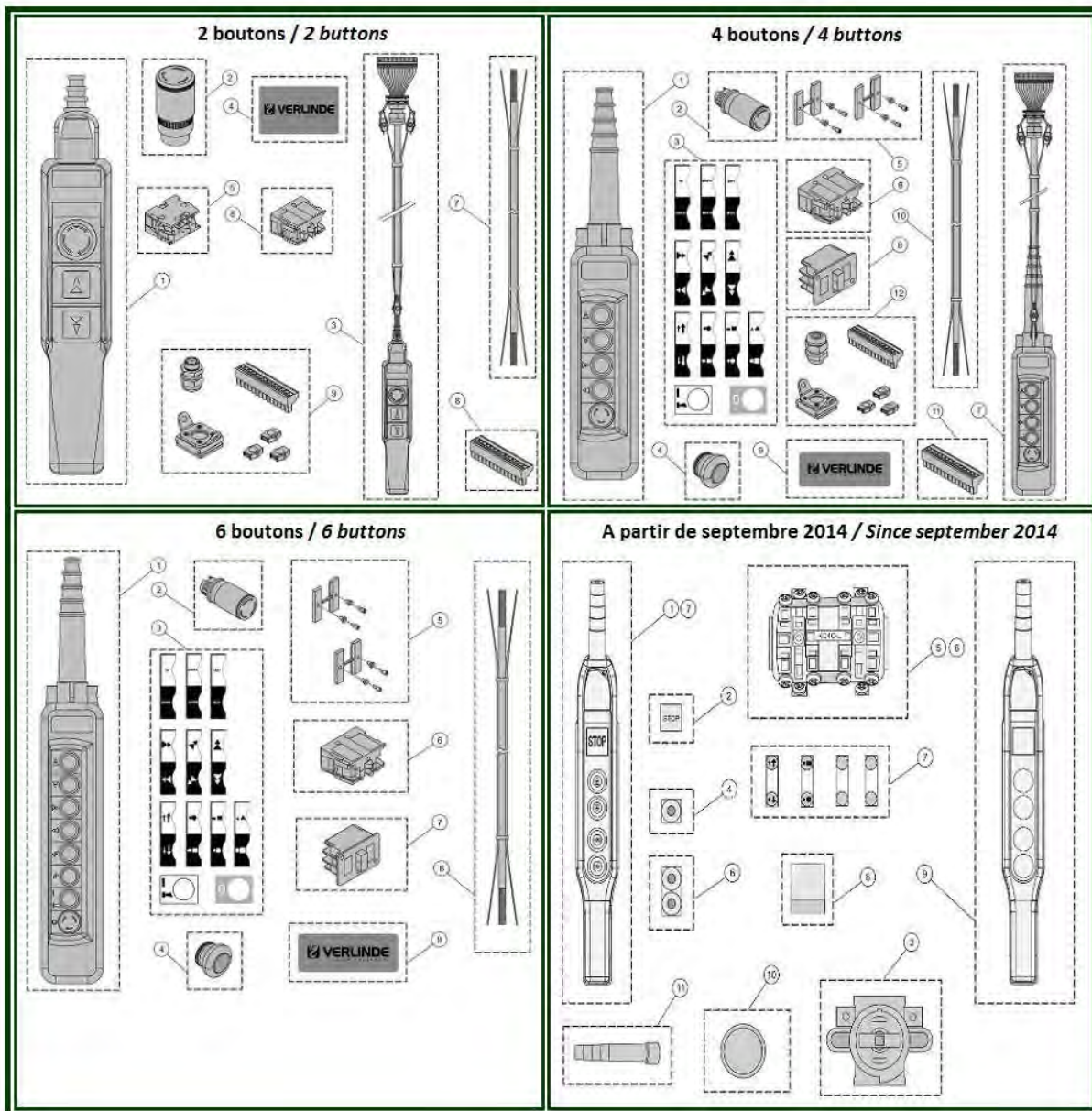
Equipment for crane kit

Item	Reference	Description	Observation	Quantity
1	<u>VT0008072</u>	Platine CI - Pont	208V 600V / 50-60Hz	1
2	<u>VT0005108</u>	Connector	14P	1
3	<u>VT0006661</u>	Linking cable	230V / 24V / 50-60Hz	1
4	<u>VT0006662</u>	Linking cable	230V / 24V / 50-60Hz	1
5	<u>VT0006663</u>	Linking cable	230V / 24V / 50-60Hz	1
6	<u>VT0006664</u>	Linking cable	208V-690V / 50-60Hz	1
7	<u>VT0007661</u>	PC board Power connection	208V-690V / 50-60Hz	1
8	<u>VT0007708</u>	Terminal block set		1
9	<u>VT0007680</u>	Electrical board - 2HS	208-230V / 48V / 50-60Hz	1
9	<u>VT0007681</u>	Electrical board - 2HS	208-230V / 110-115V / 50-60Hz	1
9	<u>VT0006666</u>	Electrical board - 2HS	380-690V / 48V / 50-60Hz	1
9	<u>VT0007678</u>	Electrical board - 2HS	380-690V / 110-115V / 50-60Hz	1
9	<u>VT0007679</u>	Electrical board - 2HS	380-690V / 230V / 50-60Hz	1
9	<u>VT0007677</u>	Electrical board - 2HS	380V-690V/ 24V / 50-60Hz	1
10	<u>VT0007699</u>	Selector contactor	208-230V / 48V / 50-60Hz	1
10	<u>VT0007700</u>	Selector contactor	208-230V / 110V / 50-60Hz	1
10	<u>VT0006737</u>	Selector contactor	380-690V / 48V / 50-60Hz	1
10	<u>VT0006740</u>	Selector contactor	380-690V / 110-115V / 50-60Hz	1
10	<u>VT0006741</u>	Selector contactor	380-690V / 230V / 50-60Hz	1
10	<u>VT0006736</u>	Selector contactor	380V-690V/24V / 50-60Hz	1
11	<u>VT0007703</u>	Reversing contactor	380V-690V/24V / 50-60Hz	1
11	<u>VT0007701</u>	Selector contactor	208-230V / 48V / 50-60Hz	1
11	<u>VT0007702</u>	Selector contactor	208-230V / 110V / 50-60Hz	1
11	<u>VT0006743</u>	Selector contactor	380-690V / 48V / 50-60Hz	1
11	<u>VT0007704</u>	Selector contactor	380-690V / 110V-115V / 50-60Hz	1
11	<u>VT0007705</u>	Selector contactor	380-690V / 230V / 50-60Hz	1

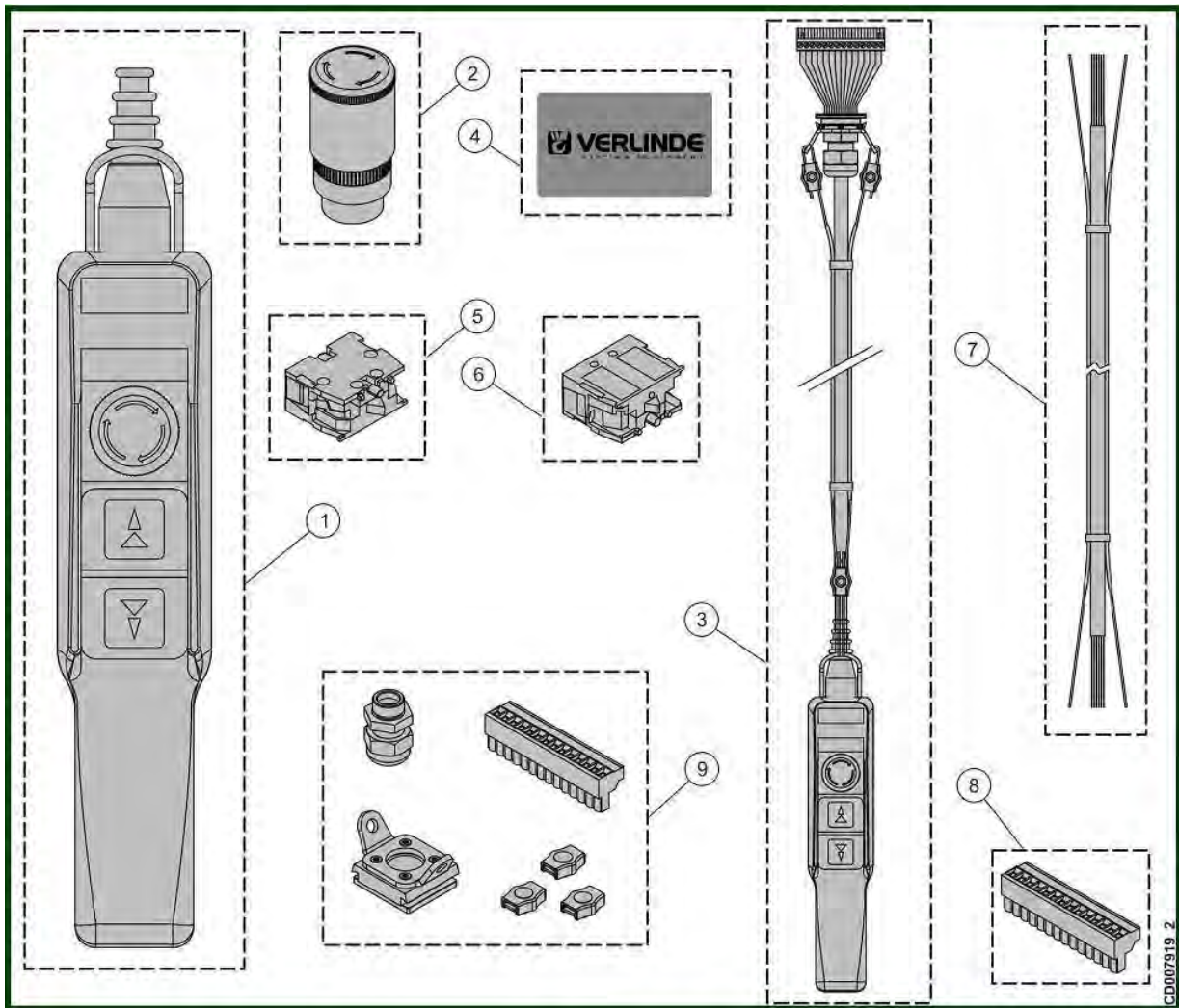
Equipment for crane kit

Item	Reference	Description	Observation	Quantity
12	<u>VT0007709</u>	Terminal block set		1
13	<u>VT0006732</u>	Terminal block set	230V / 24 - 50/60Hz	1
14	<u>VT0007780</u>	Cable gland set Square cable entry	8G1.5/4G2.5/4G6/4G10mm2	1
15	<u>VT0006454</u>	Cable gland set Square cable entry	12G1.5/4G2.5/4G6mm2 - ISO 25	1
16	<u>VT0007781</u>	Head shrinkable tube		1
17	<u>VT0006640</u>	Cable gland	M16	1
18	<u>VT0006641</u>	Cap	M16	1
19	<u>VT0004924</u>	Cable gland	M20	1
20	<u>VT0006643</u>	Cap	M25	1
21	<u>VT0006089</u>	Cap Square cable entry		1
22	<u>VT0008551</u>	Set of connection GLS	FDC MS +GLS	1
-	<u>VT0006967</u>	Time counter		1

6. PUSH BUTTON CONTROLLER



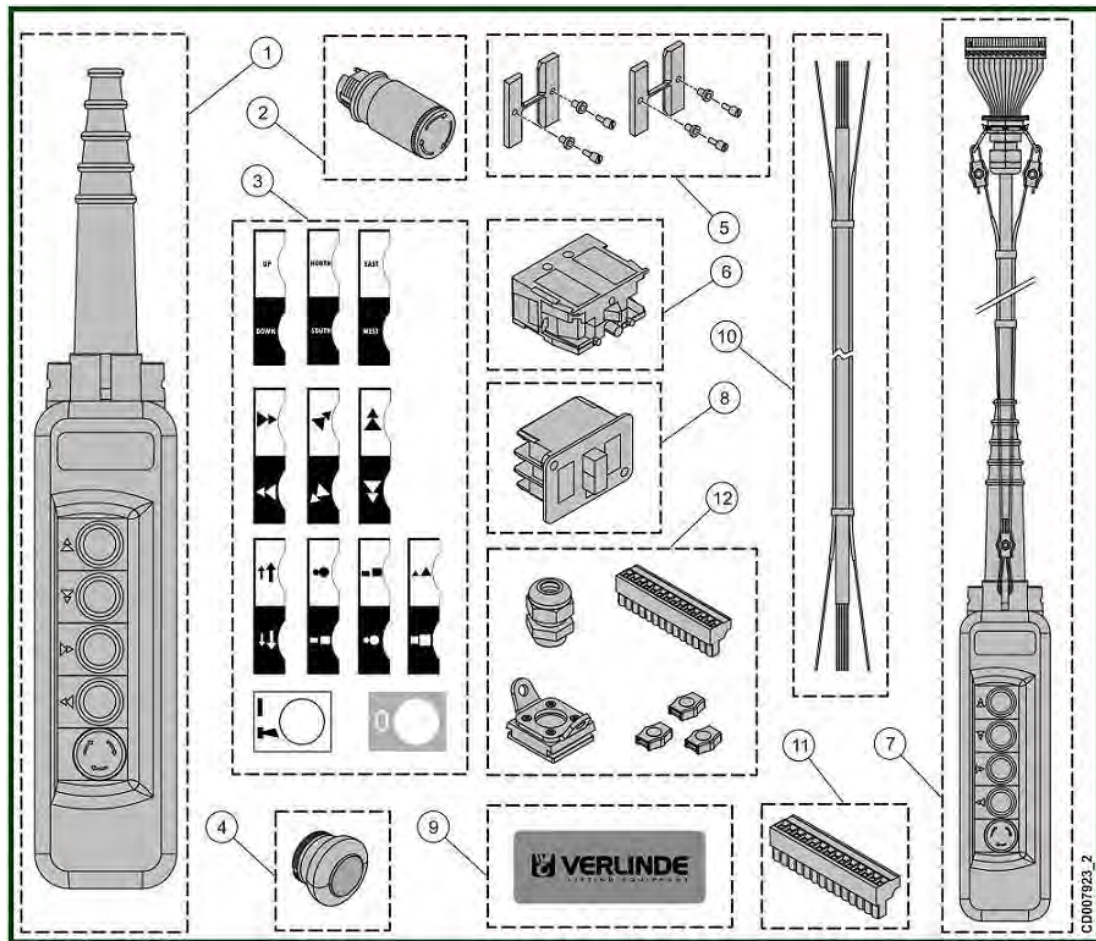
6.1. 2 buttons



2 buttons

Item	Reference	Description	Observation	Quantity
1	<u>VT0005061</u>	Push button - 2HS+ES	Yellow	1
2	<u>VT0006547</u>	Emergency push button		1
3	<u>VT0005612</u>	Pendant with cable 2HS+ES	2,2 m - Yellow- CE	1
3	<u>VT0005613</u>	Pendant with cable 2HS+ES	2,7 m - Yellow- CE	1
3	<u>VT0005614</u>	Pendant with cable 2HS+ES	3,2 m - Yellow- CE	1
3	<u>VT0005615</u>	Pendant with cable 2HS+ES	3,7 m - Yellow- CE	1
3	<u>VT0005616</u>	Pendant with cable 2HS+ES	4,2 m - Yellow- CE	1
3	<u>VT0005617</u>	Pendant with cable 2HS+ES	4,7 m - Yellow- CE	1
3	<u>VT0005618</u>	Pendant with cable 2HS+ES	5,2 m - Yellow- CE	1
3	<u>VT0005619</u>	Pendant with cable 2HS+ES	5,7 m - Yellow- CE	1
4	<u>VT0007837</u>	Branding sticker	VERLINDE	1
5	<u>VT0005064</u>	Contact block	ZB2-BE101	1
6	<u>VT0005066</u>	Contact block	ZB2-BE 102	1
7	<u>VT0006746</u>	Cable	5x1,5 mm ² - CE	1
8	<u>VT0005108</u>	Pendant connector	14P	1
9	<u>VT0007583</u>	Pendant plug set	ISO	1

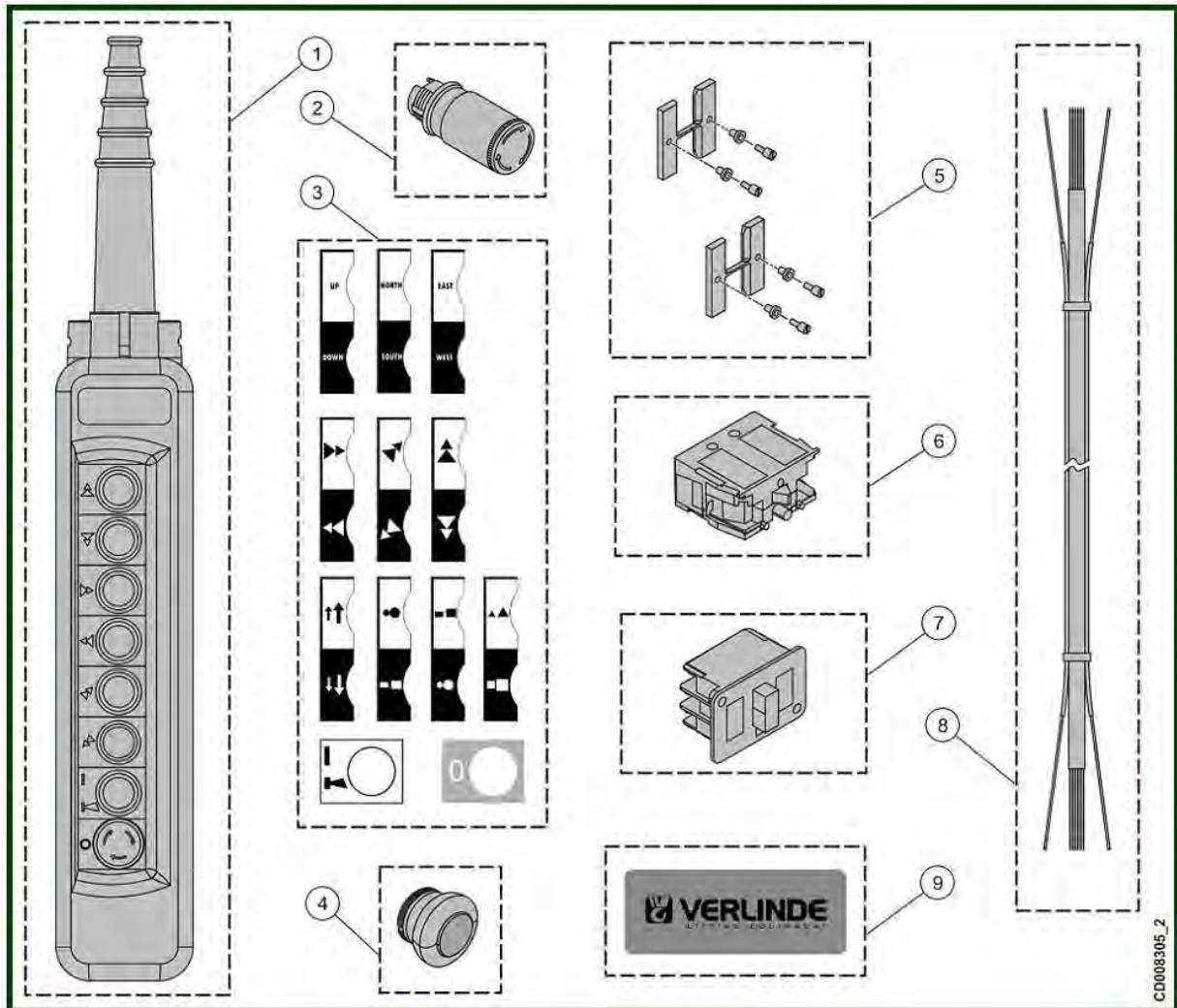
6.2. 4 buttons



4 buttons

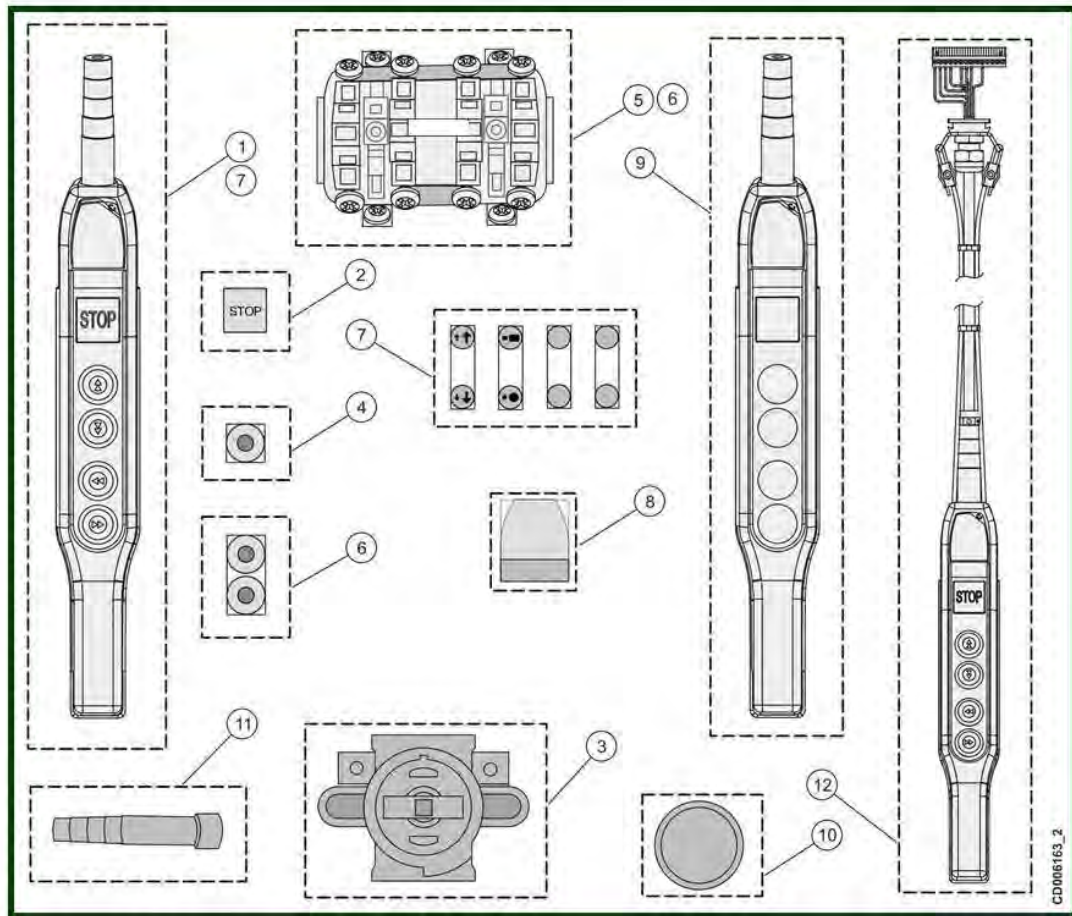
Item	Reference	Description	Observation	Quantity
1	<u>VT0005055</u>	Pendant controller 2HS+2TS+ES	Yellow	1
2	<u>VT0006548</u>	Emergency push button		1
3	<u>VT0007882</u>	Set of direction symbols		1
4	<u>VT0005063</u>	Push button		1
5	<u>VT0005072</u>	Mechanical interlock		2
6	<u>VT0005066</u>	Block contact	ZB2-BE 102	1
7	<u>VT0006059</u>	Pendant with cable 2HS+2TS+ES	4,2 m - Yellow	1
7	<u>VT0006060</u>	Pendant with cable 2HS+2TS+ES	4,7 m - Yellow	1
7	<u>VT0006061</u>	Pendant with cable 2HS+2TS+ES	5,2 m - Yellow	1
7	<u>VT0006062</u>	Pendant with cable 2HS+2TS+ES	5,7 m - Yellow	1
7	<u>VT0006055</u>	Pendant with cable 2HS+2TS+ES	2,2 m - Yellow	1
7	<u>VT0006056</u>	Pendant with cable 2HS+2TS+ES	2,7 m - Yellow	1
7	<u>VT0006057</u>	Pendant with cable 2HS+2TS+ES	3,2 m - Yellow	1
7	<u>VT0006058</u>	Pendant with cable 2HS+2TS+ES	3,7 m - Yellow	1
8	<u>VT0007879</u>	Block contact	XENG1191	1
9	<u>VT0007880</u>	Branding sticker	VERLINDE	1
10	<u>VT0006747</u>	Cable - 8x1,5mm ²	meter	1
11	<u>VT0005108</u>	Pendant connector	14P	1
12	<u>VT0007583</u>	Pendant plug set	ISO	1

6.3. 6 buttons



Item	Reference	Description	Observation	Quantity
1	VT0005058	Pendant controller 2VL+2VD+2VT+M+AU	Yellow	1
2	VT0006548	Emergency push button		1
3	VT0007882	Set of direction symbols		1
4	VT0005063	Push button		1
5	VT0005072	Mechanical interlock		2
6	VT0005066	Block contact	ZB2-BE 102	1
7	VT0007879	Block contact	XENG1191	1
8	VT0008073	Cable	16x1.52mm ² - meter	1
8	VT0008074	Cable	20x1.5mm ² - meter	1
9	VT0007880	Branding sticker	VERLINDE	1
-	VT0005108	Pendant connector	14P	1

6.4. Push button- From september 2014



Push button- From september 2014

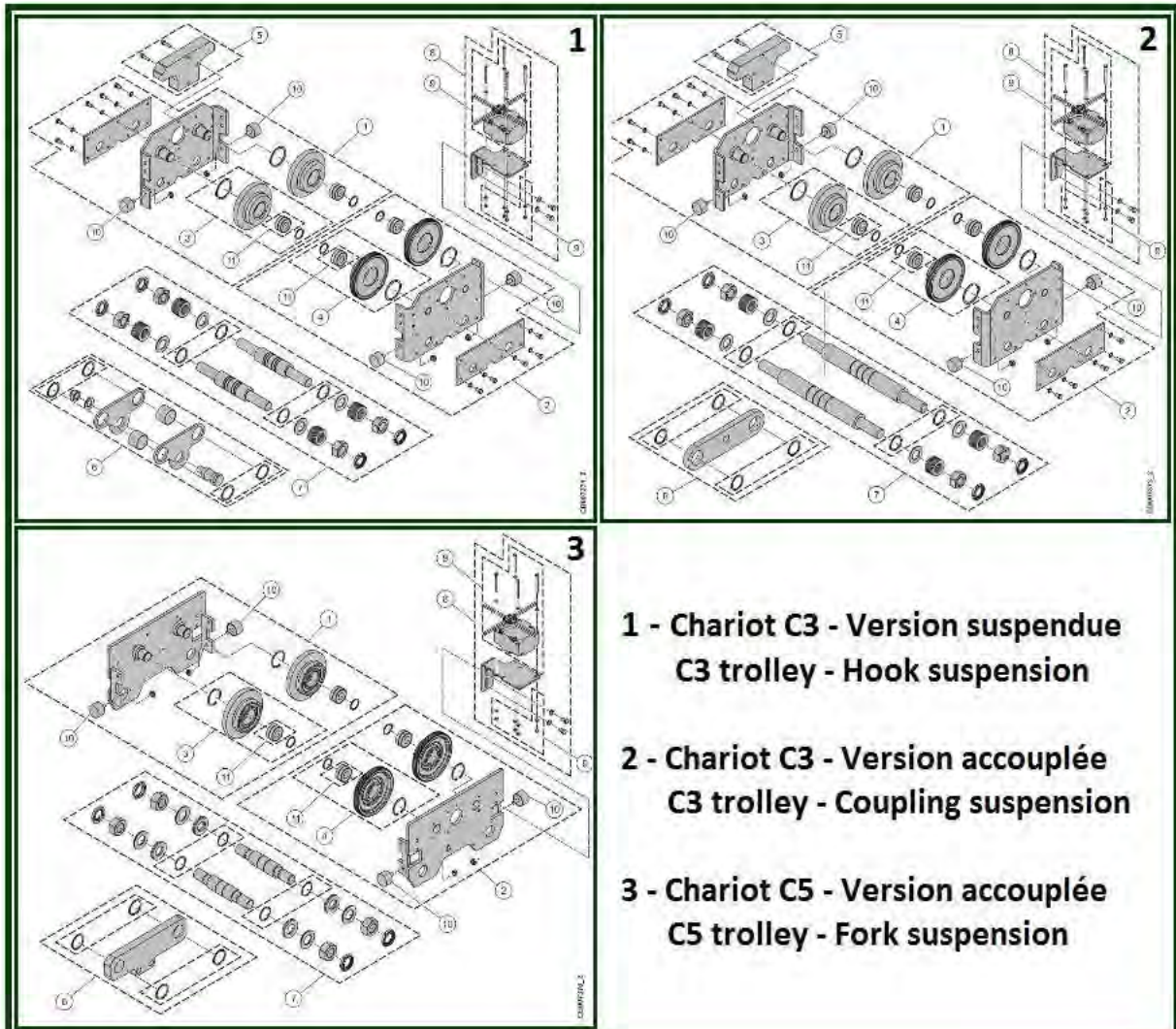
Item	Reference	Description	Observation	Quantity
1	<u>VT0006495</u>	Push buttons box - 2HS+2TS+ES	Yellow - 4 buttons	1
1	<u>VT0006493</u>	Push buttons box - 2HS+ES	Yellow - 2 buttons	1
2	<u>VT0006509</u>	Emergency push button		1
3	<u>VT0006510</u>	Emergency stop contact block		1
4	<u>VT0006511</u>	Rubber push button		1
5	<u>VT0006513</u>	Contact block	2 speeds	1
6	<u>VT0006514</u>	Set of 2 push buttons + contact block		1
7	<u>VT0006752</u>	Stickers - Direction symbols	DIN	1
7	<u>VT0006753</u>	Stickers - Direction symbols	FIN-SEN	1
7	<u>VT0006754</u>	Stickers - Direction symbols	ANSI	1
8	<u>VT0006496</u>	Stickers - Brand	VERLINDE	1
9	<u>VT0006515</u>	Pendant housing	Yellow - 2 buttons	1
9	<u>VT0006518</u>	Pendant housing	Yellow - 4 buttons	1
10	<u>VT0006517</u>	Magnet		1
10	<u>VT0006516</u>	Rubber part		1
11	<u>VT0007032</u>	Cable bushing		1
12	<u>VT0006958</u>	Push buttons box + cable + plug 2HS+ES	2,20 m - Yellow - DIN	1
12	<u>VT0006951</u>	Push buttons box + cable + plug 2HS+ES	2,70 m - Yellow - DIN	1
12	<u>VT0006952</u>	Push buttons box + cable + plug 2HS+ES	3,20 m - Yellow - DIN	1
12	<u>VT0006953</u>	Push buttons box + cable + plug 2HS+ES	3,70 m - Yellow - DIN	1
12	<u>VT0006954</u>	Push buttons box + cable + plug 2HS+ES	4,20 m - Yellow - DIN	1
12	<u>VT0006955</u>	Push buttons box + cable + plug 2HS+ES	4,70 m - Yellow - DIN	1
12	<u>VT0006956</u>	Push buttons box + cable + plug 2HS+ES	5,20 m - Yellow - DIN	1
12	<u>VT0006957</u>	Push buttons box + cable + plug 2HS+ES	5,70 m - Yellow - DIN	1

Push button- From september 2014

Element	Reference	Description	Observation	Quantity
13	<u>VT0006959</u>	Push buttons box + cable + plug 2HS+2TS+ES	2,20 m - Yellow - DIN	1
13	<u>VT0006966</u>	Push buttons box + cable + plug 2HS+2TS+ES	2,70 m - Yellow - DIN	1
13	<u>VT0006960</u>	Push buttons box + cable + plug 2HS+2TS+ES	3,20 m - Yellow - DIN	1
13	<u>VT0006961</u>	Push buttons box + cable + plug 2HS+2TS+ES	3,70 m - Yellow - DIN	1
13	<u>VT0006962</u>	Push buttons box + cable + plug 2HS+2TS+ES	4,20 m - Yellow - DIN	1
13	<u>VT0006963</u>	Push buttons box + cable + plug 2HS+2TS+ES	4,70 m - Yellow - DIN	1
13	<u>VT0006964</u>	Push buttons box + cable + plug 2HS+2TS+ES	5,20 m - Yellow - DIN	1
13	<u>VT0006965</u>	Push buttons box + cable + plug 2HS+2TS+ES	5,70 m - Yellow - DIN	1

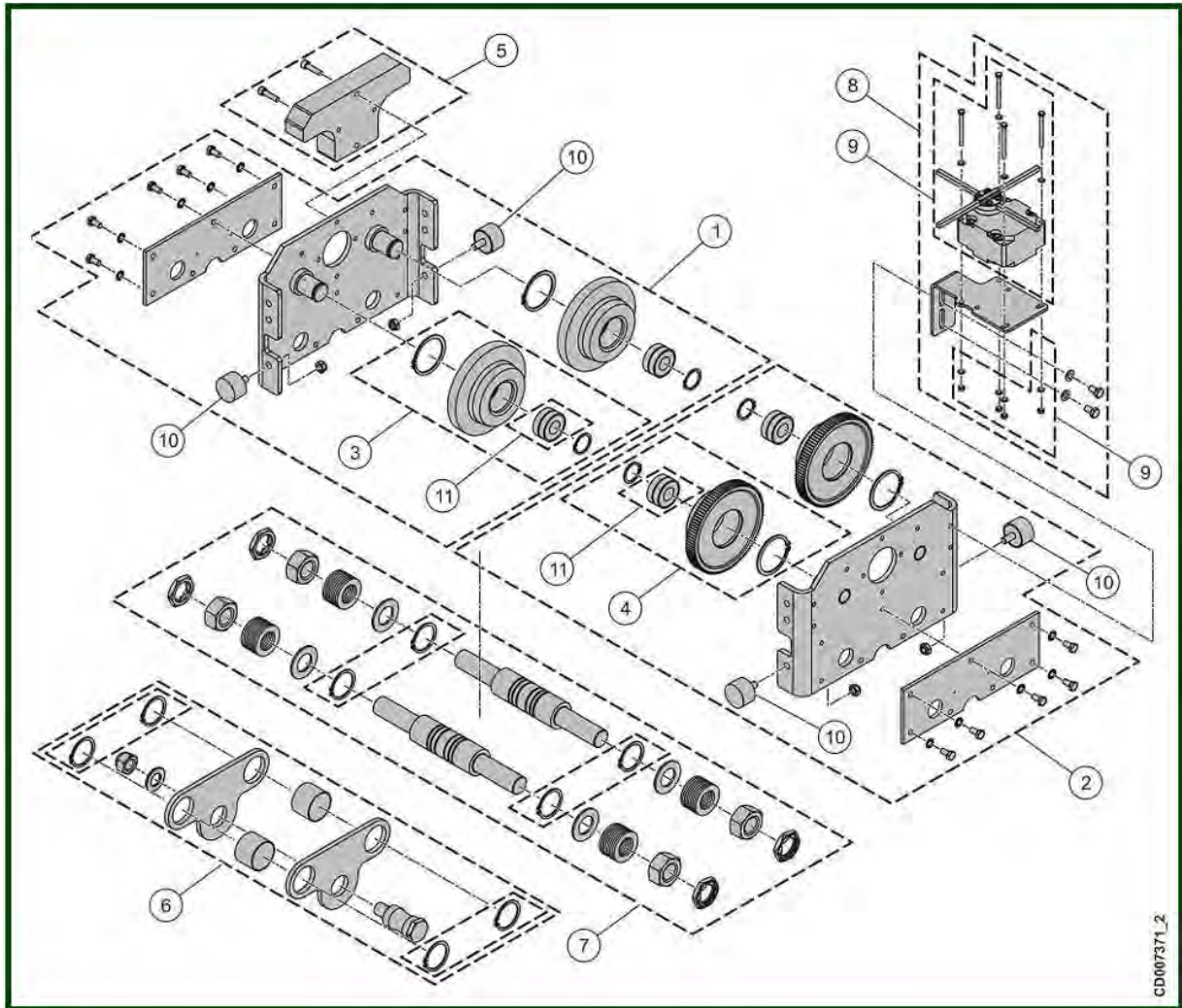
7. NORMAL HEADROOM TROLLEY

NHT



7.1. C3 trolley- 2001 to 3200 kg - Hanging version

NHT



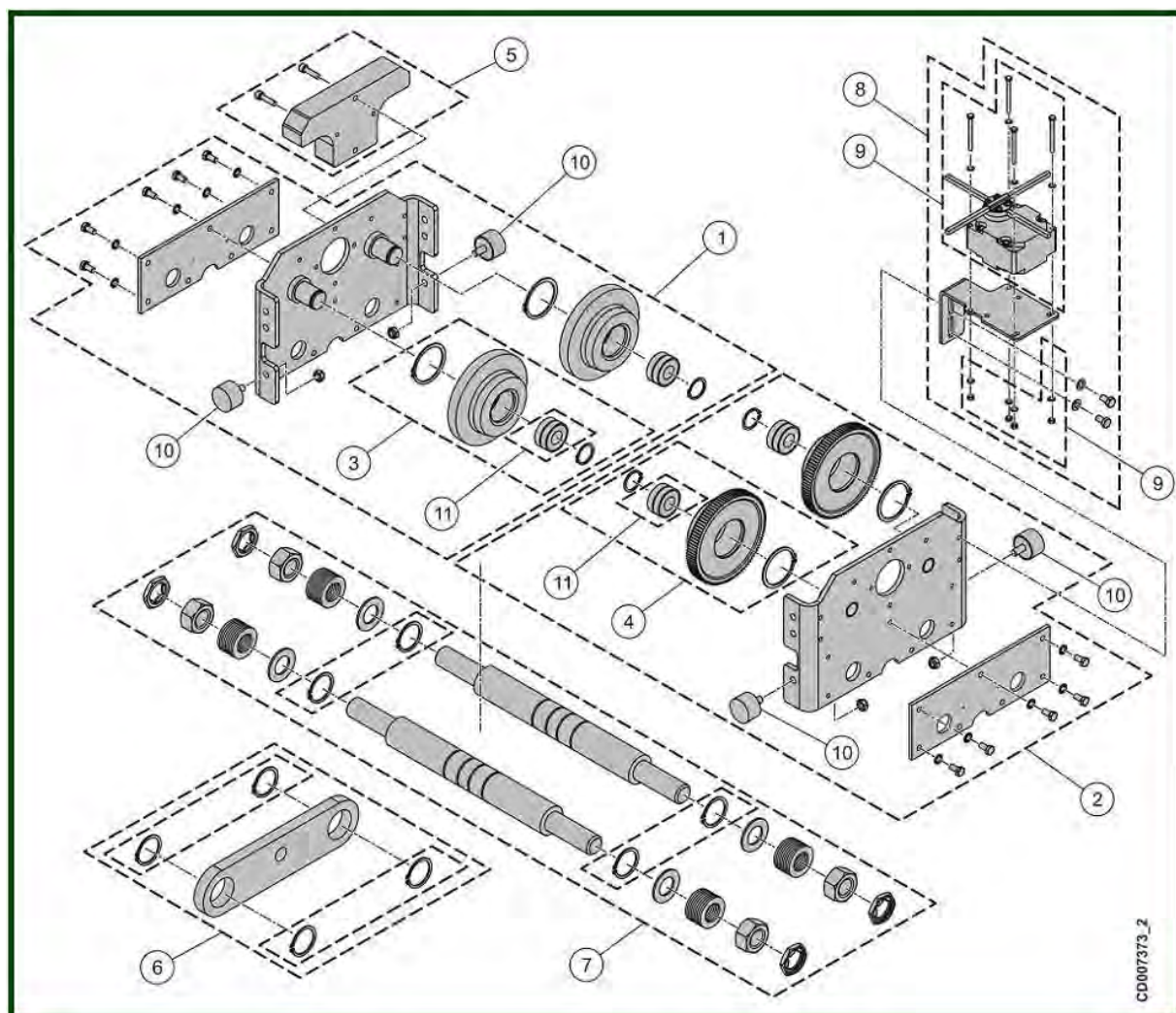
C3 trolley- 2001 to 3200 kg - Hanging version

NHT

Item	Reference	Description	Observation	Quantity
1	<u>VT0007092</u>	Idler side plate assembly		1
2	<u>VT0007093</u>	Drive side plate assembly		1
3	<u>VT0008782</u>	Travel wheel idler without shaft		1
4	<u>VT0008783</u>	Driving wheel without shaft		1
5	<u>VT0008837</u>	Set of counterweight		1
6	<u>VT0007094</u>	Joint part	Hanging version	1
7	<u>VT0007040</u>	Tie rod set beam- 82 to 137 mm	Monobloc tie road since 1999	1
7	<u>VT0007041</u>	Tie rod set beam- 140 to 190 mm	Monobloc tie road since 1999	1
7	<u>VT0007042</u>	Tie rod set beam- 198 to 248 mm	Monobloc tie road since 1999	1
7	<u>VT0007043</u>	Tie rod set beam- 260 to 310 mm	Monobloc tie road since 1999	1
7	<u>VT0008785</u>	Tie rod set beam- 311 to 350 mm	Monobloc tie road since 1999	1
8	<u>VT0007098</u>	Limit switch - 1 step		1
8	<u>VT0008775</u>	Limit switch - 2 steps		1
9	<u>VT0008776</u>	Travelling limit switch assembly - 1 step		1
9	<u>VT0008777</u>	Travelling limit switch assembly - 2 steps		1
10	<u>VT0007088</u>	Rubber buffer	40X20 M10	1
11	<u>VT0008786</u>	Ball bearing		1

7.2. C3 trolley- 2001 à 3200 kg - Coupled version

HPN



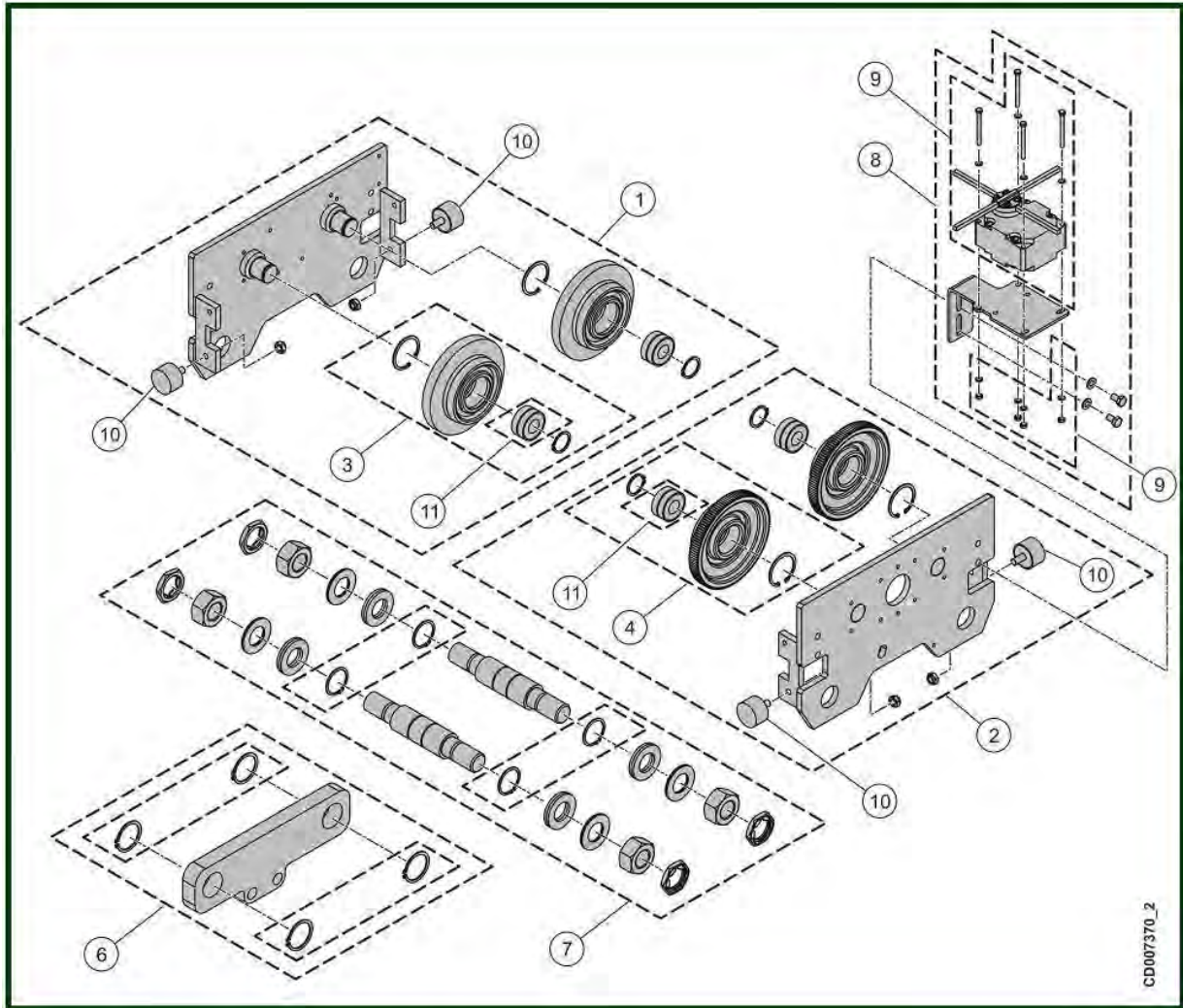
C3 trolley- 2001 à 3200 kg - Coupled version

HPN

Item	Reference	Description	Observation	Quantity
1	<u>VT0007092</u>	Idler side plate assembly		1
2	<u>VT0007093</u>	Drive side plate assembly		1
3	<u>VT0008782</u>	Travel wheel idler without shaft		1
4	<u>VT0008783</u>	Driving wheel without shaft		1
5	<u>VT0008837</u>	Set of counterweight		1
6	<u>VT0007095</u>	Joint part	Coupled version	1
7	<u>VT0007040</u>	Tie rod set beam- 82 à 137 mm	Monobloc tie road since 1999	1
7	<u>VT0007041</u>	Tie rod set beam- 140 à 190 mm	Monobloc tie road since 1999	1
7	<u>VT0007042</u>	Tie rod set beam- 198 à 248 mm	Monobloc tie road since 1999	1
7	<u>VT0007043</u>	Tie rod set beam- 260 à 310 mm	Monobloc tie road since 1999	1
7	<u>VT0008785</u>	Tie rod set beam- 311 à 350 mm	Monobloc tie road since 1999	1
8	<u>VT0007098</u>	Limit switch - 1 step		1
8	<u>VT0008775</u>	Limit switch - 2 steps		1
9	<u>VT0008776</u>	Travelling limit switch assembly 1 step		1
9	<u>VT0008777</u>	Travelling limit switch assembly 2 steps		1
10	<u>VT0007088</u>	Rubber buffer	40X20 M10	1
11	<u>VT0008786</u>	Ball bearing		1

7.3. C5 trolley- 3200 to 5000 kg - Coupled version

NHT

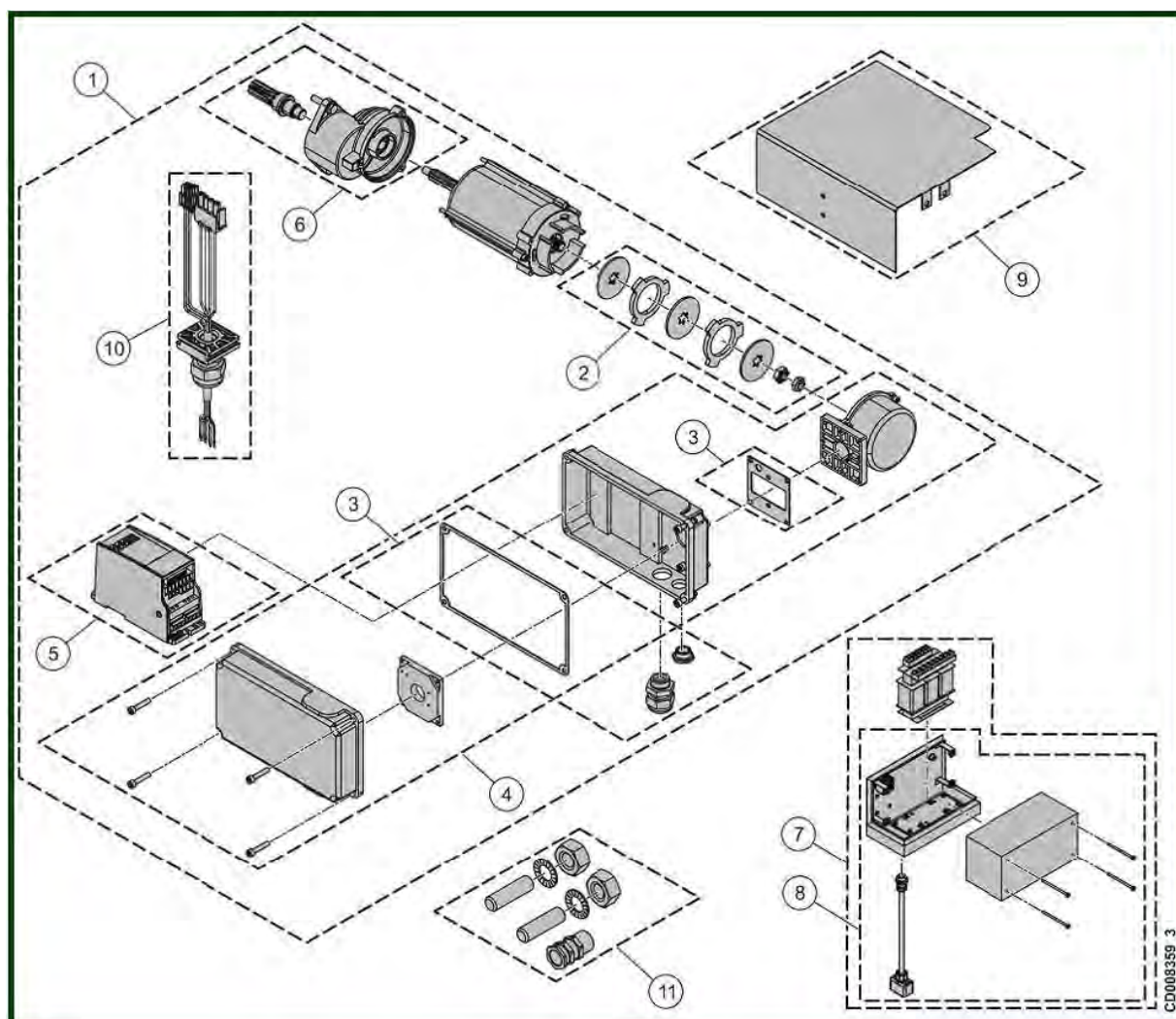


C5 trolley- 3200 to 5000 kg - Coupled version

NHT

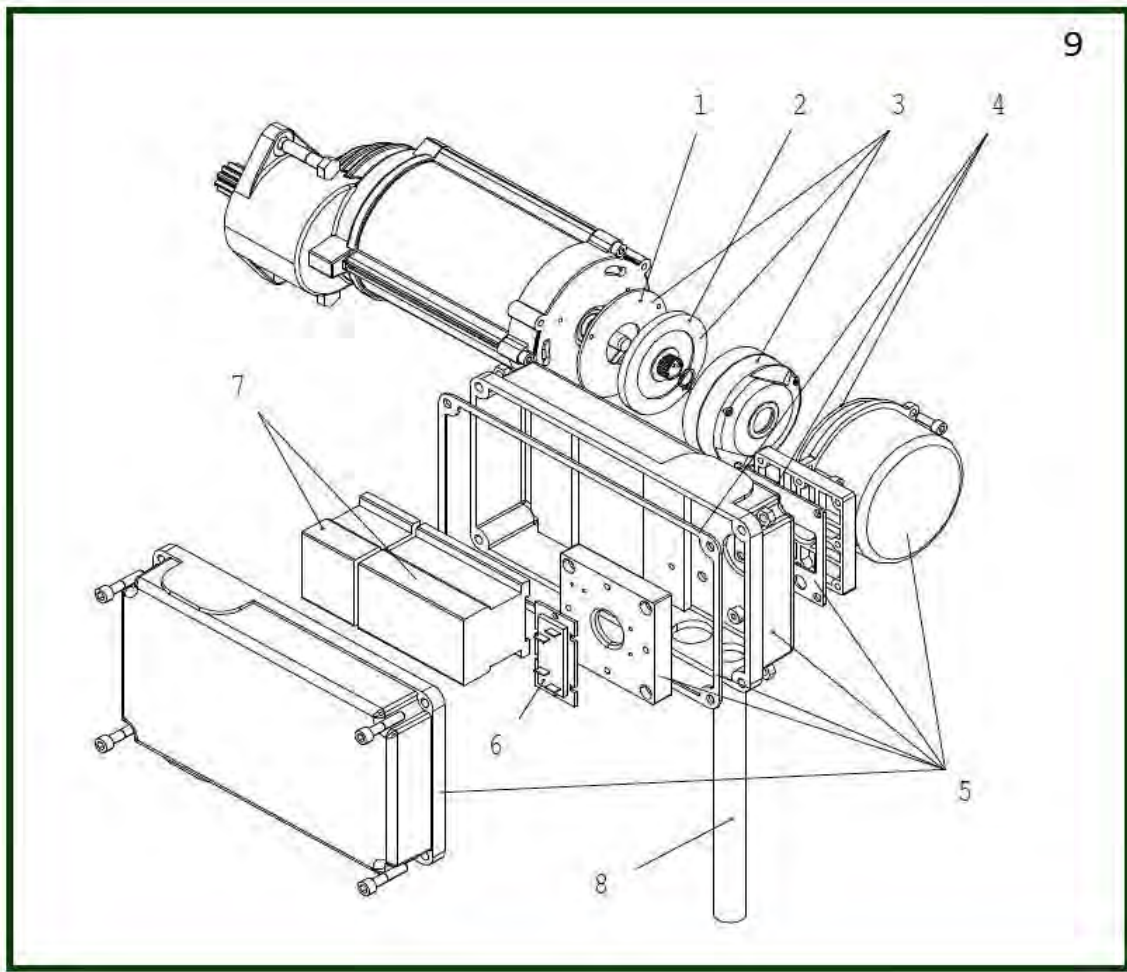
Item	Reference	Description	Observation	Quantity
1	<u>VT0008790</u>	Idler side plate assembly		1
2	<u>VT0008791</u>	Drive side plate assembly		1
3	<u>VT0008787</u>	Travel wheel idler without shaft		1
4	<u>VT0008788</u>	Driving wheel without shaft		1
6	<u>VT0008176</u>	Joint part	Coupled version	1
7	<u>VT0007044</u>	Tie rod set beam - 82 to 110 mm		1
7	<u>VT0007045</u>	Tie rod set beam - 113 to 150 mm		1
7	<u>VT0007046</u>	Tie rod set beam - 155 to 200 mm		1
7	<u>VT0007047</u>	Tie rod set beam - 206 to 248 mm		1
7	<u>VT0007048</u>	Tie rod set beam - 260 to 310 mm		1
8	<u>VT0007098</u>	Limit switch - 1 step		1
8	<u>VT0008775</u>	Limit switch - 2 steps		1
9	<u>VT0008776</u>	Travelling limit switch assembly 1 step		1
9	<u>VT0008777</u>	Travelling limit switch assembly 2 steps		1
10	<u>VT0007088</u>	Rubber buffer	40X20 M10	1
11	<u>VT0008789</u>	Ball bearing		2

7.4. Inverter TMU motor



Item	Reference	Description	Observation	Quantity
1	52890308	Travelling machinery - TMU1	42-230V < 1000 Kg	1
1	52890306	Travelling machinery - TMU2	42-230V > 1000 Kg to 2000	1
2	52296293	Brake repair Set	M06-001V	1
3	52300292	Sealing set	M06-008V	1
4	52907130	Housing set	M06-022V	1
5	52387783	Inverter VT003 TMK003.380 460V/ ctrl 42 230V	Since january 2015 for motor already equipped of this inverter	1
6	52297191	Reducer	GEL105PT1B0	1
7	52303806	Control panel	T50E-TE07	1
8	53050878	Housing set	UKTM/ALTM-NEW	1
9	52305058	Rain cover	All models C1 to C5	1
10	53110165	Connection cable	TMU 1&2	1
11	52908158	Kit fixation		1

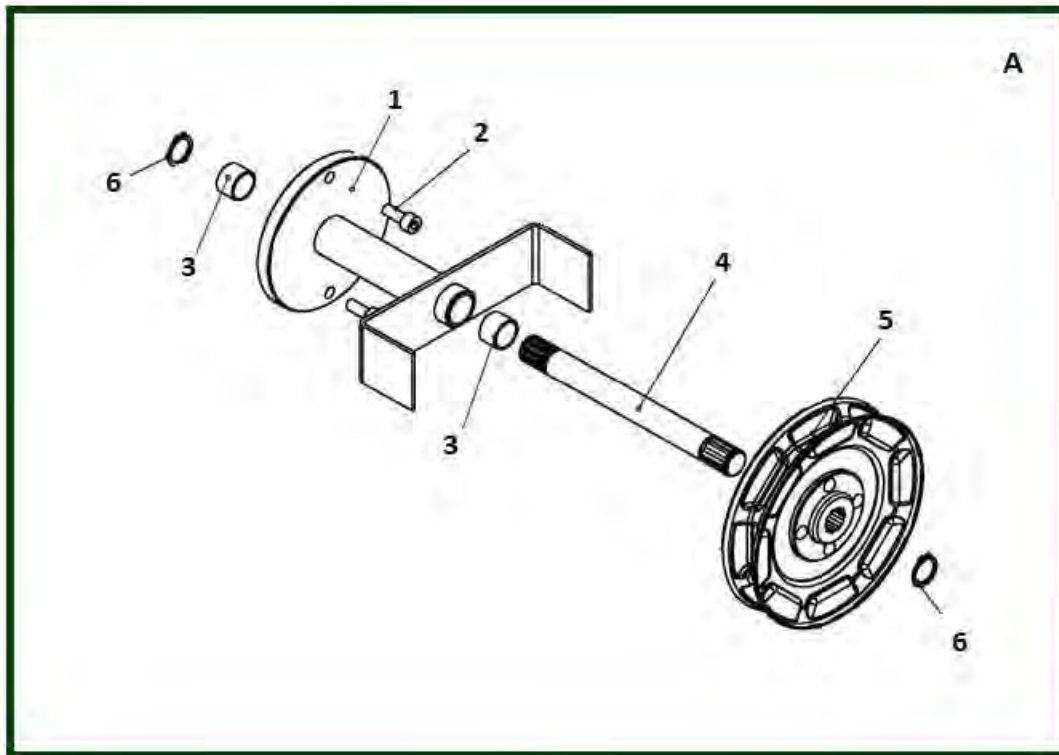
7.5. TMU motor 2 speeds



TMU motor 2 speeds

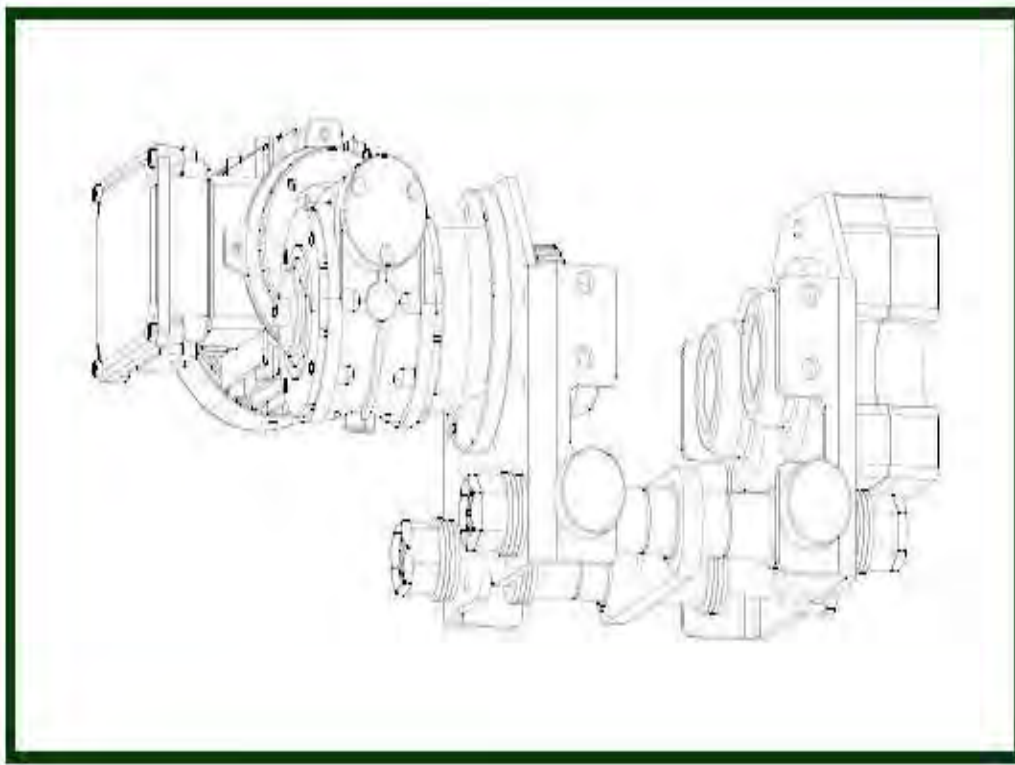
Item	Reference	Description	Observation	Quantity
1	<u>52269590</u>	Friction plate		1
2	<u>52269587</u>	Brake disc		1
3	<u>52318378</u>	Brake disc 180V	MF06MA104	1
3	<u>52318416</u>	Brake disc 240V	MF06MA104	1
3	<u>52318424</u>	Brake disc 290V	MF06MA104	1
4	<u>52300292</u>	Sealing set	M06-008V	1
5	<u>52300291</u>	Terminal box	M06-007V	1
6	<u>15823007</u>	Rectifier	Motor 220V	1
6	<u>15823006</u>	Rectifier	Motor 380 to 550V	1
7	<u>1123052</u>	Reversing contactor	110V	1
7	<u>1113097</u>	Reversing contactor	230V	1
7	<u>1113023</u>	Reversing contactor 400V/48V - LC2ECO9E	LC2ECO9E (7531023V) Hoisting cross travelling	1
7	<u>1113098</u>	Main contactor KAU	230 V 50/60 Hz	1
7	<u>1113021</u>	Selector contactor	48V	1
7	<u>1123050</u>	Selector contactor	110V	1
8	<u>53110165</u>	Connection cable	TMU 1&2	1
9	<u>52782175</u>	TMU motor 2 speeds	230V/48V 50 Hz	1
9	<u>52782173</u>	TMU motor 2 speeds	230V/115V 60 Hz - Standard	1
9	<u>52782176</u>	TMU motor 2 speeds	400V/48V 50 Hz	1
9	<u>52782171</u>	TMU motor 2 speeds	460V/115V 60 Hz - Standard	1
9	<u>52782177</u>	TMU motor 2 speeds	500V/48V 50 Hz	1
9	<u>52782172</u>	TMU motor 2 speeds	575V/115V 60 Hz - Standard	1
-	<u>52305058</u>	Rain cover	All models C1 to C5	1

7.6. Chain travel



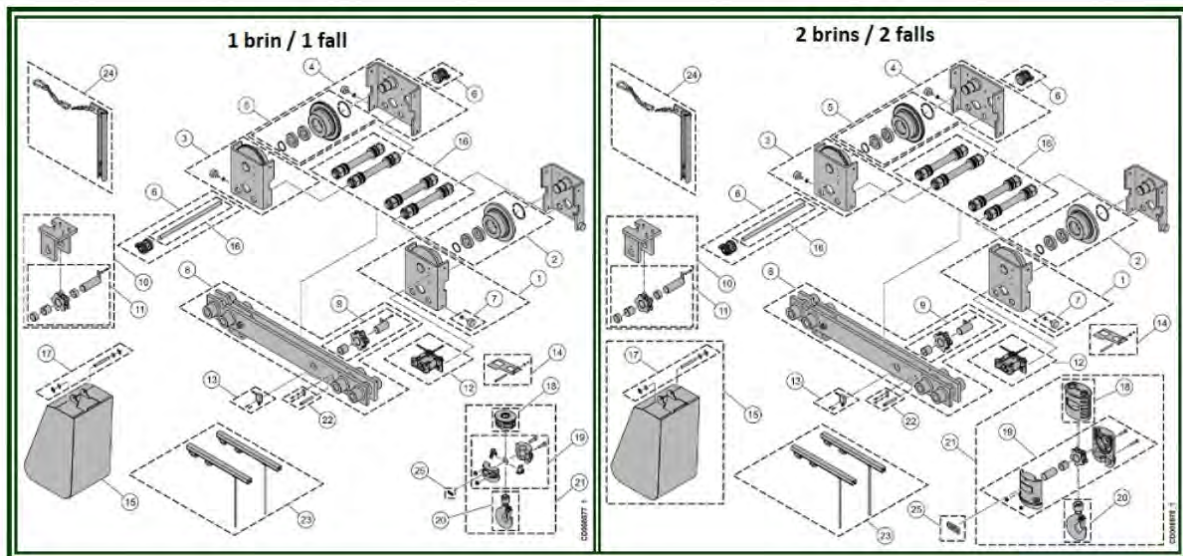
Item	Reference	Description	Observation	Quantity
1	52306328	Support		1
2	830905	CHC Screw 8X20		1
3	993275	Bearing		1
4	52306329	CHM shaft		1
5	400953	Travelling hand wheel - \varnothing 165 mm	3,2T	1
6	400052	Circlips		1
	53020194	Hand chain- 5x27,1	9,8 meters	1
	820003	Galvanized hand chain - 5x27,1		1
A	52306332	Chain operated manual travelling	From C1 to C5	1

7.7. Right angle motor

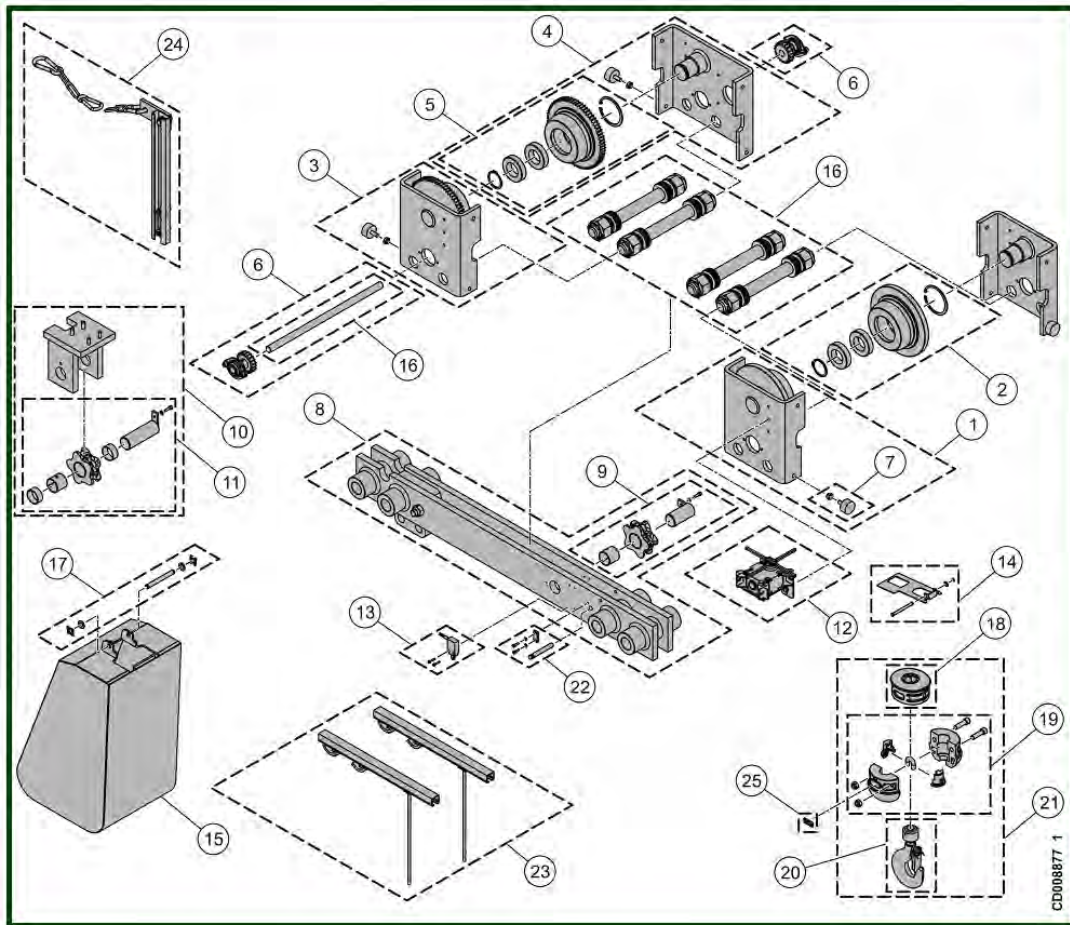


Item	Reference	Description	Observation	Quantity
	551037	Cubicle + Mac 2 pcb		1
	2216904	GMR adaptation set for right angle motor	Pinion, flange, screws	1
	556972	Right angle travelling machinery	Speed 10 & 2.5m/min For C1-C2-C3	1
	2133033	CI board	2VD - MAC	1

8. LOW HEADROOM TROLLEY



8.1. LHT - 1 fall

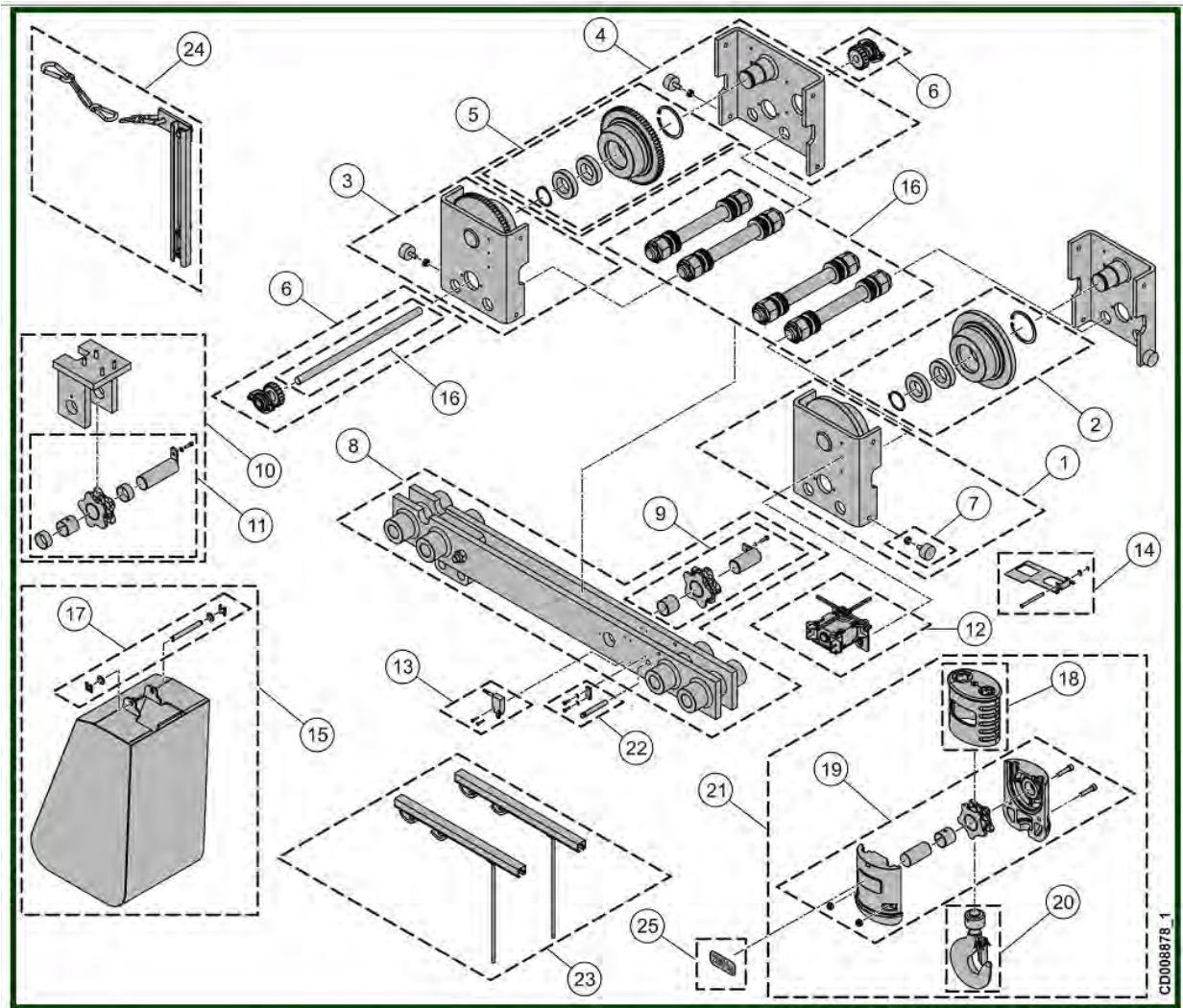


LHT – 1 fall

Item	Reference	Description	Observation	Quantity
1	<u>VT0009490</u>	Side plate - Travel wheel beam	T75E-SF06	2
2	<u>VT0009491</u>	Wheel set; Idle		2
3	<u>VT0009492</u>	Side plate - Driving (BOGGIE)	T75E-SD06	1
4	<u>VT0009493</u>	Side plate - Driving	T75E-SD07	1
5	<u>VT0009494</u>	Wheel set - Driving		2
6	<u>VT0009495</u>	Shaft set	L460	1
7	<u>VT0009496</u>	Rubber	D40 L45 M10	4
8	<u>VT0009497</u>	Cross bar	Less than or equal to 190mm	1
8	<u>VT0009498</u>	Cross bar	Greater than or equal to 300mm	1
9	<u>VT0009340</u>	Return sprocket		1
10	<u>VT0009214</u>	Chain sprocket		1
11	<u>VT0009331</u>	Lifting sprocket		1
12	<u>VT0009499</u>	Limit switch assembly	1 step	1
12	<u>VT0009500</u>	Limit switch assembly	2 steps	1
13	<u>VT0009079</u>	Limit switch assembly		1
14	<u>VT0009078</u>	Limit switch activator set		1
15	<u>VT0006603</u>	Chain bucket	12 & 16m	1
15	<u>VT0007223</u>	Chain bucket	30m - L300 W382 H613	1
15	<u>VT0009501</u>	Chain bucket	50m - L300 W421,5 H811,5	1
16	<u>VT0009482</u>	Tie rod	L 130/138	1
16	<u>VT0009483</u>	Tie rod	L 139/150	1
16	<u>VT0009484</u>	Tie rod	L 151/189	1
16	<u>VT0009485</u>	Tie rod	L 190/197	1
16	<u>VT0009486</u>	Tie rod	L 198/200	1
16	<u>VT0009487</u>	Tie rod	L 201/249	1
16	<u>VT0009488</u>	Tie rod	L 250/299	1
16	<u>VT0009489</u>	Tie rod	L 300/310	1
17	<u>VT0006604</u>	Fixing set of chain bucket	12m & 16m	1
17	<u>VT0009502</u>	Fixing set of chain bucket	30m & 50m	1
18	<u>VT0009503</u>	Buffer		1
19	<u>VT0006593</u>	Half casing set		1
20	<u>VT0006600</u>	Hook assembly	Standard - RSN08	1
21	<u>VT0009505</u>	Complete hook block		1
23	<u>VT0009508</u>	Limit switch activator set		1

24	<u>VT0008761</u>	Towing arm	L 250	1
24	<u>VT0008762</u>	Towing arm	L 450	1
25	<u>VT0006599</u>	Set of 10 load plates - Hook	2500 Kg	1

8.2. LHT - 2 falls



LHT – 2 brins

Elément	Référence	Description	Observation	Quantité
1	<u>VT0009490</u>	Side plate - Travel wheel beam	T75E-SF06	2
2	<u>VT0009491</u>	Wheel set; Idle		2
3	<u>VT0009492</u>	Side plate - Driving (BOGGIE)	T75E-SD06	1
4	<u>VT0009493</u>	Side plate - Driving	T75E-SD07	1
5	<u>VT0009494</u>	Wheel set - Driving		2
6	<u>VT0009495</u>	Shaft set	L460	1
7	<u>VT0009496</u>	Rubber	D40 L45 M10	4
8	<u>VT0009497</u>	Cross bar	Less than or equal to 190mm	1
8	<u>VT0009498</u>	Cross bar	Greater than or equal to 300mm	1
9	<u>VT0009340</u>	Return sprocket		1
10	<u>VT0009214</u>	Chain sprocket		1
11	<u>VT0009331</u>	Lifting sprocket		1
12	<u>VT0009499</u>	Limit switch assembly	1 seuil	1
12	<u>VT0009500</u>	Limit switch assembly	2 seuils	1
13	<u>VT0009079</u>	Limit switch assembly		1
14	<u>VT0009078</u>	Limit switch activator set		1
15	<u>VT0006603</u>	Chain bucket	12 & 16m	1
15	<u>VT0007223</u>	Chain bucket	30m - L300 W382 H613	1
15	<u>VT0009501</u>	Chain bucket	50m - L300 W421,5 H811,5	1
16	<u>VT0009482</u>	Tie rod	L 130/138	1
16	<u>VT0009483</u>	Tie rod	L 139/150	1
16	<u>VT0009484</u>	Tie rod	L 151/189	1
16	<u>VT0009485</u>	Tie rod	L 190/197	1
16	<u>VT0009486</u>	Tie rod	L 198/200	1
16	<u>VT0009487</u>	Tie rod	L 201/249	1
16	<u>VT0009488</u>	Tie rod	L 250/299	1
16	<u>VT0009489</u>	Tie rod	L 300/310	1
17	<u>VT0006604</u>	Fixing set of chain bucket	12m & 16m	1
17	<u>VT0009502</u>	Fixing set of chain bucket	30m & 50m	1
18	<u>VT0009504</u>	Buffer		1
19	<u>VT0006611</u>	Half casing set		1
20	<u>VT0006613</u>	Hook assembly	Standard - RSN08	1
21	<u>VT0009506</u>	Complete hook block		1
22	<u>VT0009507</u>	Anchor set		

23	<u>VT0009508</u>	Limit switch activator set		1
24	<u>VT0008761</u>	Towing arm	L 250	1
24	<u>VT0008762</u>	Towing arm	L 450	1
25	<u>VT0006599</u>	Set of 10 load plates - Hook	2500 Kg	1
26	<u>VT0007826</u>	Set of 10 load plates - Hook	5000 Kg	1