

## Spare parts catalog for "VR05 – PHASE 1"

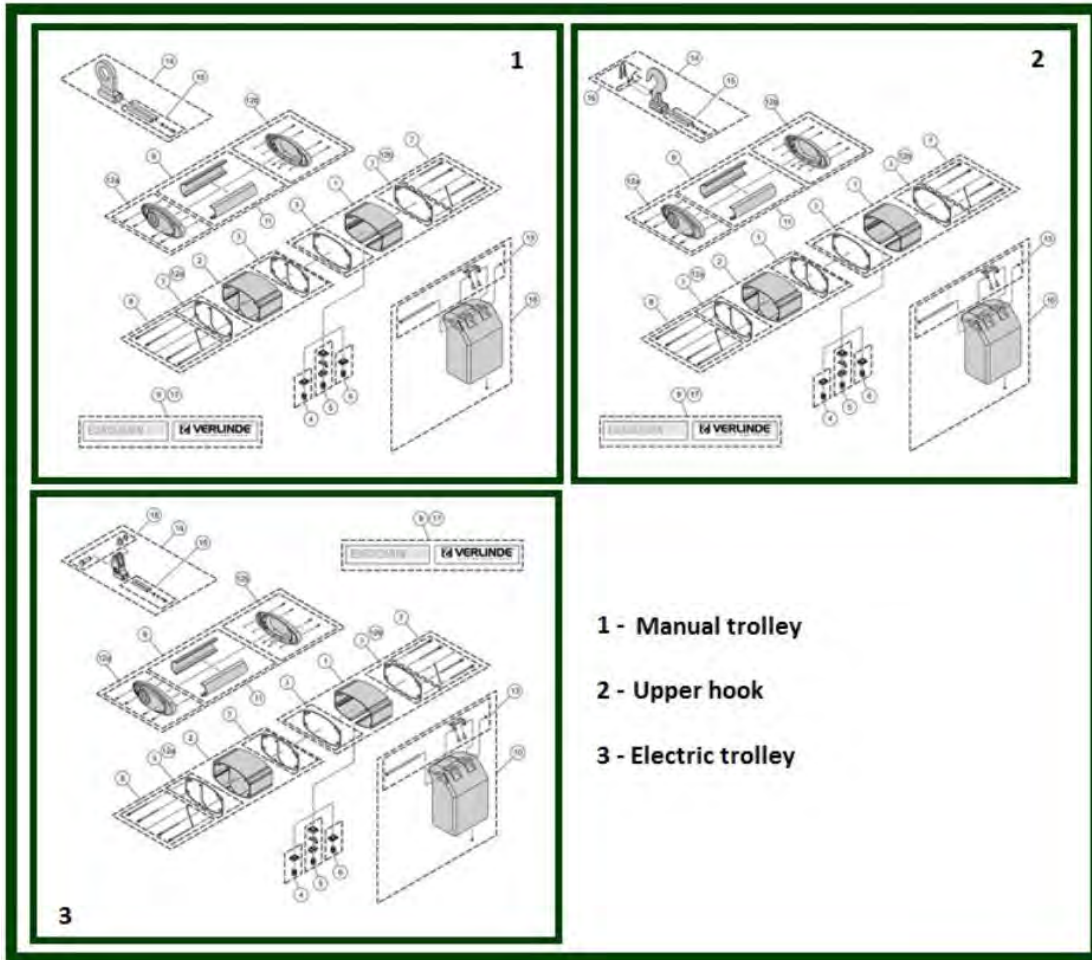
To avoid errors, when ordering please specify:

- Complete type of hoist
- Date of manufacture and serial number
- Spare part code
- Spare part designation
- Additional information

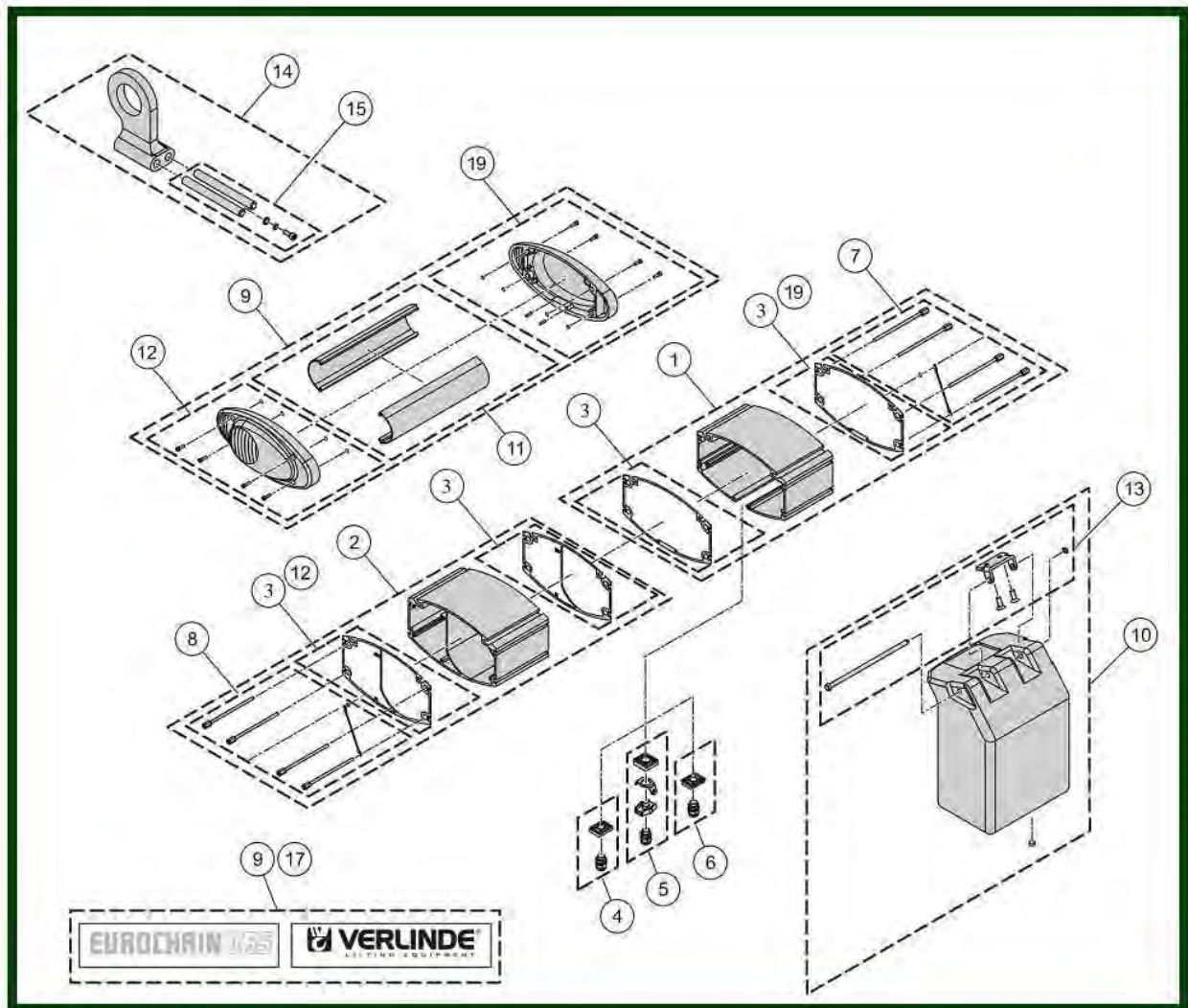


<b>1.</b>	<b>FRAME.....</b>	<b>3</b>
	1.1. Manual trolley.....	4
	1.2. Upper hook.....	6
	1.3. Electric trolley.....	8
<b>2.</b>	<b>CHAIN GUIDE.....</b>	<b>10</b>
	2.1. Chain 5x14 + Hook block.....	11
	2.2. Chain 4x11 + Hooblock.....	13
	2.3. Chain 5x14 – Digichain.....	15
	2.4. Precut chain.....	17
<b>3.</b>	<b>GEAR.....</b>	<b>18</b>
<b>4.</b>	<b>MOTOR.....</b>	<b>20</b>
	4.1. Single brake.....	21
	4.2. Double brakes.....	23
<b>5.</b>	<b>ELECTRICAL PARTS.....</b>	<b>25</b>
	5.1. Solo Equipment– Standard.....	26
	5.2. Equipment for Eurosystem - Acier-Alu. & PRV.....	29
	5.3. Equipment for crane kit - For UT+GTR+GTN.....	32
	5.4. Without electric component.....	34
	5.5. Direct voltage – ACF.....	35
	5.6. Solo hoist- Hard wiring.....	36
<b>6.</b>	<b>PUSH BUTTON CONTROLLER.....</b>	<b>37</b>
	6.1. 2 buttons.....	38
	6.2. 4 buttons.....	40
	6.3. 6 buttons.....	42
	6.4. Push buttons – From september 2014.....	43
<b>7.</b>	<b>NORMAL HEADROOM TROLLEY.....</b>	<b>46</b>
	7.1. C1 trolley - 0 to 1000 kg – Hanging version.....	47
	7.2. C1 trolley - 0 to 1000 kg – Hanging version.....	48
	7.3. C2 trolley - 1001 to 2000 kg – Hanging version.....	49
	7.4. C2 trolley - 1001 to 2000 kg – Coupled version.....	51
	7.5. Inverter TMU motor.....	53
	7.6. Two speeds TMU motor.....	55
	7.7. Chain travel.....	57
	7.8. Right angle motor.....	58
<b>8.</b>	<b>LOW HEADROOM TROLLEY.....</b>	<b>59</b>

# 1. FRAME



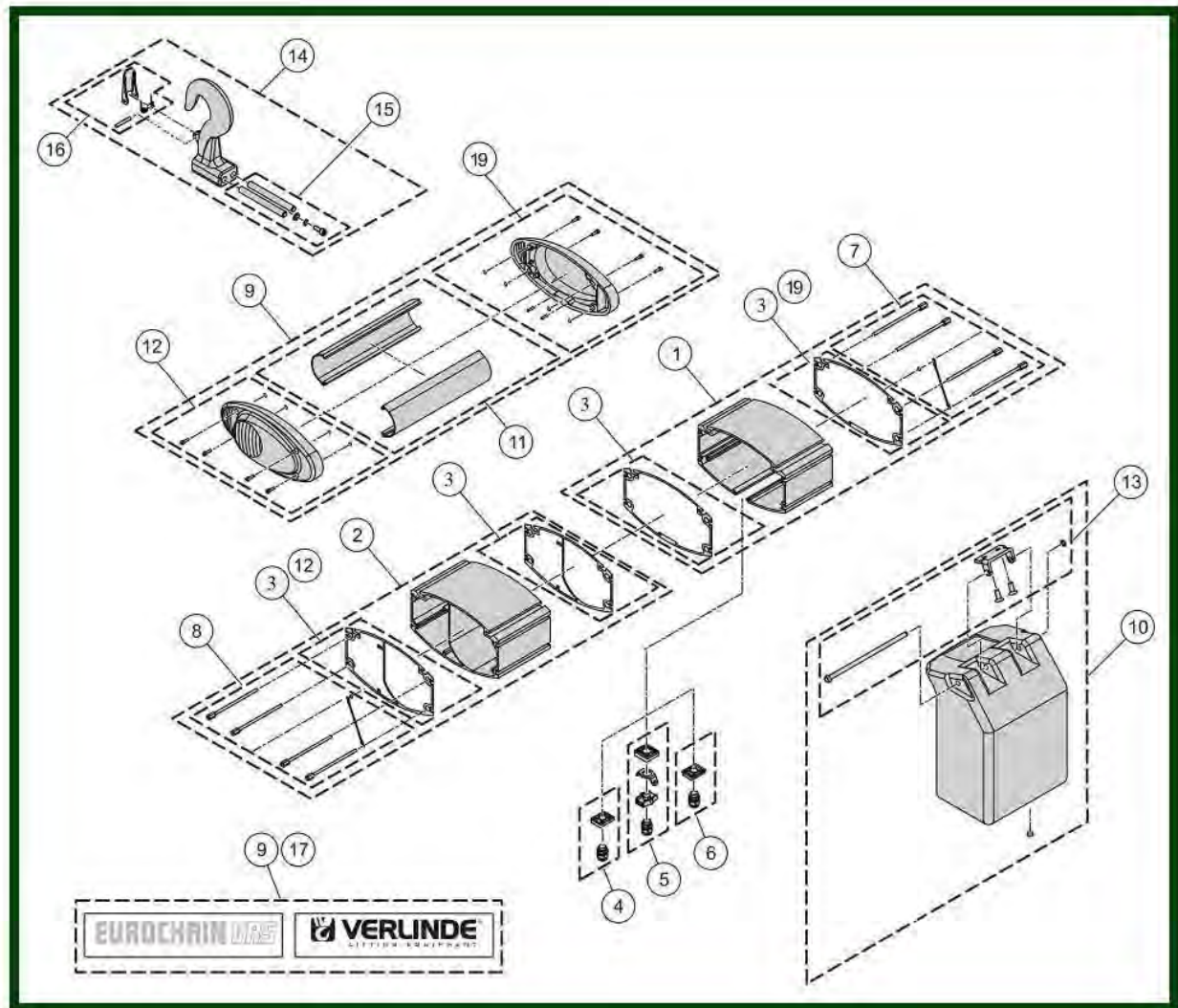
## 1.1. Manual trolley



## Manual trolley

Item	Reference	Description	Observation	Quantity
1	<u>VT0004903</u>	Frame - Brake side	Single brake	1
2	<u>VT0004555</u>	Frame - Motor side	Standard : Single brake & double brakes GLS : Double brakes	1
3	<u>VT0004857</u>	Sealings set		1
4	<u>VT0006454</u>	Cable gland set flat cable Square cable entry	12G1.5/4G2.5/4G6mm2 - ISO 25	1
4	<u>VT0006326</u>	Cable gland set Square cable entry	Flat cable 4G2.5	1
4	<u>VT0006393</u>	Cable gland set Square cable entry	CG M20- ISO 20 Trolley-Power supply	1
5	<u>VT0005090</u>	Cable gland set Square cable entry	Push buttons	1
6	<u>VT0006089</u>	End cap Square cable entry		1
7	<u>VT0006327</u>	Screw set M6L147 - Brake side	Standard + GLS - 2 comes Single brake	1
8	<u>VT0006328</u>	Screw set M6L161 - Motor side	Standard + GLS Single brake & Double brakes	1
9	<u>VT0006334</u>	Cover	Single brake	1
10	<u>VT0004964</u>	Chain bucket	8 m for 5x14 12 m for 4x11	1
10	<u>VT0006358</u>	Chain bucket	16 m for 5x14	1
10	<u>VT0006002</u>	Chain bucket	30 m for 5x14 50 m for 4x11 Industrial / Normal	1
11	<u>VT0004858</u>	Housing	Single brake	1
12	<u>VT0006335</u>	Cover set - Motor side		1
13	<u>VT0004860</u>	Fixing set of chain bucket	30 m – Industrial / Normal	1
14	<u>VT0004966</u>	Coupling part	Manual trolley	1
15	<u>VT0007582</u>	Shaft set		1
15	<u>VT0004862</u>	Shaft set	Rotating + fixed upper hook	1
17	<u>VT0006337</u>	Stickers of brand	Single brake	1
19	<u>VT0006336</u>	Cover set- Brake side	VERLINDE	1
	<u>VT0006026</u>	Identification plate	Serial number request	1
	<u>VT0006091</u>	Set of 10 load plates	250 Kg	1
	<u>VT0006449</u>	Set of 10 load plates	320 Kg	1
	<u>VT0006048</u>	Set of 10 load plates	500 Kg	1
	<u>VT0006049</u>	Set of 10 load plates	630 Kg	1

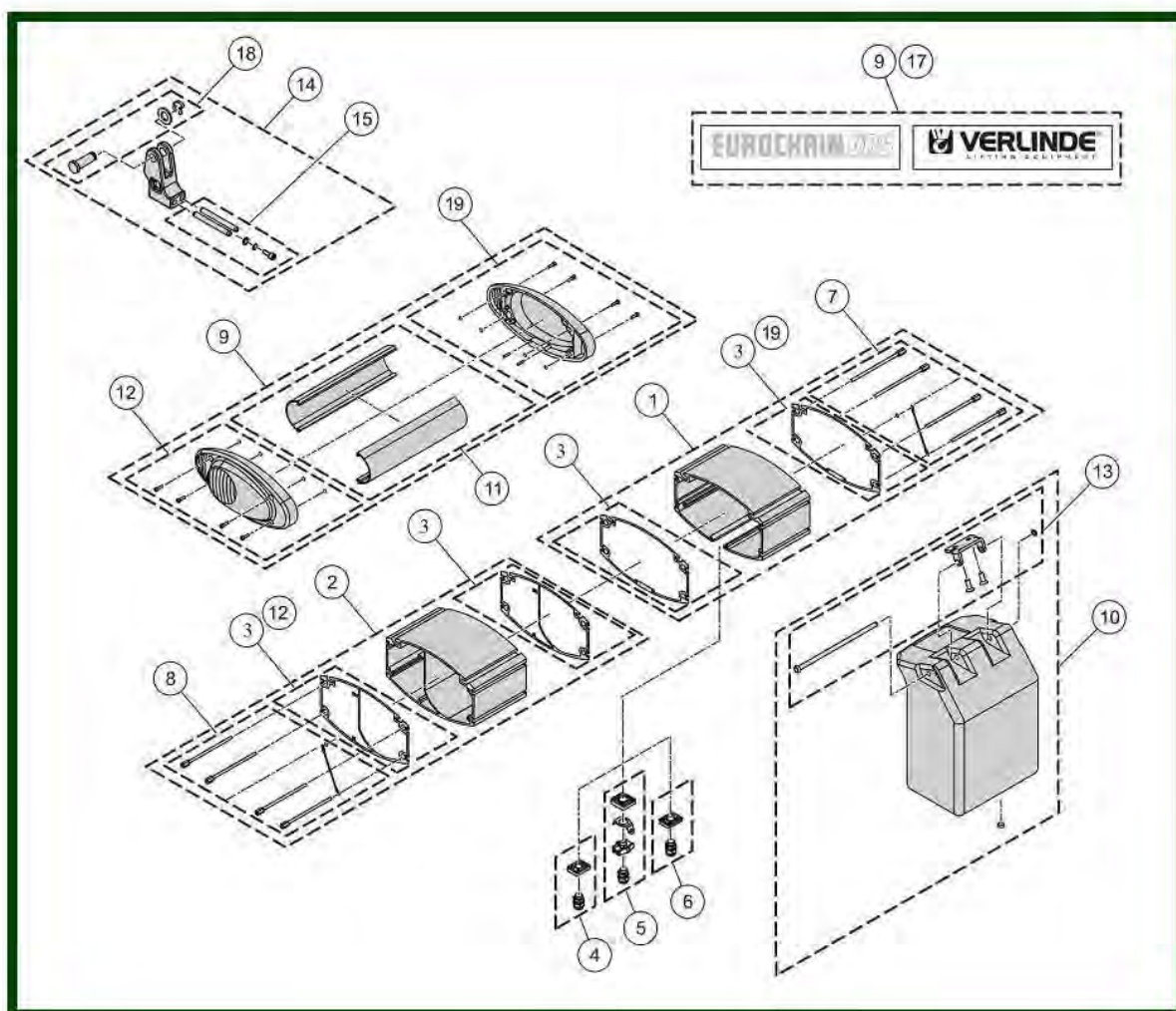
## 1.2. Upper hook



## Upper hook

Item	Reference	Description	Observation	Quantity
1	<u>VT0004903</u>	Frame - Brake side	Single brake	1
2	<u>VT0004555</u>	Frame - Motor side	Standard : Single brake & double brakes GLS : Double brakes	1
3	<u>VT0004857</u>	Sealings set		1
4	<u>VT0006454</u>	Cable gland set flat cable Square cable entry	12G1.5/4G2.5/4G6mm2 - ISO 25	1
4	<u>VT0006326</u>	Cable gland set Square cable entry	Flat cable 4G2.5	1
4	<u>VT0006393</u>	Cable gland set Square cable entry	CG M20- ISO 20 Trolley - Power supply	1
5	<u>VT0005090</u>	Cable gland set Square cable entry	Push buttons	1
6	<u>VT0006089</u>	End cap Square cable entry		1
7	<u>VT0006327</u>	Screw set M6L147 - Brake side	Standard + GLS 2 Single brake	1
8	<u>VT0006328</u>	Screw set M6L161 - Motor side	Standard + GLS Single brake & Double brakes	1
9	<u>VT0006334</u>	Cover	Single brake	1
10	<u>VT0004964</u>	Chain bucket	8 m for 5x14 12 m for 4x11	1
10	<u>VT0006358</u>	Chain bucket	16 m for 5x14	1
10	<u>VT0006002</u>	Chain bucket	30 m for 5x14 50 m for/ 4x11 Industrial / Normal	1
11	<u>VT0004858</u>	Housing	Single brake	1
12	<u>VT0006335</u>	Cover set- Motor side		1
13	<u>VT0004860</u>	Fixing set of chain bucket	30 m – Industrial / Normal	1
14	<u>VT0004967</u>	Upper hook		1
15	<u>VT0007582</u>	Shaft set		1
15	<u>VT0004862</u>	Shaft set	Rotating + fixed upper hook	1
16	<u>VT0004968</u>	Safety latch set	Single brake – Standard safety hook 0,12T - 0,25T	1
17	<u>VT0006337</u>	Stickers of brand	Single brake	1
19	<u>VT0006336</u>	Cover set- Brake side	VERLINDE	1
	<u>VT0006026</u>	Identification plate	Serial number request	1
21	<u>VT0006091</u>	Set of 10 load plates	250 Kg	1
21	<u>VT0006449</u>	Set of 10 load plates	320 Kg	1
21	<u>VT0006048</u>	Set of 10 load plates	500 Kg	1
21	<u>VT0006049</u>	Set of 10 load plates	630 Kg	1

### 1.3. Electric trolley

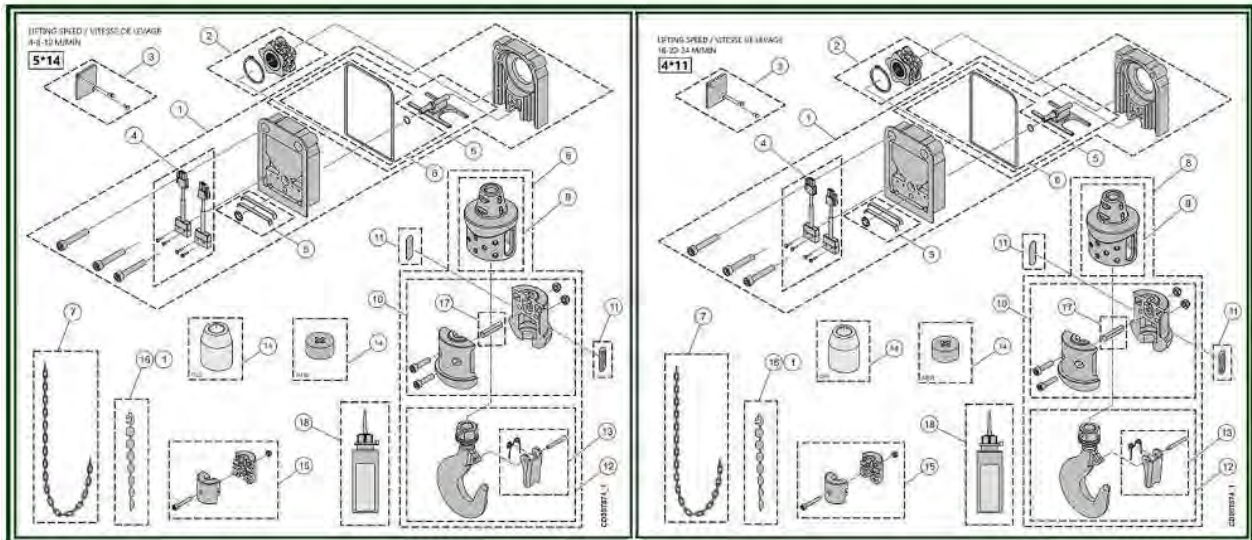




## Electric trolley

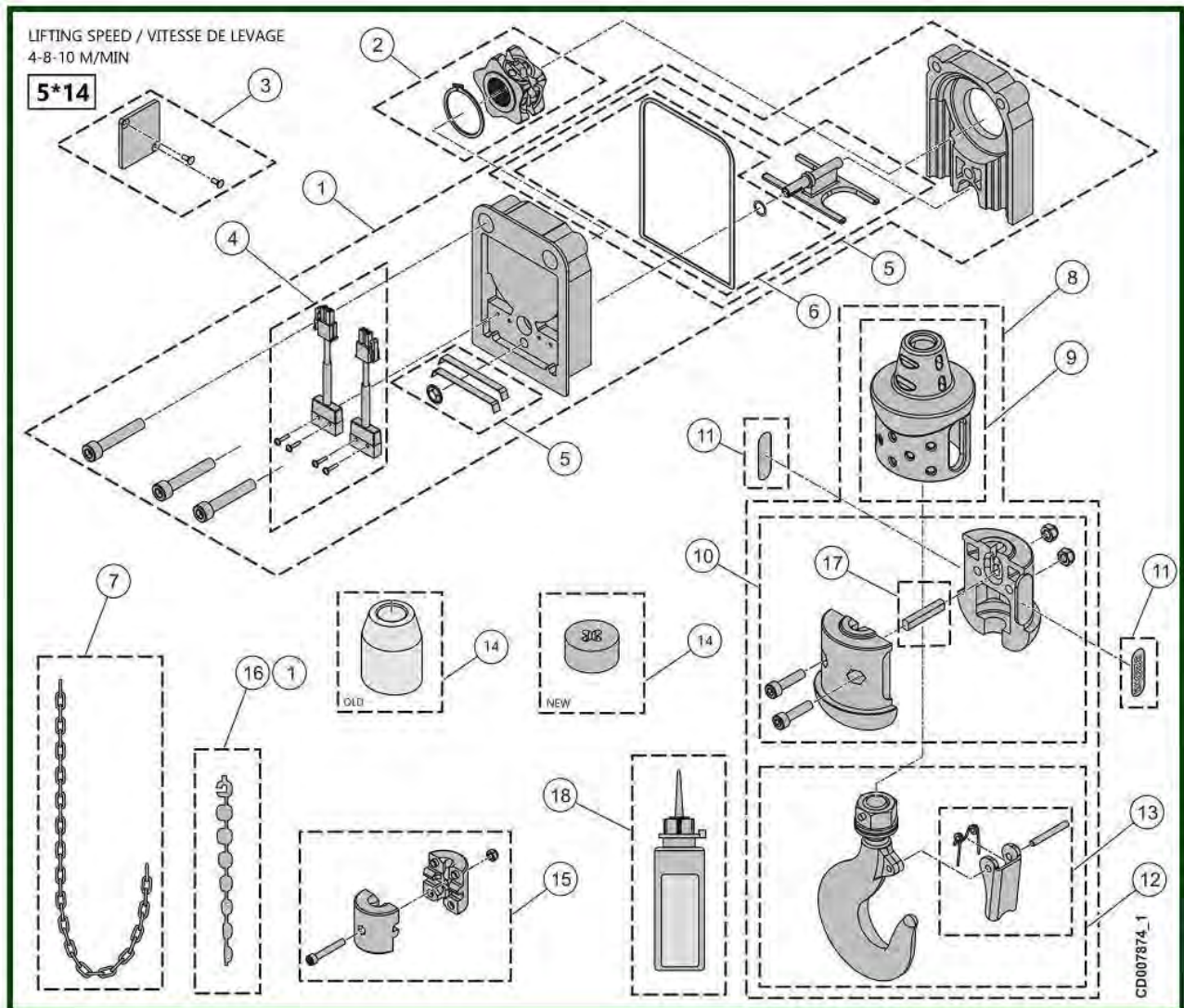
Item	Reference	Description	Observation	Quantity
1	<u>VT0004903</u>	Frame - Brake side	Single brake	1
2	<u>VT0004555</u>	Frame - Motor side	Standard : Single brake & double brakes GLS : Double brakes	1
3	<u>VT0004857</u>	Sealings set		1
4	<u>VT0006454</u>	Cable gland set flat cable Square cable entry	12G1.5/4G2.5/4G6mm2 - ISO 25	1
4	<u>VT0006326</u>	Cable gland set Square cable entry	Flat cable 4G2.5	1
4	<u>VT0006393</u>	Cable gland set Square cable entry	CG M20- ISO 20 Trolley-Power supply	1
5	<u>VT0005090</u>	Cable gland set Square cable entry	Push buttons	1
6	<u>VT0006089</u>	End cap Square cable entry		1
7	<u>VT0006327</u>	Screw set M6L147 - Brake side	Standard + GLS 2 comes Single brake	1
8	<u>VT0006328</u>	Screw set M6L161 - Motor side	Standard + GLS Single brake & Double brakes	1
9	<u>VT0006334</u>	Cover	Single brake	1
10	<u>VT0004964</u>	Chain bucket	8 m for 5x14 12 m for 4x11	1
10	<u>VT0006002</u>	Chain bucket	30 m for 5x14 50 m for 4x11 Industrial / Normal	1
11	<u>VT0004858</u>	Housing	Single brake	1
12	<u>VT0006335</u>	Cover set - Motor side		1
13	<u>VT0004860</u>	Fixing set of chain bucket	30 m – Industrial / Normal	1
14	<u>VT0006331</u>	Coupling part	Electric trolley	1
15	<u>VT0004862</u>	Shaft set		1
17	<u>VT0006337</u>	Stickers of brand	Single brake	1
18	<u>VT0006338</u>	Shaft set	Electric trolley	1
19	<u>VT0006336</u>	Cover set- Brake side	VERLINDE	1
	<u>VT0006091</u>	Set of 10 load plates	250 Kg	1
	<u>VT0006449</u>	Set of 10 load plates	320 Kg	1
	<u>VT0006048</u>	Set of 10 load plates	500 Kg	1
	<u>VT0006049</u>	Set of 10 load plates	630 Kg	1
	<u>VT0006026</u>	Identification plate	Serial number request	1

## 2. CHAIN GUIDE



## 2.1. Chain 5x14 + Hook block

Lifting speed : 4-8-10 m / min

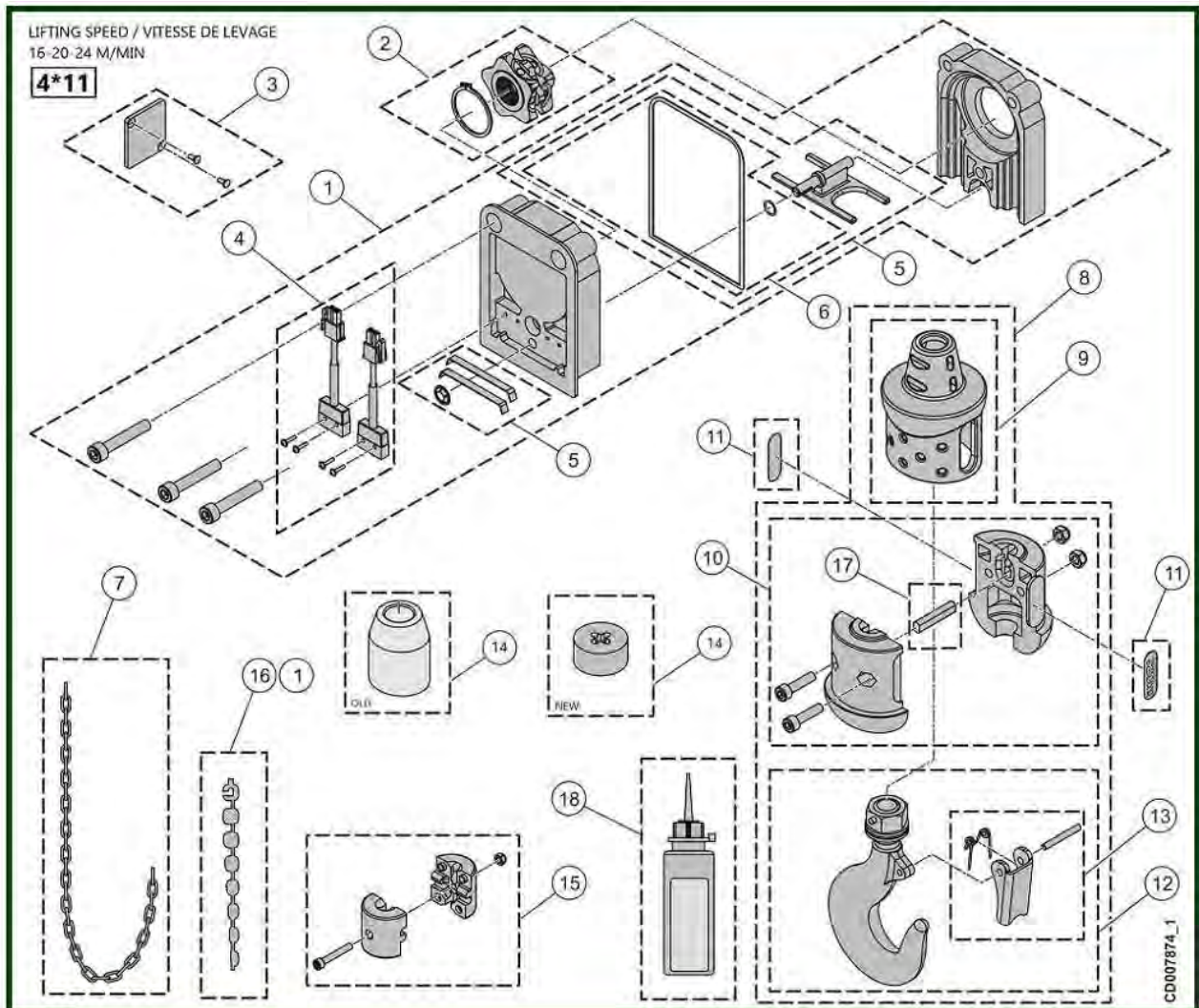


Chain 5x14 + Hook block

Item	Reference	Description	Observation	Quantity
1	<u>VT0004875</u>	Chain guide - Chain 5x14	Inverted version	1
2	<u>VT0005106</u>	Chain sprocket		1
3	<u>VT0004870</u>	Cap		1
4	<u>VT0004876</u>	Switch set		1
5	<u>VT0004872</u>	Limit switch activator		1
6	<u>VT0004871</u>	Sealings set		1
7	<u>VT0006343</u>	Stainless steel chain - 5x14		1
7	<u>VT0005109</u>	Galvanized standard chain - 5x14		1
8	<u>VT0006487</u>	Hook block- 1 fall	Stainless steel hook	1
8	<u>VT0004969</u>	Hook block- 1 fall	Standard safety hook	1
8	<u>VT0006488</u>	Hook block- 1 fall	Automatic hook	1
9	<u>VT0004971</u>	Rubber chain stop		1
10	<u>VT0004873</u>	Half casing set	Standard safety hook	1
11	<u>VT0006340</u>	Set of 10 load plates	250 Kg	1
11	<u>VT0006341</u>	Set of 10 load plates	320 Kg	1
11	<u>VT0006041</u>	Set of 10 load plates	500 Kg	1
11	<u>VT0006342</u>	Set of 10 load plates	630 Kg	1
12	<u>VT0006453</u>	Automatic hook		1
12	<u>VT0006452</u>	Stainless steel hook		1
12	<u>VT0004975</u>	Standard safety hook		1
13	<u>VT0004968</u>	Safety latch set	Single brake-Standard safety hook 0,12T-0,25T	1
14	<u>VT0004934</u>	Rubber chain stop Old model	<b>Be careful :</b> Never use as chain stop side hook	1
14	<u>VT0007024</u>	Rubber chain stop New model	Since 24/06/2015	1
15	<u>VT0004877</u>	Chain stop		1
16	<u>VT0005574</u>	Chain fitting tool		1
17	<u>VT0006240</u>	Shaft		1
18	<u>VT0006025</u>	Oil can		1

## 2.2. Chain 4x11 + Hooblock

Lifting speed : 16-20-24 m / min

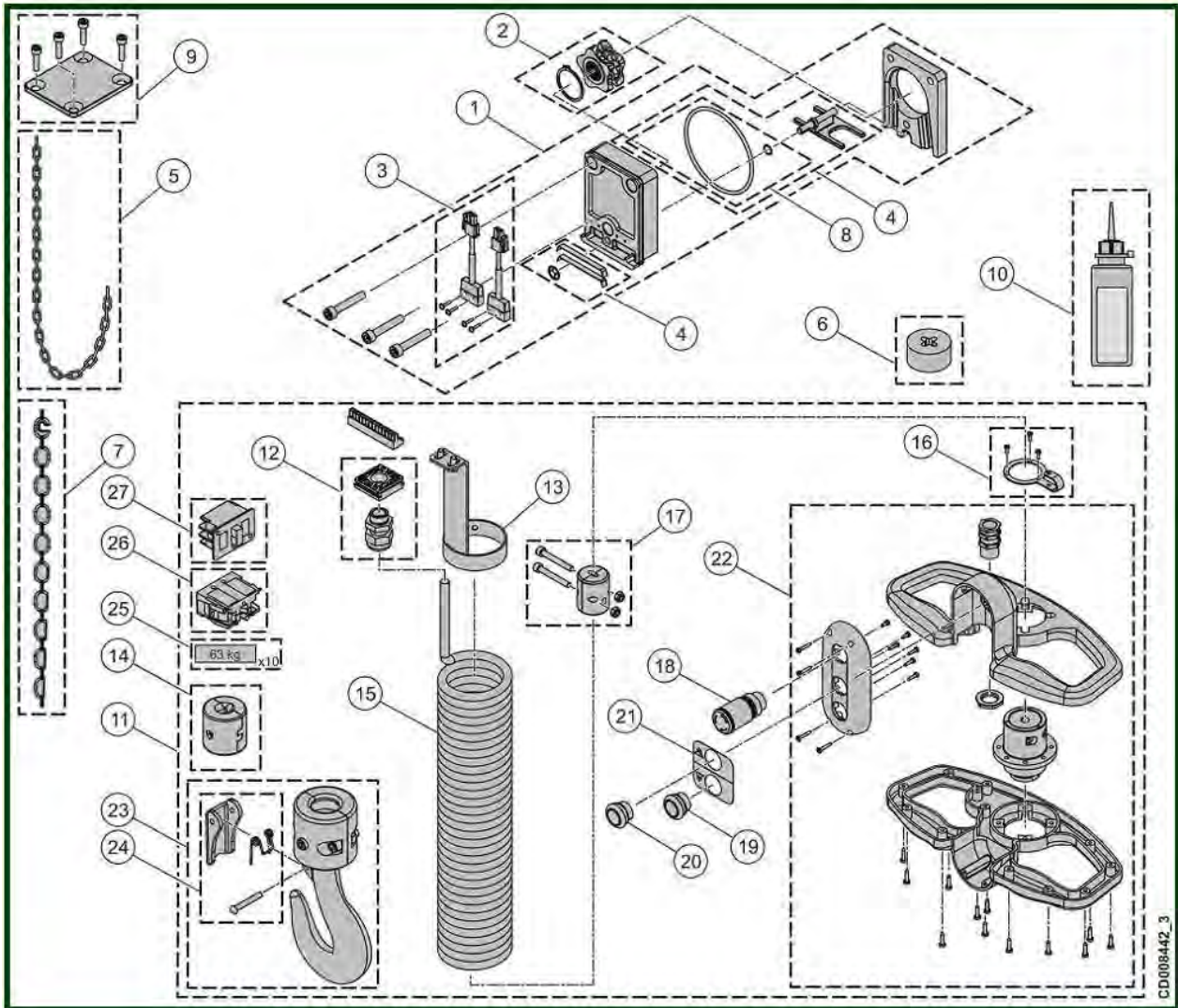


Chain 4x11 + Hooblock

Lifting speed : 16-20-24 m / min

Item	Reference	Description	Observation	Quantity
1	<u>VT0005111</u>	Chain guide- Chain 4x11		1
2	<u>VT0005110</u>	Chain sprocket		1
3	<u>VT0004870</u>	Cap	Chain guide	1
4	<u>VT0004876</u>	Switch set		1
5	<u>VT0004872</u>	Limit switch activator		1
6	<u>VT0004871</u>	Sealings set		1
7	<u>VT0005076</u>	Galvanized chain- 4x11	Standard	1
7	<u>VT0006274</u>	Stainless steel chain- 4x11	Be careful : hoist downgraded	1
8	<u>VT0006490</u>	Hook block- 1 fall	Automatic hook	1
8	<u>VT0006489</u>	Hook block- 1 fall	Stainless steel hook	1
8	<u>VT0004928</u>	Hook block- 1 fall	Standard safety hook	1
9	<u>VT0004930</u>	Rubber chain stop		1
10	<u>VT0004725</u>	Half casing set		1
11	<u>VT0006346</u>	Set of 10 load plates	250 Kg	1
11	<u>VT0006347</u>	Set of 10 load plates	320 Kg	1
12	<u>VT0006455</u>	Hook assembly	BE CAREFUL : Stainless steel chain The max load have to be decreased	1
12	<u>VT0004926</u>	Hook assembly	Standard	1
12	<u>VT0006427</u>	Lower hook assembly	Automatic - 1+2 falls	1
13	<u>VT0004927</u>	Safety latch set	Standard safety hook (VT0005901)	1
14	<u>VT0004934</u>	Rubber chain stop Old model	BE CAREFUL: Never use as chain stop side hook	1
14	<u>VT0007576</u>	Rubber chain stop	Since 17/06/2015	1
15	<u>VT0004878</u>	Chain stop		1
16	<u>VT0005573</u>	Chain fitting tool	CHCM-011	1
17	<u>VT0006093</u>	Pin		1
18	<u>VT0006025</u>	Oil can		1

## 2.3. Chain 5x14 – Digichain



## Chain 5x14 – Digichain

Item	Reference	Description	Observation	Quantity
1	<u>VT0004875</u>	Chain guide - Chain 5x14	Inverted version	1
2	<u>VT0005106</u>	Chain sprocket		1
3	<u>VT0004876</u>	Switch set		1
4	<u>VT0004872</u>	Limit switch activator		1
5	<u>VT0006343</u>	Stainless steel chain - 5x14		1
5	<u>VT0005109</u>	Galvanized standard chain - 5x14		1
6	<u>VT0007024</u>	Rubber chain stop	Since 24/06/2015	1
7	<u>VT0005574</u>	Chain fitting tool		1
8	<u>VT0004871</u>	Sealings set		1
9	<u>VT0004870</u>	Cap	Chain guide	1
10	<u>VT0006025</u>	Oil can		1
11	<u>VT0006333</u>	Sub assy Digichain	Lg 3 m	1
11	<u>VT0009238</u>	Sub assy Digichain	Lg 5 m	1
12	<u>VT0006393</u>	Cable gland set Square cable entry	CG M20- ISO 20 Trolley-Power supply	1
13	<u>VT0009203</u>	Fixing set	D70H148	1
14	<u>VT0004877</u>	Chain stop		1
15	<u>VT0009205</u>	Spiral cable	Lg 3m	1
15	<u>VT0009206</u>	Spiral cable	Lg 5m	1
16	<u>VT0008839</u>	Fixing plate		1
17	<u>VT0009207</u>	Coupling set	D35H45	1
18	<u>VT0006548</u>	Emergency push button		1
19	<u>VT0009208</u>	White button	XACA9411	1
20	<u>VT0009209</u>	Push button	XACA9412	1
21	<u>VT0009210</u>	Up & down sticker	CCGCPBPB-00	1
22	<u>VT0009211</u>	Pendant box module	CC05PBPB-01	1
23	<u>VT0009014</u>	Standard safety hook	RSN020T-HCH	1
24	<u>VT0004968</u>	Safety latch set	Single brake - 0,12T-0,25T Standard safety hook	1

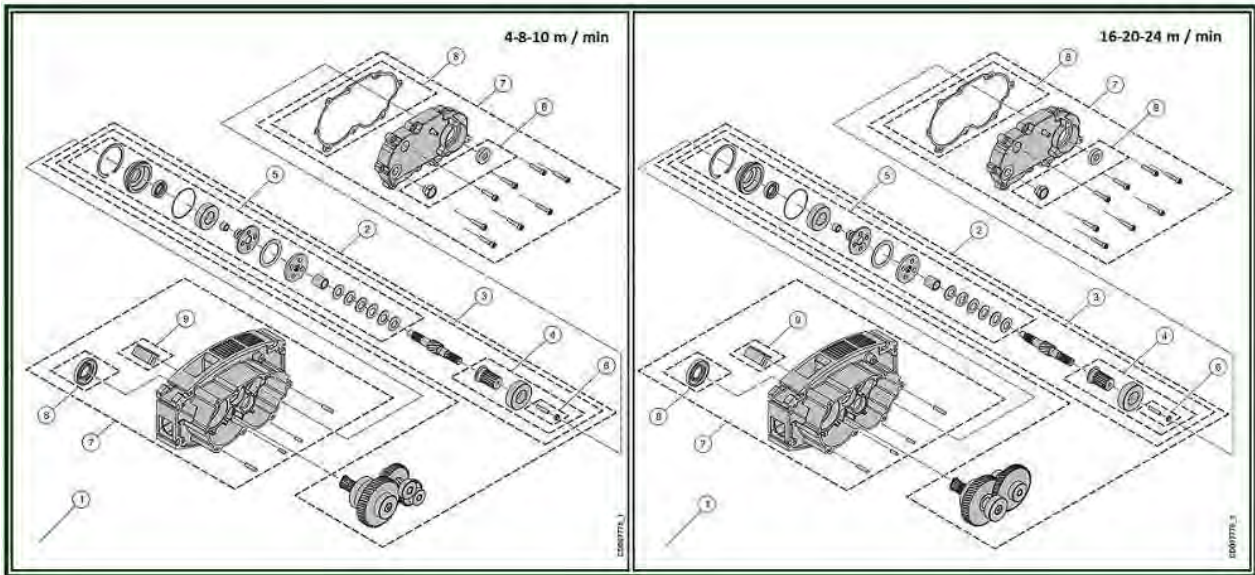


25	<a href="#"><u>VT0009164</u></a>	Set of 10 load plates	63 kg	1
25	<a href="#"><u>VT0009165</u></a>	Set of 10 load plates	80 kg	1
25	<a href="#"><u>VT0009166</u></a>	Set of 10 load plates	125 kg	1
25	<a href="#"><u>VT0009167</u></a>	Set of 10 load plates	160 kg	1
25	<a href="#"><u>VT0009168</u></a>	Set of 10 load plates	250 kg	1
25	<a href="#"><u>VT0009169</u></a>	Set of 10 load plates	320 kg	1
25	<a href="#"><u>VT0009170</u></a>	Set of 10 load plates	500 kg	1
26	<a href="#"><u>VT0009212</u></a>	Contact block	XAC-S 414	1
27	<a href="#"><u>VT0007879</u></a>	Contact block	XENG1191	1

## 2.4 Precut chain

Item	Reference	Description	Observation	Quantity
	<a href="#"><u>53020235</u></a>	Galvanized load chain 4x11	4 m	1
	<a href="#"><u>53020251</u></a>	Galvanized load chain 4x11	6 m	1
	<a href="#"><u>53020218</u></a>	Galvanized load chain 5x14	3,5 m	1
	<a href="#"><u>53020220</u></a>	Galvanized load chain 5x14	5 m	1
	<a href="#"><u>53020221</u></a>	Galvanized load chain 5x14	10 m	1

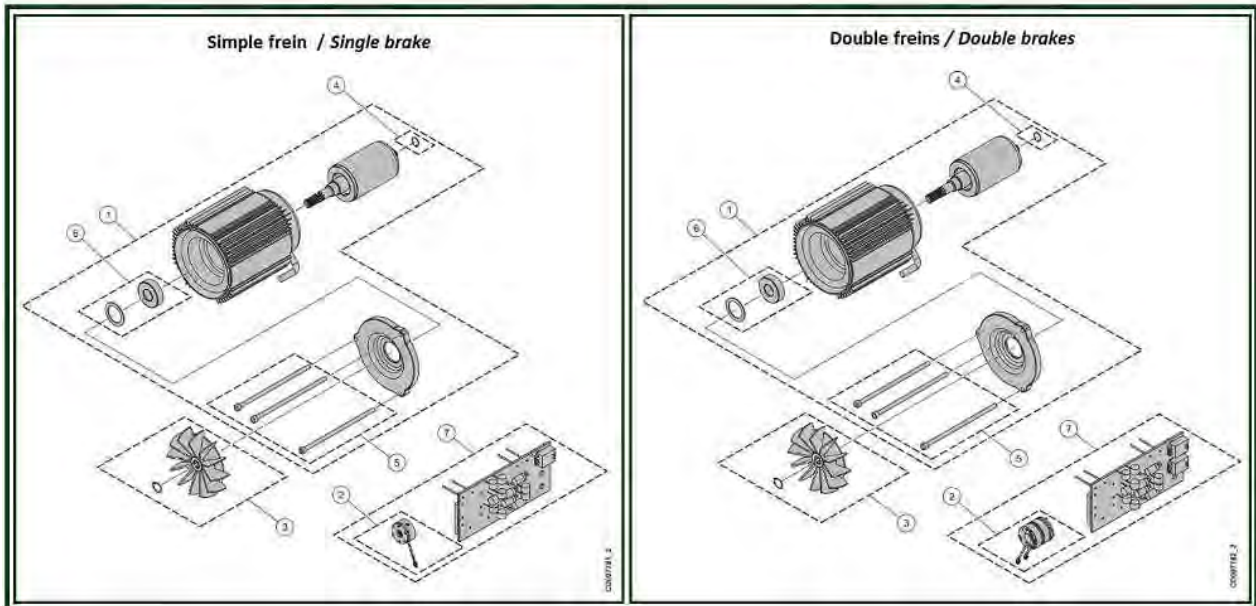
### 3. GEAR



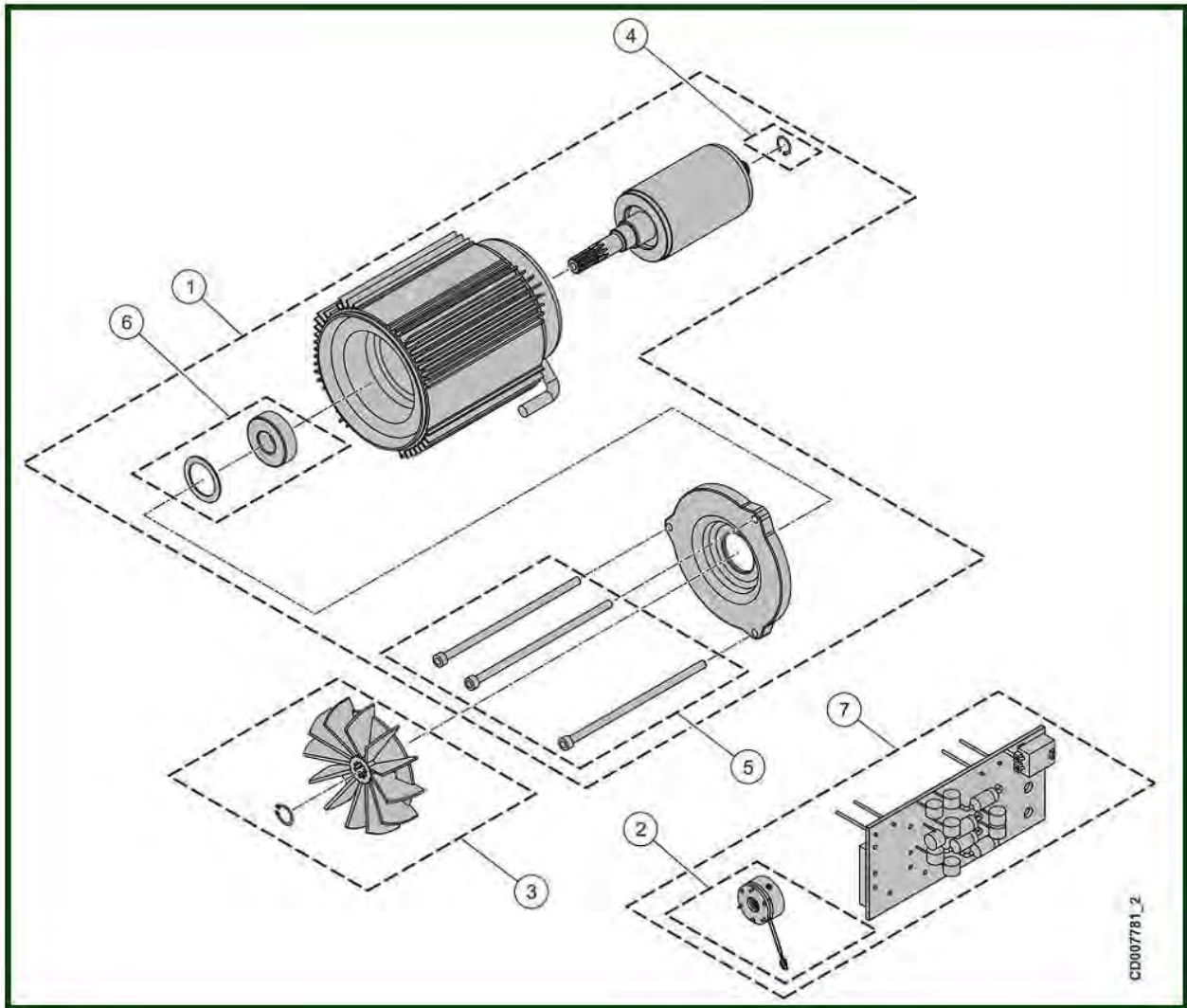
## Gear

Item	Reference	Description	Observation	Quantity
1	<u>VT0006456</u>	Gear assembly - Single brake	4-8 m/min	1
1	<u>VT0006457</u>	Gear assembly - Single brake	10 m/min	1
1	<u>VT0006458</u>	Gear assembly - Single brake	16 m/min	1
1	<u>VT0006459</u>	Gear assembly - Single brake	20 m/min	1
1	<u>VT0006460</u>	Gear assembly - Single brake	24 m/min	1
1	<u>VT0006498</u>	Gear assembly - Double brakes	4-8 m/min	1
1	<u>VT0006499</u>	Gear assembly - Double brakes	10 m/min	1
1	<u>VT0006500</u>	Gear assembly - Double brakes	16 m/min	1
1	<u>VT0006501</u>	Gear assembly - Double brakes	20 m/min	1
1	<u>VT0006502</u>	Gear assembly - Double brakes	24 m/min	1
2	<u>VT0006468</u>	Gear / Pinion set - Single brake	8 m/min	1
2	<u>VT0006470</u>	Gear / Pinion set - Single brake	16 m/min	1
2	<u>VT0006469</u>	Gear / Pinion set - Single brake	10 m/min	1
2	<u>VT0006471</u>	Gear / Pinion set - Single brake	20 m/min	1
2	<u>VT0006472</u>	Gear / Pinion set - Single brake	24 m/min	1
2	<u>VT0006463</u>	Gear / Pinion set - Double brakes	4-8 m/min	1
2	<u>VT0006464</u>	Gear / Pinion set - Double brakes	10 m/min	1
2	<u>VT0006465</u>	Gear / Pinion set - Double brakes	16 m/min	1
2	<u>VT0006466</u>	Gear / Pinion set - Double brakes	20 m/min	1
2	<u>VT0006467</u>	Gear / Pinion set - Double brakes	24 m/min	1
3	<u>VT0004885</u>	Gear shaft with clutch - Single brake	8m/min	1
3	<u>VT0006503</u>	Gear shaft with clutch - Double brakes	8m/min	1
4	<u>VT0004886</u>	Coupling- Brake side - Single brake		1
4	<u>VT0006504</u>	Coupling- Brake side - Double brakes		1
5	<u>VT0004887</u>	Clutch		1
6	<u>VT0006107</u>	Screw set		1
7	<u>VT0004888</u>	Frame		1
8	<u>VT0004890</u>	Sealings set	Standard	1
9	<u>VT0004976</u>	Rubber		1

## 4. MOTOR



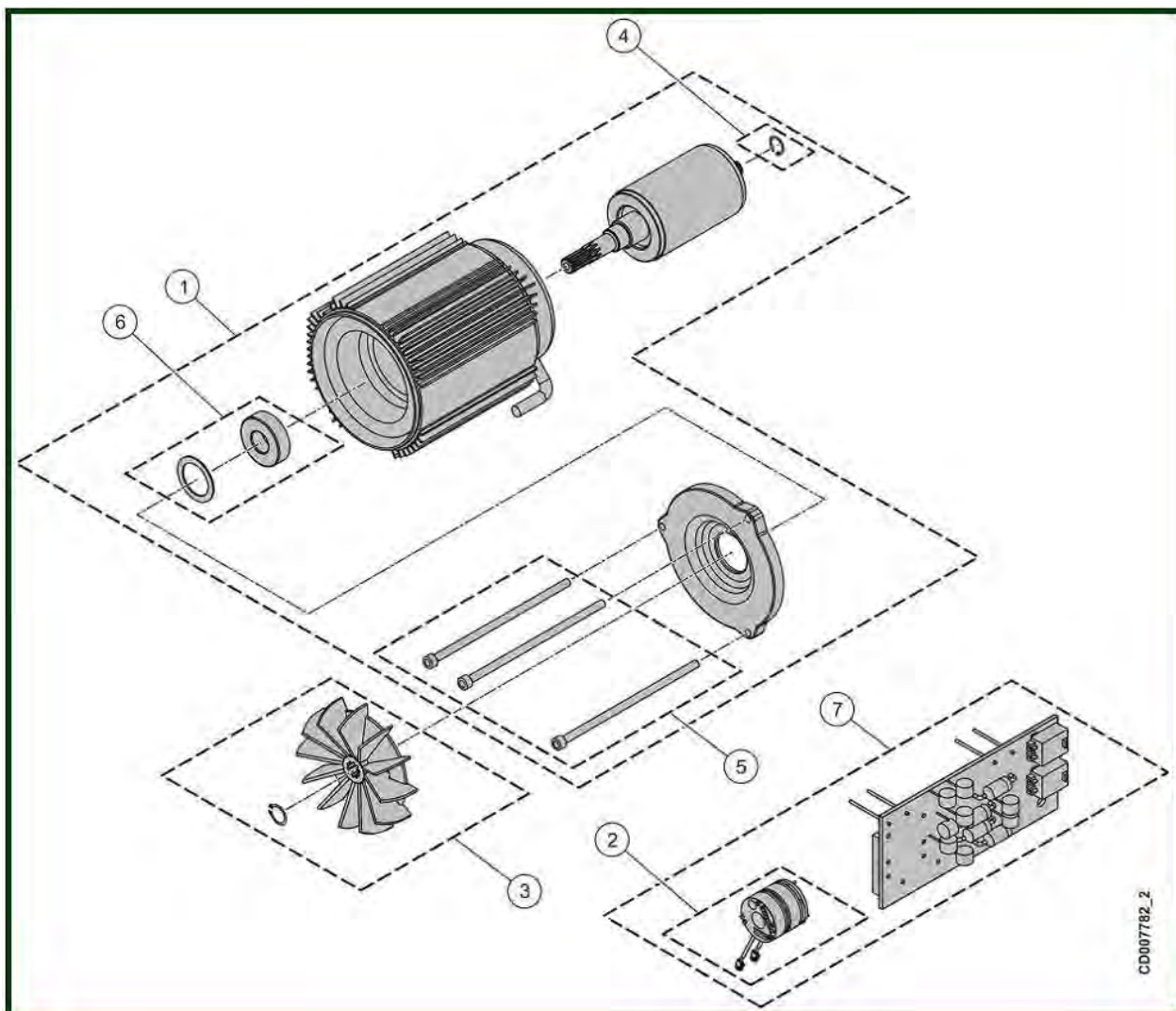
## 4.1. Single brake



Single brake

Item	Reference	Description	Observation	Quantity
1	<u>VT0007722</u>	Motor - 2 speeds 208-230V 60 Hz	4 m/min	1
1	<u>VT0006483</u>	Motor - 2 speeds 220-240V 50 Hz	4 m/min	1
1	<u>VT0007721</u>	Motor - 2 speeds 380-400V 60 Hz	4 m/min	1
1	<u>VT0007720</u>	Motor - 2 speeds 500-525V/50 Hz 575-600V 60Hz	4 m/min	1
1	<u>VT0006280</u>	Motor - 2 speeds 208-230V 60Hz	8-10-16-20 m/min	1
1	<u>VT0006478</u>	Motor - 2 speeds 380-400V 60HZ	8-10-16-20 m/min	1
1	<u>VT0006482</u>	Motor - 2 speeds 380-415V 50Hz 440-480V 60Hz	4 m/min (1500/750tr/min) (1800/900tr/min)	1
1	<u>VT0006477</u>	Motor - 2 speeds 220-240V 50Hz	8-10-16-20 m/min (3000/750tr/min)	1
1	<u>VT0004892</u>	Motor - 2 speeds 380-415V 50Hz 440-480V 60Hz	8-10-16-20 m/min (3000/750tr/min) (3600/900tr/min)	1
1	<u>VT0006479</u>	Motor - 2 speeds 500-525V 50Hz 575-600V 60Hz	8-10-16-20 m/min	1
2	<u>VT0004661</u>	Single brake	103-230V	1
2	<u>VT0004979</u>	Single brake	190-400V	1
2	<u>VT0006473</u>	Single brake	255-500V	1
2	<u>VT0006474</u>	Single brake	320-690V	1
3	<u>VT0004891</u>	Fan set		1
4	<u>VT0004977</u>	Retaining ring		1
5	<u>VT0006485</u>	Screw set	M6x160	1
6	<u>VT0006569</u>	Bearing set		1
7	<u>VT0006187</u>	Single brake + rectifier	103V	1
7	<u>VT0006262</u>	Single brake + rectifier	190V	1

## 4.2. Double brakes

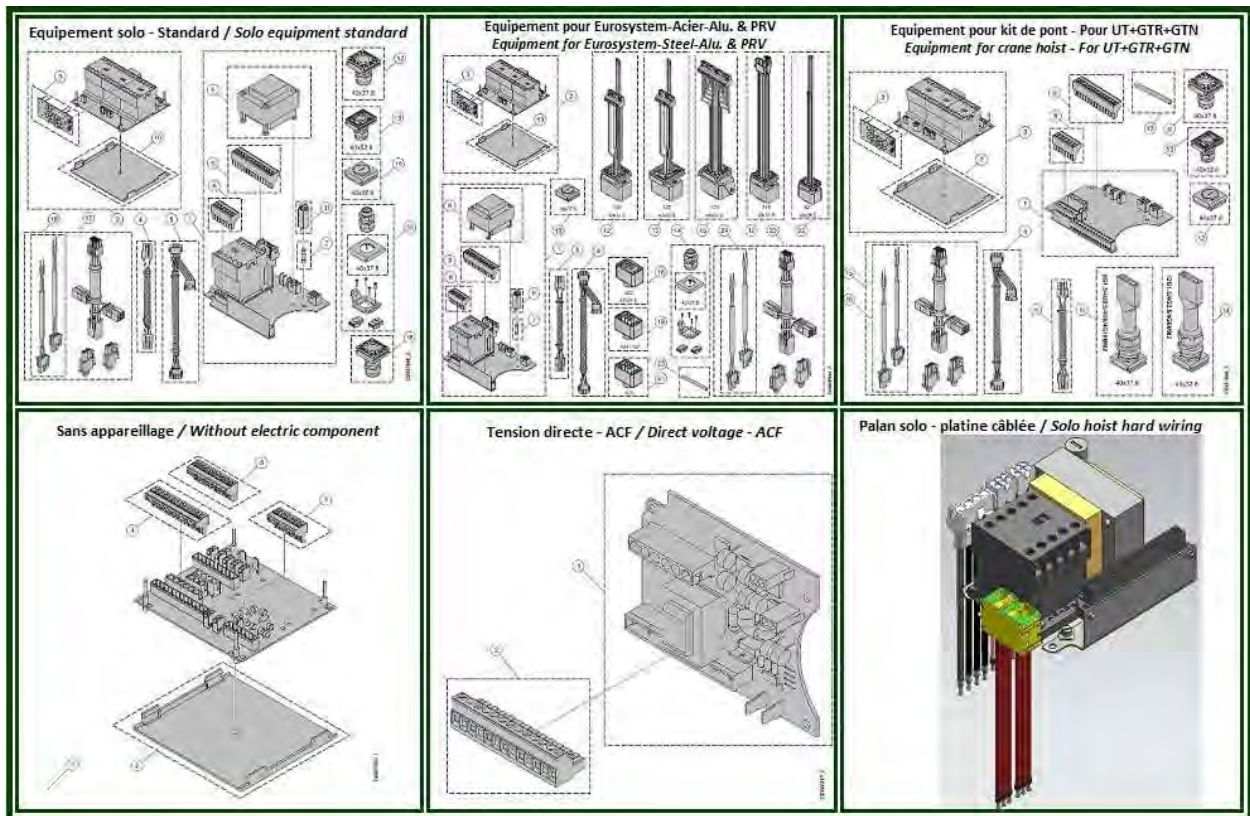


## Double brakes

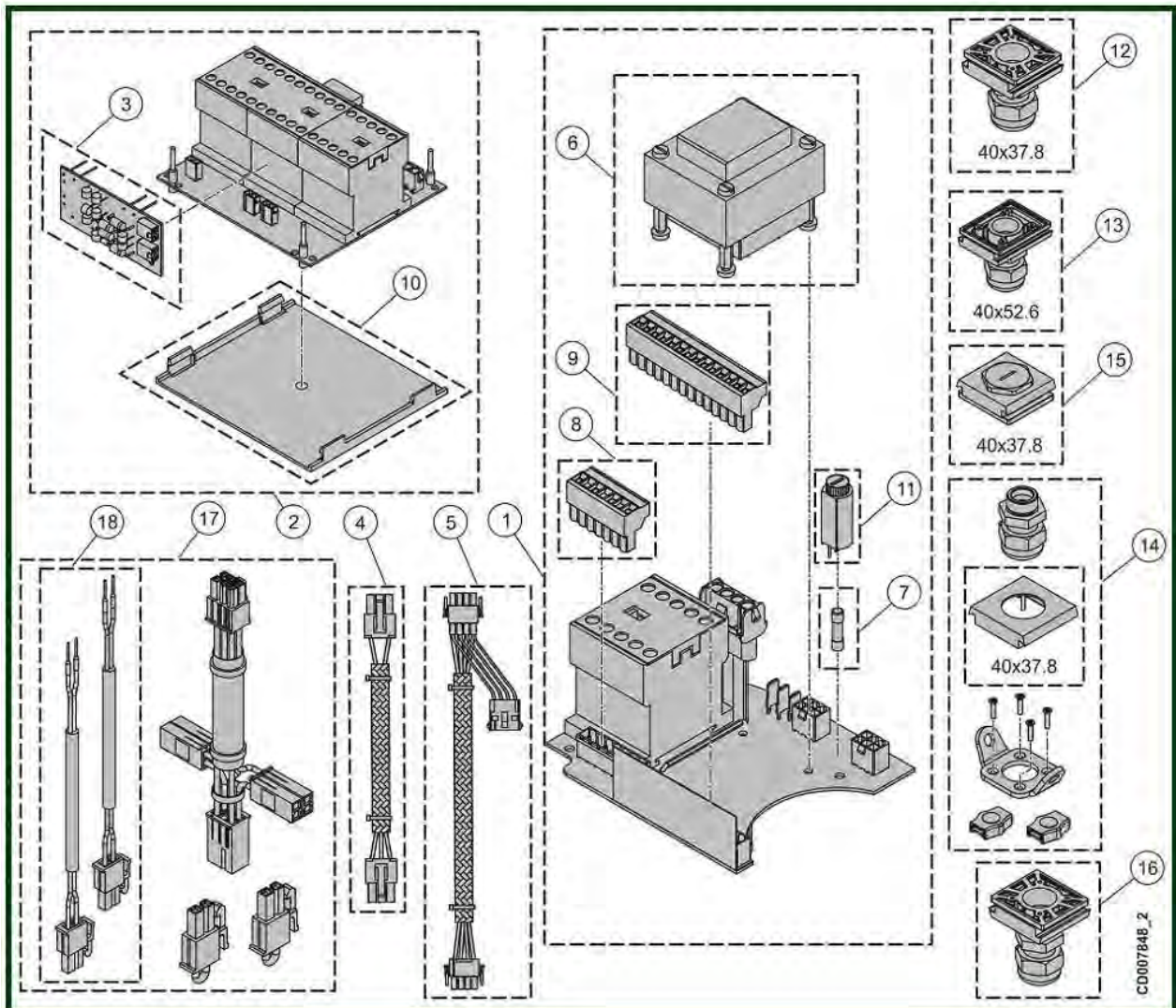
Item	Reference	Description	Observation	Quantity
1	<a href="#">VT0007722</a>	Motor - 2 speeds 208-230V 60 Hz	4 m/min	1
1	<a href="#">VT0006483</a>	Motor - 2 speeds 220-240V 50 Hz	4 m/min	1
1	<a href="#">VT0007721</a>	Motor - 2 speeds 380-400V 60 Hz	4 m/min	1
1	<a href="#">VT0007720</a>	Motor - 2 speeds 500-525V/50 Hz 575-600V 60Hz	4 m/min	1
1	<a href="#">VT0006280</a>	Motor - 2 speeds 208-230V 60Hz	8-10-16-20 m/min	1
1	<a href="#">VT0006478</a>	Motor - 2 speeds 380-400V 60HZ	8-10-16-20 m/min	1
1	<a href="#">VT0006482</a>	Motor - 2 speeds 380-415V 50Hz 440-480V 60Hz	4 m/min (1500/750tr/min) (1800/900tr/min)	1
1	<a href="#">VT0006477</a>	Motor - 2 speeds 220-240V 50Hz	8-10-16-20 m/min (3000/750tr/min)	1
1	<a href="#">VT0004892</a>	Motor - 2 speeds 380-415V 50H 440-480V 60Hz	8-10-16-20 m/min (3000/750tr/min) (3600/900tr/min)	1
1	<a href="#">VT0006479</a>	Motor - 2 speeds 500-525V 50Hz 575-600V 60Hz	8-10-16-20 m/min	1
2	<a href="#">VT0006259</a>	Double brakes	103-230V	1
2	<a href="#">VT0006258</a>	Double brakes	190-400V	1
2	<a href="#">VT0006475</a>	Double brakes	255-500V	1
2	<a href="#">VT0006476</a>	Double brakes	320-690V	1
3	<a href="#">VT0004891</a>	Fan set		1
4	<a href="#">VT0004977</a>	Retaining ring		1
5	<a href="#">VT0006485</a>	Screw set	M6x160	1
6	<a href="#">VT0006569</a>	Bearing set		1
7	<a href="#">VT0006264</a>	Double brakes + rectifier	103V	1
7	<a href="#">VT0006263</a>	Double brakes + rectifier	190V	1



## 5. ELECTRICAL PARTS



## 5.1. Solo Equipment– Standard

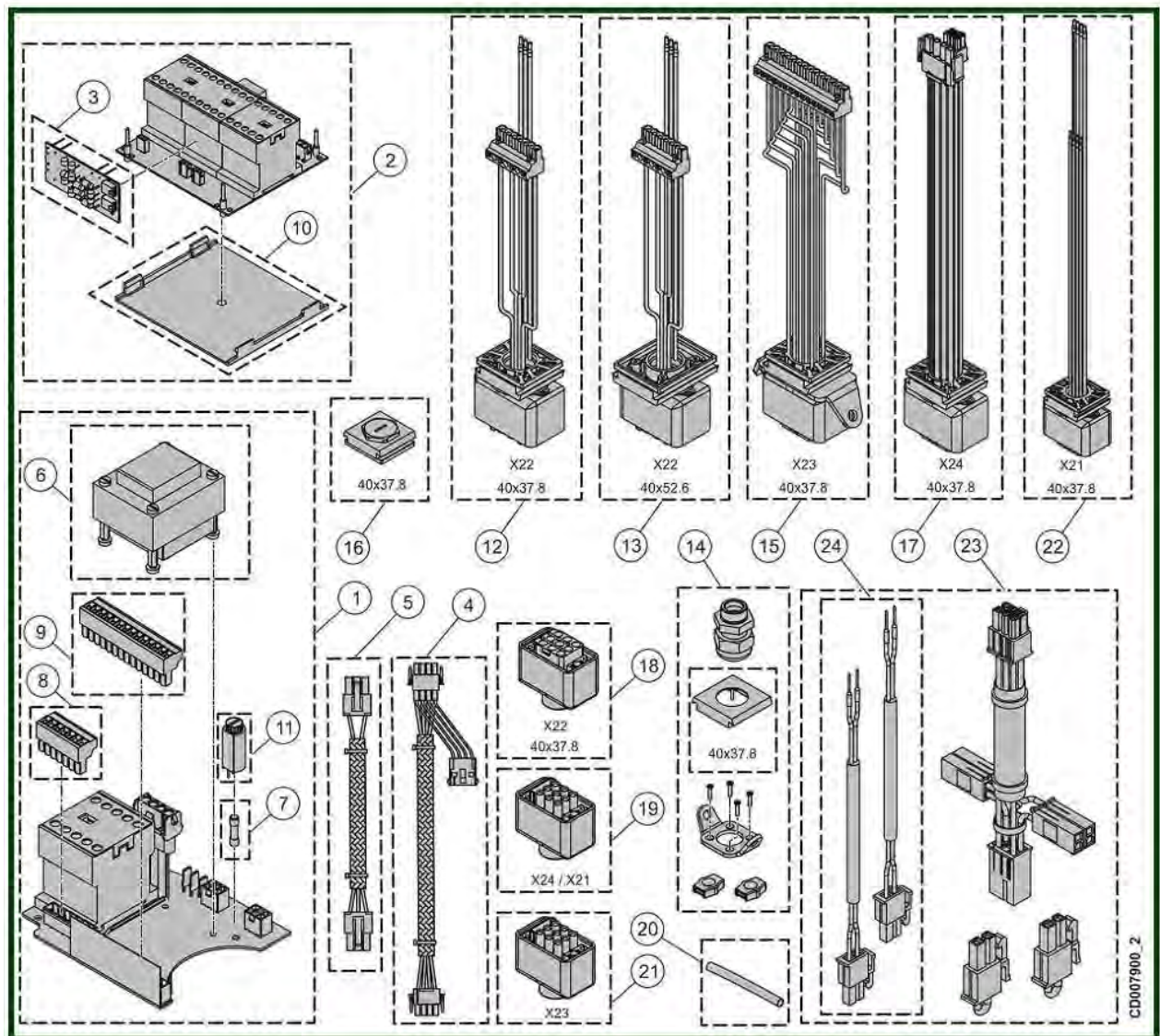


Solo equipment – Standard

Item	Reference	Description	Observation	Quantity
1	<u>VT0006431</u>	Power supply PC Board- Solo hoist	208V 230V / 110V CI/PC - Standard	1
1	<u>VT0006430</u>	Power supply PC Board- Solo hoist	230V / 48V CI/PC - Standard	1
1	<u>VT0004944</u>	Power supply PC Board- Solo hoist	400V / 24V CI/PC BOARD	1
1	<u>VT0004942</u>	Power supply PC Board- Solo hoist	400V / 48V CI/PC BOARD	1
1	<u>VT0005312</u>	Power supply PC Board- Solo hoist	400V / 110V CI/PC BOARD	1
1	<u>VT0005313</u>	Power supply PC Board- Solo hoist	400V / 230V CI/PC BOARD	1
1	<u>VT0006432</u>	Power supply PC Board- Solo hoist	460V / 48V CI/PC BOARD	1
1	<u>VT0006433</u>	Power supply PC Board- Solo hoist	460V / 110V CI/PC BOARD	1
1	<u>VT0006434</u>	Power supply PC Board- Solo hoist	500V / 48V CI/PC BOARD	1
1	<u>VT0006446</u>	Power supply PC Board- Solo hoist	500V / 110V CI/PC BOARD	1
1	<u>VT0006435</u>	Power supply PC Board- Solo hoist	575V / 48V CI/PC BOARD	1
1	<u>VT0006447</u>	Power supply PC Board- Solo hoist	575V / 110V CI/PC BOARD	1
2	<u>VT0005302</u>	Electrical board 2 speeds- 1 brake	230V-690V / 24V / 50 60Hz	1
2	<u>VT0004945</u>	Electrical board 2 speeds- 1 brake	230V-690V / 48V / 50 60Hz	1
2	<u>VT0005303</u>	Electrical board 2 speeds- 1 brake	230V-690V / 110V / 50 60Hz	1
2	<u>VT0005304</u>	Electrical board 2 speeds- 1 brake	230V-690V/ 230V / 50 60Hz	1
2	<u>VT0005305</u>	Electrical board 2 speeds- 2 brakes	230V-690V / 24V /50 60Hz	1
2	<u>VT0005306</u>	Electrical board 2 speeds- 2 brakes	230V-690V / 48V / 50 60Hz	1
2	<u>VT0005307</u>	Electrical board 2 speeds- 2 brakes	230V-690V / 50-60Hz	1
2	<u>VT0005308</u>	Electrical board 2 speeds- 2 brakes	230V-690V/ 230V / 50 60Hz	1
3	<u>VT0004946</u>	Rectifier- 1 brake	230V-690V	1
3	<u>VT0004947</u>	Rectifier- 2 brakes	230V-690V	1
3	<u>VT0004948</u>	Reconnectable rectifier	208V-690V	1
4	<u>VT0004949</u>	Wire harness - Plug control voltage		1
5	<u>VT0004950</u>	Wire harness - Plug power voltage		1

6	<u>VT0006439</u>	Transformer	208V 230V / 115V	1
6	<u>VT0006325</u>	Transformer	230V / 48V	1
6	<u>VT0004952</u>	Transformer	400V / 24V	1
6	<u>VT0004953</u>	Transformer	400V / 48V - 50/60Hz	1
6	<u>VT0004951</u>	Transformer	400V / 115V - 50/60Hz	1
6	<u>VT0004954</u>	Transformer	400V / 230V	1
6	<u>VT0006437</u>	Transformer	460V / 48V	1
6	<u>VT0006440</u>	Transformer	460V / 110V 50/60Hz	1
6	<u>VT0006436</u>	Transformer	500V / 48V	1
6	<u>VT0006438</u>	Transformer	575V / 48V	1
6	<u>VT0008540</u>	Transformer	575V / 110V	1
7	<u>VT0004915</u>	Set of 10 fuses	48V	1
7	<u>VT0004955</u>	Set of 10 fuses	115V	1
7	<u>VT0008541</u>	Set of 10 fuses	230V	1
8	<u>VT0005107</u>	Connector	4P	1
9	<u>VT0005108</u>	Pendant connector	14P	1
10	<u>VT0006441</u>	Insulation plate		1
11	<u>VT0006191</u>	Fuses base		1
12	<u>VT0006393</u>	Cable gland set Square cable entry	CG M20- ISO 20 Trolley - Power supply	1
14	<u>VT0005090</u>	Cable gland set Square cable entry	Push buttons	1
15	<u>VT0006089</u>	End cap Square cable entry		1
16	<u>VT0006326</u>	Cable gland set Square cable entry	Flat cable 4G2.5	1
17	<u>VT0008551</u>	Set of connection GLS	FDC MS +GLS	1
18	<u>VT0008550</u>	GLS cable	Quantity : 2 for 2 or 4 for 4	1
-	<u>VT0006967</u>	Time counter		1

## 5.2. Equipment for Eurosystem - Steel-Alu. & PRV

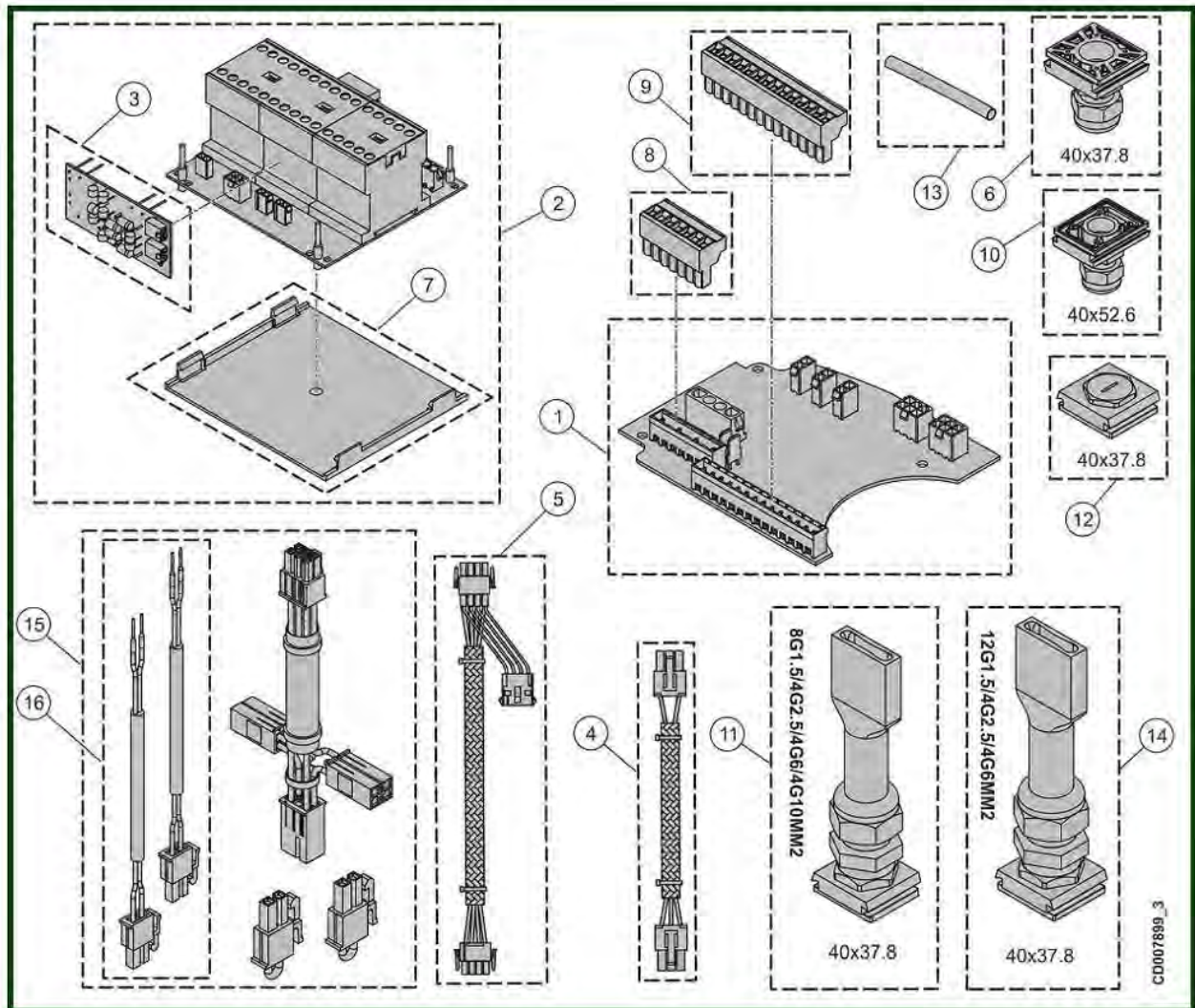


Equipment for Eurosystem - Steel-Alu. & PRV

Item	Reference	Description	Observation	Quantity
1	<u>VT0006431</u>	Power supply PC Board- Solo hoist	208V 230V / 110V CI/PC - Standard	1
1	<u>VT0006430</u>	Power supply PC Board- Solo hoist	230V / 48V CI/PC - Standard	1
1	<u>VT0004944</u>	Power supply PC Board- Solo hoist	400V / 24V CI/PC BOARD	1
1	<u>VT0004942</u>	Power supply PC Board- Solo hoist	400V / 48V CI/PC BOARD	1
1	<u>VT0005312</u>	Power supply PC Board- Solo hoist	400V / 110V CI/PC BOARD	1
1	<u>VT0005313</u>	Power supply PC Board- Solo hoist	400V / 230V CI/PC BOARD	1
1	<u>VT0006432</u>	Power supply PC Board- Solo hoist	460V / 48V CI/PC BOARD	1
1	<u>VT0006433</u>	Power supply PC Board- Solo hoist	460V / 110V CI/PC BOARD	1
1	<u>VT0006434</u>	Power supply PC Board- Solo hoist	500V / 48V CI/PC BOARD	1
1	<u>VT0006446</u>	Power supply PC Board- Solo hoist	500V / 110V CI/PC BOARD	1
1	<u>VT0006435</u>	Power supply PC Board- Solo hoist	575V / 48V CI/PC BOARD	1
1	<u>VT0006447</u>	Power supply PC Board- Solo hoist	575V / 110V CI/PC BOARD	1
2	<u>VT0005302</u>	Electrical board 2 speeds - 1 brake	230V-690V / 24V / 50 60Hz	1
2	<u>VT0004945</u>	Electrical board 2 speeds - 1 brake	230V-690V / 48V / 50 60Hz	1
2	<u>VT0005303</u>	Electrical board 2 speeds - 1 brake	230V-690V / 110V / 50 60Hz	1
2	<u>VT0005304</u>	Electrical board 2 speeds - 1 brake	230V-690V/ 230V / 50 60Hz	1
2	<u>VT0005305</u>	Electrical board 2 speeds - 2 brakes	230V-690V / 24V /50 60Hz	1
2	<u>VT0005306</u>	Electrical board 2 speeds - 2 brakes	230V-690V / 48V / 50 60Hz	1
2	<u>VT0005307</u>	Electrical board 2 speeds - 2 brakes	230V-690V / 50-60Hz	1
2	<u>VT0005308</u>	Electrical board 2 speeds - 2 brakes	230V-690V/ 230V / 50 60Hz	1
3	<u>VT0004946</u>	Rectifier - 1 brake	230V-690V	1
3	<u>VT0004947</u>	Rectifier - 2 brakes	230V-690V	1
4	<u>VT0004949</u>	Wire harness - Plug control voltage		1
5	<u>VT0004950</u>	Wire harness - Plug power voltage		1

6	<u>VT0006439</u>	Transformer	208V 230V / 115V	1
6	<u>VT0006325</u>	Transformer	230V / 48V	1
6	<u>VT0004952</u>	Transformer	400V / 24V	1
6	<u>VT0004953</u>	Transformer	400V / 48V - 50/60Hz	1
6	<u>VT0004951</u>	Transformer	400V / 115V - 50/60Hz	1
6	<u>VT0004954</u>	Transformer	400V / 230V	1
6	<u>VT0006437</u>	Transformer	460V / 48V	1
6	<u>VT0006440</u>	Transformer	460V / 110V 50/60Hz	1
6	<u>VT0006436</u>	Transformer	500V / 48V	1
6	<u>VT0006438</u>	Transformer	575V / 48V	1
6	<u>VT0008540</u>	Transformer	575V / 110V	1
7	<u>VT0004915</u>	Set of 10 fuses	48V	1
7	<u>VT0004955</u>	Set of 10 fuses	115V	1
7	<u>VT0008541</u>	Set of 10 fuses	230V	1
8	<u>VT0005107</u>	Connector	4P	1
9	<u>VT0005108</u>	Pendant connector	14P	1
10	<u>VT0006441</u>	Insulation plate		1
11	<u>VT0006191</u>	Fuses base		1
12	<u>VT0007798</u>	Power supply connector set Square	X22 Hoist side	1
13	<u>VT0007574</u>	Power supply connector set Rectangular	X22 Hoist side Only VR2	1
14	<u>VT0005090</u>	Cable gland set Square cable entry	Push buttons	1
15	<u>VT0007224</u>	Push button connector set	X23 Side hoist Movable push button only	1
16	<u>VT0006089</u>	End cap - Square cable entry		1
17	<u>VT0006971</u>	Kit connector - Trolley	X24 - Hoist side	1
18	<u>VT0007804</u>	Kit connector - Power supply	X22 - Side flat cable	1
19	<u>VT0007805</u>	Kit connector - Trolley	X24 - Side flat cable	1
20	<u>VT0007781</u>	Head shrinkable tube		1
21	<u>VT0007806</u>	Push button connector set	X23 Movable push button only	1
22	<u>VT0008135</u>	Crane cubicle connector set	X21 Hoist side	1
23	<u>VT0008551</u>	Set of connection GLS	FDC + GLS	1
24	<u>VT0008550</u>	GLS cable	Quantity : 2 for 2 or 4 for 4	1
-	<u>VT0006967</u>	Time counter		1

### 5.3. Equipment for crane kit - For UT+GTR+GTN

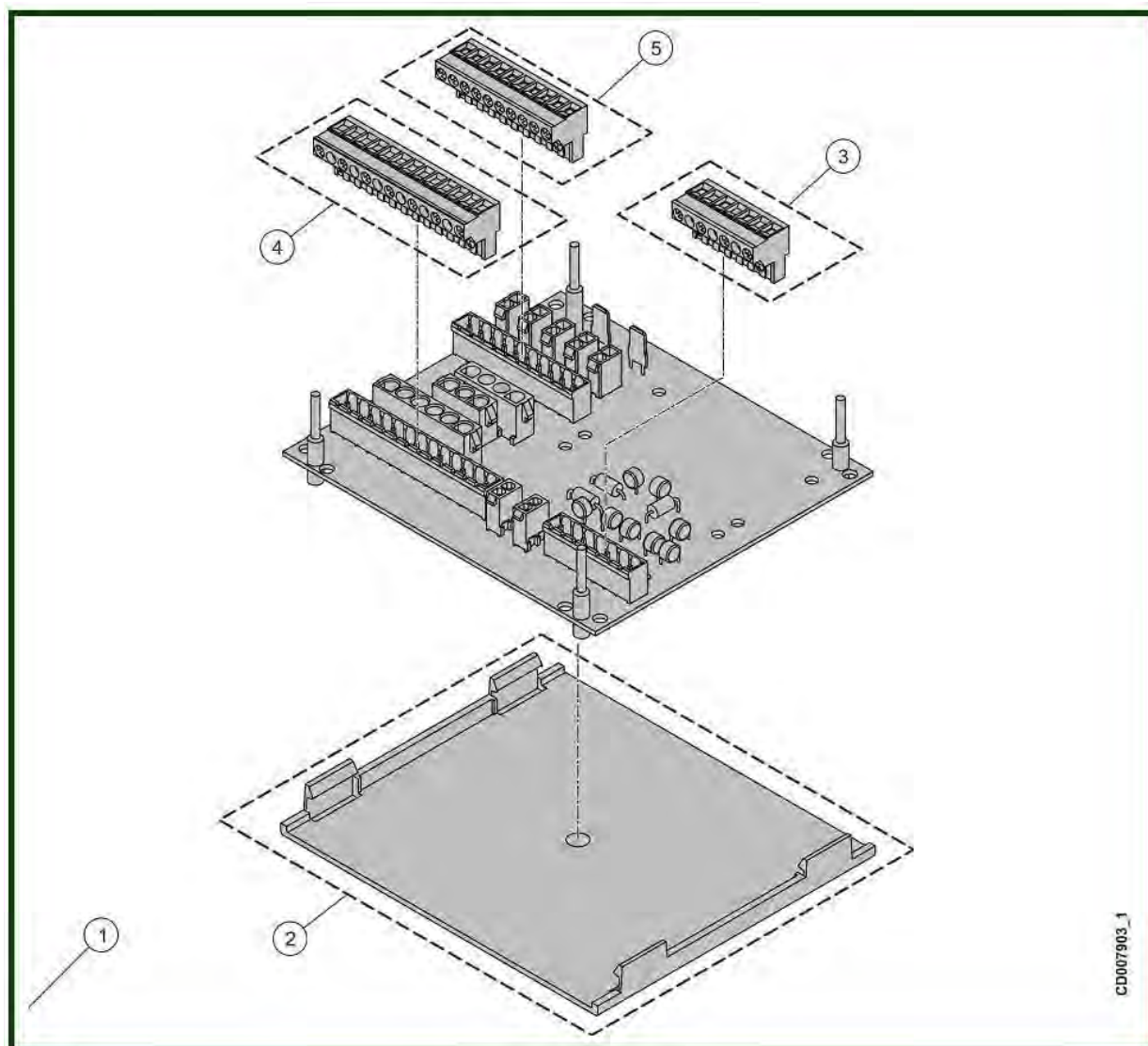




Equipment for crane kit - For UT+GTR+GTN

Item	Reference	Description	Observation	Quantity
1	<u>VT0004943</u>	Electrical power crane	230V-690V CI/PC BOARD	1
2	<u>VT0005302</u>	Electrical board 2 speeds- 1 brake	230V-690V / 24V / 50 60Hz	1
2	<u>VT0004945</u>	Electrical board 2 speeds- 1 brake	230V-690V / 48V / 50 60Hz	1
2	<u>VT0005303</u>	Electrical board 2 speeds- 1 brake	230V-690V / 110V / 50 60Hz	1
2	<u>VT0005304</u>	Electrical board 2 speeds- 1 brake	230V-690V / 230V / 50 60Hz	1
2	<u>VT0005305</u>	Electrical board 2 speeds- 2 brakes	230V-690V / 24V /50 60Hz	1
2	<u>VT0005306</u>	Electrical board 2 speeds- 2 brakes	230V-690V / 48V / 50 60Hz	1
2	<u>VT0005307</u>	Electrical board 2 speeds- 2 brakes	230V-690V / 50-60Hz	1
2	<u>VT0005308</u>	Electrical board 2 speeds- 2 brakes	230V-690V / 230V / 50 60Hz	1
3	<u>VT0004946</u>	Rectifier- 1 brake	230V-690V	1
3	<u>VT0004947</u>	Rectifier- 2 brakes	230V-690V	1
4	<u>VT0004949</u>	Wire harness - Plug control voltage		1
5	<u>VT0004950</u>	Wire harness - Plug power voltage		1
6	<u>VT0006393</u>	Cable gland set Square cable entry	CG M20- ISO 20 Trolley-Power supply	1
7	<u>VT0006441</u>	Insulation plate		1
8	<u>VT0005107</u>	Connector	4P	1
9	<u>VT0005108</u>	Pendant connector	14P	1
10	<u>VT0007782</u>	Cable gland set Rectangular cable entry	4G2.5MM2 Flat cable - Only VR2	1
11	<u>VT0007780</u>	Square flat cable connector set	8G1.5/4G2.5/4G6/4G10mm2	1
12	<u>VT0006089</u>	End cap - Square cable entry		1
13	<u>VT0007781</u>	Head shrinkable tube		1
14	<u>VT0006454</u>	Cable gland set flat cable Square cable entry	12G1.5/4G2.5/4G6mm2 - ISO 25	1
15	<u>VT0008551</u>	Set of connection GLS		1
16	<u>VT0008550</u>	GLS cable	Quantity : 2 for 2 or 4 for 4	1
-	<u>VT0006967</u>	Time counter		1

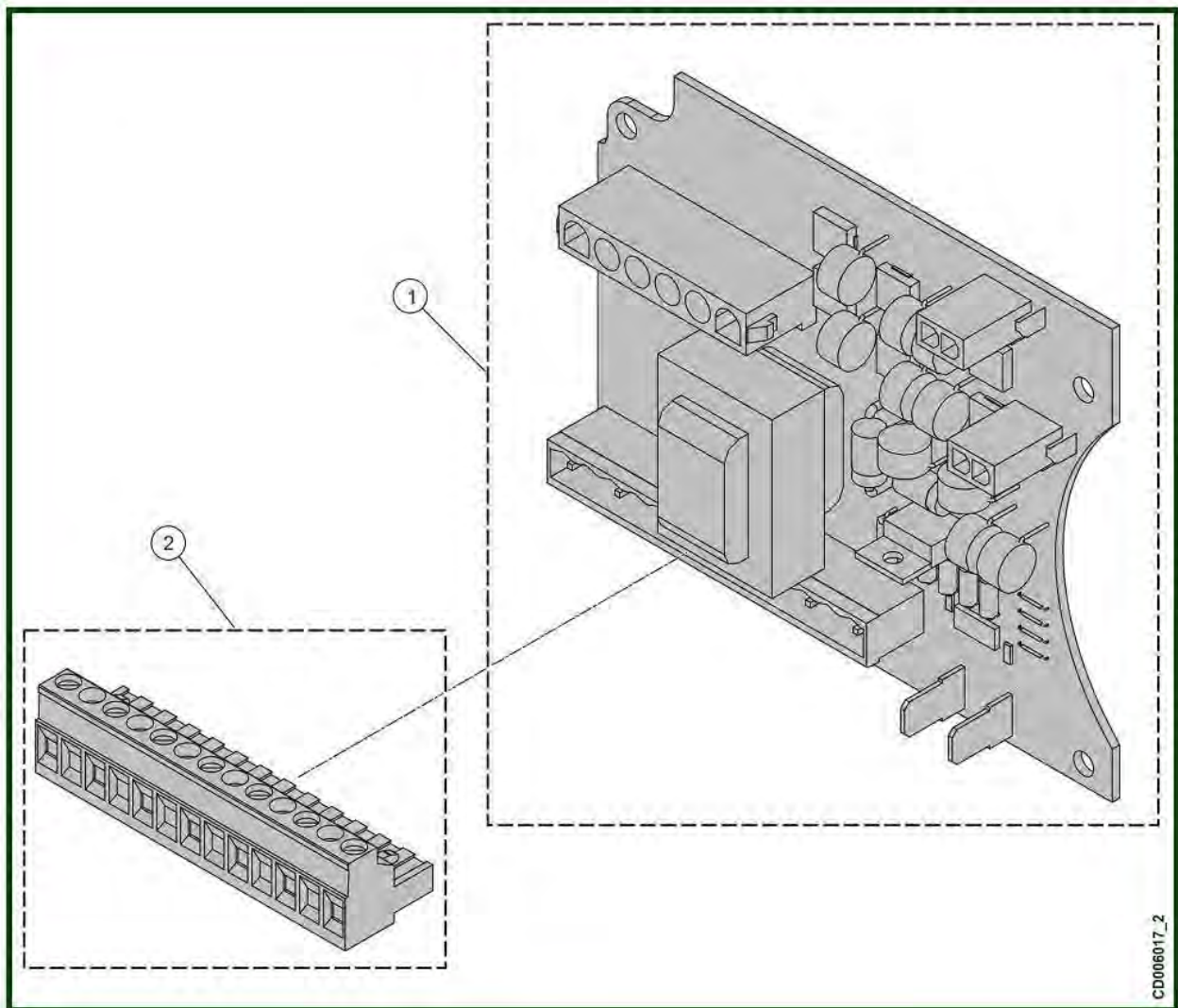
## 5.4. Without electric component



CD007903\_1

Item	Reference	Description	Observation	Quantity
1	<u>VT0007656</u>	Electrical board	Without arrangement + Rectifier	1
2	<u>VT0006441</u>	Insulation plate		1
3	<u>VT0005107</u>	Connector	4P	1
4	<u>VT0006429</u>	Power connector	7P	1
5	<u>VT0009330</u>	Control connector	10P	1

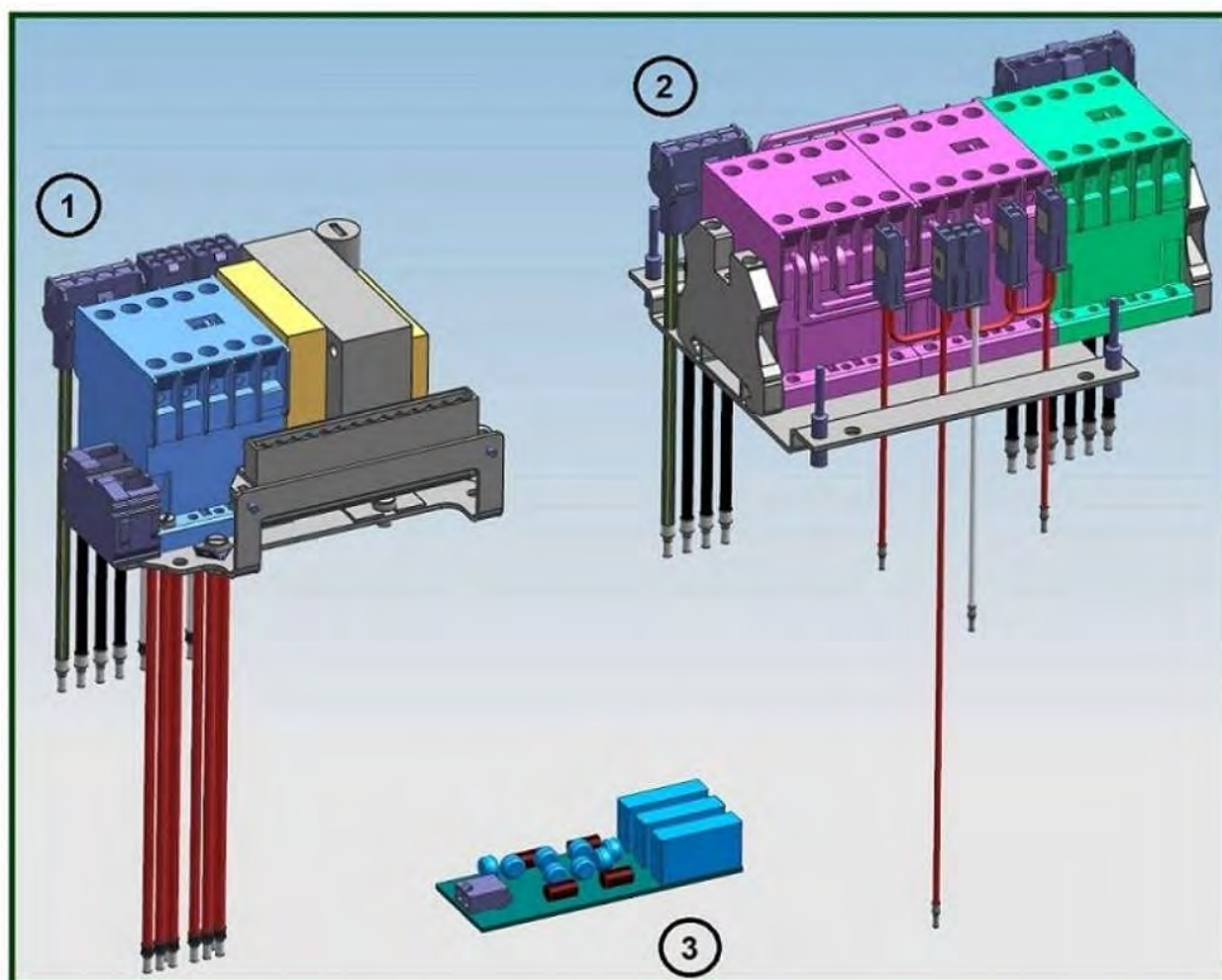
## 5.5. Direct voltage – ACF



Item	Reference	Description	Observation	Quantity
1	<u>VT0006428</u>	ACF card - 2 speeds		1
2	<u>VT0006429</u>	Power connector	7P	1

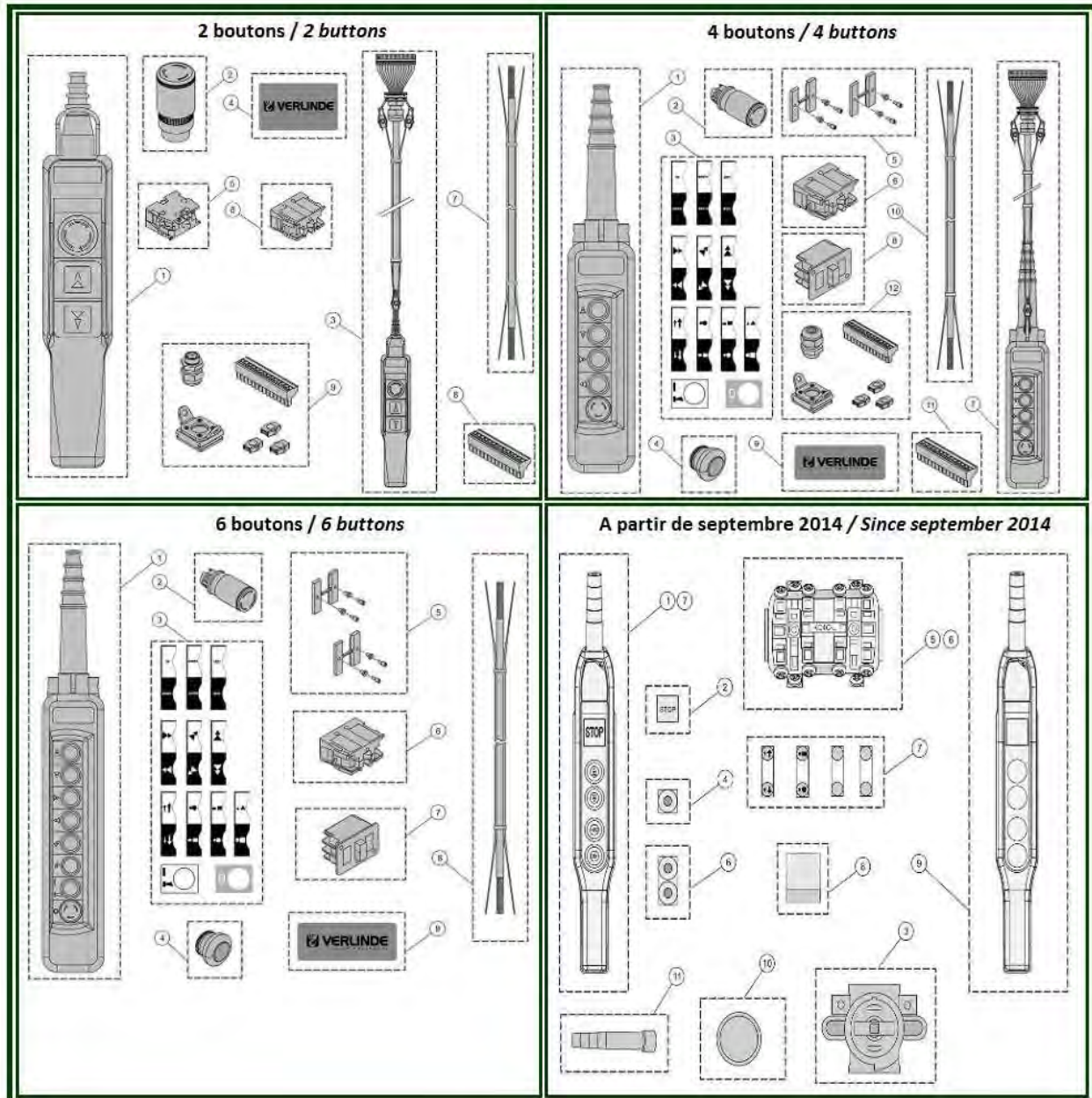
## 5.6. Solo hoist- Hard wiring

Option

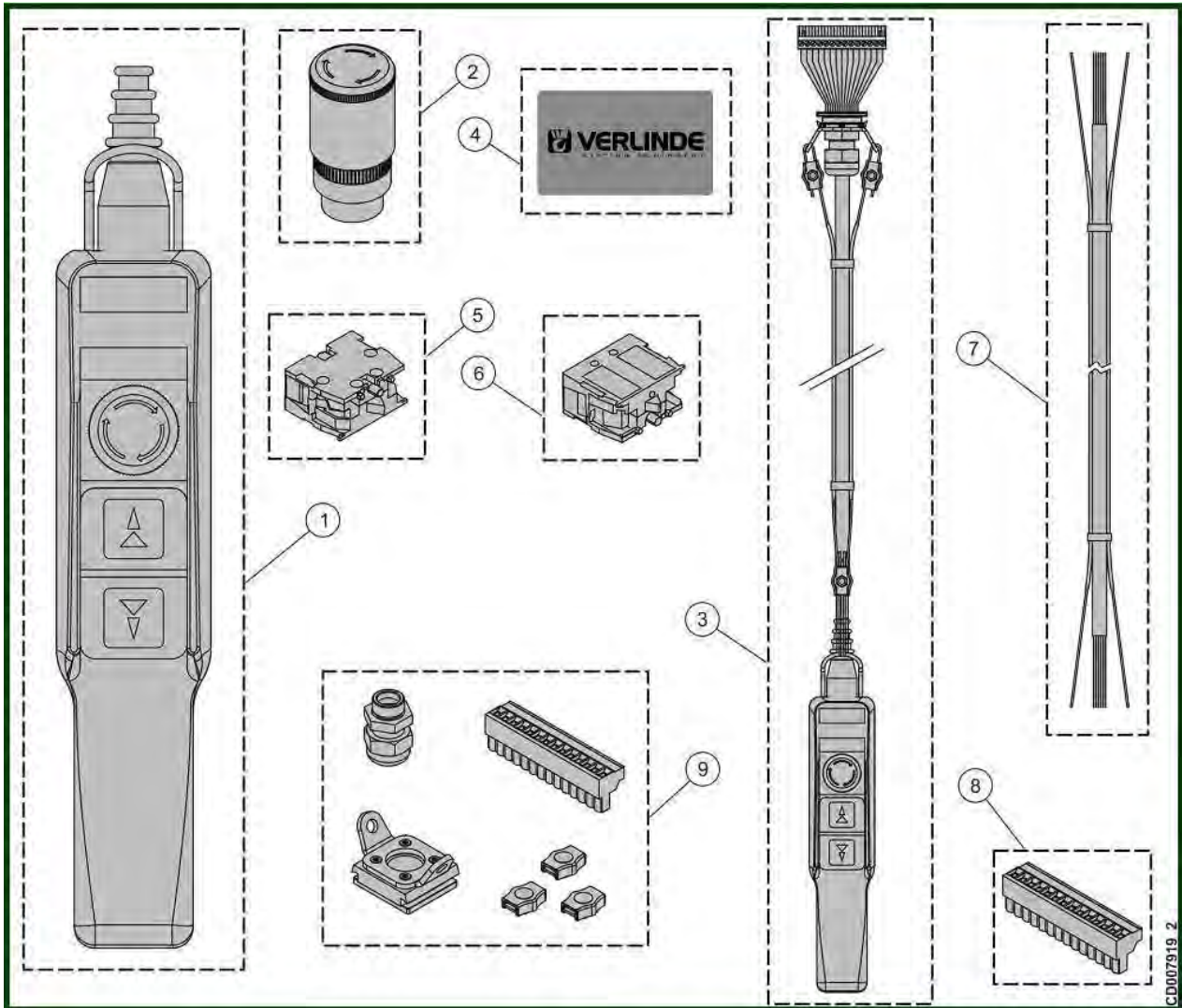


Item	Reference	Description	Observation	Quantity
1	<a href="#">VT0007058</a>	Power supply PC Board - Solo hoist	400V-48V Hard wiring - Option	1
1	<a href="#">VT0007084</a>	Power supply PC Board - Solo hoist	400V-110V Hard wiring - Option	1
1	<a href="#">VT0007086</a>	Power supply PC Board - Solo hoist	460V-48V Hard wiring - Option	1
1	<a href="#">VT0007087</a>	Power supply PC Board - Solo hoist	460V-110V Hard wiring - Option	1
2	<a href="#">VT0007057</a>	Electrical board 2 Speeds - 1 brake	208V-575V /48V Hard wiring - Option	1
2	<a href="#">VT0007089</a>	Electrical board 2 Speeds - 1 brake	208V-575V /110V-115V Hard wiring - Option	1
3	<a href="#">VT0008823</a>	Rectifier	208V-575V	1

## 6. PUSH BUTTON CONTROLLER



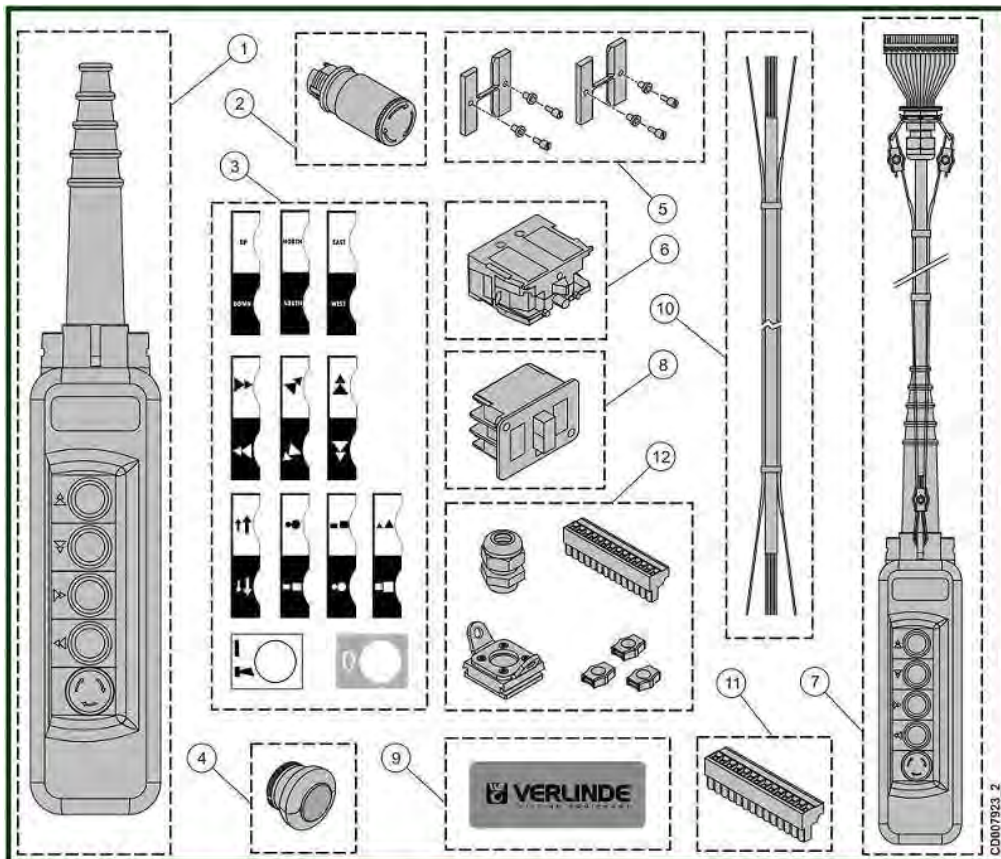
## 6.1. 2 buttons



## 2 Buttons

Item	Reference	Description	Observation	Quantity
1	<u>VT0005061</u>	Push buttons - 2HS+ES	Yellow	1
2	<u>VT0006547</u>	Emergency push button		1
3	<u>VT0005612</u>	Pendant with cable - 2HS+ES	2,2 m - Yellow - CE	1
3	<u>VT0005613</u>	Pendant with cable - 2HS+ES	2,7 m - Yellow - CE	1
3	<u>VT0005614</u>	Pendant with cable - 2HS+ES	3,2 m - Yellow - CE	1
3	<u>VT0005615</u>	Pendant with cable - 2HS+ES	3,7 m - Yellow - CE	1
3	<u>VT0005616</u>	Pendant with cable - 2HS+ES	4,2 m - Yellow - CE	1
3	<u>VT0005617</u>	Pendant with cable - 2HS+ES	4,7 m - Yellow - CE	1
3	<u>VT0005618</u>	Pendant with cable - 2HS+ES	5,2 m - Yellow - CE	1
3	<u>VT0005619</u>	Pendant with cable - 2HS+ES	5,7 m - Yellow - CE	1
4	<u>VT0007837</u>	Branding sticker	VERLINDE	1
5	<u>VT0005064</u>	Contact block	ZB2-BE101	1
6	<u>VT0005066</u>	Contact block	ZB2-BE 102	1
7	<u>VT0006746</u>	Cable	5x1,5 mm <sup>2</sup> - CE	1
8	<u>VT0005108</u>	Pendant connector	14P	1
9	<u>VT0007583</u>	Pendant plug set	ISO	1

## 6.2. 4 buttons

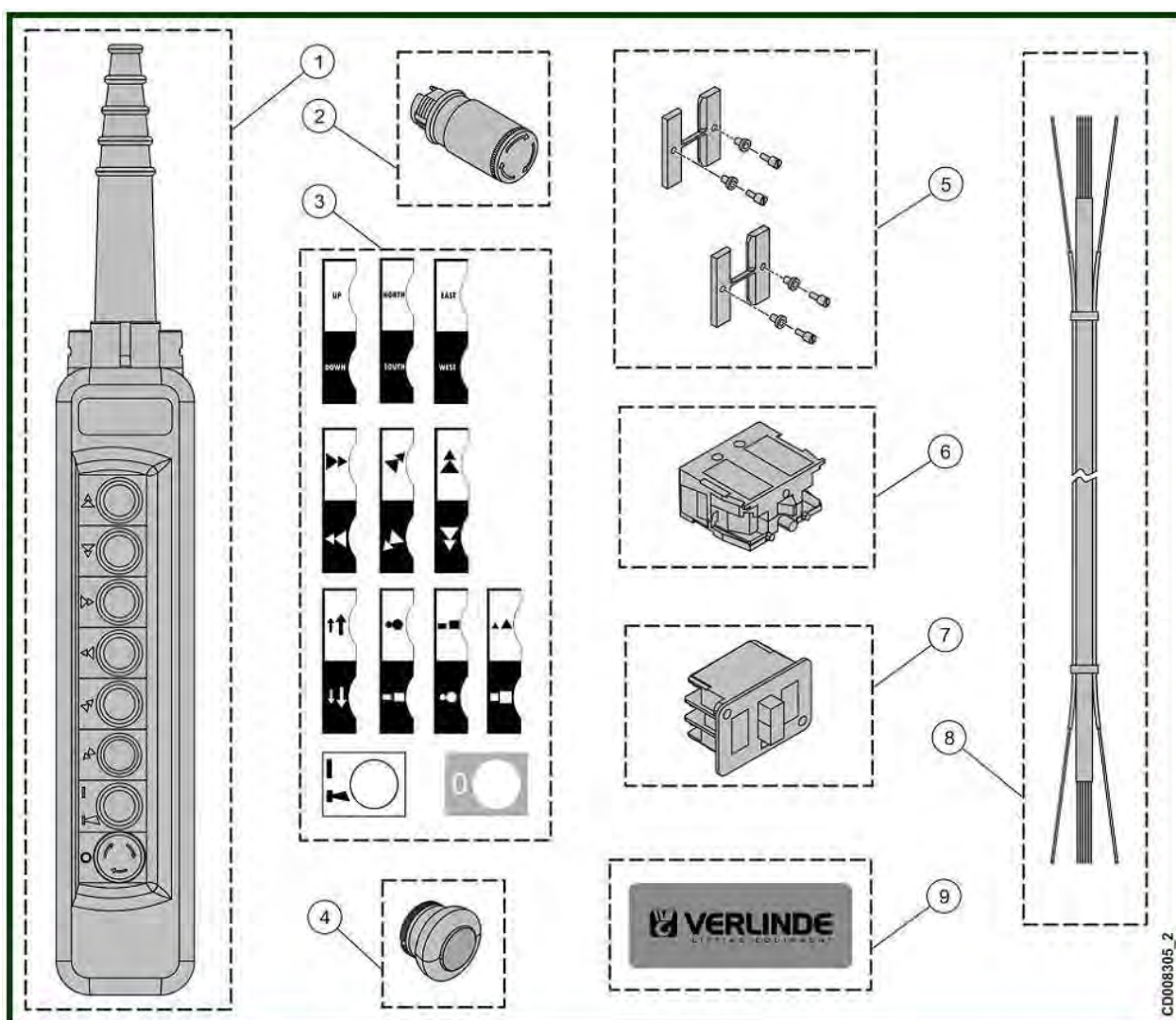




4 buttons

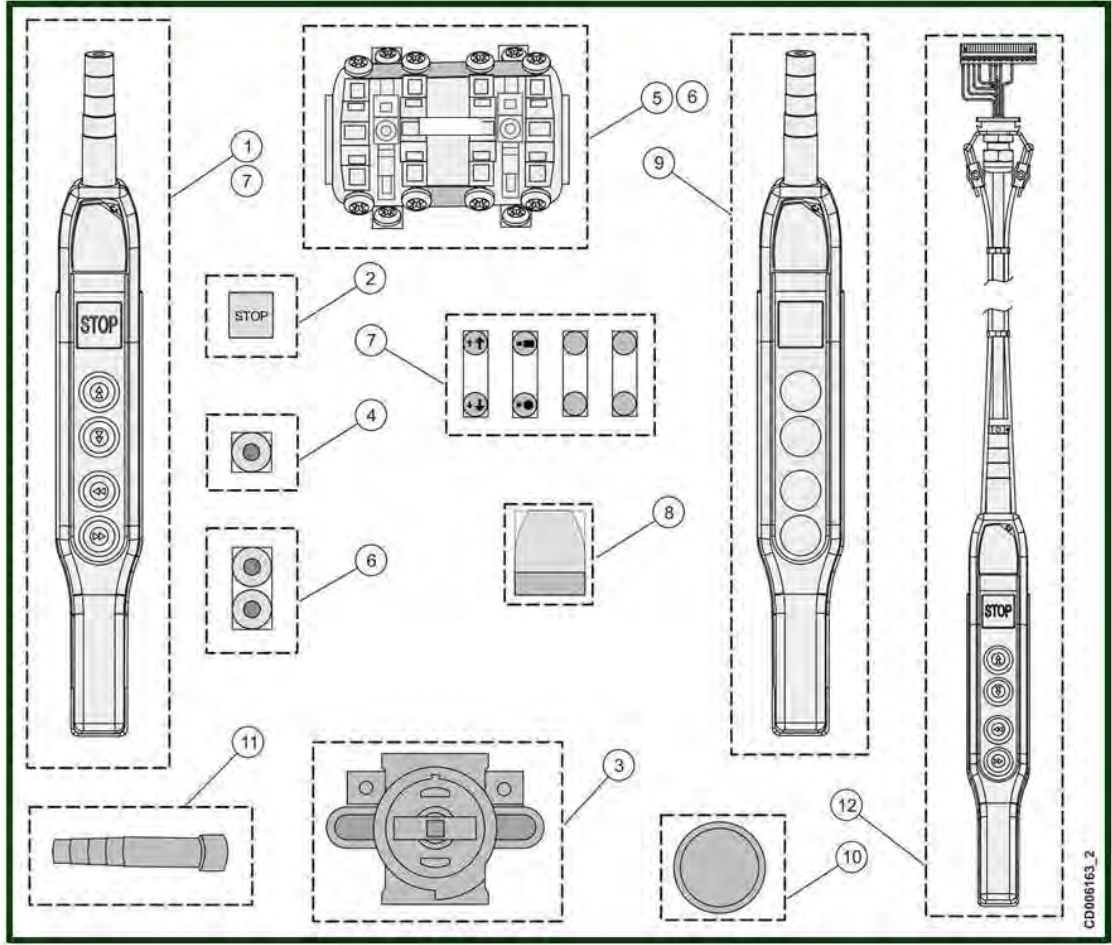
Item	Reference	Description	Observation	Quantity
1	<u>VT0005055</u>	Push buttons 2HS+2TS+ES	Yellow	1
2	<u>VT0006548</u>	Emergency push button		1
3	<u>VT0007882</u>	Set of direction symbols		1
4	<u>VT0005063</u>	Push button		1
5	<u>VT0005072</u>	Mechanical interlock		2
6	<u>VT0005066</u>	Block contact	ZB2-BE 102	1
7	<u>VT0006059</u>	Pendant with cable- 2HS+2TS+ES	4,2 m - Yellow	1
7	<u>VT0006060</u>	Pendant with cable- 2HS+2TS+ES	4,7 m - Yellow	1
7	<u>VT0006061</u>	Pendant with cable- 2HS+2TS+ES	5,2 m - Yellow	1
7	<u>VT0006062</u>	Pendant with cable- 2HS+2TS+ES	5,7 m - Yellow	1
7	<u>VT0006055</u>	Pendant with cable- 2HS+2TS+ES	2,2 m - Yellow	1
7	<u>VT0006056</u>	Pendant with cable- 2HS+2TS+ES	2,7 m - Yellow	1
7	<u>VT0006057</u>	Pendant with cable- 2HS+2TS+ES	3,2 m - Yellow	1
7	<u>VT0006058</u>	Pendant with cable- 2HS+2TS+ES	3,7 m - Yellow	1
8	<u>VT0007879</u>	Block contact	XENG1191	1
9	<u>VT0007880</u>	Sticker of brand	VERLINDE	1
10	<u>VT0006747</u>	Cable - 8x1,5mm <sup>2</sup>	meter	1
11	<u>VT0005108</u>	Pendant connector	14P	1
12	<u>VT0007583</u>	Pendant plug set	ISO	1

## 6.3. 6 buttons



Item	Reference	Description	Observation	Quantity
1	<a href="#">VT0005058</a>	Push buttons 2HS+2TS+2LS+ON-OFF	Yellow	1
2	<a href="#">VT0006548</a>	Emergency push button		1
3	<a href="#">VT0007882</a>	Set of direction symbols		1
4	<a href="#">VT0005063</a>	Push button		1
5	<a href="#">VT0005072</a>	Mechanical interlock		2
6	<a href="#">VT0005066</a>	Block contact	ZB2-BE 102	1
7	<a href="#">VT0007879</a>	Block contact	XENG1191	1
8	<a href="#">VT0008073</a>	Cable	16x1.52mm <sup>2</sup> - meter	1
8	<a href="#">VT0008074</a>	Cable	20x1.5mm <sup>2</sup> - meter	1
9	<a href="#">VT0007880</a>	Sticker of brand	VERLINDE	1
-	<a href="#">VT0005108</a>	Pendant connector	14P	1

# 6.4. Push buttons – From september 2014

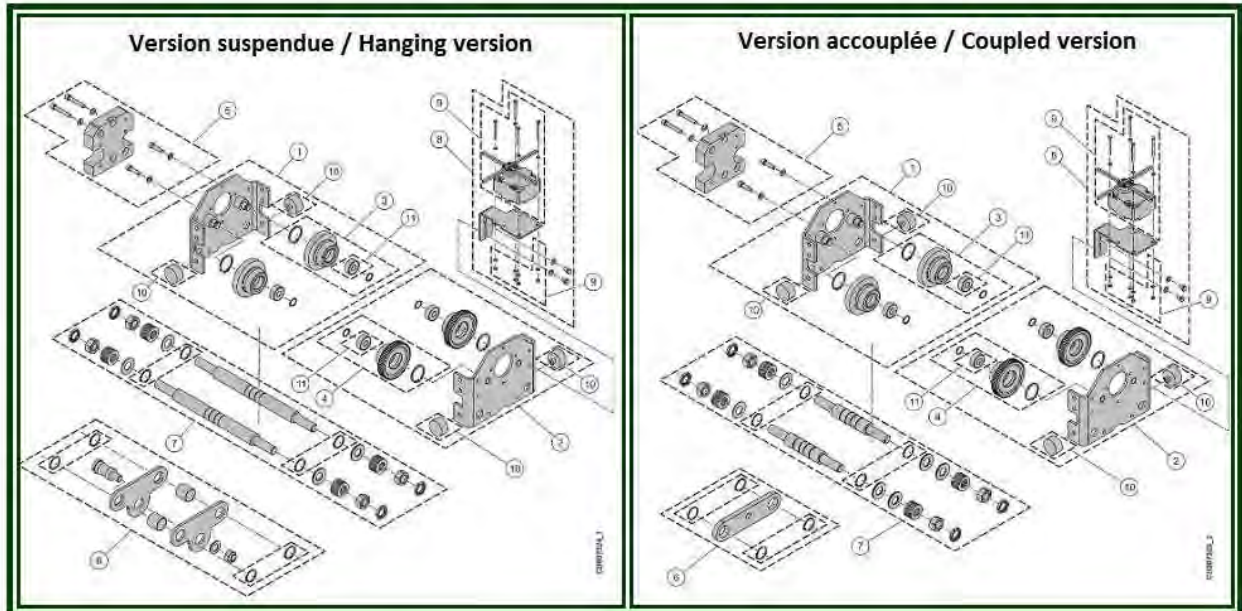


Item	Reference	Description	Observation	Quantity
1	<a href="#">VT0006495</a>	Push buttons - 2 HS+2TS+ES	Yellow - 4 buttons	1
1	<a href="#">VT0006493</a>	Push buttons - 2 HS+ES	Yellow - 2 buttons	1
2	<a href="#">VT0006509</a>	Emergency push button		1
3	<a href="#">VT0006510</a>	Emergency stop contact block		1
4	<a href="#">VT0006511</a>	Rubber push button		1
5	<a href="#">VT0006513</a>	Contact block	2 speeds	1
6	<a href="#">VT0006514</a>	Set of 2 push buttons + contact block		1
7	<a href="#">VT0006754</a>	Stickers - Direction symbols	ANSI	1
7	<a href="#">VT0006752</a>	Stickers - Direction symbols	DIN	1
7	<a href="#">VT0006753</a>	Stickers - Direction symbols	FIN-SEN	1
8	<a href="#">VT0006496</a>	Sticker - Brand	VERLINDE	1
9	<a href="#">VT0006515</a>	Push buttons	Yellow - 2 buttons	1
9	<a href="#">VT0006518</a>	Push buttons	Yellow - 4 buttons	1
10	<a href="#">VT0006517</a>	Magnet		1
10	<a href="#">VT0006516</a>	End cap caoutchouc		1
11	<a href="#">VT0007032</a>	Cable bushing		1
12	<a href="#">VT0006958</a>	Push buttons box + cable + plug 2 HS+ES	2,20 m - Yellow- DIN	1
12	<a href="#">VT0006951</a>	Push buttons box + cable + plug 2 HS+ES	2,70 m - Yellow- DIN	1
12	<a href="#">VT0006952</a>	Push buttons box + cable + plug 2 HS+ES	3,20 m - Yellow- DIN	1
12	<a href="#">VT0006953</a>	Push buttons box + cable + plug 2 HS+ES	3,70 m - Yellow- DIN	1
12	<a href="#">VT0006954</a>	Push buttons box + cable + plug 2 HS+ES	4,20 m - Yellow- DIN	1
12	<a href="#">VT0006955</a>	Push buttons box + cable + plug 2 HS+ES	4,70 m - Yellow- DIN	1
12	<a href="#">VT0006956</a>	Push buttons box + cable + plug 2 HS+ES	5,20 m - Yellow- DIN	1
12	<a href="#">VT0006957</a>	Push buttons box + cable + plug 2 HS+ES	5,70 m - Yellow- DIN	1

13	<u>VT0006959</u>	Push buttons box + cable + plug 2 HS+2TS+ES	2,20 m - Yellow - DIN	1
13	<u>VT0006966</u>	Push buttons box + cable + plug 2 HS+2TS+ES	2,70 m - Yellow - DIN	1
13	<u>VT0006960</u>	Push buttons box + cable + plug 2 HS+2TS+ES	3,20 m - Yellow- DIN	1
13	<u>VT0006961</u>	Push buttons box + cable + plug 2 HS+2TS+ES	3,70 m - Yellow - DIN	1
13	<u>VT0006962</u>	Push buttons box + cable + plug 2 HS+2TS+ES	4,20 m - Yellow - DIN	1
13	<u>VT0006963</u>	Push buttons box + cable + plug 2 HS+2TS+ES	4,70 m - Yellow - DIN	1
13	<u>VT0006964</u>	Push buttons box + cable + plug 2 HS+2TS+ES	5,20 m - Yellow - DIN	1
13	<u>VT0006965</u>	Push buttons box + cable + plug 2 HS+2TS+ES	5,70 m - Yellow - DIN	1

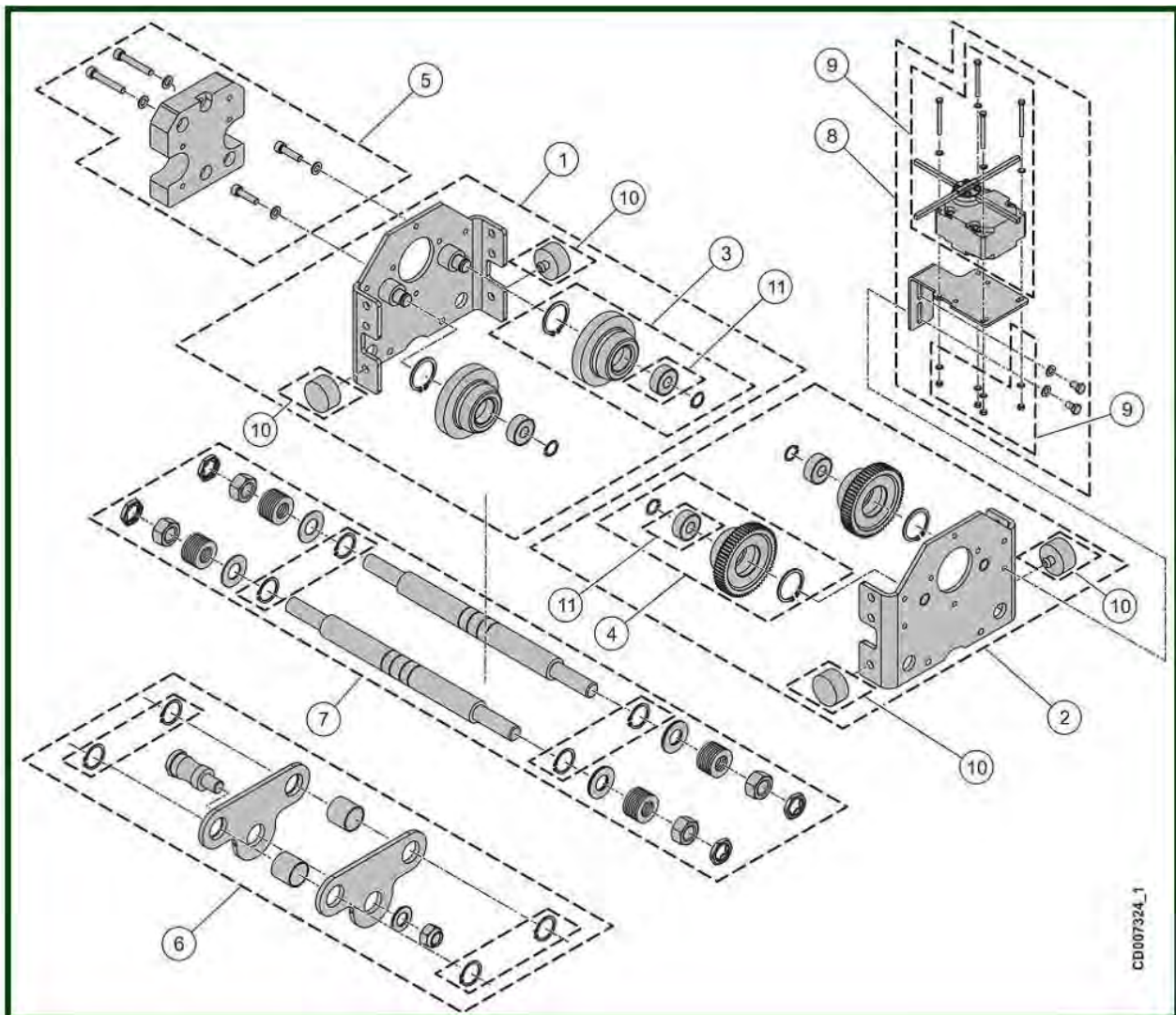
# 7. NORMAL HEADROOM TROLLEY

NHT



## 7.1. C1 trolley - 0 to 1000 kg – Hanging version

HNT



## 7.2. C1 trolley - 0 to 1000 kg – Hanging version

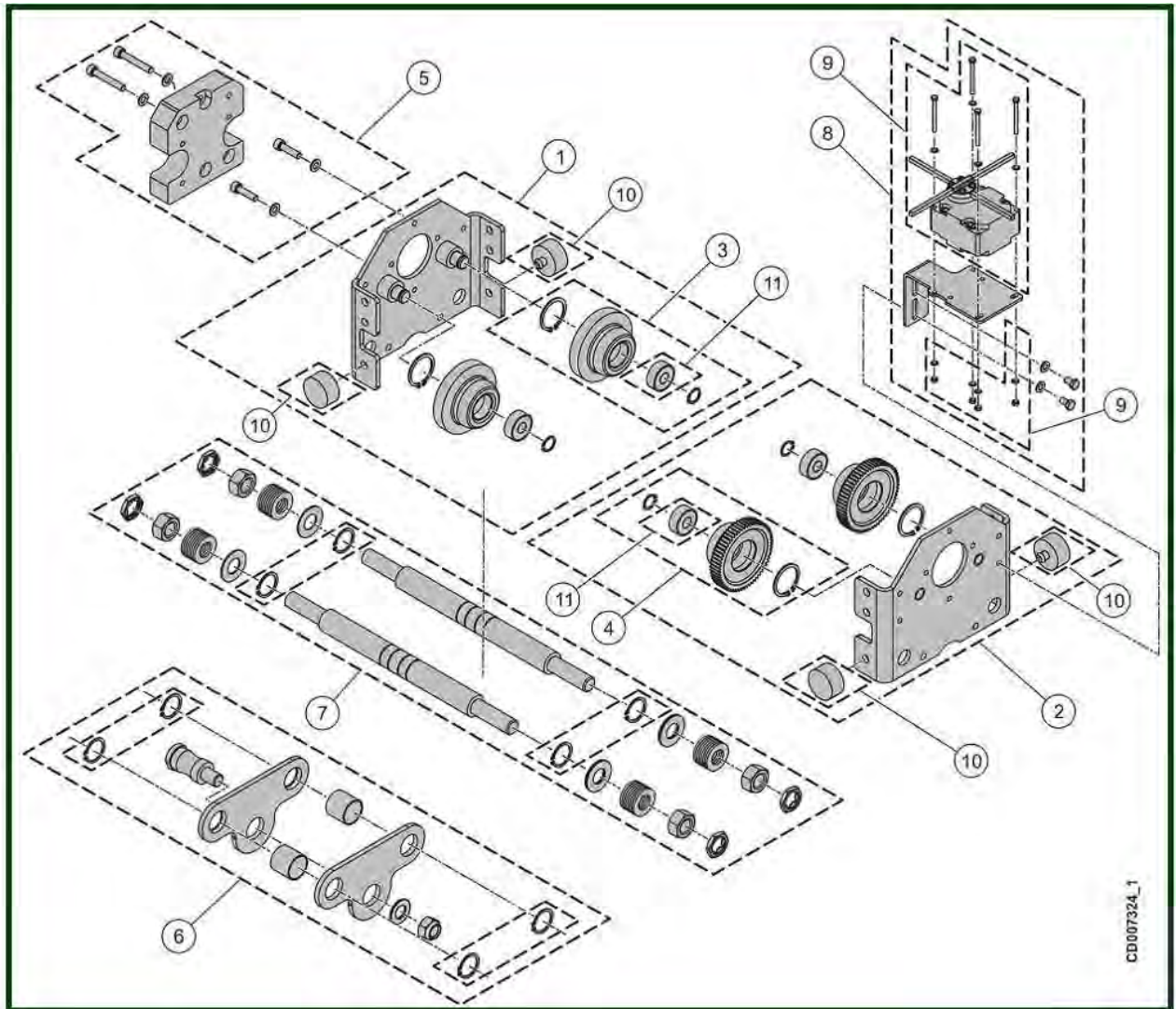
NHT

Item	Reference	Description	Observation	Quantity
1	<u>VT0007051</u>	Idler side plate assembly		1
2	<u>VT0007066</u>	Drive side plate assembly		1
3	<u>VT0007061</u>	Complete set of travel wheel without shaft		1
4	<u>VT0007063</u>	Set driving wheel without shaft	Ø 62 - 93 mm	1
5	<u>VT0007062</u>	Set of counterweight		1
6	<u>VT0007064</u>	Coupling part	Hanging version	1
7	<u>VT0007026</u>	Tie rod set beam- 55 à 100 mm	Monobloc tie road since 1999	1
7	<u>VT0007027</u>	Tie rod set beam- 106 à 150 mm	Monobloc tie road since 1999	1
7	<u>VT0007028</u>	Tie rod set beam- 155 à 200 mm	Monobloc tie road since 1999	1
7	<u>VT0007029</u>	Tie rod set beam- 206 à 248 mm	Monobloc tie road since 1999	1
7	<u>VT0007030</u>	Tie rod set beam- 260 à 307 mm	Monobloc tie road since 1999	1
7	<u>VT0007031</u>	Tie rod set beam- 308 à 310 mm	Monobloc tie road since 1999	1
8	<u>VT0007098</u>	Limit switch - 1 step		1
8	<u>VT0008775</u>	Limit switch - 2 steps		1
9	<u>VT0008776</u>	Travelling limit switch assembly 1 step		1
9	<u>VT0008777</u>	Travelling limit switch assembly 2 steps		1
10	<u>VT0009357</u>	Buffer	D40x20 - C1 to C5	1
11	<u>VT0007091</u>	Ball Bearing		1



### 7.3. C2 trolley - 1001 to 2000 kg – Hanging version

*Only for voltage greater than 480V*



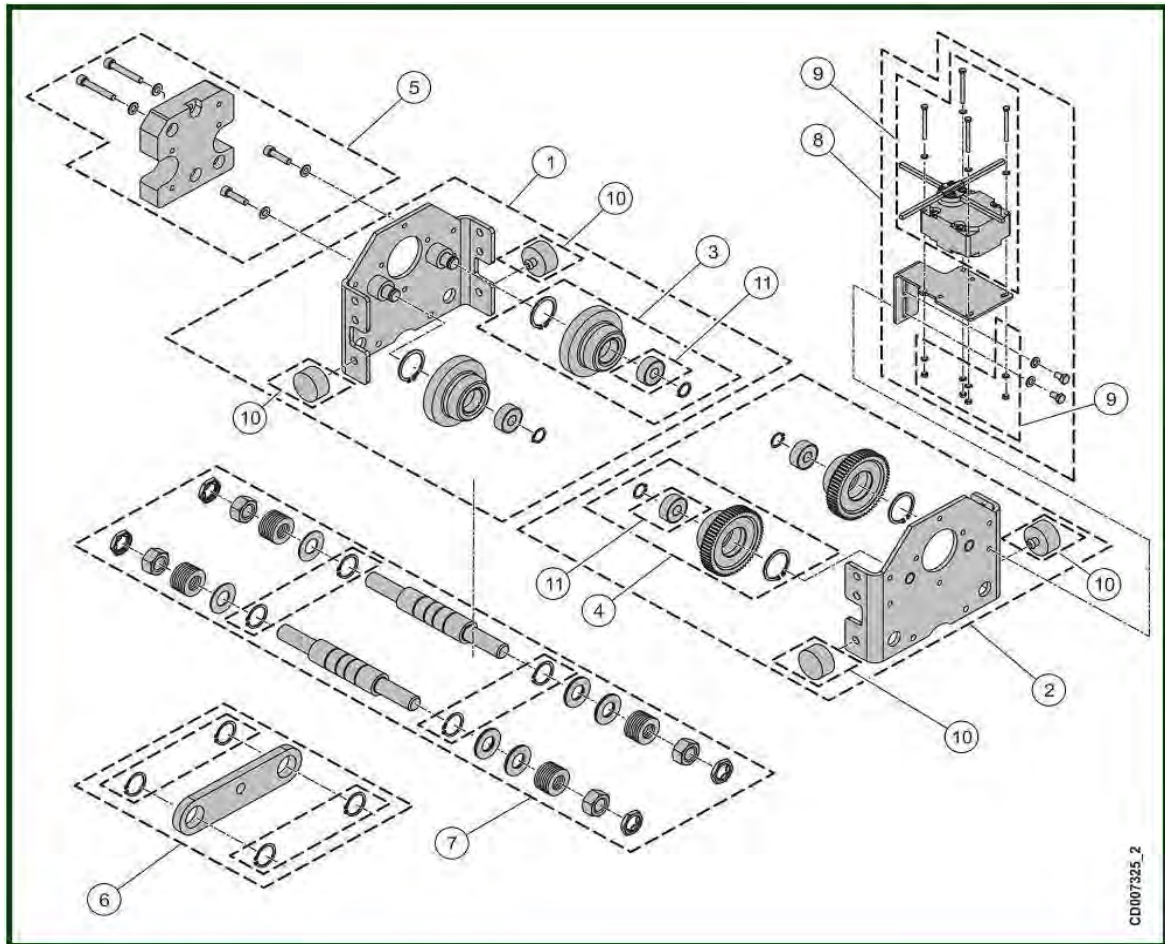
C2 trolley - 1001 to 2000 kg – Hanging version

*Only for voltage greater than 480V*

Item	Reference	Description	Observation	Quantity
1	<u>VT0007067</u>	Idler side plate assembly	C2	1
2	<u>VT0007068</u>	Drive side plate assembly	C2	1
3	<u>VT0007069</u>	Set of idler wheel without shaft	C2 - Ø 80x120 mm	1
4	<u>VT0008778</u>	Set of driving wheel without shaft	C2 - Ø 80x120 mm	1
5	<u>VT0008780</u>	Set of counterweight	C2	1
6	<u>VT0008779</u>	Coupling part	C2 - Hanging version	1
7	<u>VT0007036</u>	Tie rod set beam - 64 à 126 mm	C2 -Monobloc tie road since 1999	1
7	<u>VT0007037</u>	Tie rod set beam - 131 à 190 mm	C2 -Monobloc tie road since 1999	1
7	<u>VT0007038</u>	Tie rod set beam - 198 à 248 mm	C2 -Monobloc tie road since 1999	1
7	<u>VT0007039</u>	Tie rod set beam - 260 à 310 mm	C2 -Monobloc tie road since 1999	1
8	<u>VT0007098</u>	Limit switch - 1 step		1
8	<u>VT0008775</u>	Limit switch - 2 steps		1
9	<u>VT0008776</u>	Travelling limit switch assembly 1 step		1
9	<u>VT0008777</u>	Travelling limit switch assembly 2 steps		1
10	<u>VT0007088</u>	Rubber buffer	40X20 M10	1
11	<u>VT0008781</u>	Ball Bearing	C2	1

## 7.4. C2 trolley - 1001 to 2000 kg – Coupled version

*Only for voltage greater than 480V*



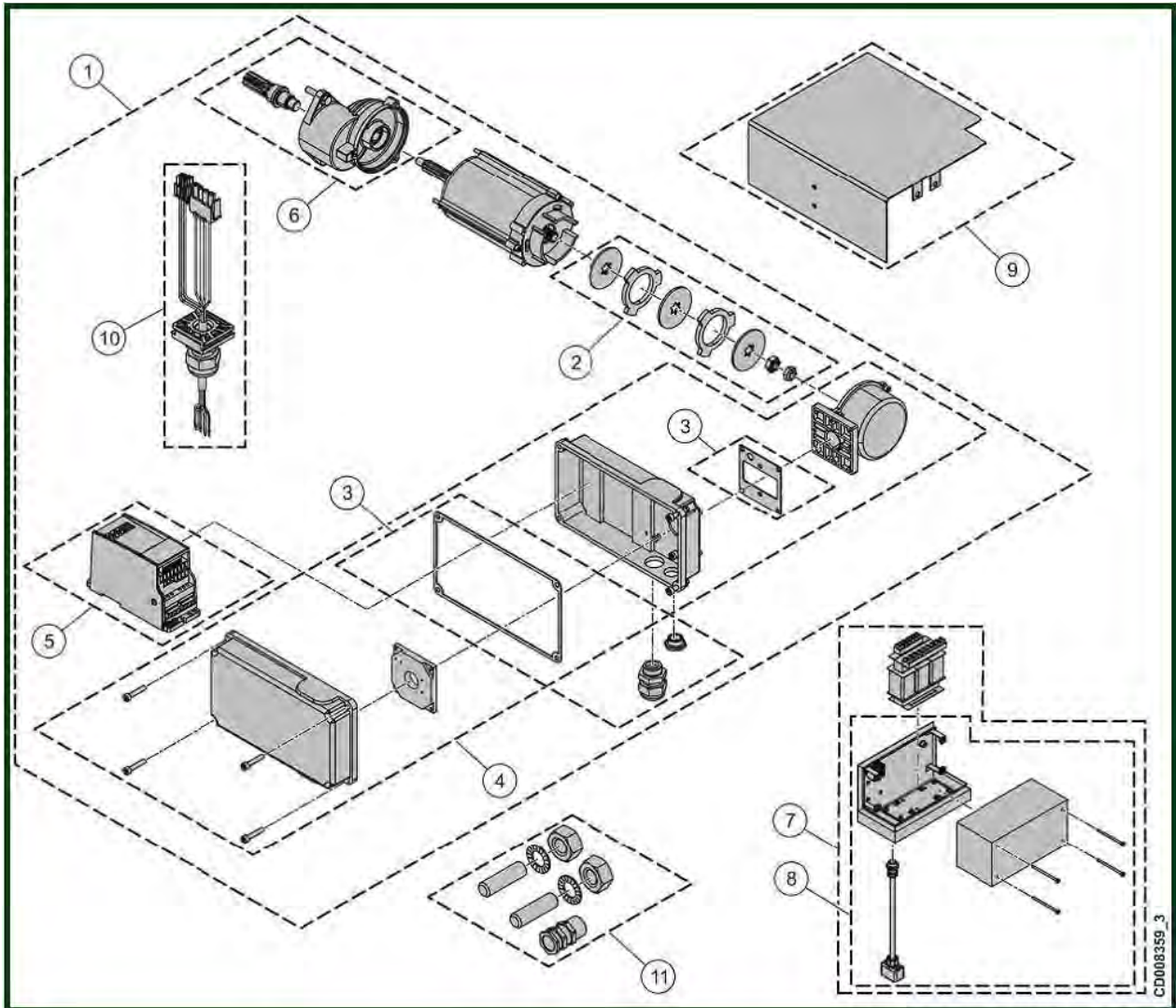
CD007325\_2

C2 trolley - 1001 to 2000 kg – Coupled version

*Only for voltage greater than 480V*

Item	Reference	Description	Observation	Quantity
1	<u>VT0007067</u>	Idler side plate assembly	C2	1
2	<u>VT0007068</u>	Drive side plate assembly	C2	1
3	<u>VT0007069</u>	Set of idler wheel without shaft	C2 - Ø 80x120 mm	1
4	<u>VT0008778</u>	Set of driving wheel without shaft	C2 - Ø 80x120 mm	1
5	<u>VT0008780</u>	Set of counterweight	C2	1
6	<u>VT0007085</u>	Cross bar	Coupled version	1
7	<u>VT0007036</u>	Tie rod set beam- 64 à 126 mm	C2 - Monobloc tie road since 1999	1
7	<u>VT0007037</u>	Tie rod set beam- 131 à 190 mm	C2 - Monobloc tie road since 1999	1
7	<u>VT0007038</u>	Tie rod set beam- 198 à 248 mm	C2 - Monobloc tie road since 1999	1
7	<u>VT0007039</u>	Tie rod set beam- 260 à 310 mm	C2 - Monobloc tie road since 1999	1
8	<u>VT0007098</u>	Limit switch - 1 step		1
8	<u>VT0008775</u>	Limit switch - 2 steps		1
9	<u>VT0008776</u>	Travelling limit switch assembly 1 step		1
9	<u>VT0008777</u>	Travelling limit switch assembly 2 steps		1
10	<u>VT0007088</u>	Rubber buffer	40X20 M10	1
11	<u>VT0008781</u>	Ball Bearing	C2	1

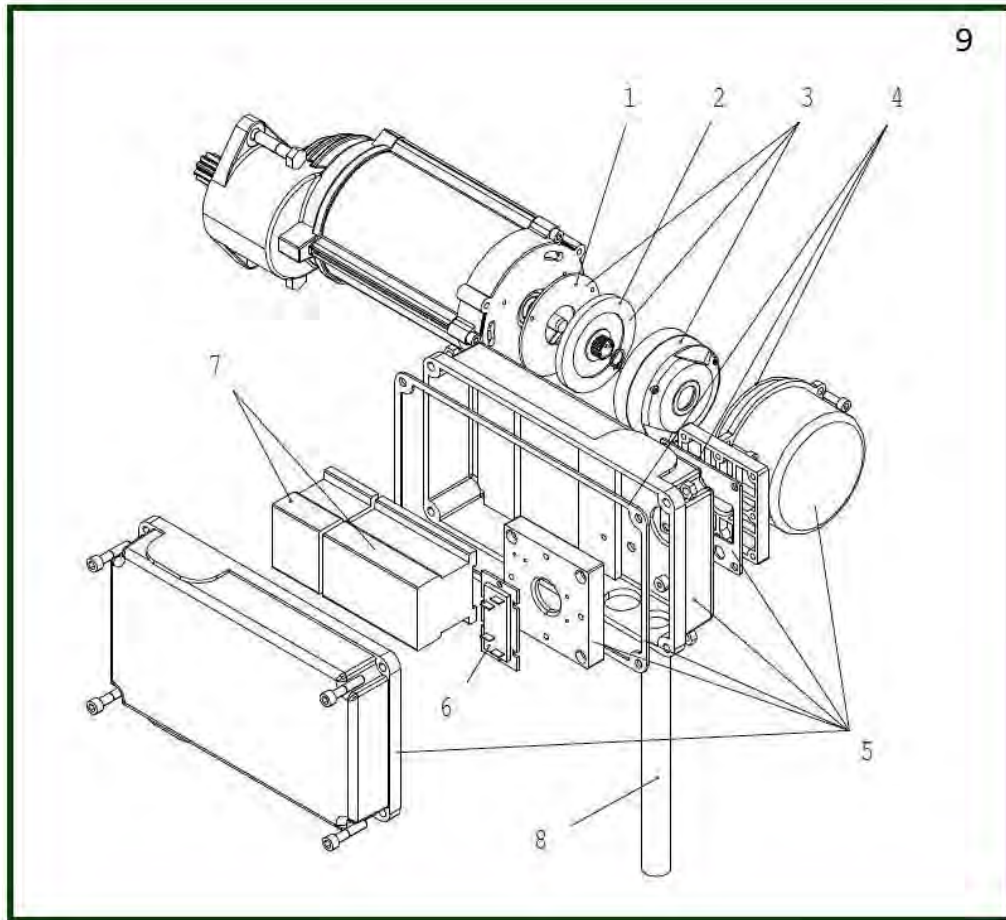
## 7.5. Inverter TMU motor



Inverter TMU motor

Item	Reference	Description	Observation	Quantity
1	<u>52890308</u>	Travelling machinery - TMU1	42-230V < 1000 Kg	1
1	<u>52890306</u>	Travelling machinery – TMU2	42-230V > 1000 Kg to 2000	1
2	<u>52296293</u>	Brake repair Set	M06-001V	1
3	<u>52300292</u>	Sealing set	M06-008V	1
4	<u>52907130</u>	Housing set	M06-022V	1
5	<u>52387783</u>	Inverter VT003 TMK003.380 460V/ ctrl 42 230V	Since january 2015 for motor already equipped of this inverter	1
6	<u>52297191</u>	Reducer	GEL105PT1B0	1
7	<u>52303806</u>	Control panel	T50E-TE07	1
8	<u>53050878</u>	Housing set	UKTM/ALTM-NEW	1
9	<u>52305058</u>	Rain cover	All models C1 to C5	1
10	<u>53110165</u>	Connection cable	TMU 1&2	1
11	<u>52908158</u>	Fixing set		1

## 7.6. Two speeds TMU motor

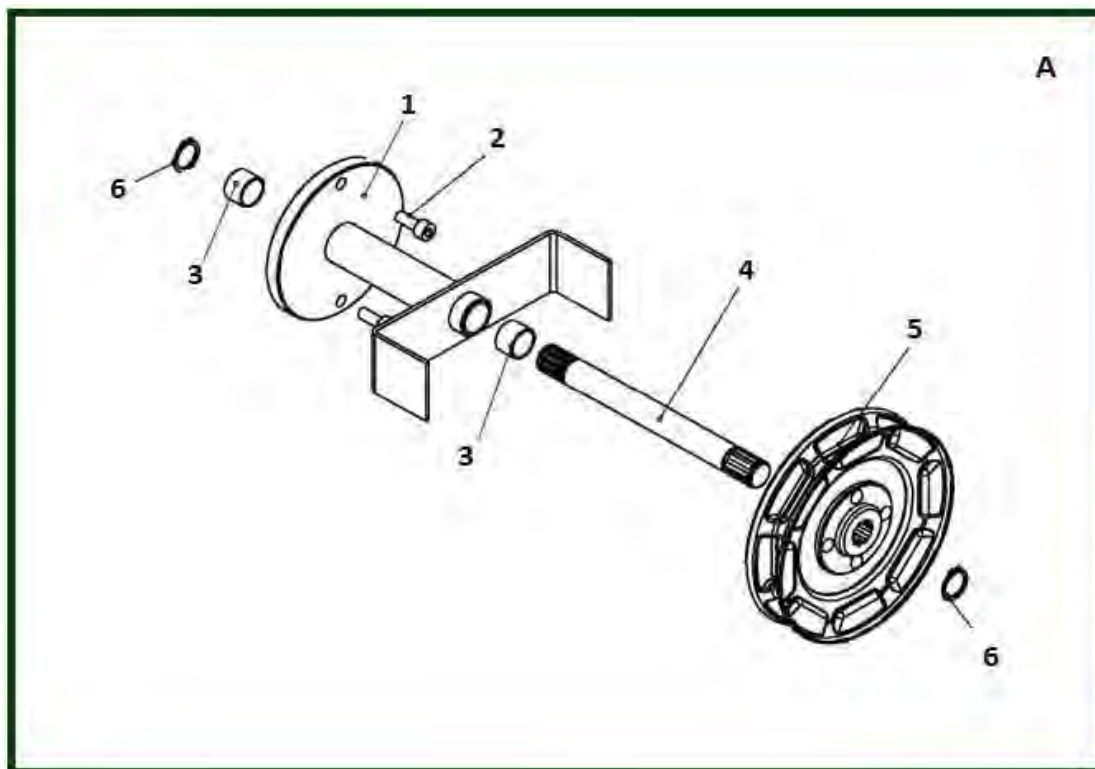


Two speeds TMU motor

Item	Reference	Description	Observation	Quantity
1	<u>52269590</u>	Friction plate		1
2	<u>52269587</u>	Brake disc		1
3	<u>52318378</u>	Brake disc 180V	MF06MA104	1
3	<u>52318416</u>	Brake disc 240V	MF06MA104	1
3	<u>52318424</u>	Brake disc 290V	MF06MA104	1
4	<u>52300292</u>	Sealing set	M06-008V	1
5	<u>52300291</u>	Terminal box	M06-007V	1
6	<u>15823007</u>	Rectifier	Motor 220V	1
6	<u>15823006</u>	Rectifier	Motor 380 à 550V	1
7	<u>1123052</u>	Reversing contactor	110V	1
7	<u>1113097</u>	Reversing contactor	230V	1
7	<u>1113023</u>	Reversing contactor 400V/48V	LC2ECO9E (7531023V) Hoisting cross travelling	1
7	<u>1113098</u>	Main contactor KAU	230 V 50/60 Hz	1
7	<u>1113021</u>	Selector contactor	48V	1
7	<u>1123050</u>	Selector contactor	110V	1
8	<u>53243829</u>	Connection Cable	TMU 1&2	1
9	<u>52782175</u>	TMU motor 2 speeds	230V/48V 50 Hz	1
9	<u>52782173</u>	TMU motor 2 speeds	230V/115V 60 Hz - Standard	1
9	<u>52782176</u>	TMU motor 2 speeds	400V/48V 50 Hz	1
9	<u>52782171</u>	TMU motor 2 speeds	460V/115V 60 Hz - Standard	1
9	<u>52782177</u>	TMU motor 2 speeds	500V/48V 50 Hz	1
9	<u>52782172</u>	TMU motor 2 speeds	575V/115V 60 Hz - Standard	1
-	<u>52305058</u>	Rain cover	All models C1 to C5	1

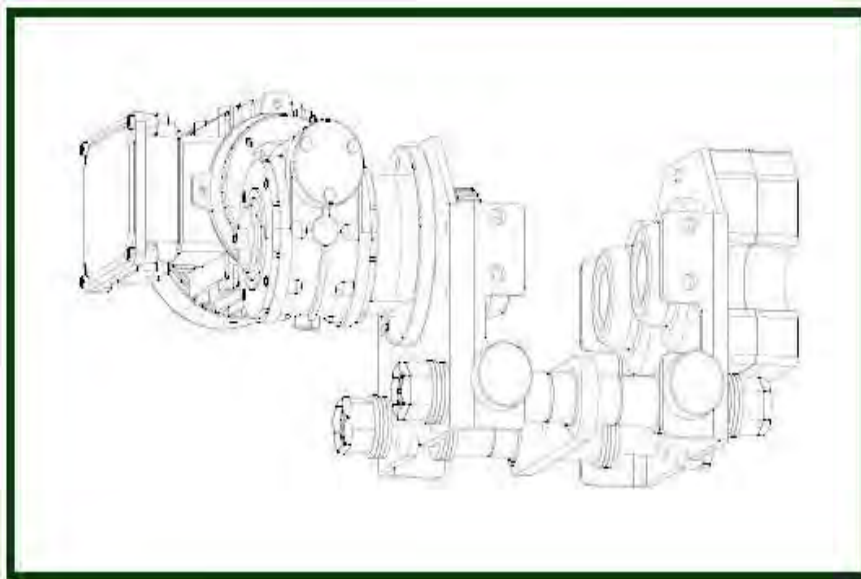


## 7.7. Chain travel



Item	Reference	Description	Observation	Quantity
1	<a href="#">52306328</a>	Support		1
2	<a href="#">830905</a>	CHC Screw 8X20		1
3	<a href="#">993275</a>	Bearing		1
4	<a href="#">52306329</a>	CHM shaft		1
5	<a href="#">400953</a>	Travelling hand wheel - $\varnothing$ 165 mm	3,2T	1
6	<a href="#">400052</a>	Circlips		1
	<a href="#">53020194</a>	Galvanized hand chain - 5x27,1	9,8 meters	1
	<a href="#">820003</a>	Galvanized hand chain - 5x27,1		1
A	<a href="#">52306332</a>	Chain operated manual travelling	C1 to C5	1

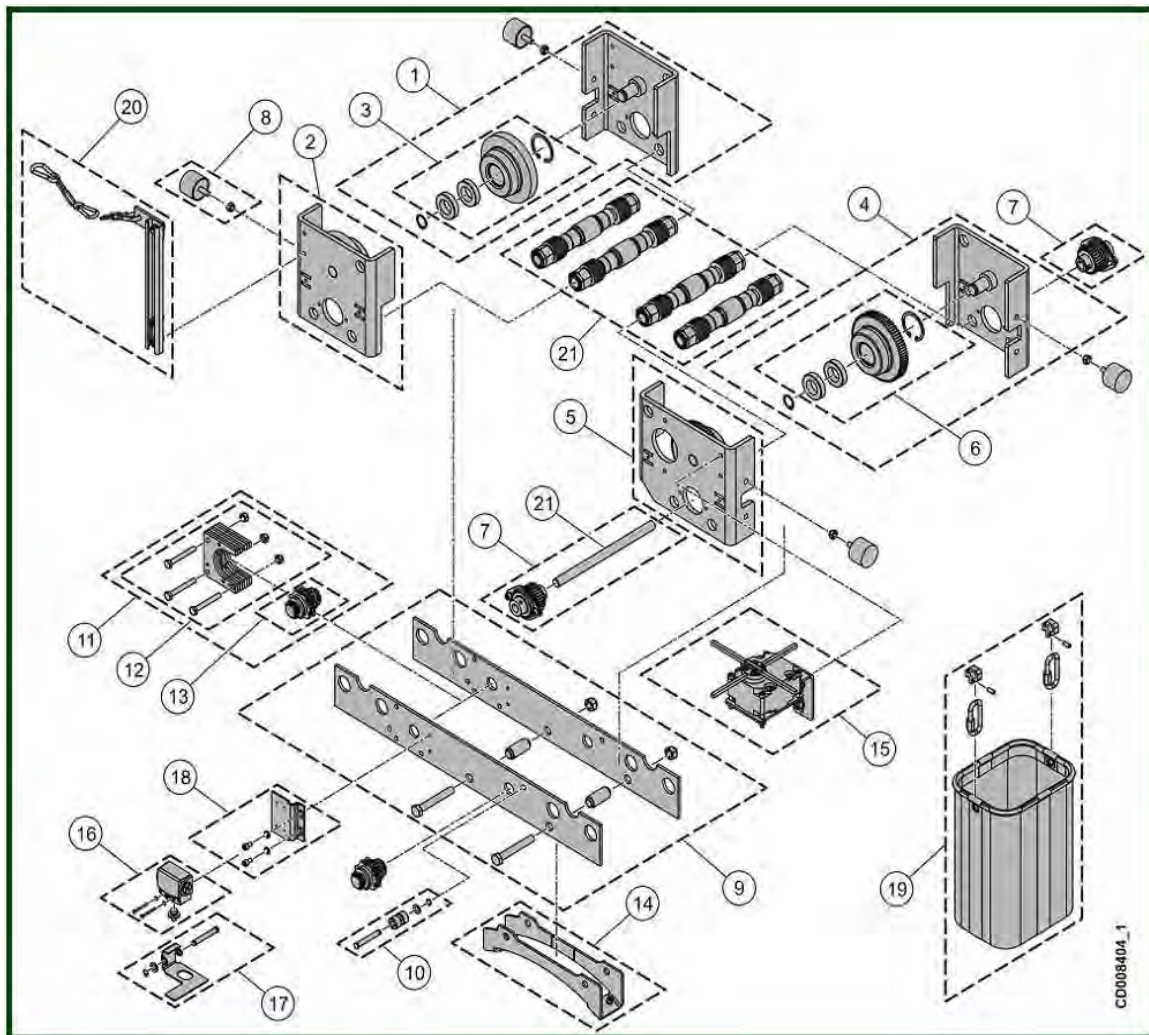
## 7.8. Right angle motor



Item	Reference	Description	Observation	Quantity
	<a href="#">551037</a>	Cubicle		1
	<a href="#">2216904</a>	Adaptation set for right angle travelling machinery	Pinion, flange, screws	1
	<a href="#">556972</a>	Right angle travelling machinery	Speed 10 & 2.5m/min - For C1-C2-C3	1
	<a href="#">2133033</a>	CI board	2CS - MAC	1

## 8. LOW HEADROOM TROLLEY

LHT



Low Headroom Trolley

LHT

Item	Reference	Description	Observation	Quantity
1	<a href="#">VT0008742</a>	Idle flange		1
2	<a href="#">VT0008743</a>	Idle flange	Motor side	1
3	<a href="#">VT0008961</a>	Travel wheel idle without shaft		2
4	<a href="#">VT0008745</a>	Motor flange		1
5	<a href="#">VT0008746</a>	Motor flange	Motor side	1
6	<a href="#">VT0008963</a>	Travel wheel without shaft		2
7	<a href="#">VT0008748</a>	Gear wheel set - 66 à 112	L232	1
7	<a href="#">VT0008947</a>	Gear wheel set - 113 à 154	L274	1
7	<a href="#">VT0008948</a>	Gear wheel set - 155 à 199	L315	1
7	<a href="#">VT0008949</a>	Gear wheel set - 200 à 259	L362	1
7	<a href="#">VT0008950</a>	Gear wheel set - 260 à 300	L422	1
8	<a href="#">VT0008749</a>	Buffer	D40L50	1
9	<a href="#">VT0008894</a>	Plate set	LHT	1
10	<a href="#">VT0008895</a>	Diabolo set	LHT - 5x14	1
11	<a href="#">VT0008752</a>	Chain guide	5x14	1
12	<a href="#">VT0008753</a>	Sprocket	5x14	1
13	<a href="#">VT0008754</a>	Chain sprocket	5x14	1
14	<a href="#">VT0008755</a>	Suspension		1
15	<a href="#">VT0008756</a>	Limit switch	1 step	1
16	<a href="#">VT0008892</a>	Limit switch assembly	LHT	1
17	<a href="#">VT0008891</a>	Limit switch activator	LHT	1
18	<a href="#">VT0008893</a>	Fixing set	LHT	1
19	<a href="#">VT0008760</a>	Chain bucket	30 m for 7x20	1
20	<a href="#">VT0008761</a>	Towing arm	L250	1
20	<a href="#">VT0008762</a>	Towing arm	L450	1
21	<a href="#">VT0008951</a>	Shaft set - 66 to 112	L232	1
21	<a href="#">VT0008952</a>	Shaft set - 113 to 154	L274	1
21	<a href="#">VT0008953</a>	Shaft set - 155 to 199	L315	1
21	<a href="#">VT0008954</a>	Shaft set - 200 to 259	L362	1
21	<a href="#">VT0008955</a>	Shaft set - 260 to 300	L422	1