

Spare parts catalog for "VR05 Vario"

To avoid errors, when ordering please specify:

- Complete type of hoist
- Date of manufacture and serial number
- Spare part code
- Spare part designation
- Additional information



1) FRAME

- 1.1) Manual trolley
- 1.2) Suspension hook
- 1.3) Electric trolley

2) CHAIN GUIDE

- 2.1) Chain guide 5x14 + Hook
- 2.2) Chain guide 4x11 + Hook
- 2.3) Precut chain

3) GEAR

4) MOTOR

5) ELECTRICALS PARTS

6) PUSH BUTTON CONTROLLER

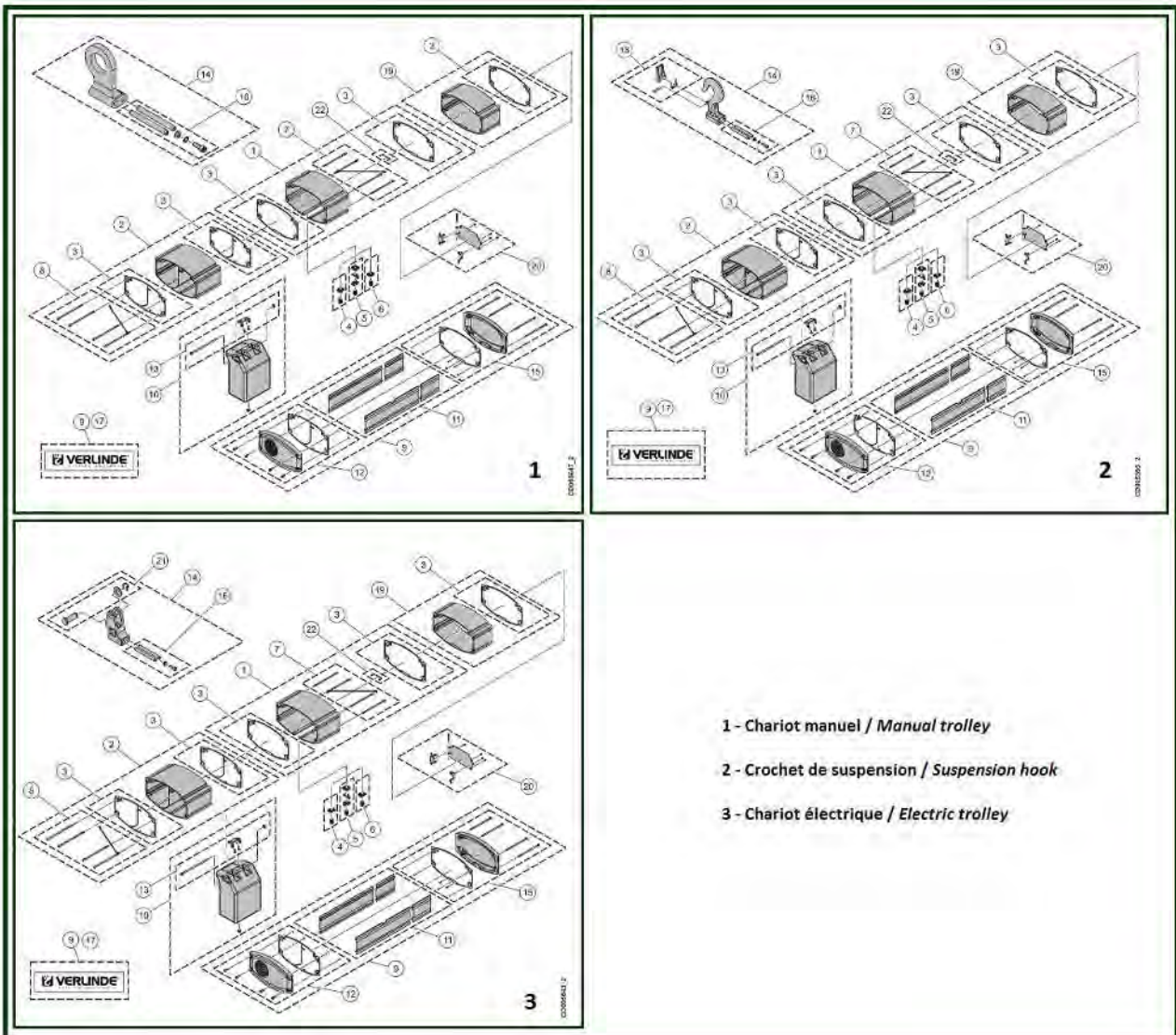
- 6.1) 2 buttons
- 6.2) 4 buttons
- 6.3) 6 buttons

6.4) Push button controller - From september 2014

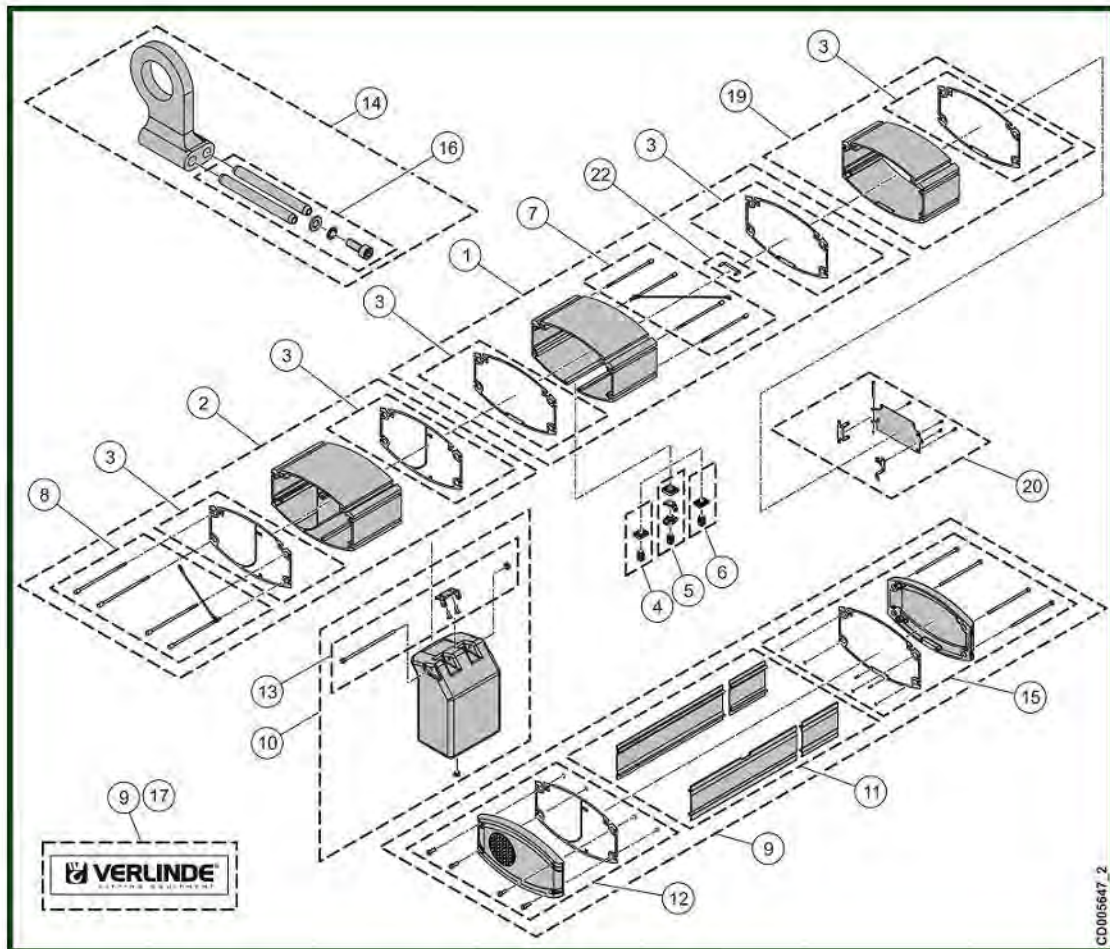
7) NORMAL HEADROOM TROLLEY

- 7.1) C1 trolley - 0 to 1000 kg - Hanging version
- 7.2) C1 trolley - 0 to 1000 kg - Coupled version

1) Frame

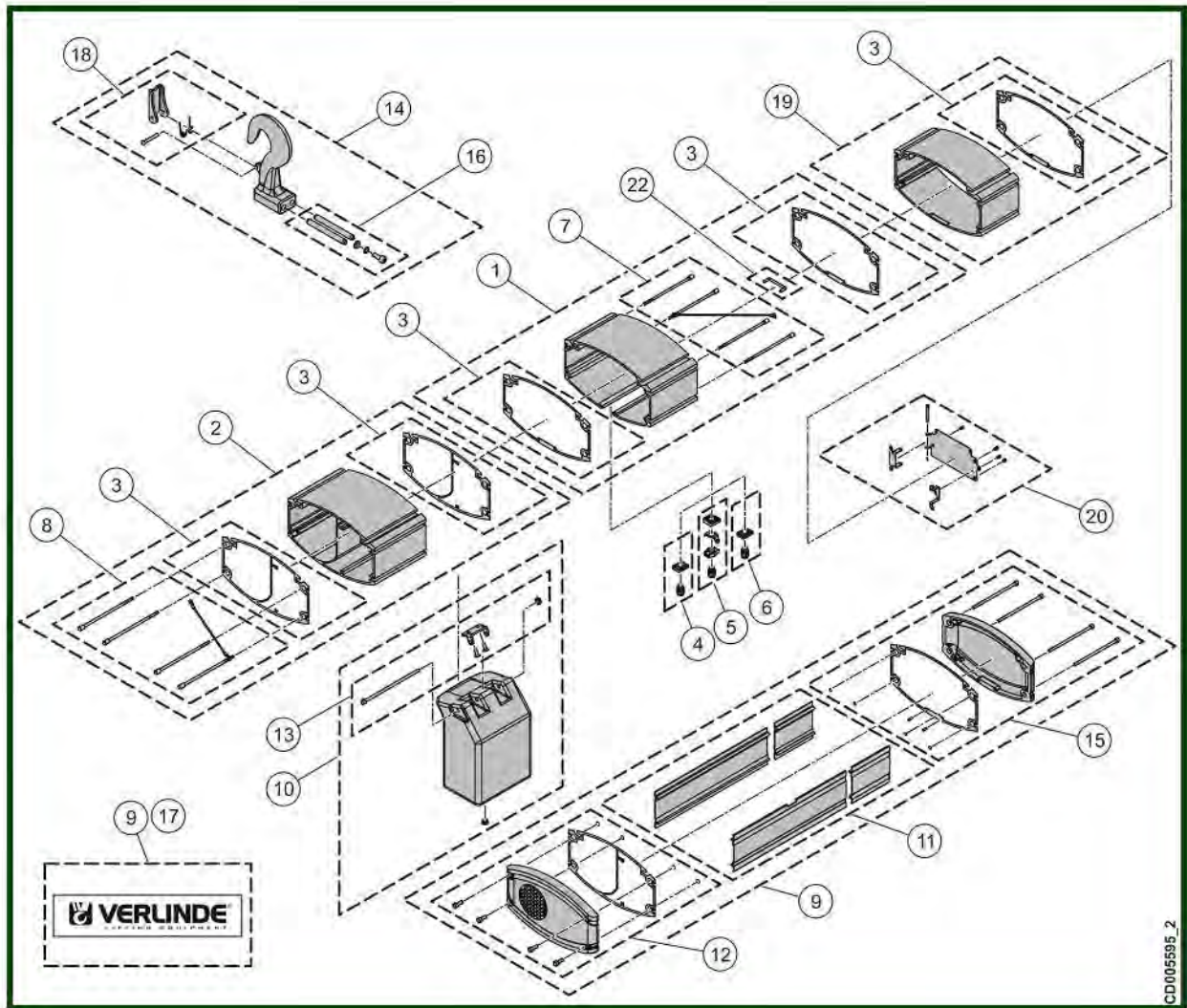


1.1) Manual trolley



item	reference	description	observation	Quantity
1	VT0006413	Frame - Brake side		1
2	VT0006414	Frame - Motor side		1
3	VT0006415	Sealing set		1
4	VT0006393	Cable gland set - Square cable entry	CG M20- ISO 20 Chariot-Alimentation Trolley-Power supply	1
5	VT0005090	Cable gland set - Square cable entry	Boîte à boutons / Push button	1
6	VT0006089	End cap - Square cable entry		1
7	VT0006416	Screw set - Brake side	M6L147	1
8	VT0006417	Screw set - Motor side	M6L161	1
9	VT0007280	Frame		1
10	VT0004964	Chain bucket	8 m pour/for 5x14 - 12 m pour/for 4x11	1
10	VT0006358	Chain bucket	16 m pour/for 5x14	1
10	VT0006002	Chain bucket	30 m pour/for 5x14 - 50 m pour/for 4x11 - Industrial/Normal	1
11	VT0006419	Housing		1
12	VT0007281	Cover set - Motor side		1
13	VT0007282	Fixing set - Chain bucket		1
14	VT0004966	Coupling part	Chariot manuel / Manual trolley	1
15	VT0006424	Cover set - Brake side		1
16	VT0004862	Fixing set - Rotating + fixed upper hook		1
17	VT0006337	Stickers of Brand	Simple frein / single brake	1
19	VT0006425	Cover set - Inverter		1
20	VT0007299	Inverter - Fixing plate (set)		1
22	VT0007283	Locking part		1
	VT0006026	Identification plate	Demande de numéro de série /Serial number request	1

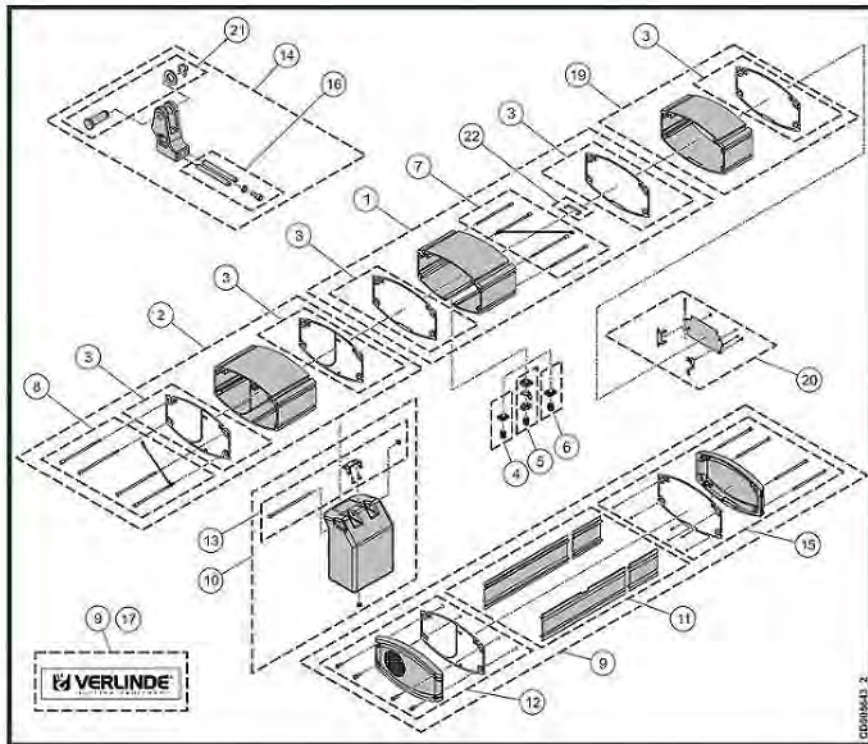
1.2) Suspension hook



item	reference	description	observation	Quantity
1	VT0006413	Frame - Brake side		1
2	VT0006414	Frame - Motor side		1
3	VT0006415	Sealing set		1
4	VT0006393	Cable gland set - Square cable entry	CG M20- ISO 20 Chariot-Alimentation Trolley-Power supply	1
5	VT0005090	Cable gland set - Square cable entry	Boîte à boutons / Push button	1
6	VT0006089	End cap - Square cable entry		1
7	VT0006416	Screw set - Brake side	M6L147	1
8	VT0006417	Screw set - Motor side	M6L161	1
9	VT0007280	Frame		1
10	VT0004964	Chain bucket	8 m pour/for 5x14 - 12 m pour/for 4x11	1
10	VT0006358	Chain bucket	16 m pour/for 5x14	1
10	VT0006002	Chain bucket	30 m pour/for 5x14 - 50 m pour/for 4x11 - Industrial/Normal	1
11	VT0006419	Housing		1
12	VT0007281	Cover set - Motor side		1
13	VT0007282	Fixing set - Chain bucket		1
14	VT0004967	Suspension hook		1
15	VT0006424	Cover set - Brake side		1
16	VT0004862	Fixing set - Rotating + fixed upper hook		1
17	VT0006337	Stickers of Brand	Simple frein / single brake	1

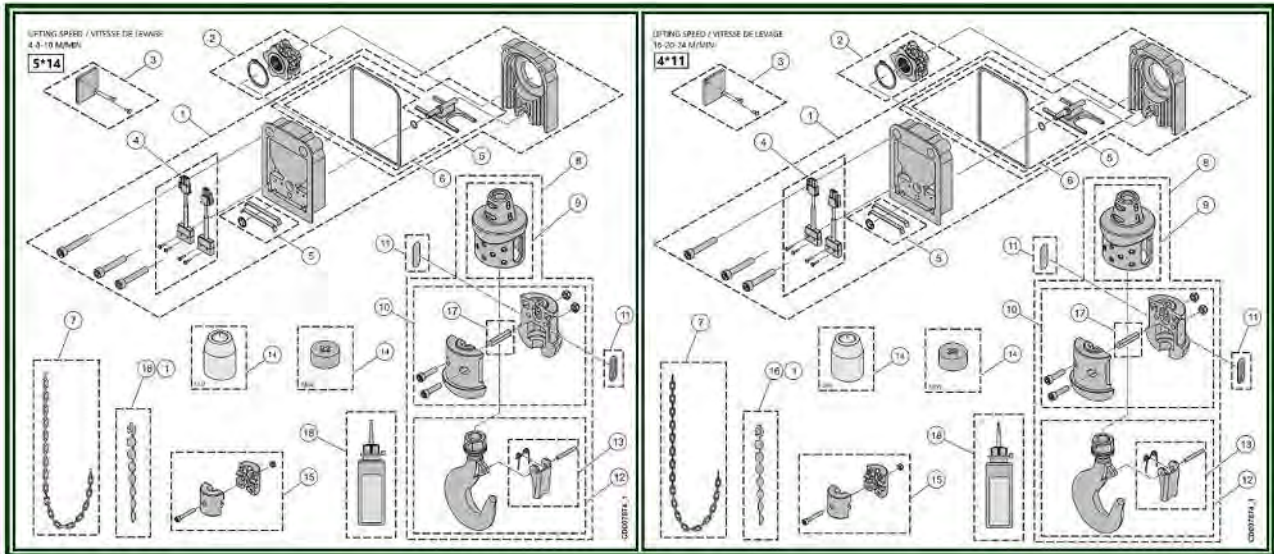
18	<u>VT0004968</u>	Safety latch set	Simple frein-Crochet standard Single brake-Standard hook 0,12T-0,25T	1
19	<u>VT0006425</u>	Cover set - Inverter		1
20	<u>VT0007299</u>	Inverter - Fixing plate (set)		1
22	<u>VT0007283</u>	Locking part		1
	<u>VT0006026</u>	Identification plate	Demande de numéro de série /Serial number request	1

1.3) Electric trolley



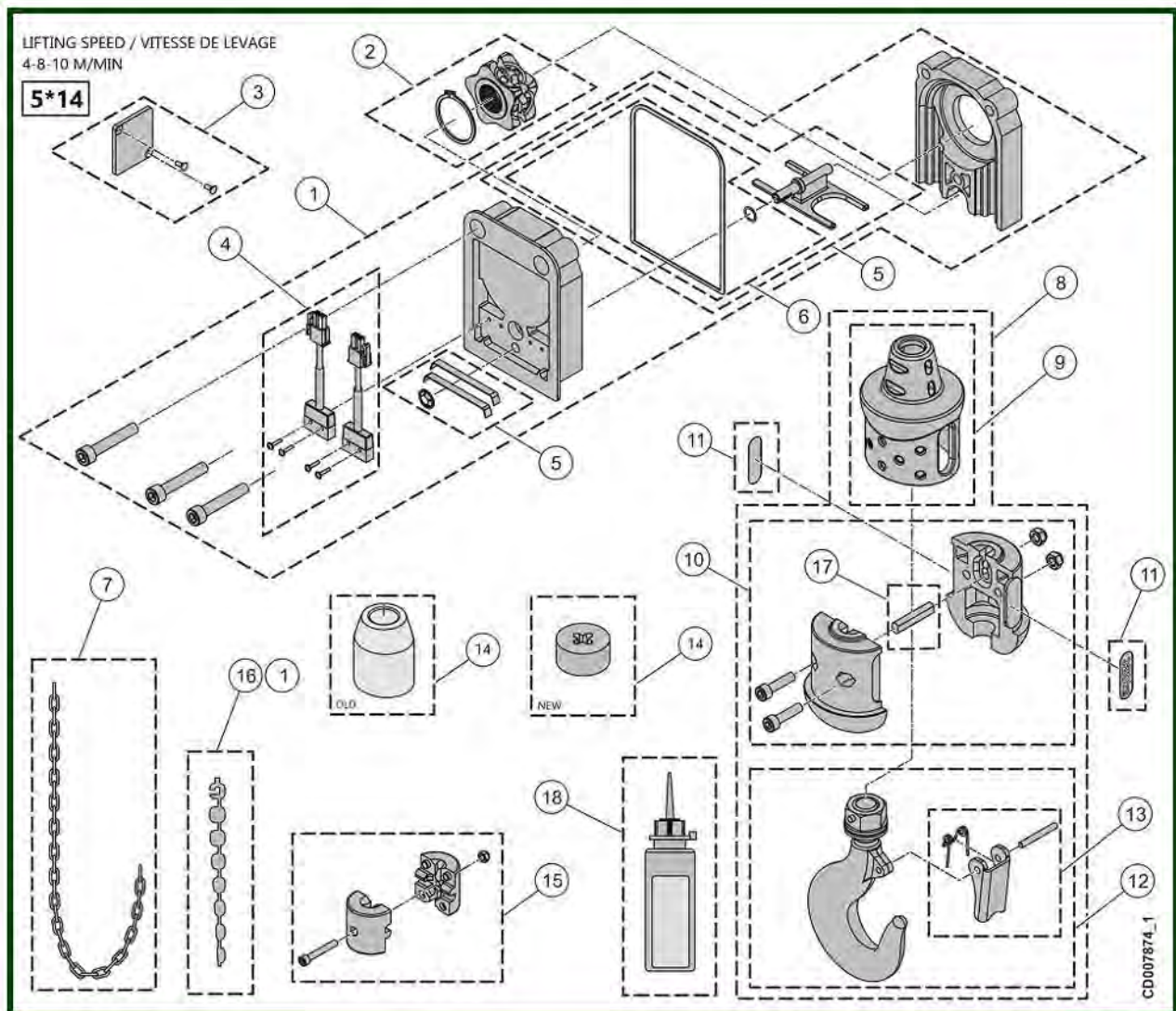
item	reference	description	observation	Quantity
1	VT0006413	Frame - Brake side		1
2	VT0006414	Frame - Motor side		1
3	VT0006415	Sealing set		1
4	VT0006393	Cable gland set - Square cable entry	CG M20- ISO 20 Chariot-Alimentation Trolley-Power supply	1
5	VT0005090	Cable gland set - Square cable entry	Boîte à boutons / Push button	1
6	VT0006089	End cap - Square cable entry		1
7	VT0006416	Screw set - Brake side	M6L147	1
8	VT0006417	Screw set - Motor side	M6L161	1
9	VT0007280	Frame		1
10	VT0004964	Chain bucket	8 m pour/for 5x14 - 12 m pour/for 4x11	1
10	VT0006358	Chain bucket	16 m pour/for 5x14	1
10	VT0006002	Chain bucket	30 m pour/for 5x14 - 50 m pour/for 4x11 - Industrial/Normal	1
11	VT0006419	Housing		1
12	VT0007281	Cover set - Motor side		1
13	VT0007282	Fixing set - Chain bucket		1
14	VT0006331	Coupling parts	Chariot électrique / Electric trolley	1
15	VT0006424	Cover set - Brake side		1
16	VT0004862	Fixing set - Rotating + fixed upper hook		1
17	VT0006337	Stickers of Brand	Simple frein / single brake	1
19	VT0006425	Cover set - Inverter		1
20	VT0007299	Inverter - Fixing plate (set)		1
22	VT0007283	Locking part		1
	VT0006026	Identification plate	Demande de numéro de série /Serial number request	1

2) Chain guide



2.1) Chain guide 5x14 + Hook

Vitesse de levage / Lifting speed : 4-8-10 m / min

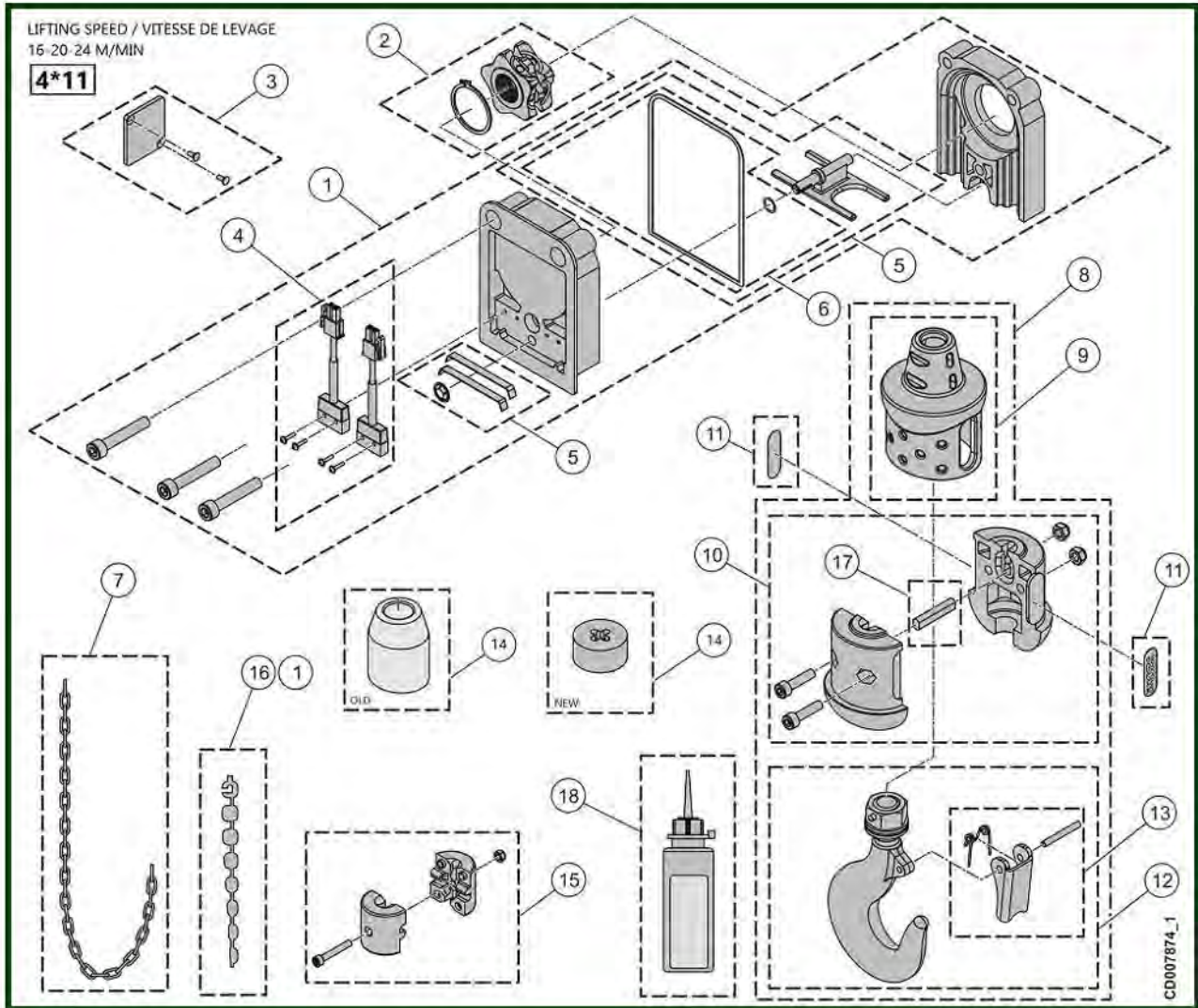


item	reference	description	observation	Quantity
1	VT0004875	Chain guide - Chain 5x14	Version inversée / Inverted version	1
2	VT0005106	Chain sprocket		1
3	VT0004870	Cap	Guide-chaîne / Chain guide	1
4	VT0004876	Switch set		1
5	VT0004872	Limit switch activator		1
6	VT0004871	Sealing set		1
7	VT0005109	Galvanized standard chain - 5x14		1
7	VT0006343	Stainless steel chain - 5x14		1
8	VT0006488	Hook block - 1 fall	Crochet automatique / Automatic hook	1
8	VT0006487	Hook block - 1 fall	Crochet inox / Stainless steel hook	1
8	VT0004969	Hook block - 1 fall	Crochet standard / Standard hook	1
9	VT0004971	Rubber chain stop		1
10	VT0007303	Half casing set	Crochet inox / Stainless steel hook	1
10	VT0004873	Half casing set	Crochet standard / Standard hook	1
11	VT0006340	Set of 10 stickers load	250 Kg	1
11	VT0006341	Set of 10 stickers load	320 Kg	1
11	VT0006041	Set of 10 stickers load	500 Kg	1
11	VT0006342	Set of 10 stickers load	630 Kg	1
12	VT0006453	Automatic hook		1
12	VT0006452	Stainless steel hook		1
12	VT0004975	Standard hook		1

13	<u>VT0007304</u>	Safety latch set	Crochet inox / Stainless steel hook	1
13	<u>VT0004968</u>	Safety latch set	Simple frein-Crochet standard Single brake-Standard hook 0,12T-0,25T	1
14	<u>VT0004934</u>	Rubber chain stop - Old model	Attention : Ne pas utiliser en butée intermédiaire sur le brin de chaîne de lavage Be careful : Never use as chain stop side hook	1
14	<u>VT0007024</u>	Slack fall stop - New model	Depuis / Since 24/06/2015	1
15	<u>VT0004877</u>	Chain stop		1
16	<u>VT0005574</u>	Chain fitting tool		1
17	<u>VT0006240</u>	Shaft		1
18	<u>VT0006025</u>	Oil can		1

2.2) Chain guide 4x11 + Hook

Vitesse de levage / Lifting speed : 16-20-24 m / min



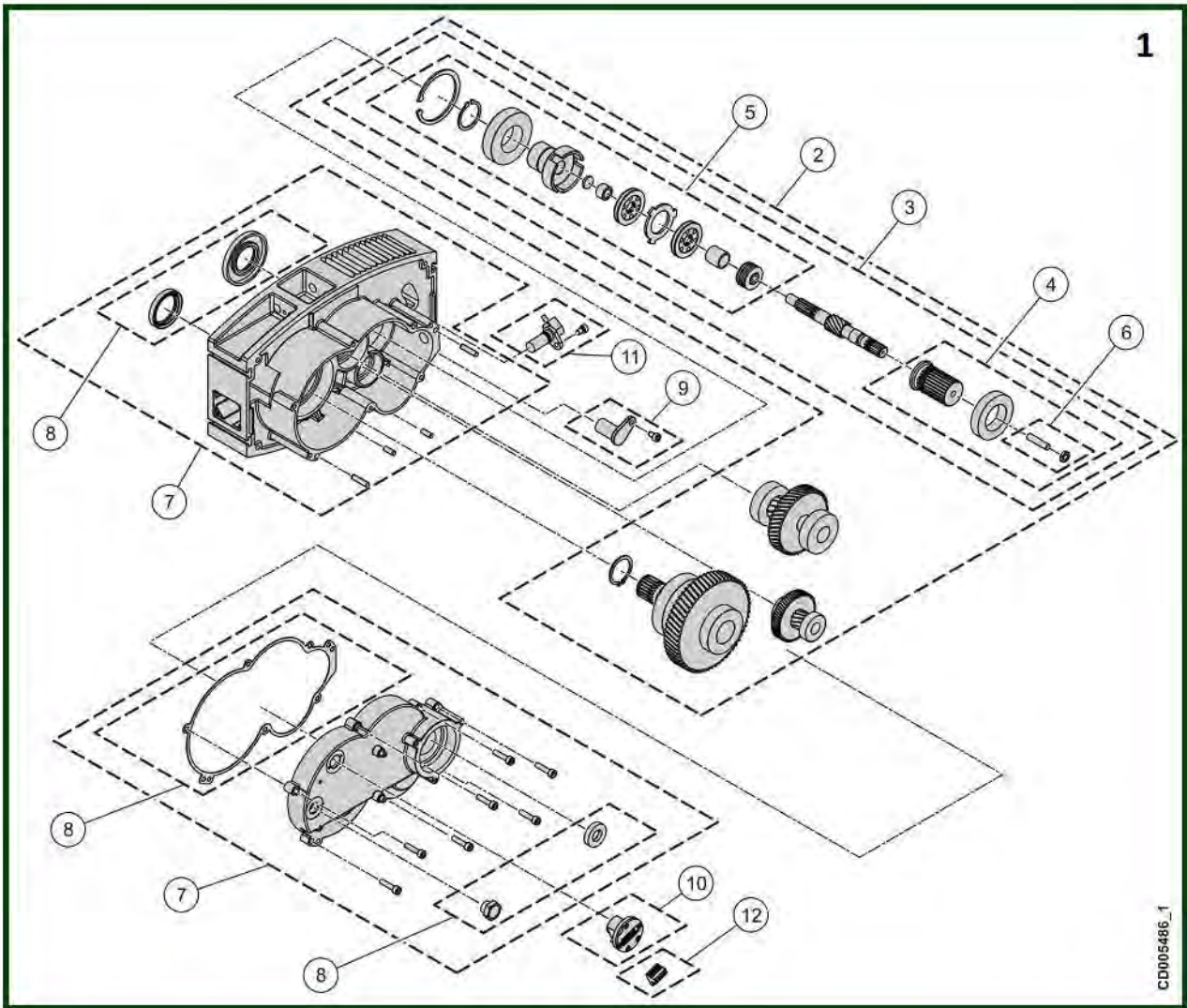
item	reference	description	observation	Quantity
1	VT0005111	Chain guide - Chain 4x11		1
2	VT0005110	Chain sprocket		1
3	VT0004870	Cap	Guide-chaîne / Chain guide	1
4	VT0004876	Switch set		1
5	VT0004872	Limit switch activator		1
6	VT0004871	Sealing set		1
7	VT0005076	Galvanized load chain - 4x11	Standard	1
7	VT0006274	Stainless steel chain 4x11	Attention : palan déclassé / Be careful : hoist downgraded	1
8	VT0006490	Hook block - 1 fall	Crochet automatique / Automatic hook	1
8	VT0006489	Hook block - 1 fall	Crochet inox / Stainless steel hook	1
8	VT0004928	Hook block - 1 fall	Crochet standard / Standard hook	1
9	VT0004930	Rubber chain stop		1
10	VT0004725	Half casing set		1
11	VT0006346	Set of 10 load plates	250 Kg	1
11	VT0006347	Set of 10 load plates	320 Kg	1
12	VT0006455	Hook assembly	Inox / Sainless steel chain Attention : Palan déclassé / BE CAREFUL : the max load have to be decreased	1
12	VT0004926	Hook assembly	Standard	1
12	VT0006427	Lower hook assembly	Automatique / Automatic 1+2 brins / falls	1
13	VT0004927	Safety latch set	Crochet standard / Standard hook (VT0005901)	1

14	<u>VT0004934</u>	Rubber chain stop - Old model	Attention : Ne pas utiliser en butée intermédiaire sur le brin de chaîne de lavage Be careful : Never use as chain stop side hook	1
14	<u>VT0007576</u>	Rubber chain stop - Since 17/06/2015		1
15	<u>VT0004878</u>	Chain stop		1
16	<u>VT0005573</u>	Chain tool	CHCM-011	1
17	<u>VT0006093</u>	Shaft		1
18	<u>VT0006025</u>	Oil can		1

2.3) Precut chain

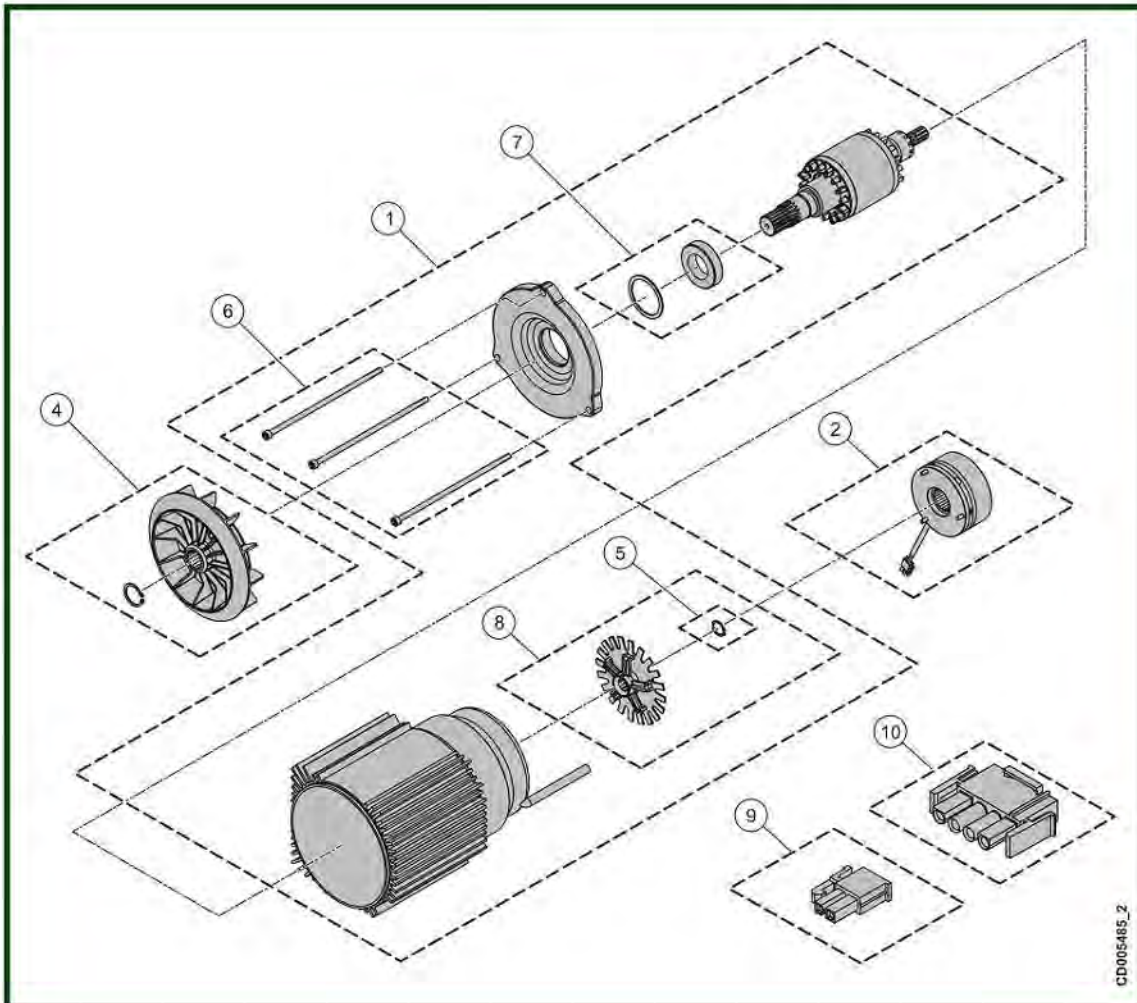
item	reference	description	observation	Quantity
	<u>53020235</u>	Galvanized load chain 4x11	4 m	1
	<u>53020251</u>	Galvanized load chain 4x11	6 m	1
	<u>53020218</u>	Galvanized load chain 5x14	3,5 m	1
	<u>53020220</u>	Galvanized load chain 5x14	5 m	1
	<u>53020221</u>	Galvanized load chain 5x14	10 m	1

3) Gear



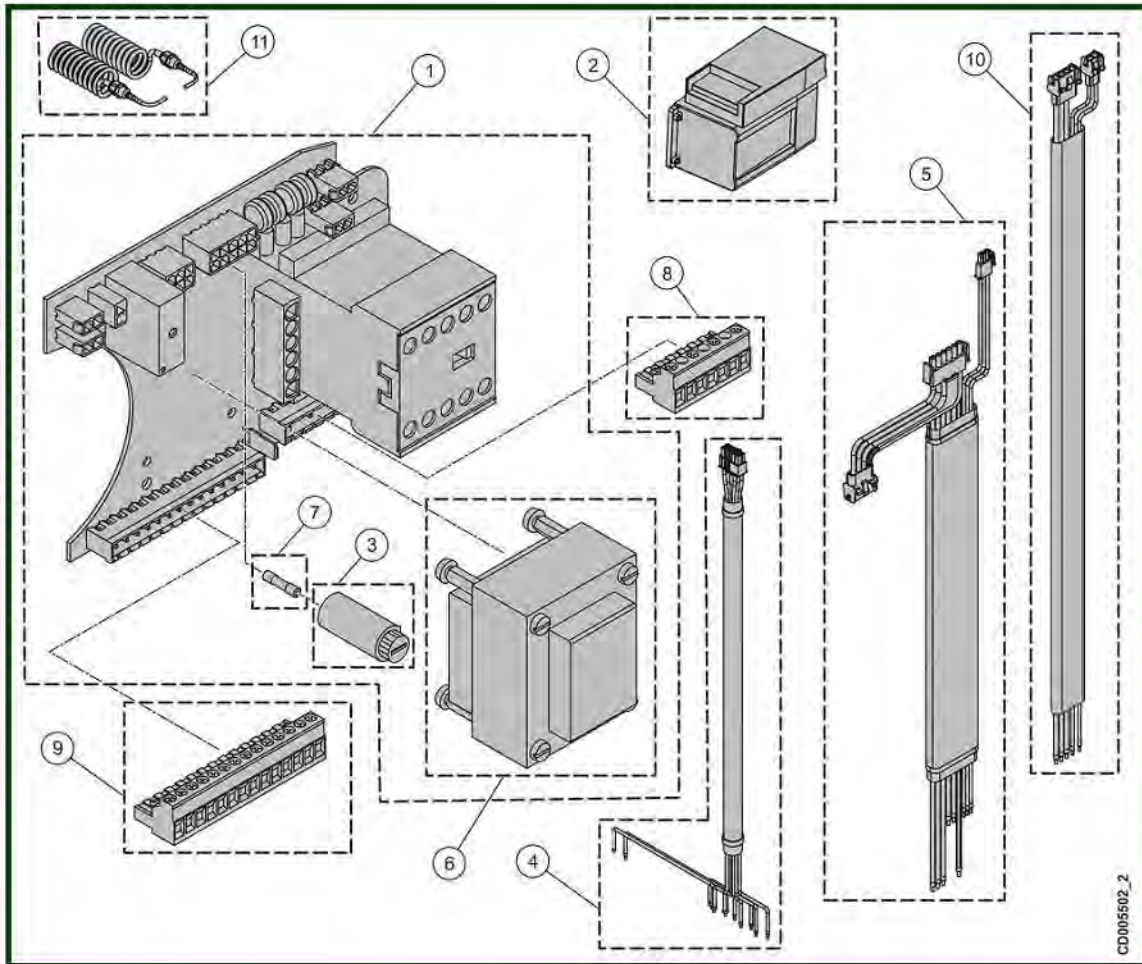
item	reference	description	observation	Quantity
1	VT0006556	Gear assembly	10 m/min	1
1	VT0006557	Gear assembly	20 m/min	1
2	VT0007294	Gear-pinion set	10 m/min	1
2	VT0007295	Gear-pinion set	20 m/min	1
3	VT0007296	Gear shaft with clutch		1
4	VT0004886	Coupling - Side brake		1
5	VT0007293	Clutch + retaining ring		1
6	VT0006107	Screws set		1
7	VT0006560	Frame		1
8	VT0006563	Sealings set		1
9	VT0006565	Speed sensor + Screw		1
10	VT0006561	Load sensor		1
11	VT0006564	Speed sensor + Screw		1
12	VT0006562	Male plug		1
13	VT0004976	Rubber		1

4) Motor



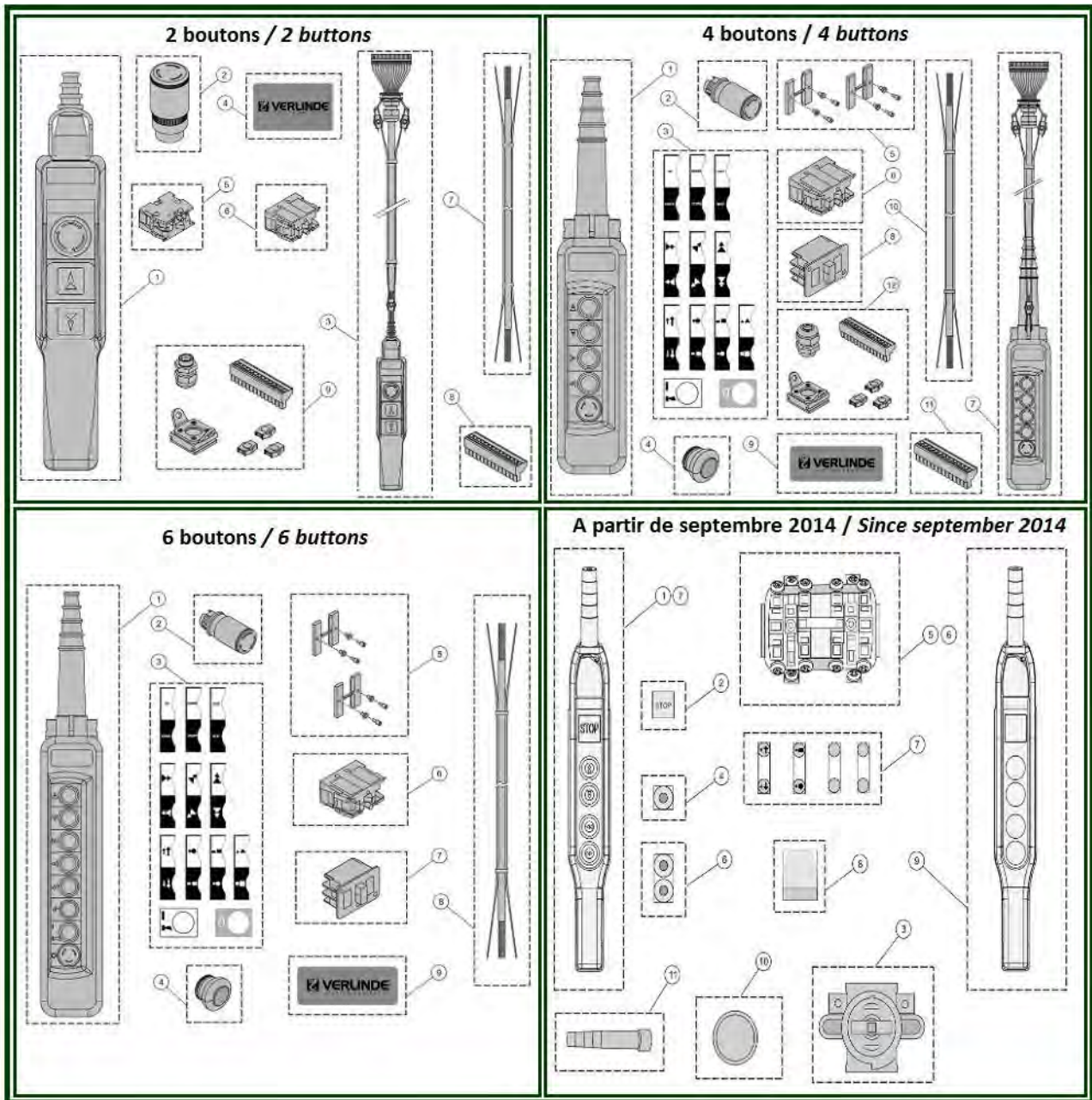
item	reference	description	observation	Quantity
1	VT0006567	Motor	230V / 50-60HZ	1
1	VT0006566	Motor	400V / 50-60HZ	1
2	VT0006259	Double brakes	103-230V	1
2	VT0006258	Double brakes	190-400V	1
2	VT0006475	Double brakes	255-500V	1
2	VT0006476	Double brakes	320-690V	1
2	VT0004661	Single brake	103-230V	1
2	VT0004979	Single brake	190-400V	1
2	VT0006473	Single brake	255-500V	1
2	VT0006474	Single brake	320-690V	1
4	VT0004891	fan set		1
5	VT0004977	Retaining ring		1
6	VT0006485	Screw set	M6x160	1
7	VT0006569	Bearing set		1
8	VT0006568	Encoder disc + retaining ring		1
9	VT0007297	Connector		1
10	VT0007298	Female connector		1

5) Electricals parts

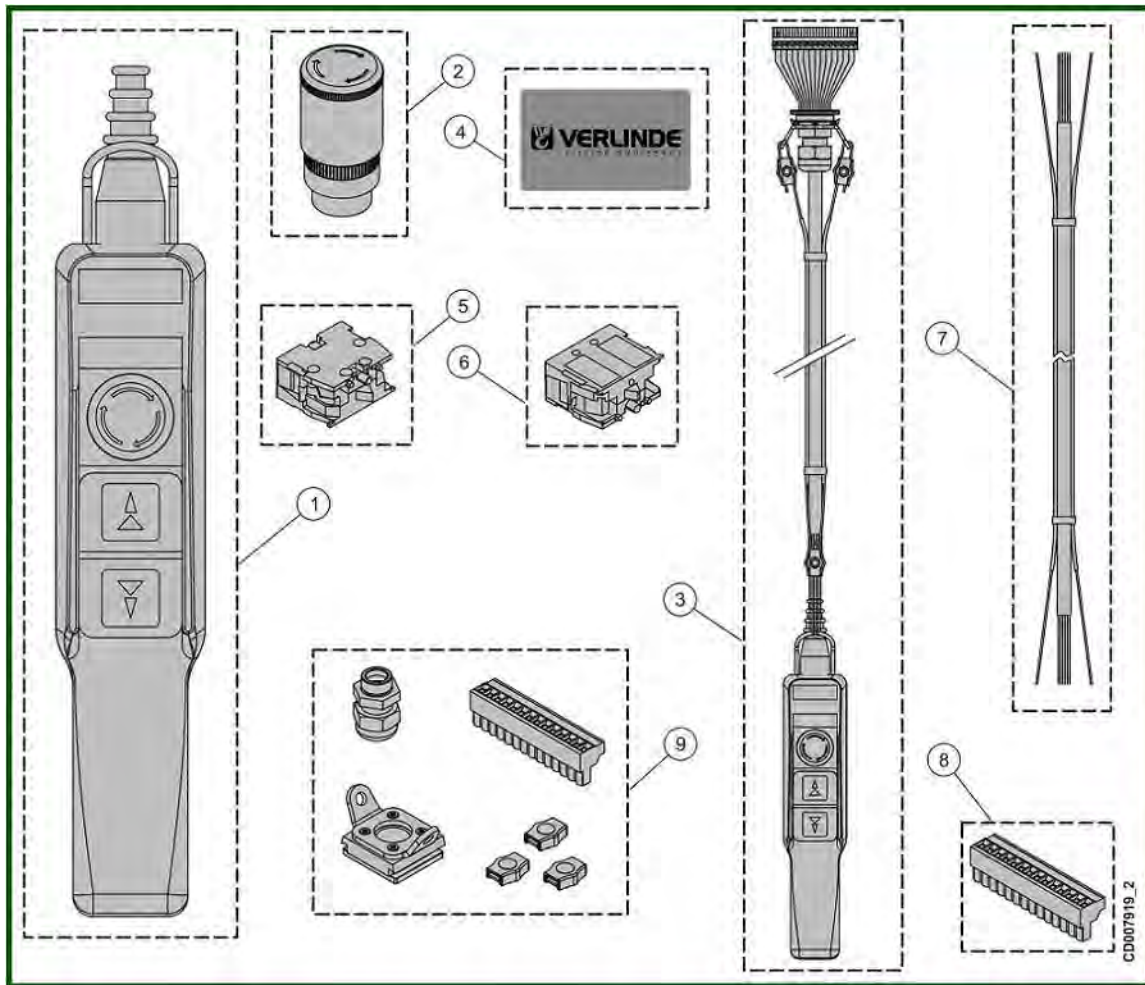


item	reference	description	observation	Quantity
1	VT0007269	Electrical board	380V-415V / 48V - 50/60HZ	1
1	VT0007270	Electrical board	380V-415V / 115V	1
1	VT0007273	Electrical board	460V / 48V	1
1	VT0007274	Electrical board	460V / 110V - 50/60Hz	1
2	VT0007275	Inverter	380V-480V - 50/60Hz	1
3	VT0006191	Fuse base		1
4	VT0007277	Wire harness - Plug control voltage		1
5	VT0006757	Wire harness - Plug power voltage		1
6	VT0004953	Transformer	400V / 48V - 50/60Hz	1
6	VT0004951	Transformer	400V / 115V - 50/60Hz	1
6	VT0006437	Transformer	460V / 48V	1
6	VT0006440	Transformer	460V / 110V 50/60Hz	1
7	VT0004915	Set of 10 fuses	48V	1
7	VT0004955	Set of 10 fuses	115V	1
8	VT0005107	Connector	4P	1
9	VT0005108	Connector	14P	1
10	VT0006758	Linking cable	380-480V 50/60Hz	1
11	VT0007278	Resistor	1200W	1

6) Push button controller

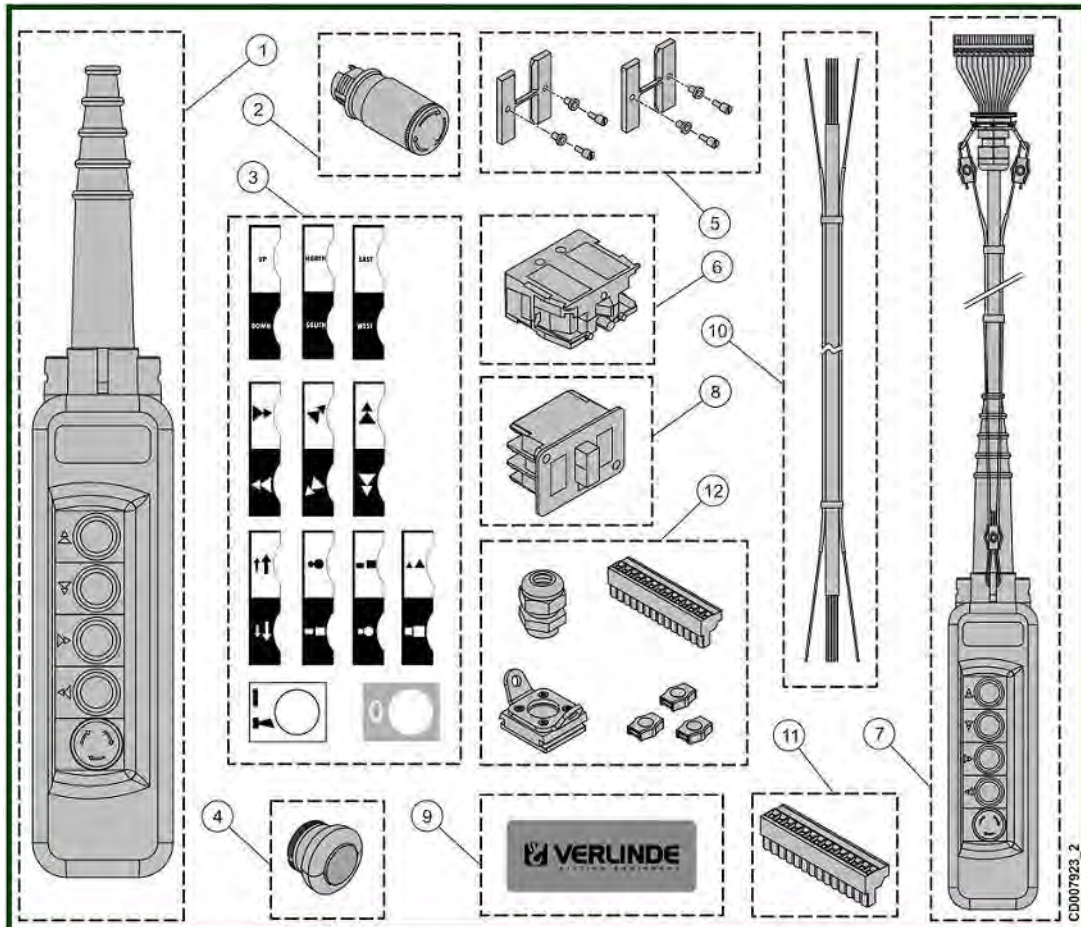


6.1) 2 buttons



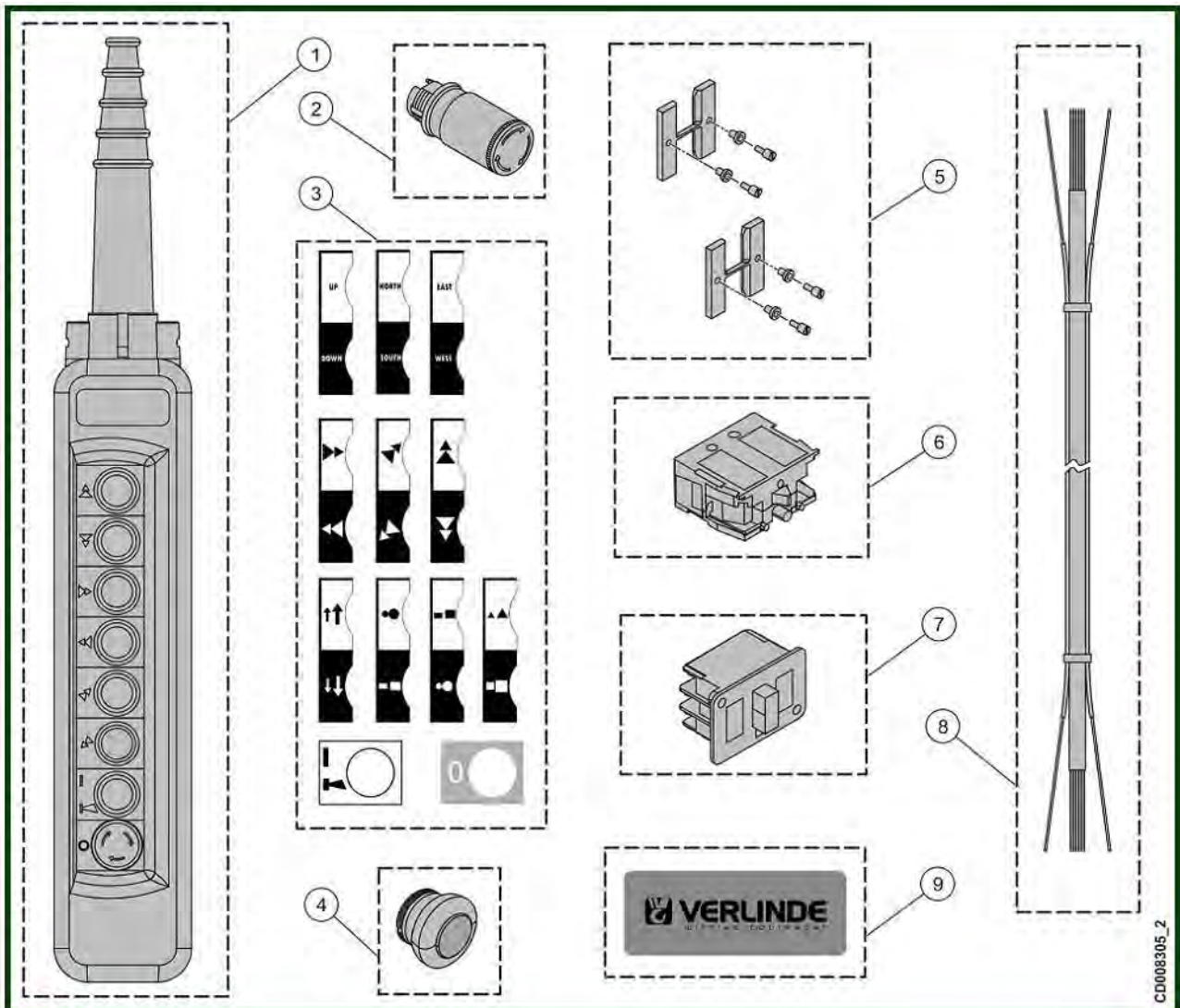
item	reference	description	observation	Quantity
1	VT0005061	Pendant controller - 2HS+ES	Jaune / Yellow	1
2	VT0006547	Emergency push button		1
3	VT0005612	Pendant with cable - 2HS+ES	2,2 m - Jaune / Yellow - CE	1
3	VT0005613	Pendant with cable - 2HS+ES	2,7 m - Jaune / Yellow - CE	1
3	VT0005614	Pendant with cable - 2HS+ES	3,2 m - Jaune / Yellow - CE	1
3	VT0005615	Pendant with cable - 2HS+ES	3,7 m - Jaune / Yellow - CE	1
3	VT0005616	Pendant with cable - 2HS+ES	4,2 m - Jaune / Yellow - CE	1
3	VT0005617	Pendant with cable - 2HS+ES	4,7 m - Jaune / Yellow - CE	1
3	VT0005618	Pendant with cable - 2HS+ES	5,2 m - Jaune / Yellow - CE	1
3	VT0005619	Pendant with cable - 2HS+ES	5,7 m - Jaune / Yellow - CE	1
4	VT0007837	Branding sticker	VERLINDE	1
5	VT0005064	Contact block	ZB2-BE101	1
6	VT0005066	Contact block	ZB2-BE 102	1
7	VT0006746	Cable	5x1,5 mm2 - CE	1
8	VT0005108	Connector	14P	1
9	VT0007583	Pendant plug set	ISO	1

6.2) 4 buttons



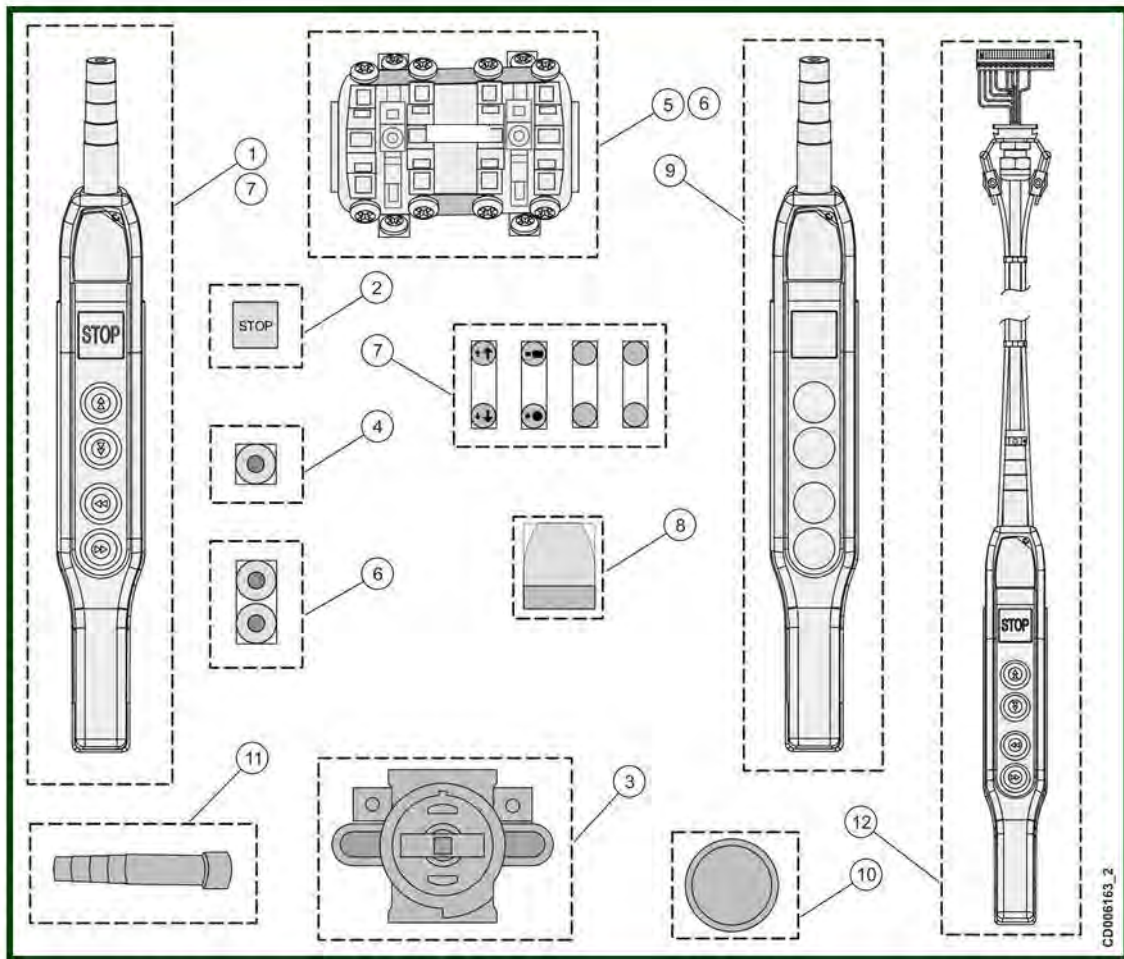
item	reference	description	observation	Quantity
1	<u>VT0005055</u>	Pendant controller 2HS+2TS+ES	Jaune / Yellow	1
2	<u>VT0006548</u>	Emergency push button		1
3	<u>VT0007882</u>	Set of direction symbols		1
4	<u>VT0005063</u>	Push button		1
5	<u>VT0005072</u>	Mechanical interlock		2
6	<u>VT0005066</u>	Contact block	ZB2-BE 102	1
7	<u>VT0006060</u>	Pendant with cable 2HS+2TS+ES	4,7 m - Jaune / Yellow	1
7	<u>VT0006055</u>	Pendant with cable 2HS+2TS+ES	2,2 m - Jaune / Yellow	1
7	<u>VT0006061</u>	Pendant with cable 2HS+2TS+ES	5,2 m - Jaune / Yellow	1
7	<u>VT0006056</u>	Pendant with cable 2HS+2TS+ES	2,7 m - Jaune / Yellow	1
7	<u>VT0006059</u>	Pendant with cable 2HS+2TS+ES	4,2 m - Jaune / Yellow	1
7	<u>VT0006062</u>	Pendant with cable 2HS+2TS+ES	5,7 m - Jaune / Yellow	1
7	<u>VT0006057</u>	Pendant with cable 2HS+2TS+ES	3,2 m - Jaune / Yellow	1
7	<u>VT0006058</u>	Pendant with cable 2HS+2TS+ES	3,7 m - Jaune / Yellow	1
8	<u>VT0007879</u>	Contact block	XENG1191	1
9	<u>VT0007880</u>	Sticker of brand	VERLINDE	1
10	<u>VT0006747</u>	Cable - 8x1,5mm2	mètre / meter	1
11	<u>VT0005108</u>	Connector	14P	1
12	<u>VT0007583</u>	Pendant plug set	ISO	1

6.3) 6 buttons



item	reference	description	observation	Quantity
1	VT0005058	Pendant controller 2HS+2TS+2LS+ON-OFF	Jaune / Yellow	1
2	VT0006548	Emergency push button		1
3	VT0007882	Set of direction symbols		1
4	VT0005063	Push button		1
5	VT0005072	Mechanical interlock		2
6	VT0005066	Contact block	ZB2-BE 102	1
7	VT0007879	Contact block	XENG1191	1
8	VT0008073	Cable	16x1.52mm ² - mètre/metter	1
8	VT0008074	Cable	20x1.5mm ² - mètre/metter	1
9	VT0007880	Sticker of brand	VERLINDE	1
-	VT0005108	Connector	14P	1

6.4) Push button controller - From september 2014

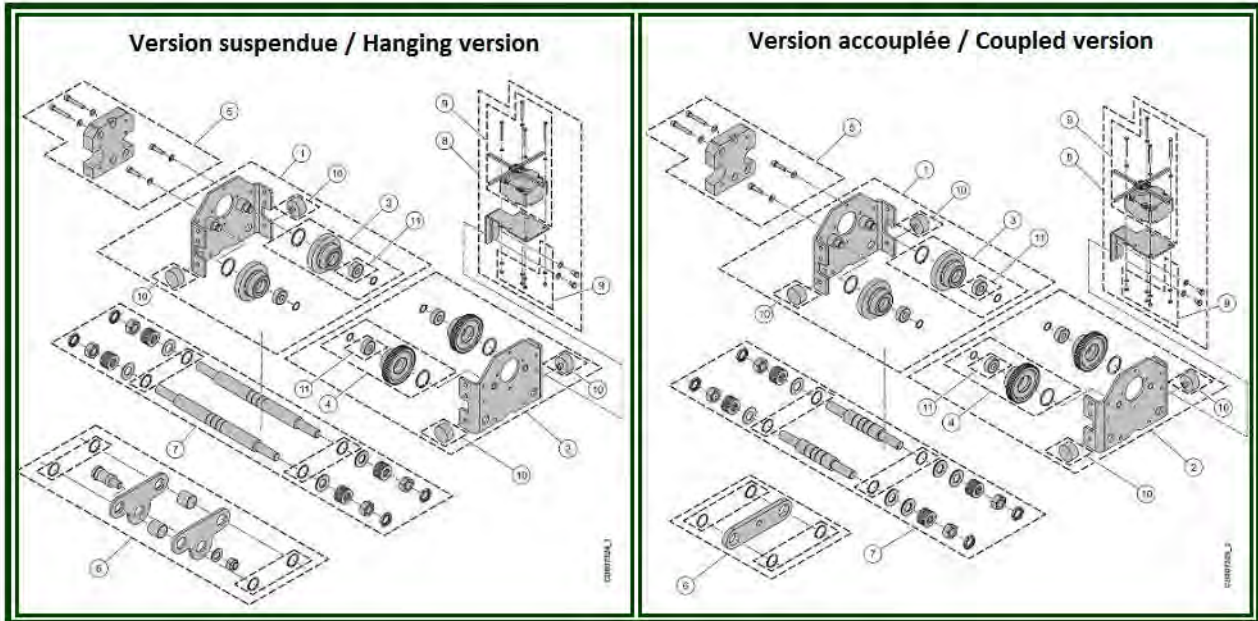


item	reference	description	observation	Quantity
1	VT0006495	Push buttons box - 2 HS+2TS+ES	Jaune - 4 boutons / Yellow - 4 boutons	1
1	VT0006493	Push buttons box - 2 HS+ES	Jaune - 2 boutons / Yellow - 2 boutons	1
2	VT0006509	Emergency push button		1
3	VT0006510	Emergency stop contact block		1
4	VT0006511	Rubber push button		1
5	VT0006513	Contact block	2 vitesses / 2 steps	1
6	VT0006514	Set of 2 push buttons + contact block		1
7	VT0006754	Stickers - Direction symbols	ANSI	1
7	VT0006752	Stickers - Direction symbols	DIN	1
7	VT0006753	Stickers - Direction symbols	FIN-SEN	1
8	VT0006496	Stickers - Brand	VERLINDE	1
9	VT0006515	Pendant housing	Jaune - 2 boutons / Yellow - 2 boutons	1
9	VT0006518	Pendant housing	Jaune - 4 boutons / Yellow - 4 boutons	1
10	VT0006517	Magnet		1
10	VT0006516	Rubber part		1
11	VT0007032	Cable bushing		1
12	VT0006958	Push buttons box + cable + plug - 2 HS+ES	2,20 m - Jaune/yellow - DIN	1
12	VT0006951	Push buttons box + cable + plug - 2 HS+ES	2,70 m - Jaune/yellow - DIN	1
12	VT0006952	Push buttons box + cable + plug - 2 HS+ES	3,20 m - Jaune/yellow - DIN	1
12	VT0006953	Push buttons box + cable + plug - 2 HS+ES	3,70 m - Jaune/yellow - DIN	1
12	VT0006954	Push buttons box + cable + plug - 2 HS+ES	4,20 m - Jaune/yellow - DIN	1
12	VT0006955	Push buttons box + cable + plug - 2 HS+ES	4,70 m - Jaune/yellow - DIN	1
12	VT0006956	Push buttons box + cable + plug - 2 HS+ES	5,20 m - Jaune/yellow - DIN	1
12	VT0006957	Push buttons box + cable + plug - 2 HS+ES	5,70 m - Jaune/yellow - DIN	1

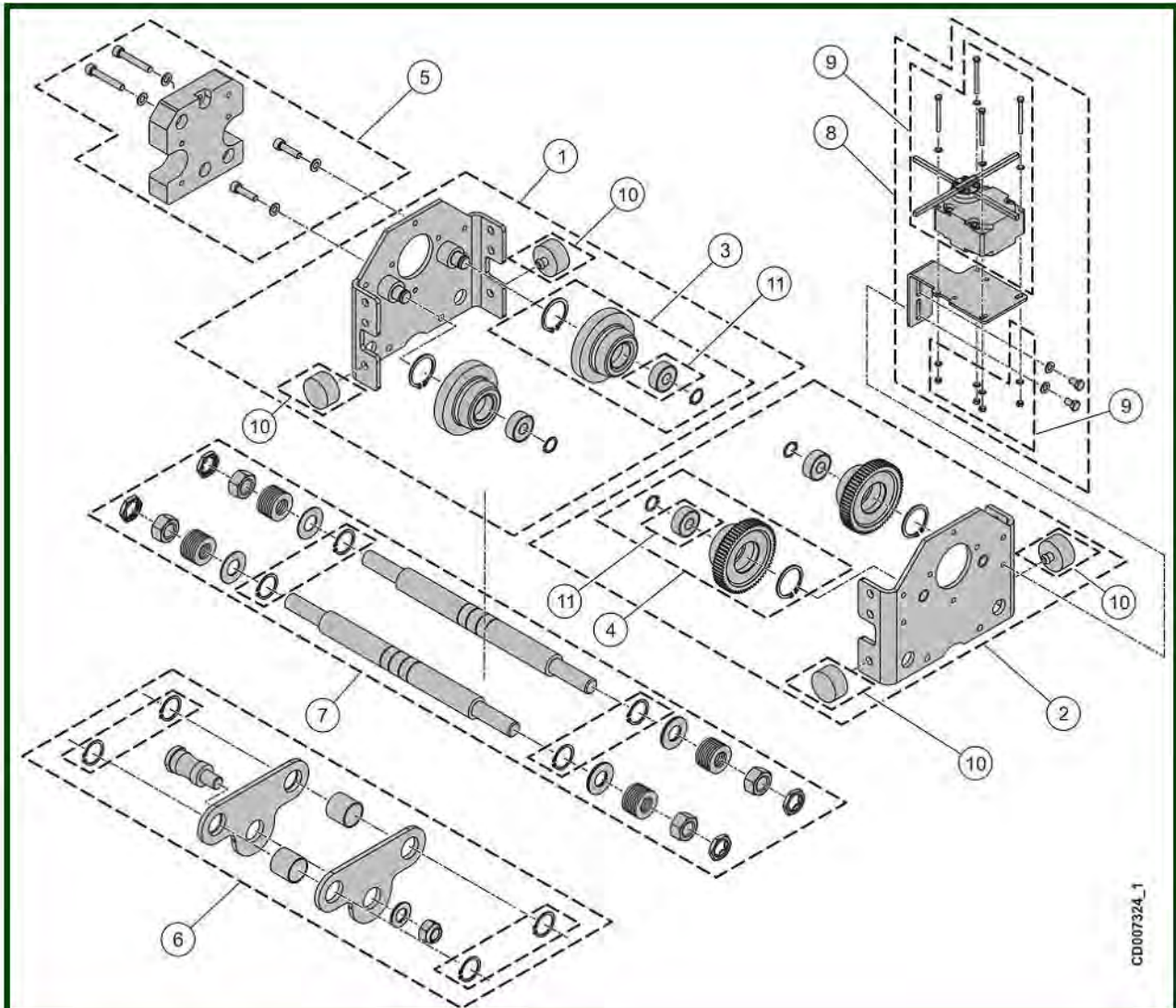
13	<u>VT0006959</u>	Push buttons box + cable + plug - 2 HS+2TS+ES	2,20 m - Jaune/yellow - DIN	1
13	<u>VT0006966</u>	Push buttons box + cable + plug - 2 HS+2TS+ES	2,70 m - Jaune/yellow - DIN	1
13	<u>VT0006960</u>	Push buttons box + cable + plug - 2 HS+2TS+ES	3,20 m - Jaune/yellow - DIN	1
13	<u>VT0006961</u>	Push buttons box + cable + plug - 2 HS+2TS+ES	3,70 m - Jaune/yellow - DIN	1
13	<u>VT0006962</u>	Push buttons box + cable + plug - 2 HS+2TS+ES	4,20 m - Jaune/yellow - DIN	1
13	<u>VT0006963</u>	Push buttons box + cable + plug - 2 HS+2TS+ES	4,70 m - Jaune/yellow - DIN	1
13	<u>VT0006964</u>	Push buttons box + cable + plug - 2 HS+2TS+ES	5,20 m - Jaune/yellow - DIN	1
13	<u>VT0006965</u>	Push buttons box + cable + plug - 2 HS+2TS+ES	5,70 m - Jaune/yellow - DIN	1

7) Normal Headroom Trolley

HPN / NHT

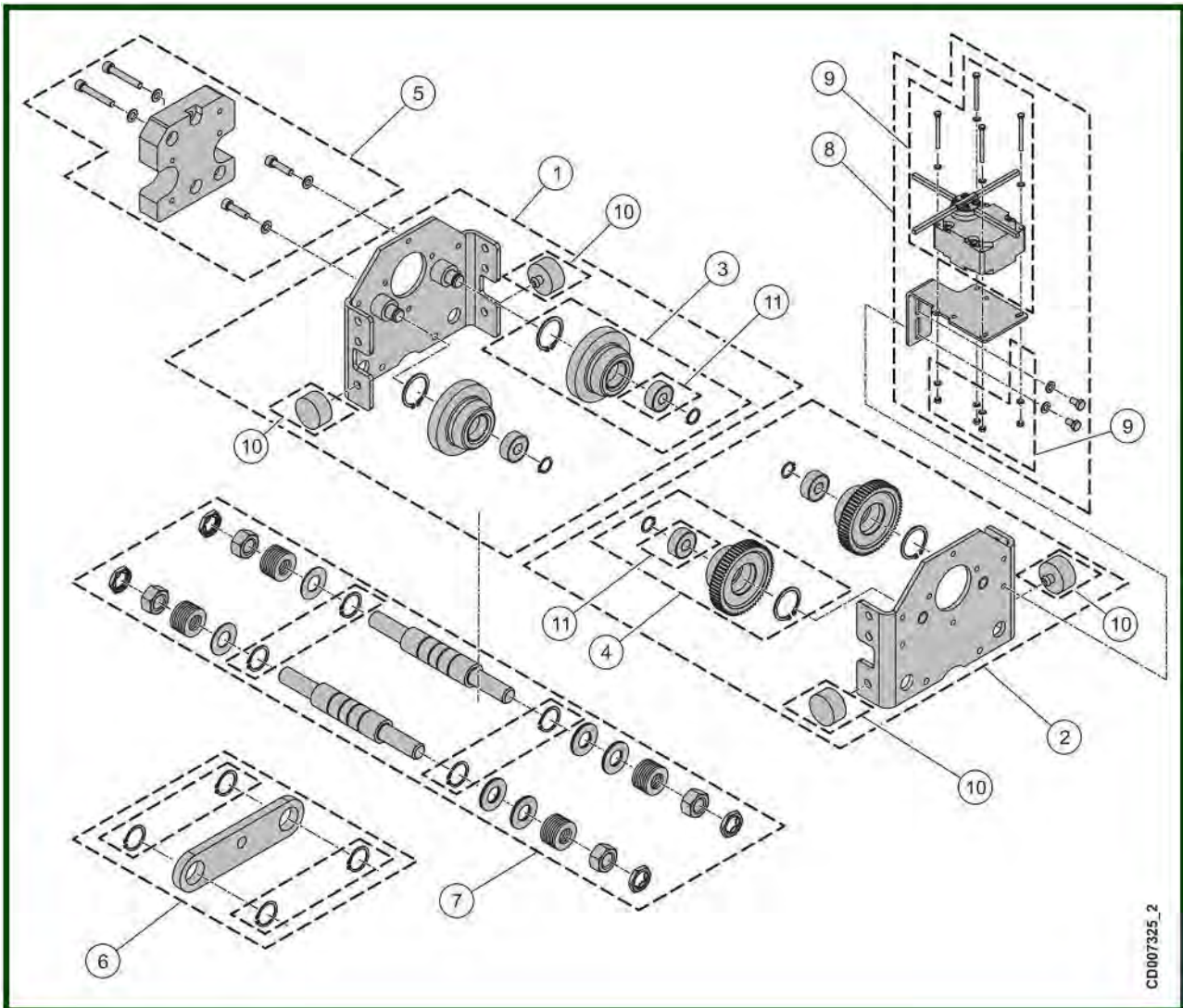


7.1) C1 trolley - 0 to 1000 kg - Hanging version



item	reference	description	observation	Quantity
1	VT0007051	Idler side plate assembly		1
2	VT0007066	Drive side plate assembly		1
3	VT0007061	Complete set of travel wheel without shaft		1
4	VT0007063	Set driving wheel without shaft	Ø 62 - 93 mm	1
5	VT0007062	Set of counterweight		1
6	VT0007064	Coupling part	Version suspendue / Hanging version	1
7	VT0007026	Tie rod set beam - 55 to 100 mm	Tirant monobloc depuis 1999 / Monobloc tie road since 1999 Hook and coupling suspension	1
7	VT0007027	Tie rod set beam - 106 to 150 mm	Tirant monobloc depuis 1999 / Monobloc tie road since 1999 Hook and coupling suspension	1
7	VT0007028	Tie rod set beam - 155 to 200 mm	Tirant monobloc depuis 1999 / Monobloc tie road since 1999 Hook and coupling suspension	1
7	VT0007029	Tie rod set beam - 206 to 248 mm	Tirant monobloc depuis 1999 / Monobloc tie road since 1999 Hook and coupling suspension	1
7	VT0007030	Tie rod set beam - 260 to 307 mm	Tirant monobloc depuis 1999 / Monobloc tie road since 1999 Hook and coupling suspension	1
7	VT0007031	Tie rod set beam - 308 to 310 mm	Tirant monobloc depuis 1999 / Monobloc tie road since 1999 Hook and coupling suspension	1
8	VT0007098	Limit switch - 1 step		1
8	VT0008775	Limit switch - 2 steps		1
9	VT0008776	Travelling limit switch assembly - 1 step		1
9	VT0008777	Travelling limit switch assembly - 2 steps		1
10	VT0009357	Buffer	D40x20 - For C1 to C5 trolley	1
11	VT0007091	Ball Bearing		1

7.2) C1 trolley - 0 to 1000 kg - Coupled version



item	reference	description	observation	Quantity
1	VT0007051	Idler side plate assembly		1
2	VT0007066	Drive side plate assembly		1
3	VT0007061	Complete set of travel wheel without shaft		1
4	VT0007063	Set driving wheel without shaft	Ø 62 - 93 mm	1
5	VT0007062	Set of counterweight		1
6	VT0007065	Cross bar	Version accouplée / Coupled version	1
7	VT0007026	Tie rod set beam - 55 to 100 mm	Tirant monobloc depuis 1999 / Monobloc tie road since 1999 Hook and coupling suspension	1
7	VT0007027	Tie rod set beam - 106 to 150 mm	Tirant monobloc depuis 1999 / Monobloc tie road since 1999 Hook and coupling suspension	1
7	VT0007028	Tie rod set beam - 155 to 200 mm	Tirant monobloc depuis 1999 / Monobloc tie road since 1999 Hook and coupling suspension	1
7	VT0007029	Tie rod set beam - 206 to 248 mm	Tirant monobloc depuis 1999 / Monobloc tie road since 1999 Hook and coupling suspension	1
7	VT0007030	Tie rod set beam - 260 to 307 mm	Tirant monobloc depuis 1999 / Monobloc tie road since 1999 Hook and coupling suspension	1
7	VT0007031	Tie rod set beam - 308 to 310 mm	Tirant monobloc depuis 1999 / Monobloc tie road since 1999 Hook and coupling suspension	1
8	VT0007098	Limit switch - 1 step		1
8	VT0008775	Limit switch - 2 steps		1
9	VT0008776	Travelling limit switch assembly - 1 step		1
9	VT0008777	Travelling limit switch assembly - 2 steps		1
10	VT0009357	Buffer	D40x20 - For C1 to C5 trolley	1
11	VT0007091	Ball Bearing		1