

Spare parts catalog for "VR05 Vario - Phase 2"

To avoid errors, when ordering please specify:

- Complete type of hoist
- Date of manufacture and serial number
- Spare part code
- Spare part designation
- Additional information



1) FRAME

- 1.1) Manual trolley
- 1.2) Electric trolley
- 1.3) Suspension hook

2) CHAIN GUIDE

- 2.1) Chain guide - 1 fall
- 2.2) Chain guide - 2 falls
- 2.3) Precut chain

3) GEAR - SINGLE BRAKE

4) MOTOR

5) ELECTRICAL PARTS

6) PUSH BUTTON CONTROLLER

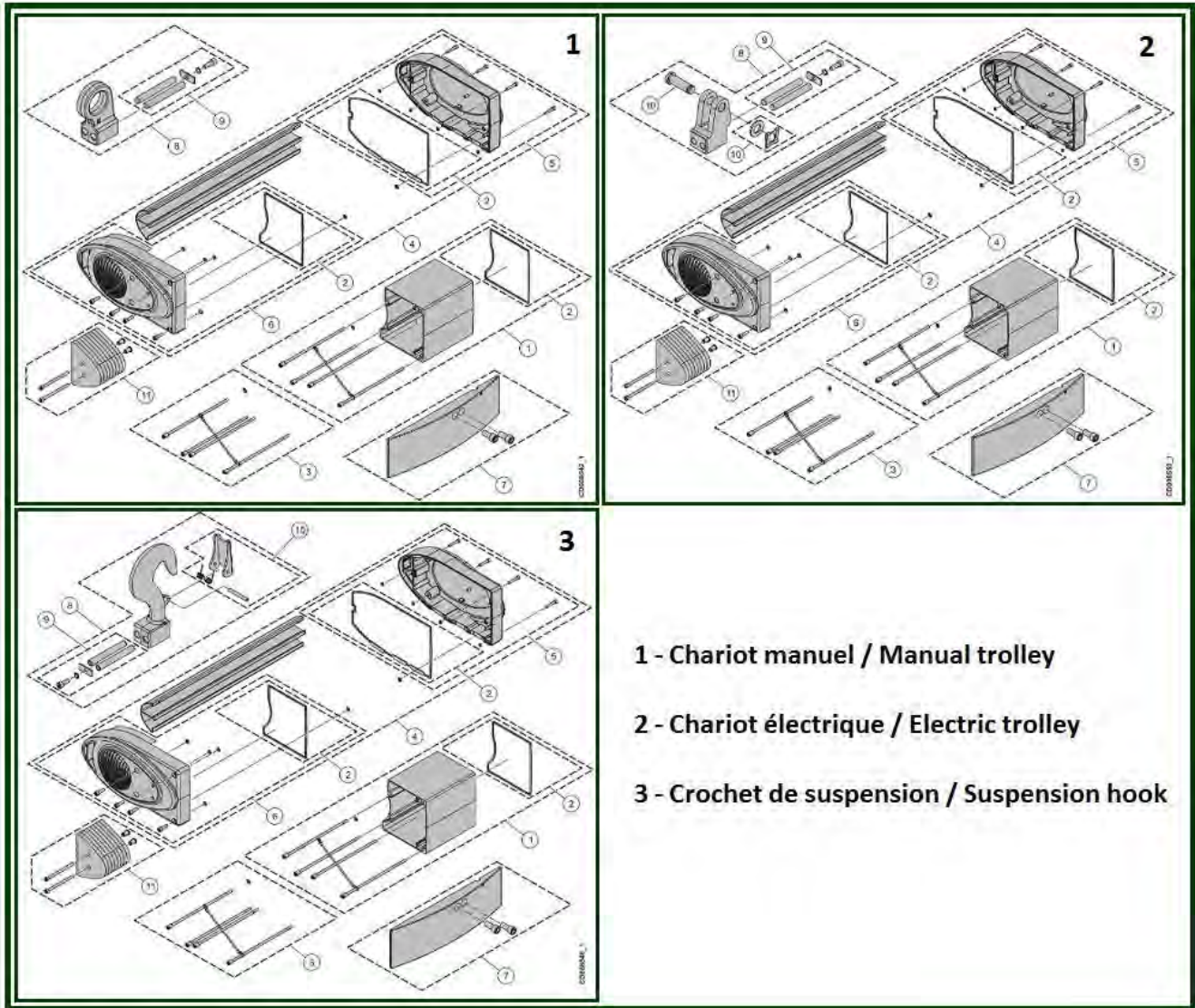
- 6.1) 2 buttons
- 6.2) 4 buttons
- 6.3) 6 buttons

6.4) Push button controller - From september 2014

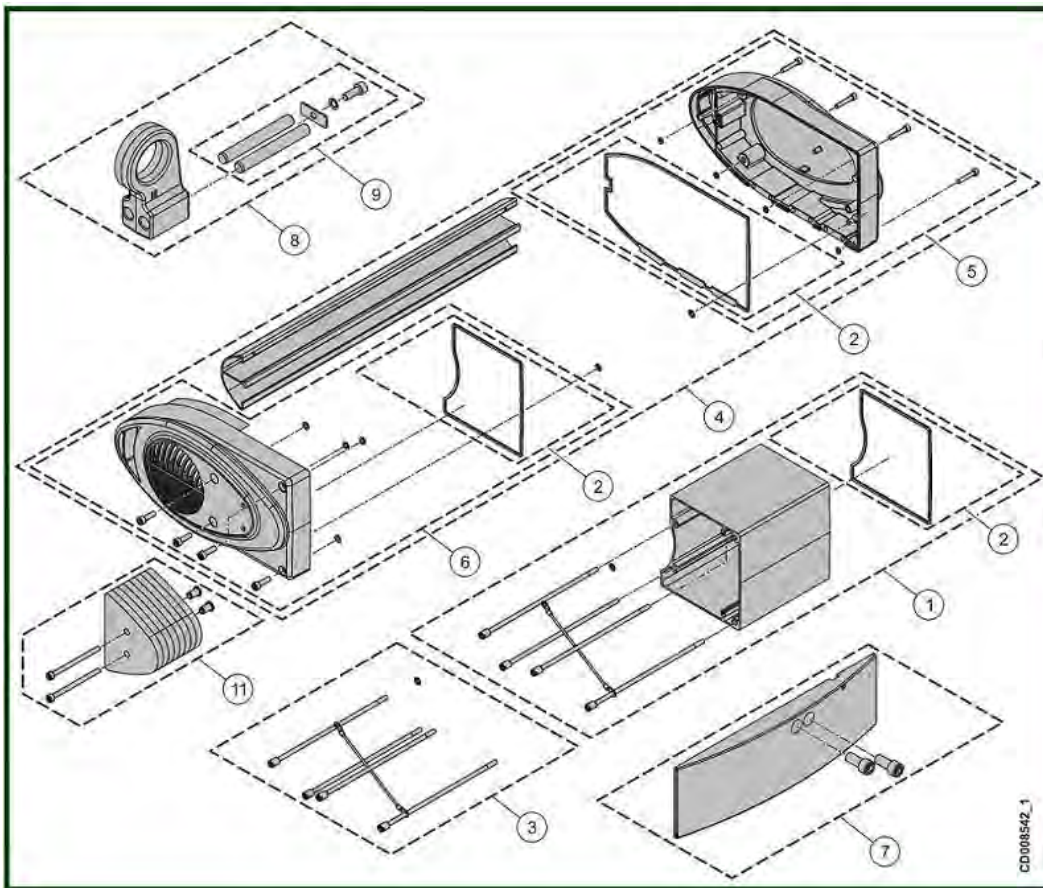
7) NORMAL HEADROOM TROLLEY

- 7.1) C1 trolley - 0 to 1000 kg - Coupled version
- 7.2) C2 trolley - 1001 to 2000 kg - Coupled version

1) Frame

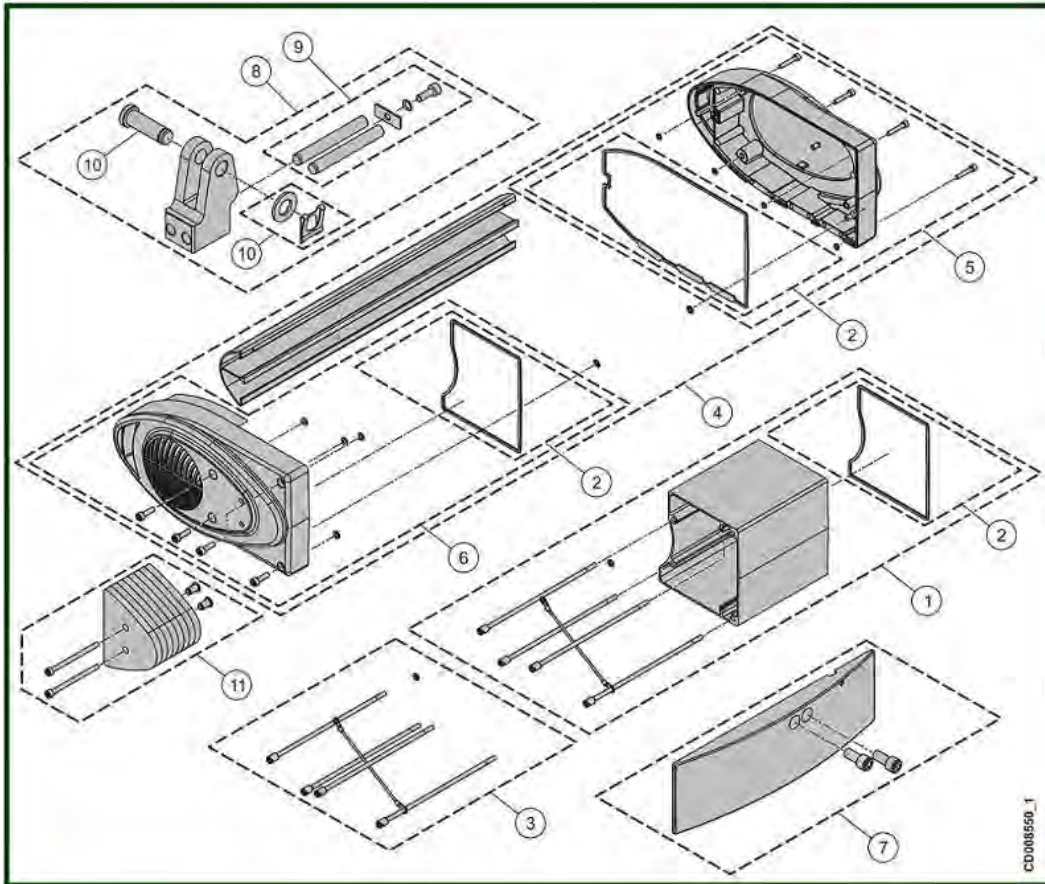


1.1) Manual trolley



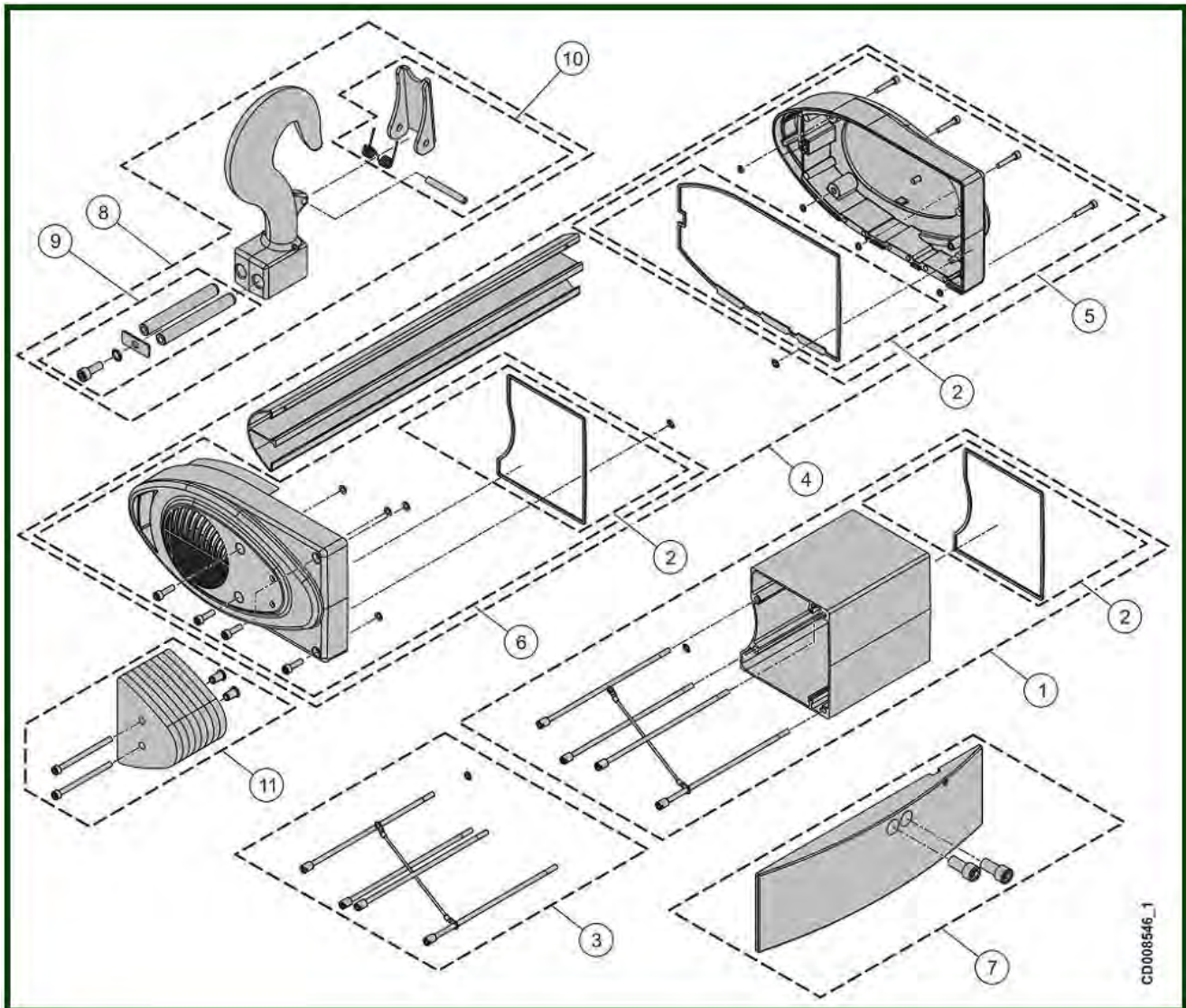
item	reference	description	observation	Quantity
1	VT0008946	Housing module	Fin De Course-Doubles freins Gear Limit Switch-Double brakes	1
1	VT0008398	Housing module	Standard	1
2	VT0009308	Sealings set		1
3	VT0006911	Screws set		1
4	VT0008400	Cover	Fin De Course / Gear Limit Switch	1
4	VT0008399	Cover	Standard	1
5	VT0008401	Cover set - Brake side	Standard + Fin De Course-Double freins Standard + Gear Limit Switch-Double brakes	1
6	VT0008962	Cover set - Motor side	Fin De Course-Double freins Gear Limit Switch-Double brakes	1
6	VT0008402	Cover set - Motor side	Standard	1
7	VT0008403	Counterweight		1
8	VT0008765	Coupling part	Chariot manuel / Manual trolley	1
9	VT0008405	Shaft set		1
	VT0009153	Counterweight set		1
	VT0009152	Counterweight set		1
	VT0006026	Identification plate	Demande de numéro de série /Serial number request	1
	VT0009151	Rain cover	Fin De Course-Doubles freins Gear Limit Switch-Double brakes	1
	VT0008046	Rain cover	Standard	1

1.2) Electric trolley



item	reference	description	observation	Quantity
1	VT0008946	Housing module	Fin De Course-Doubles freins Gear Limit Switch-Double brakes	1
1	VT0008398	Housing module	Standard	1
2	VT0009308	Sealings set		1
3	VT0006911	Screws set		1
4	VT0008400	Cover	Fin De Course / Gear Limit Switch	1
5	VT0008401	Cover set - Brake side	Standard + Fin De Course-Double freins Standard + Gear Limit Switch-Double brakes	1
6	VT0008962	Cover set - Motor side	Fin De Course-Double freins Gear Limit Switch-Double brakes	1
7	VT0008403	Counterweight		1
8	VT0008404	Upper hook		1
9	VT0008405	Shaft set		1
10	VT0005903	Safety latch		1
	VT0009153	Counterweight set		1
	VT0009152	Counterweight set		1
	VT0006026	Identification plate	Demande de numéro de série /Serial number request	1
	VT0009151	Rain cover	Fin De Course-Doubles freins Gear Limit Switch-Double brakes	1
	VT0008406	Rain cover	Standard	1

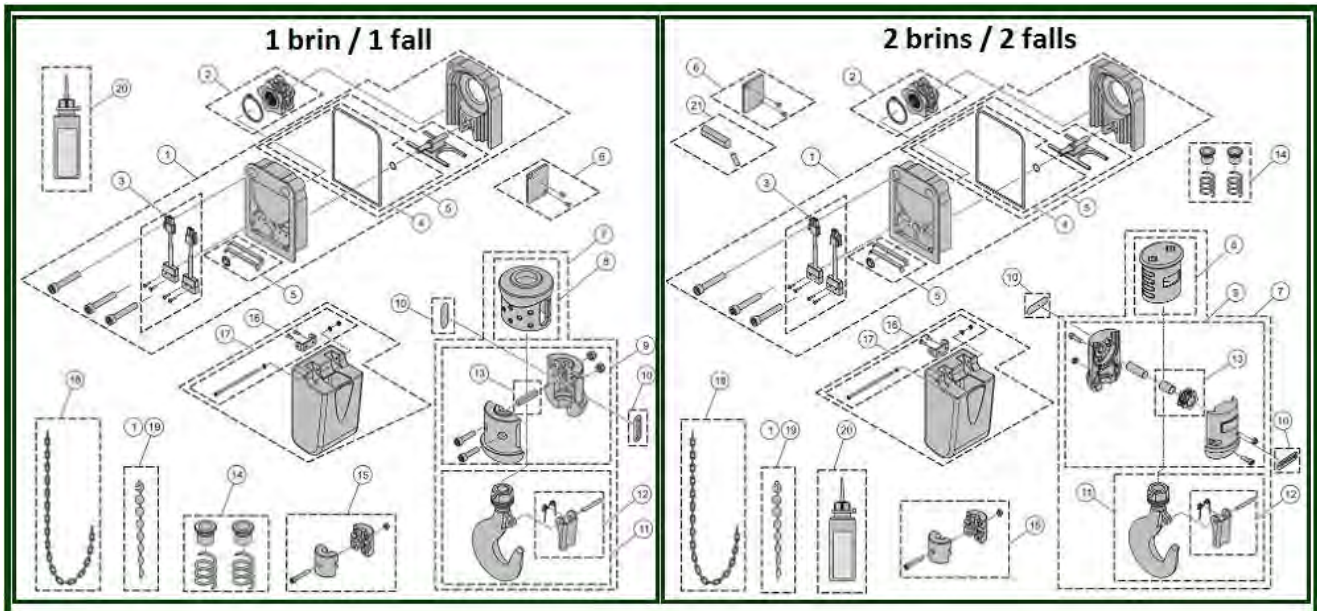
1.3) Suspension hook



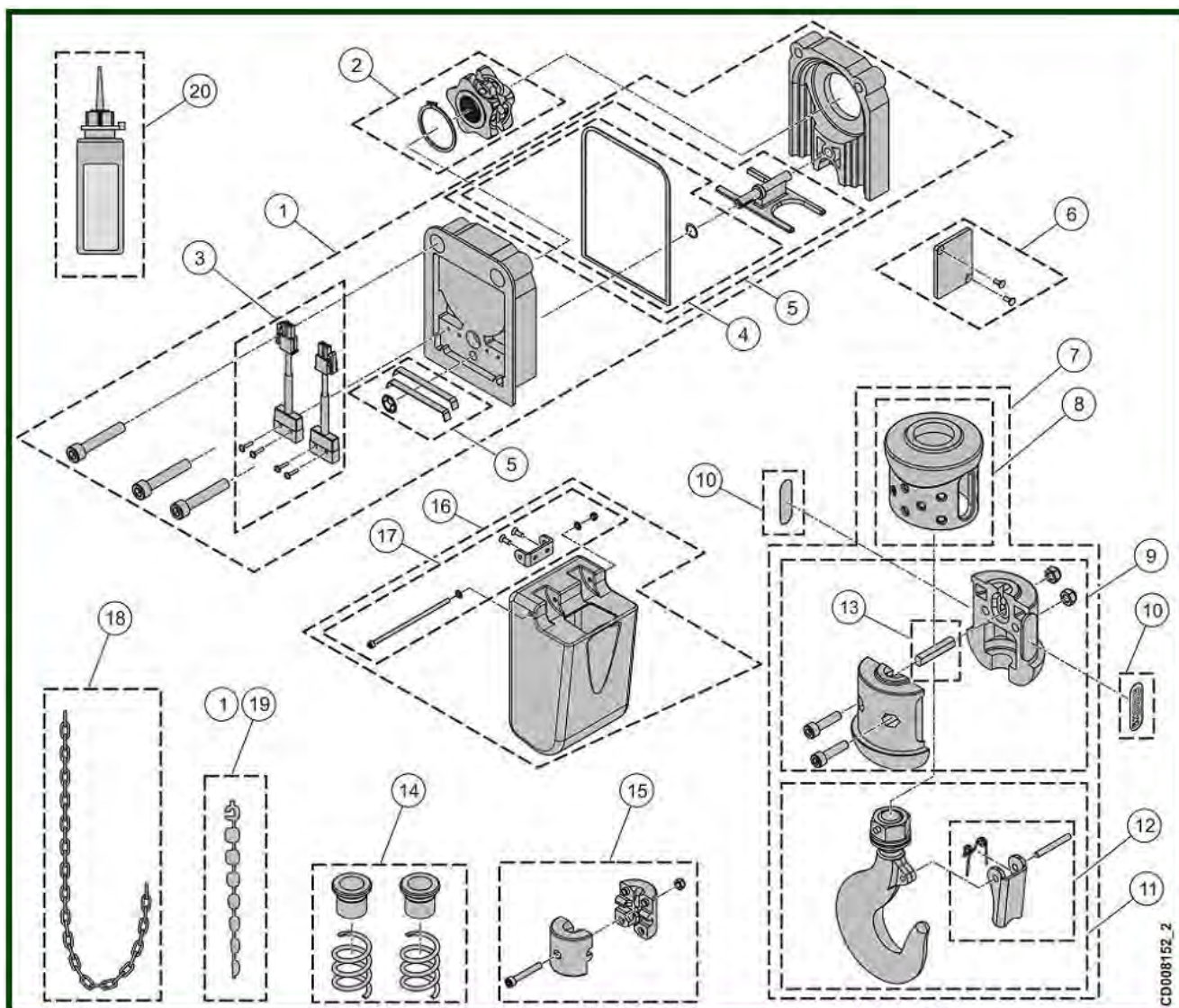
item	reference	description	observation	Quantity
1	VT0008946	Housing module	Fin De Course-Doubles freins Gear Limit Switch-Double brakes	1
1	VT0008398	Housing module	Standard	1
2	VT0009308	Sealings set		1
3	VT0006911	Screws set		1
4	VT0008400	Cover	Fin De Course / Gear Limit Switch	1
4	VT0008399	Cover	Standard	1
5	VT0008401	Cover set - Brake side	Standard + Fin De Course-Double freins Standard + Gear Limit Switch-Double brakes	1
6	VT0008962	Cover set - Motor side	Fin De Course-Double freins Gear Limit Switch-Double brakes	1
6	VT0008402	Cover set - Motor side	Standard	1
7	VT0008403	Counterweight		1
8	VT0008404	Upper hook		1
9	VT0008405	Shaft set		1
10	VT0005903	Safety latch		1

	<u>VT0009152</u>	Counterweight set		1
	<u>VT0009153</u>	Counterweight set		1
	<u>VT0006026</u>	Identification plate	Demande de numéro de série /Serial number request	1
	<u>VT0009151</u>	Rain cover	Fin De Course-Doubles freins Gear Limit Switch-Double brakes	1
	<u>VT0008406</u>	Rain cover	Standard	1

2) Chain guide



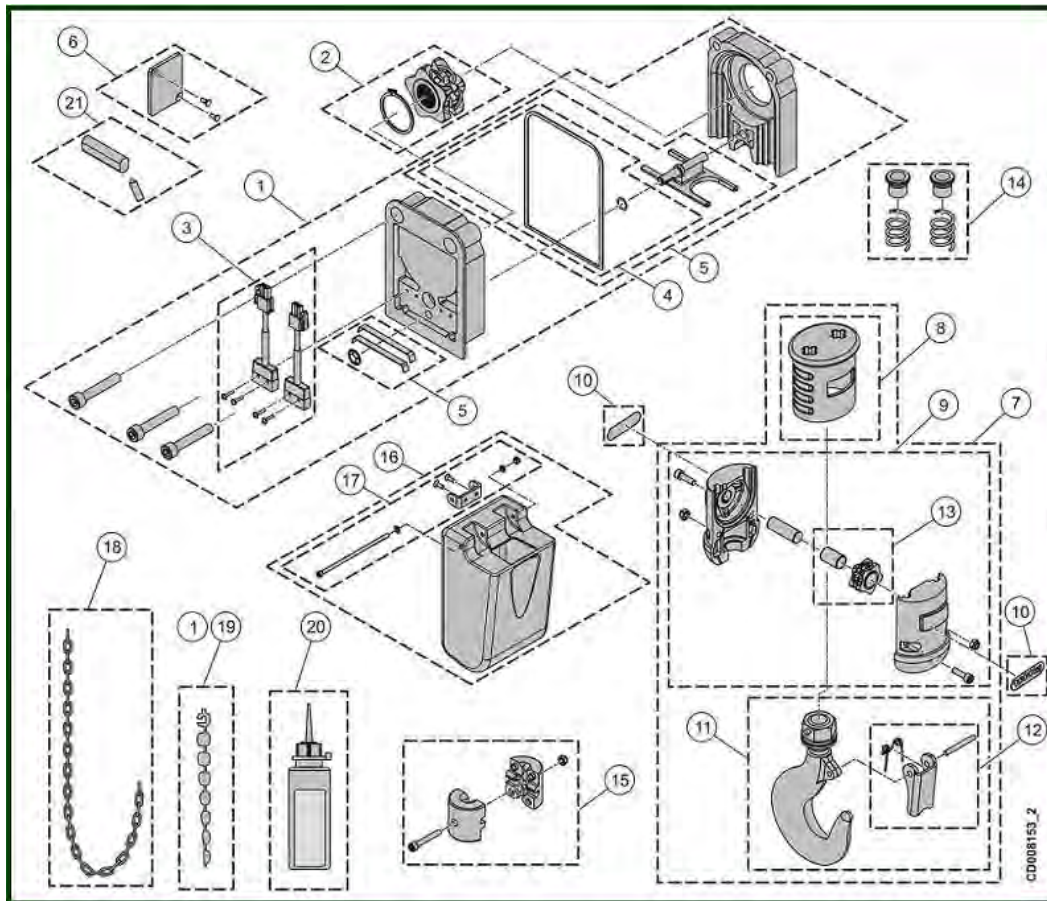
2.1) Chain guide - 1 fall



item	reference	description	observation	Quantity
1	VT0004875	Chain guide - Chain 5x14	Version inversée / Inverted version	1
2	VT0005106	Chain sprocket		1
3	VT0004876	Switch set		1
4	VT0004871	Sealing set		1
5	VT0004872	Limit switch activator		1
6	VT0008483	End cap	Guide-chaîne / Chain guide	1
7	VT0008562	Complete hook - 1 fall	DH-Crochet standard / Standard hook	1
8	VT0008484	Rubber chain stop		1
9	VT0004873	Half casing set	Crochet standard / Standard hook	1
10	VT0006340	Set of 10 stickers load	250 Kg	1
10	VT0006341	Set of 10 stickers load	320 Kg	1
10	VT0006041	Set of 10 stickers load	500 Kg	1
10	VT0006342	Set of 10 stickers load	630 Kg	1
11	VT0004975	Standard hook		1
12	VT0005901	Standard safety latch		1
13	VT0006240	Shaft		1

14	<u>VT0008838</u>	Spring set		1
15	<u>VT0004877</u>	Chain stop		1
16	<u>VT0008832</u>	Chain bucket	6 m pour / for 5x14 10 m pour / for 4x11	1
16	<u>VT0008834</u>	Chain bucket	16 m pour / for 5x14	1
16	<u>VT0008835</u>	Chain bucket	25 m pour / for 5x14 40 m pour / for 4x11	1
17	<u>VT0008833</u>	Fixing set of chain bucket		1
18	<u>VT0005109</u>	Galvanized standard chain - 5x14		1
19	<u>VT0005574</u>	Chain fitting tool		1
20	<u>VT0006025</u>	Oil cane	CCGCCHCM-01	1

2.2) Chain guide - 2 falls



item	reference	description	observation	Quantity
1	VT0004875	Chain guide - Chain 5x14	Version inversée / Inverted version	1
2	VT0005106	Chain sprocket		1
3	VT0004876	Switch set		1
4	VT0004871	Sealing set		1
5	VT0004872	Limit switch activator		1
6	VT0008483	End cap	Guide-chaîne / Chain guide	1
7	VT0008567	Complete hook - 2 falls	RSN05 Crochet standard+ moufle standard Standard hook + Standard hook block	1
8	VT0008568	Rubber chain stop		1
9	VT0008624	Half casing set	Crochet standard+ moufle standard Standard hook + Standard hook block	1
10	VT0008944	Set of 10 stickers load - Hoist	500 Kg	1
10	VT0008945	Set of 10 stickers load - Hoist	1000 Kg	1
11	VT0005861	Standard hook		1
12	VT0005903	Safety latch		1
13	VT0008659	Return sprocket		1
14	VT0008838	Spring set		1
16	VT0008832	Chain bucket	6 m pour / for 5x14 10 m pour / for 4x11	1
16	VT0008834	Chain bucket	16 m pour / for 5x14	1
16	VT0008835	Chain bucket	25 m pour / for 5x14 40 m pour / for 4x11	1
17	VT0008833	Fixing set of chain bucket		1

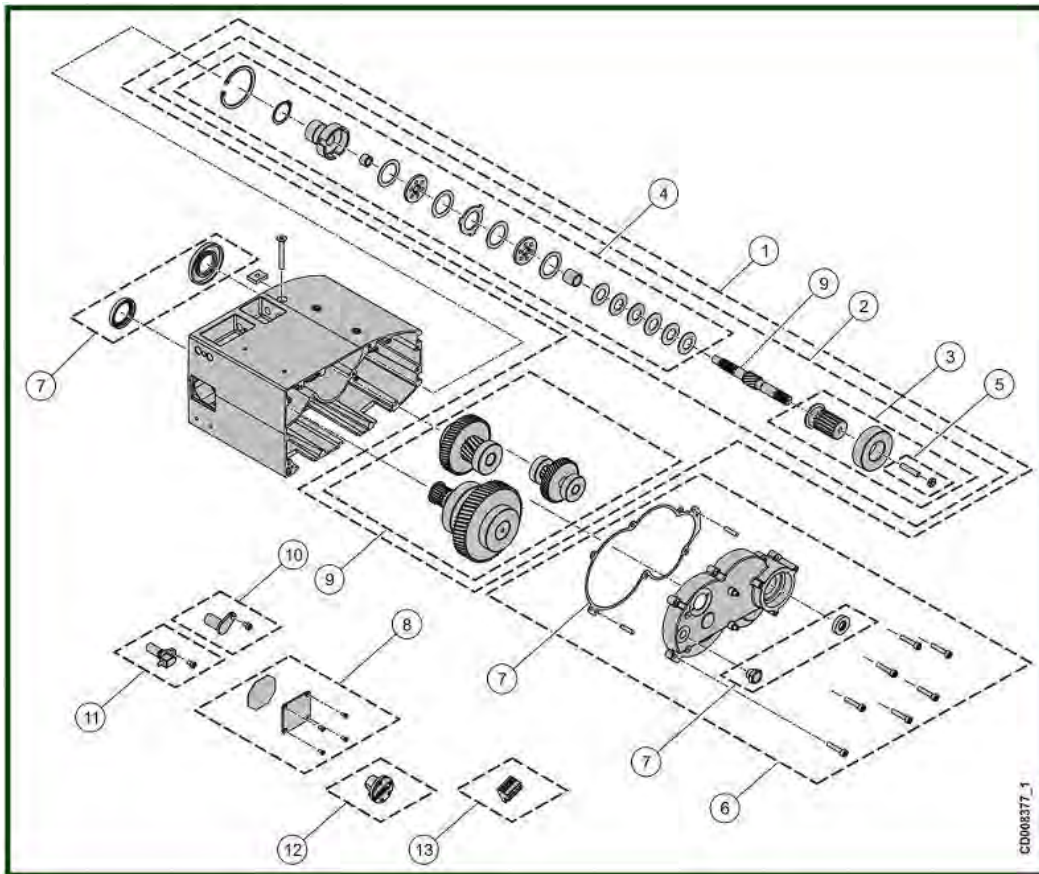
18	<u>VT0005109</u>	Galvanized standard chain - 5x14		1
19	<u>VT0005574</u>	Chain fitting tool		1
20	<u>VT0006025</u>	Oil cane	CCGCCHCM-01	1
21	<u>VT0008662</u>	Fixing module		1

2.3) Precut chain

item	reference	description	observation	Quantity
	<u>53020218</u>	Galvanized load chain 5x14	3,5 m	1
	<u>53020220</u>	Galvanized load chain 5x14	5 m	1
	<u>53020221</u>	Galvanized load chain 5x14	10 m	1

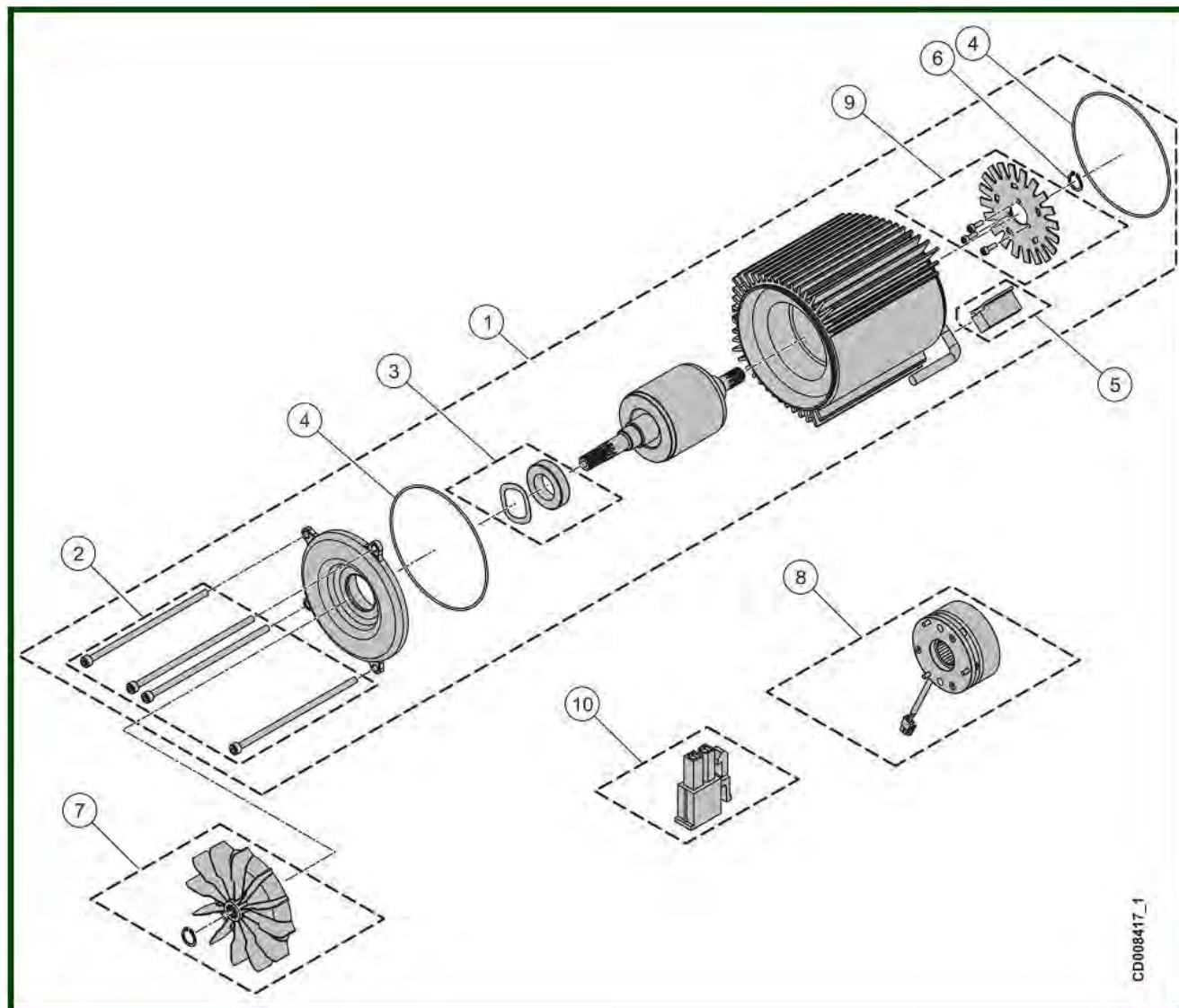
3) Gear - Single brake

Double freins / Double brakes - NOT POSSIBLE



item	reference	description	observation	Quantity
1	VT0008677	Gear pinion set	8m/min	1
1	VT0008678	Gear pinion set	10m/min	1
2	VT0008673	Gear shaft with clutch	VR5F Vario : 10m/min+20m/min-Simple frein/Single brake VR5F Standard+VR05F GLS : 8m/min+10m/min- Simple frein/Single brake VR5F Monophasé/Single phase : 8m/min-Simple frein/Single brake	1
3	VT0004886	Coupling - Side brake		1
4	VT0008672	Clutch with retaining ring		1
5	VT0006107	Screws set		1
6	VT0009408	Gear Housing set		1
7	VT0009325	Sealing set		1
8	VT0008993	Cap		1
9	VT0006559	Gear assembly	20m/min	1
9	VT0006558	Gear assembly	10m/min	1
10	VT0007754	Encoder	Vitesse moteur / Motor speed	1
11	VT0007755	Encoder	Vitesse arbre GV / Shaft speed	1
12	VT0006561	Load sensor		1
13	VT0006562	Male plug		1

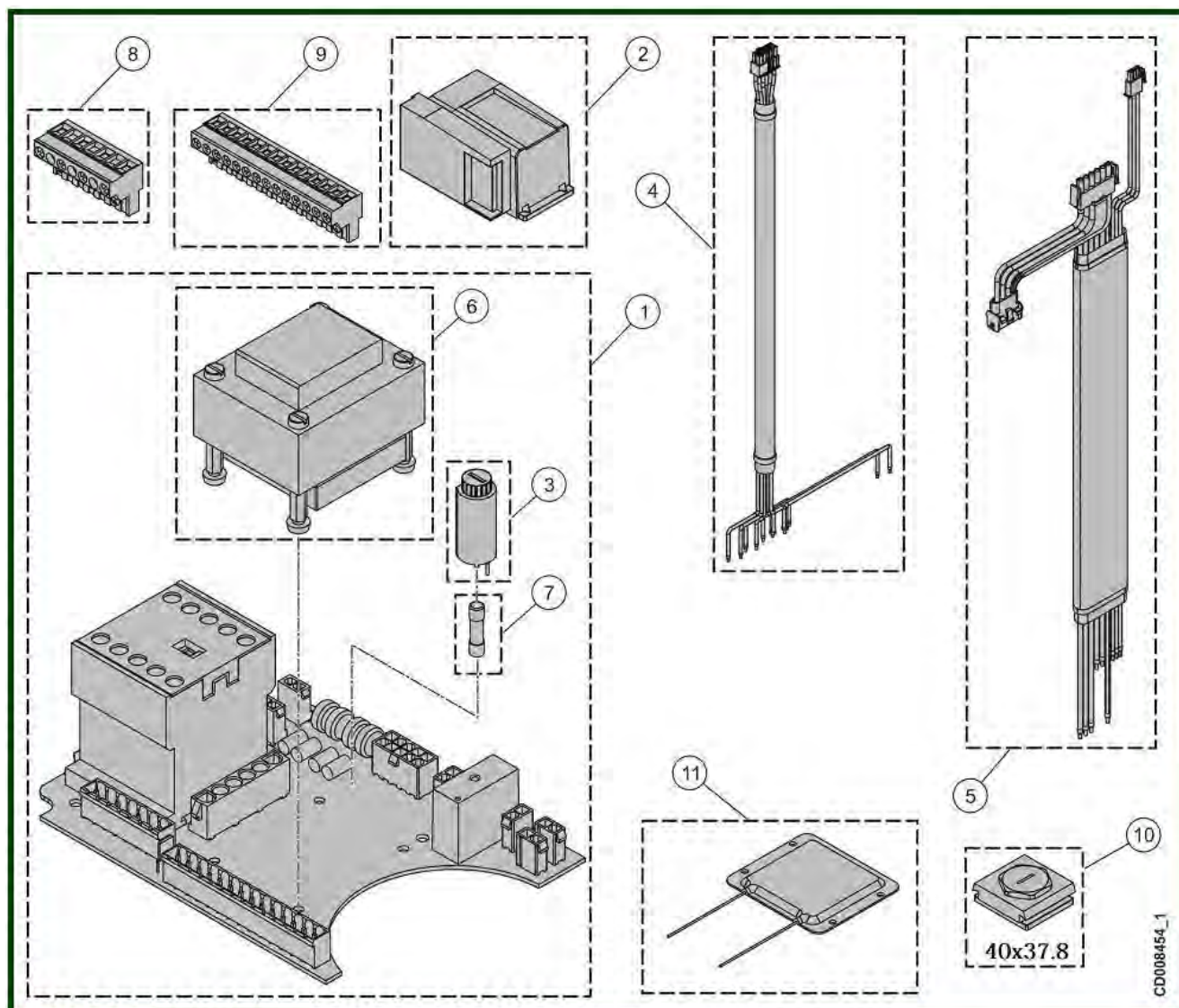
4) Motor



CD008417_1

item	reference	description	observation	Quantity
1	VT0008994	Motor	380-415V:50Hz	1
2	VT0008704	Screws set		1
3	VT0006569	Bearing set		1
4	VT0008705	Sealings set		1
5	VT0004976	Rubber		1
6	VT0004977	Retaining ring		1
7	VT0004891	fan set		1
8	VT0004979	Single brake	190-400V	1
9	VT0009073	Encoder wheel set	20 pts	1
10	VT0007297	Connector		1

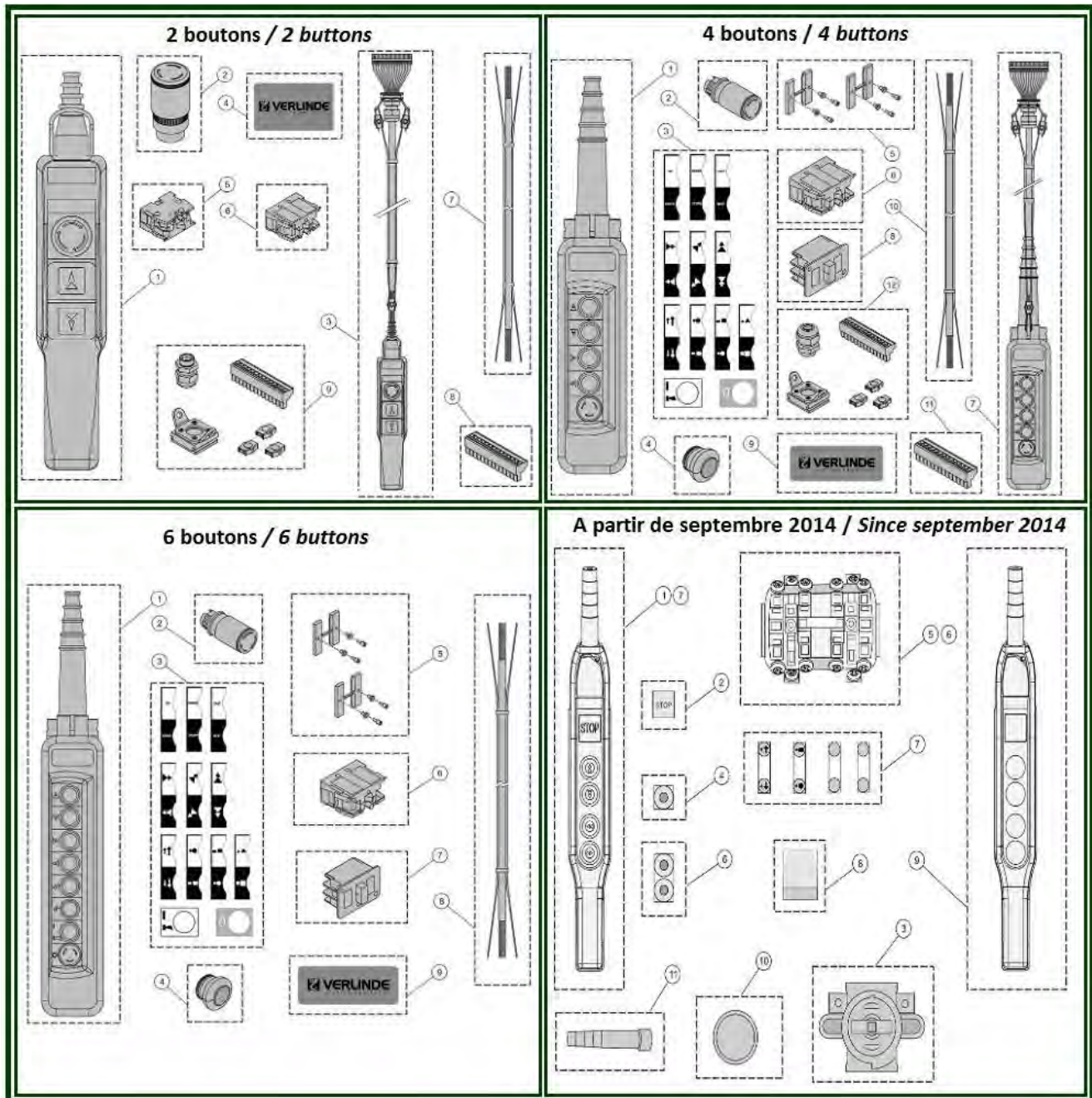
5) Electrical parts



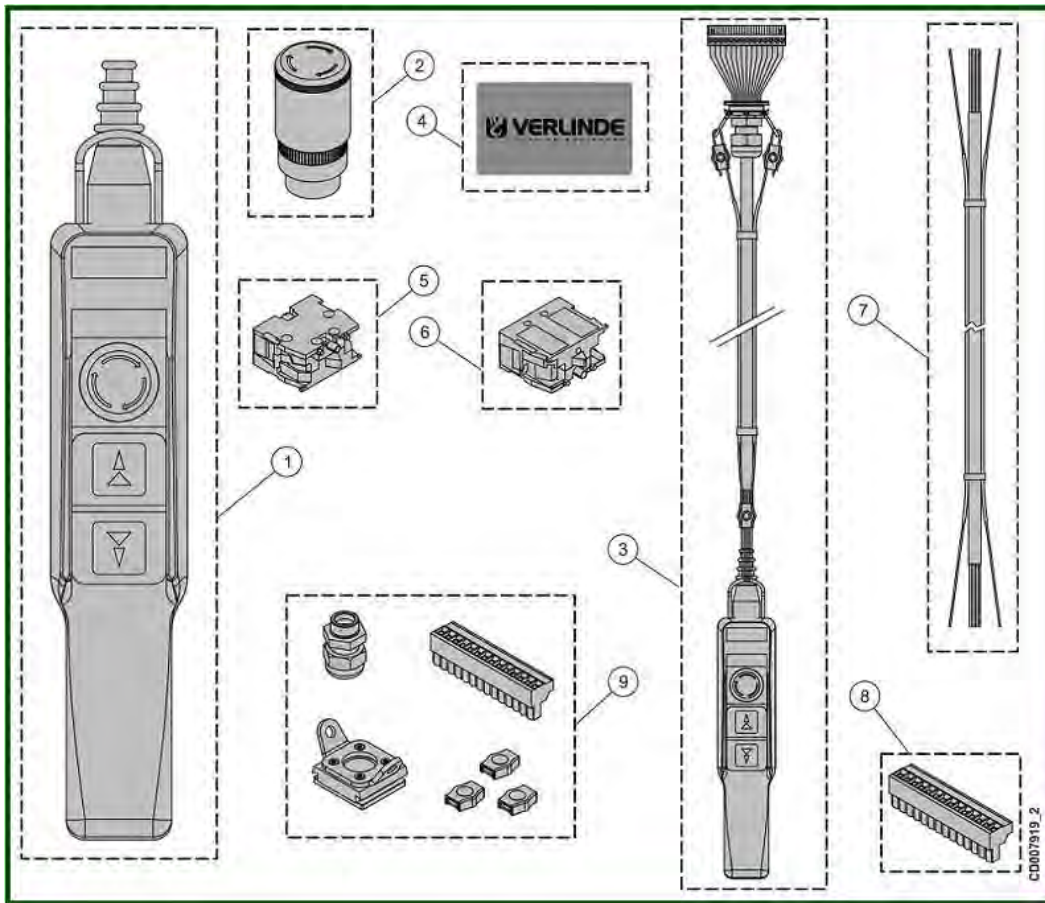
item	reference	description	observation	Quantity
1	VT0007269	Electrical board	380V-415V / 48V - 50/60HZ	1
1	VT0007270	Electrical board	380V-415V / 115V	1
1	VT0007273	Electrical board	460V / 48V	1
1	VT0007274	Electrical board	460V / 110V - 50/60Hz	1
2	VT0007276	Inverter	208V-240V / 50/60Hz	1
2	VT0007275	Inverter	380V-480V - 50/60Hz	1
3	VT0006191	Fuse base		1
4	VT0007277	Wire harness - Plug control voltage		1
5	VT0006757	Wire harness - Plug power voltage		1
6	VT0004953	Transformer	400V / 48V - 50/60Hz	1
6	VT0004951	Transformer	400V / 115V - 50/60Hz	1
6	VT0006437	Transformer	460V / 48V	1
6	VT0006440	Transformer	460V / 110V 50/60Hz	1
7	VT0004915	Fuse set	48V	1
7	VT0004955	Fuse set	115V	1

8	<u>VT0005107</u>	Connector	4P	1
9	<u>VT0005108</u>	Connector	14P	1
10	<u>VT0006089</u>	End cap - Square cable entry		1
11	<u>VT0009081</u>	Resistor		1

6) Push button controller

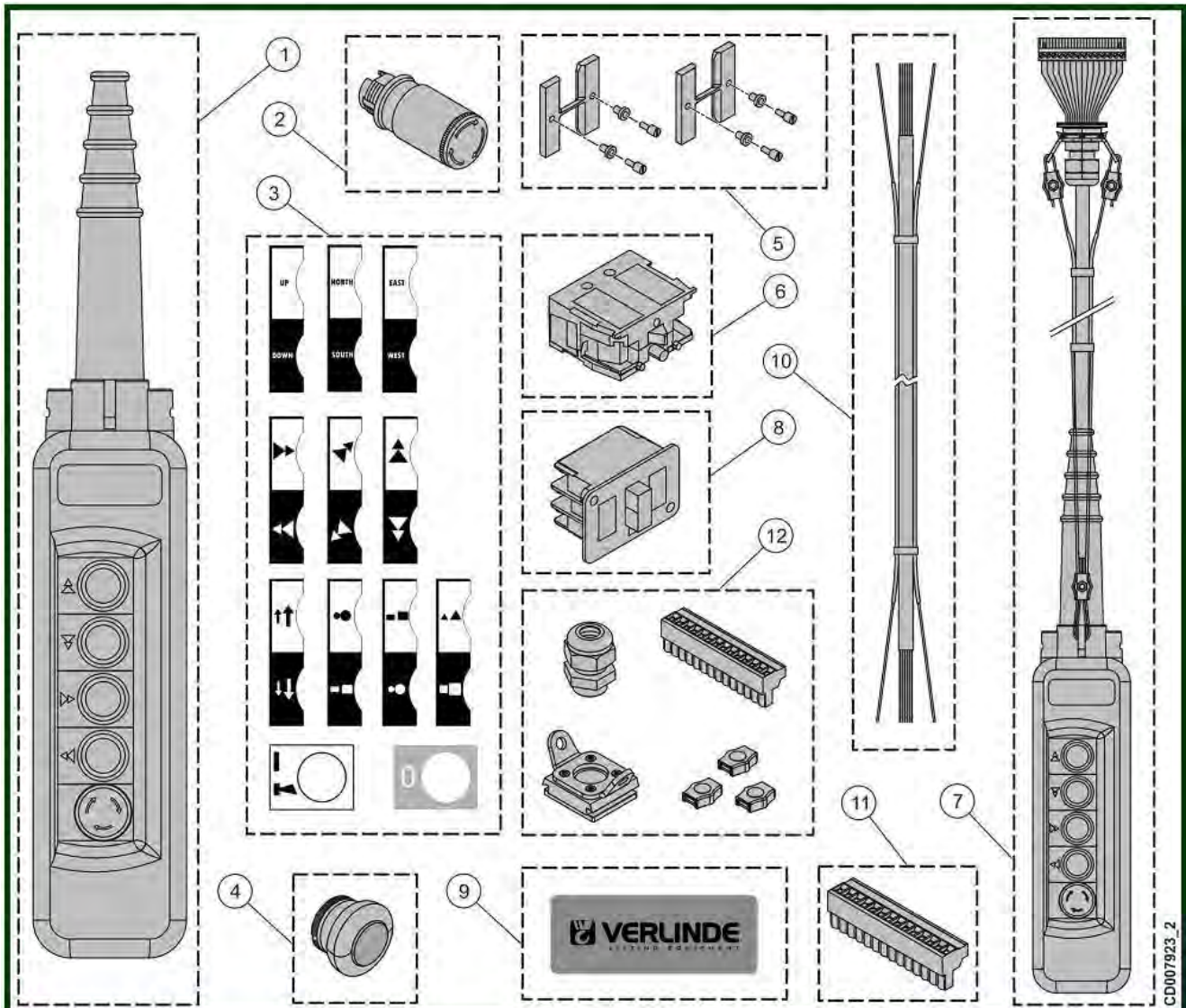


6.1) 2 buttons



item	reference	description	observation	Quantity
1	VT0005061	Pendant controller - 2HS+ES	Jaune / Yellow	1
2	VT0006547	Emergency push button		1
3	VT0005612	Pendant with cable - 2HS+ES	2,2 m - Jaune / Yellow - CE	1
3	VT0005613	Pendant with cable - 2HS+ES	2,7 m - Jaune / Yellow - CE	1
3	VT0005614	Pendant with cable - 2HS+ES	3,2 m - Jaune / Yellow - CE	1
3	VT0005615	Pendant with cable - 2HS+ES	3,7 m - Jaune / Yellow - CE	1
3	VT0005616	Pendant with cable - 2HS+ES	4,2 m - Jaune / Yellow - CE	1
3	VT0005617	Pendant with cable - 2HS+ES	4,7 m - Jaune / Yellow - CE	1
3	VT0005618	Pendant with cable - 2HS+ES	5,2 m - Jaune / Yellow - CE	1
3	VT0005619	Pendant with cable - 2HS+ES	5,7 m - Jaune / Yellow - CE	1
4	VT0007837	Branding sticker	VERLINDE	1
5	VT0005064	Contact block	ZB2-BE101	1
6	VT0005066	Contact block	ZB2-BE 102	1
7	VT0006746	Cable	5x1,5 mm2 - CE	1
8	VT0005108	Connector	14P	1
9	VT0007583	Pendant plug set	ISO	1

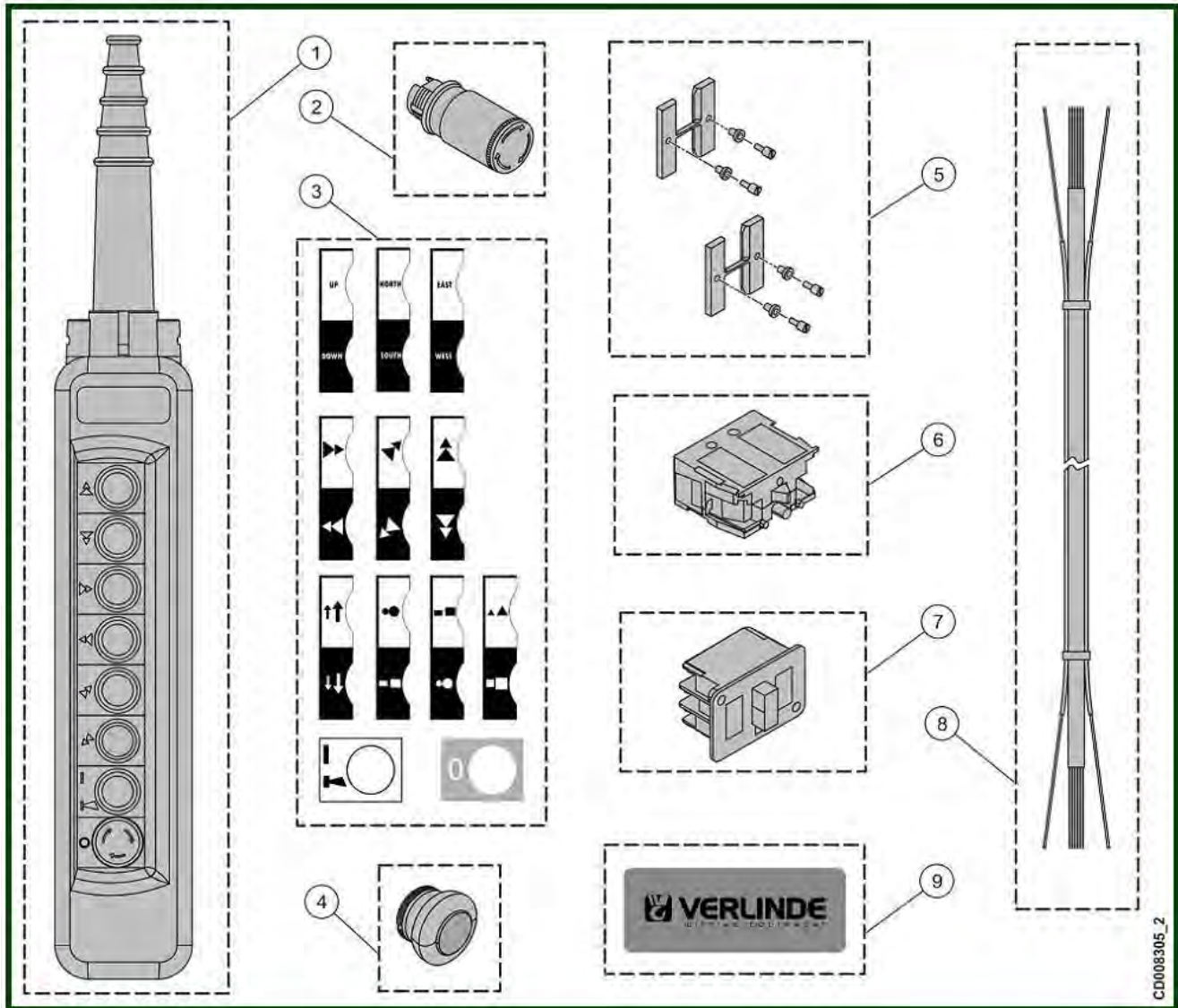
6.2) 4 buttons



item	reference	description	observation	Quantity
1	<u>VT0005055</u>	Pendant controller 2HS+2TS+ES	Jaune / Yellow	1
2	<u>VT0006548</u>	Mushroom push button	ZA2BS834	1
3	<u>VT0007882</u>	Set of direction symbols		1
4	<u>VT0005063</u>	Push button		1
5	<u>VT0005072</u>	Mechanical interlock		2
6	<u>VT0005066</u>	Contact block	ZB2-BE 102	1
7	<u>VT0006059</u>	Pendant with cable 2HS+2TS+ES	4,2 m - Jaune / Yellow	1
7	<u>VT0006058</u>	Pendant with cable 2HS+2TS+ES	3,7 m - Jaune / Yellow	1
7	<u>VT0006062</u>	Pendant with cable 2HS+2TS+ES	5,7 m - Jaune / Yellow	1
7	<u>VT0006055</u>	Pendant with cable 2HS+2TS+ES	2,2 m - Jaune / Yellow	1
7	<u>VT0006056</u>	Pendant with cable 2HS+2TS+ES	2,7 m - Jaune / Yellow	1

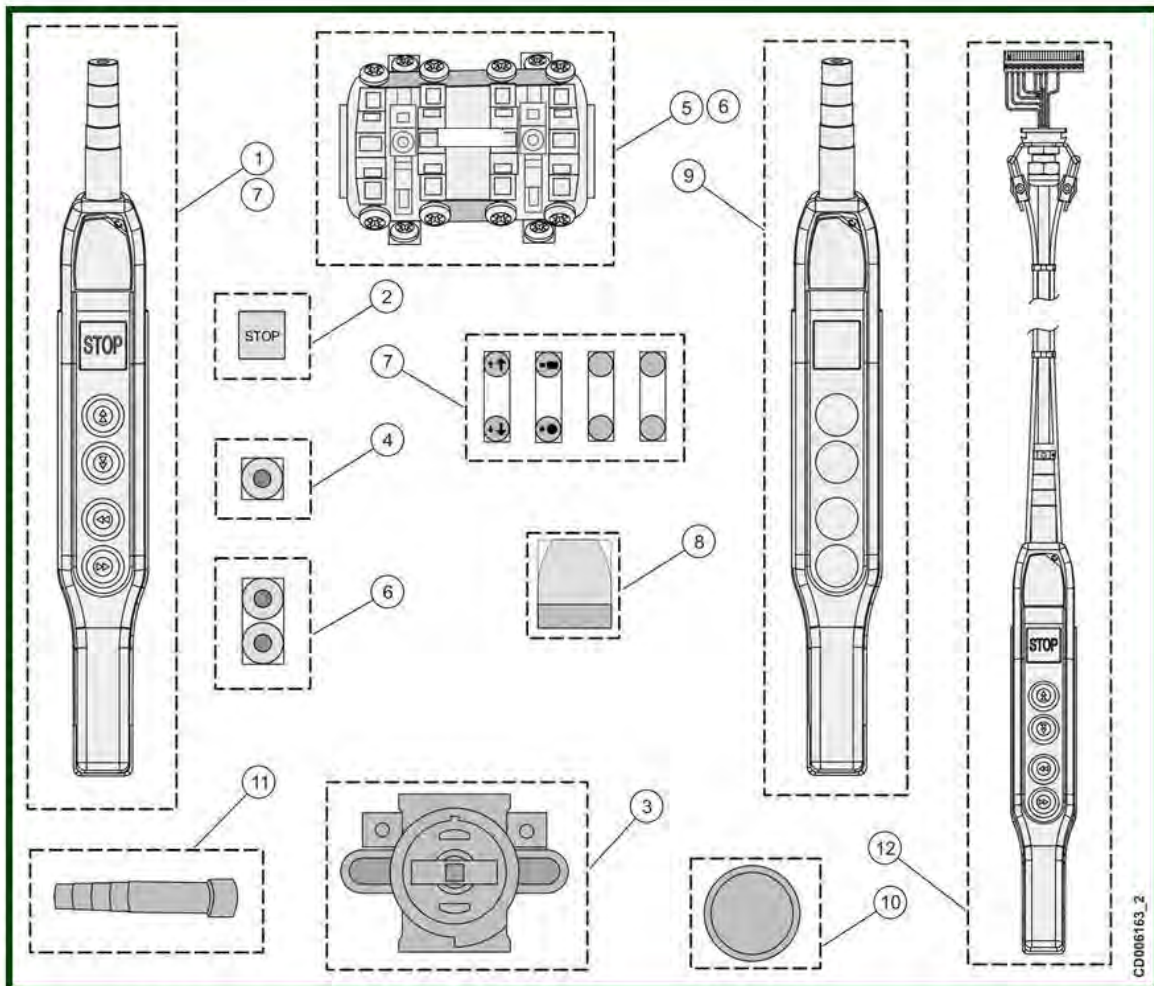
7	<u>VT0006057</u>	Pendant with cable 2HS+2TS+ES	3,2 m - Jaune / Yellow	1
7	<u>VT0006061</u>	Pendant with cable 2HS+2TS+ES	5,2 m - Jaune / Yellow	1
7	<u>VT0006060</u>	Pendant with cable 2HS+2TS+ES	4,7 m - Jaune / Yellow	1
8	<u>VT0007879</u>	Contact block	XENG1191	1
9	<u>VT0007880</u>	Branding sticker	VERLINDE	1
10	<u>VT0006747</u>	Cable	8x1,5mm2 - mètre / meter	1
11	<u>VT0005108</u>	Connector	14P	1
12	<u>VT0007583</u>	Pendant plug set	ISO	1

6.3) 6 buttons



item	reference	description	observation	Quantity
1	VT0005058	Pendant controller 2HS+2TS+2LS+ON-OFF	Jaune / Yellow	1
2	VT0006548	Mushroom push button	ZA2BS834	1
3	VT0007882	Set of direction symbols		1
4	VT0005063	Push button		1
5	VT0005072	Mechanical interlock		2
6	VT0005066	Contact block	ZB2-BE 102	1
7	VT0007879	Contact block	XENG1191	1
8	VT0008073	Cable	16x1.52mm ² - mètre/metter	1
8	VT0008074	Cable	20x1.5mm ² - mètre/metter	1
9	VT0007880	Branding sticker	VERLINDE	1
-	VT0005108	Connector	14P	1

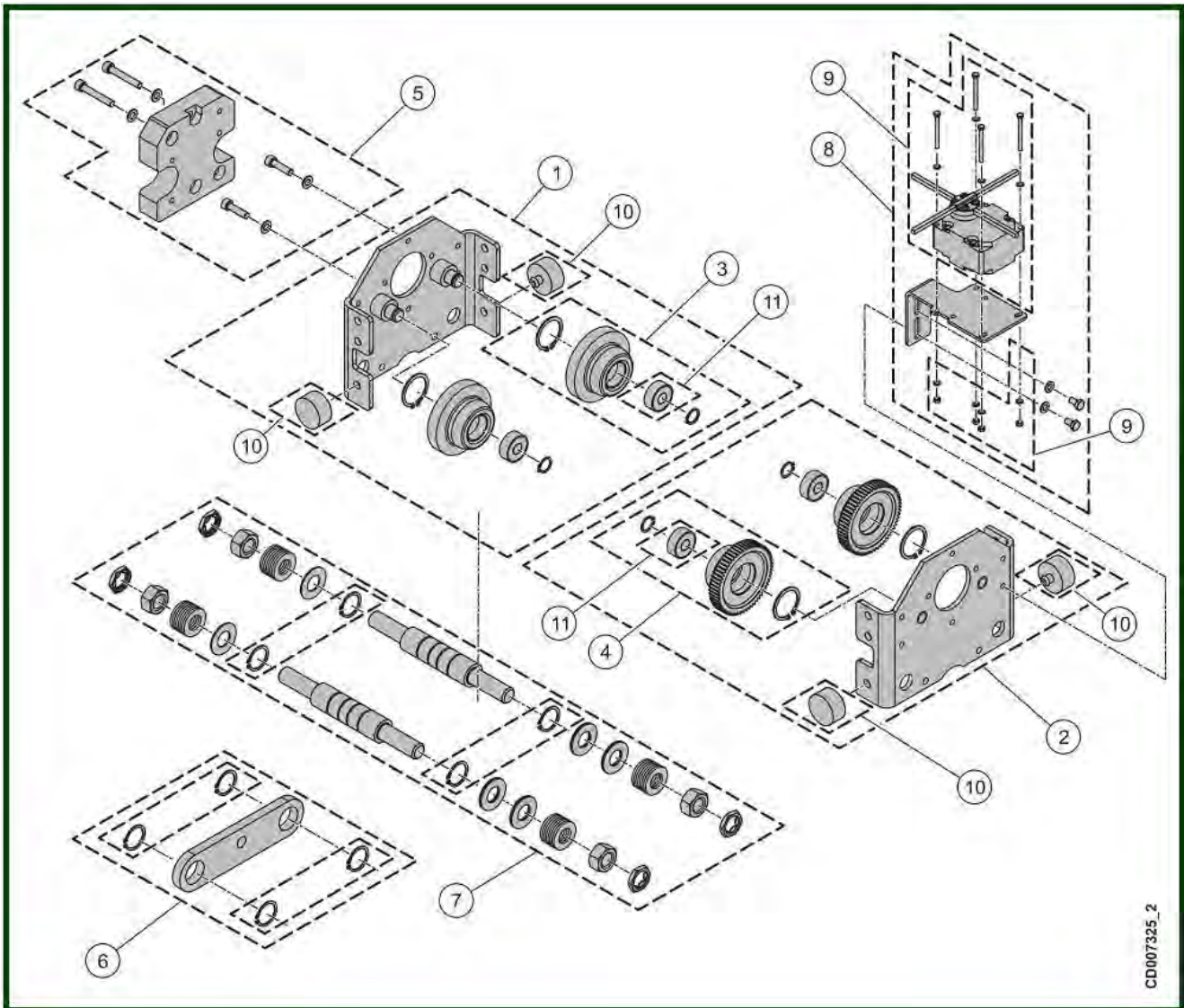
6.4) Push button controller - From september 2014



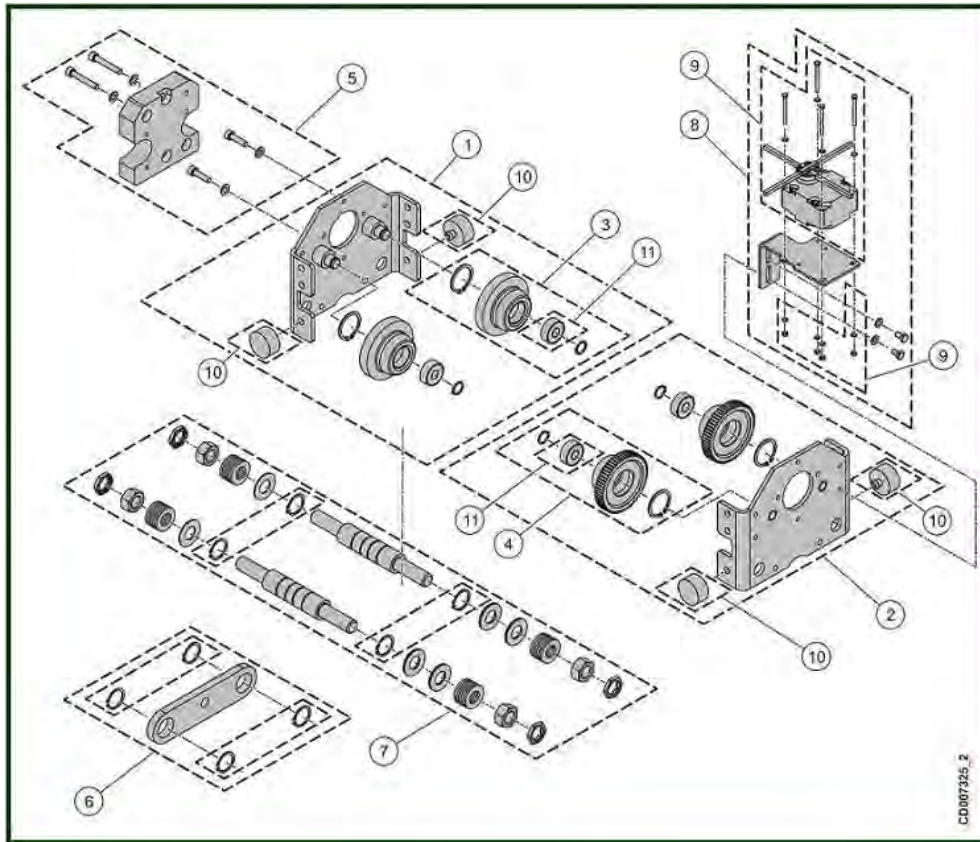
item	reference	description	observation	Quantity
1	VT0006495	Push buttons box - 2 HS+2TS+ES	Jaune - 4 boutons / Yellow - 4 boutons	1
1	VT0006493	Push buttons box - 2 HS+ES	Jaune - 2 boutons / Yellow - 2 boutons	1
2	VT0006509	Emergency push button		1
3	VT0006510	Emergency stop contact block		1
4	VT0006511	Rubber push button		1
5	VT0006513	Contact block	2 vitesses / 2 steps	1
6	VT0006514	Set of 2 push buttons + contact block		1
7	VT0006754	Stickers - Direction symbols	ANSI	1
7	VT0006752	Stickers - Direction symbols	DIN	1
7	VT0006753	Stickers - Direction symbols	FIN-SEN	1
8	VT0006496	Stickers - Brand	VERLINDE	1
9	VT0006515	Pendant housing	Jaune - 2 boutons / Yellow - 2 boutons	1
9	VT0006518	Pendant housing	Jaune - 4 boutons / Yellow - 4 boutons	1
10	VT0006517	Magnet		1
10	VT0006516	Rubber part		1
11	VT0007032	Cable bushing		1
12	VT0006958	Push buttons box + cable + plug - 2 HS+ES	2,20 m - Jaune/yellow - DIN	1
12	VT0006951	Push buttons box + cable + plug - 2 HS+ES	2,70 m - Jaune/yellow - DIN	1

12	<u>VT0006952</u>	Push buttons box + cable + plug - 2 HS+ES	3,20 m - Jaune/yellow - DIN	1
12	<u>VT0006953</u>	Push buttons box + cable + plug - 2 HS+ES	3,70 m - Jaune/yellow - DIN	1
12	<u>VT0006954</u>	Push buttons box + cable + plug - 2 HS+ES	4,20 m - Jaune/yellow - DIN	1
12	<u>VT0006955</u>	Push buttons box + cable + plug - 2 HS+ES	4,70 m - Jaune/yellow - DIN	1
12	<u>VT0006956</u>	Push buttons box + cable + plug - 2 HS+ES	5,20 m - Jaune/yellow - DIN	1
12	<u>VT0006957</u>	Push buttons box + cable + plug - 2 HS+ES	5,70 m - Jaune/yellow - DIN	1
13	<u>VT0006959</u>	Push buttons box + cable + plug - 2 HS+2TS+ES	2,20 m - Jaune/yellow - DIN	1
13	<u>VT0006966</u>	Push buttons box + cable + plug - 2 HS+2TS+ES	2,70 m - Jaune/yellow - DIN	1
13	<u>VT0006960</u>	Push buttons box + cable + plug - 2 HS+2TS+ES	3,20 m - Jaune/yellow - DIN	1
13	<u>VT0006961</u>	Push buttons box + cable + plug - 2 HS+2TS+ES	3,70 m - Jaune/yellow - DIN	1
13	<u>VT0006962</u>	Push buttons box + cable + plug - 2 HS+2TS+ES	4,20 m - Jaune/yellow - DIN	1
13	<u>VT0006963</u>	Push buttons box + cable + plug - 2 HS+2TS+ES	4,70 m - Jaune/yellow - DIN	1
13	<u>VT0006964</u>	Push buttons box + cable + plug - 2 HS+2TS+ES	5,20 m - Jaune/yellow - DIN	1
13	<u>VT0006965</u>	Push buttons box + cable + plug - 2 HS+2TS+ES	5,70 m - Jaune/yellow - DIN	1

7) Normal Headroom Trolley



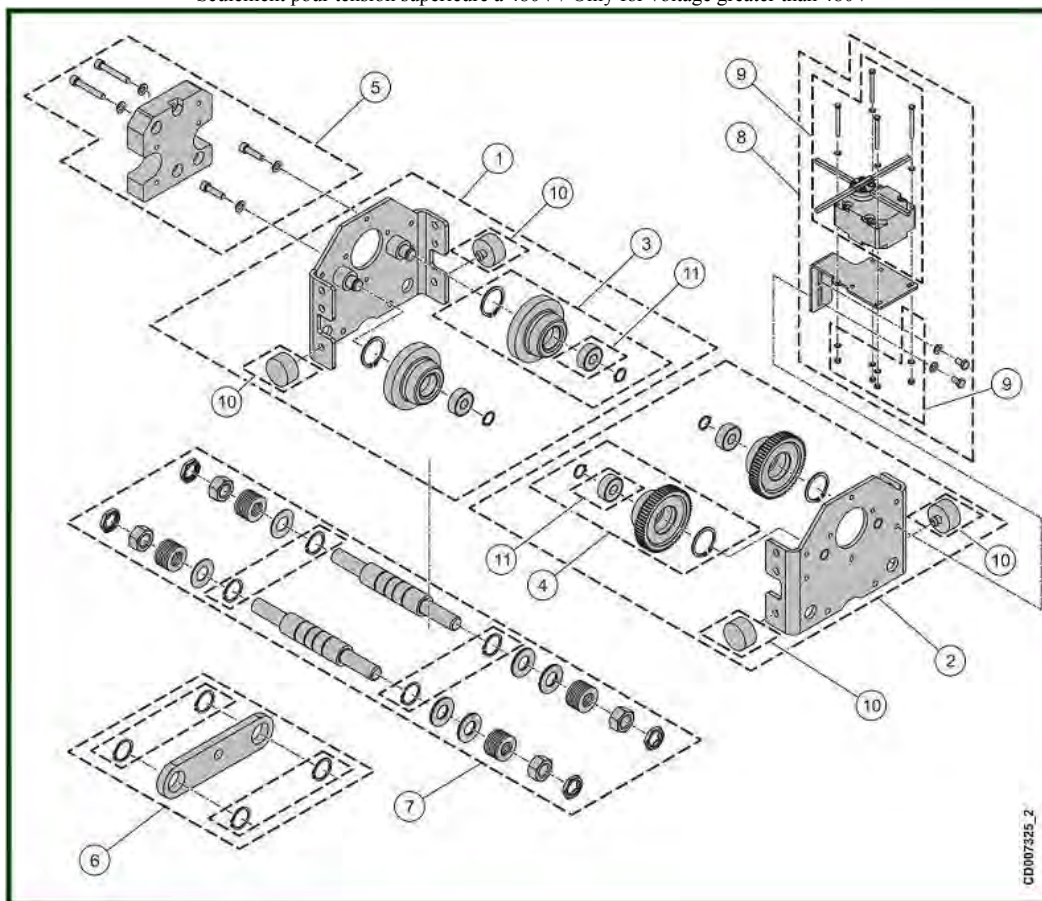
7.1) C1 trolley - 0 to 1000 kg - Coupled version



item	reference	description	observation	Quantity
1	VT0007051	Idler side plate assembly		1
2	VT0007066	Drive side plate assembly		1
3	VT0007061	Complete set of travel wheel without shaft		1
4	VT0007063	Set driving wheel without shaft	Ø 62 - 93 mm	1
5	VT0007062	Set of counterweight		1
6	VT0007064	Coupling part	Version suspendue / Hanging version	1
7	VT0007026	Tie rod set beam - 55 to 100 mm	Tirant monobloc depuis 1999 / Monobloc tie road since 1999 Hook and coupling suspension	1
7	VT0007027	Tie rod set beam - 106 to 150 mm	Tirant monobloc depuis 1999 / Monobloc tie road since 1999 Hook and coupling suspension	1
7	VT0007028	Tie rod set beam - 155 to 200 mm	Tirant monobloc depuis 1999 / Monobloc tie road since 1999 Hook and coupling suspension	1
7	VT0007029	Tie rod set beam - 206 to 248 mm	Tirant monobloc depuis 1999 / Monobloc tie road since 1999 Hook and coupling suspension	1
7	VT0007030	Tie rod set beam - 260 to 307 mm	Tirant monobloc depuis 1999 / Monobloc tie road since 1999 Hook and coupling suspension	1
7	VT0007031	Tie rod set beam - 308 to 310 mm	Tirant monobloc depuis 1999 / Monobloc tie road since 1999 Hook and coupling suspension	1
8	VT0007098	Limit switch - 1 step		1
8	VT0008775	Limit switch - 2 steps		1
9	VT0008776	Travelling limit switch assembly - 1 step		1
9	VT0008777	Travelling limit switch assembly - 2 steps		1
10	VT0009357	Buffer	D40x20 - For C1 to C5 trolley	1
11	VT0007091	Ball Bearing		1

7.2) C2 trolley - 1001 to 2000 kg - Coupled version

Seulement pour tension supérieure à 480V / Only for voltage greater than 480V



item	reference	description	observation	Quantity
1	VT0007067	Idler side plate assembly	C2	1
2	VT0007068	Drive side plate assembly	C2	1
3	VT0007069	Set of idler wheel without shaft	C2 - Ø 80x120 mm	1
4	VT0008778	Set of driving wheel without shaft	C2 - Ø 80x120 mm	1
5	VT0008780	Set of Sounterweight	C2	1
6	VT0007085	Cross bar	Version accouplée / Coupled version	1
7	VT0007036	Tie rod set beam - 64 to 126 mm	C2 -Tirant monobloc depuis 1999 Monobloc tie road since 1999 - Hook and Coupling suspension	1
7	VT0007037	Tie rod set beam - 131 to 190 mm	C2 -Tirant monobloc depuis 1999 Monobloc tie road since 1999 - Hook and Coupling suspension	1
7	VT0007038	Tie rod set beam - 198 to 248 mm	C2 -Tirant monobloc depuis 1999 Monobloc tie road since 1999 - Hook and Coupling suspension	1
7	VT0007039	Tie rod set beam - 260 to 310 mm	C2 -Tirant monobloc depuis 1999 Monobloc tie road since 1999 - Hook and Coupling suspension	1
8	VT0007098	Limit switch - 1 step		1
8	VT0008775	Limit switch - 2 steps		1
9	VT0008776	Travelling limit switch assembly - 1 step		1
9	VT0008777	Travelling limit switch assembly - 2 steps		1
10	VT0007088	Buffer	40X20 M10	1
11	VT0008781	Ball Bearing	C2	1