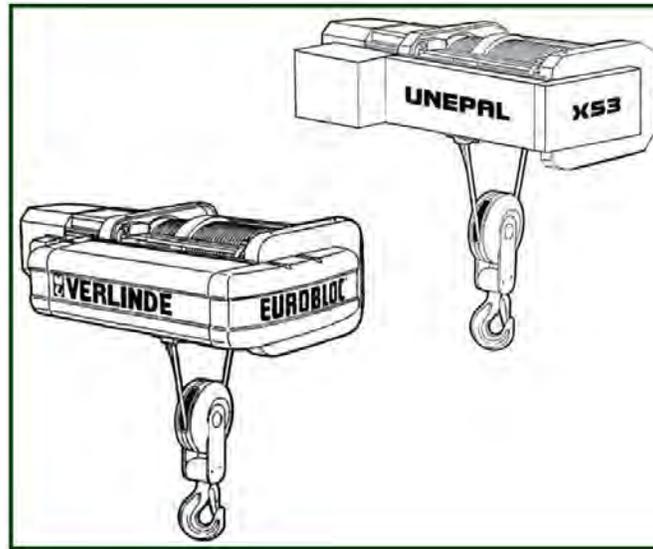


**Spare parts catalog for "VS3-XS3"**

To avoid errors, when ordering please specify:

- Complete type of hoist
- Date of manufacture and serial number
- Spare part code
- Spare part designation
- Additional information



**0) VS HOIST CODIFICATION**

- 1) COVER**
  - 1.1) VS3
  - 1.2) XS3
- 2) FRAME SHORT DRUM A**
- 3) FRAME LONG DRUM C**
- 4) FRAME LONG DRUM D AND E - FM AND NHT FOR VS306**
- 5) FRAME - DRUM A AND C - FM 4/2 - LIFTING CENTERED**
- 6) ROPE DRUM**
  - 6.1) Precut rope
- 7) GEAR**
- 8) ROPE ANCHORAGE SUSPENSION - 2 ROPED - FM AND NHT**
- 9) ROPE ANCHORAGE SUSPENSION - 2 FALLS- LHT**
- 10) ROPE SHEAVE UNIT - 4 ROPED - FM AND NHT**
- 11) ROPE SHEAVE UNIT - 4 ROPED - LHT**
- 12) RETURN WHEEL AND FIXED POINT ASSEMBLY + LOAD LIMITOR VS306**
- 13) OVERLOAD LIMITOR FM-NHT-LHTUP ELECTR. MECHANICAL WITH OR WITHOUT HALL SANSOR**
- 14) OVERLOAD LIMITOR FM-NHT-LHT ELECTR. MECHANICAL**
  - 14.1) Electr. + mechanical and hall sensor
  - 14.2) Hall sensor
- 15) SPRING WASHER TABLE**
- 16) OVERLOAD PROTECTION FOR VS306**
- 17) LIFTING HOOK - 2 ROPED - 1AM**
- 18) LIFTING HOOK - 2 FALLS - 2/3M**
- 19) LIFTING HOOK - 4 FALLS - 1 AM**
- 20) LIFTING HOOK - 4 ROPED - 2/3M**
- 21) LIFTING HOOK - 6 ROPED**
- 22) TRUE VERTICAL LIFTING HOOK - 4/2 ROPED - CABLE 7MM**
- 23) LOW HEADROOM TROLLEY - LHT**
- 24) NORMAL HEADROOM TROLLEY - NHT**
  - 25) BIRAIL TROLLEY**
  - 26) WHEEL SET VP09 AND VP11**
    - 26.1) VP09 wheel set
    - 26.2) VP11 wheel set
  - 27) BIRAIL TROLLEY FOR VS306**
- 28) COMPACT NORMAL HEADROOM TROLLEY**
  - 29) BOGGIE TYPE TROLLEY (NHT)**
  - 30) BOGGIE TYPE TROLLEY NHT**
- 31) NORMAL HEADROOM TROLLEY - NHT FOR VS306**
- 32) MOTORGARBOXES FOR NHT AND LHT MONORAIL HOIST**
  - 32.1) Before april 1999
  - 32.2) After april 1999
- 33) MOTORGARBOX FOR BIRAIL HOIST**
  - 34) ELECTRICAL PARTS**
- 35) MOUNTING AND CHOOSING THE CAME SELECTOR**

# 0) VS hoist codification

ABREVIATIONS		ABREVIATIONS	
(Palan) Fixe	F	Foot Mounted hoist	FM
Chariot à Hauteur Perdue Normale	HPN	Normal Headroom Trolley	NHT
Chariot à Hauteur Perdue Réduite	HPR	Low Headroom Trolley	LHT

CODIFICATION DES PALANS VS / VS HOIST CODIFICATION												
VS		PALAN VS										
2		TAILLE DU CHASSIS										
		1, 2, 3, 4, 5, 6										
		04 1 1										
		MOUFLAGE										
		Nombre de brins / Sorties de câbles au tambour / Nombre de « crochets »										
		5										
		GROUPE ISO										
		4 = 1Am    5 = 2m    6 = 3m    7 = 4m    X = Spécial										
		R 20										
		CHARIOT (*) / LARGEUR DE FER (**)										
		<ul style="list-style-type: none"> <li>• (*) R = HPR</li> <li>• N = HPN</li> <li>• P = Birail parallèle</li> <li>• C = Birail perpendiculaire</li> <li>• F = Fixe posé</li> <li>• X = Spécial</li> </ul>										
		<ul style="list-style-type: none"> <li>• (**)</li> <li>• 10 = Monorail</li> <li>• 15 = 80...100</li> <li>• 20 = 100...150</li> <li>• 25 = 151...250</li> <li>• 30 = 201...250</li> <li>• 35 = 251...300</li> <li>• 40 = 301...350</li> <li>• 45 = 351...400</li> <li>• /• 401...450</li> <li>• /• Birail</li> <li>• /• 09 = 900</li> <li>• /• 14 = 1400</li> <li>• /• 17 = 1700</li> <li>• /• 20 = 2000</li> <li>• /• 24 = 2400</li> <li>• /• 27 = 2700</li> <li>• /• 31 = 3100</li> </ul>										
		A										
		LONGUEUR DE CHASSIS / HAUTEUR DE LEVAGE										
		A, B, C, D, E, F, G, H, J, K, L, M, N										
VS	2	04 1 1	5	R 20	A	N	N2	23 5	SE 5	+	25	N
REDUCTEUR / VITESSE												
L = Lent    N = Normal    R = Rapide    X = Spécial												
MOTEUR												
N (1, 2, 3, 4, 5) = 2 vitesses												
H (2, 3, 4) = Service lourd												
F (3, 4, 5, 6) = Variation de vitesse												
X = Spécial												
(1 = 1,9 kW, 2 = 3,5 kW, 3 = 7,5 kW, 4 = 15 kW, 5 = 30 kW)												
TENSION D'ALIMENTATION												
23 5 = 230V / 50 Hz												
40 5 = 400V / 50 Hz												
41 5 = 415V / 50 Hz												
EQUIPEMENT ELECTRIQUE												
S = Palan solo												
K = Palan pour kit												
C = Classic												
E = Europe												
H = Hi-tronic												
4 = IP 54												
5 = IP 55												
X = Spécial												
LIMITEUR DE CHARGE												
L = Limiteur seul												
M = Monitor												
+ = Limiteur + monitor												
DIRECTION												
16 = 16/4												
20 = 20/5												
25 = 25/6,3												
NO = Non												
CH = Chaîne												
XX = Spécial												
CONCEPTION SPECIALE												
N = Non												
M = Mécanique												
E = Electrique												
D = Divers												

# 1) Cover

NC: Nous consulter/Please, consult us - (\*) Pièce à la commande. Préciser l'année de fabrication/Parts on order. Indicate year of manufacturing



## 1.1) VS3

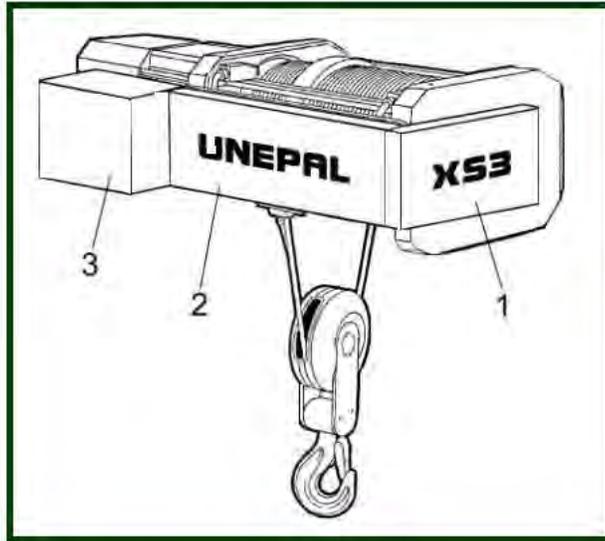
NC: Nous consulter/Please, consult us - (\*) Pièce à la commande. Préciser l'année de fabrication/Parts on order. Indicate year of manufacturing



item	reference	description	observation	Quantity
1	<u>1135021</u>	Cover	Jusqu'à fin novembre 1999 / Up to novembre 1999 N'est plus fourni / Not any more supplied	1
2	<u>1135023</u>	Cover		1
3	<u>1135030</u>	Electric cubicle	VS2...C - VS3...A(*)	1
3	<u>1135130</u>	Electric cubicle	VS3...C VS306...D et E(*)	1
4	<u>V3ED002A</u>	Extension piece for electric cubicle	VS306...D(*)	1
4	<u>V3EE002A</u>	Extension piece for electric cubicle	VS306...E(*)	1

## 1.2) XS3

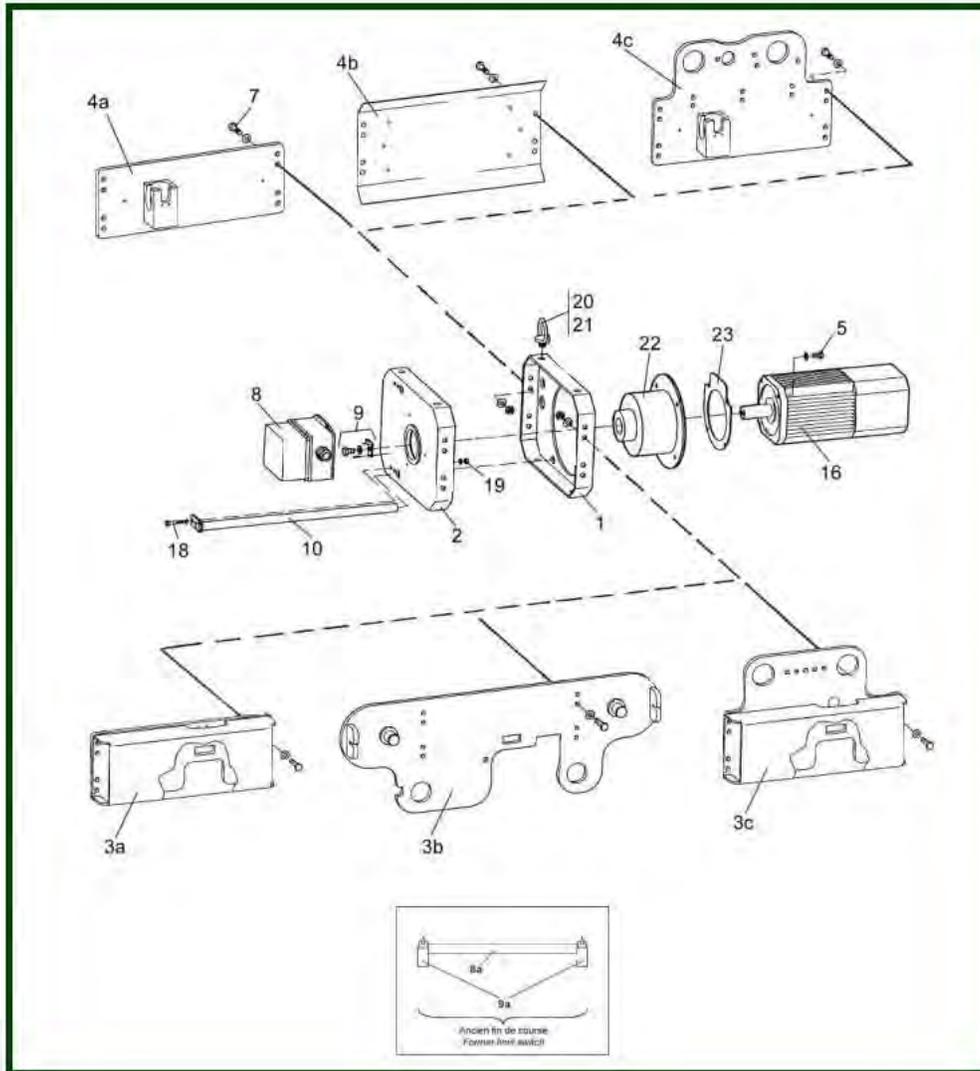
NC: Nous consulter/Please, consult us - (\*) Pièce à la commande. Préciser l'année de fabrication/Parts on order. Indicate year of manufacturing



item	reference	description	observation	Quantity
1	<a href="#">S3FAB03B</a>	Opposit motor side cover	XS2 & XS3 A et C Seulement / Only	1
1	<a href="#">S3FAB05B</a>	Opposit motor side cover	XS306...D et E(*)	1
2	<a href="#">S3FA002B</a>	Side cover	XS2 & XS3 A et C Seulement / Only	1
2	<a href="#">S3FA001B</a>	Side cover	XS2 & XS3 A et C Seulement / Only	1
2	<a href="#">S3FAD04B</a>	Side cover	XS306...D(*)	1
2	<a href="#">S3FAE04B</a>	Side cover	XS306...E(*)	1
3	<a href="#">N.C.</a>	End carriage	VS402 / VP11 - VS404 / VP14 - VS502 VS504 < 16T	1

## 2) Frame short drum A

NC: Nous consulter/Please, consult us - (\*) Pièce à la commande. Préciser l'année de fabrication/Parts on order. Indicate year of manufacturing

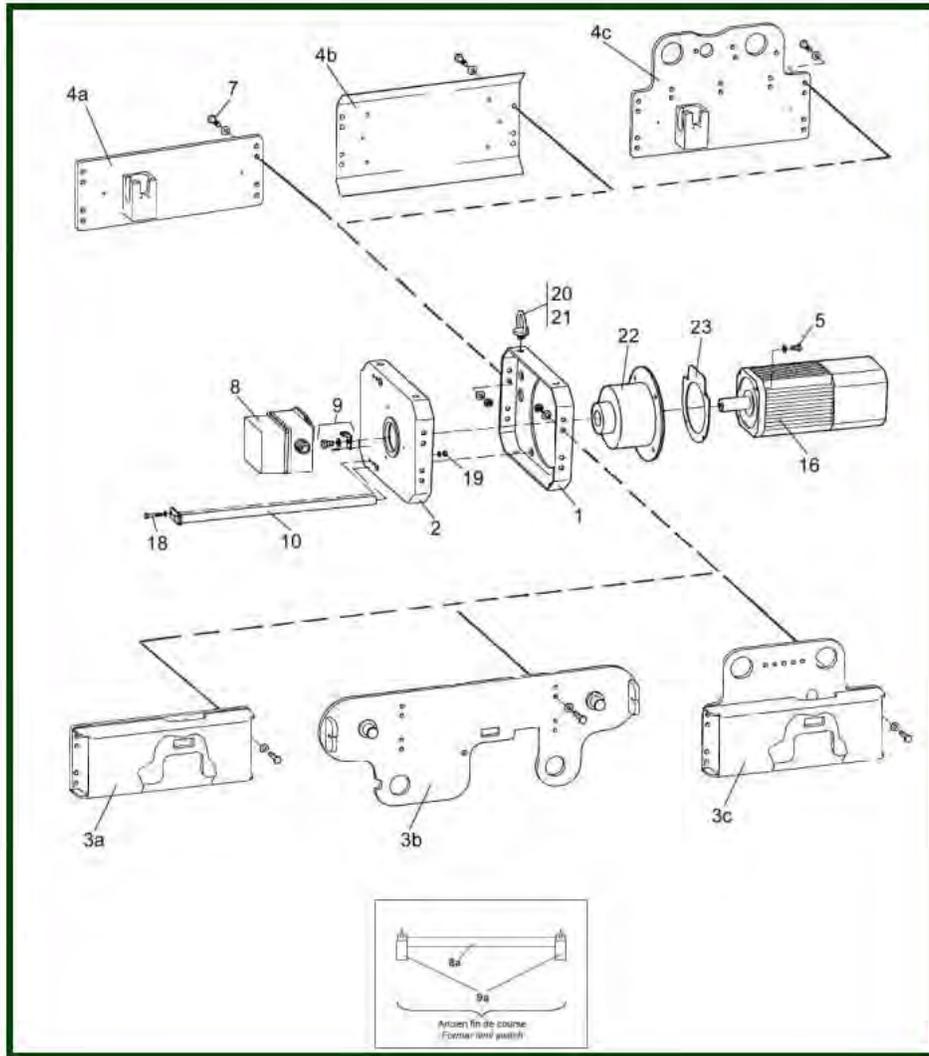


item	reference	description	observation	Quantity
1	<a href="#">1135040</a>	End plate - Motor side		1
2	<a href="#">1135050</a>	End plate - Opposite motor side		1
3a 4b	<a href="#">1135011</a>	Side plate - LHT	XS2 - VS2...R..A - VS202...F - XS3 - VS3...R..A - VS302...F...A	1
3a	<a href="#">1135014</a>	Side plate (4/1)	XS2 - VS2...N..A - XS3 - VS204...F..A	1
3b	<a href="#">1133511</a>	Side plate - LHT	XS2 - VS202...R..A - XS3 - VS302...R..A - VS304...R..A	1
3c	<a href="#">1134514</a>	Side plate - NHT	VS2 N A - VS302...N..A VS304...N..A	1
4a	<a href="#">1135017</a>	Side plate - Fixed	XS2 - VS2...F..A - XS3 - VS3...F..A	1
4c	<a href="#">1134515</a>	Side plate - NHT	XS2 - VS2...N..A - XS3 - VS3...N..A	1
5	<a href="#">830903</a>	CHC screw 10 x 25	Moteur N2 - Vis à coller / Screw paste	4
5	<a href="#">830917</a>	Screw CHC 8 x 25	Moteur N3 - Vis à coller / Screw paste	4
7	<a href="#">NCVF VS3</a>	Fixing screw set		8
8	<a href="#">Chap. 35</a>	Rotating limit witch	XS2 - VS2...C et Z 1/1-2/1-4/1 - Depuis/Since 01/12/99	1
8a	<a href="#">1111022</a>	Limit switch shaft	VS3.....A - Lg 530 mm - Jusqu'au / Until 30/11/99	1
9	<a href="#">1124020</a>	Fixing set + cam selector bracket	Depuis/Since le 01/12/99	1
9a	<a href="#">1113113</a>	Limit switch	Jusqu'à / To 30/11/99	2
10	<a href="#">1111028</a>	Rope guide support shaft	VS1...A - VS3...A	1

16	<u>1127002</u>	Motor 230V/50Hz - 3,5/0,5Kw	VS3...N2	1
16	<u>1137002</u>	Motor 230V/50Hz - 7,5/1,2Kw	VS3...N3	1
16	<u>1127004</u>	Motor 380V/50Hz - 440V/60Hz - 3,5/0,5Kw	VS3...N2	1
16	<u>1137004</u>	Motor 380V/50Hz - 440V/60Hz - 7,5/1,2Kw	VS3...N3	1
16	<u>1137006</u>	Motor 400V/50Hz - 7,5/1,2Kw	VS3...D3 - Frein manuel / Manual brake	1
16	<u>1127001</u>	Motor 400V/50Hz - 460V/60Hz - 3,5/0,5Kw	VS3...N2	1
16	<u>1137001</u>	Motor 400V/50Hz - 460V/60Hz - 7,5/1,2Kw	VS3...N3	1
16	<u>1137003</u>	Motor 400V/50Hz - 460V/60Hz - 15/2,5 Kw	VS3...N3	1
16	<u>1127003</u>	Motor 415V/50Hz - 3,5/0,5Kw	VS3...N2	1
18	<u>830905</u>	CHC Screw 8X20		2
19	<u>831504</u>	Brake washer AZ M8	VS4...B...D - VS5...D/E	2
20	<u>1140006</u>	Lifting hook	Fixe (2) - HPN (4) - HPR (1)	2
21	<u>831594</u>	NYLSTOP nut - M12 - DIN985	PRC1	1
22	<u>voir chap 7</u>	Gearbox		1
23	<u>1137550</u>	Plate	VS3...N2 Seulement pour / Only for 3G2200	1
-	<u>1113070</u>	Connecting box	VS1 N1	1
-	<u>5809212L</u>	Nut M8	Pour fixation / For mounting rail (rep. 8a)	2
-	<u>7215453J</u>	Screw CHC 8x16	Vis pour rail / Screw for shaft	2

### 3) Frame long drum C

NC: Nous consulter/Please, consult us - (\*) Pièce à la commande. Préciser l'année de fabrication/Parts on order. Indicate year of manufacturing

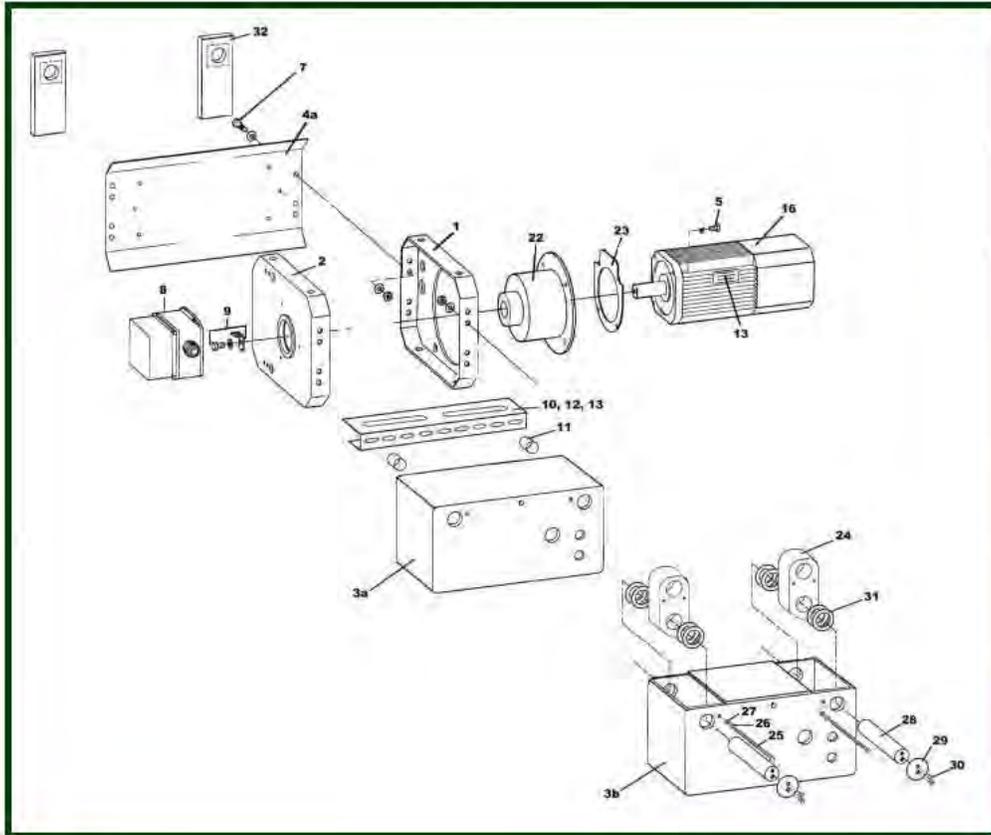


item	reference	description	observation	Quantity
1	<a href="#">1135040</a>	End plate - Motor side		1
2	<a href="#">1135050</a>	End plate - Opposite motor side		1
3a 4b	<a href="#">1135111</a>	Side plate for LHT hoist (2/1)	XS2 - VS2...R - VS202...F..C - VS202...R..C	1
3a	<a href="#">1135114</a>	Side plate for FM hoist (4/1)	XS2 - VS204...F..C	1
3b	<a href="#">1133611</a>	Side plate for LHT hoist - Idle side	XS2 - VS202...R..C - VS204...R..C	1
3c	<a href="#">1134614</a>	Side plate NHT	XS2-VS202...N..C - VS204...N..C	1
4a	<a href="#">1135117</a>	Side plate for LHT hoist	XS2 - VS2...F..C	1
4c	<a href="#">1134615</a>	Welded side plate	XS2-VS2...N..C	1
5	<a href="#">830903</a>	CHC screw 10 x 25	Moteur N2 - Vis à coller / Screw paste	1
5	<a href="#">830917</a>	Screw CHC 8 x 25	Moteur N3 - Vis à coller / Screw paste	1
7	<a href="#">N.C.</a>	End carriage	VS402 / VP11 - VS404 / VP14 - VS502 VS504 < 16T	8
8	<a href="#">GTES110DZM</a>	Rotating limit switch - 4C	VS2...C et Z 1/1 - 2/1 - 4/1 - Depuis/Since 01/12/99	1
8	<a href="#">GTES67DZM</a>	Rotating limit switch - 4C	XS2 - VS2...C et Z 1/1-2/1-4/1 Depuis/Since 01/12/99	1
8a	<a href="#">1111122</a>	Limit switch shaft	XS2 -VS2.....C - Jusqu 'au / until 30/11/99	1
9	<a href="#">1124020</a>	Fixing set + cam selector bracket	Depuis/Since le 01/12/99	1
9a	<a href="#">1113113</a>	Limit switch	Jusqu'à / To 30/11/99	2

10	<a href="#">1111030</a>	Rope guide support shaft	XS2 -VS2.....C	1
14	<a href="#">7215453J</a>	Screw CHC 8x16	Vis pour rail / Screw for shaft	1
15	<a href="#">5809212L</a>	Nut M8	Pour fixation / For mounting rail (rep. 8a)	1
16	<a href="#">1127002</a>	Motor 230V/50Hz - 3,5/0,5Kw	VS3...N2	1
16	<a href="#">1137002</a>	Motor 230V/50Hz - 7,5/1,2Kw	VS3...N3	1
16	<a href="#">1127004</a>	Motor 380V/50Hz - 440V/60Hz - 3,5/0,5Kw	VS3...N2	1
16	<a href="#">1137004</a>	Motor 380V/50Hz - 440V/60Hz - 7,5/1,2Kw	VS3...N3	1
16	<a href="#">1137006</a>	Motor 400V/50Hz - 7,5/1,2Kw	VS3...D3 - Frein manuel / Manual brake	1
16	<a href="#">1127001</a>	Motor 400V/50Hz - 460V/60Hz - 3,5/0,5Kw	VS3...N2	1
16	<a href="#">1137001</a>	Motor 400V/50Hz - 460V/60Hz - 7,5/1,2Kw	VS3...N3	1
16	<a href="#">1137003</a>	Motor 400V/50Hz - 460V/60Hz - 15/2,5 Kw	VS3...N3	1
16	<a href="#">1127003</a>	Motor 415V/50Hz - 3,5/0,5Kw	VS3...N2	1
18	<a href="#">830905</a>	CHC Screw 8X20		2
19	<a href="#">831504</a>	Brake washer AZ M8	VS4...B...D - VS5.....D/E	2
20	<a href="#">1140006</a>	Lifting hook	Fixe (2) - HPN (4) - HPR (1)	2
21	<a href="#">831594</a>	NYLSTOP nut - M12 - DIN985	PRC1	1
22	<a href="#">voir chap 7</a>	Gearbox		1
23	<a href="#">1137550</a>	Plate	VS3...N2 Seulement pour / Only for 3G2200	1
-	<a href="#">1113070</a>	Connecting box	VS1 N1	1

## 4) Frame long drum D and E - FM and NHT for VS306

NC: Nous consulter/Please, consult us - (\*) Pièce à la commande. Préciser l'année de fabrication/Parts on order. Indicate year of manufacturing

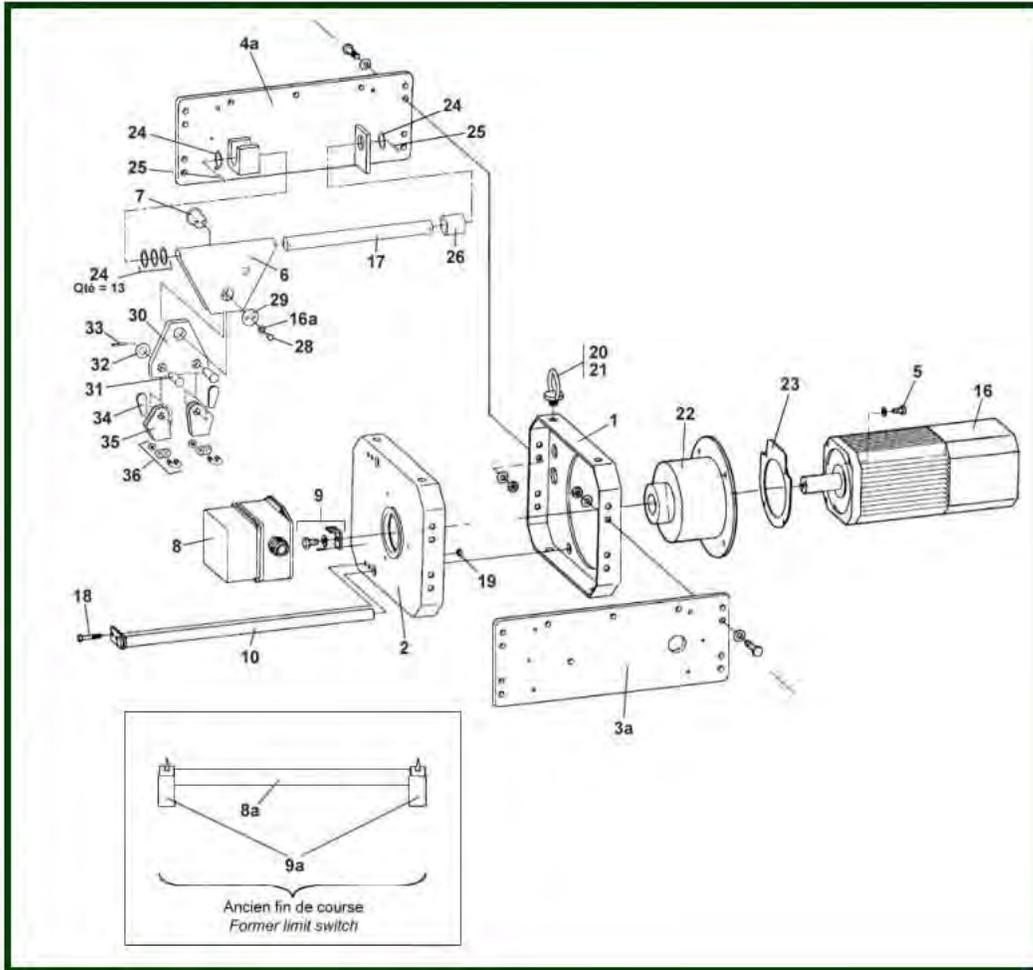


item	reference	description	observation	Quantity
1	<a href="#">1135040</a>	End plate - Motor side		1
2	<a href="#">1135050</a>	End plate - Opposite motor side		1
3a	<a href="#">V3BAP6DA</a>	Load beam for FM hoist Lg D	*	1
3a	<a href="#">V3BAP6EA</a>	Load beam for FM hoist Lg E	*	1
3b	<a href="#">V3NAP6DA</a>	Load beam for NHT hoist Lg D	*	1
3b	<a href="#">V3NAP6EA</a>	Load beam for NHT hoist Lg E	*	1
4a	<a href="#">V3BA11DA</a>	Side plate	* Lg D	1
4a	<a href="#">V3BA11EA</a>	Side plate	* Lg E	1
5	<a href="#">830903</a>	CHC screw 10 x 25	Moteur N2 - Vis à coller / Screw paste	4
5	<a href="#">830917</a>	Screw CHC 8 x 25	Moteur N3 - Vis à coller / Screw paste	4
8	<a href="#">GTES110DZM</a>	Rotating limit switch - 4C	VS2...C et Z 1/1 - 2/1 - 4/1 - Depuis/Since 01/12/99	1
8	<a href="#">GTES67DZM</a>	Rotating limit switch - 4C	XS2 - VS2...C et Z 1/1-2/1-4/1 Depuis/Since 01/12/99	1
9	<a href="#">1124020</a>	Fixing set + cam selector bracket	Depuis/Since le 01/12/99	1
10	<a href="#">3X1A01DB</a>	U shape guide rail for D drum - Lg 970mm	VS306 seulement / only	1
10	<a href="#">3X1A01EB</a>	U shape guide rail for E drum - Lg 1140mm	VS306 seulement / only	1
11	<a href="#">5358211T</a>	Spacerring for adjustment	Ep. / Th : 10 -Tambour D (10) - Tambour E (14)	10
12	<a href="#">830914</a>	CHC screw 8 x 30	Tambour D (5) -Tambour E (7)	5
13	<a href="#">7231081W</a>	Flat washer	Tambour D (5) -Tambour E (7)	5
16	<a href="#">1127002</a>	Motor 230V/50Hz - 3,5/0,5Kw	VS3...N2	1
16	<a href="#">1137002</a>	Motor 230V/50Hz - 7,5/1,2Kw	VS3...N3	1
16	<a href="#">1127004</a>	Motor 380V/50Hz - 440V/60Hz - 3,5/0,5Kw	VS3...N2	1

16	<u>1137004</u>	Motor 380V/50Hz - 440V/60Hz - 7,5/1,2Kw	VS3...N3	1
16	<u>1137006</u>	Motor 400V/50Hz - 7,5/1,2Kw	VS3...D3 - Frein manuel / Manual brake	1
16	<u>1127001</u>	Motor 400V/50Hz - 460V/60Hz - 3,5/0,5Kw	VS3...N2	1
16	<u>1137001</u>	Motor 400V/50Hz - 460V/60Hz - 7,5/1,2Kw	VS3...N3	1
16	<u>1137003</u>	Motor 400V/50Hz - 460V/60Hz - 15/2,5 Kw	VS3...N3	1
16	<u>1127003</u>	Motor 415V/50Hz - 3,5/0,5Kw	VS3...N2	1
20	<u>1140006</u>	Lifting hook	Fixe (2) - HPN (4) - HPR (1)	4
21	<u>831594</u>	NYLSTOP nut - M12 - DIN985	PRC1	4
22	<u>voir chap 7</u>	Gearbox		1
23	<u>1137550</u>	Plate	VS3...N2 Seulement pour / Only for 3G2200	1
24	<u>V3NAP65A</u>	NHT connection plate - width beam < 250 mm	*	2
24	<u>V3NAP66A</u>	NHT connection plate - width beam > 250 mm	*	2
25	<u>830408</u>	Screw HM 16 x 140		2
27	<u>51001027</u>	Nylstop nut - Ø 16		2
28	<u>V3NAP64A</u>	Shaft	*	2
29	<u>V3SAU02A</u>	Fixing plate		4
30	<u>830205</u>	Securing screw for brake bar HM 8 x 25		2
31	<u>N.C.</u>	End carriage	VS402 / VP11 - VS404 / VP14 - VS502 VS504 < 16T	1
32	<u>V3NB601A</u>	Locking plate for tie rod		1
-	<u>1113070</u>	Connecting box	VS1 N1	1

## 5) Frame - Drum A and C - FM 4/2 - Lifting centered

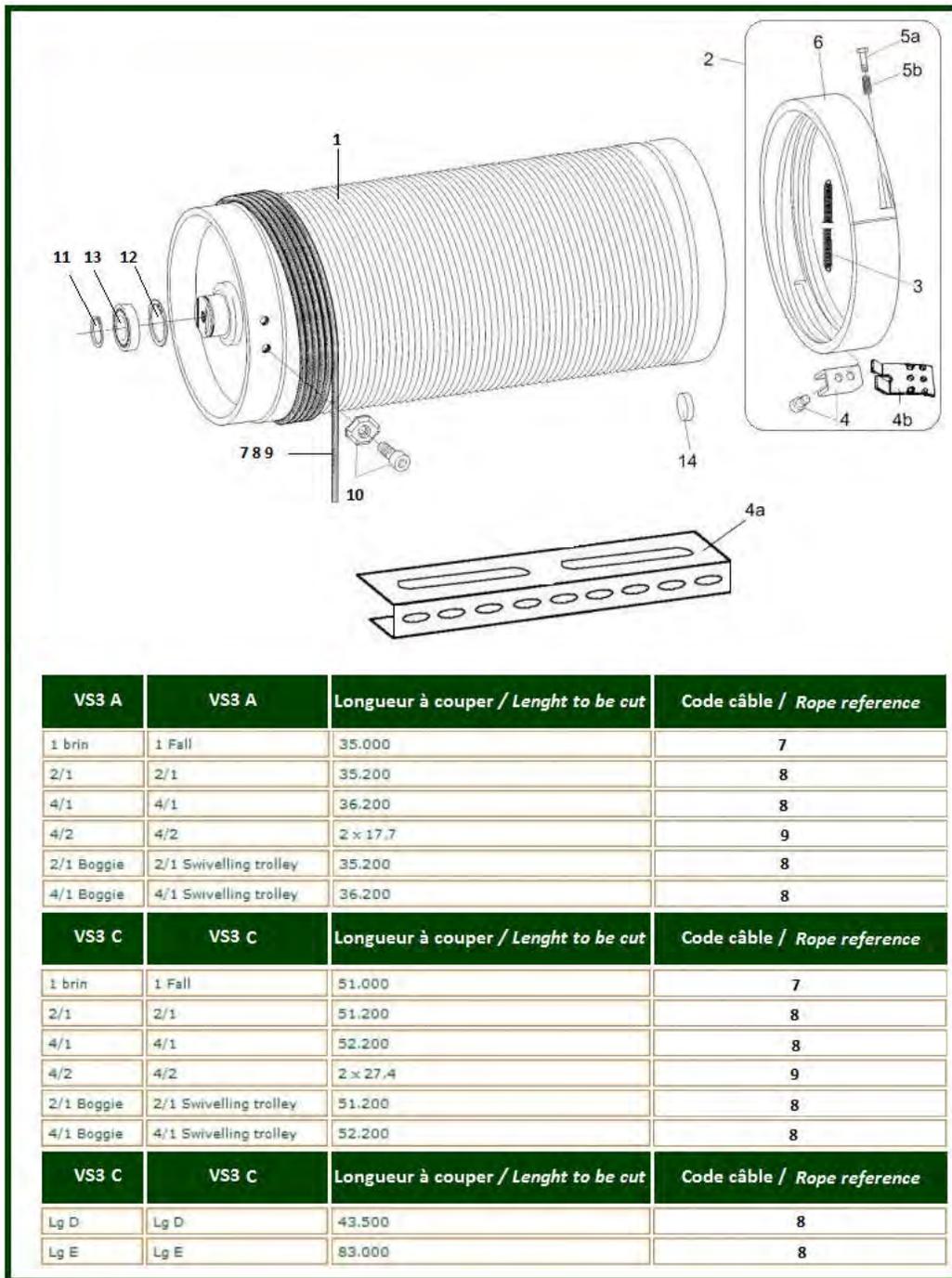
NC: Nous consulter/Please, consult us - (\*) Pièce à la commande. Préciser l'année de fabrication/Parts on order. Indicate year of manufacturing



item	reference	description	observation	Quantity
1	<u>1135040</u>	End plate - Motor side		1
2	<u>1135050</u>	End plate - Opposite motor side		1
3a	<u>1135111</u>	Side plate for LHT hoist (2/1)	XS2 - VS2...R - VS202...F..C - VS202...R..C	1
3a	<u>1135011</u>	Side plate - LHT	XS2 - VS2...R..A - VS202...F - XS3 - VS3...R..A - VS302...F...A	1
4a	<u>VS30210A</u>	Side plate - cubicle side	* Lg A	1
4a	<u>VS30192A</u>	Side plate - cubicle side	* Lg C	1
5	<u>830903</u>	CHC screw 10 x 25	Moteur N2 - Vis à coller / Screw paste	4
5	<u>830917</u>	Screw CHC 8 x 25	Moteur N3 - Vis à coller / Screw paste	4
6	<u>VS30157A</u>	Fixed point support	HPR seulement / Only LHT	1
6	<u>1132510</u>	Support	VS2... A & C	1
7	<u>1112506</u>	Pulley Shaft		1
8	<u>GTES67DZM</u>	Rotating limit switch - 4C	XS2 - VS2...C et Z 1/1-2/1-4/1 Depuis/Since 01/12/99	1
8a	<u>1111022</u>	Limit switch shaft	VS3.....A - Lg 530 mm - Jusqu'au / Until 30/11/99	1
8a	<u>1111122</u>	Limit switch shaft	XS2-VS2.....C - Jusqu'au / until 30/11/99	1
9	<u>1124020</u>	Fixing set + cam selector bracket	Depuis/Since le 01/12/99	1
9a	<u>1113113</u>	Limit switch	Jusqu'à / To 30/11/99	2
10	<u>1111028</u>	Rope guide support shaft	VS1...A - VS3...A	1
10	<u>1111030</u>	Rope guide support shaft	XS2 -VS2.....C	1

16	<u>1127002</u>	Motor 230V/50Hz - 3,5/0,5Kw	VS3...N2	1
16	<u>1137002</u>	Motor 230V/50Hz - 7,5/1,2Kw	VS3...N3	1
16	<u>1127004</u>	Motor 380V/50Hz - 440V/60Hz - 3,5/0,5Kw	VS3...N2	1
16	<u>1137004</u>	Motor 380V/50Hz - 440V/60Hz - 7,5/1,2Kw	VS3...N3	1
16	<u>1137006</u>	Motor 400V/50Hz - 7,5/1,2Kw	VS3...D3 - Frein manuel / Manual brake	1
16	<u>1127001</u>	Motor 400V/50Hz - 460V/60Hz - 3,5/0,5Kw	VS3...N2	1
16	<u>1137001</u>	Motor 400V/50Hz - 460V/60Hz - 7,5/1,2Kw	VS3...N3	1
16	<u>1137003</u>	Motor 400V/50Hz - 460V/60Hz - 15/2,5 Kw	VS3...N3	1
16	<u>1127003</u>	Motor 415V/50Hz - 3,5/0,5Kw	VS3...N2	1
16a	<u>8110011</u>	Washer		2
17	<u>1112318</u>	Support plate shaft		1
18	<u>830905</u>	CHC Screw 8X20		2
19	<u>831504</u>	Brake washer AZ M8	VS4...B...D - VS5...D/E	2
20	<u>1140006</u>	Lifting hook	Fixe (2) - HPN (4) - HPR (1)	4
-	<u>1113070</u>	Connecting box	VS1 N1	1
-	<u>5809212L</u>	Nut M8	Pour fixation / For mounting rail (rep. 8a)	2
-	<u>7215453J</u>	Screw CHC 8x16	Vis pour rail / Screw for shaft	2

## 6) Rope drum



item	reference	description	observation	Quantity
1	<u>1130500</u>	Rope drum - Lg 550mm	VS3.....A	1
1	<u>1130600</u>	Rope drum - Lg 760mm	VS3.....C	1
1	<u>1130700</u>	Rope drum - Lg 940mm	VS306.....D	1
1	<u>1130800</u>	Rope drum - Lg 1440mm	VS306.....E	1
1	<u>V3FM008A</u>	True vertical lift rope drum 2F - Lg 550mm - P7,8	VS3...A	1
1	<u>V3FM008C</u>	True vertical lift rope drum 2F - Lg 760mm - P7,8	VS3...C	1

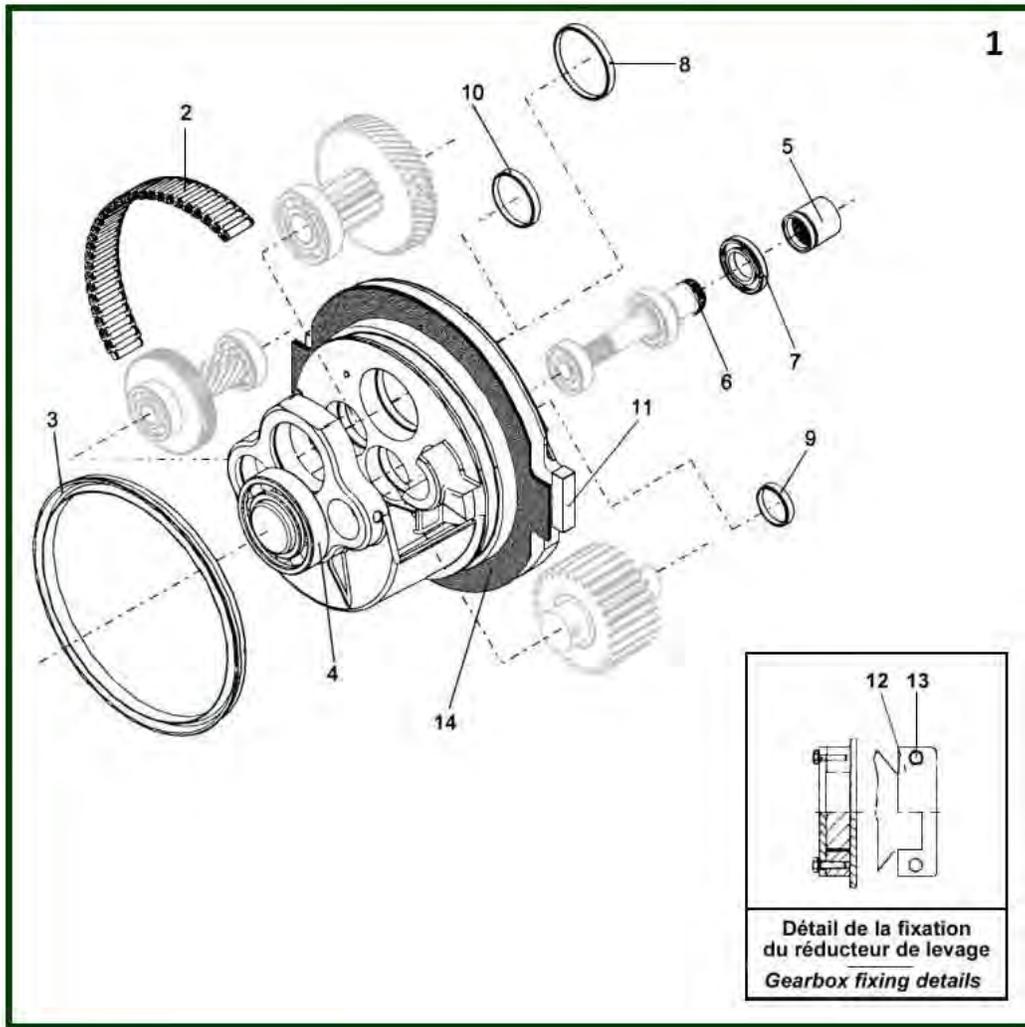
2	<u>1130561</u>	Complete rope guide - P7.8 - Ø 7 - Left	4/2 seulement	1
2	<u>1130540</u>	Complete rope guide - P9,9 - Ø 9 - Right	4/1 2/1 1/1 - Standard	1
2	<u>1130550</u>	Complete rope guide - P9,9 - Ø 9 - Right	6/1 - VS306	1
2	<u>1120540</u>	Rope guide - P7.8 - Ø 7 - Right	VS2...A et C VS202 VS204 Standard VS304 Levage centré/ True vertical	1
3	<u>1111008</u>	Spring - Lg 750		1
4	<u>1111014</u>	Shape guide		1
4a	<u>3X1A01DB</u>	U shape guide rail for D drum - Lg 970mm	VS306 seulement / only	1
4a	<u>3X1A01EB</u>	U shape guide rail for E drum - Lg 1140mm	VS306 seulement / only	1
4b	<u>3D2D04B</u>	Trigger plate	VS306 seulement / only	1
5a	<u>554347</u>	Screw	VS1-VS2	2
5b	<u>12332001</u>	Pressure spring	VS1-VS2	2
7	<u>1131042</u>	Antigratory rope - Ø 9 mm	VS3AVS3C - 1 brin / 1 fall	1
8	<u>1131142</u>	Compact rope - Ø 9 mm	VS304, VS302 et VS306 - VS4 OB, VS4 OD	1
9	<u>1121042</u>	Left rope - Ø 7	VS1...A - VS2A-VS2C-VS2O-VS2 Z - VS3A-VS3C	1
10	<u>7232100D</u>	GROWER washer M10	DIN12 Standard - Frein automatique/Automatic brake	3
10	<u>12133001</u>	Rope anchor on drum	VS2-VS4	3
10	<u>7215557X</u>	Screw CHCM10x25		3
11	<u>400081</u>	Circlip	VS2.....A et C	1
12	<u>300080</u>	Circlip	VS2.....A et C	1
13	<u>8110071</u>	Bearing	VS2.....A et C	1
14	<u>1111540</u>	Magnet set	VS1-VS2-VS3	2

## 6.1) Precut rope

item	reference	description	observation	Quantity
	<u>53044759</u>	Compact rope - Ø 7 17X7-B-LHL-40.4	Lg 37m	1
	<u>53044763</u>	Compact rope - Ø 7 17X7-B-LHL-40.4	Lg 38m	1
	<u>53044765</u>	Compact rope - Ø 7 17X7-B-LHL-40.4	Lg 46m	1
	<u>53043513</u>	Compact rope - Ø 9 9X17-B-LHL-68.5	Lg 20m	1
	<u>53043540</u>	Compact rope - Ø 9 9X17-B-LHL-68.5	Lg 36m	1
	<u>53043542</u>	Compact rope - Ø 9 9X17-B-LHL-68.5	Lg 37m	1
	<u>53043561</u>	Compact rope - Ø 9 9X17-B-LHL-68.5	Lg 38m	1
	<u>53043569</u>	Compact rope - Ø 9 9X17-B-LHL-68.5	Lg 39m	1
	<u>53044910</u>	Precut antigyratory rope - Ø 9 24X7-B-LHL-68.5 - VS3A VS3C	Lg 34m - 1 brin / 1 fall	1

## 7) Gear

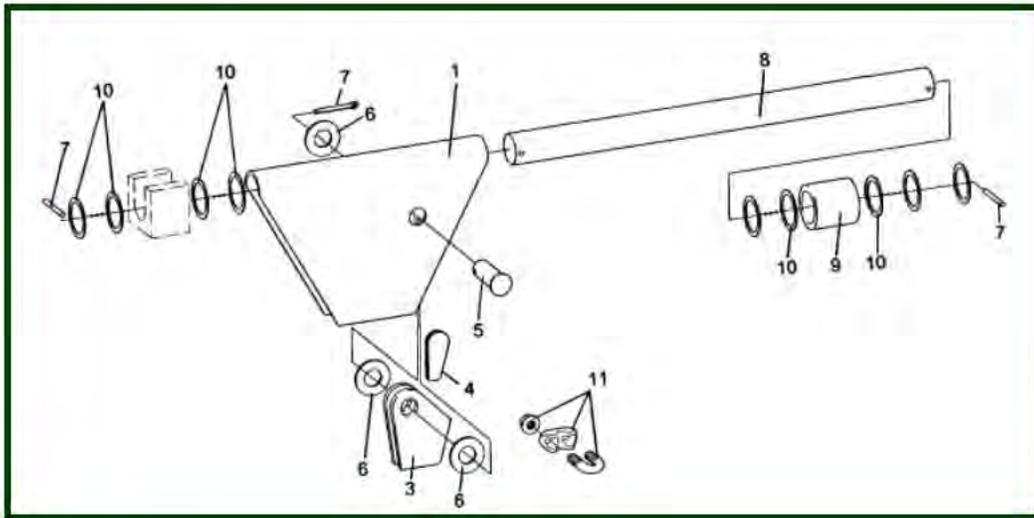
Les autres pièces ne sont pas vendues/Other parts are not sold



item	reference	description	observation	Quantity
1	<u>1137502</u>	Gearbox	3G2200 - L	1
1	<u>1137503</u>	Gearbox	3G3300 - R	1
1	<u>1137504</u>	Gearbox	3G3500 - N	1
2	<u>P3G0004</u>	Bearing		1
3	<u>P3G0005</u>	Sealing		1
4	<u>8110080</u>	Bearing		1
5	<u>P1G0005/1</u>	Coupling	A partir de mars 1996 / Since march 1996	1
5	<u>P1G0005</u>	Coupling	VS1 N1	1
5	<u>P3G0008</u>	Coupling	VS3 N3 - VS4...LN3	1
6	<u>P1G0006</u>	O-ring	VS3 N2	1
6	<u>P3G0010</u>	Seal	VS3 N3 - VS4...LN3	1
7	<u>P1G0011</u>	Seal	VS3 N2	1
7	<u>P3G0012</u>	Seal	VS3 N3	1
8	<u>P2G0005</u>	Cap	VS3 N2	1
8	<u>P3G0014</u>	Cap	VS3 N3	1
9	<u>P3G0013</u>	Cap		1
10	<u>P3G0015</u>	Cap		1

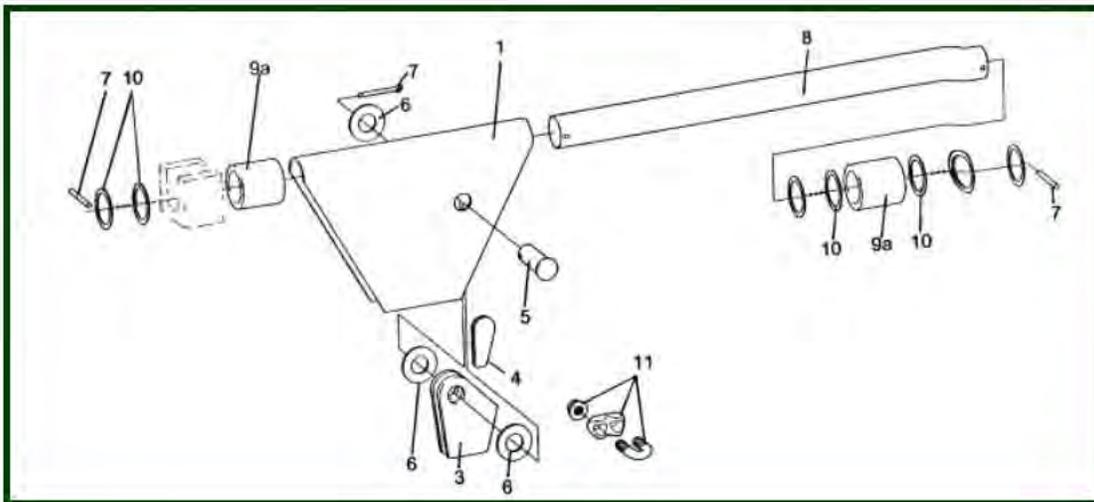
11	<u>1131038</u>	Set of 2 plastic caps	Set de cales + plaques / Set of wedge + stick	2
12	<u>1131036</u>	Gear fixing plates		2
13	<u>830201</u>	Exterior circlip	C3	4
14	<u>S3G0011A</u>	Flat plate	VS3...N2	1
-	<u>1137550</u>	Plate	VS3...N2 Seulement pour / Only for 3G2200	1

## 8) Rope anchorage suspension - 2 roped - FM and NHT



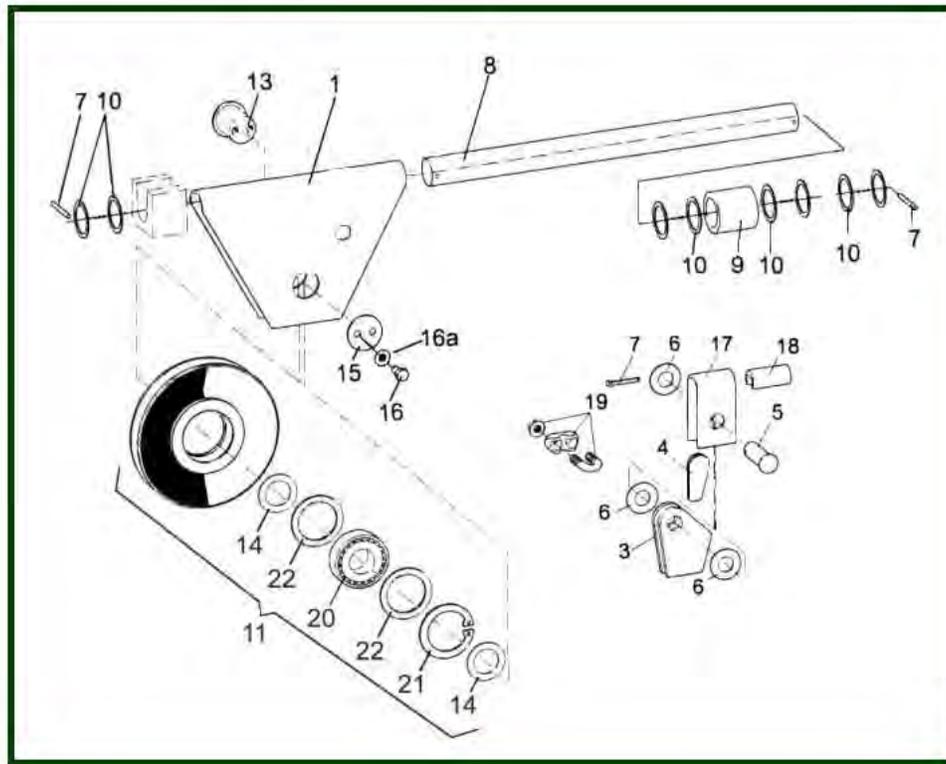
item	reference	description	observation	Quantity
1	<a href="#">1132510</a>	Support	VS2... A & C	1
3	<a href="#">1132527</a>	Key housing		1
4	<a href="#">1132530</a>	Key		1
5	<a href="#">1112515</a>	Anchor point shaft		1
6	<a href="#">7231202C</a>	Washer		3
7	<a href="#">831662</a>	Pin		1
8	<a href="#">1112518</a>	Support shaft		1
9	<a href="#">1132524</a>	Sleeve	VS2... A & C	1
10	<a href="#">8110003</a>	Washer		18
11	<a href="#">7333100L</a>	Rope clip - ø 10		1

## 9) Rope anchorage suspension - 2 falls- LHT



item	reference	description	observation	Quantity
1	<a href="#">1132510</a>	Support	VS2... A & C	1
3	<a href="#">1132527</a>	Key housing		1
4	<a href="#">1132530</a>	Key		1
5	<a href="#">1112515</a>	Anchor point shaft		1
6	<a href="#">7231202C</a>	Washer		3
7	<a href="#">831662</a>	Pin		1
8	<a href="#">1132518</a>	Support Shaft	VS2... A & C	1
9a	<a href="#">1132524</a>	Sleeve	VS2... A & C	2
10	<a href="#">8110003</a>	Washer		14
11	<a href="#">7333100L</a>	Rope clip - ø 10		1

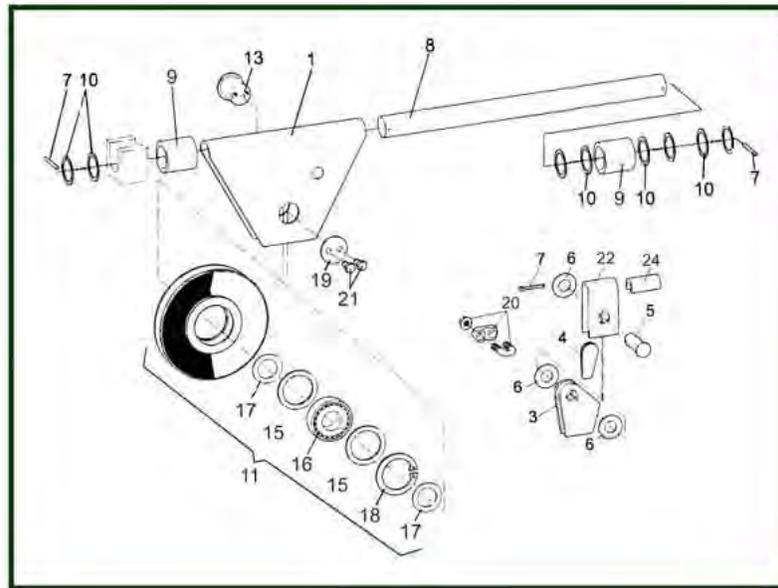
## 10) Rope sheave unit - 4 roped - FM and NHT



item	reference	description	observation	Quantity
1	<a href="#">1132610</a>	Support	2/3M	1
1	<a href="#">1132510</a>	Support	VS2... A & C	1
3	<a href="#">1132527</a>	Key housing		1
4	<a href="#">1132530</a>	Key		1
5	<a href="#">1112515</a>	Anchor point shaft		1
6	<a href="#">7231202C</a>	Washer		1
7	<a href="#">831662</a>	Pin		2
8	<a href="#">1112518</a>	Support shaft		1
9	<a href="#">1132524</a>	Sleeve	VS2... A & C	1
10	<a href="#">8110003</a>	Washer		9
11	<a href="#">1132520</a>	Pulley with bearing	15+30+31	1
11	<a href="#">1132620</a>	Pulley with bearing - Ø 265	15+30+31	1
13	<a href="#">1132606</a>	Pulley Shaft	2/3M - VS404..5/6..R	1
13	<a href="#">1112506</a>	Pulley Shaft		1
14	<a href="#">1132503</a>	Sleeve	1Am	2
14	<a href="#">1132603</a>	Sleeve	2/3M	1
15	<a href="#">1132609</a>	Locking plate	2/3M	1
15	<a href="#">1112509</a>	Washer		1
16	<a href="#">830201</a>	Exterior circlip	C3	2
16a	<a href="#">8110011</a>	Washer		2
17	<a href="#">1112534</a>	Rope and support		1
18	<a href="#">1132532</a>	Sleeve		1
19	<a href="#">7333100L</a>	Rope clip - ø 10		1
20	<a href="#">8130072</a>	Bearing		1
20	<a href="#">8130070</a>	Bearing		1

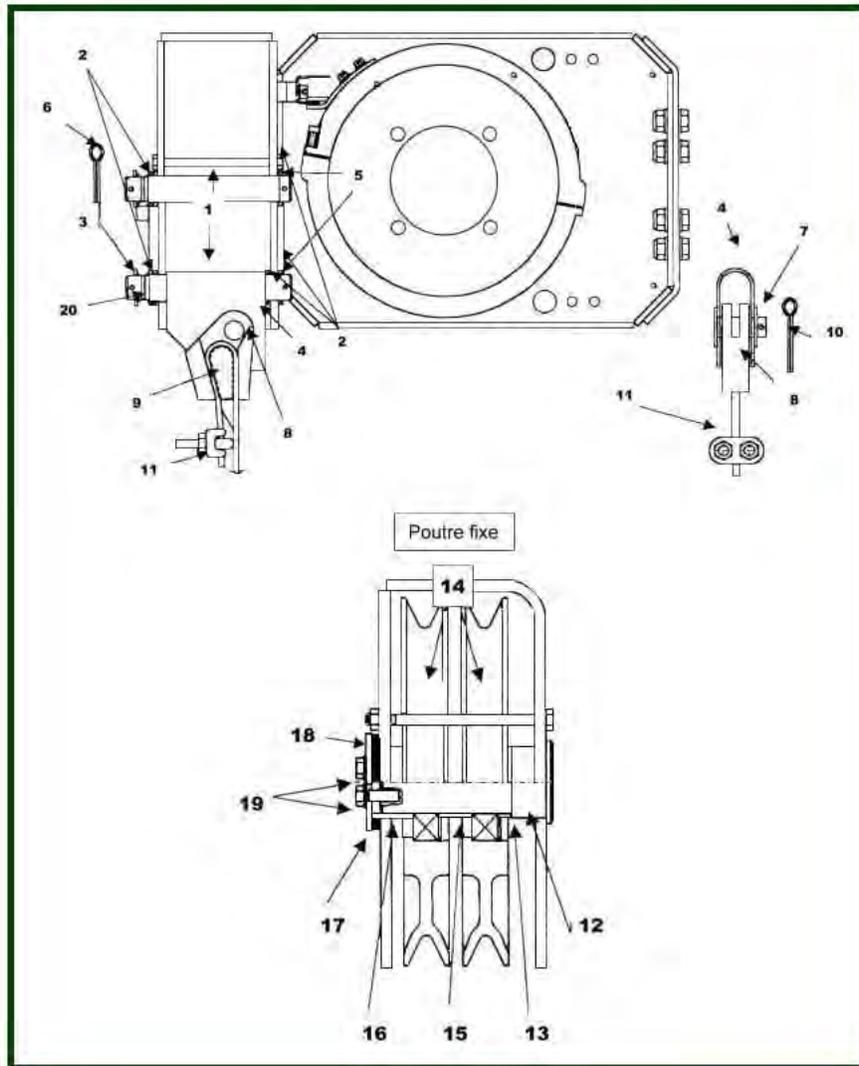
21	<u>8130086</u>	Circlip		1
21	<u>8130085</u>	Circlip		1
22	<u>8130090</u>	Nilos washer	1Am	2
22	<u>8130091</u>	Nilos washer	2/3M	2

## 11) Rope sheave unit - 4 roped - LHT



item	reference	description	observation	Quantity
1	<a href="#">1132610</a>	Support	2/3M	1
1	<a href="#">1132510</a>	Support	VS2... A & C	1
3	<a href="#">1132527</a>	Key housing		1
4	<a href="#">1132530</a>	Key		1
5	<a href="#">1112515</a>	Anchor point shaft		1
6	<a href="#">7231202C</a>	Washer		3
7	<a href="#">831662</a>	Pin		2
8	<a href="#">1132518</a>	Support Shaft	VS2... A & C	1
9	<a href="#">1132524</a>	Sleeve	VS2... A & C	2
10	<a href="#">8110003</a>	Washer		9
11	<a href="#">1132520</a>	Pulley with bearing	15+30+31	1
11	<a href="#">1132620</a>	Pulley with bearing - Ø 265	15+30+31	1
13	<a href="#">1132606</a>	Pulley Shaft	2/3M - VS404..5/6..R	1
13	<a href="#">1112506</a>	Pulley Shaft		1
15	<a href="#">8130090</a>	Nilos washer	1Am	2
15	<a href="#">8130091</a>	Nilos washer	2/3M	2
16	<a href="#">8130072</a>	Bearing		1
16	<a href="#">8130070</a>	Bearing		1
17	<a href="#">1132503</a>	Sleeve	1Am	2
17	<a href="#">1132603</a>	Sleeve	2/3M	1
18	<a href="#">8130086</a>	Circlip		1
18	<a href="#">8130085</a>	Circlip		1
19	<a href="#">1132609</a>	Locking plate	2/3M	1
19	<a href="#">1112509</a>	Washer		1
20	<a href="#">7333100L</a>	Rope clip - ø 10		1
21	<a href="#">830201</a>	Exterior circlip	C3	2
22	<a href="#">1112534</a>	Rope and support		1
24	<a href="#">1132532</a>	Sleeve		1

## 12) Return wheel and fixed point assembly + Load limiter VS306

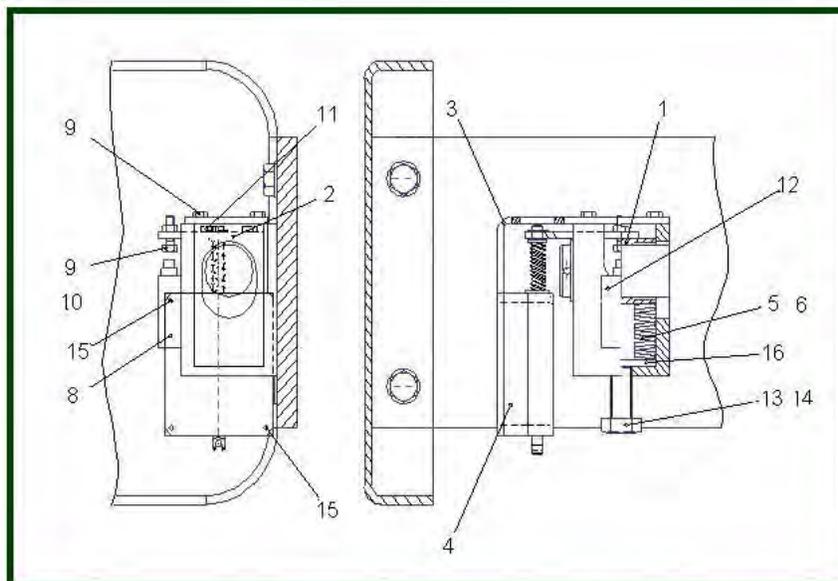


item	reference	description	observation	Quantity
1	<a href="#">V3BAR01B</a>	Load limiter shaft		2
2	<a href="#">3BAR02A</a>	Sleeve		7
3	<a href="#">400763</a>	Washer Ø22		2
4	<a href="#">3SAR03A</a>	Fixed point plate		1
5	<a href="#">400764</a>	Washer Ø28		2
6	<a href="#">7271604T</a>	Split pin 4 x 60		4
7	<a href="#">1112515</a>	Anchor point shaft		1
8	<a href="#">1132527</a>	Key housing		1
9	<a href="#">1132530</a>	Key		1
10	<a href="#">7271635B</a>	Pin 6 x 70		1
11	<a href="#">7333100L</a>	Rope clip - ø 10		1
12	<a href="#">4BAU01A</a>	Pulley Shaft		1
13	<a href="#">4HL007A</a>	Sleeve 52 x 45 x 10		1
14	<a href="#">1132620</a>	Pulley with bearing - Ø 265	15+30+31	2
15	<a href="#">4HL010A</a>	Sleeve 52 x 45 x 25		1
16	<a href="#">3BAU03B</a>	Sleeve 52 x 45 x 30		1

17	<u>8150019</u>	Washer - 68 x 55 x 1	SP55X68X2 DIN988 - VS402...R - 1AM/2M/3M	6
18	<u>V3SAU02A</u>	Fixing plate		1
19	<u>830205</u>	Securing screw for brake bar HM 8 x 25		2
20	<u>Voir/see page 40/41</u>	Load limiter		1
21	<u>8130072</u>	Bearing		2

### 13) Overload limiter FM-NHT-LHTUP electr. mechanical with or without hall sensor

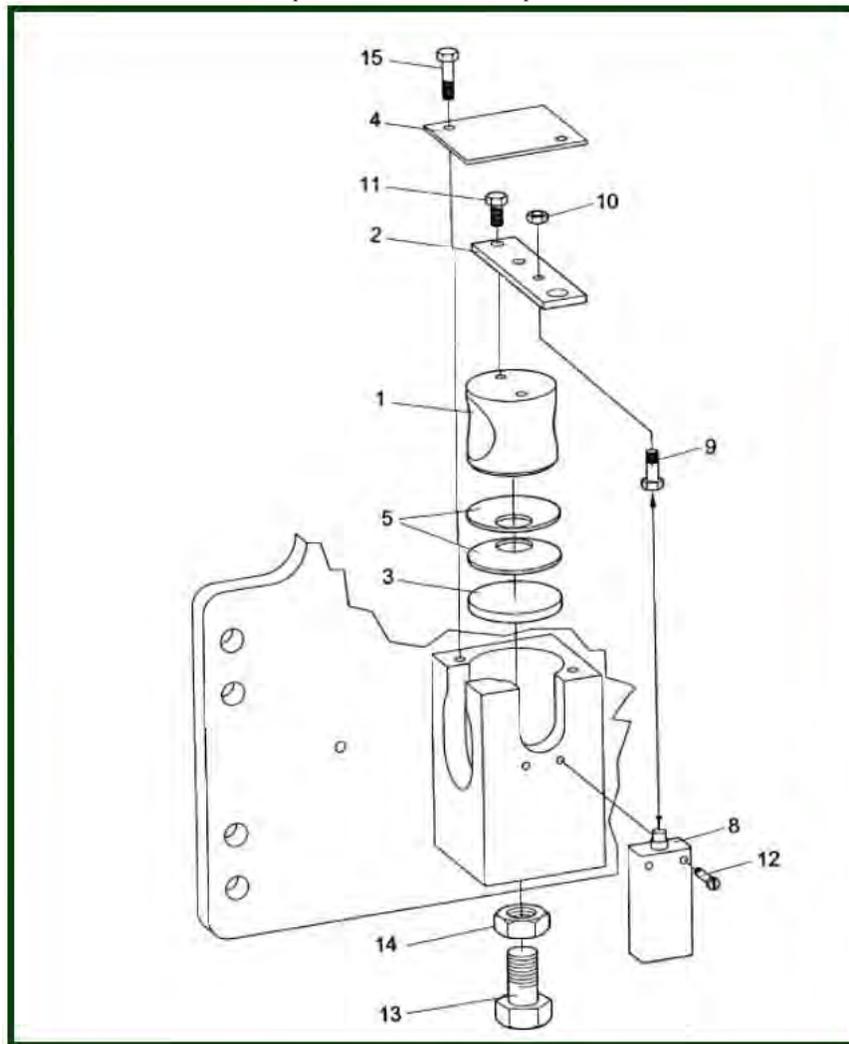
Jusqu'à mars 99 / Up to march 1999



item	reference	description	observation	Quantity
1	<a href="#">1111523</a>	Sleeve		1
2	<a href="#">1111508</a>	Trigger plate		1
2	<a href="#">1111522</a>	Trigger plate	HPR/LHT	1
4	<a href="#">1113547</a>	HALL sensor	HPR/LHT VS306/VS404 2/6 - Jusqu'à mars 99 / To march 99	1
5	<a href="#">180053</a>	Spring washer	Type A	0
5	<a href="#">180052</a>	Spring washer	Type B	1
6	<a href="#">180051</a>	Spring limiteur	Type C	1
6	<a href="#">180050</a>	Spring limiteur	Type D - HPR/LHT	1
7	<a href="#">1115020</a>	Cover	HPR	1
8	<a href="#">8111593</a>	Limit switch		1
9	<a href="#">7211356F</a>	Screw		5
10	<a href="#">831501</a>	Screw M6	Standard	1
11	<a href="#">8110033</a>	Screw		2
12	<a href="#">830930</a>	CHC screw M4x20		0
13	<a href="#">830622</a>	Screw CHC M16x40	Moteur N5	1
14	<a href="#">831574</a>	PAL nut - M16	C1	1
16	<a href="#">1111521</a>	Rondelle fond limiteur		1
17	<a href="#">8110502</a>	Truac ring		0

## 14) Overload limiter FM-NHT-LHT Electr. mechanical

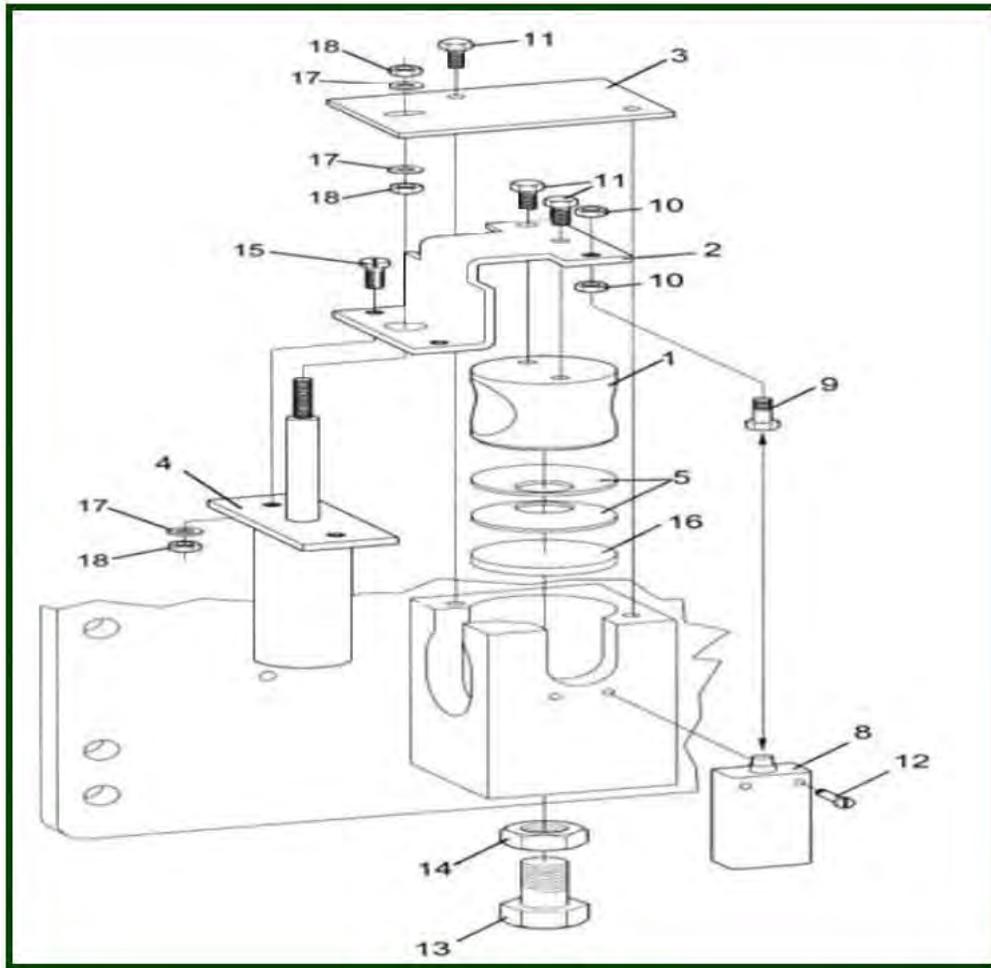
A partir d'avril 1999 / From april 1999



item	reference	description	observation	Quantity
1	<a href="#">1111523</a>	Sleeve		1
2	<a href="#">1111508</a>	Trigger plate		1
3	<a href="#">1111521</a>	Rondelle fond limiteur		1
4	<a href="#">1115020</a>	Cover	HPR	1
5	<a href="#">180051</a>	Spring limiteur	Type C	1
5	<a href="#">180050</a>	Spring limiteur	Type D - HPR/LHT	1
5	<a href="#">180053</a>	Spring washer	Type A	1
5	<a href="#">180052</a>	Spring washer	Type B	1
8	<a href="#">8111593</a>	Limit switch		1
9	<a href="#">7211356F</a>	Screw		0
10	<a href="#">831501</a>	Screw M6	Standard	2
11	<a href="#">8110033</a>	Screw		0
12	<a href="#">830930</a>	CHC screw M4x20		0
13	<a href="#">830622</a>	Screw CHC M16x40	Moteur N5	1
14	<a href="#">831574</a>	PAL nut - M16	C1	0
15	<a href="#">8110033</a>	Screw		4

## 14.1) Electr. + mechanical and hall sensor

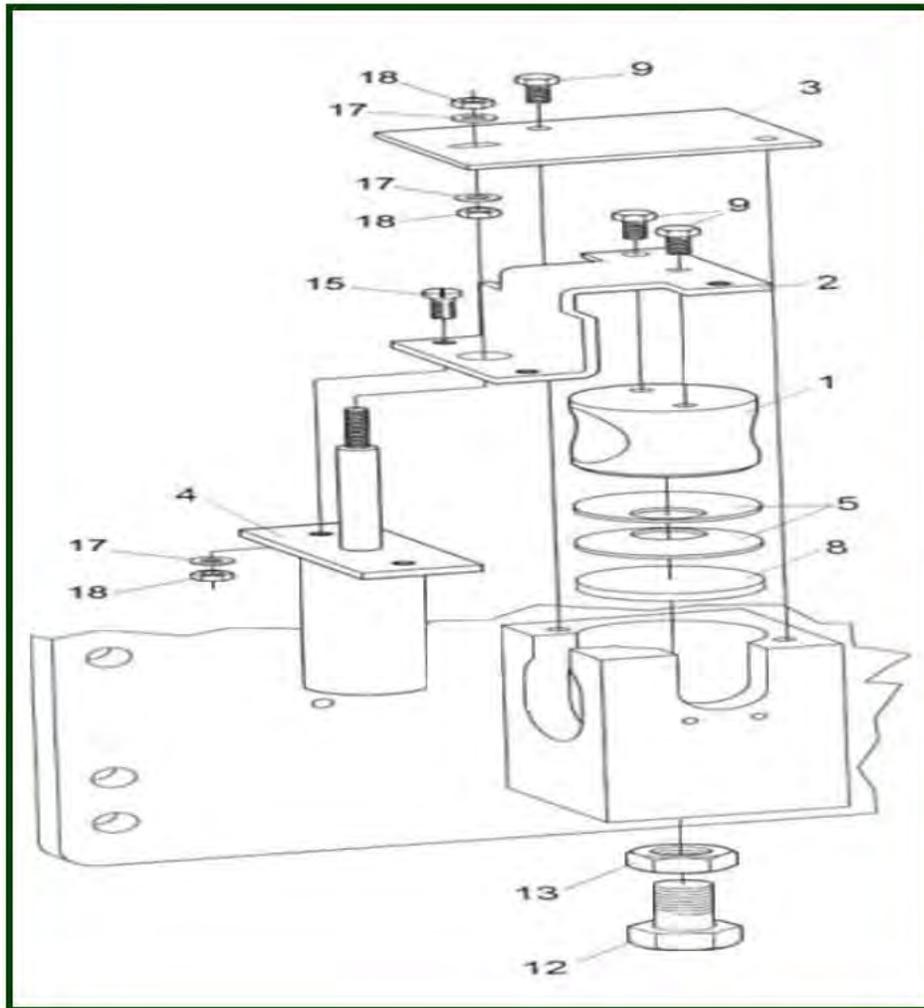
A partir d'avril 1999 / From april 1999



item	reference	description	observation	Quantity
1	<a href="#">1111523</a>	Sleeve		1
2	<a href="#">1111508</a>	Trigger plate		1
3	<a href="#">1111503</a>	Sensor support		1
4	<a href="#">LP2OUFR10</a>	HALL sensor		1
5	<a href="#">180051</a>	Spring limiteur	Type C	1
5	<a href="#">180050</a>	Spring limiteur	Type D - HPR/LHT	1
5	<a href="#">180053</a>	Spring washer	Type A	1
5	<a href="#">180052</a>	Spring washer	Type B	1
8	<a href="#">8111593</a>	Limit switch		1
9	<a href="#">7211356F</a>	Screw		0
10	<a href="#">831501</a>	Screw M6	Standard	2
11	<a href="#">8110033</a>	Screw		4
12	<a href="#">830930</a>	CHC screw M4x20		2
13	<a href="#">830622</a>	Screw CHC M16x40	Moteur N5	1
14	<a href="#">831574</a>	PAL nut - M16	C1	0
16	<a href="#">1111521</a>	Rondelle fond limiteur		1
17	<a href="#">7232040P</a>	Grower washer M4		4
18	<a href="#">7221040C</a>	Nut M4		4

## 14.2) Hall sensor

A partir d'avril 1999 / From april 1999



item	reference	description	observation	Quantity
1	<a href="#">1111523</a>	Sleeve		0
2	<a href="#">1111508</a>	Trigger plate		0
2	<a href="#">1111522</a>	Trigger plate	HPR/LHT	0
3	<a href="#">1111503</a>	Sensor support		0
3	<a href="#">1113524</a>	Sensor support	HPR/LHT	0
4	<a href="#">LP2OUFR10</a>	HALL sensor		0
4	<a href="#">1113547</a>	HALL sensor	HPR/LHT VS306/VS404 2/6 - Jusqu'à mars 99 / To march 99	0
5	<a href="#">180051</a>	Spring limiteur	Type C	0
5	<a href="#">180050</a>	Spring limiteur	Type D - HPR/LHT	1
5	<a href="#">180053</a>	Spring washer	Type A	0
5	<a href="#">180052</a>	Spring washer	Type B	0
8	<a href="#">1111521</a>	Rondelle fond limiteur		4
9	<a href="#">8110033</a>	Screw		0

## 15) Spring washer table

VS3 Fixes et HPN / VS3 FM and NHT

Type de palan	Charge kg	Type de ressort	Disposition	Nb.
Type of hoist	Load kg	Type of spring	Position	Pc.
VS 302	2000 (3m)	D	2 x 2 opposées	10
	2500 (2m)	C		
	3200 (1Am)			
VS 304	4000 (3m)	A	1 x 1 opposées	9
	5000 (2m)	C		
	6300 (1Am)		2 x 2 opposées	12

VS3 Fixes et HPN pour réducteur N / VS3 FM and NHT for N type gearbox:

Type de palan	Charge kg	Type de ressort	Disposition	Nb.
Type of hoist	Load kg	Type of spring	Position	Pc.
VS 302	2000 (3m)	C	1 x 1 opposées	9
	2500 (2m)			
	3200 (1Am)	B		
VS 304	4000 (3m)	A	2 x 2 opposées	12
	5000 (2m)	C		
	6300 (1Am)	B		

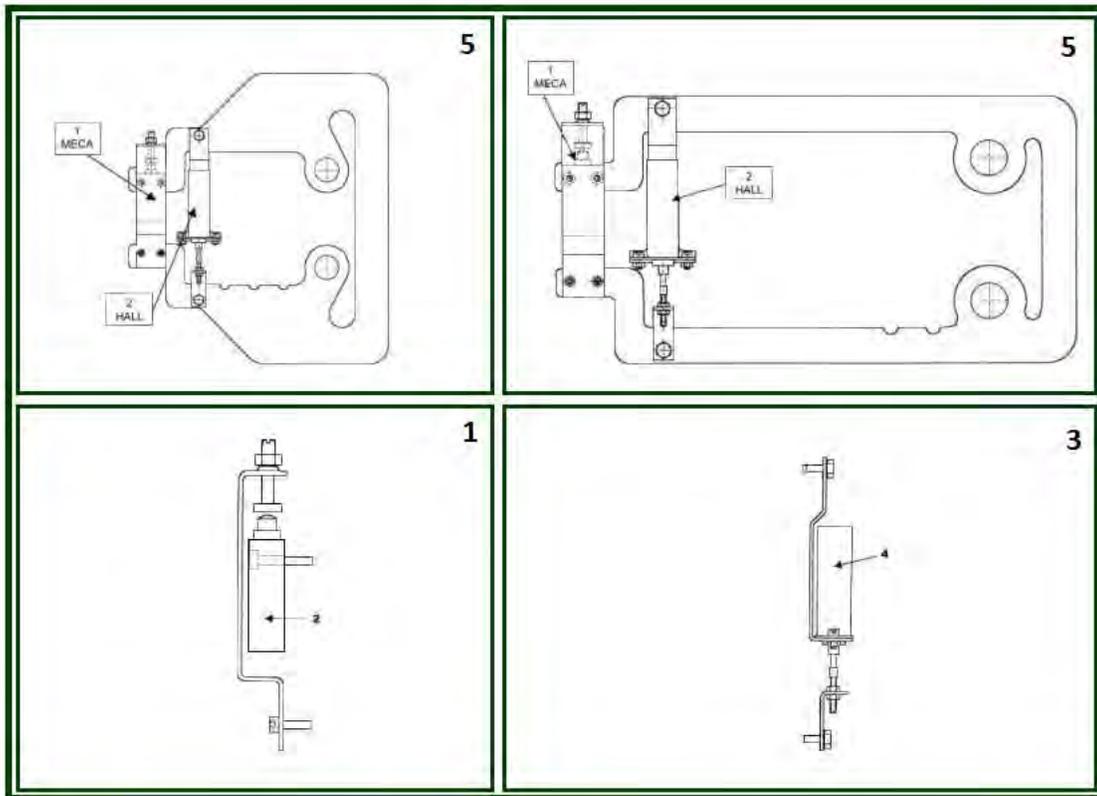
VS3 HPR / VS3 LHT

Type de palan	Charge kg	Type de ressort	Disposition	Nb.
Type of hoist	Load kg	Type of spring	Position	Pc.
VS302	1600	C	1 x 1 opposées	10
	2000 (3m)		2 x 2 opposées	
	2500 (2m)	B	1 x 1 opposées	
	3200 (1Am)			
VS304	3200	A	2 x 2 opposées	12
	4000 (3m)	C		
	5000 (2m)		B	
	6300 (1Am)	9		

VS3 HPR pour réducteur N / VS3 LHT for N type gearbox:

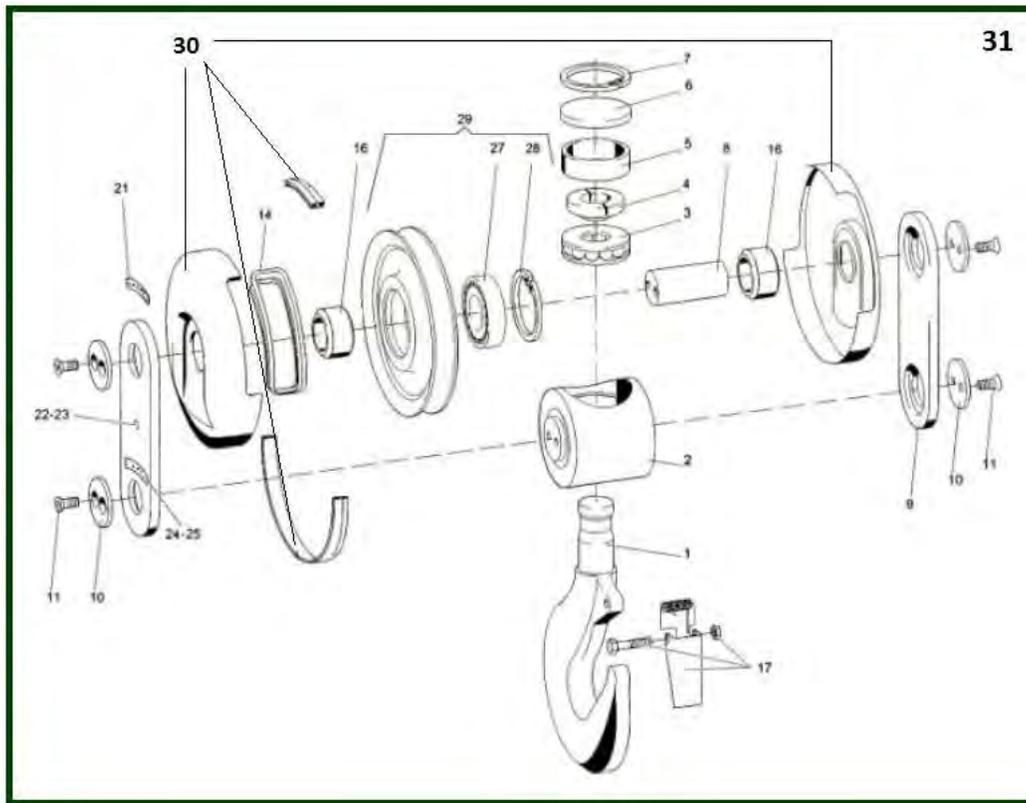
Type de palan	Charge kg	Type de ressort	Disposition	Nb.
Type of hoist	Load kg	Type of spring	Position	Pc.
VS 302	2000 (3m)	B	1 x 1 opposées	9
	2500 (2m)			8
	3200 (1Am)	A		9
VS 304	4000 (3m)	C	2 x 2 opposées	12
	5000 (2m)	B		
	6300 (1Am)			

## 16) Overload protection for VS306



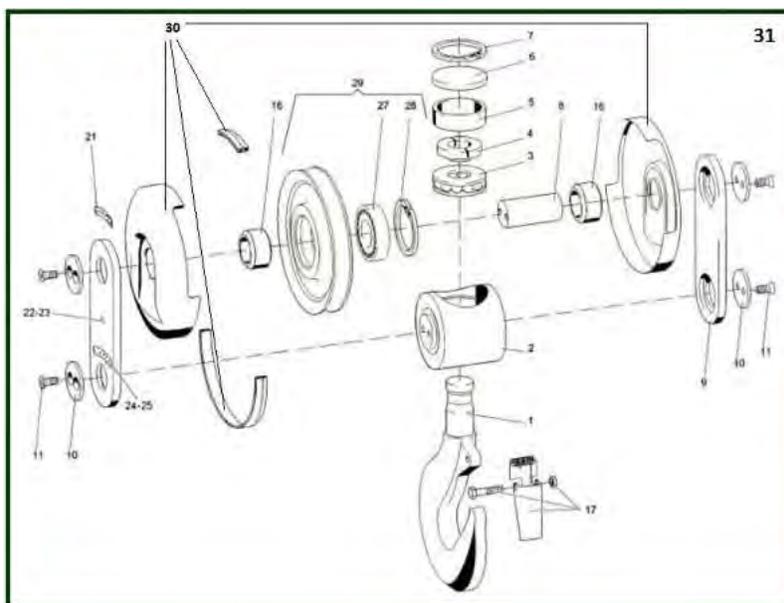
item	reference	description	observation	Quantity
1	<a href="#">1141550</a>	Mechanical sensor set	VS306/VS404/ 2/6	1
2	<a href="#">8111593</a>	Limit switch		1
3	<a href="#">1141520</a>	HALL sensor kit	VS306/VS404/ 2/6	1
4	<a href="#">LP20UFR10</a>	HALL sensor kit		1
5	<a href="#">VYLSH02A</a>	Complete HALL load limiter	Nous consulter / Please consult us	1
	<a href="#">VYLSHM2A</a>	Complete HALL + mechanical load limiter	Nous consulter / Please consult us	1
	<a href="#">VYLSM02A</a>	Mechanical load limiter	Nous consulter / Please consult us	1

## 17) Lifting hook - 2 roped - 1Am



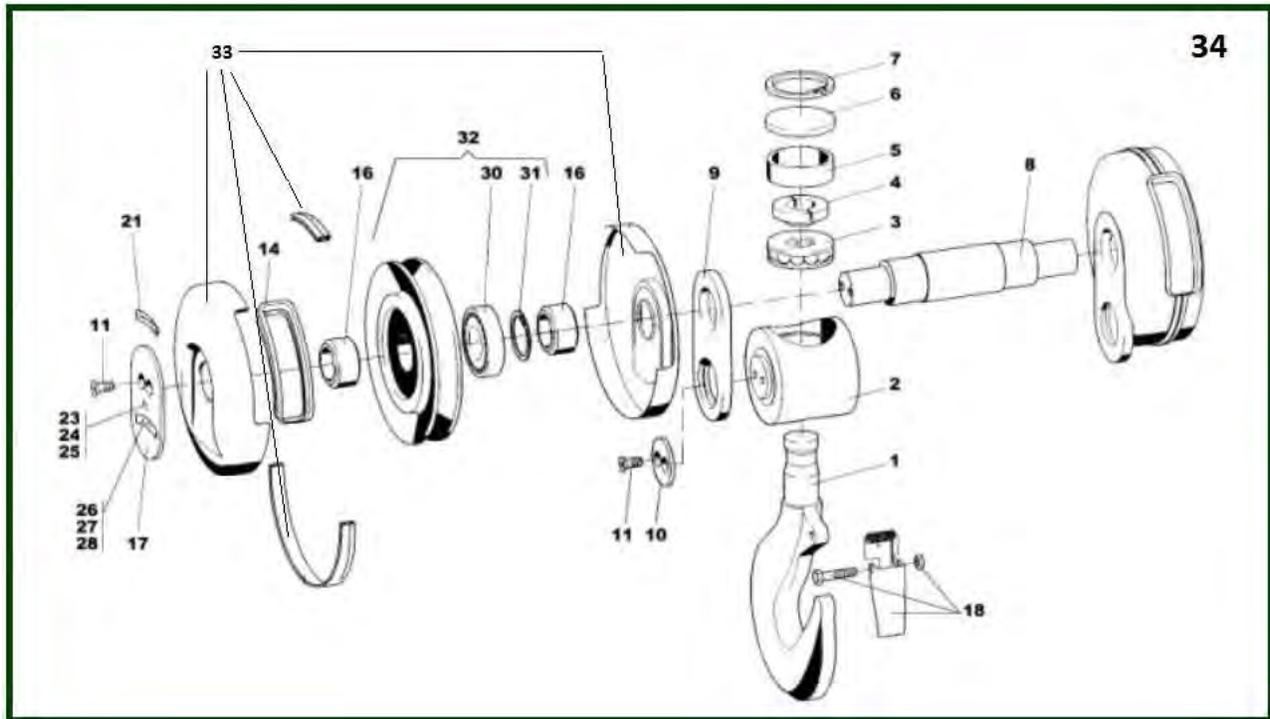
item	reference	description	observation	Quantity
1	<a href="#">1112001</a>	Hook		1
2	<a href="#">1112004</a>	Beam		1
3	<a href="#">7431062S</a>	Thrust bearing		1
4	<a href="#">1112019</a>	Locking parts		1
5	<a href="#">1112018</a>	Safety ring		1
6	<a href="#">1112005</a>	Beam cover		1
7	<a href="#">7261060G</a>	Circlip		1
8	<a href="#">1112012</a>	Pulley shaft		1
9	<a href="#">1132035</a>	Flat bar		2
10	<a href="#">1112016</a>	Plate		4
11	<a href="#">7216403S</a>	Screw		8
14	<a href="#">1132009</a>	Rope shield		2
16	<a href="#">1132031</a>	Bushing		2
17	<a href="#">23233003</a>	Safety latch N°1	RSN08	1
17	<a href="#">52315930</a>	Safety latch plate type	Après / After 06/99	1
21	<a href="#">1112040</a>	Stickers	« VERLINDE »	2
22	<a href="#">1112051</a>	Stickers	« FEM 1Am »	2
24	<a href="#">1122064</a>	Stickers	« 2.5 t »	2
25	<a href="#">1122065</a>	Stickers	« 3.2 t »	2
27	<a href="#">8130070</a>	Bearing		1
28	<a href="#">8130085</a>	Circlip		1
29	<a href="#">1132520</a>	Pulley with bearing	15+30+31	1
30	<a href="#">1132086</a>	Hook cover kit	Demi-coquilles + Joints profilés / Cover + Sealing profile	1
31	<a href="#">1132000</a>	Complete hook block		1

## 18) Lifting hook - 2 falls - 2/3M



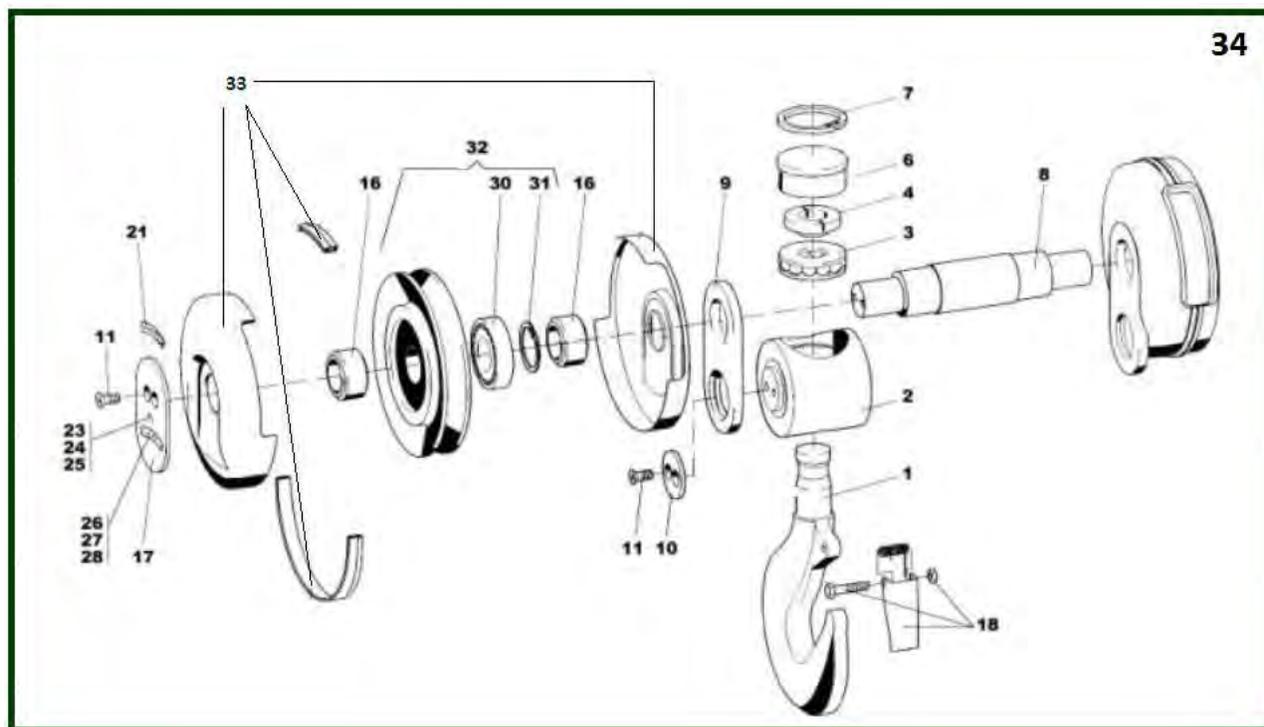
item	reference	description	observation	Quantity
1	<a href="#">1132001</a>	Complete hook block n°2.5		1
2	<a href="#">1122004</a>	Beam		1
3	<a href="#">8130071</a>	Thrust bearing		1
4	<a href="#">1132019</a>	Locking parts		1
5	<a href="#">1132018</a>	Safety ring		1
6	<a href="#">1132005</a>	Beam cover		1
7	<a href="#">7261070T</a>	Circlip		1
8	<a href="#">1132012</a>	Pulley shaft		1
9	<a href="#">1132135</a>	Flat bar		2
10	<a href="#">1112016</a>	Plate		4
11	<a href="#">7216403S</a>	Screw		8
16	<a href="#">1132131</a>	Bushing		2
17	<a href="#">33233003</a>	Safety catch N°2.5		1
17	<a href="#">52315931</a>	Safety catch plate type N°2.5	Après / After 06/99	1
21	<a href="#">1112040</a>	Stickers	« VERLINDE »	2
22	<a href="#">1112052</a>	Stickers	« FEM 2m »	2
23	<a href="#">1112053</a>	Stickers	« FEM 3m »	2
24	<a href="#">1122062</a>	Stickers	« 1.6 t »	2
25	<a href="#">1122063</a>	Stickers	« 2 t »	2
26	<a href="#">1122064</a>	Stickers	« 2.5 t »	2
27	<a href="#">8130072</a>	Bearing		1
28	<a href="#">8130086</a>	Circlip		1
29	<a href="#">1132620</a>	Pulley with bearing - Ø 265	15+30+31	1
30	<a href="#">1132186</a>	Hook cover kit	Demi-coquilles + Joints profilés / Cover + Sealing profile	1
31	<a href="#">1132100</a>	Complete hook block		1

## 19) Lifting hook - 4 falls - 1 Am



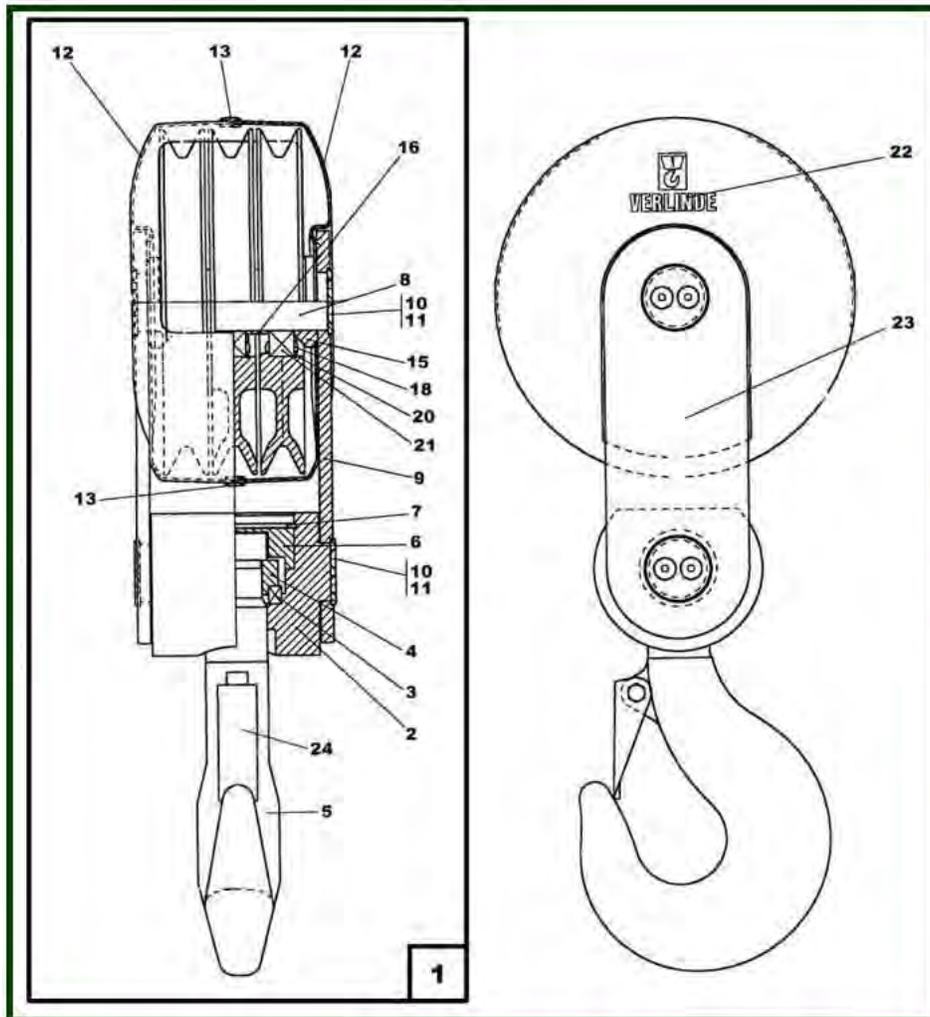
item	reference	description	observation	Quantity
1	<a href="#">1132001</a>	Complete hook block n°2.5		1
2	<a href="#">1122004</a>	Beam		1
3	<a href="#">8130071</a>	Thrust bearing		1
4	<a href="#">1132019</a>	Locking parts		1
5	<a href="#">1132018</a>	Safety ring		1
6	<a href="#">1132005</a>	Beam cover		1
7	<a href="#">7261070T</a>	Circlip		1
8	<a href="#">1132013</a>	Shaft		1
9	<a href="#">1132036</a>	Flat bar		2
10	<a href="#">1112016</a>	Plate		2
11	<a href="#">7216403S</a>	Screw		8
14	<a href="#">1132009</a>	Rope shield		4
16	<a href="#">1132031</a>	Bushing		1
17	<a href="#">1132017</a>	Plate		1
18	<a href="#">33233003</a>	Safety catch N°2.5		1
18	<a href="#">52315931</a>	Safety catch plate type N°2.5	Après / After 06/99	1
21	<a href="#">1112040</a>	Stickers	« VERLINDE »	2
23	<a href="#">1112051</a>	Stickers	« FEM 1Am »	2
24	<a href="#">1112052</a>	Stickers	« FEM 2m »	2
25	<a href="#">1112053</a>	Stickers	« FEM 3m »	2
26	<a href="#">1132071</a>	Stickers	« 5 t »	2
27	<a href="#">1132072</a>	Stickers	« 6.3 t »	2
30	<a href="#">8130070</a>	Bearing		2
31	<a href="#">8130085</a>	Circlip		2
32	<a href="#">1132520</a>	Pulley with bearing	15+30+31	2
33	<a href="#">1132086</a>	Hook cover kit	Demi-coquilles + Joints profilés / Cover + Sealing profile	2
34	<a href="#">1132002</a>	Complete hook block		1

## 20) Lifting hook - 4 roped - 2/3M



item	reference	description	observation	Quantity
1	<a href="#">1132101</a>	Complete hook RSN4	IAM-2/3AM Crochet + Linguet tôle / Hook + Steel plate safety latch	1
2	<a href="#">1132104</a>	Beam		1
3	<a href="#">8150071</a>	Thrust bearing		1
4	<a href="#">1132119</a>	Locking parts		1
6	<a href="#">1132105</a>	Beam cover		1
7	<a href="#">400080</a>	Retaining ring for bore - Ø 90x3		1
8	<a href="#">1132113</a>	Pulley shaft		1
9	<a href="#">1132136</a>	Flat bar		2
10	<a href="#">1132116</a>	Locking plate		2
11	<a href="#">7216403S</a>	Screw		8
16	<a href="#">1132131</a>	Bushing		2
17	<a href="#">1132117</a>	Plate		2
18	<a href="#">33433003</a>	Safety latch n°4		1
18	<a href="#">52315932</a>	Safety latch plate type n°4	Après / After 06/99	1
21	<a href="#">1112040</a>	Stickers	« VERLINDE »	2
23	<a href="#">1112051</a>	Stickers	« FEM 1Am »	2
24	<a href="#">1112052</a>	Stickers	« FEM 2m »	2
25	<a href="#">1112053</a>	Stickers	« FEM 3m »	2
26	<a href="#">1122065</a>	Stickers	« 3.2 t »	2
27	<a href="#">1122066</a>	Stickers	« 4 t »	2
28	<a href="#">1132071</a>	Stickers	« 5 t »	2
30	<a href="#">8130072</a>	Bearing		2
31	<a href="#">8130086</a>	Circlip		2
32	<a href="#">1132620</a>	Pulley with bearing - Ø 265	15+30+31	2
33	<a href="#">1132186</a>	Hook cover kit	Demi-coquilles + Joints profilés / Cover + Sealing profile	2
34	<a href="#">1132102</a>	Complete hook block		1

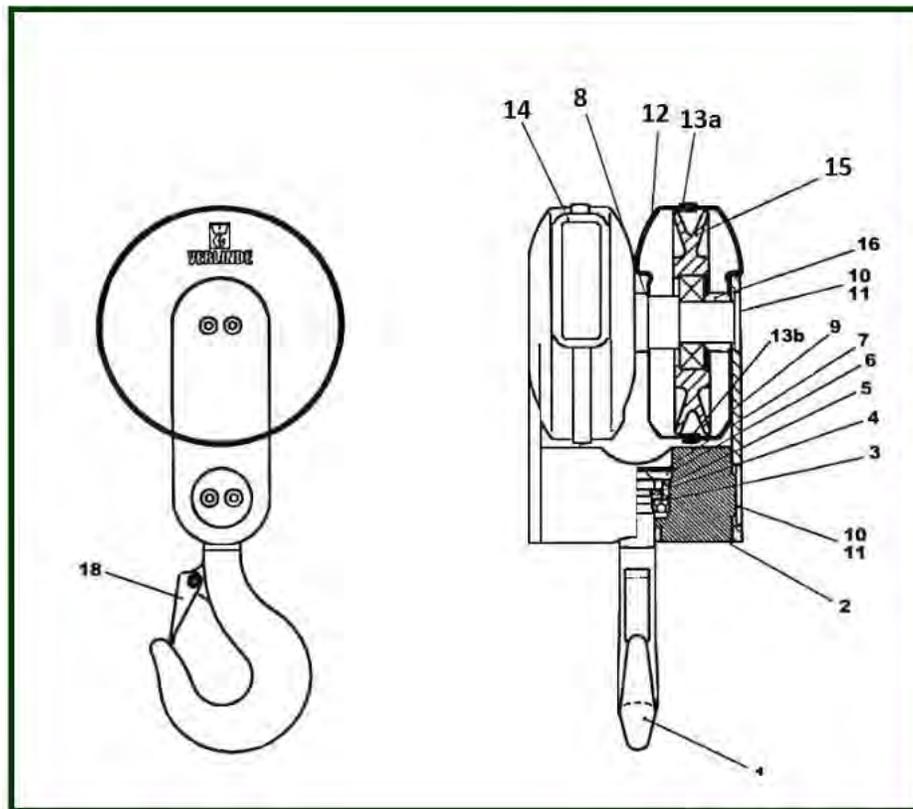
## 21) Lifting hook - 6 roped



item	reference	description	observation	Quantity
1	<a href="#">V3A6000A</a>	Complete hook block		1
2	<a href="#">V3HA601A</a>	Hook block body		1
3	<a href="#">8150071</a>	Thrust bearing		1
4	<a href="#">1132119</a>	Locking parts		1
5	<a href="#">1132101</a>	Complete hook RSN4	1AM-2/3AM Crochet + Linguet tôle / Hook + Steel plate safety latch	1
6	<a href="#">1132105</a>	Beam cover		1
7	<a href="#">400080</a>	Retaining ring for bore - Ø 90x3		1
8	<a href="#">V3HA602A</a>	Pulley axle		1
9	<a href="#">V3HA603A</a>	Flat bar		2
10	<a href="#">1112016</a>	Plate		1
11	<a href="#">7216403S</a>	Screw		8
12	<a href="#">V3HA641A</a>	Pulley cover with joining part		1
12	<a href="#">V3HA642A</a>	Pulley cover without joining part		1
13	<a href="#">1132107</a>	Seal shell halves	Lg 80	1
13	<a href="#">1132108</a>	Seal shell halves	Lg 347	1
15	<a href="#">V3HA605A</a>	Pulley bush		2
16	<a href="#">V3HA607A</a>	Pulley bush		2

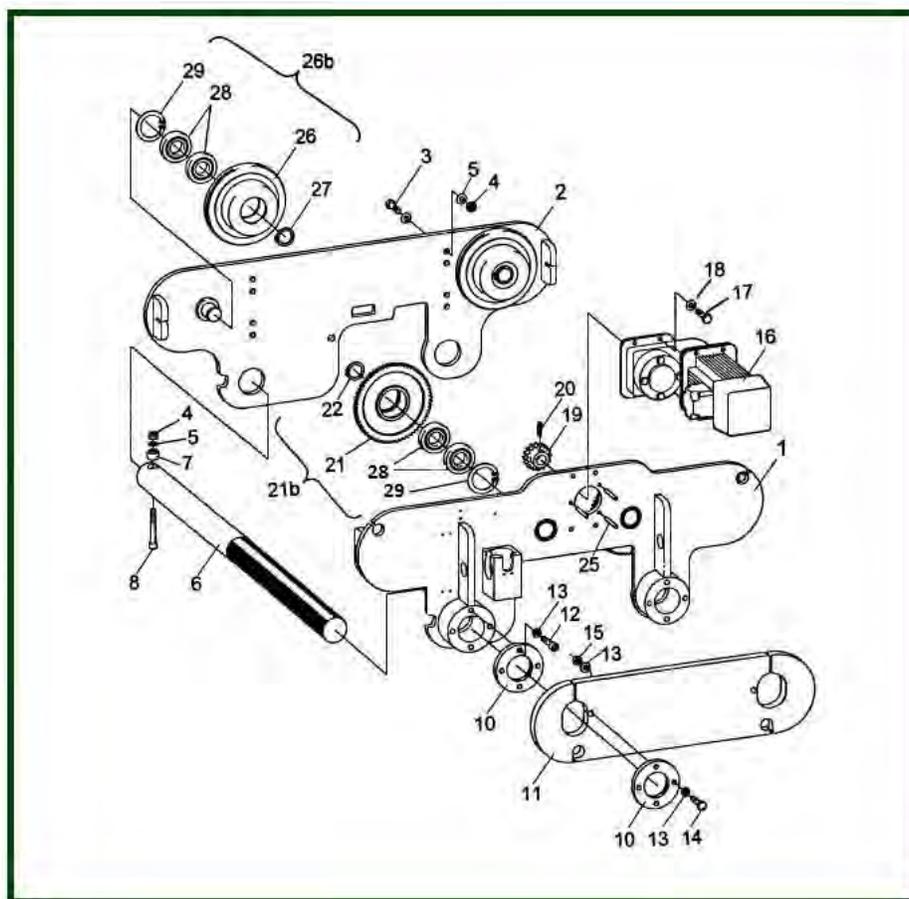
17	<u>85846002</u>	Washer		1
18	<u>7446209F</u>	Ring		6
20	<u>8130086</u>	Circlip		3
21	<u>8130072</u>	Bearing		3
22	<u>1112040</u>	Stickers	« VERLINDE »	2
23	<u>1112051</u>	Stickers	« FEM 1Am »	2
23	<u>1112052</u>	Stickers	« FEM 2m »	2
23	<u>1112053</u>	Stickers	« FEM 3m »	2
24	<u>33433003</u>	Safety latch n°4		1
24	<u>52315932</u>	Safety latch plate type n°4	Après / After 06/99	1
25	<u>1132620</u>	Pulley with bearing - Ø 265	15+30+31	3

## 22) True vertical lifting hook - 4/2 roped - Cable 7mm



item	reference	description	observation	Quantity
1	<a href="#">1112001</a>	Hook		1
2	<a href="#">VS30207A</a>	Beam		1
3	<a href="#">7431062S</a>	Thrust bearing		1
4	<a href="#">1112019</a>	Locking parts		1
5	<a href="#">1112018</a>	Safety ring		1
6	<a href="#">1112005</a>	Beam cover		1
7	<a href="#">7261060G</a>	Circlip		1
8	<a href="#">VS30208A</a>	Shaft		1
9	<a href="#">1132035</a>	Flat bar		2
11	<a href="#">7216403S</a>	Screw		8
14	<a href="#">1132009</a>	Rope shield		4
15	<a href="#">1122620</a>	Pulley with bearing	2M/3M - Roulement + Circlips intérieur Ø 80 / Bearing + Circlips Ø 80	2
16	<a href="#">1122031</a>	Bushing		2
17	<a href="#">1112016</a>	Plate		2
18	<a href="#">23233003</a>	Safety latch N°1	RSN08	1
18	<a href="#">52315930</a>	Safety latch plate type	Après / After 06/99	1
-	<a href="#">VS30206A</a>	Complete hook block 4/2	VS3042...	1
-	<a href="#">1132086</a>	Hook cover kit	Demi-coquilles + Joints profilés / Cover + Sealing profile	2
-	<a href="#">1112051</a>	Stickers	« FEM 1Am »	2
-	<a href="#">1112052</a>	Stickers	« FEM 2m »	2
-	<a href="#">1112053</a>	Stickers	« FEM 3m »	2
-	<a href="#">1112040</a>	Stickers	« VERLINDE »	2

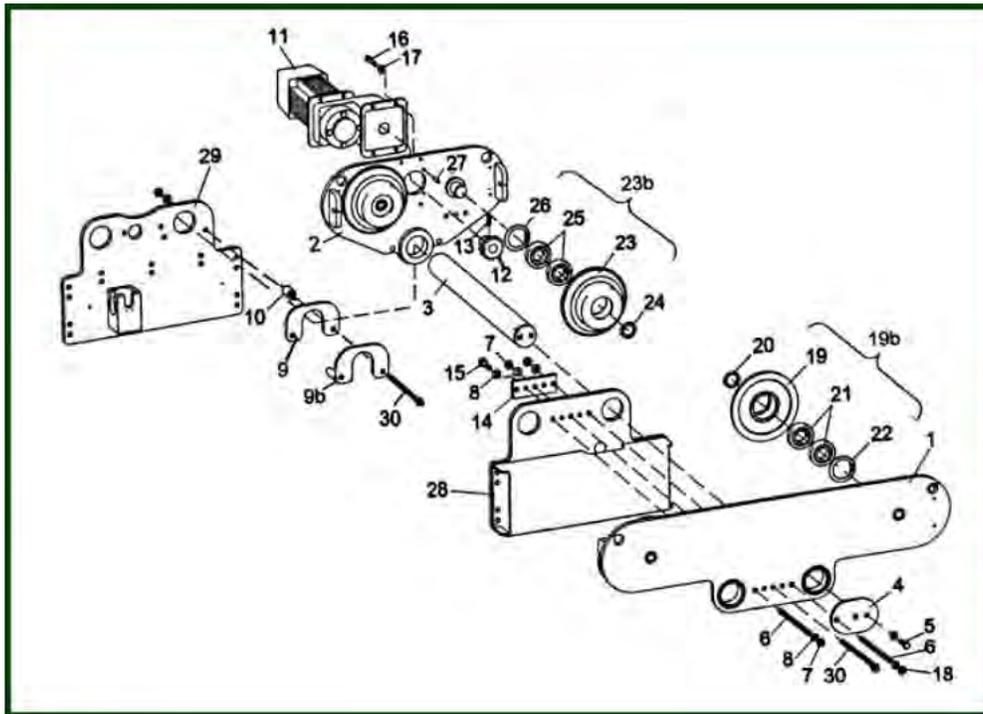
## 23) Low Headroom Trolley - LHT



item	reference	description	observation	Quantity
1	<a href="#">1133514</a>	Side plate for LHT hoist - Motor side	* XS2-VS2/VS3..R..A	1
1	<a href="#">1133614</a>	Side plate for LHT hoist - Motor side	* XS2-VS2/VS3..R..C	1
2	<a href="#">1133611</a>	Side plate for LHT hoist - Idle side	XS2 - VS202...R..C - VS204...R..C	1
2	<a href="#">1133511</a>	Side plate - LHT	XS2 - VS202...R..A - XS3 - VS302...R..A - VS304...R..A	1
3	<a href="#">8110042</a>	Fixing screw set		4
4	<a href="#">8113533</a>	Durlock Nut		12
5	<a href="#">7231202C</a>	Washer		8
6	<a href="#">1133541</a>	Threaded bar		2
7	<a href="#">1133542</a>	Bushing		4
8	<a href="#">830941</a>	CHC screws 10 x 60	* XS2-VS2... A et C (qty 4) - VS2..R..O (VSX) (qty 2)	4
10	<a href="#">1133543</a>	Tie rod nut		4
11	<a href="#">1133548</a>	Counterweight	* XS2-VS2/VS3..R..A	2
11	<a href="#">1133648</a>	Counterweight	* XS2-VS2/VS3..R..C	2
12	<a href="#">830211</a>	HM screw	PRC2/3	4
13	<a href="#">7232080G</a>	GROWER washer - Ø 8		6
14	<a href="#">7211462W</a>	Screws		2
15	<a href="#">831504</a>	Brake washer AZ M8	VS4...B...D - VS5.....D/E	2
16	<a href="#">Voir/see pages 72/75</a>	Travelling motorgear	GS2..RPD+MF07	1
17	<a href="#">8011045</a>	Screws		4
18	<a href="#">7232100D</a>	GROWER washer M10	DIN12 Standard - Frein automatique/Automatic brake	4

19	<u>1113532</u>	Drive wheel - 19 th		1
20	<u>7273458H</u>	Pin		1
21b	<u>1133508</u>	Gear travel wheel	Chariot 1 GMR (2) - Chariot 2 GMR (4) - VB13 - Ø 125mm	1
25	<u>8110059</u>	Dowell		3
26b	<u>1133507</u>	Ungeared wheel	Chariot 1 GMR (2) - Chariot 2 GMR (4) - VB13 - Ø 125mm	1
27	<u>400078</u>	Exterior circlip Ø 35	C2	2
28	<u>8110081</u>	Bearing		4
29	<u>7261072V</u>	Circlip		2
-	<u>15038001</u>	Buffer	Tous types /All types	1
-	<u>1123517</u>	Buffer assy		1
-	<u>1133566</u>	Limit switch set (travel)		1
-	<u>7541312D</u>	Travel limit switch	C1-C2-C3	1

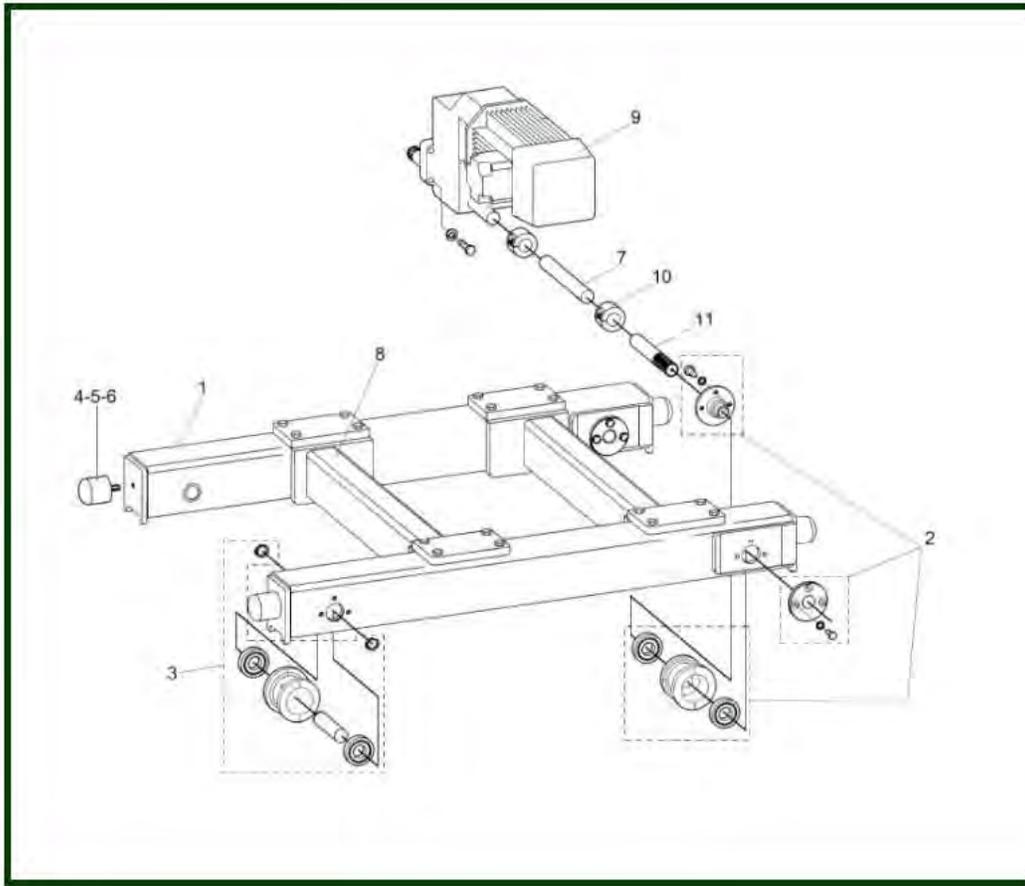
## 24) Normal Headroom Trolley - NHT



item	reference	description	observation	Quantity
1	<a href="#">1134621</a>	Idle trolley plate	VS2...N..C - VS3...N..C	1
1	<a href="#">1134521</a>	Opposite motor side plate only	VS2/VS3...N..A	1
2	<a href="#">1134531</a>	Side plate		1
3	<a href="#">1134541</a>	Tie rod		2
4	<a href="#">1134544</a>	Locking plate		2
5	<a href="#">830917</a>	Screw CHC 8 x 25	Moteur N3 - Vis à coller / Screw paste	4
6	<a href="#">1114503</a>	Threaded bar		2
8	<a href="#">7231122R</a>	Washer MU12		18
9	<a href="#">1134545</a>	Locking plate		1
9b	<a href="#">1134547</a>	Locking plate+bushing		1
10	<a href="#">1134511</a>	Bushing		2
11	<a href="#">Voir/see pages 72/75</a>	Travelling motorgear	GS2..RPD+MF07	1
12	<a href="#">1113532</a>	Drive wheel - 19 th		1
13	<a href="#">7273458H</a>	Pin		1
14	<a href="#">1134502</a>	Clamping date		1
15	<a href="#">830407</a>	Screw		2
16	<a href="#">8011550</a>	Screw		4
17	<a href="#">7232100D</a>	GROWER washer M10	DIN12 Standard - Frein automatique/Automatic brake	8
18	<a href="#">831594</a>	NYLSTOP nut - M12 - DIN985	PRC1	5
19b	<a href="#">1133507</a>	Ungeared wheel	Chariot 1 GMR (2) - Chariot 2 GMR (4) - VB13 - Ø 125mm	1
23b	<a href="#">1133508</a>	Geared travel wheel	Chariot 1 GMR (2) - Chariot 2 GMR (4) - VB13 - Ø 125mm	1
24	<a href="#">400078</a>	Exterior circlip Ø 35	C2	2
25	<a href="#">8110081</a>	Bearing		4
26	<a href="#">7261072V</a>	Circlip		2
27	<a href="#">8110059</a>	Dowell		3
28	<a href="#">1134614</a>	Side plate NHT	XS2-VS202...N..C - VS204...N..C	1

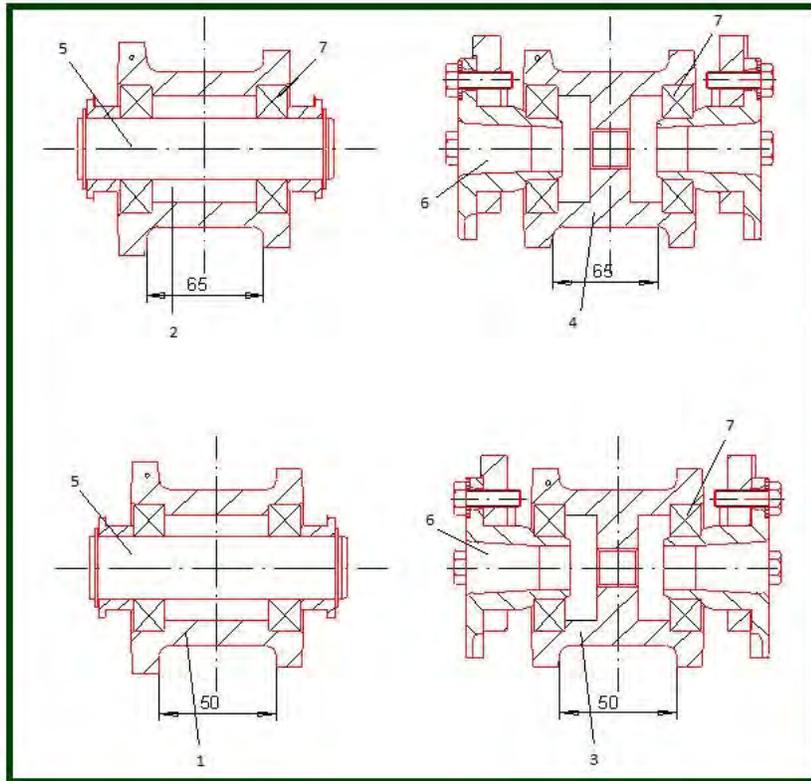
28	<u>1134514</u>	Side plate - NHT	VS2 N A - VS302...N..A VS304...N..A	1
29	<u>1134515</u>	Side plate - NHT	XS2 - VS2...N..A - XS3 - VS3...N..A	1
29	<u>1134615</u>	Welded side plate	XS2-VS2...N...C	1
30	<u>1114504</u>	Threaded bar		3
-	<u>1114525</u>	Limit switch assy (travel)		1
-	<u>7541312D</u>	Travel limit switch	C1-C2-C3	1

## 25) Birail trolley



item	reference	description	observation	Quantity
1	<a href="#">NCSVP9</a>	End carriage VP09	VS302..F	2
1	<a href="#">NCSVP11</a>	End carriage VP11	VS304..F	2
2	<a href="#">15503001</a>	Driving wheel set - ø 90 - G50	VS302..F - VS402 A partir / Since 1999	2
2	<a href="#">15503005</a>	Driving wheel set - ø 90 - G65	VS302..F - VS402 A partir / Since 1999	2
2	<a href="#">15803001</a>	Driving wheel set - ø 110 - G50	VP11 - VS304..F - VS402	2
2	<a href="#">15803005</a>	Driving wheel set - ø 110 - G65	VP11 - VS304..F - VS402	2
3	<a href="#">15503006</a>	Travel wheel set ø 90 - G65	VS202/VP9 - VS302..F - VS402 A partir / Since 1999	2
3	<a href="#">15503003</a>	Travel wheel set - ø 90 - G50	VS202/VP9 - VS302..F - VS402 A partir / Since 1999	2
3	<a href="#">15803003</a>	Travel wheel set - ø 110 - G50	VS402 / VP11 - VS204	2
3	<a href="#">15803006</a>	Travel wheel set - ø 110 - G65	VS402 / VP11 - VS204	2
7	<a href="#">NCA</a>	Spline shaft		1
8	<a href="#">NCT</a>	Beam set		2
9	<a href="#">See travelling motorgear</a>	Travelling motorgear	GS2..RPD+MF07	1
10	<a href="#">1137231</a>	Coupling	VS402< 25mn	2
11	<a href="#">1137230</a>	Splined shaft	VS402< 25mn	1
4 5 6	<a href="#">15503007</a>	Buffer set		4

## 26) Wheel set VP09 and VP11



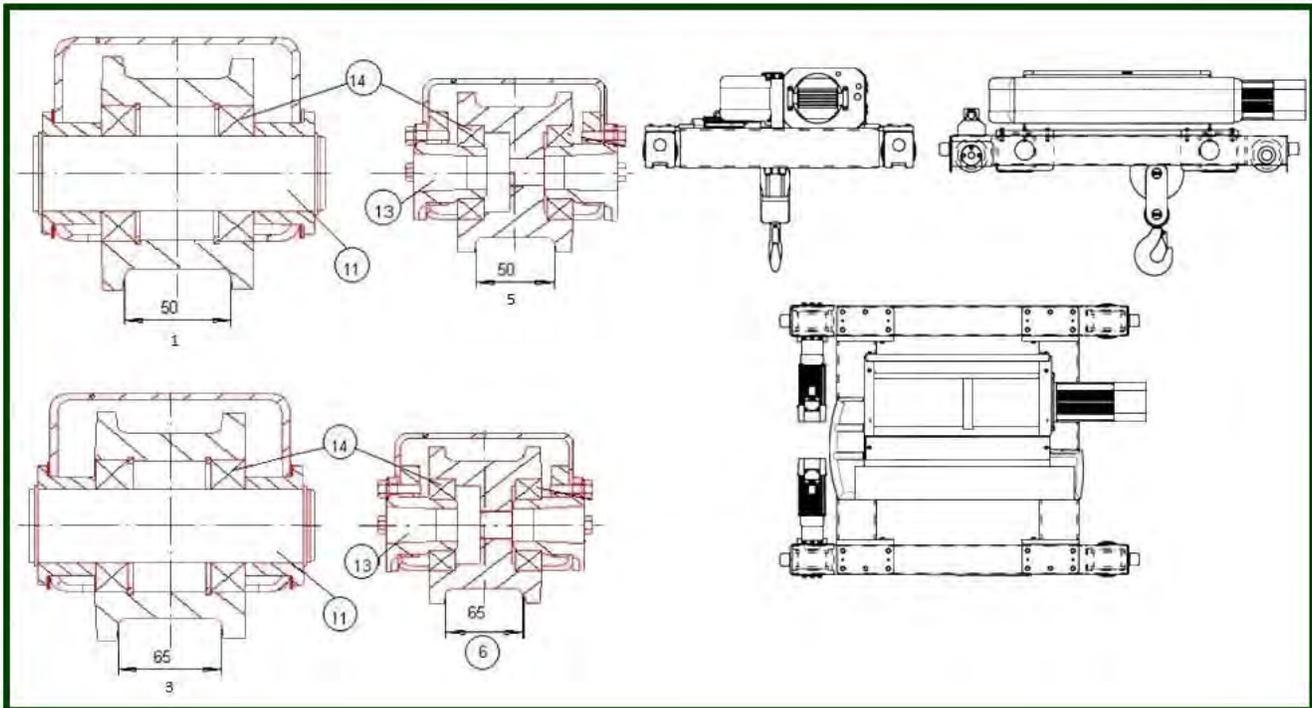
## 26.1) VP09 wheel set

<b>item</b>	<b>reference</b>	<b>description</b>	<b>observation</b>	<b>Quantity</b>
1	<u>15503003</u>	Travel wheel set - ø 90 - G50	VS202/VP9 - VS302..F - VS402 A partir / Since 1999	1
2	<u>15503006</u>	Travel wheel set ø 90 - G65	VS202/VP9 - VS302..F - VS402 A partir / Since 1999	1
3	<u>15503001</u>	Driving wheel set - ø 90 -G50	VS302..F - VS402 A partir / Since 1999	1
4	<u>15503005</u>	Driving wheel set - ø 90 - G65	VS302..F - VS402 A partir / Since 1999	1
5	<u>15503004</u>	Complete shaft travel wheel	VP9	1
6	<u>15503002</u>	Bearling-flange set	VP9-VS302	1
7	<u>7412072A</u>	Complete bearing	VP9-VS302	2

## 26.2) VP11 wheel set

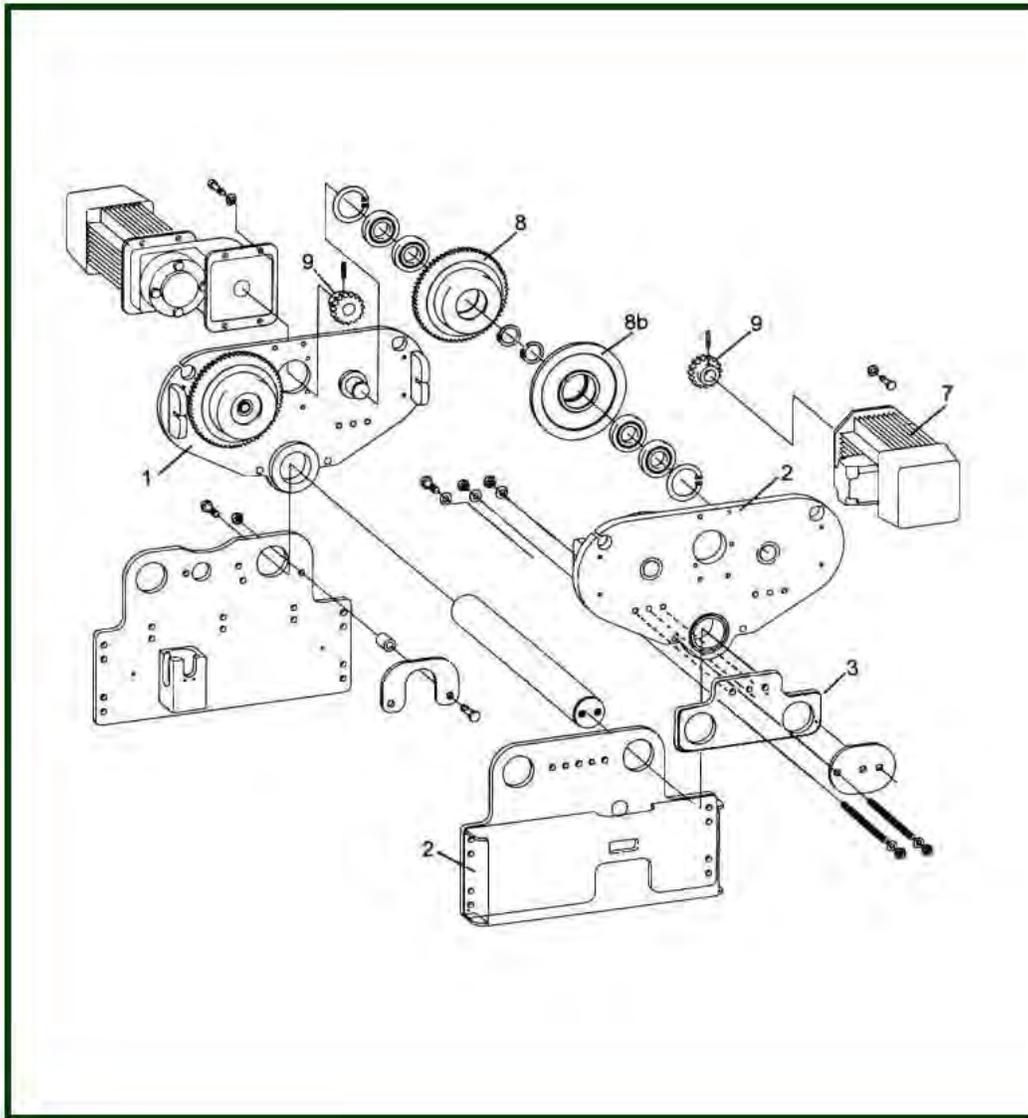
<b>item</b>	<b>reference</b>	<b>description</b>	<b>observation</b>	<b>Quantity</b>
1	<u>15803003</u>	Travel wheel set - ø 110 - G50	VS402 / VP11 - VS204	1
2	<u>15803006</u>	Travel wheel set - ø 110 - G65	VS402 / VP11 - VS204	1
3	<u>15803001</u>	Driving wheel set - ø 110 - G50	VP11 - VS304..F - VS402	1
4	<u>15803005</u>	Driving wheel set - ø 110 - G65	VP11 - VS304..F - VS402	1
5	<u>15803004</u>	Shaft travel wheel	VP11 - VS304 - VS402	1
6	<u>15803002</u>	Bearling-flangeset	VP11 - VS304 - VS402	1
7	<u>7413082Y</u>	Bearing	VP11 - VS304	2

## 27) Birail trolley for VS306



item	reference	description	observation	Quantity
1	<a href="#">25803003</a>	Travel wheel set - ø 140 - G50	VS404 / VP14 VS502 VS504 < 16T	1
3	<a href="#">25803006</a>	Travel wheel set - ø 140 - G65	VS404 / VP14 VS502 VS504 < 16T	1
5	<a href="#">25803001</a>	Driving wheel set - ø 140 - G50	VS404 / VP14 - VS502 VS504 < 16T	1
6	<a href="#">25803005</a>	Driving wheel set - ø 140 - G65	VS404 / VP14 - VS502 VS504 < 16T	1
11	<a href="#">25803007</a>	Shaft travel wheel	VP14 - VS404 - VS502 - VS504 < 16T	1
13	<a href="#">25803002</a>	Bearing flange set	VP14 - VS404 - VS502 - VS504 < 16T	1
14	<a href="#">7412112U</a>	Bearing compl.	VP14 - VS404 - VS502 - VS504 < 16T	1

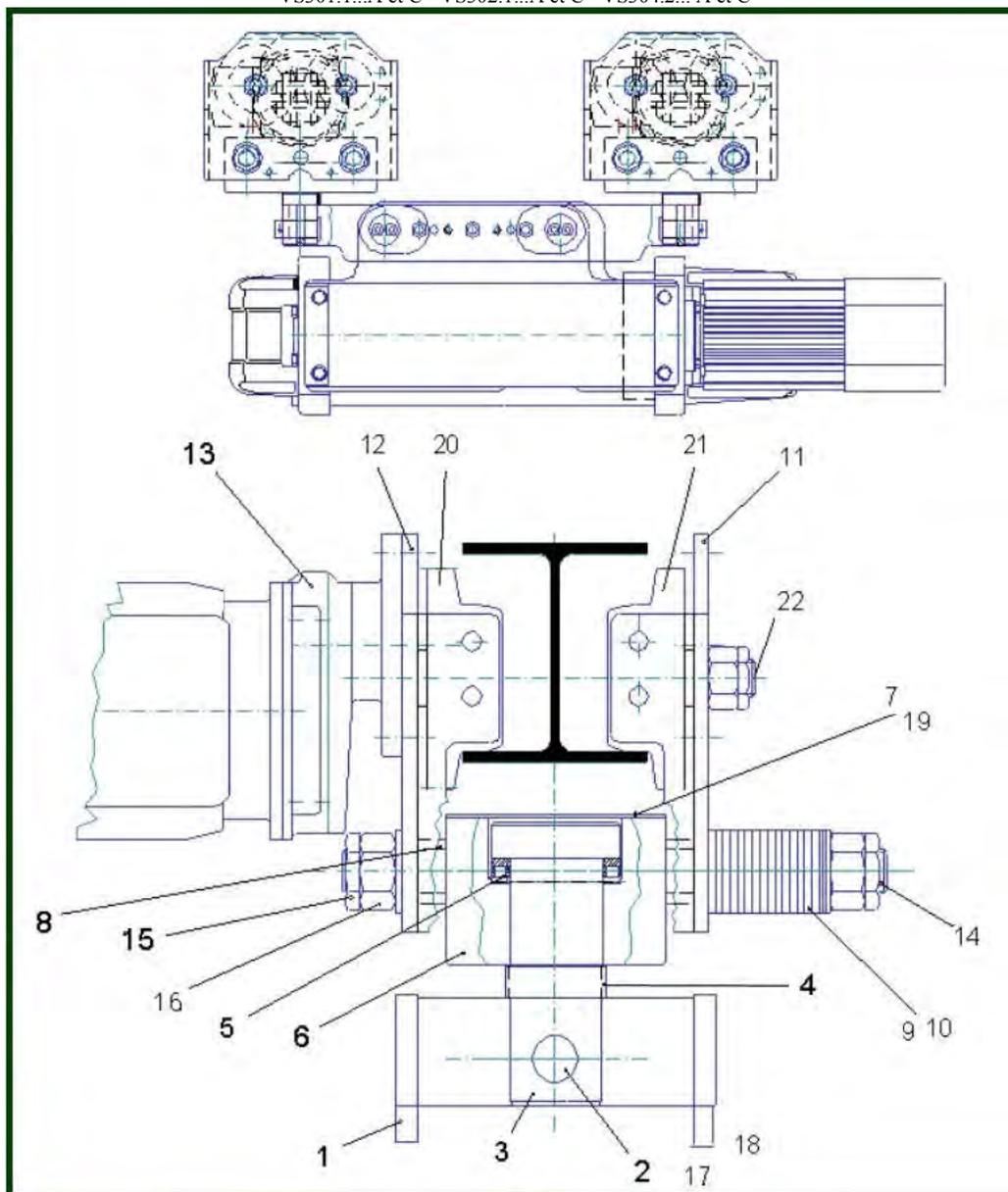
## 28) Compact Normal Headroom Trolley



item	reference	description	observation	Quantity
1 & 2	<a href="#">1134531</a>	Side plate		1
3	<a href="#">V2RAB06A</a>	Non pivoting plate		2
7	<a href="#">NCVP14</a>	Travelling motorgear	GS2..RPC+MF07 > 20 m/min	1
8	<a href="#">1133508</a>	Geared travel wheel	Chariot 1 GMR (2) - Chariot 2 GMR (4) - VB13 - Ø 125mm	2
8b	<a href="#">1133507</a>	Ungear wheel	Chariot 1 GMR (2) - Chariot 2 GMR (4) - VB13 - Ø 125mm	2
9	<a href="#">1113532</a>	Drive wheel - 19 th		1

## 29) Boggie type trolley (NHT)

VS301.1...A et C - VS302.1...A et C - VS304.2... A et C

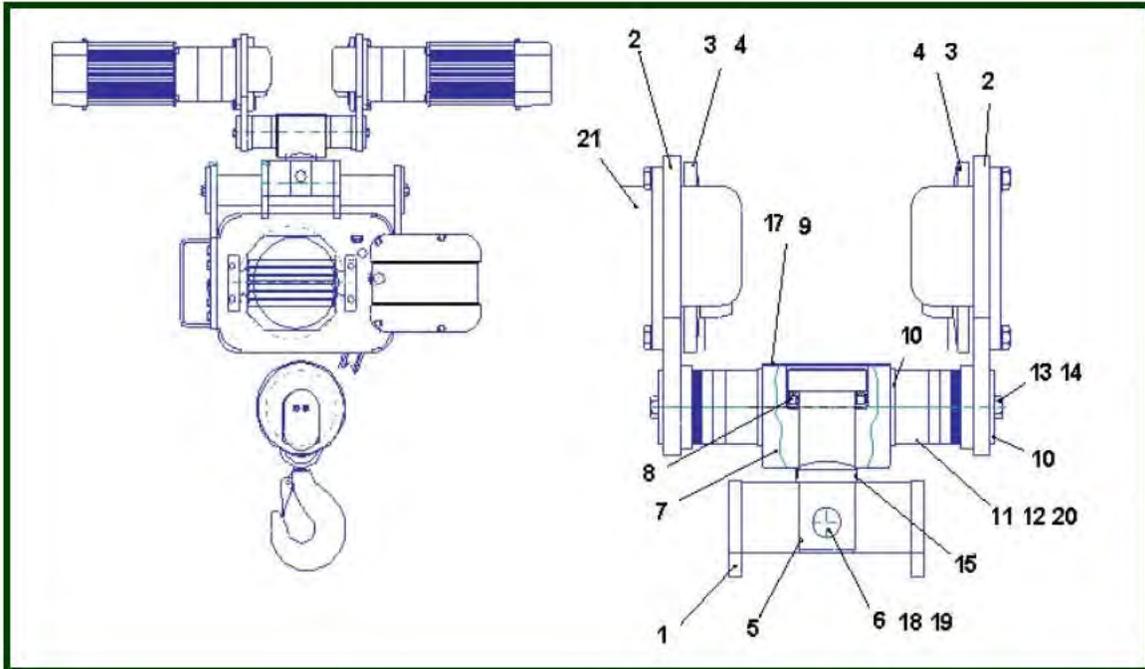


item	reference	description	observation	Quantity
1	<a href="#">V2RAB02A</a>	Beam		1
2	<a href="#">1143515</a>	Pivot shaft		2
3	<a href="#">1139002</a>	Pivoting shaft		2
4	<a href="#">V1RAB21A</a>	Stabilizing washer		2
5	<a href="#">V1RAB22A</a>	Swivel pin square		2
6	<a href="#">51110</a>	Thrust ball bearing		2
7	<a href="#">1139005</a>	Cover		2
8	<a href="#">558968</a>	Spacer tube	C2 - Court/Short & Long	8
9	<a href="#">832112</a>	Washers M24 - 4mm	C2	124
11	<a href="#">558910</a>	Side plate (free) modul		2
12	<a href="#">558911</a>	Side plate (drive) motor	C2	2
13	<a href="#">558986</a>	Gearmotor LS71 11/3 m/mn - 0,12/0.03KW	C1-C2-C3 Plus fourni / Not supplied anymore	2

13	<u>558985</u>	Gearmotor LS71 20/5 m/mn - 0,25/0,06KW	C2-C3 Plus fourni / Not supplied anymore	2
14	<u>558963</u>	Tie rod - 260 mm	C2	4
14	<u>558964</u>	Tie rod - 325 mm	C2	4
14	<u>558965</u>	Tie rod - 390 mm	C2	4
15	<u>831576</u>	PAL nut M24	C2	8
16	<u>831540</u>	Nut H M24	CE - XB	8
17	<u>8150095</u>	Split pin		4
18	<u>832113</u>	Washers M24 - 2mm	C2	4
19	<u>7211151H</u>	Screw		8
20	<u>558919</u>	Driving wheel without shaft	C2 - Ø 80x120 mm	4
21	<u>558918</u>	Ungeared wheel	C2 - Ø 80x120 mm	4
22	<u>558915</u>	Wheel shaft	C2 - Jusqu'en 1999 / until 1999	8
23	<u>1144505</u>	Bar	Lg 250	3
24	<u>8113532</u>	M12 nut		12

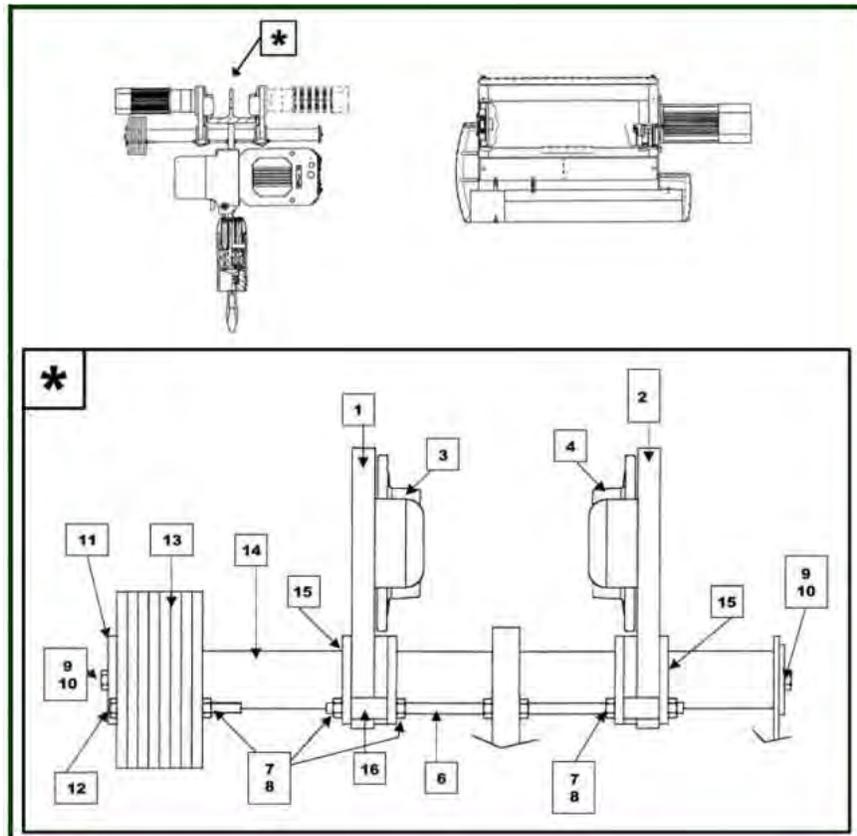
### 30) Boggie type trolley NHT

VS304.1...A et C



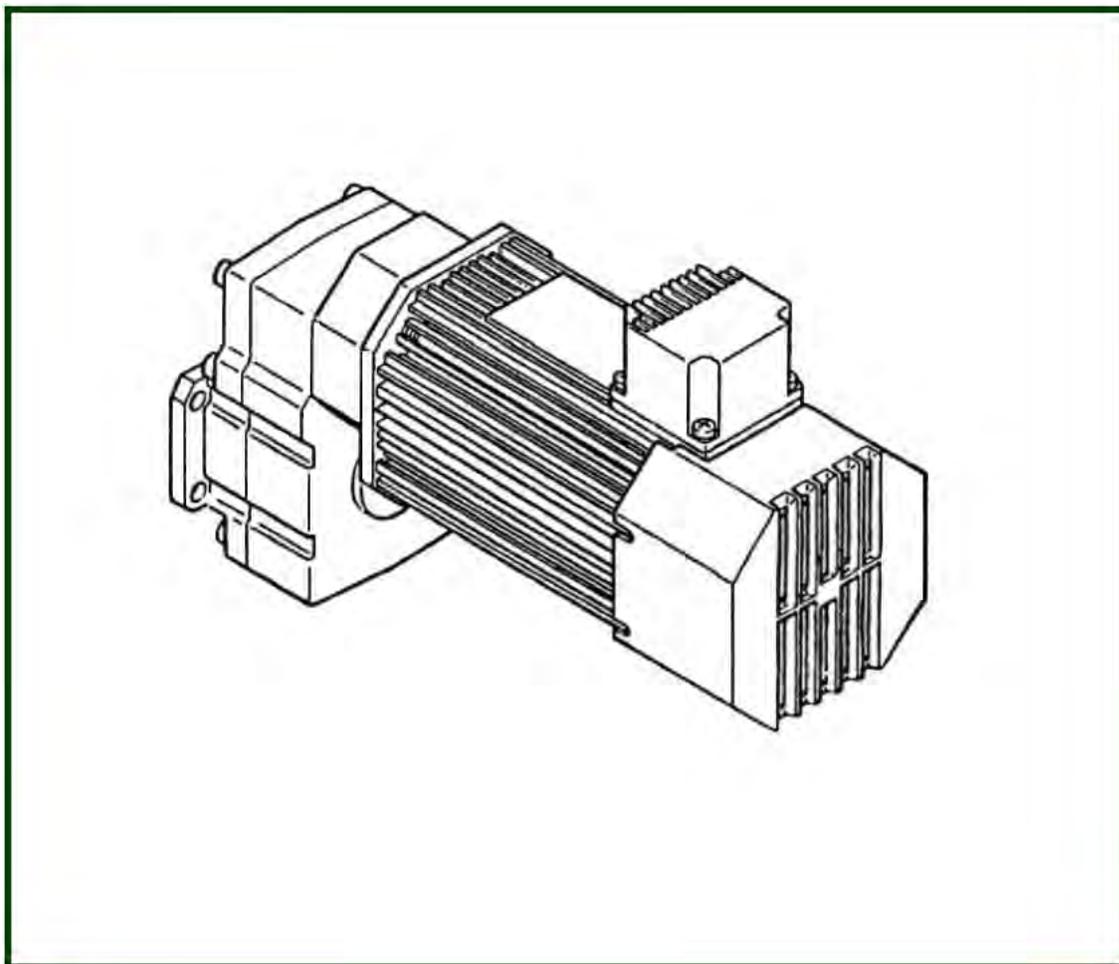
item	reference	description	observation	Quantity
1	<a href="#">V2RAB02A</a>	Beam		1
2	<a href="#">1114531</a>	Motor side plate		2
3	<a href="#">1113508</a>	Driving wheel set - Ø 100	VB10D:100mm - VB10D - VS2..R..O (VSX) 2 roulements + 1 circlip + 1 galet moteur 2 Bearings + 1 circlip + 1 geared wheel	4
4	<a href="#">1113507</a>	Idle wheel set - Ø 100	VB10D:100mm - VB10D - VS2..R..O (VSX) 2 roulements + 1 circlip + 1 galet porteur 2 Bearings + 1 circlip + 1 geared wheel	4
5	<a href="#">1139002</a>	Pivoting shaft		2
6	<a href="#">1143515</a>	Pivot shaft		2
7	<a href="#">1139003</a>	Pivot tie rod		2
8	<a href="#">51110</a>	Thrust ball bearing		2
9	<a href="#">1139005</a>	Cover		2
10	<a href="#">1139006</a>	End washer		4
11	<a href="#">1139108</a>	Sleeve - th. 30		4
12	<a href="#">1139007</a>	Adjustement sleeve		40
13	<a href="#">830205</a>	Securing screw for brake bar HM 8 x 25		8
14	<a href="#">7232081H</a>	Washer		8
15	<a href="#">V1RAB17A</a>	Stabilizing washer		2
16	<a href="#">1139008</a>	Sleeve - th. 10		8
17	<a href="#">7211151H</a>	Screw		8
18	<a href="#">8150095</a>	Split pin		4
19	<a href="#">832113</a>	Washers M24 - 2mm	C2	4
20	<a href="#">V1RAB07A</a>	Washer	Ep. / Th. 4	4
21	<a href="#">Voir/see pages 72/75</a>	Travelling motorgear	GS2..RPD+MF07	2

### 31) Normal Headroom Trolley - NHT for VS306



item	reference	description	observation	Quantity
1	<a href="#">1134531</a>	Side plate		2
2	<a href="#">1134521</a>	Opposite motor side plate only	VS2/VS3...N..A	2
3	<a href="#">1133508</a>	Geared travel wheel	Chariot 1 GMR (2) - Chariot 2 GMR (4) - VB13 - Ø 125mm	4
4	<a href="#">1133507</a>	Ung geared wheel	Chariot 1 GMR (2) - Chariot 2 GMR (4) - VB13 - Ø 125mm	4
5	<a href="#">1113532</a>	Drive wheel - 19 th		1
6	<a href="#">N.C.</a>	End carriage	VS402 / VP11 - VS404 / VP14 - VS502 VS504 < 16T	4
7	<a href="#">7232120A</a>	Grower washer (12)	D & DA & RD	28
8	<a href="#">8113532</a>	M12 nut		28
9	<a href="#">830425</a>	HM screw 12 x 30		4
10	<a href="#">7231122R</a>	Washer MU12		4
11	<a href="#">V3NA013A</a>	Locking plate		2
12	<a href="#">7211628F</a>	HM screw 12 x 140		2
13	<a href="#">V3NB603A</a>	Counter weight	*	1
14	<a href="#">V3NB602A</a>	Tie rode	*	2
15	<a href="#">1134545</a>	Locking plate		8
16	<a href="#">1134511</a>	Bushing		8

## 32) Motorgearboxes for NHT and LHT monorail hoist



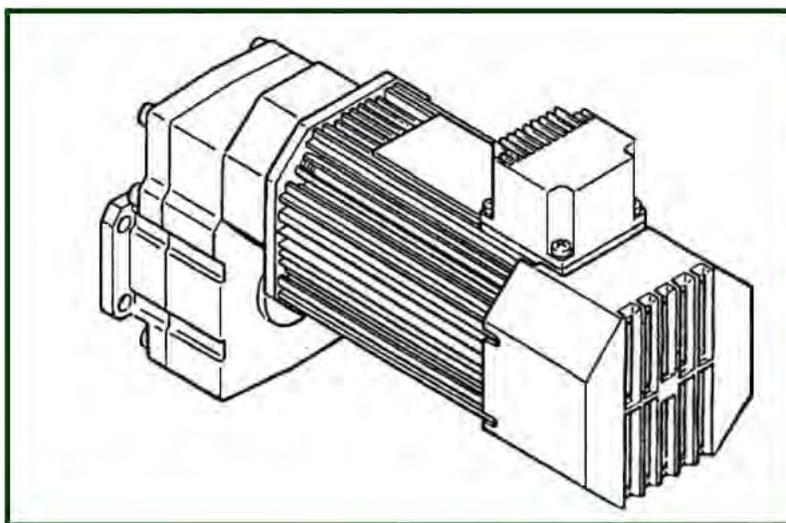
## 32.1) Before april 1999

item	reference	description	observation	Quantity
	<u>1117504</u>	Gearbox GS315RPC	Vitesse / Speed 20/5	1
	<u>1117507</u>	Gearbox GS332RPC	Vitesse / Speed 10/2,5	1
	<u>25808104</u>	Travelling motor MF07LA14 3000/750 - 415V/50Hz - W415V - 0,25/0,06KW	Prise Wieland avant avril 1999 Wieland plug before april 1999 GS315RPC : VS304<5T & VS306	1
	<u>25808102</u>	Travelling motor MF07LA104 3000/750 - 220V/50Hz - 0,25/0,06KW	Prise Wieland avant avril 1999 Wieland plug before april 1999 GS315RPC : VS304<5T & VS306	1
	<u>25808103</u>	Travelling motor MF07LA104 3000/750 - 380V/50Hz - 0,25/0,06KW	Prise Wieland avant avril 1999 Wieland plug before april 1999 GS315RPC : VS304<5T & VS306	1
	<u>25808302</u>	Travelling motor MF07LB104 3000-750t/mn - 220V/50Hz - 0.45/0.11Kw	Prise Wieland avant avril 1999 Wieland plug before april 1999 GS332RPC : VS306 - GS315RPC : VS306 6,3T	2
	<u>25808303</u>	Travelling motor MF07LB104 3000-750t/mn - 380-400V/50Hz - 0.45/0.11KW	Prise Wieland avant avril 1999 Wieland plug before april 1999 GS332RPC : VS306 - GS315RPC : VS306 6,3T	2
	<u>25808304</u>	Travelling motor MF07LB104 3000-750t/mn - 415V/50Hz - 0.45/0.11KW	Prise Wieland avant avril 1999 Wieland plug before april 1999 GS332RPC : VS306 - GS315RPC : VS306 6,3T	2
-	<u>1113532</u>	Drive wheel - 19 th		1
-	<u>7273458H</u>	Pin		1

## 32.2) After april 1999

item	reference	description	observation	Quantity
	<u>1117510</u>	Gearbox GS115RPC	Vitesse / Speed 20/5 Après avril 1999 / After april 1999	1
	<u>1117504</u>	Gearbox GS315RPC	Vitesse / Speed 20/5	1
	<u>1117507</u>	Gearbox GS332RPC	Vitesse / Speed 10/2,5	1
	<u>25808104P</u>	Travelling motor MF07LA14 3000/750 - 415V/50Hz - W415V - 0,25/0,06KW	Prise plastique après avril 1999 Plastic plug after april 1999	1
	<u>25808102P</u>	Travelling motor MF07LA104 3000/750 - 220V/50Hz - 0,25/0,06KW	Prise plastique après avril 1999 Plastic plug after april 1999 GS315RPC : VS304<5T & VS306	1
	<u>25808103P</u>	Travelling motor MF07LA104 3000/750 - 380V/50Hz - 0,25/0,06KW	Prise plastique après avril 1999 Plastic plug after april 1999 GS315RPC : VS304<5T & VS306	1
	<u>25808302P</u>	Travelling motor MF07LB104 3000-750t/mn - 220V/50Hz - 0.45/0.11KW	Prise plastique après avril 1999 Plastic plug after april 1999 GS332RPC : VS306 - GS315RPC : VS306 6,3T	1
	<u>25808303P</u>	Travelling motor MF07LB104 3000-750t/mn - 380-400V/50Hz - 0.45/0.11KW	Prise plastique après avril 1999 Plastic plug after april 1999 GS332RPC : VS306 - GS315RPC : VS306 6,3T	1
	<u>25808304P</u>	Travelling motor MF07LB104 3000-750t/mn - 415V/50Hz - 0.45/0.11KW	Prise plastique après avril 1999 Plastic plug after april 1999 GS332RPC : VS306 - GS315RPC : VS306 6,3T	1
	<u>25808112</u>	Travelling motor MF07S104 3000-750t/mn - 0.20/0.05kw - 230V/50Hz	Prise plastique après avril 1999 Plastic plug after april 1999 VS302	1
	<u>25808113</u>	Travelling motor MF07S104 3000-750t/mn - 0.20/0.05kw - 400v/50Hz	Prise plastique après avril 1999 Plastic plug after april 1999 VS302	1
-	<u>1113532</u>	Drive wheel - 19 th		1
-	<u>7273458H</u>	Pin		1

### 33) Motorgearbox for birail hoist

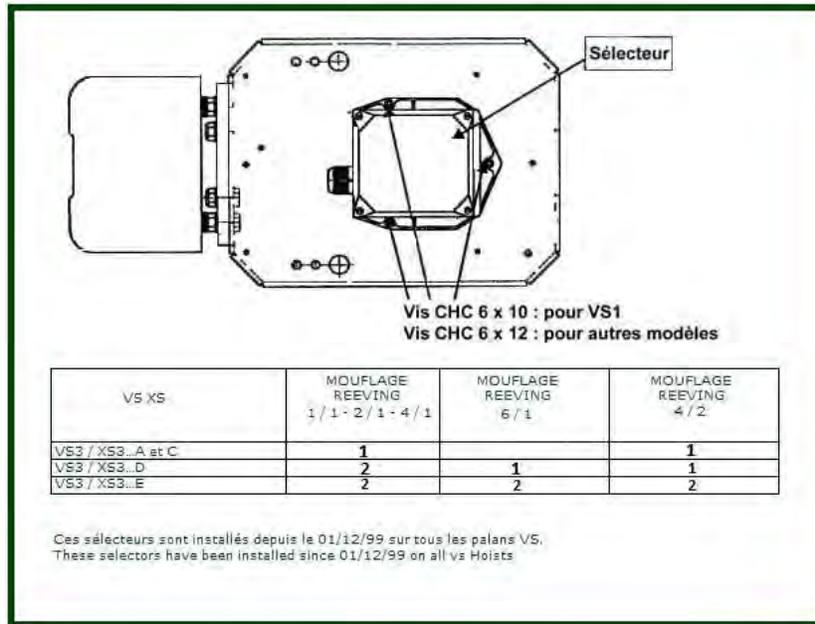


item	reference	description	observation	Quantity
1	<u>1147202</u>	Gear GS 240 RPD		1
2	<u>25883020</u>	Gear GS 363 RFB		1
3	<u>25808102</u>	Travelling motor MF07LA104 3000/750 - 220V/50Hz - 0,25/0,06KW	Prise Wieland avant avril 1999 Wieland plug before april 1999 GS315RPC : VS304<5T & VS306	1
4	<u>25808103</u>	Travelling motor MF07LA104 3000/750 - 380V/50Hz - 0,25/0,06KW	Prise Wieland avant avril 1999 Wieland plug before april 1999 GS315RPC : VS304<5T & VS306	1
5	<u>25808104</u>	Travelling motor MF07LA14 3000/750 - 415V/50Hz - W415V - 0,25/0,06KW	Prise Wieland avant avril 1999 Wieland plug before april 1999 GS315RPC : VS304<5T & VS306	1
6	<u>25808302</u>	Travelling motor MF07LB104 3000-750t/mn - 220V/50Hz - 0.45/0.11Kw	Prise Wieland avant avril 1999 Wieland plug before april 1999 GS332RPC : VS306 - GS315RPC : VS306 6,3T	1
7	<u>25808303</u>	Travelling motor MF07LB104 3000-750t/mn - 380-400V/50Hz - 0.45/0.11KW	Prise Wieland avant avril 1999 Wieland plug before april 1999 GS332RPC : VS306 - GS315RPC : VS306 6,3T	1
8	<u>25808304</u>	Travelling motor MF07LB104 3000-750t/mn - 415V/50Hz - 0.45/0.11KW	Prise Wieland avant avril 1999 Wieland plug before april 1999 GS332RPC : VS306 - GS315RPC : VS306 6,3T	1
9	<u>25808102P</u>	Travelling motor MF07LA104 3000/750 - 220V/50Hz - 0,25/0,06KW	Prise plastique après avril 1999 Plastic plug after april 1999 GS315RPC : VS304<5T & VS306	1
10	<u>25808103P</u>	Travelling motor MF07LA104 3000/750 - 380V/50Hz - 0,25/0,06KW	Prise plastique après avril 1999 Plastic plug after april 1999 GS315RPC : VS304<5T & VS306	1
11	<u>25808104P</u>	Travelling motor MF07LA14 3000/750 - 415V/50Hz- W415V - 0,25/0,06KW	Prise plastique après avril 1999 Plastic plug after april 1999	1
12	<u>25808302P</u>	Travelling motor MF07LB104 3000-750t/mn - 220V/50Hz - 0.45/0.11KW	Prise plastique après avril 1999 Plastic plug after april 1999 GS332RPC : VS306 - GS315RPC : VS306 6,3T	1
13	<u>25808303P</u>	Travelling motor MF07LB104 3000-750t/mn - 380-400V/50Hz - 0.45/0.11KW	Prise plastique après avril 1999 Plastic plug after april 1999 GS332RPC : VS306 - GS315RPC : VS306 6,3T	1
14	<u>25808304P</u>	Travelling motor MF07LB104 3000-750t/mn - 415V/50Hz - 0.45/0.11KW	Prise plastique après avril 1999 Plastic plug after april 1999 GS332RPC : VS306 - GS315RPC : VS306 6,3T	1

### 34) Electrical parts

item	reference	description	observation	Quantity
-	<a href="#">7536311T</a>	Auxiliary contact LA1D11	N1 à N3	1
-	<a href="#">1113007</a>	Auxiliary contact LA1D20	7536314W	1
-	<a href="#">1113046</a>	Brake circuit protection	Moteur/Motor P1-P2-P3 O-F2 Moteur/Motor P4/P5 A-F7	1
-	<a href="#">1115062</a>	Brake rectifier REC12 For main voltage 230V to 690V	Moteur/Motor P1 à/to P5	1
-	<a href="#">1113045</a>	Circuit braker	63VA 400V/48V	1
-	<a href="#">1113002</a>	Circuit braker		1
-	<a href="#">1113003</a>	Circuit breaker		1
-	<a href="#">1113018</a>	Contacteur	Frein/Brake	1
-	<a href="#">8812152B</a>	Control cable	16x1,5 mm <sup>2</sup>	0
-	<a href="#">7691114G</a>	Counter cover		1
-	<a href="#">1113094</a>	Counter support		1
-	<a href="#">7575304B</a>	Fuse 4A		0
-	<a href="#">7575306D</a>	Fuse 6AM		0
-	<a href="#">7573242K</a>	Fuse support	BC31	3
-	<a href="#">1113125</a>	Hour counter - 48V-50Hz		1
-	<a href="#">1123044</a>	Hour counter - 110V-50Hz		1
-	<a href="#">7541412N</a>	Limit switch contact - Top		0
-	<a href="#">1103001</a>	Monitor+connectors	CU1	1
-	<a href="#">1113101</a>	Monitor+transformer	CU1	1
-	<a href="#">1113043</a>	Motor protector - 48V	MSL 48C	1
-	<a href="#">1113071</a>	Motor protector - 115V	MSL 115C	1
-	<a href="#">1113072</a>	Motor protector - 230V	MSL 230C	1
-	<a href="#">1113141</a>	On & Off unit		1
-	<a href="#">7532326L</a>	ON-OFF contactor - 400V/48V - LC1D253E7	Moteur / Motor P4-P5 - O-K1	1
-	<a href="#">834490</a>	Push button	2VL+2VD+AU / 2HS+2CT+ES	1
-	<a href="#">1113023</a>	Reversing contactor	400V-48V Levage+direction/Hoisting cross travelling LC2ECO9E (7531023V)	0
-	<a href="#">1113021</a>	Selector contactor	48V	0
-	<a href="#">1113029</a>	Slow and high speed contactor 400V/48V - LC1D258E	Moteur / Motor P4-P5 -7532324J	1
-	<a href="#">1113076</a>	Transformer 160VA		1
-	<a href="#">7541312D</a>	Travel limit switch	C1-C2-C3	1
-	<a href="#">1123046</a>	Travel limit switch - 2 steps		0
-	<a href="#">1133050</a>	Ultimate limit switch-auto reset	Upper limit switch	0
-	<a href="#">1133051</a>	Ultimate limit switch-manuel reset		0
-	<a href="#">7531325Y</a>	Up and down contactor 690V/48V - LC2D25E7	Moteur / Motor P5 - AK1-AK2	1

### 35) Mounting and choosing the came selector



item	reference	description	observation	Quantity
1	<u>GTES67DZM</u>	Rotating limit switch - 4C	XS2 - VS2...C et Z 1/1-2/1-4/1 Depuis/Since 01/12/99	1
2	<u>GTES110DZM</u>	Rotating limit switch - 4C	VS2...C et Z 1/1 - 2/1 - 4/1 - Depuis/Since 01/12/99	1