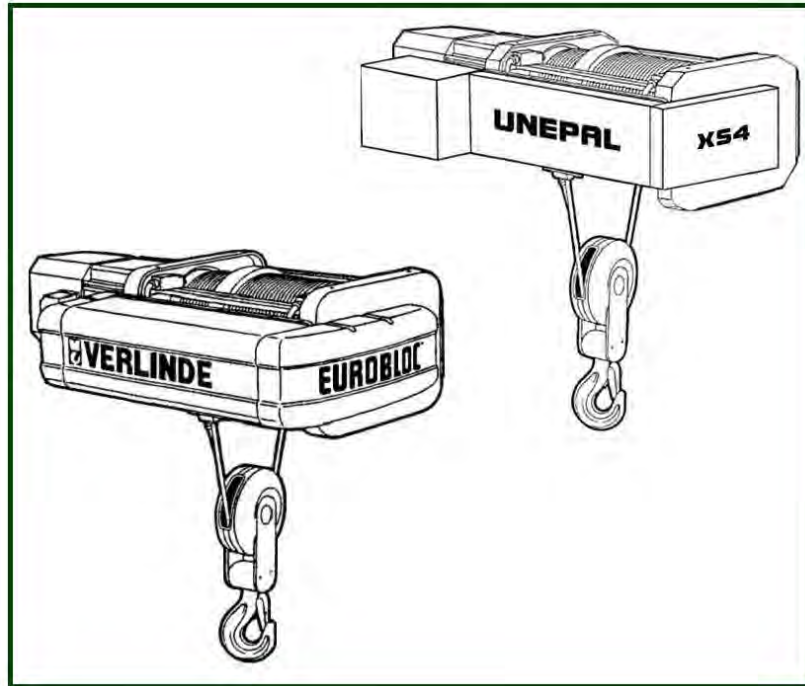


Spare parts catalog for "VS4-XS4"

To avoid errors, when ordering please specify:

- Complete type of hoist
- Date of manufacture and serial number
- Spare part code
- Spare part designation
- Additional information



0) VS HOIST CODIFICATION

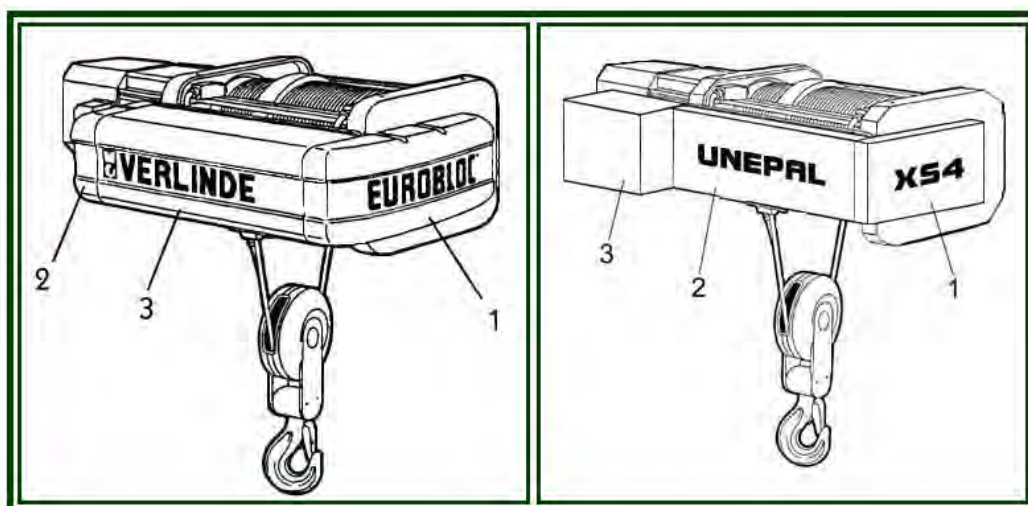
- 1) COVER
- 2) FRAME
- 3) 406 HOIST FRAME
- 4) ROPE DRUM
 - 4.1) Precut rope
- 5) GEAR
- 6) ROPE ANCHORAGE SUSPENSION - 2 FALLS FM AND NHT
- 7) ROPE SHEAVE UNIT - 2FALLS - LHT
- 8) ROPE SHEAVE UNIT - 4 FALLS FM AND NHT
- 9) ROPE SHEAVE UNIT - 4 FALLS LHT
- 10) ROPE ENCHORAGE SUSPENSION TRUE VERTICAL LHT
- 11) ROPE ENCHORAGE SUSPENSION TRUE VERTICAL FM / NHT
- 12) SHEAVE UNIT AND ROPE SUSPENSION HOIST 406
- 13) OVERLOAD PROTECTION FM, NHT, LHT (ELECT. MECH.)
 - 14) LIFTING HOOK - 2 FALLS
 - 15) LIFTING HOOK - 4 FALLS
- 16) LIFTING HOOK - 6 FALLS HOISTING GEAR TYPE N
- 17) LIFTING HOOK, 6 FALLS, HOISTING GEAR TYPE L-R
- 18) LIFTING HOOKBLOCK TRUE VERTICAL 4/2
- 19) LOW HEADROOM TROLLEY
- 20) NORMAL HEADROOM TROLLEY
- 21) NORMAL HEADROOM TROLLEY 406
- 22) SWIVELLING TROLLEY
- 23) SWIVELLING TROLLEY 4/1 AND 2/1
- 24) DOUBLE GIRDER TROLLEY HOIST 4/1 ET 2/1
- 25) DOUBLE GIRDER TROLLEY WHEEL SET 4/1 AND 2/1
 - 25.1) VS 404-1
 - 25.2) VS 402-1 VS 404-2
- 26) DOUBLE GIRDER TROLLEY 406
- 27) DOUBLE GIRDER TROLLEY WHEEL SET 6/1
 - 28) TRAVELLING MOTOR
 - 28.1) For NHT and LHT monorail hoist
 - 28.2) For birail hoist
 - 29) ELECTRIC PARTS
- 30) MOUNTING AND CHOOSING THE CAME SELECTOR

0) VS hoist codification

| ABREVIATIONS | | ABBREVIATIONS | |
|----------------------------------|-----|-------------------------|-----|
| (Palan) Fixe | F | Foot Mounted hoist | FM |
| Chariot à Hauteur Perdue Normale | HPN | Normal Headroom Trolley | NHT |
| Chariot à Hauteur Perdue Réduite | HPR | Low Headroom Trolley | LHT |

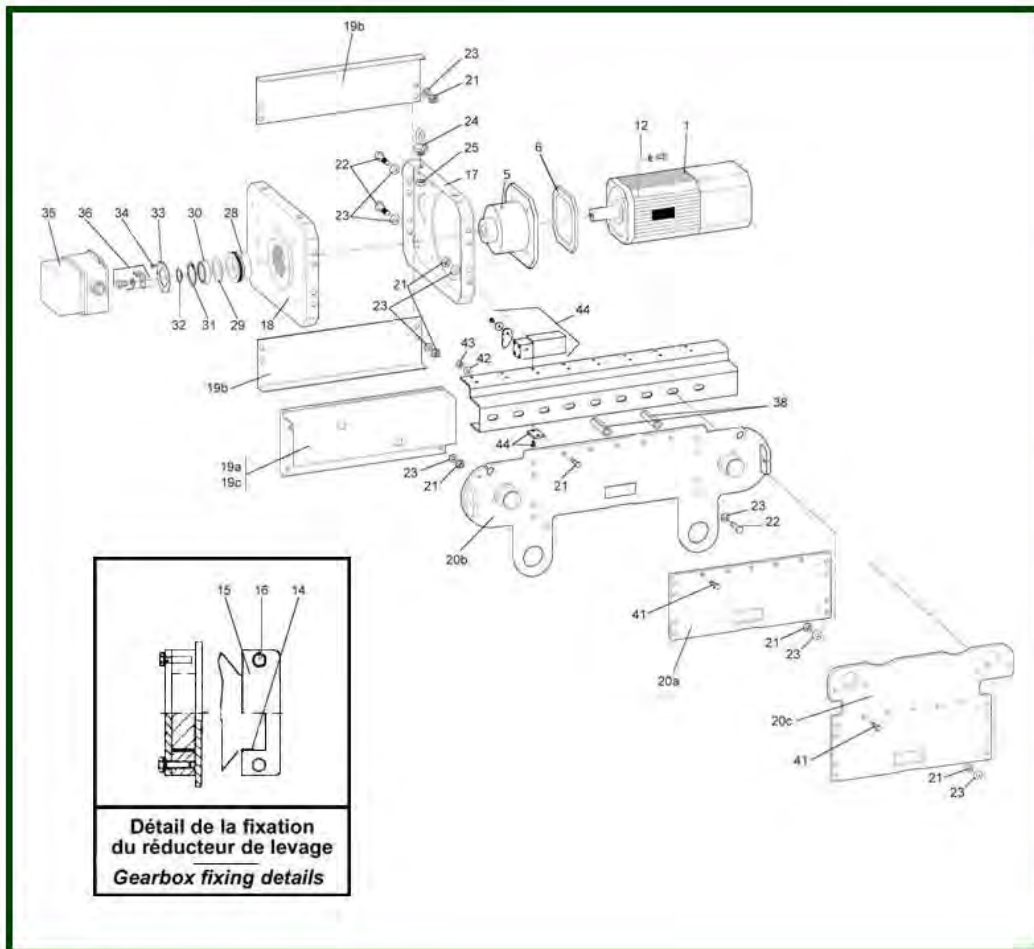
| CODIFICATION DES PALANS VS / VS HOIST CODIFICATION | | | | | | | | | | | | |
|---|--------|------------------|---|--|--------|--------|--|-------------|------|--|----|---|
| PALAN VS | | | | | | | | | | | | |
| TAILLE DU CHASSIS | | | | | | | | | | | | |
| VS | 2 | 1, 2, 3, 4, 5, 6 | | | | | | | | | | |
| | 04 1 1 | MOUFLAGE | Nombre de brins / Sorties de câbles au tambour / Nombre de « crochets » | | | | | | | | | |
| | | 5 | GROUPE ISO | 4 = 1Am | 5 = 2m | 6 = 3m | 7 = 4m | X = Spécial | | | | |
| | | | R 20 | CHARIOT (*) / LARGEUR DE FER (**) | | | | | | | | |
| | | | | <ul style="list-style-type: none"> (*) R = HPR N = HPN P = Birail parallèle C = Birail perpendiculaire F = Fixe posé X = Spécial | | | <ul style="list-style-type: none"> (**) Monorail 10 = 80...100 15 = 100...150 20 = 151...250 25 = 201...250 30 = 251...300 35 = 301...350 40 = 351...400 45 = 401...450 | | | <ul style="list-style-type: none"> Birail 09 = 900 14 = 1400 17 = 1700 20 = 2000 24 = 2400 27 = 2700 31 = 3100 | | |
| | | | A | LONGUEUR DE CHASSIS / HAUTEUR DE LEVAGE | | | | | | | | |
| | | | | A, B, C, D, E, F, G, H, J, K, L, M, N | | | | | | | | |
| VS | 2 | 04 1 1 | 5 | R 20 | A | N | N2 | 23 5 | SE 5 | + | 25 | N |
| REDUCTEUR / VITESSE | | | | | | | | | | | | |
| L = Lent N = Normal R = Rapide X = Spécial | | | | | | | | | | | | |
| MOTEUR | | | | | | | | | | | | |
| N (1, 2, 3, 4, 5) = 2 vitesses H (2, 3, 4) = Service lourd F (3, 4, 5, 6) = Variation de vitesse X = Spécial (1 = 1,9 kW, 2 = 3,5 kW, 3 = 7,5 kW, 4 = 15 kW, 5 = 30 kW) | | | | | | | | | | | | |
| TENSION D'ALIMENTATION | | | | | | | | | | | | |
| 23 5 = 230V / 50 Hz 40 5 = 400V / 50 Hz 41 5 = 415V / 50 Hz | | | | | | | | | | | | |
| EQUIPEMENT ELECTRIQUE | | | | | | | | | | | | |
| S = Palan solo K = Palan pour kit C = Classic E = Europe H = Hi-tronic 4 = IP 54 5 = IP 55 X = Spécial | | | | | | | | | | | | |
| LIMITEUR DE CHARGE | | | | | | | | | | | | |
| L = Limiteur seul M = Monitor + = Limiteur + monitor | | | | | | | | | | | | |
| DIRECTION | | | | | | | | | | | | |
| 16 = 16/4 20 = 20/5 25 = 25/6,3 NO = Non CH = Chaîne XX = Spécial | | | | | | | | | | | | |
| CONCEPTION SPECIALE | | | | | | | | | | | | |
| N = Non M = Mécanique E = Electrique D = Divers | | | | | | | | | | | | |

1) Cover



| item | reference | description | observation | Quantity |
|------|--------------------------|-----------------------------|---|----------|
| 1 | 1145021 | Cover | | 1 |
| 1 | S4FAB03B | Cover - Opposite motor side | * VS4...B et D - XS5 - Longueur de chassis / Length of the frame B et D | 1 |
| 2 | S4FAB04B | Cover - Motor side | * VS406 seulement | 1 |
| 3 | S4FAB01B | Side cover - Lg B | * N.C. | 1 |
| 3 | S4FAD01B | Side cover - Lg D | Longueur de chassis / Length of the frameD | 1 |
| 3 | S4FAE02B | Side cover - Lg E | | 1 |
| 3 | S4FAF02B | Side cover - Lg F | Longueur de chassis / Length of the frame F | 1 |
| 3 | S4FAG02B | Side cover - Lg G | Longueur de chassis / Length of the frame G | 1 |
| - | 830924 | CHC screw 6 x 12 | | 1 |
| - | 1155034 | Cubicle extension - Lg E | VS4...E - VS5...E | 1 |
| - | VSSF015A | Cubicle extension - Lg F | * VS4...F | 1 |
| - | VSSG015A | Cubicle extension - Lg G | * VS4...G | 1 |
| - | NCPE | Electric PC board | | 1 |
| - | 7231061Z | Flat washer 6 | Frein manuel-Frein automatique / Manuel brake-Automatic brake | 1 |
| - | 1145023 | Load limiter | | 1 |
| = | 1145030 | Electric cubicle | VS4...B | 1 |
| = | 1145130 | Electric cubicle | VS4...D/E/F/G - VS5...D | 1 |

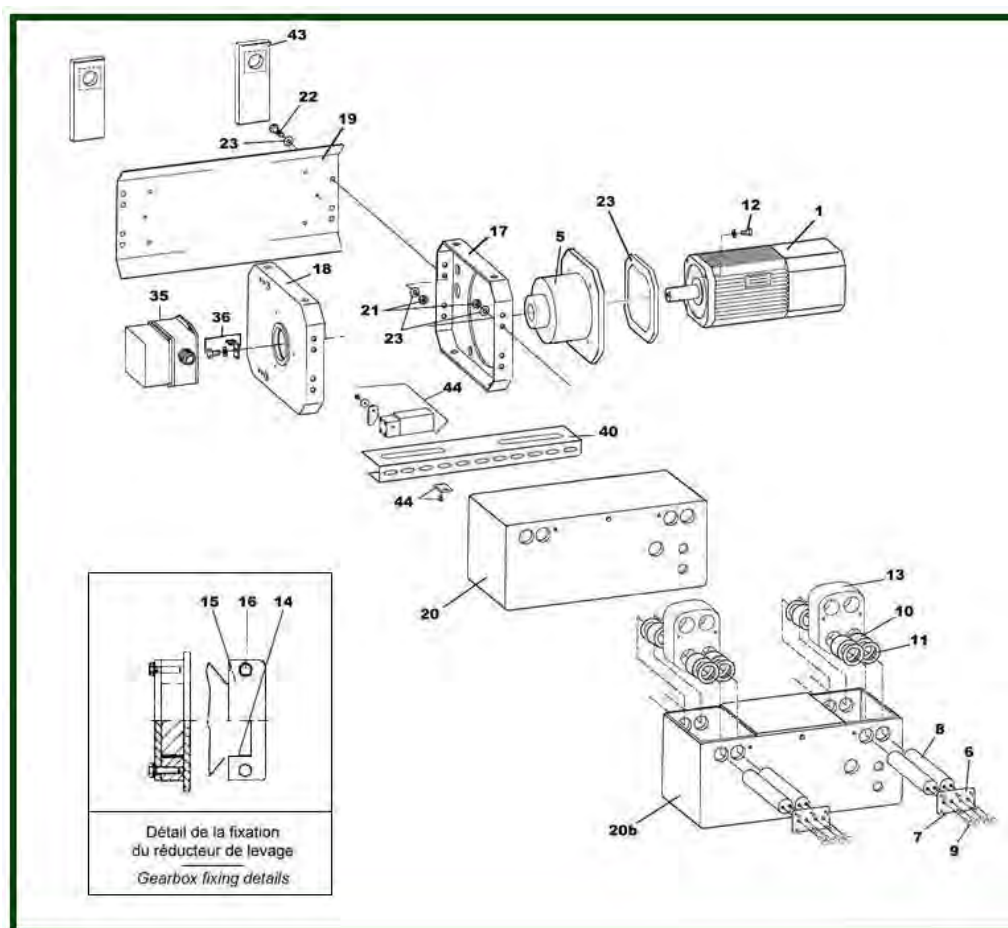
2) Frame



| item | reference | description | observation | Quantity |
|------|---------------------------|--|--|----------|
| 1 | 1147006 | Complete motor 400V/50Hz - 7,5/1,2Kw | | 1 |
| 1 | 1147008G3 | Hoising Motor | VS4...G3 | 1 |
| 1 | 1137002 | Motor 230V/50Hz - 7,5/1,2Kw | VS3...N3 | 1 |
| 1 | 1147002 | Motor 230V/50Hz - 15/2,5 Kw | N4 | 1 |
| 1 | 1137004 | Motor 380V/50Hz - 440V/60Hz - 7,5/1,2Kw | VS3...N3 | 1 |
| 1 | 1147004 | Motor 380V/50Hz - 440V/60Hz - 15/2,5 Kw | N4 | 1 |
| 1 | 1137006 | Motor 400V/50Hz - 7,5/1,2Kw | VS3...D3 - Frein manuel / Manual brake | 1 |
| 1 | 1137001 | Motor 400V/50Hz - 460V/60Hz - 7,5/1,2kw | VS3...N3 | 1 |
| 1 | 1147010 | Motor 400V/50Hz - 460V/60Hz - 7.5/2.5kw | VS4 L4 - 1500/500 TR/min | 1 |
| 1 | 1147001 | Motor 400V/50Hz - 460V/60Hz - 15/2,5 Kw | N4 | 1 |
| 1 | 1137003 | Motor 400V/50Hz - 460V/60Hz - 15/2,5 Kw | VS3...N3 | 1 |
| 1 | 1147003 | Motor N4 - 400V/50Hz - 460V/60Hz - 15/2,5 Kw | N4 | 1 |
| 5 | 1147502 | Gear box | VS4...NN4 - 4G3300 | 1 |
| 5 | 1147503 | Gear box - 4G4400 | VS4...RN4 - 4G4400 | 1 |
| 5 | 1147504 | Gear box - 4G4600 | VS4...NN4 - 4G4600 | 1 |
| 6 | 1147550 | Gearbox covering plate | VS4...N3/F3 | 1 |
| 12 | 7215657F | CHC screw M12x35 | VS4 - VS5 - Moteur N4 | 1 |
| 12 | 7215557X | Screw CHCM10x25 | | 4 |
| 17 | 1145040 | End plate - Motor side | | 1 |
| 18 | 1145050 | End plate - Opposite motor side | | 1 |

| | | | | |
|----------|-----------------|----------------------------------|------------------------------|----|
| 19a | <u>1145017</u> | Side plate | VS4...F..B | 1 |
| 19a | <u>1145117</u> | Side plate | VS4...F..D | 1 |
| 19b | <u>1145051</u> | Side plate - Lg 646 | (*) VS4...R....B | 2 |
| 19b | <u>1145151</u> | Side plate - Lg 926 | (*) VS4...R....D | 1 |
| 19c | <u>1144514</u> | Side plate | VS4...N..B | 1 |
| 19c | <u>1144614</u> | Side plate | VS4...N..D | 1 |
| 20a | <u>1145011</u> | Side plate - Lg 646 | (*) VS4...F...B | 1 |
| 20a | <u>1145111</u> | Side plate - Lg 926 | (*) VS4...F...D | 1 |
| 20b | <u>1143511</u> | Side plate | (*) VS4...R....B | 1 |
| 20b | <u>1143611</u> | Side plate | (*) VS4...R....D | 1 |
| 20c | <u>1144517</u> | Side plate NHT - Lg 646 | (*) VS4...N...B | 1 |
| 20c | <u>1144617</u> | Side plate NHT - Lg 926 | (*) VS4...N...D | 1 |
| 21-22-25 | <u>831598</u> | Nylstop nut M18 | C1 - HPN/NHT | 16 |
| 23 | <u>7151642Z</u> | M16 Washer | | 32 |
| 24 | <u>1140006</u> | Lifting hook | Fixe (2) - HPN (4) - HPR (1) | 1 |
| 25 | <u>831521</u> | M18 nut | HPN/NHT | 2 |
| 28 | <u>1145038</u> | Housing bearing | | 1 |
| 29 | <u>8130095</u> | Nylos Ring | | 1 |
| 30 | <u>8110074</u> | Bearing | | 1 |
| 31 | <u>400080</u> | Retaining ring for bore - Ø 90x3 | | 1 |
| 32 | <u>400079</u> | Outer circlip | | 1 |
| 33 | <u>1145039</u> | Adjusting plate | | 1 |
| 34 | <u>830924</u> | CHC screw 6 x 12 | | 4 |
| 35 | <u>NCSACd99</u> | Hoisting limit switch | Since 12/99 | 1 |
| 36 | <u>1144020</u> | Driving part assy | Depuis / Since 01/12/99 | 1 |
| 38 | <u>8150083</u> | Mecani.dowel | VS4...B...D | 5 |
| 39-42 | <u>831504</u> | Brake washer AZ M8 | VS4...B...D - VS5....D/E | 5 |
| 40 | <u>1141026</u> | Limit switch rail - Lg 570 | VS4...B | 1 |
| 40 | <u>1141126</u> | Limit switch rail - Lg 793 | VS4....D | 1 |
| 41 | <u>550978</u> | Screw CHC M8X70 | VS4...B...D | 5 |
| 43 | <u>7232080G</u> | GROWER washer - Ø 8 | | 5 |
| 44 | <u>1113113</u> | Limit switch | Jusqu'à / To 30/11/99 | 2 |

3) 406 host frame



| item | reference | description | observation | Quantity |
|------|---------------------------|--|--|----------|
| 1 | 1147006 | Complete motor 400V/50Hz - 7,5/1,2Kw | | 1 |
| 1 | 1147008G3 | Hoising Motor | VS4...G3 | 1 |
| 1 | 1137002 | Motor 230V/50Hz - 7,5/1,2Kw | VS3...N3 | 1 |
| 1 | 1147002 | Motor 230V/50Hz - 15/2,5 Kw | N4 | 1 |
| 1 | 1137004 | Motor 380V/50Hz - 440V/60Hz - 7,5/1,2Kw | VS3...N3 | 1 |
| 1 | 1147004 | Motor 380V/50Hz - 440V/60Hz - 15/2,5 Kw | N4 | 1 |
| 1 | 1137006 | Motor 400V/50Hz - 7,5/1,2Kw | VS3...D3 - Frein manuel / Manual brake | 1 |
| 1 | 1137001 | Motor 400V/50Hz - 460V/60Hz - 7,5/1,2Kw | VS3...N3 | 1 |
| 1 | 1147010 | Motor 400V/50Hz - 460V/60Hz - 7.5/2.5kw | VS4 L4 - 1500/500 TR/min | 1 |
| 1 | 1147001 | Motor 400V/50Hz - 460V/60Hz - 15/2,5 Kw | N4 | 1 |
| 1 | 1137003 | Motor 400V/50Hz - 460V/60Hz - 15/2,5 Kw | VS3...N3 | 1 |
| 1 | 1147003 | Motor N4 - 400V/50Hz - 460V/60Hz - 15/2,5 Kw | N4 | 1 |
| 5 | 1147502 | Gear box | VS4...NN4 - 4G3300 | 1 |
| 5 | 1147503 | Gear box - 4G4400 | VS4...RN4 - 4G4400 | 1 |
| 5 | 1147504 | Gear box - 4G4600 | VS4...NN4 - 4G4600 | 1 |
| 6 | V4NAP65A | Locking plate - NHT 406 | | 2 |
| 7 | 830205 | Securing screw for brake bar HM 8 x 25 | | 16 |
| 8 | V4NAP64A | Shaft | | 4 |
| 9 | 830425 | HM screw 12 x 30 | | 8 |
| 10 | V4NAP68A | Sleeve | | 10 |

| | | | | |
|-----|--------------------------|--|---|----|
| 11 | 8150019 | Washer - 68 x 55 x 1 | SP55X68X2 DIN988 - VS402...R - 1AM/2M/3M | 1 |
| 12 | 7215657F | CHC screw M12x35 | VS4 - VS5 - Moteur N4 | 4 |
| 12 | 7215557X | Screw CHCM10x25 | | 4 |
| 13 | V4NAP67A | Suspension crossmember < 500 mm | Nous consulter / Consult us - Pièces à la commande / Parts on order | 2 |
| 13 | V4NAP66A | Suspension crossmember > 350 mm | Nous consulter / Consult us - Pièces à la commande / Parts on order | 2 |
| 14 | 95118201 | Plastic cap | | 2 |
| 15 | 1151036 | Gearing fixing plate | | 2 |
| 16 | 830301 | Screw HM 10X20 | VS4...N3/F3 | 2 |
| 17 | V4FAA60A | End plate - Motor side | | 1 |
| 18 | V4FAB60A | End plate - Opposite motor side | | 1 |
| 19 | V4BA11EA | Side Plate - 6 falls - Length E | (* VS406...E (1429) | 1 |
| 19 | V4BA11FA | Side Plate - 6 falls - Length F | (* VS406...F (1729) | 1 |
| 19 | V4BA11GA | Side Plate - 6 falls - Length G | (* VS406...G (2029) | 1 |
| 20 | V4BAP6EA | Load side plate fix mounted - 6 falls - Length E | (* VS406...E (1429) | 1 |
| 20 | V4BAP6FA | Load side plate fix mounted - 6 falls - Length F | (* VS406...F (1729) | 1 |
| 20 | V4BAP6GA | Load side plate fix mounted - 6 falls - Length G | (* VS406...G (2029) | 1 |
| 20b | V4NAP6EA | Load side plate HPN - 6 falls - Length E | (* VS406...E (1429) | 1 |
| 20b | V4NAP6FA | Load side plate HPN - 6 falls - Length F | (* VS406...F (1729) | 1 |
| 20b | V4NAP6GA | Load side plate HPN - 6 falls - Length G | (* VS406...G (2029) | 1 |
| 21 | 831598 | Nylstop nut M18 | C1 - HPN/NHT | 16 |
| 22 | 830318 | HM Screw 16 X 60 | | 16 |
| 23 | 7151642Z | M16 Washer | | 32 |
| 24 | 1140006 | Lifting hook | Fixe (2) - HPN (4) - HPR (1) | 4 |
| 25 | 831521 | M18 nut | HPN/NHT | 2 |
| 28 | 1145038 | Housing bearing | | 1 |
| 29 | 8130095 | Nylos Ring | | 1 |
| 30 | 8110074 | Bearing | | 1 |
| 31 | 700080 | Circlip | | 1 |
| 32 | 400079 | Outer circlip | | 1 |
| 33 | 1145039 | Adjusting plate | | 1 |
| 34 | 830924 | CHC screw 6 x 12 | | 3 |
| 35 | NCSACd99 | Hoisting limit switch | Since 12/99 | 1 |
| 36 | 1144020 | Driving part assy | Depuis / Since 01/12/99 | 1 |
| 38 | 7232080G | GROWER washer - Ø 8 | | 7 |
| 39 | 7211454N | Screw | | 7 |
| 40 | 1151126 | Limit switch rail - Lg 1430 | VS406...E et F - VS5...E | 1 |
| 40 | 7X1A01FB | Limit switch rail - Lg 1735 | VS406...G | 1 |
| 43 | V4NB601A | Locking plate support | | 2 |
| 44 | 1113113 | Limit switch | Jusqu'à / To 30/11/99 | 1 |

4) Rope drum

| VS 4 OB | VS 4 OB | Longueur à couper Lenght to be cut | Code câble Rope reference |
|----------------|-----------------------------|---------------------------------------|------------------------------|
| 1/1 | 1 Fall | 38,700 | 9 |
| 2/1 Birail | 2/1 Crab trolley | 37,000 | 10 |
| 2/1 Fixe / Hpn | 2/1 fixed / normal headroom | 37,000 | 10 |
| 2/1 HPR | 2/1 low headroom | 37,000 | 10 |
| 4/1 Birail | 4/1 crab trolley | 39,000 | 10 |
| 4/1 Fixe / Hpn | 4/1 fixed / normal headroom | 39,000 | 10 |
| 4/1 HPR | 4/1 low headroom | 38,500 | 10 |
| 2/1 Boggie | 2/1 swivelling trolley | 37,000 | 10 |
| 4/1 Boggies | 4/1 swivelling trolley | 39,000 | 10 |
| 4/2 HPRC9 | 4/2 low headroom C9 | 2X22,400 | 11 |
| 4/2 Fixe C9 | 4/2 fixed C9 | 2X21,800 | 11 |
| VS 4 OD | VS 4 OD | Longueur à couper Lenght to be cut | Code câble Rope reference |
| 1/1 | 1 Fall | 55,000 | 9 |
| 2/1 Birail | 2/1 Crab trolley | 56,000 | 10 |
| 2/1 Fixe / Hpn | 2/1 fixed / normal headroom | 56,000 | 10 |
| 2/1 HPR | 2/1 low headroom | 56,000 | 10 |
| 4/1 Birail | 4/1 crab trolley | 58,000 | 10 |
| 4/1 Fixe / Hpn | 4/1 fixed / normal headroom | 58,000 | 10 |
| 4/1 HPR | 4/1 low headroom | 57,500 | 10 |
| 2/1 Boggie | 2/1 swivelling trolley | 58,000 | 10 |
| 4/1 Boggie | 4/1 swivelling trolley | 58,000 | 10 |
| 2/1 HPR C9 | 2/1 low headroom C9 | 77,000 | N.C |
| 4/2 HPRC9 | 4/2 low headroom C9 | 2X34,000 | 11 |
| 2/1 HPRC7 | 2/1 low headroom C7 | 94,000 | N.C |
| 2/1 C9 | 2/1 câble Ø 9 | 77,00 | N.C |
| VS406 | VS406 | Longueur à couper Lenght to be cut | Code câble Rope reference |
| VS406 LG E | 6/1 | 64,500 | 10 |
| VS406 LG F | 6/1 | 83,500 | 10 |
| VS406 LG G | 6/1 | 106,400 | 10 |

N.C : Nous consulter / Please consult us

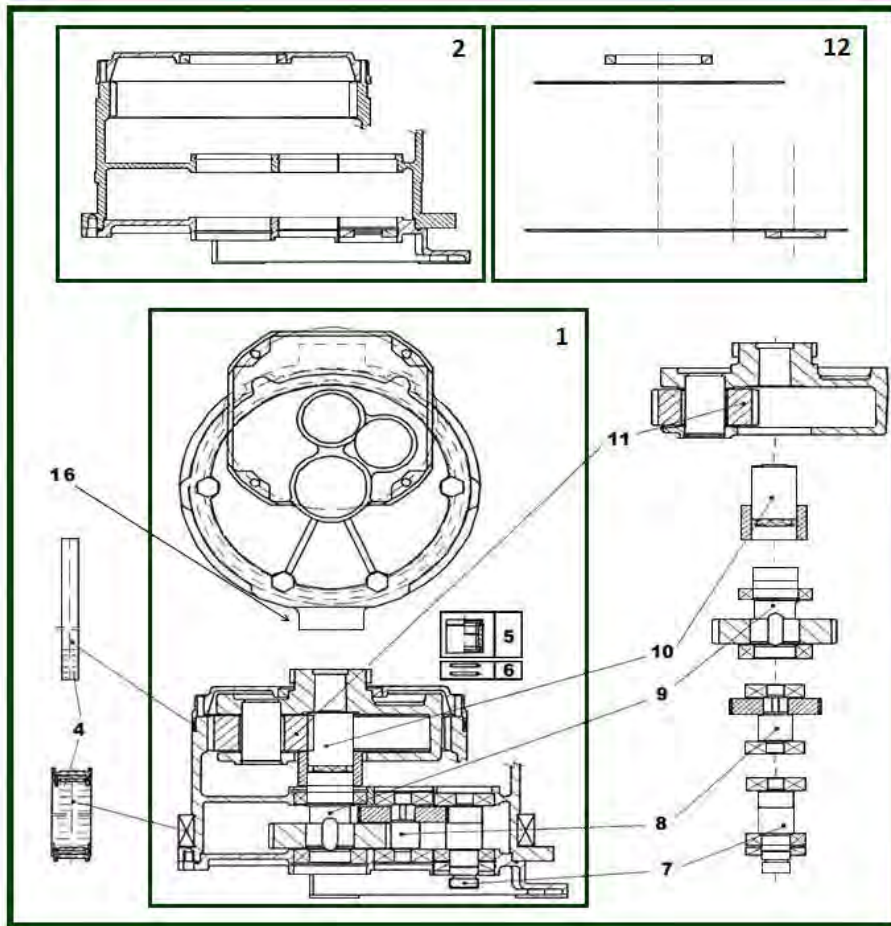
| item | reference | description | observation | Quantity |
|------|--------------------------|---|--------------------------|----------|
| 1 | VS40154D | Rope drum 1F - Lg 935 mm - P7,8 | VS402...VLN3 | 1 |
| 1 | VS40158D | Rope drum 1F - Lg 935 mm - P9,9 | VS402...YLN3 | 1 |
| 1 | 1140402B | Rope drum 2F - Lg 655 mm - P9,9 | VS4042...B | 1 |
| 1 | 1140402D | Rope drum 2F - Lg 935 mm - P9,9 | VS4042...D | 1 |
| 1 | 1140500 | Rope drum - Lg 655 mm | VS4.....B | 1 |
| 1 | 1140600 | Rope drum - Lg 935 mm | VS4.....D | 1 |
| 1 | 1140700 | Rope drum - Lg 1430 mm | VS4.....E | 1 |
| 1 | 1140800 | Rope drum - Lg 1735 mm | VS4.....F | 1 |
| 1 | 1140900 | Rope drum - Lg 2035 mm | VS4.....G | 1 |
| 2 | 1140560 | Complete rope guide - Ø 7 mm - P7.8 - Right | VS4...V - 2/1 | 1 |
| 2 | 1140570 | Complete rope guide - Ø 9 mm - P9.9 - Right | VS4.... 4/2 - VS402 ...Y | 1 |

| | | | | |
|----|-----------------|---|---|---|
| 2 | <u>1140540</u> | Complete rope guide - Ø 13 mm | VS4...B/D - 2/1 - 4/1 - 6/1 | 1 |
| 2 | <u>1140571</u> | Rope guide complete - Ø 9mm - P9.9 - Left | VS4.... 4/2 | 1 |
| 3 | <u>32332002</u> | Spring | | 1 |
| 4 | <u>1141014</u> | Support arm + screws | | 1 |
| 5 | <u>7215564E</u> | Screw CHCM 10x70 | | 2 |
| 5 | <u>32332001</u> | Spring | | 2 |
| 6 | <u>12133001</u> | Rope anchor on drum | VS2-VS4 | 5 |
| 7 | <u>7215555V</u> | BTR screw 10 x 25 | | 5 |
| 8 | <u>7232100D</u> | GROWER washer M10 | DIN12 Standard - Frein automatique/Automatic brake | 5 |
| 9 | <u>1141042</u> | Antigratory rope - Ø 13 mm | VS401...BR | 1 |
| 10 | <u>1131142</u> | Compact rope - Ø 9 mm | VS304, VS302 et VS306 - VS4 OB, VS4 OD | 1 |
| 10 | <u>1141143</u> | Compact rope - Ø 13 mm | VS402/4/6...BR | 1 |

4.1) Precut rope

| item | reference | description | observation | Quantity |
|------|-----------------|--|-------------|----------|
| | <u>53044759</u> | Compact rope - Ø 7 mm 17X7-B-LHL-40.4 | Lg 37m | 1 |
| | <u>53044763</u> | Compact rope - Ø 7 mm 17X7-B-LHL-40.4 | Lg 38m | 1 |
| | <u>53044765</u> | Compact rope - Ø 7 mm 17X7-B-LHL-40.4 | Lg 46m | 1 |
| | <u>53043542</u> | Compact rope - Ø 9 mm 9X17-B-LHL-68.5 | Lg 37m | 1 |
| | <u>53043513</u> | Compact rope - Ø 9 mm 9X17-B-LHL-68.5 | Lg 20m | 1 |
| | <u>53043540</u> | Compact rope - Ø 9 mm 9X17-B-LHL-68.5 | Lg 36m | 1 |
| | <u>53043561</u> | Compact rope - Ø 9 mm 9X17-B-LHL-68.5 | Lg 38m | 1 |
| | <u>53043569</u> | Compact rope - Ø 9 mm 9X17-B-LHL-68.5 | Lg 39m | 1 |

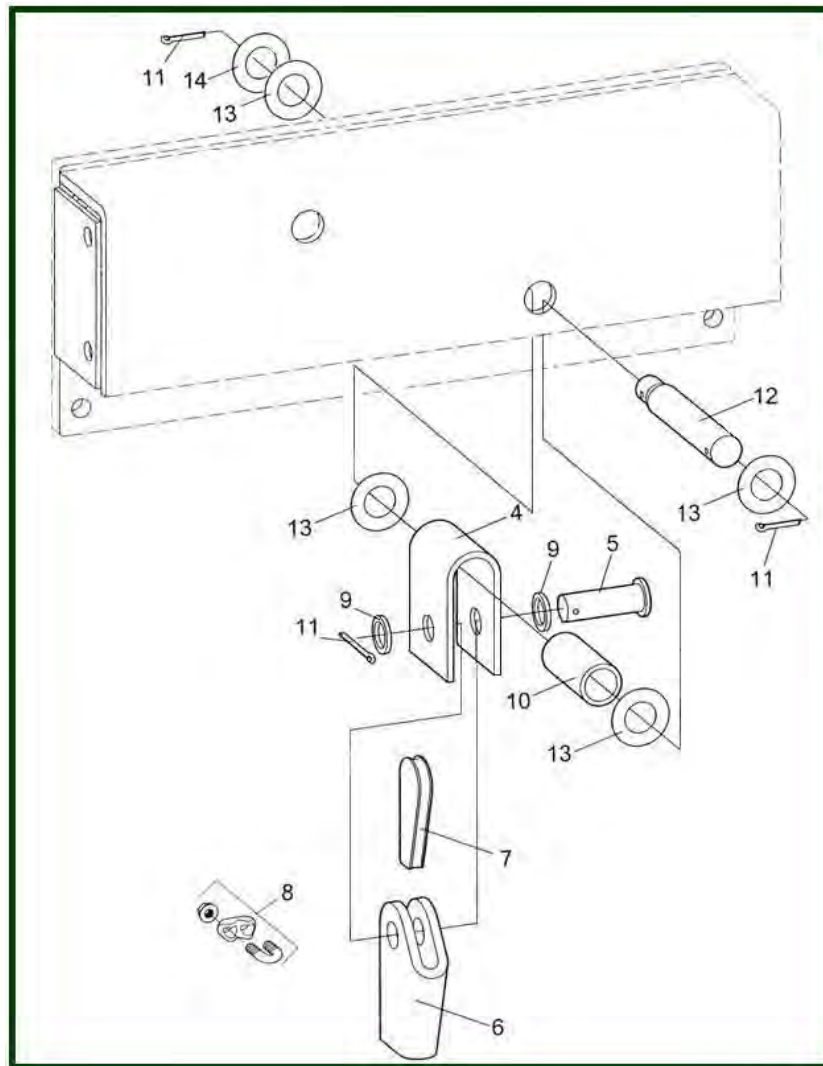
5) Gear



| item | reference | description | observation | Quantity |
|------|-------------------------|-------------------------|--------------------|----------|
| 1 | 1147502 | Gear box | VS4...NN4 - 4G3300 | 1 |
| 1 | 1147503 | Gear box - 4G4400 | VS4...RN4 - 4G4400 | 1 |
| 1 | 1147504 | Gear box - 4G4600 | VS4...NN4 - 4G4600 | 1 |
| 2 | P4G0005 | Gear housing | VS4...LN3 | 1 |
| 2 | P4G0007 | Gear housing | VS4...RN4 | 1 |
| 2 | S4G006A | Gearn housing | VS4...NN4 | 1 |
| 4 | S4G015A | Bearing set | VS4...LN3/RN4 | 1 |
| 4 | S4G016A | Bearing set | VS4...NN4 | 1 |
| 5 | P3G0008 | Coupling | VS3 N3 - VS4...LN3 | 1 |
| 5 | P4G0013 | Coupling | VS4...RN4/NN4 | 1 |
| 6 | P4G0016 | O-Ring | VS4...RN4/NN4 | 2 |
| 6 | P3G0010 | Seal | VS3 N3 - VS4...LN3 | 2 |
| 7 | P4G0017 | Primary shaft complete | VS4...LN3 | 1 |
| 7 | S4G020A | Primary shaft complete | VS4...NN4 | 1 |
| 7 | P4G0019 | Primary shaft complete | VS4...RN4 | 1 |
| 8 | P4G0021 | 2nd gear complete | VS4...LN3 | 1 |
| 8 | S4G024A | 2nd gear complete | VS4...NN4 | 1 |
| 8 | P4G0022 | 2nd gear complete | VS4...RN4 | 1 |
| 9 | P4G0023 | 3rd gear complete | VS4...L/N/R | 1 |
| 10 | P4G0024 | Coupling | VS4...L/N/R | 1 |
| 11 | P4G0025 | Planetary gear complete | VS4...L/N/R | 1 |

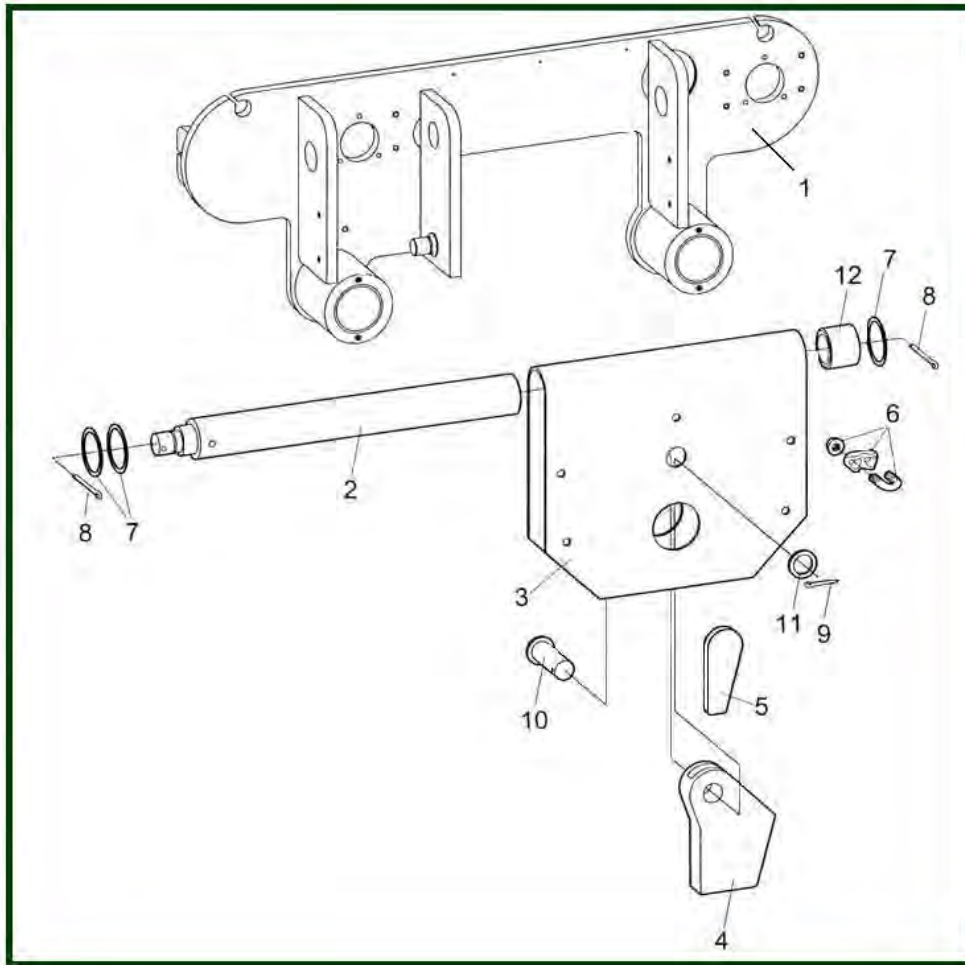
| | | | | |
|----|-----------------|------------------------|---------------|---|
| 12 | <u>P4G0026</u> | Seals | VS4...LN3/RN4 | 1 |
| 12 | <u>P4G0028</u> | Seals | VS4...R/NN4 | 1 |
| 14 | <u>1147550</u> | Gearbox covering plate | VS4...N3/F3 | 1 |
| 15 | <u>830301</u> | Screw HM 10X20 | VS4...N3/F3 | 4 |
| 16 | <u>95118201</u> | Plastic cap | | 2 |

6) Rope anchorage suspension - 2 falls FM and NHT



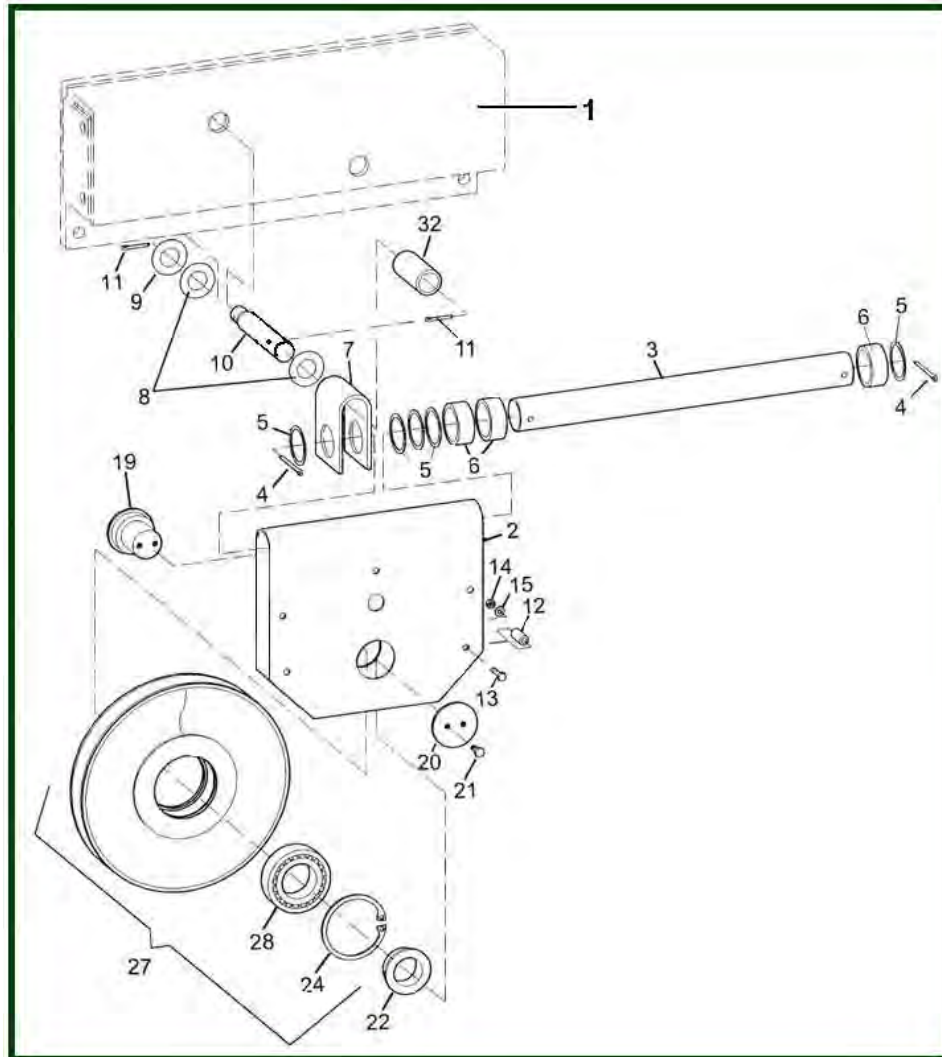
| item | reference | description | observation | Quantity |
|------|--------------------------|--------------------|----------------------|----------|
| 1 | 1144514 | Side plate | VS4...N..B | 1 |
| 1 | 1144614 | Side plate | VS4...N..D | 1 |
| 2 | 1145017 | Side plate | VS4...F..B | 1 |
| 2 | 1145117 | Side plate | VS4...F..D | 1 |
| 4 | 1142634 | Support | FIXE/HPN 2/1 | 1 |
| 4 | 1142534 | Support | FIXE/HPN/HPR 4/1 | 1 |
| 5 | 1143515 | Pivot shaft | | 1 |
| 6 | 8536132E | Key housing | Câble / cable - Ø 13 | 1 |
| 7 | 8536233Q | Key | | 1 |
| 8 | 7333140E | Rope clamp - Ø 14 | | 1 |
| 9 | 832113 | Washers M24 - 2mm | C2 | 2 |
| 10 | 1142549 | Sleeve | | 1 |
| 11 | 7271633Z | Split pin 6.3 x 56 | | 4 |
| 12 | 1145015 | Shaft | | 1 |
| 13 | 8150016 | Washer - Ø 33 | | 5 |
| 14 | 8150017 | Washer - Ø 16 | | 4 |
| - | 1152532 | Plastic sleeve | | 1 |

7) Rope sheave unit - 2 falls - LHT



| item | reference | description | observation | Quantity |
|------|--------------------------|---------------------------|--|----------|
| 1 | 1143514 | Rope anchorage suspension | VS402...RB | 1 |
| 1 | 1143614 | Rope anchorage suspension | VS402...RD | 1 |
| 2 | 1143518 | Beam | | 1 |
| 3 | 94134501 | Support | VS404..4..R VS404..5/6..R | 1 |
| 4 | 8536132E | Key housing | Câble / cable - Ø 13 | 1 |
| 5 | 8536233Q | Key | | 1 |
| 6 | 7333140E | Rope clamp - Ø 14 | | 1 |
| 7 | 8150019 | Washer - 68 x 55 x 1 | SP55X68X2 DIN988 - VS402...R - 1AM/2M/3M | 3 |
| 8 | 7271804K | Split pin | 8 x 70 | 1 |
| 9 | 8150095 | Split pin | | 2 |
| 10 | 1143515 | Pivot shaft | | 1 |
| 11 | 832113 | Washers M24 - 2mm | C2 | 1 |
| 12 | 1143521 | Bushing | VS402...R - 1AM/2M/3M | 1 |

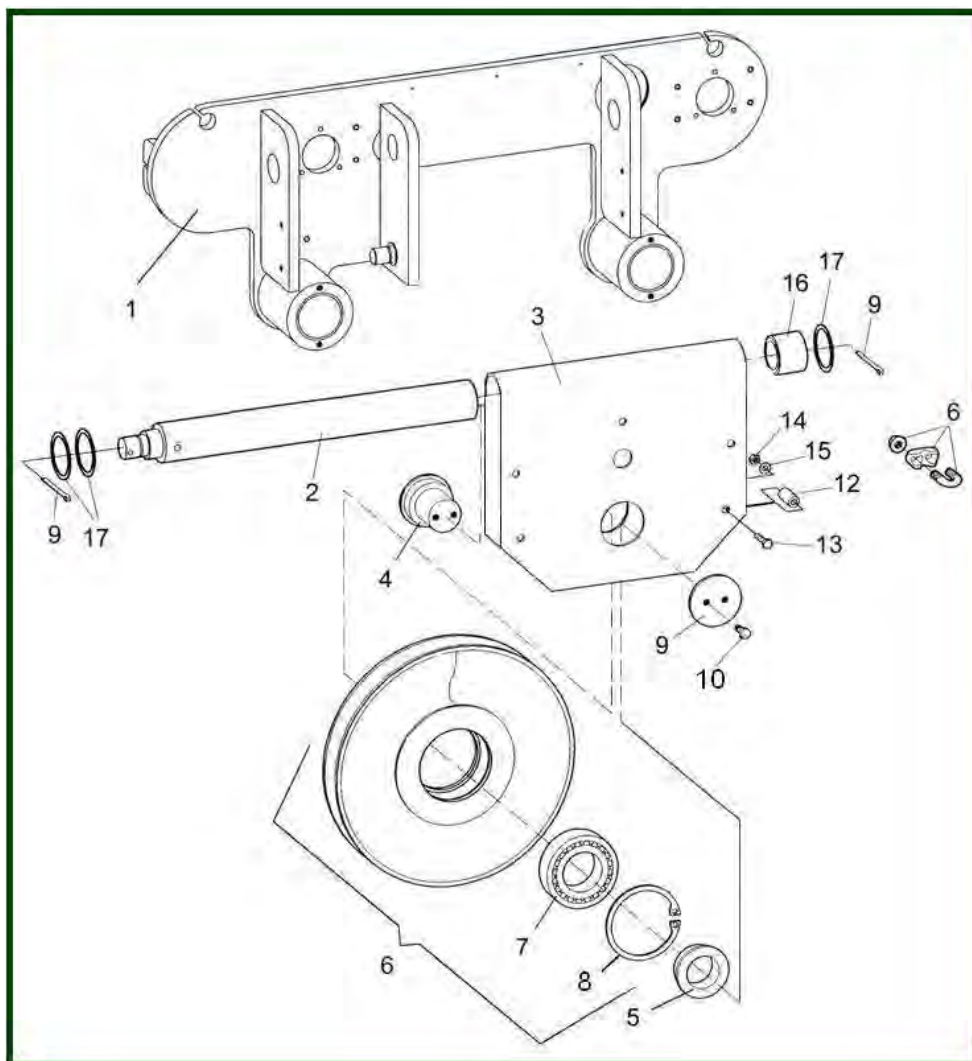
8) Rope sheave unit - 4 falls - FM and NHT



| item | reference | description | observation | Quantity |
|------|--------------------------|----------------------|--|----------|
| 1 | 1145017 | Side plate | VS4...F..B | 1 |
| 1 | 1144514 | Side plate | VS4...N..B | 1 |
| 1 | 1144614 | Side plate | VS4...N..D | 1 |
| 1 | 1145117 | Side plate | VS4...F..D | 1 |
| 2 | 94134501 | Support | VS404..4..R VS404..5/6..R | 1 |
| 3 | 1142518 | Beam | | 1 |
| 4 | 8150091 | Split pin 8x70 | | 2 |
| 5 | 8150019 | Washer - 68 x 55 x 1 | SP55X68X2 DIN988 - VS402...R - 1AM/2M/3M | 5 |
| 6 | 1142521 | Sleeve | | 3 |
| 7 | 1142547 | Support part | VS4042...FOOB | 1 |
| 8 | 8150016 | Washer - Ø 33 | | 4 |
| 9 | 8150017 | Washer - Ø 16 | | 2 |
| 10 | 1145015 | Shaft | | 1 |
| 11 | 7271633Z | Split pin 6.3 x 56 | | 3 |
| 12 | 4751650 | Spring pin | VS5.....D/E - 1AM - 2M/3M | 3 |
| 13 | 83030 | HM screw 10 x 70 | 1 AM - 2M/3M | 3 |
| 14 | 831507 | Nut HM10 | PRC2/3 - 1AM - 2M/3M | 3 |

| | | | | |
|----|-----------------|--------------------------------------|---|---|
| 15 | <u>7232100D</u> | GROWER washer M10 | DIN12 Standard - Frein automatique/Automatic brake | 3 |
| 19 | <u>1132606</u> | Pulley Shaft | 2/3M - VS404..5/6..R | 1 |
| 19 | <u>1142506</u> | Shaft | VS404..4..R 2/3M | 1 |
| 20 | <u>1132609</u> | Locking plate | 2/3M | 1 |
| 21 | <u>830201</u> | Exterior circlip | C3 | 2 |
| 22 | <u>1142503</u> | Bushing | 2M/3M | 1 |
| 22 | <u>1132603</u> | Sleeve | 2/3M | 1 |
| 24 | <u>8150081</u> | Circlip | 2/3M-VS404..5/6..R - 2/3M | 1 |
| 24 | <u>8130086</u> | Circlip | | 1 |
| 27 | <u>1142520</u> | Complete pulley with bearing D266 | 1AM | 1 |
| 27 | <u>1142620</u> | Complete pulley with bearing - Ø 330 | 2/3M | 1 |
| 28 | <u>7422211K</u> | Bearing | 2/3M | 1 |
| 28 | <u>8130072</u> | Bearing | | 1 |
| 32 | <u>1142549</u> | Sleeve | | 1 |

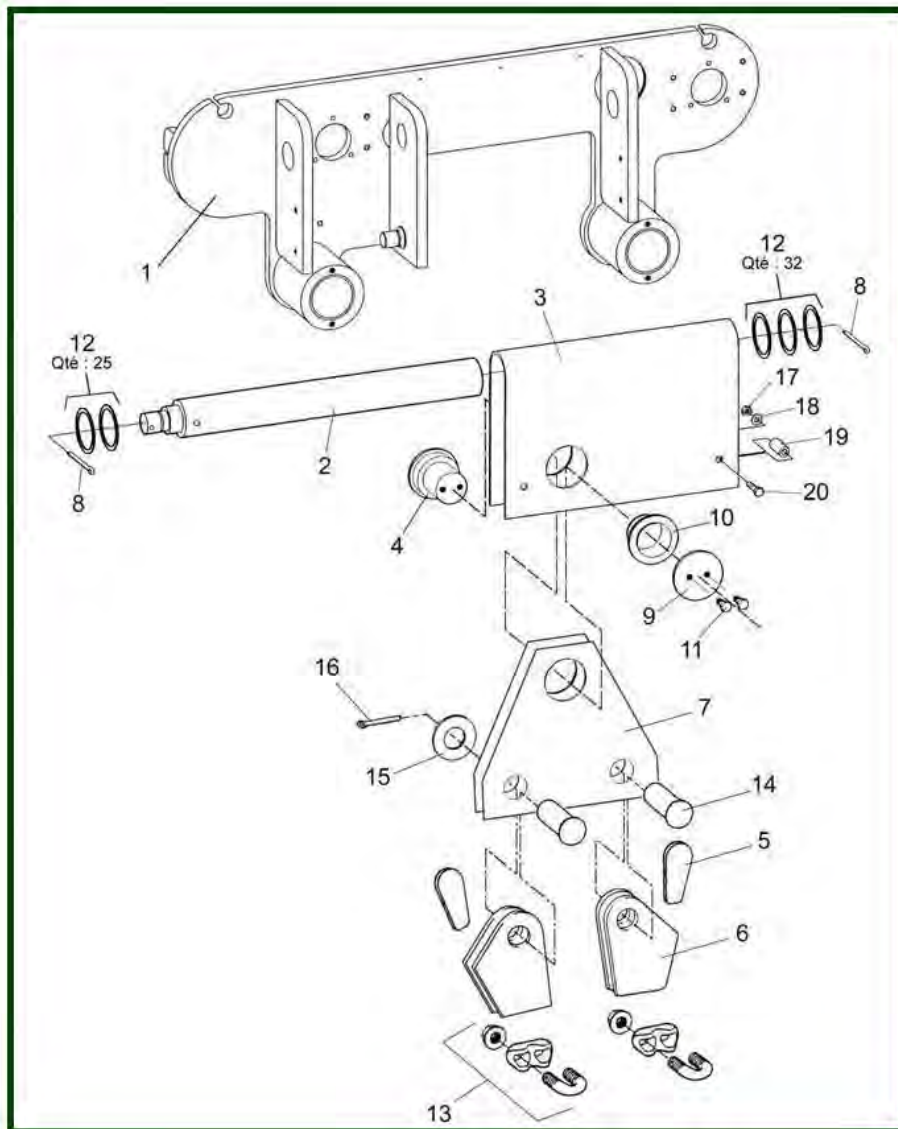
9) Rope sheave unit - 4 falls - LHT



| item | reference | description | observation | Quantity |
|------|--------------------------|--------------------------------------|---------------------------|----------|
| 1 | 1142505 | Rope sheave unit | VS404..4..R | 1 |
| 1 | 1142605 | Rope sheave unit | VS404..5/6..R | 1 |
| 2 | 1142518 | Beam | | 1 |
| 3 | 94134501 | Support | VS404..4..R VS404..5/6..R | 1 |
| 4 | 1132606 | Pulley Shaft | 2/3M - VS404..5/6..R | 1 |
| 4 | 1142506 | Shaft | VS404..4..R 2/3M | 1 |
| 5 | 7422211K | Bearing | 2/3M | 1 |
| 5 | 8130072 | Bearing | | 1 |
| 6 | 8150081 | Circlip | 2/3M-VS404..5/6..R - 2/3M | 1 |
| 6 | 8130086 | Circlip | | 1 |
| 7 | 1142520 | Complete pulley with bearing D266 | 1AM | 1 |
| 7 | 1142620 | Complete pulley with bearing - Ø 330 | 2/3M | 1 |
| 8 | 7333140E | Rope clamp - Ø 14 | | 1 |
| 9 | 7271804K | Split pin | 8 x 70 | 1 |
| 10 | 1132503 | Sleeve | 1Am | 1 |
| 10 | 1132603 | Sleeve | 2/3M | 1 |
| 11 | 8150095 | Split pin | | 1 |

| | | | | |
|----|-----------------|----------------------|---|---|
| 12 | <u>4751650</u> | Spring pin | VS5....D/E - 1AM - 2M/3M | 3 |
| 13 | <u>830330</u> | HM screw 10 x 70 | 1AM - 2M/3M | 3 |
| 14 | <u>831507</u> | Nut HM10 | PRC2/3 - 1AM - 2M/3M | 3 |
| 15 | <u>7232100D</u> | GROWER washer M10 | DIN12 Standard - Frein automatique/Automatic brake | 3 |
| 16 | <u>1143521</u> | Bushing | VS402...R - 1AM/2M/3M | 1 |
| 17 | <u>8150019</u> | Washer - 68 x 55 x 1 | SP55X68X2 DIN988 - VS402...R - 1AM/2M/3M | 1 |
| 18 | <u>1132609</u> | Locking plate | 2/3M | 1 |
| 19 | <u>830201</u> | Exterior circlip | C3 | 2 |
| - | <u>52699499</u> | Anchor point support | > 300mm | 1 |

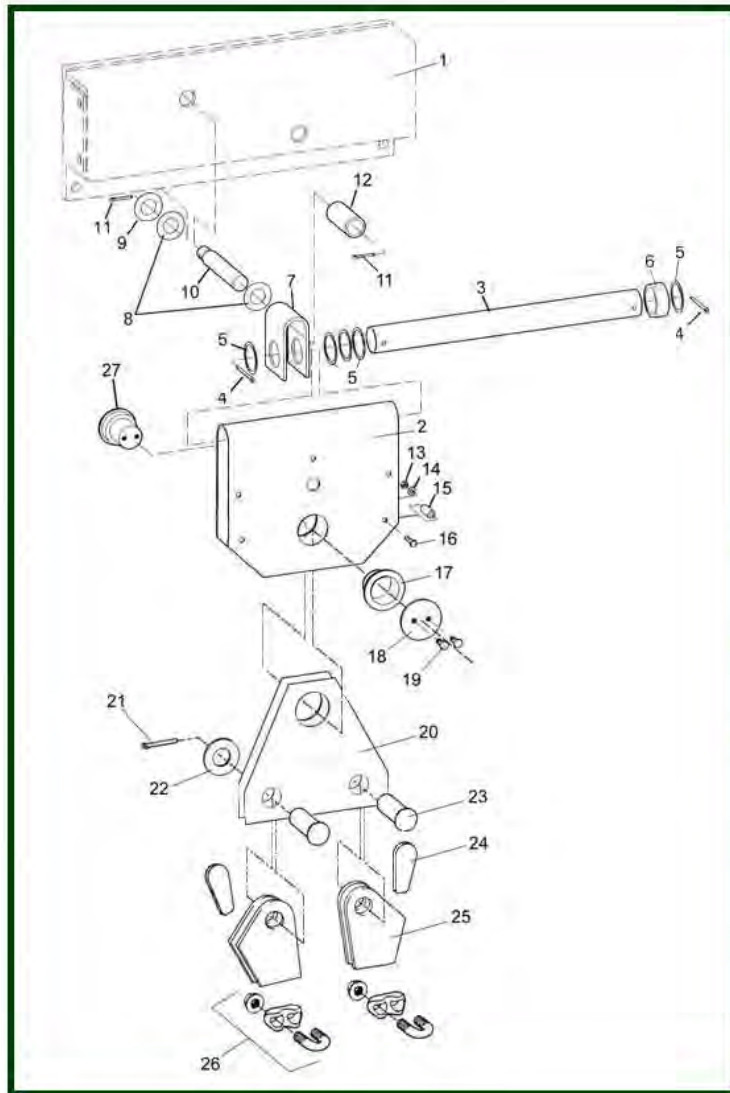
10) Rope encharge suspension true vertical LHT



| item | reference | description | observation | Quantity |
|------|--------------------------|---------------------------|--|----------|
| 1 | 1143514 | Rope anchorage suspension | VS402...RB | 1 |
| 1 | 1143614 | Rope anchorage suspension | VS402...RD | 1 |
| 2 | 1143518 | Beam | | 1 |
| 3 | 94134501 | Support | VS404..4..R VS404..5/6..R | 1 |
| 3 | VS40226A | Support plate for B drum | | 1 |
| 4 | VS40183A | Shaft | | 1 |
| 5 | 1132530 | Key | | 2 |
| 6 | 1132527 | Key housing | | 1 |
| 7 | VS40185A | Lifting beam | | 1 |
| 8 | 7271804K | Split pin | 8 x 70 | 1 |
| 9 | 1132609 | Locking plate | 2/3M | 1 |
| 10 | VS40184A | Sleeve | | 1 |
| 11 | 830201 | Exterior circlip | C3 | 2 |
| 12 | 8150019 | Washer - 68 x 55 x 1 | SP55X68X2 DIN988 - VS402...R - 1AM/2M/3M | 57 |
| 13 | 73331004 | Rope clamp | | 2 |

| | | | | |
|----|-----------------|--------------------|---|---|
| 14 | <u>1112515</u> | Anchor point shaft | | 1 |
| 15 | <u>8110019</u> | Washer - Ø 20 | | 3 |
| 16 | <u>831656</u> | Split pin | | 2 |
| 17 | <u>831507</u> | Nut HM10 | PRC2/3 - 1AM - 2M/3M | 1 |
| 18 | <u>7232100D</u> | GROWER washer M10 | DIN12 Standard - Frein automatique/Automatic brake | 1 |
| 19 | <u>4751690</u> | Spring pin | | 1 |
| 20 | <u>830330</u> | HM screw 10 x 70 | 1AM - 2M/3M | 1 |

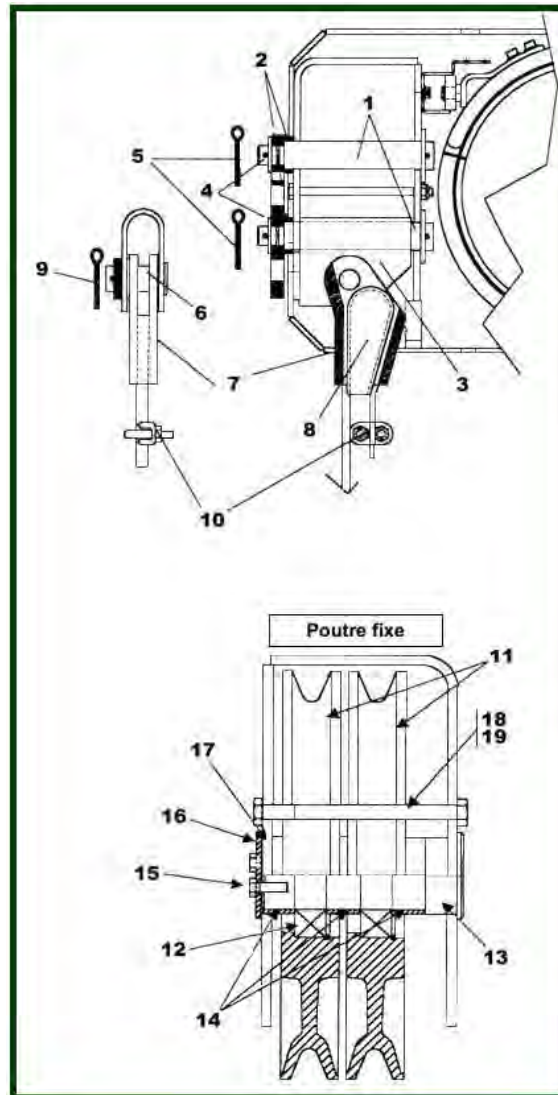
11) Rope enchorage suspension true vertical FM / NHT



| item | reference | description | observation | Quantity |
|------|--------------------------|------------------------------------|--|----------|
| 1 | VS40180A | Fix mounted Load side plate drum D | VS4042...F00D | 1 |
| 1 | 1145017 | Side plate | VS4...F..B | 1 |
| 2 | 94134501 | Support | VS404..4..R VS404..5/6..R | 1 |
| 2 | VS40226A | Support plate for B drum | | 1 |
| 3 | 1142518 | Beam | | 1 |
| 4 | 7271804K | Split pin | 8 x 70 | 2 |
| 5 | 8150019 | Washer - 68 x 55 x 1 | SP55X68X2 DIN988 - VS402...R - 1AM/2M/3M | 6 |
| 6 | 1142521 | Sleeve | | 1 |
| 7 | 1142547 | Support part | VS4042...FOOB | 1 |
| 7 | NCCT | Support part | VS4042...FOOD | 2 |
| 8 | 8150016 | Washer - Ø 33 | | 3 |
| 9 | 8150017 | Washer - Ø 16 | | 1 |
| 10 | 1145015 | Shaft | | 1 |
| 11 | 7271633Z | Split pin 6.3 x 56 | | 2 |
| 12 | 1142549 | Sleeve | | 1 |
| 13 | 831507 | Nut HM10 | PRC2/3 - 1AM - 2M/3M | 2 |

| | | | | |
|----|-----------------|-----------------------|---|---|
| 14 | <u>7232100D</u> | GROWER washer M10 | DIN12 Standard - Frein automatique/Automatic brake | 1 |
| 15 | <u>4751690</u> | Spring pin | | 1 |
| 16 | <u>830330</u> | HM screw 10 x 70 | 1AM - 2M/3M | 1 |
| 17 | <u>VS40184A</u> | Sleeve | | 1 |
| 18 | <u>1132609</u> | Locking plate | 2/3M | 1 |
| 19 | <u>830201</u> | Exterior circlip | C3 | 2 |
| 20 | <u>VS40185A</u> | Lifting beam | | 1 |
| 21 | <u>831656</u> | Split pin | | 1 |
| 22 | <u>7231202C</u> | Washer | | 8 |
| 23 | <u>112515</u> | Fixed point shaft | | 2 |
| 24 | <u>1132530</u> | Key | | 1 |
| 25 | <u>1132527</u> | Key housing | | 1 |
| 26 | <u>7333080Q</u> | Bull dog grip - ø 8,5 | DIN741-6.5 | 1 |
| 27 | <u>VS40183A</u> | Shaft | | 1 |

12) Sheave unit and rope suspension hoist 406



| item | reference | description | observation | Quantity |
|------|--------------------------|--|----------------------|----------|
| 1 | V4BAR01A | Shaft | | 1 |
| 2 | 4BAR03A | Sleeve | | 4 |
| 3 | 4BAR02A | Fixed point support | | 1 |
| 4 | 8150017 | Washer - Ø 16 | | 4 |
| 5 | 7271633Z | Split pin 6.3 x 56 | | 4 |
| 6 | 1143515 | Pivot shaft | | 1 |
| 7 | 8536132E | Key housing | Câble / cable - Ø 13 | 1 |
| 8 | 8536233Q | Key | | 1 |
| 9 | 7271505K | Pin 5 x 50 | | 1 |
| 10 | 7333140E | Rope clamp - Ø 14 | | 1 |
| 11 | 1142620 | Complete pulley with bearing - Ø 330 | 2/3M | 2 |
| 12 | 7422211K | Bearing | 2/3M | 1 |
| 13 | 4BAU01A | Pulley Shaft | | 1 |
| 14 | V4BAU05A | Sleeve | | 3 |
| 15 | 830205 | Securing screw for brake bar HM 8 x 25 | | 2 |
| 16 | V3SAU02A | Fixing plate | | 1 |

| | | | | |
|----|-----------------|--------------------|----|---|
| 17 | <u>400767</u> | Washer 68 x 55 x 1 | | 1 |
| 18 | <u>7211679f</u> | Screw HM12*160 | | 2 |
| 19 | <u>831510</u> | M12 thin nut | | 2 |
| 20 | <u>832113</u> | Washers M24 - 2mm | C2 | 3 |

13) Overload protection FM, NHT, LHT (Elect. mech.)

TABLEAU DE SYNTHESE DES LIMITEURS VS4/VS5/VS306/VS406
SYNTHETIC TABLES FOR VS4/VS5/VS306/VS406 LIMITOR

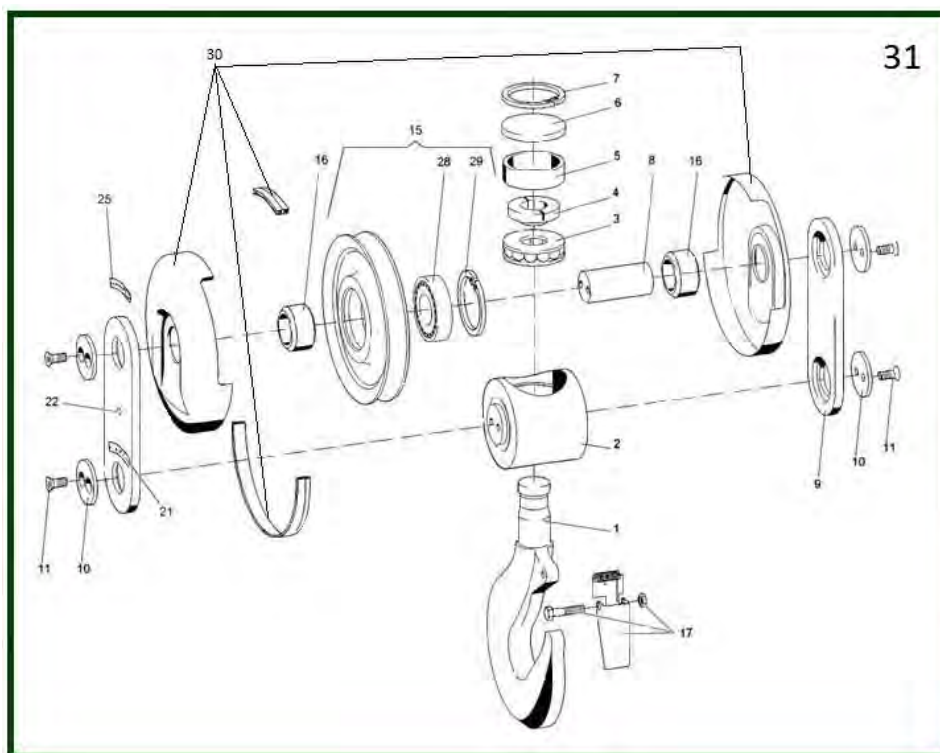
| ANCIEN LIMITEUR (voir page...) OLD LIMITOR | NOUVEAU LIMITEUR (voir page...) NEW LIMITOR |
|---|--|
| 1144500 VS404 HPR (44) *+ 1144501 VS402 HPR (42) *+ 1144602 VS404 HPN, Fixe (V5) *+ 1144502 VS402 HPN Fixe (2) +- 1154502 VS502/04 Fixe HPN (V6) *+ | 1144500 VS404 HPR (V4) 1144501 VS402 HPR (V2) 1144602 VS404 HPN, Fixe (V5) YLS002A VS306 Gr 2M/3M - VS402...V E E YLS003A VS306 Gr 1AM - VS402 Fixe - VS406 VS506 |

* Les codes limiteurs sont restés les mêmes mais les composants ont changés (sauf limiteur mécanique 8111593).
 Les nouveaux composants ne se montent pas sur les anciens produits. Les anciens limiteurs ne sont plus disponibles.
 * The part numbers of the load limiter devices remained the same but the components have changed (except for mechanical load
 limiter device ref 8111593).
 The new components don't fit the old devices. Old limitors are not sold anymore. # Le capteur à effet hall (1111510) n'est plus
 disponible, dans ce cas il faut remplacer tout le limiteur.
 (Utiliser VS402 fixe et HPN ou VS502 fixe et HPN).
 # The old sensor ref 1111510 is no longer available. In this case, the complete load limiter device has to be changed.
 (Use VS402 foot mounted and normal headroom trolley or VS502 Foot mounted and Normal headroom trolley).
 + Les supports (1141500) limiteur mécanique ne sont plus disponible, dans ce cas il faut changer tout le limiteur. (valable pour tous
 les VS4 et les VS5).
 + The supports part n°1141500 for mechanical load limiters are no longer available. In this case, the complete load limiter has to be
 changed, some VS4 AND VS5

EXEMPLE/EXAMPLE:
 Pour commander un nouveau limiteur complet / To place an order for complete load limiter
 Prendre la référence dans le tableau de droite +lot de capteur /Select the reference in the right table + limit switch set
 (Pour VS404 HPR : avec capteur mécanique/For VS404 HPR with mechanical limit switch)
 Ex : 1144500 + 1141550

| item | reference | description | observation | Quantity |
|------|------------------|-----------------------|---|----------|
| 1 | <u>1141550</u> | Mechanical sensor set | VS306/VS404/ 2/6 | 1 |
| 2 | <u>8111593</u> | Limit switch | | 1 |
| 3 | <u>1141520</u> | HALL sensor kit | VS306/VS404/ 2/6 | 1 |
| 4 | <u>LP20UFR10</u> | HALL sensor kit | | 1 |
| 5 | <u>1113547</u> | HALL sensor | HPR/LHT VS306/VS404 2/6 - Jusqu'à mars 1999 / To march 1999 | 1 |

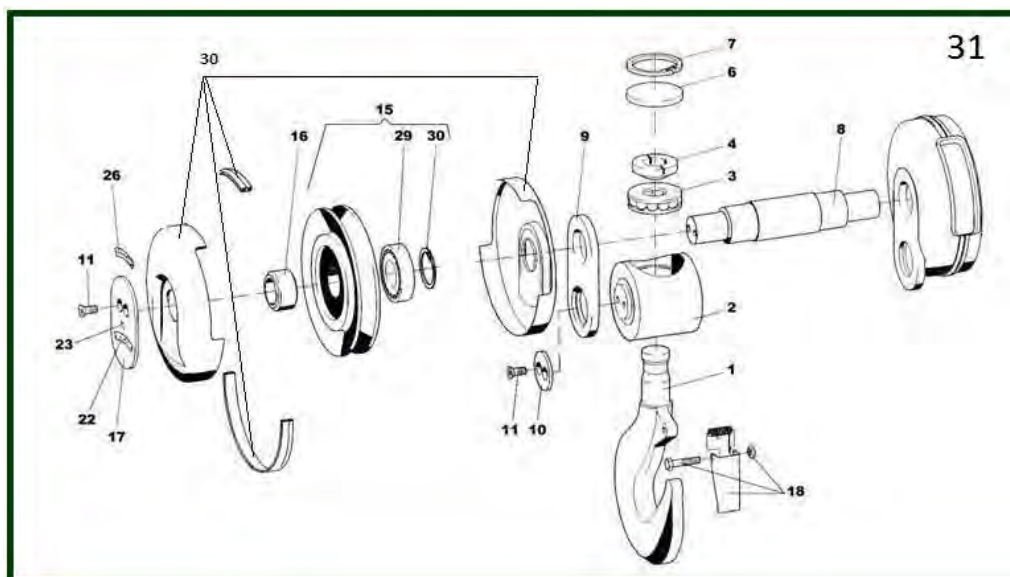
14) Lifting hook - 2 falls



| item | reference | description | observation | Quantity |
|------|--------------------------|--------------------------------------|---|----------|
| 1 | 1132001 | Complete hook block n°2.5 | | 1 |
| 1 | 1132101 | Complete hook RSN4 | 1AM-2/3AM Crochet + Linguet tôle / Hook + Steel plate safety latch | 1 |
| 2 | 1132104 | Beam | | 1 |
| 2 | 1122004 | Beam | | 1 |
| 3 | 8150071 | Thrust bearing | | 1 |
| 3 | 8130071 | Thrust bearing | | 1 |
| 4 | 1132119 | Locking parts | | 1 |
| 4 | 1132019 | Locking parts | | 1 |
| 5 | 1132018 | Safety ring | | 1 |
| 6 | 1132105 | Beam cover | | 1 |
| 6 | 1132005 | Beam cover | | 1 |
| 7 | 7261070T | Circlip | | 1 |
| 7 | 400080 | Retaining ring for bore - Ø 90x3 | | 1 |
| 8 | 1152012 | Pulley shaft | 2/3M | 1 |
| 8 | 1132012 | Pulley shaft | | 1 |
| 9 | 1152035 | Flat bar | 1AM | 1 |
| 9 | 1132135 | Flat bar | | 2 |
| 10 | 1132116 | Locking plate | | 1 |
| 10 | 1112016 | Plate | | 1 |
| 11 | 7216403S | Screw | | 8 |
| 15 | 1142520 | Complete pulley with bearing D266 | 1AM | 1 |
| 15 | 1142620 | Complete pulley with bearing - Ø 330 | 2/3M | 1 |
| 16 | 1152031 | Bush | 1AM | 2 |
| 16 | 1132131 | Bushing | | 2 |
| 17 | 33233003 | Safety catch N°2.5 | | 1 |
| 17 | 33433003 | Safety latch n°4 | | 1 |

| | | | | |
|----|-----------------|-----------------------------|--|---|
| 21 | <u>1142040</u> | Stickers | "VERLINDE" | 2 |
| 22 | <u>1142051</u> | Stickers | "FEM 1 Am" | 1 |
| 22 | <u>1142052</u> | Stickers | "FEM 2 Am" | 1 |
| 22 | <u>1142053</u> | Stickers | "FEM 3 Am" | 1 |
| 25 | <u>1142065</u> | Stickers 75 x 32 | « 3.2 t » | 1 |
| 25 | <u>1142066</u> | Stickers 75 x 32 | « 4 t » | 1 |
| 25 | <u>1142071</u> | Stickers | 5 T | 1 |
| 25 | <u>1142072</u> | Stickers | 6,3 T | 1 |
| 28 | <u>7422211K</u> | Bearing | 2/3M | 1 |
| 28 | <u>8130072</u> | Bearing | | 1 |
| 29 | <u>8150081</u> | Circlip | 2/3M-VS404..5/6..R - 2/3M | 1 |
| 29 | <u>8130086</u> | Circlip | | 1 |
| 29 | <u>52316931</u> | Safety latch | 36312.041667 | 1 |
| 29 | <u>52315932</u> | Safety latch plate type n°4 | Après / After 06/99 | 1 |
| 30 | <u>1152086</u> | Hook cover kit | 2/3M-Demi-coquille + Joints profilés / Cover + Sealing profile | 1 |
| 30 | <u>1132186</u> | Hook cover kit | Demi-coquille + Joints profilés / Cover + Sealing profile | 1 |
| 31 | <u>1142000</u> | Complete hook block | 1Am | 1 |
| 31 | <u>1142100</u> | Complete hook block | 2/3M | 1 |

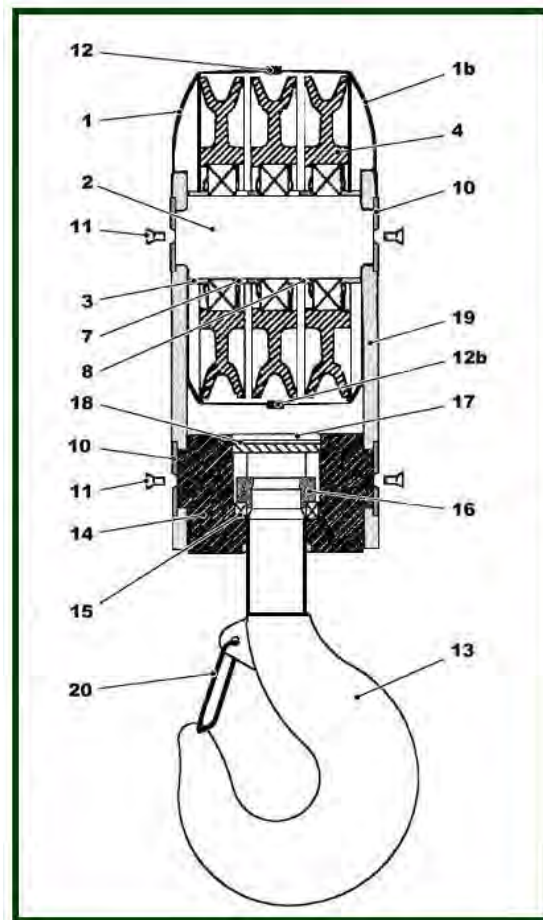
15) Lifting hook - 4 falls



| item | reference | description | observation | Quantity |
|------|--------------------------|--------------------------------------|---|----------|
| 1 | 1152101 | Complete hook n°4 | 2/3M | 1 |
| 1 | 1132101 | Complete hook RSN4 | 1AM-2/3AM Crochet + Linguet tôle / Hook + Steel plate safety latch | 1 |
| 2 | 1152004 | Beam | 2/3M | 1 |
| 2 | 1132104 | Beam | | 1 |
| 3 | 8150074 | Thrust bearing | 2/3M | 1 |
| 3 | 8150071 | Thrust bearing | | 1 |
| 4 | 1152019 | Locking parts | 2/3M | 1 |
| 4 | 1132119 | Locking parts | | 1 |
| 6 | 1152105 | Beam cover | 2/3M | 1 |
| 6 | 1132105 | Beam cover | | 1 |
| 7 | 400080 | Retaining ring for bore - Ø 90x3 | | 1 |
| 7 | 300082 | Safety ring - 110 | 2/3M | 1 |
| 8 | 1152022 | Pulley shaft | 2/3M | 1 |
| 8 | 1132113 | Pulley shaft | | 1 |
| 9 | 1152036 | Flat bar | 2/3M | 1 |
| 9 | 1132136 | Flat bar | | 1 |
| 10 | 1132116 | Locking plate | | 1 |
| 11 | 7216403S | Screw | | 1 |
| 15 | 1142520 | Complete pulley with bearing D266 | 1AM | 1 |
| 15 | 1142620 | Complete pulley with bearing - Ø 330 | 2/3M | 1 |
| 16 | 1152031 | Bush | 1AM | 1 |
| 16 | 1132131 | Bushing | | 1 |
| 17 | 1152017 | Plate | 2/3M | 1 |
| 17 | 1132117 | Plate | | 1 |
| 18 | 1152020 | Safety catch n°5 | 2/3M | 1 |
| 18 | 52315933 | Safety latch | 2/3M | 1 |
| 18 | 33433003 | Safety latch n°4 | | 1 |
| 18 | 52315932 | Safety latch plate type n°4 | Après / After 06/99 | 1 |
| 22 | 1142040 | Stickers | "VERLINDE" | 1 |
| 23 | 1142051 | Stickers | "FEM 1 Am" | 1 |
| 23 | 1142052 | Stickers | "FEM 2 Am" | 1 |

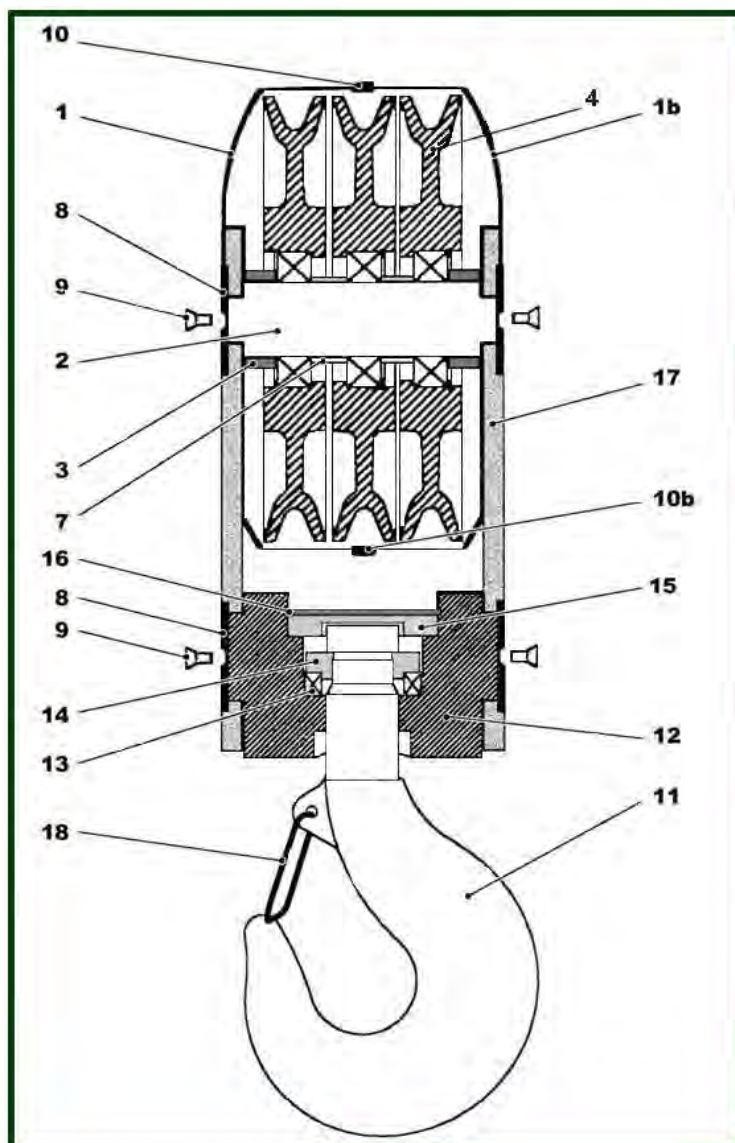
| | | | | |
|----|-----------------|---------------------|--|---|
| 23 | <u>1142053</u> | Stickers | "FEM 3 Am" | 1 |
| 26 | <u>1142071</u> | Stickers | 5 T | 1 |
| 26 | <u>1142072</u> | Stickers | 6,3 T | 1 |
| 26 | <u>1142073</u> | Stickers | 8 T | 1 |
| 26 | <u>1152074</u> | Stickers | "10 T" | 1 |
| 26 | <u>1152075</u> | Stickers | "12,5 T" | 1 |
| 28 | <u>7422211K</u> | Bearing | 2/3M | 1 |
| 28 | <u>8130072</u> | Bearing | | 1 |
| 29 | <u>8150081</u> | Circlip | 2/3M-VS404..5/6..R - 2/3M | 1 |
| 29 | <u>8130086</u> | Circlip | | 1 |
| 30 | <u>1152086</u> | Hook cover kit | 2/3M-Demi-coquille + Joints profilés / Cover + Sealing profile | 1 |
| 30 | <u>1132186</u> | Hook cover kit | Demi-coquille + Joints profilés / Cover + Sealing profile | 1 |
| 31 | <u>1142002</u> | Complete hook block | 1AM | 1 |
| 31 | <u>1142102</u> | Complete hook block | 2/3M | 1 |

16) Lifting hook - 6 falls hoisting gear type N



| item | reference | description | observation | Quantity |
|------|--------------------------|----------------------------------|-----------------|----------|
| 1 | V4HA641A | ½ cover rope sheave | | 1 |
| 1b | V4HA642A | ½ cover rope sheave | | 1 |
| 2 | V4HA608A | Pulley shaft | | 1 |
| 3 | 6BAU03 | Bushing | | 2 |
| 4 | 6P4000 | Return pulley complet | | 1 |
| 7 | 6HC508A | Bushing | | 2 |
| 8 | 6HCS09 | Bushing | | 1 |
| 10 | 1132116 | Locking plate | | 1 |
| 11 | 7216403S | Screw | | 24 |
| 12 | 1152007 | Seal cover | 1Am - Lg 105 mm | 1 |
| 12b | 1152008 | Seal cover | 1Am - Lg 433 mm | 1 |
| 13 | 5HA001B | Hook + latchhook block | | 1 |
| 14 | V4HA607A | Bottom block body | | 1 |
| 15 | 8150074 | Thrust bearing | 2/3M | 1 |
| 16 | 5HA005B | Safety Ring | | 1 |
| 17 | 5HA015A | Cover | | 1 |
| 18 | 400080 | Retaining ring for bore - Ø 90x3 | | 1 |
| 19 | V4HA603A | Flat bar | | 2 |
| 20 | 23233001 | Safety catch | | 1 |
| - | V4A6N00A | Complete hook 18t réducteur N | VS406...NN4 | 1 |

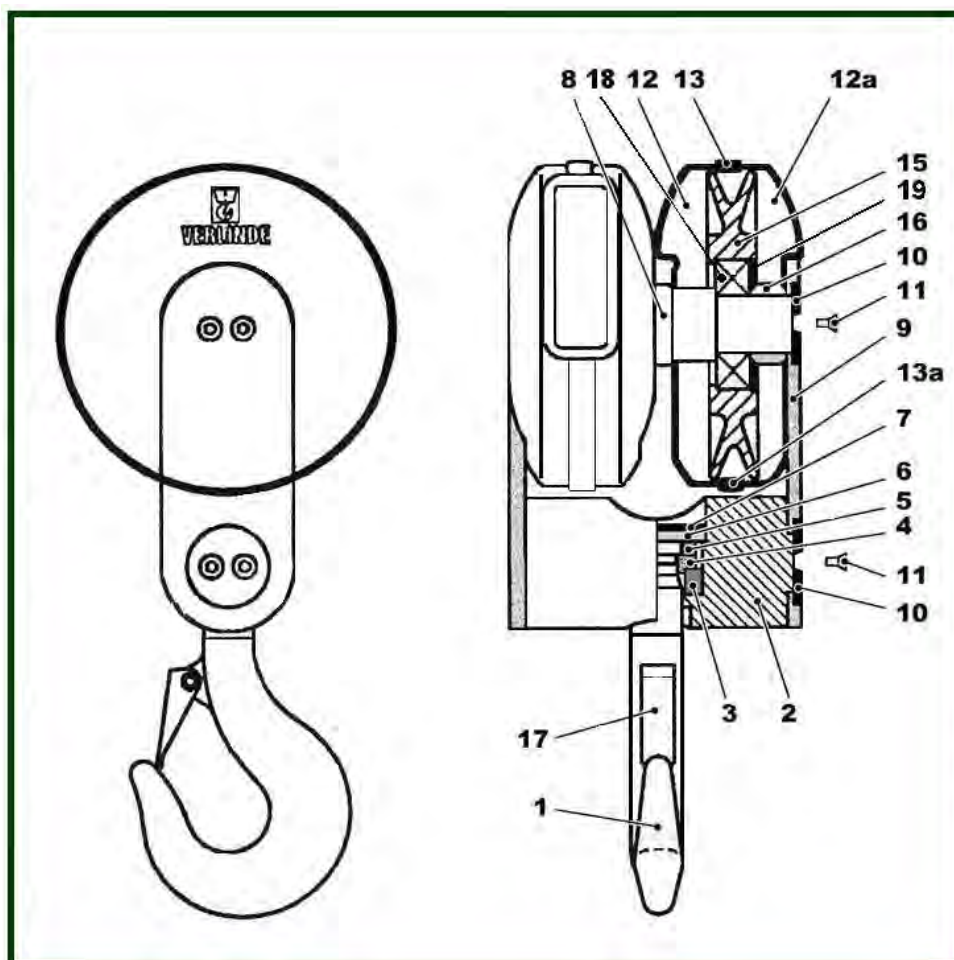
17) Lifting hook, 6 falls, hoisting gear type L-R



| item | reference | description | observation | Quantity |
|------|--------------------------|--------------------------------------|-----------------|----------|
| 1 | V4HA641A | ½ cover rope sheave | | 1 |
| 1b | V4HA642A | ½ cover rope sheave | | 1 |
| 2 | V4HA602A | Pulley shaft | | 1 |
| 3 | V4HA605A | Bushing | | 2 |
| 4 | 1142620 | Complete pulley with bearing - Ø 330 | 2/3M | 1 |
| 7 | V4BAU06A | Bushing | | 2 |
| 8 | 1132116 | Locking plate | | 1 |
| 9 | 7216403S | Screw | | 4 |
| 10 | 1152007 | Seal cover | 1Am - Lg 105 mm | 1 |
| 10b | 1152008 | Seal cover | 1Am - Lg 433 mm | 1 |
| 11 | 1152101 | Complete hook n°4 | 2/3M | 1 |
| 12 | V4HA601A | Bottom block body | | 1 |
| 13 | 8150074 | Thrust bearing | 2/3M | 1 |
| 14 | 1152019 | Locking parts | 2/3M | 1 |
| 15 | 1152105 | Beam cover | 2/3M | 1 |

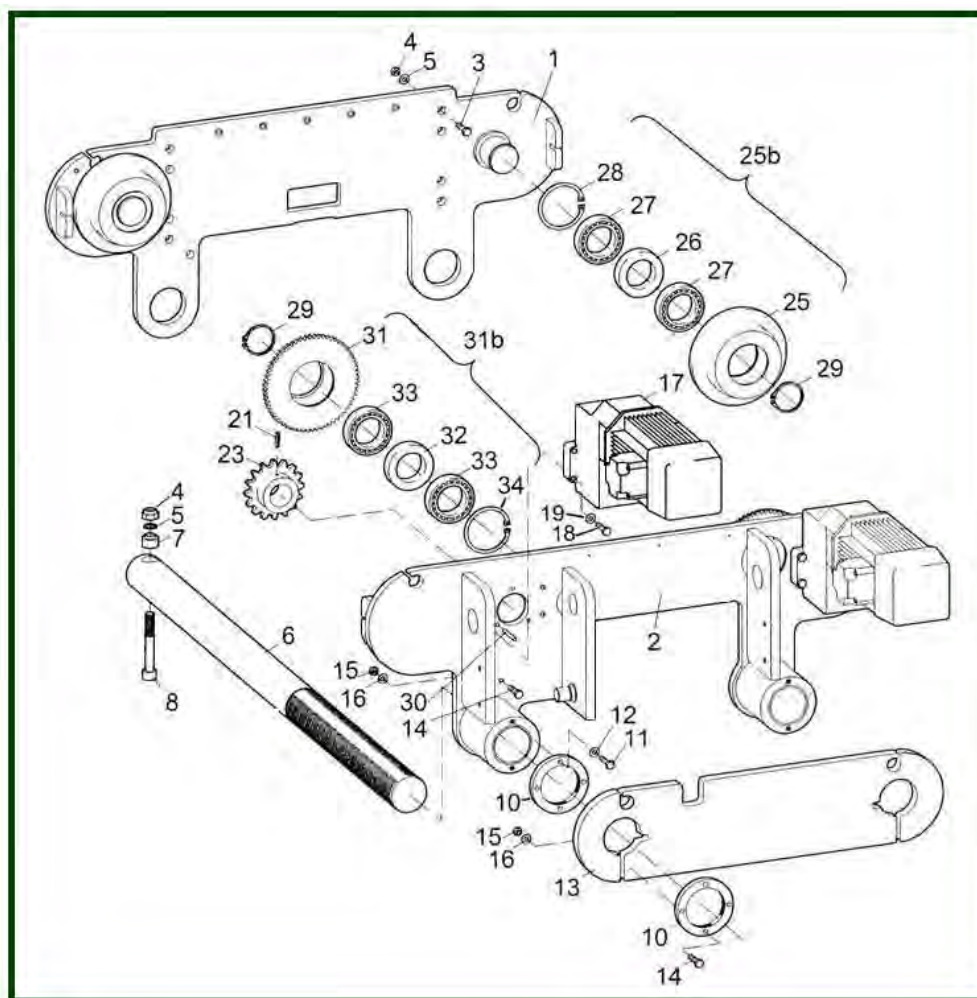
| | | | | |
|----|-----------------|----------------------|---------------------------|---|
| 16 | <u>7261110L</u> | Interior circlip 110 | DA-RD | 1 |
| 17 | <u>V4HA603A</u> | Flat bar | | 2 |
| 18 | <u>1152020</u> | Safety catch n°5 | 2/3M | 1 |
| 18 | <u>52315933</u> | Safety latch | 2/3M | 1 |
| 19 | <u>7422211K</u> | Bearing | 2/3M | 3 |
| 20 | <u>8150081</u> | Circlip | 2/3M-VS404..5/6..R - 2/3M | 1 |
| - | <u>V4A6000A</u> | Complete hook block | VS406... LN3 / RN4 | 1 |

18) Lifting hookblock true vertical 4/2



| item | reference | description | observation | Quantity |
|------|--------------------------|-------------------------------|---|----------|
| 1 | 1132001 | Complete hook block n°2.5 | | 1 |
| 2 | VS40176A | Beam | | 1 |
| 3 | 8130071 | Thrust bearing | | 1 |
| 4 | 1132019 | Locking parts | | 1 |
| 5 | 1132018 | Safety ring | | 1 |
| 6 | 1132005 | Beam cover | | 1 |
| 7 | 7261070T | Circlip | | 1 |
| 8 | VS40175A | Shaft | | 1 |
| 9 | 1132135 | Flat bar | | 2 |
| 10 | 1112016 | Plate | | 4 |
| 11 | 7216403S | Screw | | 8 |
| 15 | 1132620 | Pulley with bearing - Ø 265 | 15+30+31 | 1 |
| 16 | 1132131 | Bushing | | 1 |
| 17 | 33233003 | Safety catch N°2.5 | | 1 |
| 18 | 8130072 | Bearing | | 2 |
| 19 | 8130086 | Circlip | | 2 |
| - | VS40174A | Hookblock | | 1 |
| - | 1132186 | Hook cover kit | Demi-coquille + Joints profilés / Cover + Sealing profile | 2 |
| - | 52315931 | Safety catch plate type N°2.5 | Après / After 06/99 | 1 |

19) Low headroom trolley



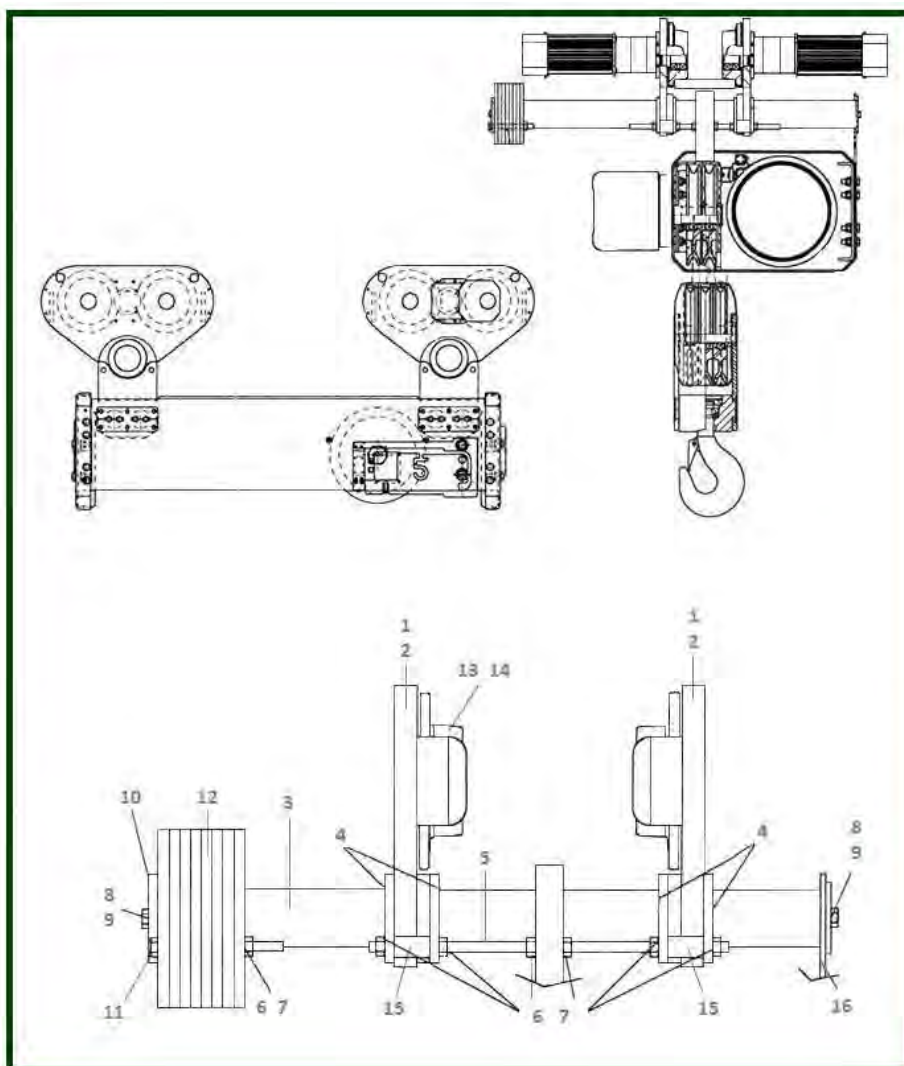
| item | reference | description | observation | Quantity |
|------|--------------------------|---------------------------|------------------|----------|
| 1 | 1143511 | Side plate | (*) VS4...R....B | 1 |
| 1 | 1143611 | Side plate | (*) VS4...R....D | 1 |
| 2 | 1143514 | Rope anchorage suspension | VS402...RB | 1 |
| 2 | 1143614 | Rope anchorage suspension | VS402...RD | 1 |
| 3 | 830611 | HM screw | PRC3 | 8 |
| 4 | 831517 | HM nut - H M16 | PRC3 - C1 | 12 |
| 5 | 7151642Z | M16 Washer | | 20 |
| 6 | 1143541 | Threaded bar* | | 2 |
| 7 | 1143542 | Bushing | | 4 |
| 8 | 8011611 | Screws | | 1 |
| 9 | 1145051 | Side plate - lg 646 | (*) VS4...R....B | 2 |
| 9 | 1145151 | Side plate - lg 926 | (*) VS4...R....D | 1 |
| 10 | 1143543 | Ring | | 4 |
| 11 | 830426 | Screws | | 1 |
| 12 | 7232120A | Grower washer (12) | D & DA & RD | 6 |
| 13 | 1143648 | Counterweight* | VS4...R..D | 1 |
| 13 | 1143548 | Counterweight* | VS4...R...B | 1 |
| 14 | 7211678F | Screws | | 2 |
| 15 | 831512 | Nut | | 1 |

| | | | | |
|-----|-----------------|------------------------------|---|---|
| 16 | <u>7231122R</u> | Washer MU12 | | 4 |
| 18 | <u>8011550</u> | Screw | | 4 |
| 19 | <u>7232100D</u> | GROWER washer M10 | DIN12 Standard - Frein automatique/Automatic brake | 1 |
| 21 | <u>7273458H</u> | Pin | | 1 |
| 23 | <u>1113532</u> | Drive wheel - 19 th | | 2 |
| 25b | <u>1143519</u> | Idle wheel set | VB 16 D : 160 mm | 1 |
| 29 | <u>7261072V</u> | Circlip | | 1 |
| 30 | <u>8110059</u> | Dowell | | 6 |
| 31b | <u>1143508</u> | Driving wheel set | VB16 D : 160 mm | 1 |
| 32 | <u>1143501</u> | Bushing | | 2 |
| 33 | <u>8150070</u> | Bearing | | 4 |
| 34 | <u>300081</u> | Interior circlip | D & DA & RD - 100 I | 2 |
| 35 | <u>1145036</u> | Control box fixing plate | | 1 |
| 36 | <u>1145035</u> | Bracket | | 4 |
| 37 | <u>1143566</u> | Limit switch assembly travel | | 1 |
| 38 | <u>7541312D</u> | Travel limit switch | C1-C2-C3 | 1 |

20) Normal headroom trolley

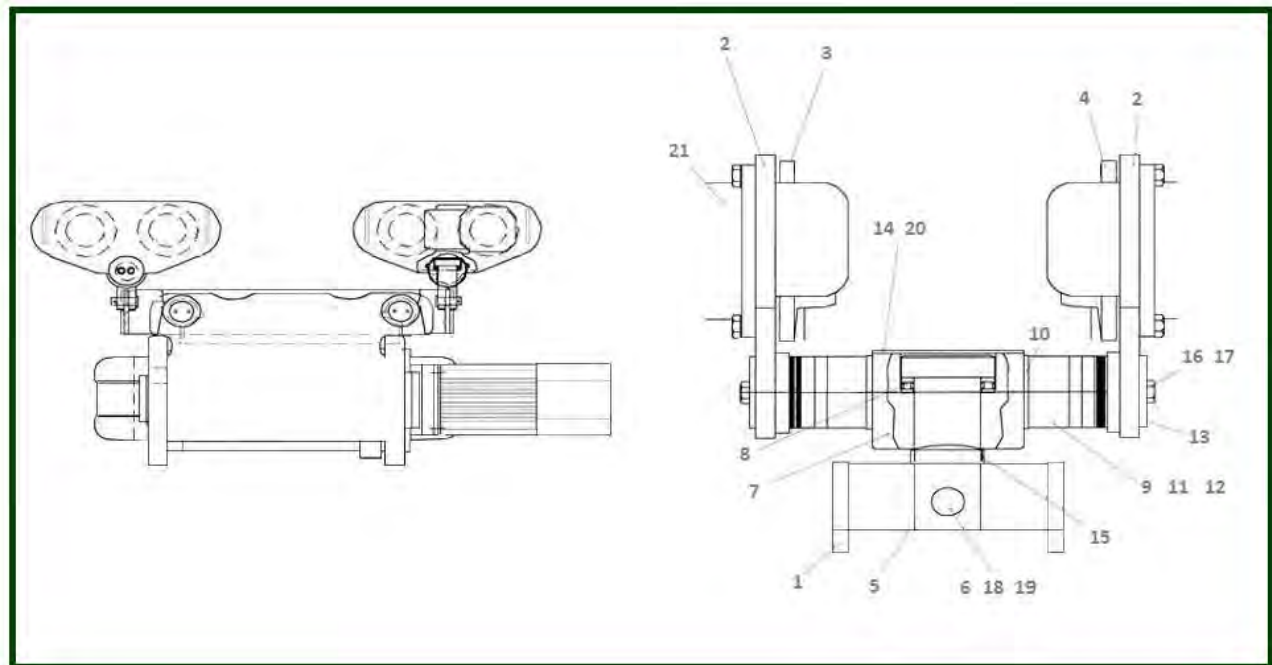
| item | reference | description | observation | Quantity |
|------|--------------------------|----------------------------|--|----------|
| 1 | 1134531 | Side plate | | 2 |
| 1a | 1144514 | Side plate | VS4...N..B | 1 |
| 1a | 1144614 | Side plate | VS4...N..D | 1 |
| 1b | 1144517 | Side plate NHT - lg 646 | (*) VS4...N...B | 1 |
| 1b | 1144617 | Side plate NHT - lg 926 | (*) VS4...N...D | 1 |
| 3 | 1134541 | Tie rod | | 2 |
| 3 | 1134542 | Tie rod | | 2 |
| 4 | 1144543 | Locking plate and screw | | 2 |
| 5 | 8011550 | Screw | | 8 |
| 6 | 7232100D | GROWER washer M10 | DIN12 Standard - Frein automatique/Automatic brake | 8 |
| 7 | 1144505 | Bar | Lg 250 | 8 |
| 8 | 831512 | Nut | | 16 |
| 9 | 1134511 | Bushing | | 8 |
| 10 | 1134545 | Locking plate | | 8 |
| 11 | Suite | Travelling motorgear | GS3...RP+MF07 | 2 |
| 12 | 1113532 | Drive wheel - 19 th | | 2 |
| 13 | 7273458H | Pin | | 2 |
| 14 | 7261072V | Circlip | | 8 |
| 15 | 8110081 | Bearing | | 16 |
| 16 | 400078 | Exterior circlip Ø 35 | C2 | 4 |
| 17 | 8110059 | Dowell | | 6 |
| 18b | 1133508 | Geared travel wheel | Chariot 1 GMR (2) - Chariot 2 GMR (4) - VB13 - Ø 125mm | 1 |
| 19b | 1133507 | Ungeared wheel | Chariot 1 GMR (2) - Chariot 2 GMR (4) - VB13 - Ø 125mm | 1 |
| - | 1144566 | Limit switch assy (travel) | 14+15+19 | 1 |
| - | 7541312D | Travel limit switch | C1-C2-C3 | 1 |

21) Normal headroom trolley 406



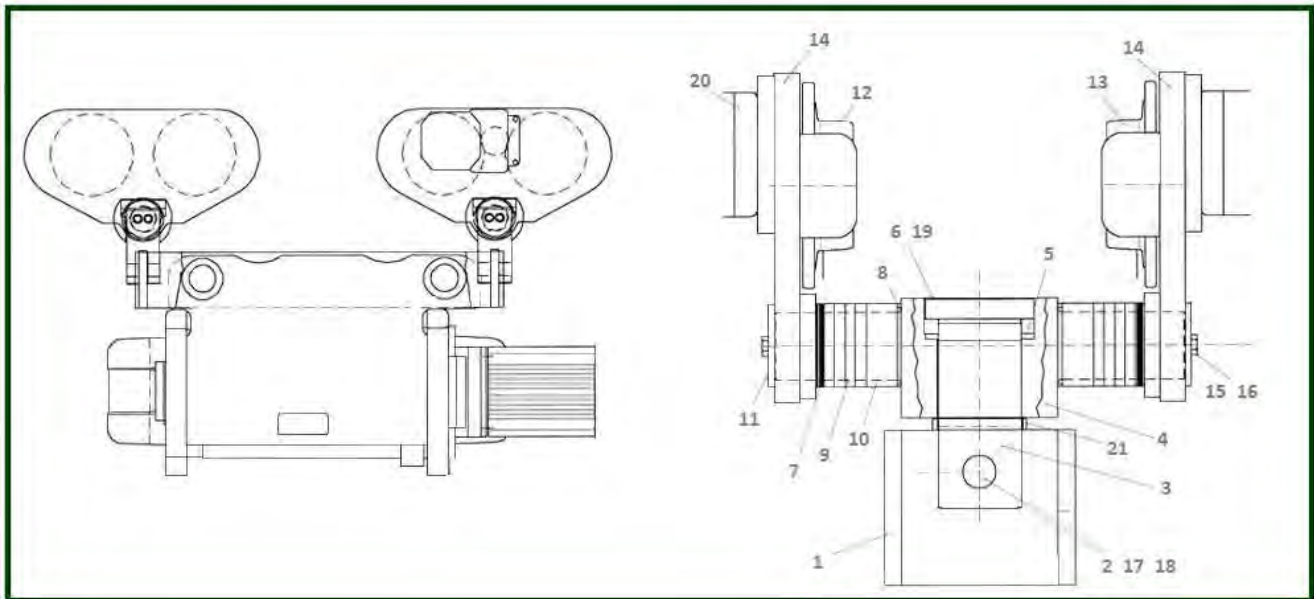
| item | reference | description | observation | Quantity |
|------|--------------------------|------------------------|--------------------------|----------|
| 1 | 1154531 | Flange | A la commande / On order | 4 |
| 3 | V4NB602A | HPN 406 shaft | | 2 |
| 4 | 1144545 | Clamping plate | | 8 |
| 5 | 1114508 | Screw rod - M16 Lg 350 | | 4 |
| 6 | 831517 | HM nut - H M16 | PRC3 - C1 | 28 |
| 7 | 7232160V | Washer M16 | | 1 |
| 8 | 830425 | HM screw 12 x 30 | | 4 |
| 9 | 8130018 | M12 flat washer | Vis à coller | 1 |
| 10 | V5NA003A | Tie rod stop | A la commande / On order | 2 |
| 11 | 7211827T | HM screw 16 x 140 | | 4 |
| 12 | V4NB603A | Counterweight | A la commande / On order | 1 |
| 13 | 1143508 | Driving wheel set | VB16 D : 160 mm | 4 |
| 14 | 1143519 | Idle wheel set | VB 16 D : 160 mm | 4 |
| 15 | 1144511 | Beam | | 8 |
| 16 | V4NB601A | Locking plate support | | 2 |

22) Swivelling trolley



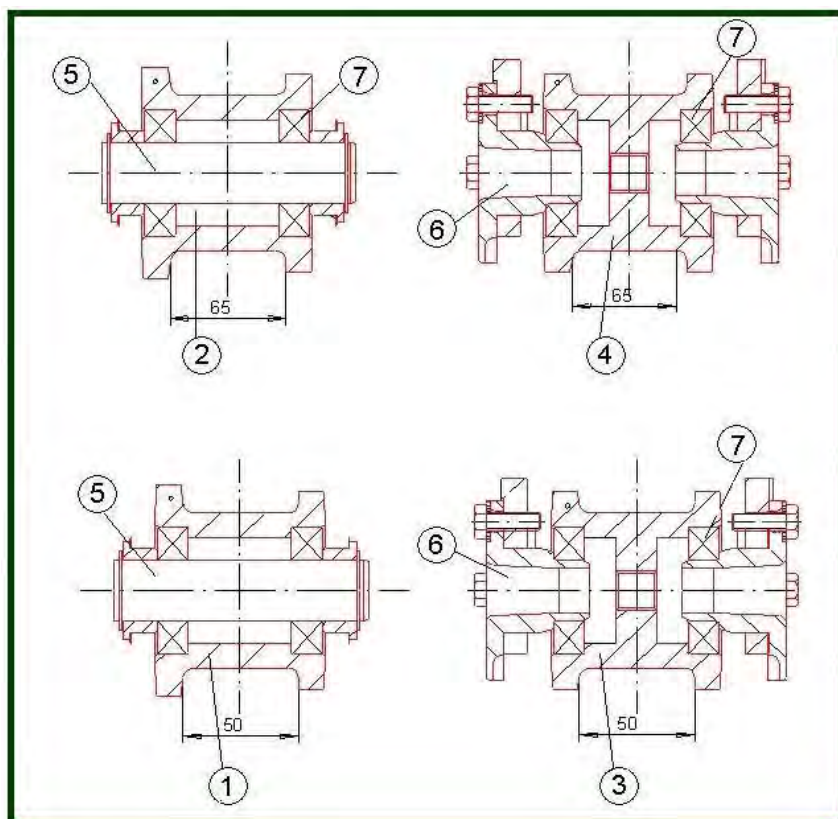
| item | reference | description | observation | Quantity |
|------|--------------------------|--|--|----------|
| 1 | V1RAB02A | Beam | VS4...OB | 1 |
| 1 | NCVS4T | Beam | VS4...OD | 1 |
| 2 | 1114531 | Motor side plate | | 2 |
| 3 | 1113507 | Idle wheel set - Ø 100 | VB10D:100mm - VB10D - VS2..R..O (VSX) 2 roulements + 1 circlip + 1 galet porteur 2 Bearings + 1 circlip + 1 geared wheel | 4 |
| 4 | 1113508 | Driving wheel set - Ø 100 | VB10D:100mm - VB10D - VS2..R..O (VSX) 2 roulements + 1 circlip + 1 galet moteur 2 Bearings + 1 circlip + 1 geared wheel | 4 |
| 5 | 1139002 | Pivoting shaft | | 2 |
| 6 | 1143515 | Pivot shaft | | 2 |
| 7 | 1139003 | Pivot tie rod | | 1 |
| 8 | 51110 | Thrust ball bearing | | 1 |
| 9 | 1139007 | Adjustement sleeve | | 40 |
| 10 | V1RAB18A | Sleeve - th. 4 | | 4 |
| 11 | 1139008 | Sleeve - th. 10 | | 8 |
| 12 | 1139108 | Sleeve - th. 30 | | 4 |
| 13 | 1139006 | End washer | | 1 |
| 14 | 1139005 | Cover | | 2 |
| 15 | V1RAB17A | Stabilizing washer | | 1 |
| 16 | 830205 | Securing screw for brake bar HM 8 x 25 | | 8 |
| 17 | 7232081H | Washer | | 1 |
| 18 | 8150095 | Split pin | | 4 |
| 19 | 832113 | Washers M24 - 2mm | C2 | 1 |
| 20 | 7211151H | Screw | | 8 |
| 21 | Suite | Travelling motorgear | GS3...RP+MF07 | 2 |

23) Swivelling trolley 4/1 and 2/1



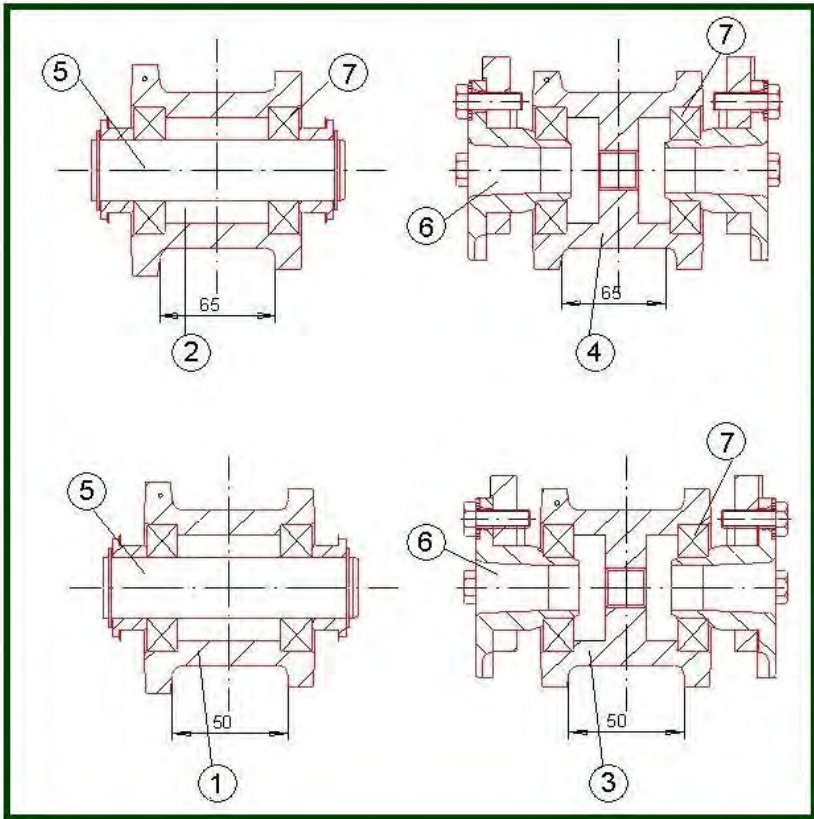
| item | reference | description | observation | Quantity |
|------|--------------------------|----------------------|--|----------|
| 1 | V4RAB13A | Beam | VS4...OD&OE | 1 |
| 2 | V4RAB14A | Pivot shaft | | 2 |
| 3 | V4RAB15A | Shaft | | 1 |
| 4 | V4RAB16A | Pivot tie rod | | 1 |
| 5 | 51116 | Thrust rollerbearing | | 1 |
| 6 | V4RAB17A | Cover | | 1 |
| 7 | V4RAB18A | Adjustment sleeve | | 48 |
| 8 | V4RAB19A | Sleeve - th. 4 | | 8 |
| 9 | V4RAB20A | Sleeve - th. 10 | | 16 |
| 10 | V4RAB21A | Sleeve - th. 30 | | 8 |
| 11 | V4RAB22A | End washer | | 4 |
| 12 | 1133508 | Geared travel wheel | Chariot 1 GMR (2) - Chariot 2 GMR (4) - VB13 - Ø 125mm | 1 |
| 13 | 1133507 | Ungeared wheel | Chariot 1 GMR (2) - Chariot 2 GMR (4) - VB13 - Ø 125mm | 1 |
| 14 | 1134531 | Side plate | | 1 |
| 15 | 830425 | HM screw 12 x 30 | | 8 |
| 16 | 7231122R | Washer MU12 | | 1 |
| 17 | 831662 | Pin | | 4 |
| 19 | 7211151H | Screw | | 8 |
| 20 | Suite | Travelling motorgear | GS3...RP+MF07 | 2 |
| 21 | V1RAB23A | Stabilizing washer | | 2 |
| 22 | 1113532 | Drive wheel - 19 th | | 2 |

24) Double girder trolley hoist 4/1 et 2/1



| item | reference | description | observation | Quantity |
|-------|---------------------|---------------------------------|--|----------|
| 1 | <u>NC SVP11</u> | End carriage | VS402 | 2 |
| 1 | <u>NC SVP14</u> | End carriage | VS402 / VP11 - VS404 / VP14 - VS502 VS504 < 16T | 2 |
| 2 | <u>15503001</u> | Driving wheel set - ø 90 - G50 | VS302..F - VS402 A partir / Since 1999 | 2 |
| 2 | <u>15503005</u> | Driving wheel set - ø 90 - G65 | VS302..F - VS402 A partir / Since 1999 | 2 |
| 2 | <u>15803005</u> | Driving wheel set - ø 110 - G65 | VP11 - VS304..F - VS402 | 2 |
| 2 | <u>25803001</u> | Driving wheel set - ø 140 - G50 | VS404 / VP14 - VS502 VS504 < 16T | 2 |
| 2 | <u>25803005</u> | Driving wheel set - ø 140 - G65 | VS404 / VP14 - VS502 VS504 < 16T | 2 |
| 3 | <u>15503006</u> | Travel wheel set ø 90 - G65 | VS202/VP9 - VS302..F - VS402 A partir / Since 1999 | 1 |
| 3 | <u>15503003</u> | Travel wheel set - ø 90 - G50 | VS202/VP9 - VS302..F - VS402 A partir / Since 1999 | 1 |
| 3 | <u>15803003</u> | Travel wheel set - ø 110 - G50 | VS402 / VP11 - VS204 | 1 |
| 3 | <u>15803006</u> | Travel wheel set - ø 110 - G65 | VS402 / VP11 - VS204 | 1 |
| 3 | <u>25803003</u> | Travel wheel set - ø 140 - G50 | VS404 / VP14 VS502 VS504 < 16T | 1 |
| 3 | <u>25803006</u> | Travel wheel set - ø 140 - G65 | VS404 / VP14 VS502 VS504 < 16T | 1 |
| 4-5-6 | <u>15503007</u> | Buffer set | | 4 |
| 7 | <u>NC TRA</u> | Beam set | | 1 |
| 9 | <u>NC MREDD VS4</u> | Travelling motorgear | | 1 |
| 10 | <u>1137231</u> | Coupling | VS402 < 25mm | 2 |
| - | <u>1137230</u> | Splined shaft | VS402 < 25mm | 1 |

25) Double girder trolley wheel set 4/1 and 2/1



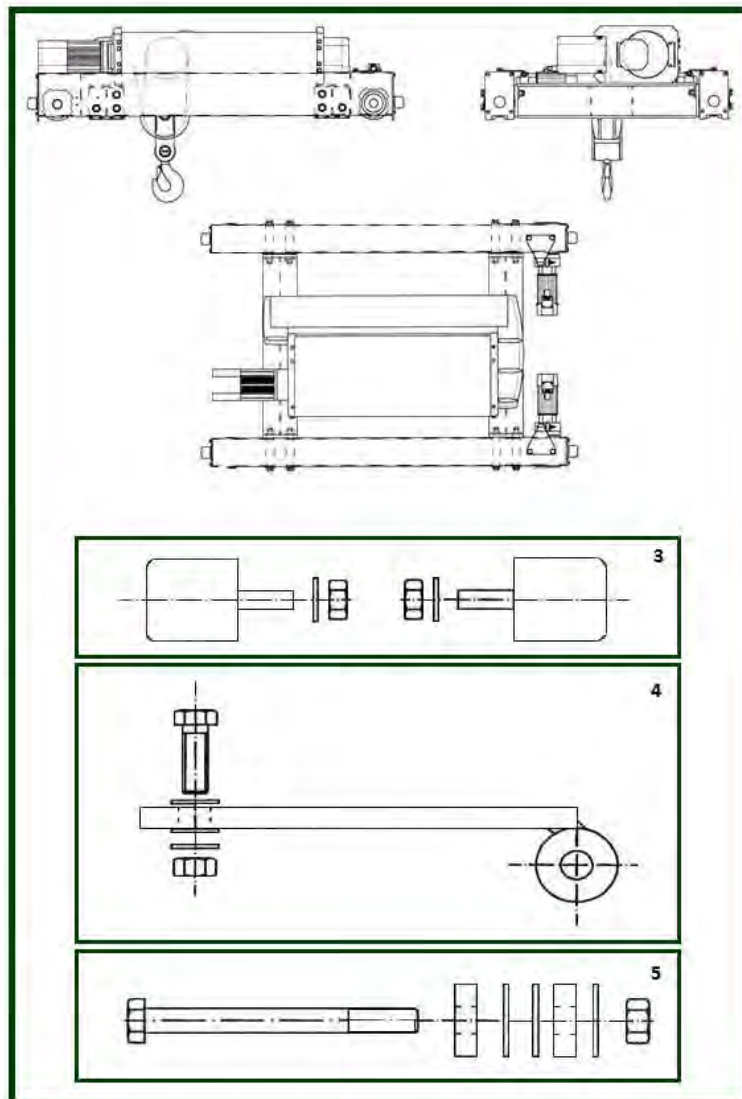
25.1) VS 404-1

| item | reference | description | observation | Quantity |
|-------------|------------------|---------------------------------|------------------------------------|-----------------|
| 1 | <u>25803003</u> | Travel wheel set - ø 140 - G50 | VS404 / VP14 VS502 VS504 < 16T | 1 |
| 3 | <u>25803006</u> | Travel wheel set - ø 140 - G65 | VS404 / VP14 VS502 VS504 < 16T | 1 |
| 5 | <u>25803001</u> | Driving wheel set - ø 140 - G50 | VS404 / VP14 - VS502 VS504 < 16T | 1 |
| 6 | <u>25803005</u> | Driving wheel set - ø 140 - G65 | VS404 / VP14 - VS502 VS504 < 16T | 1 |
| 11 | <u>25803007</u> | Shaft travel wheel | VP14 - VS404 - VS502 - VS504 < 16T | 1 |
| 13 | <u>25803002</u> | Bearing flange set | VP14 - VS404 - VS502 - VS504 < 16T | 1 |
| 14 | <u>7412112U</u> | Bearing compl. | VP14 - VS404 - VS502 - VS504 < 16T | 2 |

25.2) VS 402-1 / VS 404-2

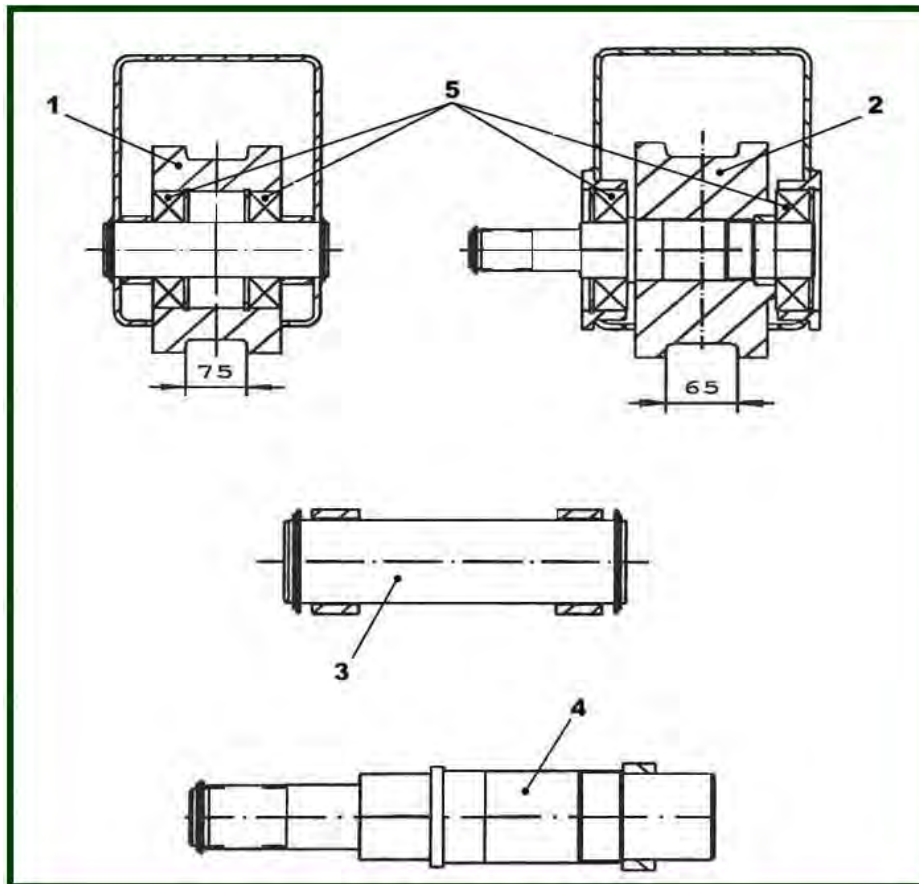
| item | reference | description | observation | Quantity |
|------|-----------------|---------------------------------|-------------------------|----------|
| 1 | <u>15803003</u> | Travel wheel set - ø 110 - G50 | VS402 / VP11 - VS204 | 1 |
| 2 | <u>15803006</u> | Travel wheel set - ø 110 - G65 | VS402 / VP11 - VS204 | 1 |
| 3 | <u>15803001</u> | Driving wheel set - ø 110 - G50 | VP11 - VS304..F - VS402 | 1 |
| 4 | <u>15803005</u> | Driving wheel set - ø 110 - G65 | VP11 - VS304..F - VS402 | 1 |
| 5 | <u>15803004</u> | Shaft travel wheel | VP11 - VS304 - VS402 | 1 |
| 6 | <u>15803002</u> | Bearling-flangeset | VP11 - VS304 - VS402 | 1 |
| 7 | <u>7413082Y</u> | Bearing | VP11 - VS304 | 2 |

26) Double girder trolley 406



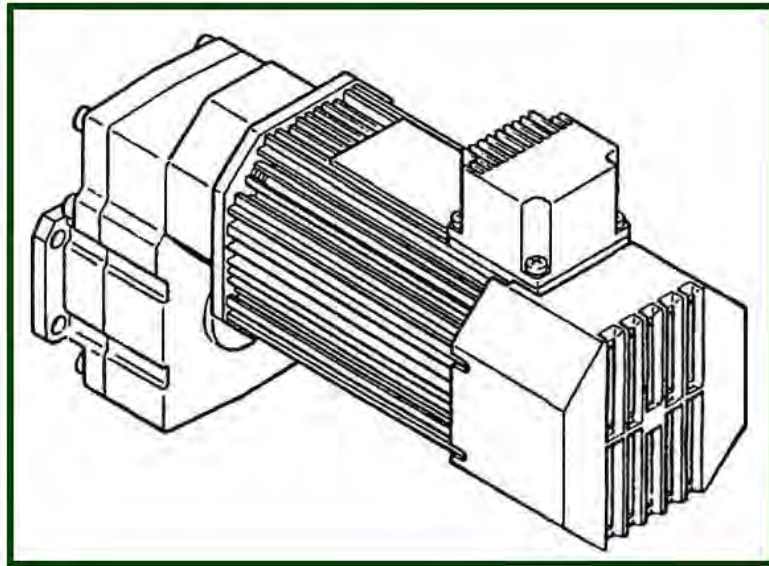
| item | reference | description | observation | Quantity |
|------|-----------------|----------------------|-------------|----------|
| 3 | <u>7911001Q</u> | Buffer set - Ø 100 | | 4 |
| 4 | <u>35803007</u> | Support arm assy | | 2 |
| 5 | <u>35803008</u> | Motorgearbox fixings | GM4 | 2 |

27) Double girder trolley wheel set 6/1



| item | reference | description | observation | Quantity |
|------|--------------------------|---------------------------------|-------------------|----------|
| 1 | 35803003 | Travel wheel set - Ø 200 - G65 | VS502/VS504 < 16t | 2 |
| 1 | 35803006 | Travel wheel set - Ø 200 - G75 | VS502/VS504 < 16t | 2 |
| 2 | 35803001 | Driving wheel set - Ø 200 - G65 | VS502/VS504 < 16t | 2 |
| 2 | 35803005 | Driving wheel set - Ø 200 - G75 | VS502/VS504 < 16t | 2 |
| 3 | 35803004 | Idle shaft set | VS5 - XS5 | 1 |
| 4 | 35803002 | Geared shaft set | VS5 - XS5 | 1 |
| 5 | 7412070M | Bearing | VS5 - XS5 | 8 |

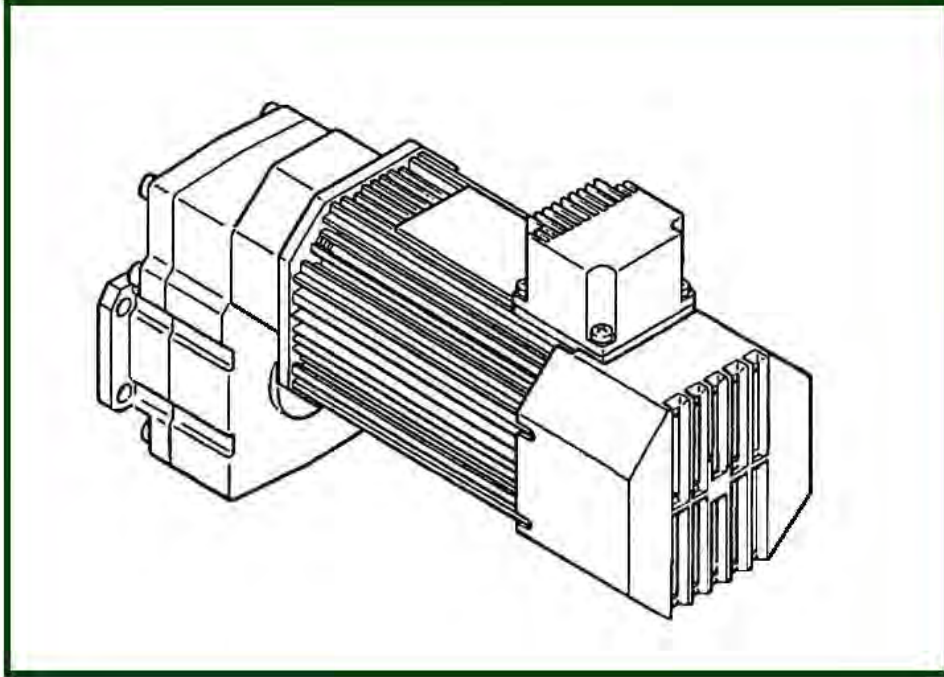
28) Travelling motor



28.1) For NHT and LHT monorail hoist

| item | reference | description | observation | Quantity |
|------|------------------|--|---|----------|
| | <u>1113532</u> | Drive wheel - 19 th | | 1 |
| | <u>NCVS4GCE</u> | External chain guide | Not supplied anymore replaced by 52309591 | 1 |
| | <u>7273458H</u> | Pin | | 1 |
| - | <u>1117510</u> | Gearbox GS115RPC | Vitesse / Speed 20/5 Après avril 1999 / After april 1999 | 1 |
| - | <u>1117509</u> | Gearbox GS120RPC | | 1 |
| - | <u>1117504</u> | Gearbox GS315RPC | Vitesse / Speed 20/5 | 1 |
| - | <u>1117505</u> | Gearbox GS320RPC | | 1 |
| - | <u>1117507</u> | Gearbox GS332RPC | Vitesse / Speed 10/2,5 | 1 |
| - | <u>1117508</u> | Gearbox GS340RPC | | 1 |
| - | <u>25808104P</u> | Travelling motor MF07LA14 3000/750-415V/50Hz-W415V-0,25/0,06KW | Prise plastique après avril 1999 Plastic plug after april 1999 | 1 |
| - | <u>25808104</u> | Travelling motor MF07LA14 3000/750-415V/50Hz-W415V-0,25/0,06KW | Prise Wieland avant avril 1999 Wieland plug before april 1999 GS315RPC : VS304<5T & VS306 | 1 |
| - | <u>25808102P</u> | Travelling motor MF07LA104 3000/750-220V/50Hz-0,25/0,06KW | Prise plastique après avril 1999 Plastic plug after april 1999 GS315RPC : VS304<5T & VS306 | 1 |
| - | <u>25808102</u> | Travelling motor MF07LA104 3000/750-220V/50Hz-0,25/0,06KW | Prise Wieland avant avril 1999 Wieland plug before april 1999 GS315RPC : VS304<5T & VS306 | 1 |
| - | <u>25808103</u> | Travelling motor MF07LA104 3000/750-380V/50Hz-0,25/0,06KW | Prise Wieland avant avril 1999 Wieland plug before april 1999 GS315RPC : VS304<5T & VS306 | 1 |
| - | <u>25808103P</u> | Travelling motor MF07LA104 MF07LA104-3000/750- 380V/50Hz-0,25/0,06KW | Prise plastique après avril 1999 Plastic plug after april 1999 GS315RPC : VS304<5T & VS306 | 1 |
| - | <u>25808302</u> | Travelling motor MF07LB104 3000-750t/mn-220V/50Hz - 0.45/0.11Kw | Prise Wieland avant avril 1999 Wieland plug before april 1999 GS332RPC : VS306 - GS315RPC : VS306 6,3T | 1 |
| - | <u>25808302P</u> | Travelling motor MF07LB104 3000-750t/mn-220V/50Hz - 0.45/0.11KW | Prise plastique après avril 1999 Plastic plug after april 1999 GS332RPC : VS306 - GS315RPC : VS306 6,3T | 1 |
| - | <u>25808303P</u> | Travelling motor MF07LB104 3000-750t/mn-380-400V/50Hz - 0.45/0.11KW | Prise plastique après avril 1999 Plastic plug after april 1999 GS332RPC : VS306 - GS315RPC : VS306 6,3T | 1 |
| - | <u>25808303</u> | Travelling motor MF07LB104 3000-750t/mn-380-400V/50Hz - 0.45/0.11KW | Prise Wieland avant avril 1999 Wieland plug before april 1999 GS332RPC : VS306 - GS315RPC : VS306 6,3T | 1 |
| - | <u>25808304P</u> | Travelling motor MF07LB104 3000-750t/mn-415V/50Hz - 0.45/0.11KW | Prise plastique après avril 1999 Plastic plug after april 1999 GS332RPC : VS306 - GS315RPC : VS306 6,3T | 1 |
| - | <u>25808304</u> | Travelling motor MF07LB104 3000-750t/mn-415V/50Hz - 0.45/0.11KW | Prise Wieland avant avril 1999 Wieland plug before april 1999 GS332RPC : VS306 - GS315RPC : VS306 6,3T | 1 |
| - | <u>25808112</u> | Travelling motor MF07S104 3000-750t/mn - 0.20/0.05kw - 230V/50Hz | Prise plastique après avril 1999 Plastic plug after april 1999 VS302 | 1 |
| - | <u>25808113</u> | Travelling motor MF07S104 3000-750t/mn - 0.20/0.05kw - 400v/50Hz | Prise plastique après avril 1999 Plastic plug after april 1999 VS302 | 1 |

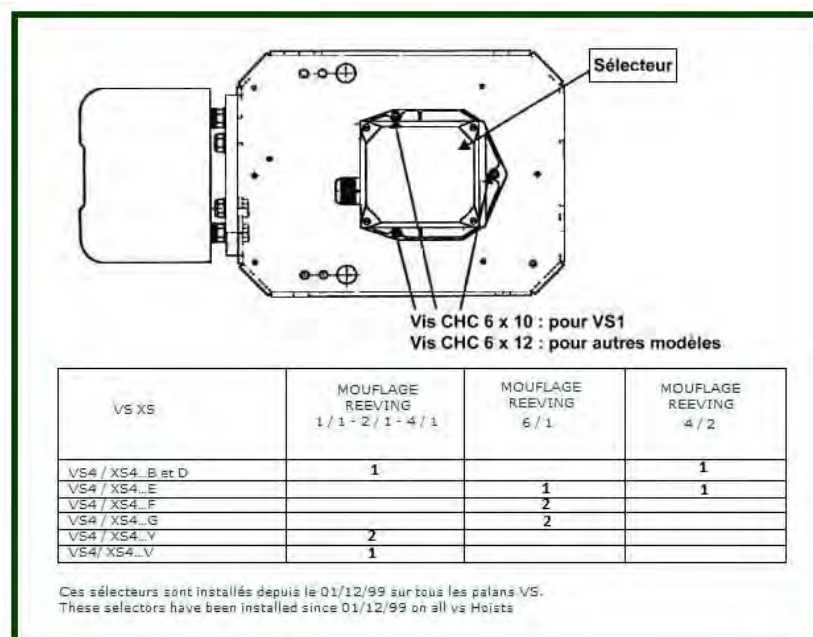
28.2) For birail hoist



29) Electric parts

| item | reference | description | observation | Quantity |
|------|--------------------------|---|---|----------|
| - | 1113014 | Auxiliary block | | 1 |
| - | 1113012 | Auxiliary block | | 1 |
| - | 1113007 | Auxiliary contact LA1D20 | 7536314W | 4 |
| - | 1113044 | Brake rectifier ESD141 For main voltage 230V to 690V | Moteur / Motor P6 à/to P9 | 1 |
| - | 1115062 | Brake rectifier REC12 For main voltage 230V to 690V | Moteur/Motor P1 à/to P5 | 1 |
| - | 1113077 | Circuit breaker | | 1 |
| - | 1113078 | Circuit breaker | | 1 |
| - | 1113003 | Circuit breaker | | 1 |
| - | 1113005 | Circuit breaker | GV2ME07 - AF7 | 1 |
| - | 1113121 | Complete lifting unit | | 1 |
| - | 7531425G | Contacteur | | 1 |
| - | 1113018 | Contacteur | Frein/Brake | 1 |
| - | 8812152B | Control cable | 16x1,5 mm ² | 1 |
| - | 7691114G | Counter cover | | 1 |
| - | 1113094 | Counter support | | 1 |
| - | 7575304B | Fuse 4A | | 1 |
| - | 7575306D | Fuse 6AM | | 1 |
| - | 7573242K | Fuse support | BC31 | 1 |
| - | 1113125 | Hour counter - 48V-50Hz | | 1 |
| - | 1113113 | Limit switch | Jusqu'à / To 30/11/99 | 2 |
| - | 1113030 | Main contactor - 400V/48V- LC1D50E7 | Moteur / Motor P7 - N4 - O-K1 | 1 |
| - | 1103001 | Monitor+connectors | CU1 | 1 |
| - | 1113101 | Monitor+transformer | CU1 | 1 |
| - | 1113043 | Motor protector - 48V | MSL 48C | 1 |
| - | 1113071 | Motor protector - 115V | MSL 115C | 1 |
| - | 1113072 | Motor protector - 230V | MSL 230C | 1 |
| - | 834490 | Push button | 2VL+2VD+AU / 2HS+2CT+ES | 1 |
| - | 1113023 | Reversing contactor | 400V-48V Levage + direction/Hoisting cross travelling LC2ECO9E (7531023V) | 1 |
| - | 1113021 | Selector contactor | 48V | 1 |
| - | 1113029 | Slow and high speed contactor 400V/48V - LC1D258E | Moteur / Motor P4-P5 -7532324J | 1 |
| - | 1113073 | Stopping controller ESD138A - 230V | Moteur / Motor P6 à/to P9 - AD9 | 1 |
| - | 1123056 | Stopping controller ESD138B - 115V | Moteur / Motor P6 à/to P9 - AD9 | 1 |
| - | 1113056 | Stopping controller ESD138C - 48V | Moteur / Motor P6 à/to P9 - NA AD9 | 1 |
| - | 1113051 | Transformer | | 1 |
| - | 7541312D | Travel limit switch | C1-C2-C3 | 1 |

30) Mounting and choosing the came selector



| item | reference | description | observation | Quantity |
|------|-------------------|----------------------------|---|----------|
| 1 | <u>GTES67DZM</u> | Rotating limit switch - 4C | XS2 - VS2...C et Z 1/1-2/1-4/1 Depuis/Since 01/12/99 | 1 |
| 2 | <u>GTES110DZM</u> | Rotating limit switch - 4C | VS2...C et Z 1/1 - 2/1 - 4/1 - Depuis/Since 01/12/99 | 1 |