

Spare parts catalog for "VS5-XS5"

To avoid errors, when ordering please specify:

- Complete type of hoist
- Date of manufacture and serial number
- Spare part code
- Spare part designation
- Additional information



- 0) VS HOIST CODIFICATION
 - 1) COVERS
 - 1.1) Covers -VS5
 - 1.2) Covers - XS5
 - 2) FRAME
- 3) FRAME FM AND NHT VS506
- 4) ROPE DRUM
- 5) GEAR
- 6) ROPE ENCHORAGE SUSPENSION - 2 FALLS FM AND NHT
- 7) ROPE SHEAVE UNIT - 4 FALLS FM AND NHT
- 8) ROPE SHEAVE UNIT - 4/2 FM AND NHT
- 9) OVERLOAD LIMITOR - FROM THE APRIL 1999
- 10) OLD LOAD LIMITOR ASSEMBLING - BEFORE APRIL 1999
- 11) NEW LOAD LIMITOR ASSEMBLING - FROM THE APRIL 1999
- 12) RETURN PULLEY SUBASSEMBLY AND FIXED POINT
- 13) LIFTING HOOKBLOCK - 2 FALLS
- 14) LIFTING HOOKBLOCK - 4 FALLS
- 15) LIFTING HOOKBLOCK - 4/2 ROPED
- 16) LIFTING HOOKBLOCK - 6/1 FALLS
- 17) NORMAL HEADROOM TROLLEY (NHT)
- 18) SWIVELLING TROLLEY (NHT)
 - 18.1) Other
- 19) NORMAL HEADROOM TROLLEY - NHT
- 20) DOUBLE GIRDER TROLLEY PARALEL
- 21) COMPLETE TRAVEL WHEEL AND DRIVING < 16T
- 22) COMPLETE TRAVEL WHEEL AND DRIVING > 16T
- 23) PARALEL DOUBLE GIRDER TROLLEY - 6 FALLS
- 24) BIRAIL WHEEL AND SHAFT SET
- 25) DOUBLE GIRDER TROLLEY PERPENDICULAR
- 26) MOTORGARBOX FOR MONORAIL HOIST
 - 26.1) Before april 1999
 - 26.2) After april 1999
- 27) MOTORGARBOX FOR BIRAIL HOIST
 - 27.1) Before april 1999
 - 27.2) After april 1999
- 28) ELECTRICAL PARTS
- 29) MOUNTING AND CHOOSING THE CAME SELECTOR

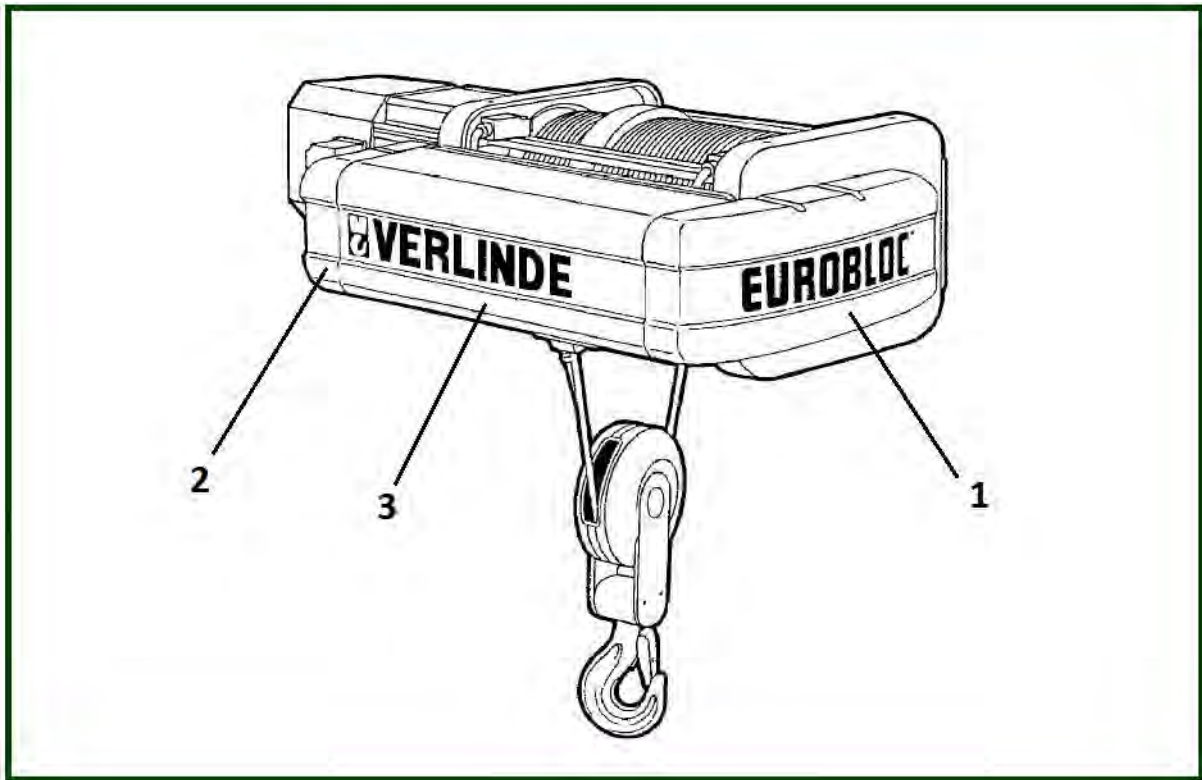
0) VS hoist codification

ABREVIATIONS				ABREVIATIONS				
(Palan) Fixe				F	Foot Mounted hoist			FM
Chariot à Hauteur Perdue Normale				HPN	Normal Headroom Trolley			NHT
Chariot à Hauteur Perdue Réduite				HPR	Low Headroom Trolley			LHT

CODIFICATION DES PALANS VS / VS HOIST CODIFICATION												
PALAN VS												
TAILLE DU CHASSIS												
VS	1											
		1, 2, 3, 4, 5, 6										
		04 1 1	MOUFLAGE	Nombre de brins / Sorties de câbles au tambour / Nombre de « crochets »								
			5	GROUPE ISO	4 = 1Am	5 = 2m	6 = 3m	7 = 4m	X = Spécial			
				R 20	CHARIOT(*) / LARGEUR DE FER (**)							
					<ul style="list-style-type: none"> • (*) R = HPR • N = HPN • P = Birail parallèle • C = Birail perpendiculaire • F = Fixe posé • X = Spécial 		<ul style="list-style-type: none"> • (**) = Monorail • 10 = 80...100 • 15 = 100...150 • 20 = 151...250 • 25 = 201...250 • 30 = 251...300 • 35 = 301...350 • 40 = 351...400 • 45 = 401...450 		<ul style="list-style-type: none"> • /• Birail • 09 = 900 • 14 = 1400 • 17 = 1700 • 20 = 2000 • 24 = 2400 • 27 = 2700 • 31 = 3100 			
				A	LONGUEUR DE CHASSIS / HAUTEUR DE LEVAGE							
					A, B, C, D, E, F, G, H, J, K, L, M, N							
VS	1	04 1 1	5	R 20	A	N	N1	23 5	SE 5	+	25	N
REDUCTEUR / VITESSE												
L = Lent N = Normal R = Rapide X = Spécial												
MOTEUR												
N (1, 2, 3, 4, 5) = 2 vitesses												
H (2, 3, 4) = Service lourd												
F (3, 4, 5, 6) = Variation de vitesse												
X = Spécial												
(1 = 1,9 kW, 2 = 3,5 kW, 3 = 7,5 kW, 4 = 15 kW, 5 = 30 kW)												
TENSION D'ALIMENTATION												
23 5 = 230V / 50 Hz												
40 5 = 400V / 50 Hz												
41 5 = 415V / 50 Hz												
EQUIPEMENT ELECTRIQUE									SE 5			
S = Palan solo												
K = Palan pour kit												
C = Classic												
E = Europe												
H = Hi-tronic												
4 = IP 54												
5 = IP 55												
X = Spécial												
LIMITEUR DE CHARGE										+		
L = Limiteur seul												
M = Monitor												
+ = Limiteur + monitor												
DIRECTION											25	
16 = 16/4												
20 = 20/5												
25 = 25/6,3												
NO = Non												
CH = Chaîne												
XX = Spécial												
CONCEPTION SPECIALE												N
N = Non												
M = Mécanique												
E = Electrique												
D = Divers												

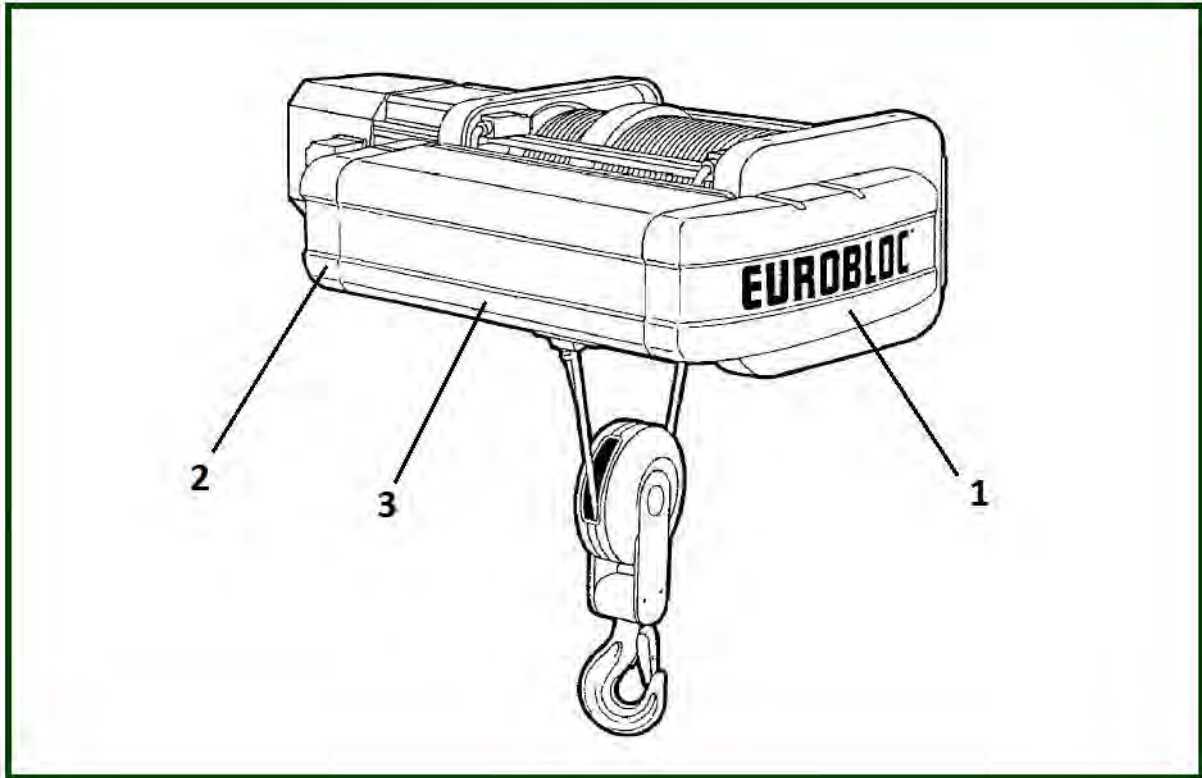
1) Covers

1.1) Covers -VS5



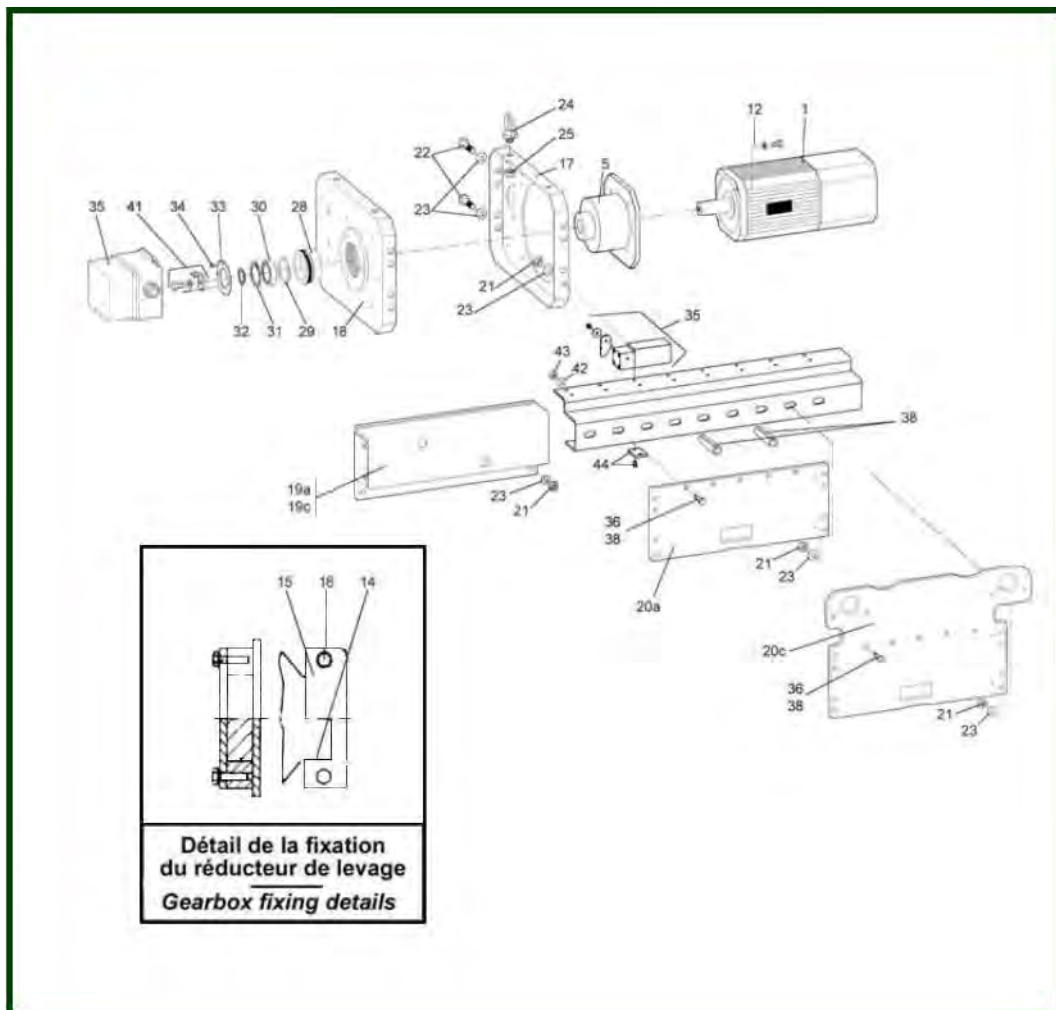
item	reference	description	observation	Quantity
1	1155021	Cover		1
2	1155023	Cover - Motor side		1
3	830924	CHC screw 6x12		8
3	1155034	Cubicle extension	Longueur de chassis E Length of the frame E	1
3	VS5F015A	Cubicle extension	Longueur de chassis F Length of the frame F	1
3	VS5G015A	Cubicle extension	Longueur de chassis G Length of the frame G	1
3	VS5H015A	Cubicle extension	VS506 Longueur de chassis H Length of the frame H	1
3	1145130	Electric cubicle	Longueur de chassis D-E-F-G Length of the frame D-E-F-G	1
3	1155030	Electric cubicle	Longueur de chassis F Length of the frame F	1
3	7231061Z	Flat washer (6)		1

1.2) Covers - XS5



item	reference	description	observation	Quantity
1	<u>S4FAB03B</u>	Opposite motor side cover	Longueur de chassis B et D Length of the frame B and D	1
2	<u>S4FAB01B</u>	Side cover	Longueur de chassis D Length of the frame D	1
2	<u>S5FAE01B</u>	Side cover	Longueur de chassis E Length of the frame E	1
2	<u>S4FAF02B</u>	Side cover	Longueur de chassis F Length of the frame F	1
2	<u>S4FAG02B</u>	Side cover	Longueur de chassis G Length of the frame G	1
2	<u>S4FAH02B</u>	Side cover	Longueur de chassis H Length of the frame H	1
3	<u>NCRC</u>	Cubicle extension	Nous consulter Please, consult us	1
3	<u>NCCE</u>	Electric cubicle	Nous consulter Please, consult us	1

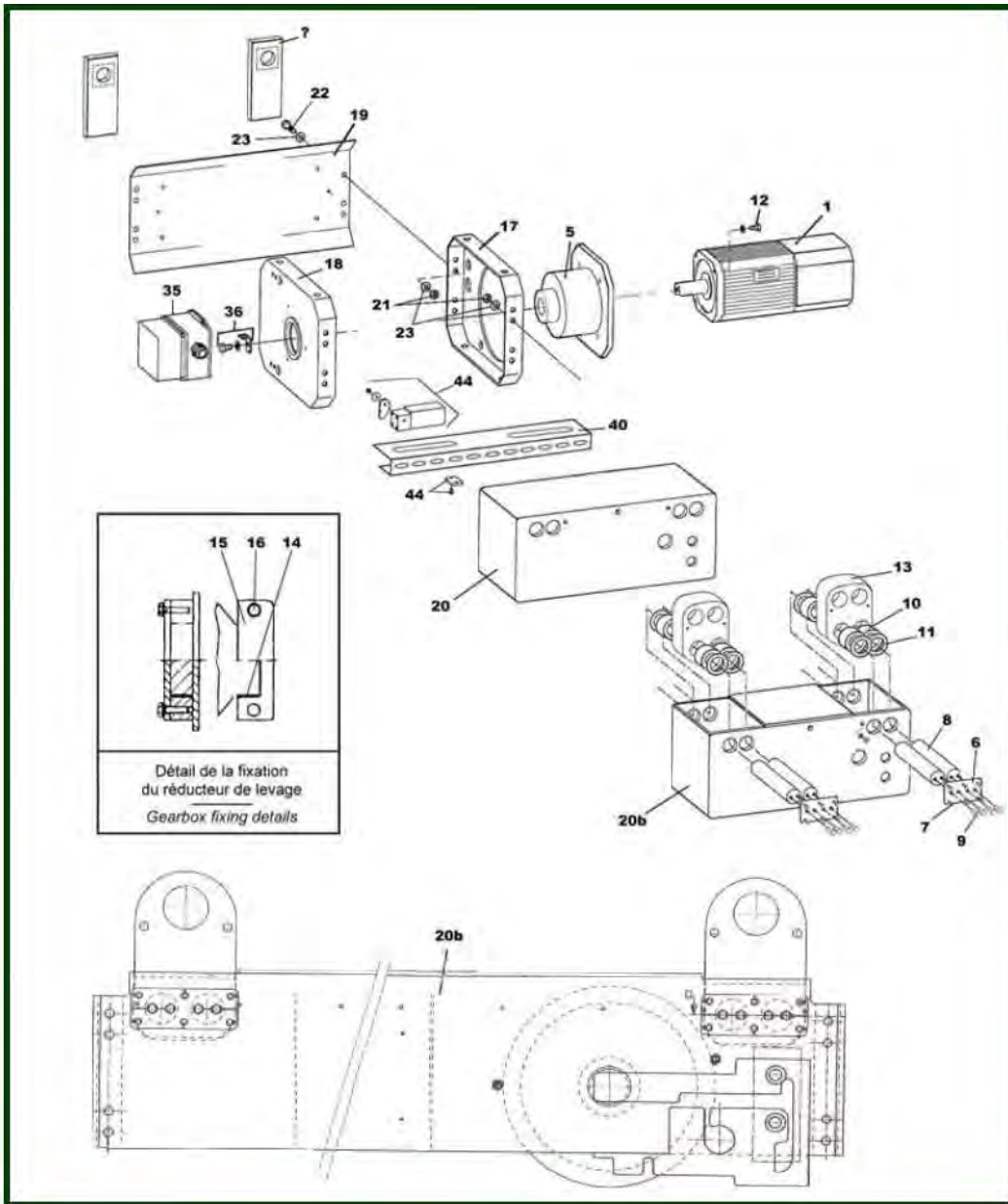
2) Frame



item	reference	description	observation	Quantity
1	1147001	Complete motor 15/2,5Kw 400V/50Hz - 460V/60Hz	N4	1
1	1147002	Complete motor 15/2,5Kw 230V/50Hz	N4	1
1	1147004	Complete motor 15/2,5Kw 380V-50Hz/440V-60Hz	N4	1
1	1147003	Complete motor 15/2,5Kw 415V/50Hz - 480V/60Hz	N4	1
1	1147005	Hoising motor D4 15/2,5Kw - 400V/50Hz	Frein manuel / Manual brake	1
5	1157502	Gear box	5G4400	1
5	1157503	Gear box	5G5500	1
12	7215657F	CHC screw M12 x 35	Moteur / Motor N4	4
12	830622	CHC screw M16 x 40	Moteur / Motor N5	4
14	95118201	Plastic cap		2
15	1151036	Gearing fixing plate		2
16	830301	Screw HM10X20	VS4...N3/F3 - A collar / To stick	4
17	1155050	End plate - Opposite motor side		1
18	1155040	End plate - Motor side		1
19a	1155117	Fixed beam assembly	VS5...F...E	1
19a	1155017	Fixed beam assembly	VS5...F... D	1
19c	1154614	Side plate - NHT trolley 4/2	VS5042...F...E and VS5042...F...D	1
19c	1154514	Side plate - NHT trolley	VS5...N...D	1
20a	1155111	Side plate	VS5...F...E	1
20a	1155011	Side plate	VS5...F... D	1

20c	<u>1154517</u>	Side plate - NHT trolley	VS5...N...D	1
20c	<u>1154617</u>	Side plate - NHT trolley	VS5...N...E	1
21	<u>831598</u>	Nylstop nut M18		16
22	<u>830318</u>	Screw HM 16 X 60		16
23	<u>7151642Z</u>	Washer M16		32
24	<u>1140006</u>	Lifting hook	Fixe (2) - HPN (4) - HPR (1)	4
25	<u>831521</u>	M18 nut - NHT trolley		4
28	<u>1155038</u>	Bearing housing		1
30	<u>7425120H</u>	Ball bearing - Bore 60		1
31	<u>300082</u>	Safety ring - Ø 110	2/3M	1
33	<u>1155039</u>	Locking plate		1
34	<u>830924</u>	CHC screw 6x12		4
35	<u>NCSAC</u>	Cam. Selector		1
35	<u>1113113</u>	Limit switch	Jusqu'au/up to 30/11/99	1
36	<u>7215416U</u>	CHC screw	VS5.....D/E	7
37	<u>7232080G</u>	GROWER washer - Ø 8	VS5.....D/E	7
38	<u>4751650</u>	Spring pin	VS5.....D/E - 1AM - 2M/3M	7
39	<u>831504</u>	Brake washer AZ M8	VS4....B...D - VS5.....D/E	7
40	<u>1151126</u>	Limit switch rail - Lg 1430	VS406...E et F - VS5.....E	1
40	<u>1151026</u>	Limit switch rail - Lg 765	VS406...E et F -VS5.....D	1
41	<u>1144020</u>	Driving part assy	VS4 et VS5 - Depuis / Since 01/12/99	1
49	<u>1152532</u>	Plastic sleeve		1

3) Frame FM and NHT VS506



item	reference	description	observation	Quantity
1	1147001	Complete motor 15/2,5Kw 400V/50Hz - 460V/60Hz	N4	1
1	1147002	Complete motor 15/2,5Kw 230V/50Hz	N4	1
1	1147004	Complete motor 15/2,5Kw 380V-50Hz/440V-60Hz	N4	1
1	1147003	Complete motor 15/2,5Kw 415V/50Hz - 480V/60Hz	N4	1
1	1147005	Hoising motor D4 15/2,5Kw - 400V/50Hz	Frein manuel / Manual brake	1
5	1157502	Gear box	5G4400	1
5	1157503	Gear box	5G5500	1
6	V4NAP65A	Locking plate - NHT Trolley	VS506	2
7	830205	Securing screw for brake bar HM 8 x 25		16
8	V4NAP64A	Shaft		4
9	830425	Screw HM 12 x 30		8
10	V4NAP68A	Sleeve		10
11	8150019	Washer - 68 x 55 x 1	DIN988 - VS402...R - 1AM/2M/3M	10

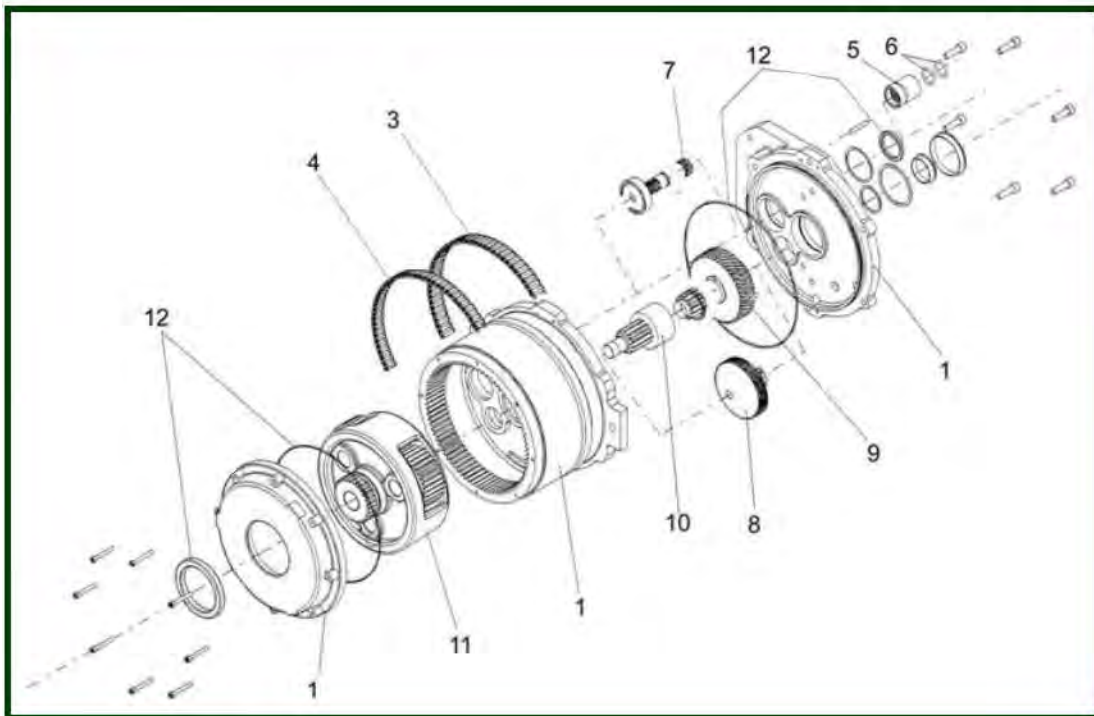
12	<u>7215657F</u>	CHC screw M12 x 35	Moteur / Motor N4	4
12	<u>830622</u>	CHC screw M16 x 40	Moteur / Motor N5	4
13	<u>V4NAP60A</u>	Suspension beam for girder < 350 mm		2
13	<u>V4NAP67A</u>	Suspension crossmember <500 mm	Nous consulter - Pièces à la commande / Consult us - Parts on order	2
14	<u>95118201</u>	Plastic cap		2
15	<u>1151036</u>	Gearing fixing plate		2
16	<u>830301</u>	Screw HM10X20	VS4...N3/F3 - A collar / To stick	4
17	<u>1155050</u>	End plate - Opposite motor side		1
18	<u>1155040</u>	End plate - Motor side		1
19	<u>V5BA11FA</u>	Side plate - 6 falls - Lg 1766	VS506...F	1
19	<u>V5BA11GA</u>	Side plate - 6 falls - Lg 2066	VS506...G	1
19	<u>V5BA11HA</u>	Side plate - 6 falls - Lg 2466	VS506...H	1
20	<u>V5BAP6FA</u>	Load beam - 6 falls - Lg 1766	VS5...F...F	1
20b	<u>V5NAP6FA</u>	Load beam - 6 falls - Lg 1766 - LHT	VS5...N...F	1
20b	<u>V5NAP6GA</u>	Load beam - 6 falls - Lg 2066 - LHT	VS5...N...G	1
20b	<u>V5NAP6HA</u>	Load beam - 6 falls - Lg 2466 - LHT	VS5...N...H	1
21	<u>831598</u>	Nylstop nut M18		16
22	<u>830918</u>	HM 16 x 60 screw		16
23	<u>7151642Z</u>	Washer M16		32
24	<u>1140006</u>	Lifting hook	Fixe (2) - HPN (4) - HPR (1)	4
25	<u>831521</u>	M18 nut - NHT trolley		4
28	<u>1155038</u>	Bearing housing		1
29	<u>8150096</u>	Nylos seal		1
30	<u>7425120H</u>	Ball bearing - Bore 60		1
31	<u>300082</u>	Safety ring - Ø 110	2/3M	1
32	<u>830868</u>	External circlip - Ø 50	VS5	1
33	<u>1155039</u>	Locking plate		1
34	<u>830924</u>	CHC screw 6x12		4
35	<u>NC</u>	Perpendiculaire Retainer	C5	1
36	<u>1144020</u>	Driving part assy	VS4 et VS5 - Depuis / Since 01/12/99	1
38	<u>7232080G</u>	GROWER washer - Ø 8	VS5.....D/E	8
40	<u>1151126</u>	Limit switch rail Lg 1430	VS406...E et F - VS5.....E	1
40	<u>7X1A01FB</u>	Limit switch rail - Lg 1735	VS406...G	1
40	<u>7X1A01GB</u>	Rope guide rail - Lg 2066	VS506...H	1

4) Rope drum



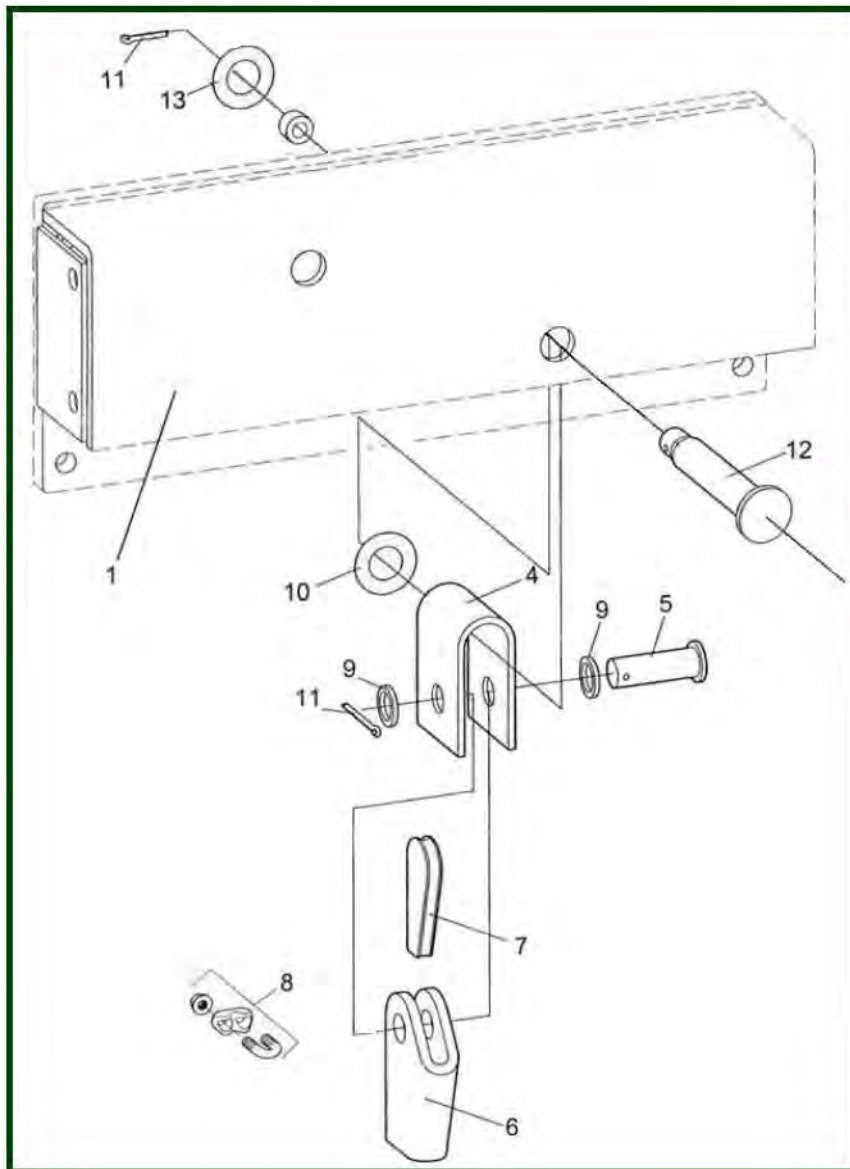
item	reference	description	observation	Quantity
1	<u>1150500</u>	Rope drum - Lg 945	VS5....D	1
1	<u>1150600</u>	Rope drum - Lg 1445	VS5....E,F,G,H	1
2	<u>P5D2037</u>	Complete rope guide - P14,3	VS5...D	1
2	<u>P5D2038</u>	Complete rope guide - P14,3	VS5...G	1
2	<u>1150540</u>	Complete rope guide - P17,5	VS5...D/E	1
4	<u>P5D1031</u>	Support arm + screws		1
8	<u>1151042</u>	Antigratory Rope - Ø 16	VS502	1
9	<u>1151142</u>	Antigratory Rope - Ø 16	VS504	1
10	<u>1151017</u>	Rope clamp	VS5	5
11	<u>830868</u>	External circlip - Ø 50	VS5	1
13	<u>7415120H</u>	Bearing		1
14	<u>8150096</u>	Nylos seal		1

5) Gear



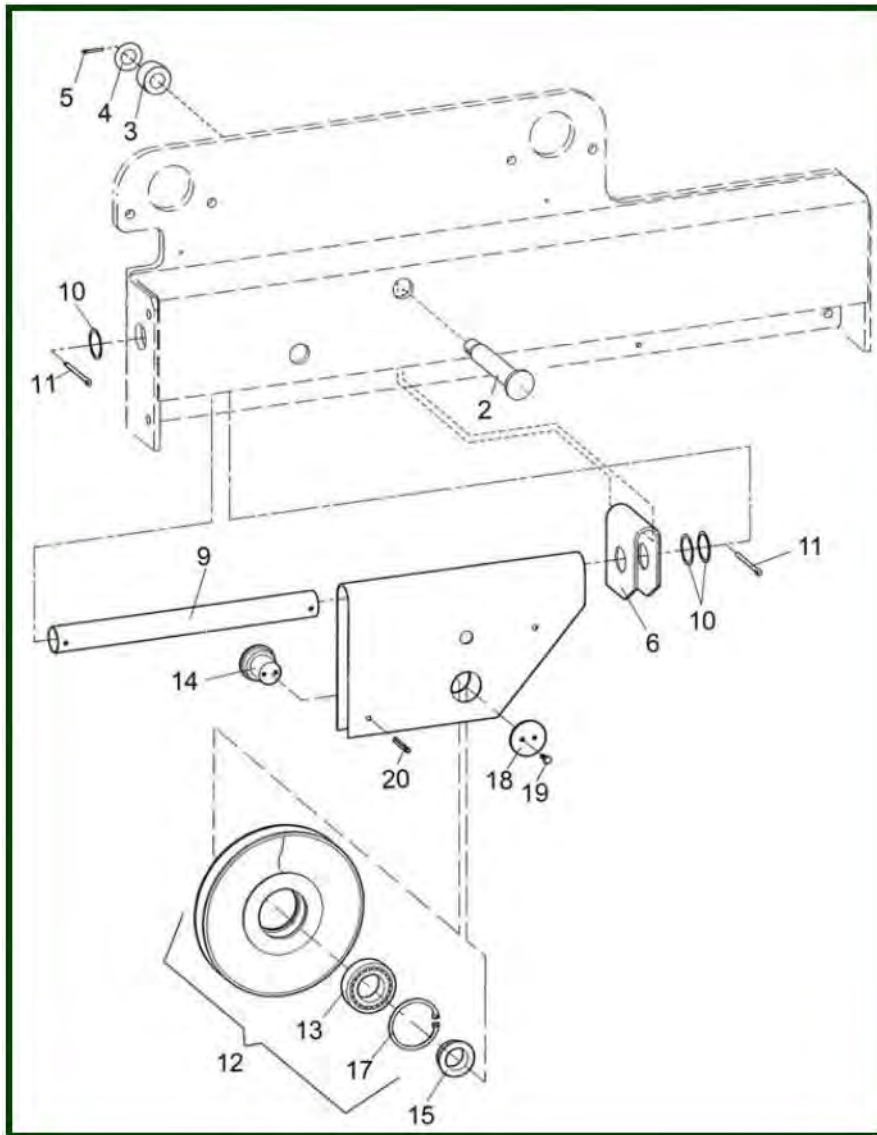
item	reference	description	observation	Quantity
1	P5G0005	Gear housing	VS5...N4 5G4400	1
1	P5G0007	Gear housing	VS5...N5 5G5500	1
3	P5G0009	Bearings		1
4	P5G0010	Bearings	VS5...N4/N5	1
5	P4G0013	Coupling	VS4...RN4/NN4	1
5	P5G0013	Coupling	VS5...N5	1
6	P4G0016	O-Ring	VS4...RN4/NN4	2
6	P5G0017	O-Ring	VS5...N5	2
7	P5G0019	Complete primary shaft	VS5...N4	1
7	P5G0021	Complete primary shaft	VS5...N5	1
8	P5G0023	2nd complete gear	VS5...N4	1
8	P5G0024	2nd complete gear	VS5...N5	1
9	P5G0025	3rd complete gear	VS5...N4/N5	1
10	P5G0026	Coupling	VS5...N4/N5	1
11	P5G0027	Complete planetary gear	VS5...N4/N5	1
12	P5G0028	Seals	VS5...N4 5G4400	1
12	P5G0030	Seals	VS5...N5 5G5500	1
-	1157502	Gear box	5G4400	1
-	1157503	Gear box	5G5500	1

6) Rope enchainage suspension - 2 falls FM and NHT



item	reference	description	observation	Quantity
1	1155117	Fixed beam assembly	VS5...F...E	1
1	1155017	Fixed beam assembly	VS5...F...D	1
1	1154614	Side plate - NHT trolley 4/2	VS5042...F...E and VS5042...F...D	1
1	1154514	Side plate - NHT trolley	VS5...N...D	1
4	1152510	Support		1
5	1152515	Fixed point shaft		2
6	1152527	Key housing		1
7	1152530	Key		1
8	7333160B	Rope clamp		1
9	8150017	Washer - Ø 26		2
10	1155018	Bushing		1
11	7271633Z	Split pin 6.3x56		2
12	1155015	Axle		1
13	8150016	Washer - Ø 33		4

7) Rope sheave unit - 4 falls FM and NHT

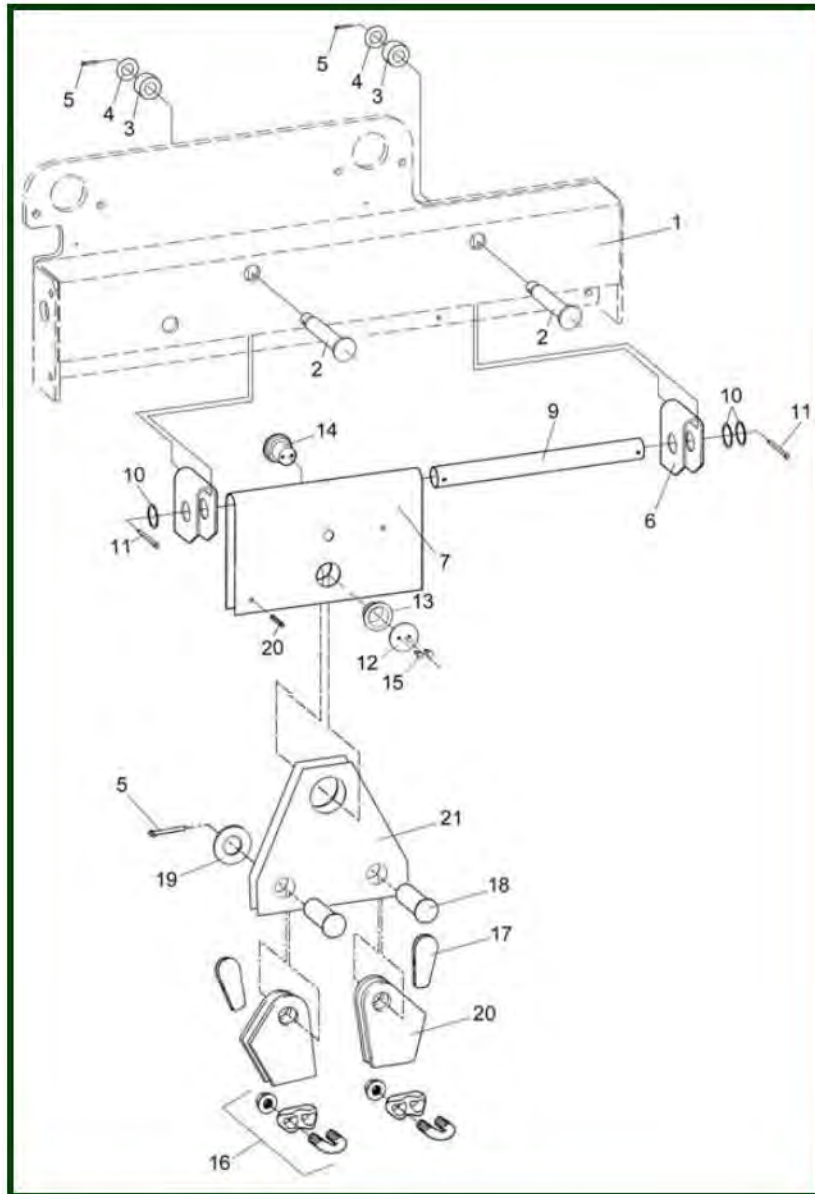


item	reference	description	observation	Quantity
1	1155117	Fixed beam assembly	VS5...F...E	1
1	1155017	Fixed beam assembly	VS5...F... D	1
1	1154614	Side plate - NHT trolley 4/2	VS5042...F...E and VS5042...F...D	1
1	1154514	Side plate - NHT trolley	VS5...N...D	1
2	1155015	Axle		1
3	1155018	Bushing		1
4	8150017	Washer - Ø 26		2
5	831662	Split pin 5x50		3
6	1155020	Support part	1Am/2/3M	1
7	1152534	Support	1Am	1
7	1152538	Support	2/3M	1
9	1152536	Beam 4/2		1
10	8150019	Washer - 68 x 55 x 1	DIN988 - VS402...R - 1AM/2M/3M	3
11	8150091	Split pin 8x70		1
12	1152520	Complete Pulley - D 330mm	1Am	1
12	1152620	Complete return pulley - Ø 420mm		1
13	7422211K	Bearing	FEM 1Am	1
13	8150073	Bearing	FEM- 2/3M	1
14	1152506	Return pulley shaft	1Am	1
14	1152606	Shaft	2/3Am	1

15	<u>1152524</u>	Bushing	1Am	1
15	<u>1152528</u>	Bushing	2/3Am	1
17	<u>8150081</u>	Circlip	2/3M-VS404..5/6..R - 2/3M	1
17	<u>8150082</u>	Circlip		1
18	<u>1152509</u>	Stop washer		1
19	<u>8150044</u>	HC screw 10 x 16		1
20	<u>4751080</u>	Spring pin 10 x 80		1

8) Rope sheave unit - 4/2 FM and NHT

Tambour E et D - E and D drum



item	reference	description	observation	Quantity
1	1155117	Fixed beam assembly	VS5...F...E	1
1	1155017	Fixed beam assembly	VS5...F... D	1
1	1154614	Side plate - NHT trolley 4/2	VS5042...F...E and VS5042...F...D	1
2	1155015	Axle		1
3	1155018	Bushing		1
4 & 19	8150017	Washer - Ø 26		1
5	7271633Z	Split pin 6.3x56		4
6	1155020	Support part	1Am/2/3M	2
7	VS50135A	Fixed point support plate 4/2		1
8	VS50136A	Shaft		1
9	400755	Washer - Ø 40		1
10	8150019	Washer - 68 x 55 x 1	DIN988 - VS402...R - 1AM/2M/3M	8
11	8150091	Split pin 8x70		2
12	1152509	Stop washer		1
13	1151524	Shaft bush		1
14	1152506	Return pulley shaft	1Am	1
15	8150044	HC screw 10 x 16		2
16	7333140E	Rope clamp - Ø 14		2

17	<u>8536233Q</u>	Key - Ø 14		2
18	<u>1142515</u>	Fixed point schaft		2
20	<u>8536132E</u>	Key housing	Câble / cable - Ø 14	2
21	<u>VS50137A</u>	Balancing plate 4/2		2
22	<u>1152536</u>	Beam 4/2		1

9) Overload limiter - From the April 1999

F - HPN - HPR / FM - NHT - LHT

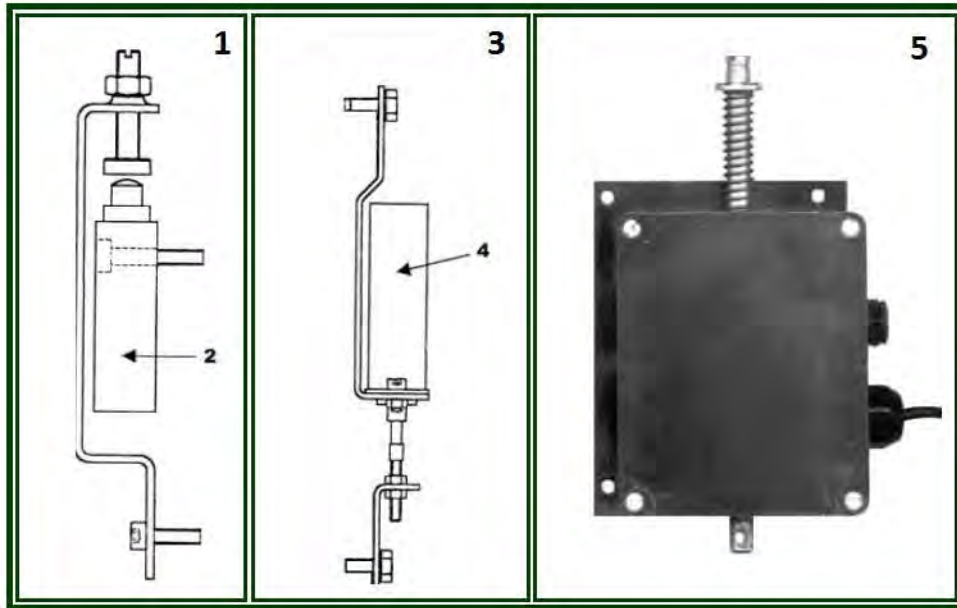


TABLEAU DE SYNTHESE DES LIMITEURS VS4/VS5/VS306/VS406
SYNTHETIC TABLES FOR VS4/VS5/VS306/VS406 LIMITOR

Remplacé par Pour VS1 : Vis CHC 6x12 autres modules
Ces sélecteurs sont installés depuis le 01/12/99 sur tous les palans VS.
These selectors have been installed since 01/12/99 on all us hoids.

ANCIEN LIMITEUR (voir page...) Old LIMITOR	NOUVEAU LIMITEUR (voir page...) NEW LIMITOR
1144500 VS404 HPR (44) *+ *+ 1144602 VS404 HPN, Fixe (V5) *+ 1144502 VS402 HPN Fixe (2) #+ 1154502 VS502/04 Fixe HPN (V6) *+	1144500 VS404 HPR (V4) 1144501 VS402 HPR (V2) 1144602 VS404 HPN, Fixe (V5) YLS002A VS306 Gr 2M/3M - VS402..Y EE YLS003A VS306 Gr 1AM - VS402 Fixe - VS406 VS506 EEE

* Les codes limiteurs sont restés les mêmes mais les composants ont changé (sauf limiteur mécanique 8111593).
Les nouveaux composants ne se montent pas sur les anciens produits. Les anciens limiteurs ne sont plus disponibles.
* The part numbers of the load limiter devices remained the same but the components have changed (except for mechanical load limiter device ref 8111593)

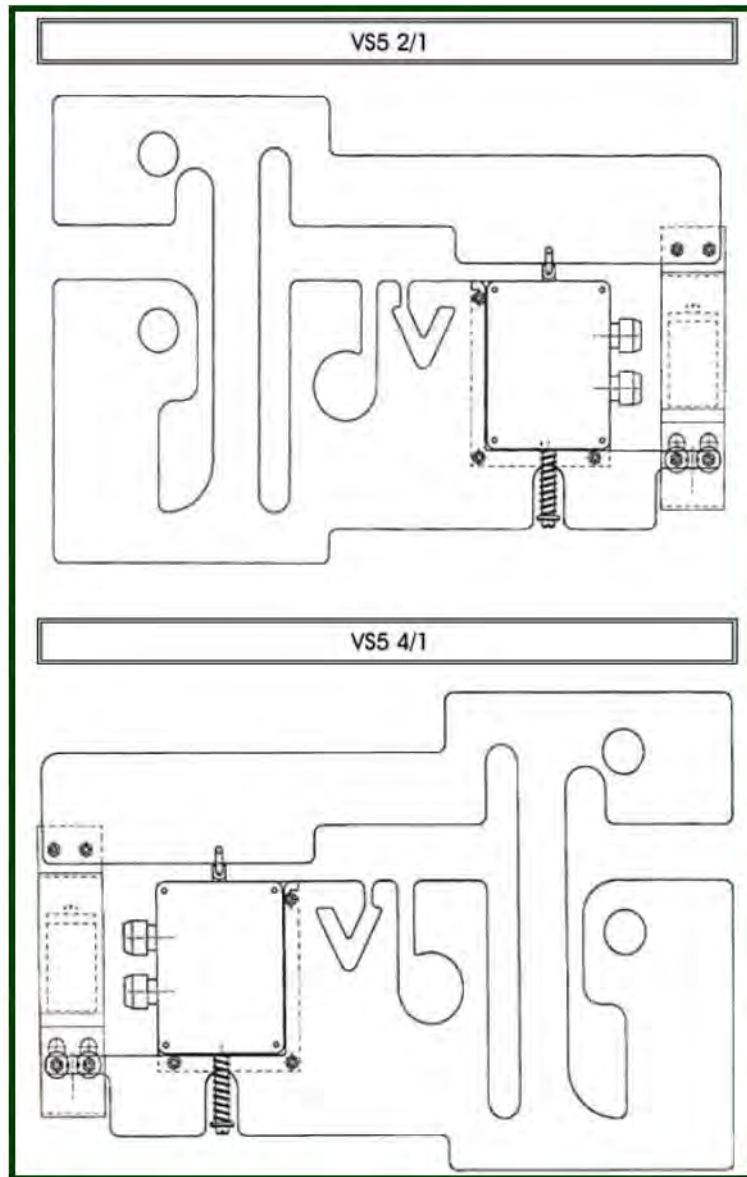
· The new components don't fit the old devices. Old limitors are not sold anymore. ? ? ?
Le capteur à effet hall (1111510) n'est plus disponible, dans ce cas il faut remplacer tout le limiteur.
(Utiliser VS402 fixe et HPN ou VS502 fixe et HPN)
The old sensor ref 1111510 is no longer available. In this case, the complete load limiter device has to be changed.
(Use VS402 foot mounted and normal headroom trolley or VS502 Foot mounted and Normal headroom trolley) . ? ? ?
+ Les supports (1141500) limiteur mécanique ne sont plus disponible, dans ce cas il faut changer tout le limiteur. (valable pour tous les VS4 et les VS5)
+ The supports part n°1141500 for mechanical load limitors are no longer available.
In this case, the complete load limiter has to be changed. ? ? ? ? ? ? ? ?

EXEMPLE :

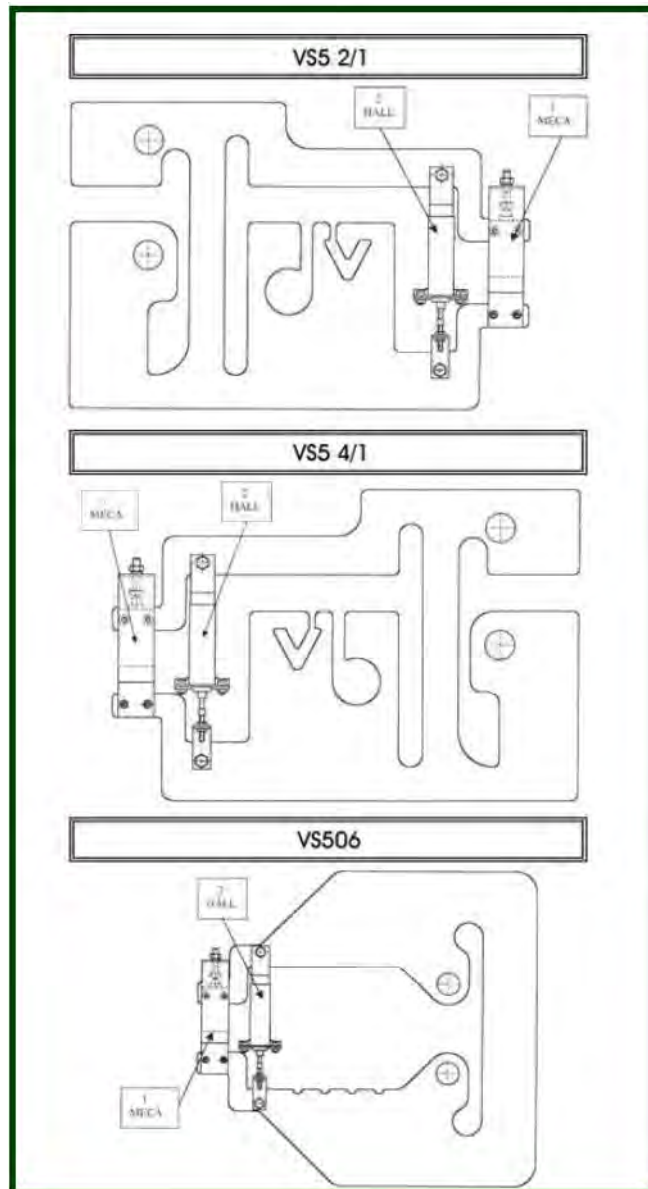
Pour commander un nouveau limiteur complet, prendre la référence dans le tableau de droite + un lot de capteur (Pour VS404 HPR ; avec capteur mécanique)

item	reference	description	observation	Quantity
1	<u>1141550</u>	Mechanical sensor set	VS306-VS404-VS504-VS502 2/6	1
2	<u>8111593</u>	Limit switch	VS306-VS404-VS504-VS502 2/6	0
3	<u>1141520</u>	HALL sensor kit	VS306-VS404-VS504-VS502 2/6	0
4	<u>LP20UFR10</u>	HALL sensor kit		0
5	<u>1113547</u>	HALL sensor - To march 99	HPR/LHT VS306-VS404-VS504 2/6	0

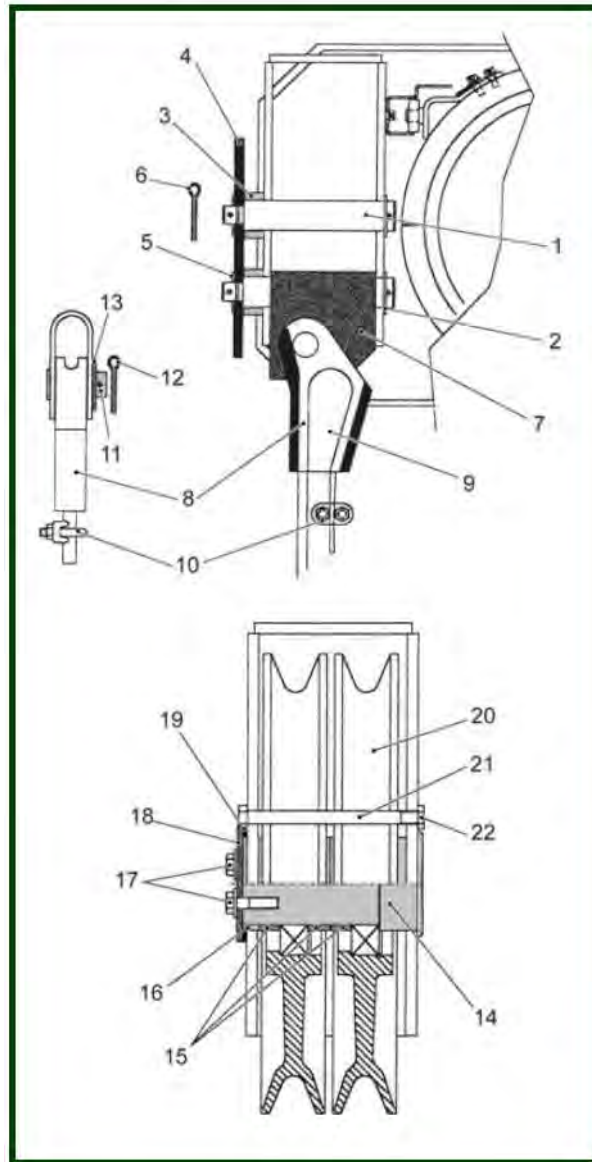
10) Old load limiter assembling - Before april 1999



11) New load limiter assembling - From the April 1999



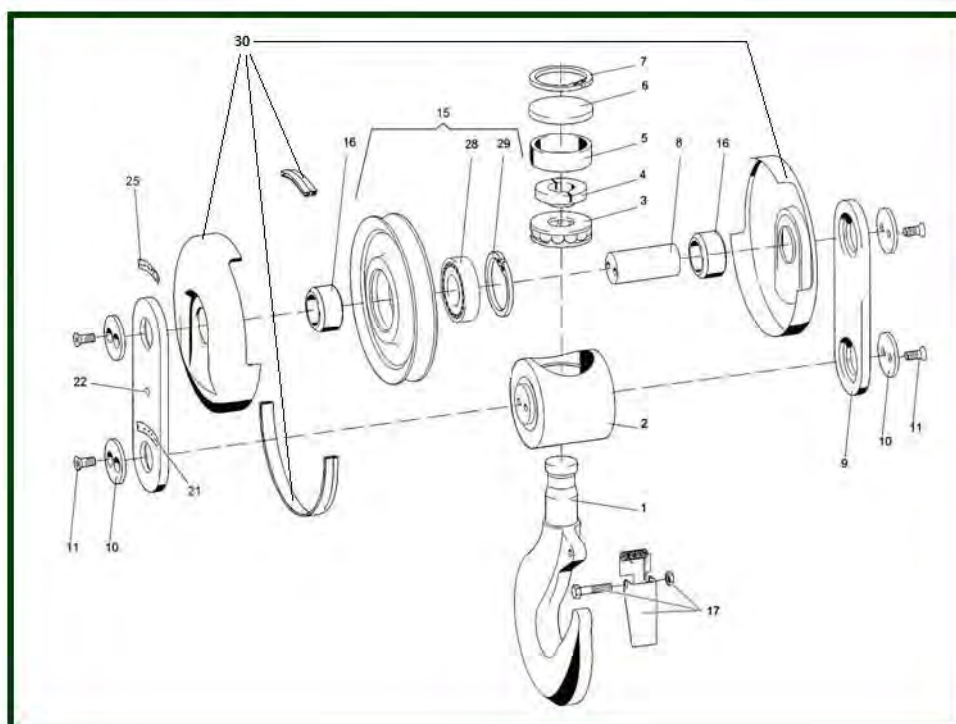
12) Return pulley subassembly and fixed point



item	reference	description	observation	Quantity
1	V5BAR01A	Load limiter shaft		2
2	4BAB02A	Sleeve 55 x 40 x 3		4
3	NC(5)	External chain guide	Not supplied anymore replaced by 52309591	1
4	NC(9)	Wedge housing suspension	Longueur tambour A & C - Chariot J Hoist drum length A & C - Trolley J	1
5	7152422X	Washer 80 x 25 x 2		2
6	8210064	Split pin 6 x 60		4
7	5BAR03A	Fixed point plate		1
8	1152527	Key housing		1
9	1152530	Key		1
10	7333160B	Rope clamp		1
11	1152515	Fixed point shaft		1
12	7271633Z	Split pin 6.3x56		1
13	8150017	Washer - Ø 26		1
14	5BAU01A	Return pulley shaft		1
15	5BAU04A	Sleeve 85 x 75 x 20		3
16	5BAU07A	Sleeve 85 x 75 x 14		1
17	830307	HM screw 10 x 30		2
18	V5BAU05A	Locking washer		1

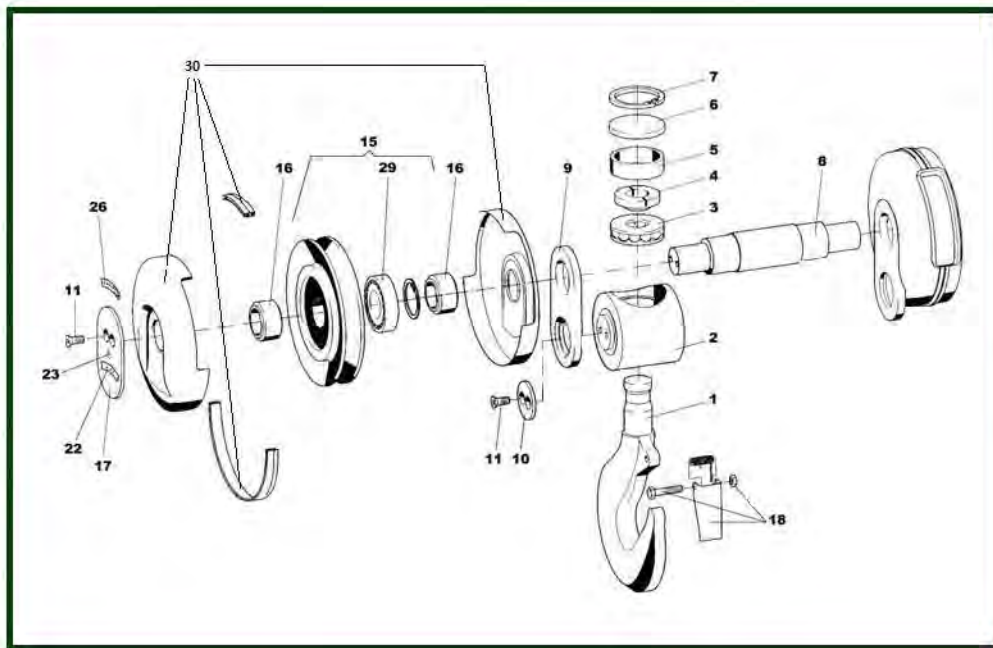
19	<u>8150019</u>	Washer - 68 x 55 x 1	DIN988 - VS402...R - 1AM/2M/3M	6
20	<u>1152620</u>	Complete return pulley - Ø 420mm		2
21	<u>7211679f</u>	Screw HM12x160		1
22	<u>8181207</u>	Thin nut M12		1

13) Lifting hookblock - 2 falls



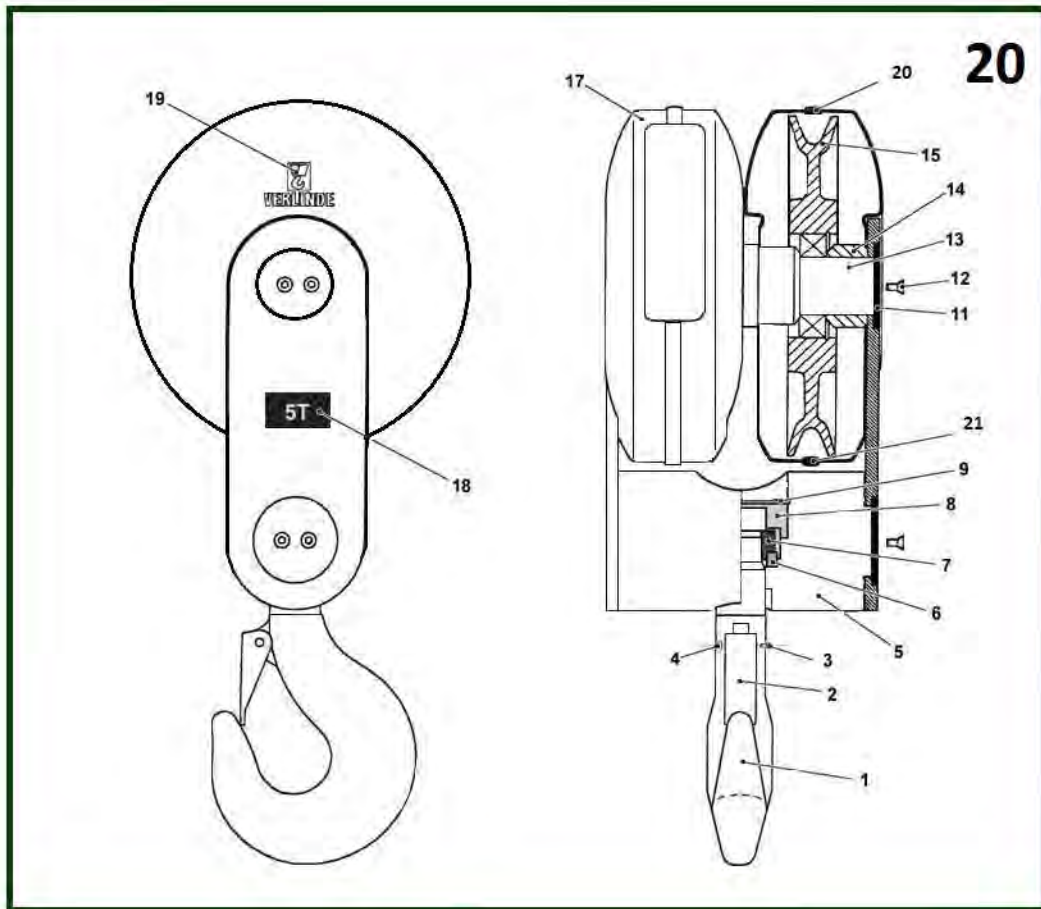
item	reference	description	observation	Quantity
1	1132101	Complete hook block n°4	1Am	1
2	1132104	Beam	1Am-2/3M	1
3	8150071	Thrust bearing	1Am-2/3M	1
4	1132119	Locking parts	1Am-2/3M	1
5	NCBDS	Safety ring	1Am	1
6	1132105	Beam cover	1Am-2/3M	1
7	400080	Retaining ring for bore - Ø 90x3	1Am-2/3M	1
8	1152012	Pulley shaft	1Am	1
8	1152112	Pulley shaft	2/3M	1
9	1152035	Flat bar	1Am	2
9	1152135	Flat bar	2/3M	2
10	1132116	Locking plate	1Am - 2/3M	4
11	7216403S	Screw	1Am - 2/3M	8
15	1152520	Complete Pulley - D 330mm	1Am	1
15	1152620	Complete return pulley - Ø 420mm		1
16	1152031	Bushing	1Am	2
16	1152525	Bushing	2/3M	2
17	33433003	Safety latch n°4	1Am-2/3M	1
21	1142071	Stickers 75 x 32	5 T	2
21	1142072	Stickers 75 x 32	6,3 T	2
21	1142073	Stickers 75 x 32	8 T	2
22	1142051	Stickers 80x130	FEM 1 Am	2
22	1142052	Stickers 80x130	FEM 2 Am	2
22	1142053	Stickers 80x130	FEM 3 Am	2
25	1142040	Stickers 46x100	"VERLINDE"	2
28	NCR	Bearling		1
29	NCC	Circlips		1
30	1152086	Hook cover kit	2/3M-Demi-coquille+Joints profilés / Cover + Sealings profile	1
30	1152083	Hook cover kit	2/3M-Demi-coquille+Joints profilés / Cover + Sealings profile	1
-	1152000	Complete hook block	1Am	1
-	1152100	Complete hook block	2/3M	1

14) Lifting hookblock - 4 falls



item	reference	description	observation	Quantity
1	1152101	Complete hook block n°4	1Am - 2/3M	1
2	1152004	Beam	1Am - 2/3M	1
3	8150074	Thrust bearing	1Am - 2/3M	1
4	1152019	Locking parts	1Am - 2/3M	1
5	300082	Safety ring - Ø 110	2/3M	1
6	1152105	Beam cover	1Am - 2/3M	1
8	1152022	Pulley shaft	1Am	1
8	1152113	Pulley shaft	2/3M	1
9	1152036	Flat bar	1Am	2
10	1132116	Locking plate	1Am - 2/3M	2
11	7216403S	Screw	1Am - 2/3M	8
15	1152520	Complete Pulley - Ø 330mm	1Am	2
15	1152620	Complete return pulley - Ø 420mm		2
16	1152031	Bushing	1Am	4
16	1152525	Bushing	2/3M	4
17	1152017	Plate	1Am - 2/3M	2
18	1152020	Safety catch n°5	1Am - 2/3M	1
22	1142071	Stickers 75 x 32	5 T	2
22	1142072	Stickers 75 x 32	6,3 T	2
22	1142073	Stickers 75 x 32	8 T	2
22	1152074	Stickers 75 x 32	10 T	2
22	1152075	Stickers 75 x 32	12,5 T	2
22	1152076	Stickers 75 x 32	16 T	2
23	1142051	Stickers 80x130	FEM 1 Am	2
23	1142052	Stickers 80x130	FEM 2 Am	2
23	1142053	Stickers 80x130	FEM 3 Am	2
24	8150097	Dowel		1
26	1142040	Stickers 46x100	"VERLINDE"	2
29	7422211K	Bearing	FEM 1Am	2
29	8150073	Bearing	FEM- 2/3M	2
30	1152083	Hook cover kit	2/3M-Demi-coquille+Joints profilés / Cover + Sealings profile	2
30	1152086	Hook cover kit	2/3M-Demi-coquille+Joints profilés / Cover + Sealings profile	2
-	1152002	Complete hook block	1Am	1
-	1152102	Complete hook block	2/3M	1

15) Lifting hookblock - 4/2 roped

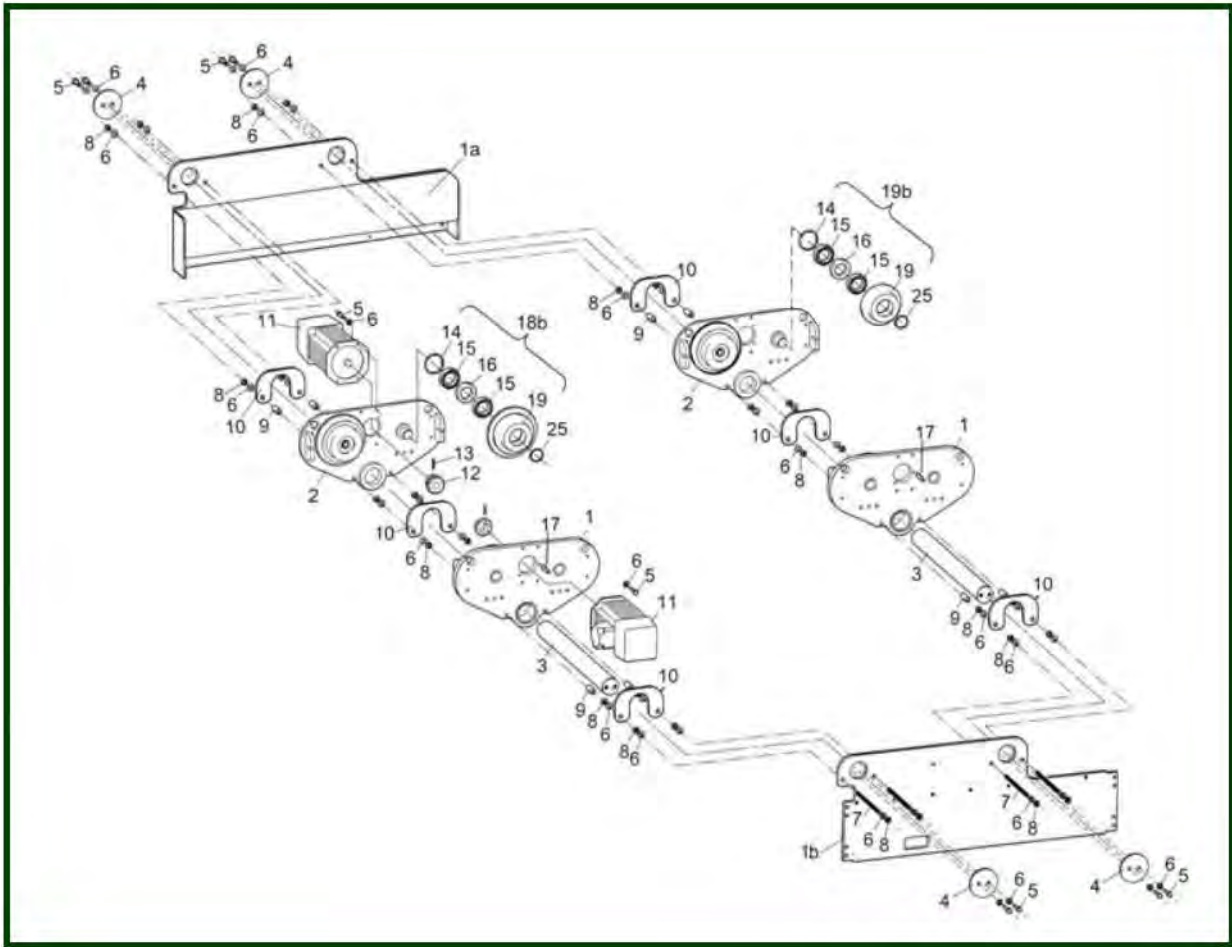


item	reference	description	observation	Quantity
1	1132101	Complete hook block n°4	1Am	1
3	830828	Screw HM8X45		1
4	7222090M	Nut HM8		1
5	VS50128A	Beam		1
6	8150071	Thrust bearing	1Am-2/3M	1
7	1132119	Locking parts	1Am-2/3M	1
8	1132105	Beam cover	1Am-2/3M	1
9	400080	Retaining ring for bore - Ø 90x3	1Am-2/3M	1
10	1152035	Flat bar	1Am	2
11	1132116	Locking plate	1Am - 2/3M	4
12	7211453L	Screw HM 8x16		8
13	VS50129A	Pulley shaft		1
14	1152031	Bushing	1Am	2
15	1142620	Complete pulley with bearing - Ø 330	2/3M	2
16a	1152007	Seal cover - Lg 105 mm	1Am	2
16b	1152008	Seal cover - Lg 433 mm	1Am	2
17	1152006	Hook side plate	1Am - Sans / without eclis.	4
18	1142071	Stickers 75 x 32	5 T	2
18	1142072	Stickers 75 x 32	6,3 T	2
18	1142073	Stickers 75 x 32	8 T	2
19	1142040	Stickers 46x100	"VERLINDE"	2
20	VS50127A	Complete true vertical lifting hookblock	4 brins / falls	1

16) Lifting hookblock - 6/1 falls

item	reference	description	observation	Quantity
1	<u>V5HA606A</u>	Side plate		2
2	<u>V5HA605A</u>	Superior plate		1
3	<u>V5HA602A</u>	Pulley shaft	1Am-2/3M	3
4	<u>1152620</u>	Complete return pulley - Ø 420mm		1
7	<u>5BAU040A</u>	Bushing		6
8	<u>V5HA607A</u>	Plate		2
9	<u>7216403S</u>	Screw	1Am - 2/3M	4
10	<u>F0000111</u>	Screw Hm M8x10		12
11	<u>P5C0034</u>	Hook RSN10		1
12	<u>V5HA601A</u>	Bottom block body		1
13	<u>81215</u>	Thrust bearing		1
14	<u>7HCB06A</u>	Ring		1
15	<u>7217553T</u>	Screw M10x20		1
16	<u>V5HA604A</u>	Cover		1
17	<u>830203</u>	Screw Hm M8xK20	C3 / PRC - Moteur N1 / N1 motor	4
18	<u>V5HA603A</u>	Flat bar		2
19	<u>800702</u>	Safety catch		1
-	<u>V5A6000A</u>	Complete hook block VS506		1

17) Normal headroom trolley (NHT)

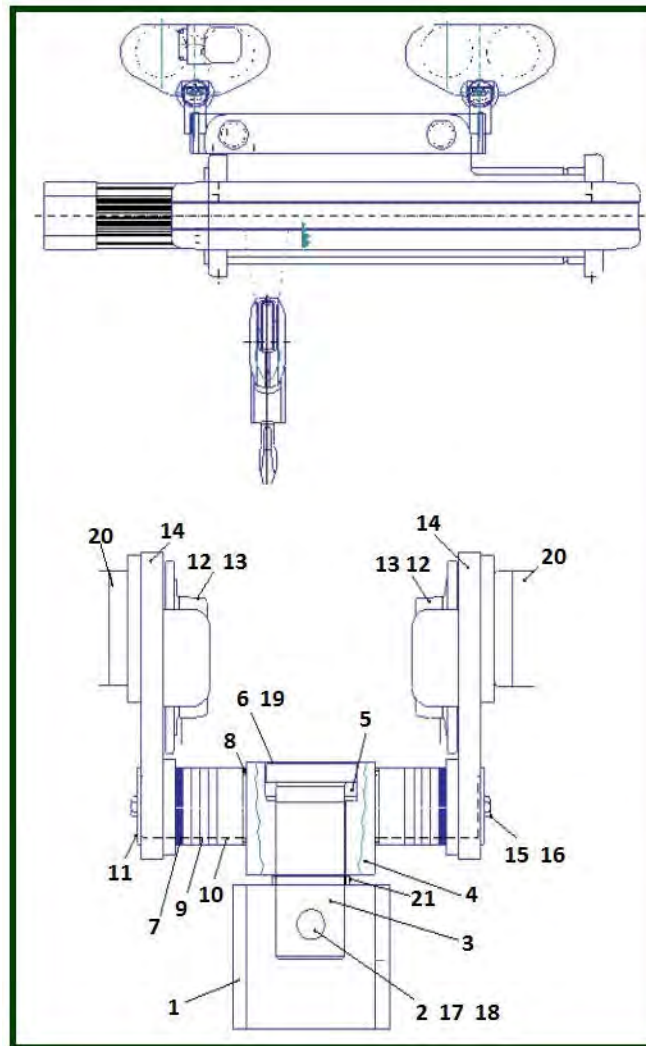


item	reference	description	observation	Quantity
1a	1154614	Side plate - NHT trolley 4/2	VS5042...F...E and VS5042...F...D	1
1a	1154514	Side plate - NHT trolley	VS5...N...D	1
1b	1154517	Side plate - NHT trolley	VS5...N...D	1
1b	1154617	Side plate - NHT trolley	VS5...N...E	1
2	1154531	Side plate > 185mm	A la commande / On order	2
3	1154542	Axle	Lg 637	2
3	1154541	Axle	Lg 800	2
4	1154544	Locking plate and screw - NHT trolley		1
5	8011550	Screws		8
6	7232100D	Narrow Grover washer -10mm	DIN12	8
7	1154505	Tie rod - Lg350		8
8	831517	Nut HM 16		32
9	1144511	Bushing		8
10	1144545	Clamping plate		0
11	Voir page	Travelling motorgear	GS2..RPC+MF07	2
12	1113532	Trav. Pinion - 19 th		2
13	7273458H	Pin		2
17	8110059	Dowel		6
18	1143502	Geared travel wheel - Ø160		4
18b	1143508	Wheel driving - Ø160	VB16	1
19	1143503	Ungeared wheel		4
19b	1143519	Wheel idle - Ø160	VB16	1
20	1143501	Bushing		4
21	8150070	Bearing		8
22	300081	Interior circlip	D & DA & RD - 100 I	4
23	1144566	Limit switch assy (travel)		1

24	<u>7541312D</u>	Limit switch - 1 step	C1-C2-C3	1
25	<u>7262055P</u>	Exterior circlip - Ø 55		1

18) Swivelling trolley (NHT)

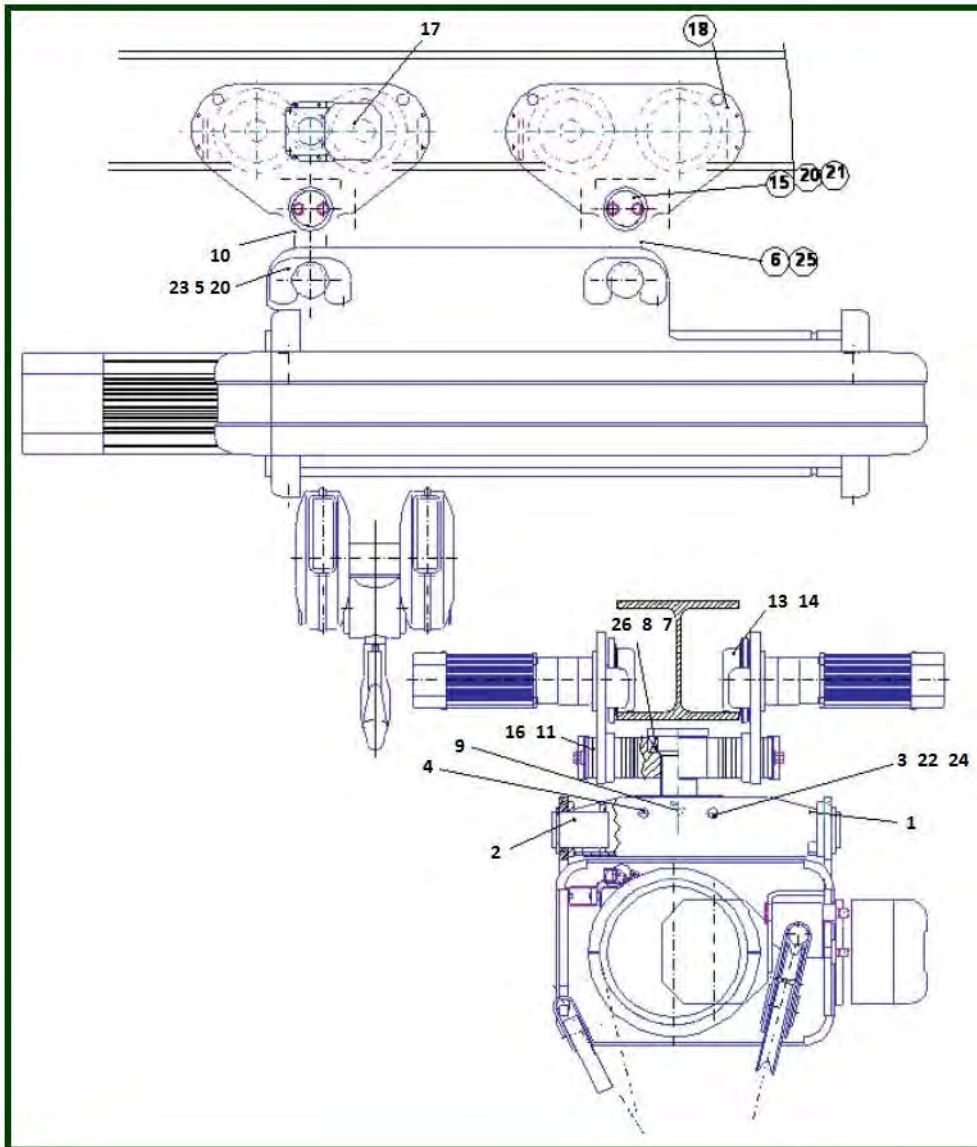
VS502...D VS502...E



item	reference	description	observation	Quantity
1	V5RAB08A	Beam	VS502...D / VS502...E	1
2	V4RAB14A	Pivot shaft		2
3	V4RAB15A	Pivoting shaft		2
4	V4RAB16A	Pivot tie rod		2
5	NC BAT	Thrust rollerbearing		2
6	V4RAB17A	Cover		2
7	V4RAB18A	Adjustment sleeve		40
8	V4RAB19A	Sleeve - th. 4		8
9	V4RAB20A	Sleeve - th. 10		16
10	V4RAB21A	Sleeve - th. 30		8
11	V4RAB22A	End washer		4
12	1113508	Complete geared wheel - Ø 100	VB10D:100mm - VB10D - VS2..R..O (VSX) 2 roulements+1 circlip+1 galet moteur 2 Bearings+1 circlip+1 geared wheel	4
13	1113507	Complete ungeared wheel - Ø 100	VB10D:100mm - VB10D - VS2..R..O (VSX) 2 roulements+1 circlip+1 galet porteur 2 Bearings+1 circlip+1 geared wheel	4
14	V4RAB24A	Side plate < 150mm		4
14	1134531	Side plate for travel wheel > 150mm		4
15	830425	Screw HM 12 x 30		8
16	7231122R	Washer MU12		8
17	831662	Split pin 5x50		4
18	NCRo	Washer		4

19	<u>7211151H</u>	Screw		8
20	<u>NCMr</u>	Travelling motorgear	GS2..RPC+MF07	2
21	<u>V1RAB23A</u>	Stabilizing washer		2
22	<u>1113532</u>	Trav. Pinion - 19 th		2

18.1) Other

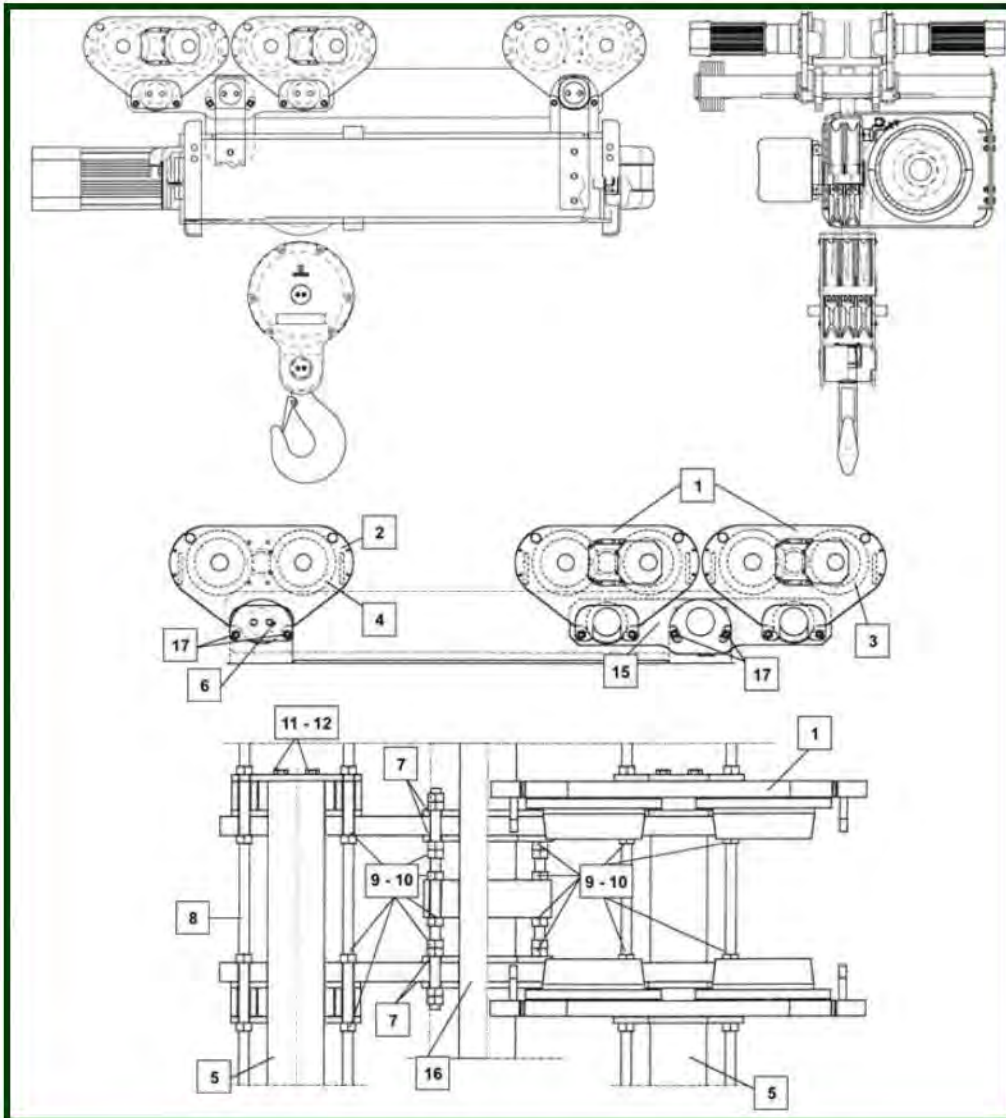


item	reference	description	observation	Quantity
1	V5RAB02A	Beam	VS504...D VS504...E	2
2	V5RAB03A	Beam shaft		4
3	5RCA03A	Square		2
4	7NCA03A	Square shaft		4
5	V5RAB04A	Support panel		4
6	7RCA02A	Pivot		2
7	7RCA01A	Pivot tie rod		2
8	7RCA05A	Sleeve		2
9	7RCA03A	Pivot shaft		2
10	7RCA07A	Sleeve		2
11	7RCA06A	Adjustment Sleeve		2
13	1143508	Wheel driving - Ø160	VB16	4
14	1143519	Wheel idle - Ø160	VB16	4
15	7HCS04A	End washer		4
16	D95/115	Adjustment sleeve		4
17	Voir page	Travelling motorgear	GS2..RPC+MF07	2
18	V5RAB09A	Side plate < 185 mm		4
18	1154531	Side plate > 185mm	A la commande / On order	4
20	7232120A	Grower washer (12)		8

21	<u>830610</u>	Screw HM16 x 30	8
22	<u>831662</u>	Split pin 5x50	8
23	<u>7211660L</u>	Screw	8
24	<u>7232160U</u>	Washer	8
25	<u>NCGr</u>	Grease nipple	2
26	<u>NCBAR</u>	Thrust rollerbearing	2
27	<u>1113532</u>	Trav. Pinion - 19 th	2

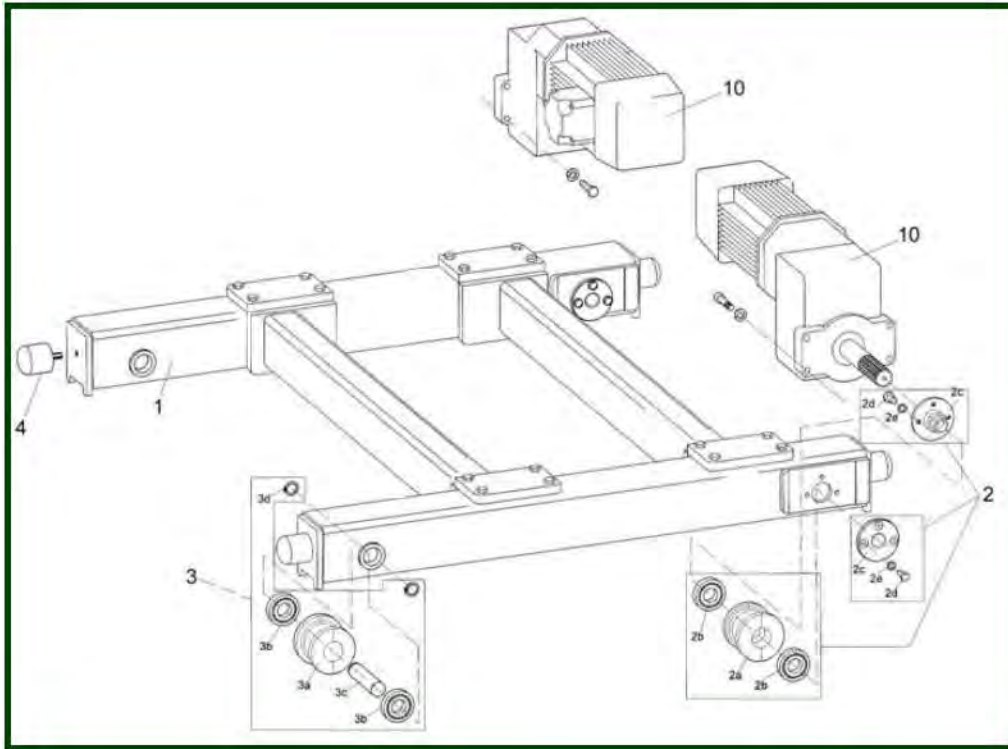
19) Normal headroom trolley - NHT

VS506



item	reference	description	observation	Quantity
1	1154530	Motor side flange		4
2	1154520	Idle side flange		2
3	1143508	Wheel driving - Ø160	VB16	8
4	1143519	Wheel idle - Ø160	VB16	4
5	V5NB603A	Trolley shaft		2
6	1154545	Stop washer		2
7	1144545	Clamping plate		12
8	1154505	Tie rod - Lg350		4
9	831517	Nut HM 16		40
10	7232160V	Washer plate M16		80
11	830426	Screw HM 12x35		4
12	8130018	M12 flat washer		4
13	830408	Screw HM 16x140		4
14	V5NB601A	Counterweigh		1

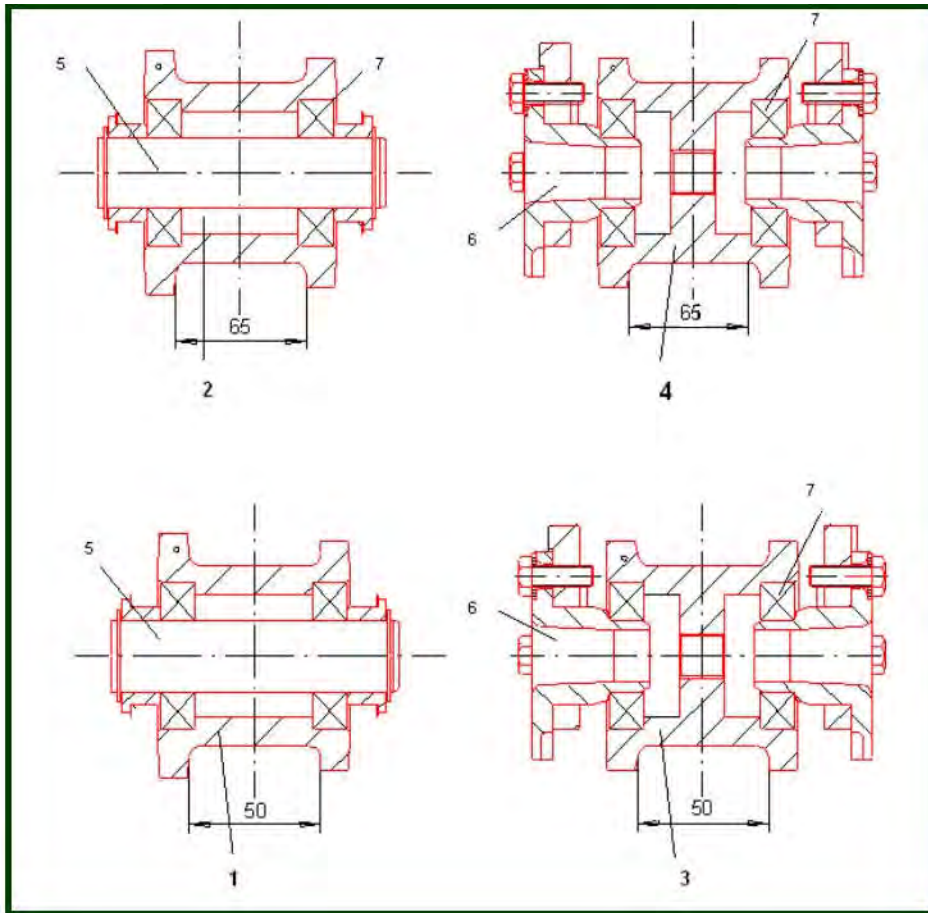
20) Double girder trolley paralel



item	reference	description	observation	Quantity
2	25803001	Driving wheel set - Ø 140 - G50	VS502 VS504 <16T	1
2	25803005	Driving wheel set - Ø 140 - G65	VS502 VS504 <16T	1
2	35803001	Driving wheel set - Ø 200 - G65	VS504 > 16T	1
2	35803005	Driving wheel set - Ø 200 - G75	VS504 VP20 > 16T	1
3	25803003	Travel wheel set - Ø 140 - G50	VS502 VS504 <16T	1
3	25803006	Travel wheel set - Ø 140 - G65	VS502 VS504 <16T	1
3	35803003	Travel wheel set - Ø 200 - G65	VS504 > 16T	1
3	35803006	Travel wheel set - Ø 200 - G75	VS504 > 16T	1
4	15503007	Buffer Set		4
24	7232160U	Washer		1
27	1113532	Trav. Pinion - 19 th		1
-	V5RAB09A	Side plate < 185 mm		1

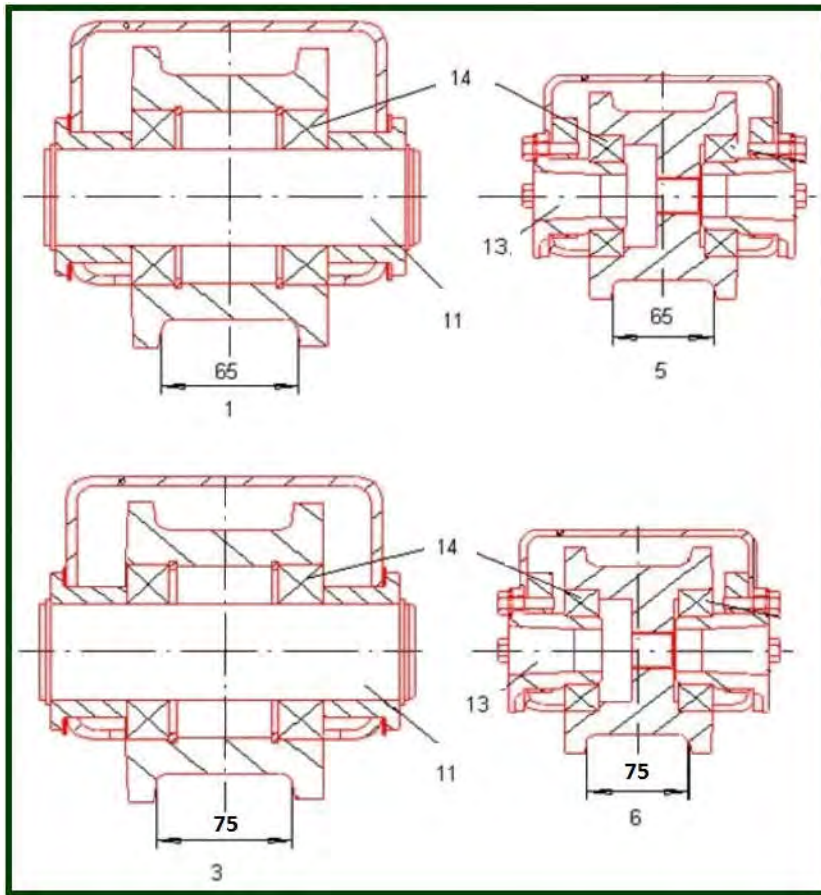
21) Complete travel wheel and driving < 16T

VS502 / VS504



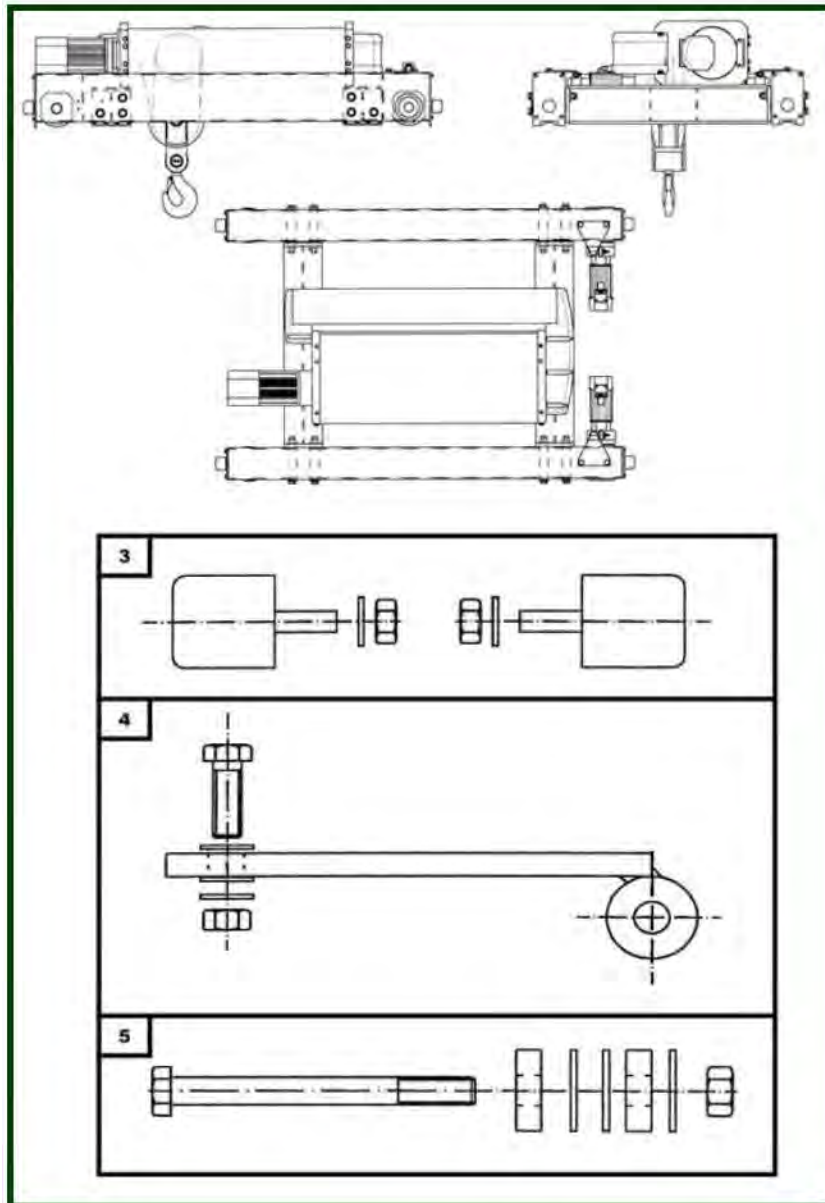
item	reference	description	observation	Quantity
1	25803003	Travel wheel set - Ø 140 - G50	VS502 VS504 <16T	1
2	25803006	Travel wheel set - Ø 140 - G65	VS502 VS504 <16T	1
3	25803001	Driving wheel set - Ø 140 - G50	VS502 VS504 <16T	1
4	25803005	Driving wheel set - Ø 140 - G65	VS502 VS504 <16T	1
5	25803007	Travel wheel shaft	VS502 VS504 < 16T	1
6	25803002	Driving wheel shaft	VS502 VS504 < 16T	1
7	7412112U	Complete bearing	VS502 VS504 < 16T	2

22) Complete travel wheel and driving > 16T



item	reference	description	observation	Quantity
1	35803003	Travel wheel set - Ø 200 - G65	VS504 > 16T	1
3	35803006	Travel wheel set - Ø 200 - G75	VS504 > 16T	1
5	35803001	Driving wheel set - Ø 200 - G65	VS504 > 16T	1
6	35803005	Driving wheel set - Ø 200 - G75	VS504 VP20 > 16T	1
11	35803004	Idle shaft set	VS504 VP20	1
13	35803002	Geared shaft set	VS504 VP20	1
14	7413122A	Bearing complet	VS504 VP20	1

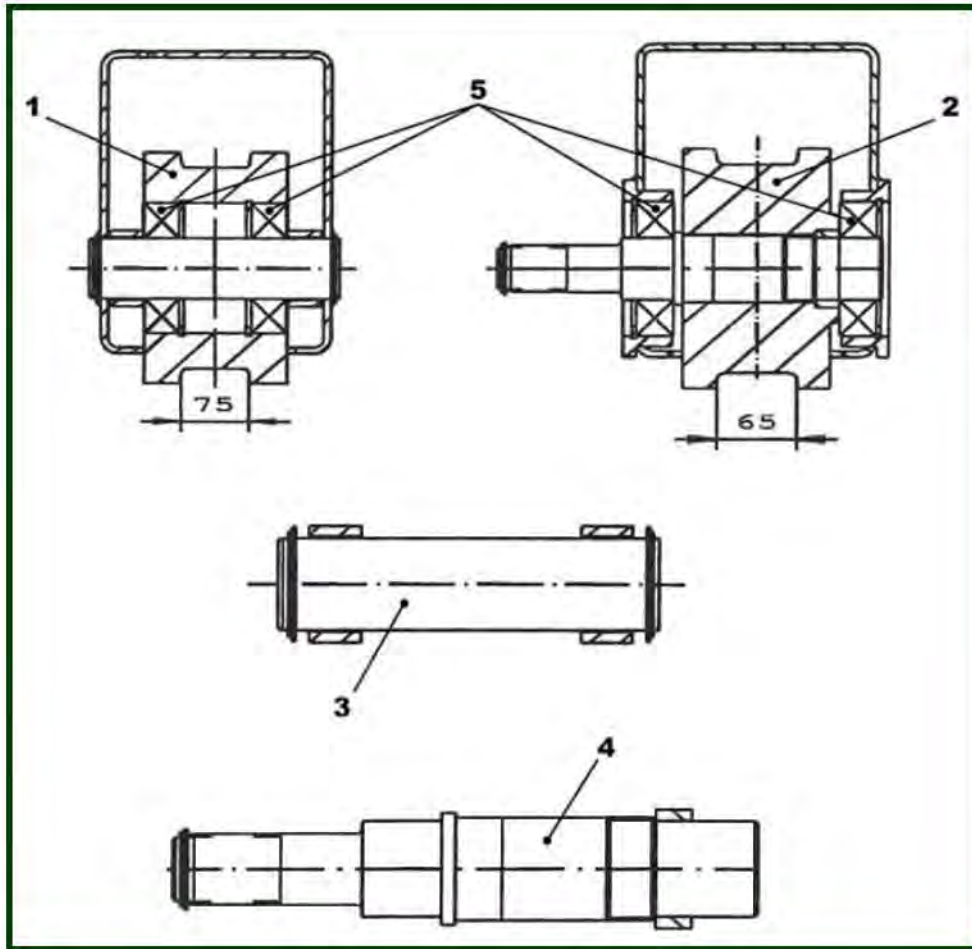
23) Paralel double girder trolley - 6 falls



item	reference	description	observation	Quantity
3	<u>7911001Q</u>	Buffer set - Ø 100		4
4	<u>35803007</u>	Support arm assembly		2
5	<u>35803008</u>	Fixing screw set		2
	<u>33803005</u>	Driving wheel set - Ø 200 - G75		2
	<u>35803001</u>	Driving wheel set - Ø 200 - G65	VS504 > 16T	2
	<u>35803003</u>	Travel wheel set - Ø 200 - G65	VS504 > 16T	2
	<u>35803006</u>	Travel wheel set - Ø 200 - G75	VS504 > 16T	2

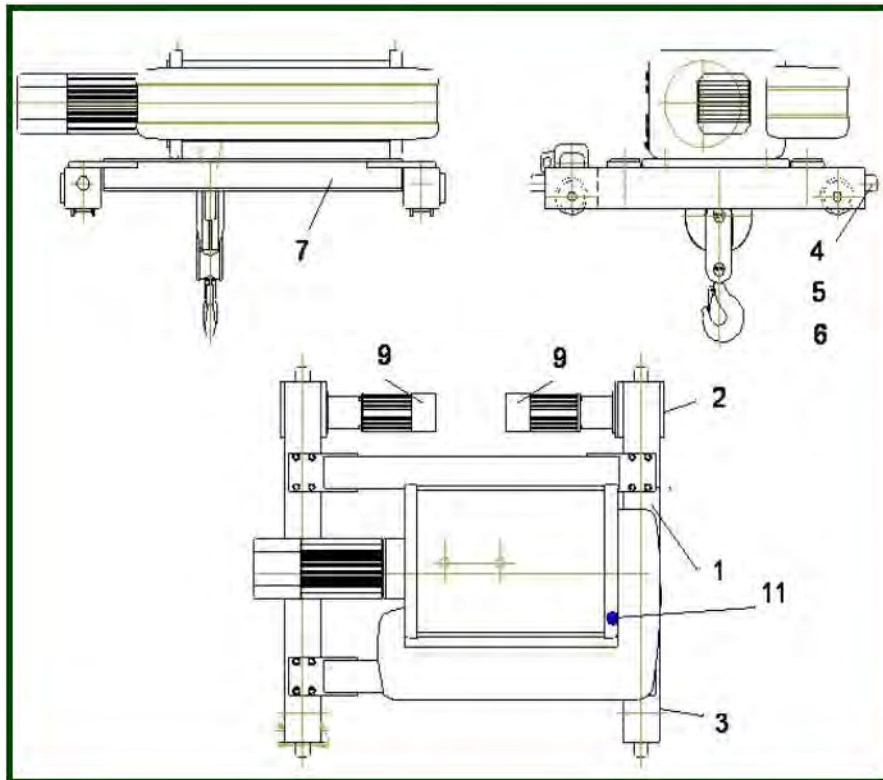
24) Birail wheel and shaft set

VS506 - 18T



item	reference	description	observation	Quantity
1	<u>NC(5)</u>	External chain guide	Not supplied anymore replaced by 52309591	2
2	<u>NC(9)</u>	Wedge housing suspension	Longueur tambour A & C - Chariot J / Hoist drum length A & C /Trolley J	1
3	<u>35803004</u>	Idle shaft set	VS504 VP20	2
4	<u>35803002</u>	Geared shaft set	VS504 VP20	2
5	<u>7412070M</u>	Bearing	VS5 - XS5	4

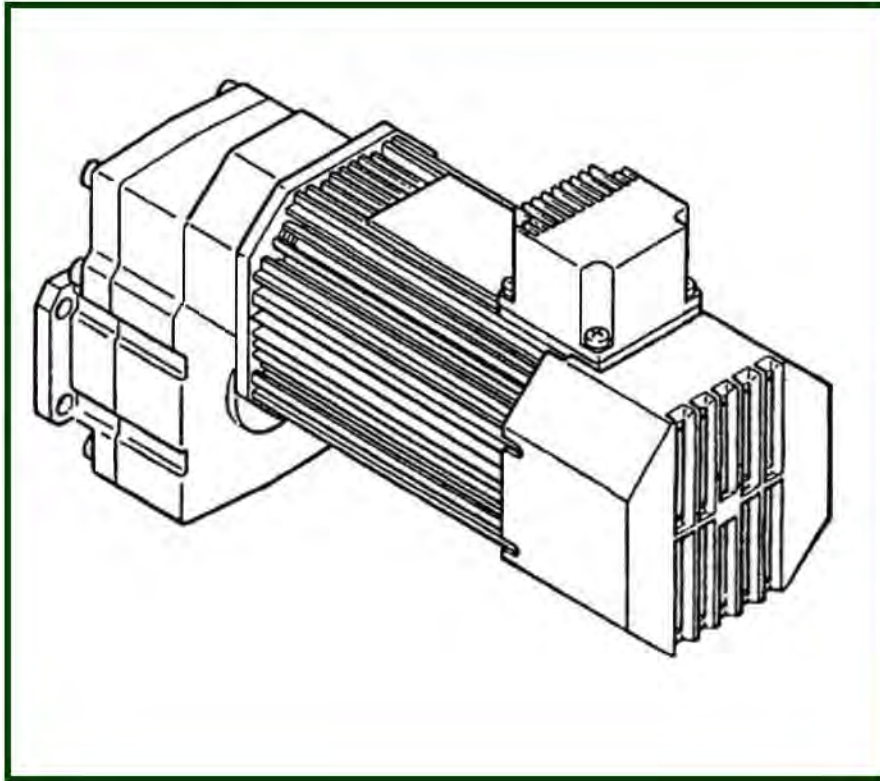
25) Double girder trolley perpendicular



item	reference	description	observation	Quantity
1	NCSV14	End carriage	VS502/VS504 <16T	2
1	NCSV20	End carriage	VS504 > 16T	2
2	25803001	Driving wheel set - Ø 140 - G50	VS502 VS504 <16T	2
2	25803005	Driving wheel set - Ø 140 - G65	VS502 VS504 <16T	2
2	35803001	Driving wheel set - Ø 200 - G65	VS504 > 16T	2
2	35803005	Driving wheel set - Ø 200 - G75	VS504 VP20 > 16T	2
3	25803003	Travel wheel set - Ø 140 - G50	VS502 VS504 <16T	2
3	25803006	Travel wheel set - Ø 140 - G65	VS502 VS504 <16T	2
3	35803003	Travel wheel set - Ø 200 - G65	VS504 > 16T	2
3	35803006	Travel wheel set - Ø 200 - G75	VS504 > 16T	2
4-5-6	15503007	Buffer Set		4
7	NCT	Beam set		1
11	NCF	Fixing bolts and nuts, set		1

26) Motorgearbox for monorail hoist

Moteur prise métal grise / Motor with grey metal plug



26.1) Before april 1999

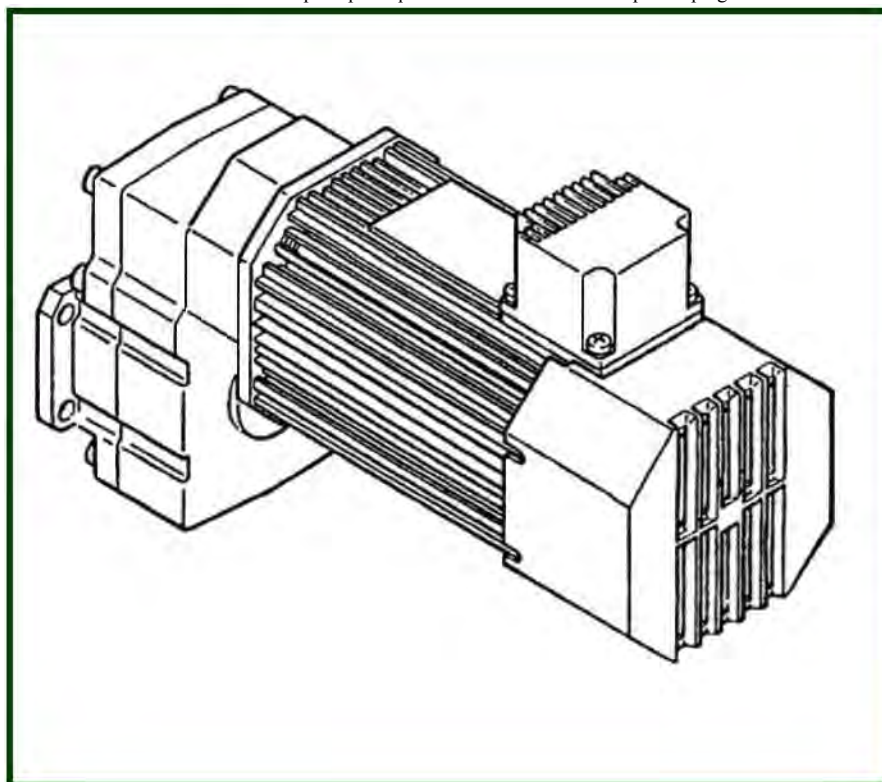
item	reference	description	observation	Quantity
	<u>1117505</u>	Gearbox GS320RPC Speed 20/5		1
	<u>1117508</u>	Gearbox GS340RPC Speed 10/2,5		1
	<u>25808104</u>	Travelling motor MF07LA14- 3000/750t/mn-415V/50Hz- W415V-0,25/0,06kw	Prise Wieland avant avril 1999 Wieland plug before april 1999	1
	<u>25808102</u>	Travelling motor MF07LA104 3000/750t/mn-220V/50Hz-0,25/0,06Kw	Prise Wieland avant avril 1999 Wieland plug before april 1999	1
	<u>25808103</u>	Travelling motor MF07LA104 3000/750t/mn - 380V/50Hz - 0,25/0,06kw	Prise Wieland avant avril 1999 Wieland plug before april 1999	1
	<u>25808302</u>	Travelling motor MF07LB104 3000/750t/mn - 220V/50Hz - 0.45/0.11Kw	Prise Wieland avant avril 1999 Wieland plug before april 1999	1
	<u>25808304</u>	Travelling motor MF07LB104 3000/750t/mn - 415V/50Hz - 0.45/0.11kw	Prise Wieland avant avril 1999 Wieland plug before april 1999	1
	<u>25808303</u>	Travelling motor MF07LB104 3000/750t/mn - 380 400V/50Hz - 0.45/0.11kw	Prise Wieland avant avril 1999 Wieland plug before april 1999	1
-	<u>7273458H</u>	Pin		1
-	<u>1113532</u>	Trav. Pinion - 19 th		1

26.2) After april 1999

item	reference	description	observation	Quantity
	<u>1117505</u>	Gearbox GS320RPC Speed 20/5		1
	<u>1117508</u>	Gearbox GS340RPC Speed 10/2,5		1
	<u>25808104P</u>	Travelling motor MF07LA14 3000/750t/mn - 415V/50Hz - 0,25/0,06kw	Prise plastique après avril 1999 Plastic plug after april 1999	1
	<u>25808102P</u>	Travelling motor MF07LA104 3000/750t/mn - 220V/50Hz - 0,25/0,06Kw	Prise plastique après avril 1999 Plastic plug after april 1999	1
	<u>25808103P</u>	Travelling motor MF07LA104 3000/750t/mn - 380V/50Hz - 0,25/0,06kw	Prise plastique après avril 1999 Plastic plug after april 1999	1
	<u>25808302P</u>	Travelling motor MF07LB104 3000/750t/mn - 220V/50H z- 0.45/0.11Kw	Prise plastique après avril 1999 Plastic plug after april 1999	1
	<u>25808304P</u>	Travelling motor MF07LB104 3000/750t/mn - 415V/50Hz - 0.45/0.11kw	Prise plastique après avril 1999 Plastic plug after april 1999	1
	<u>25808303P</u>	Travelling motor MF07LB104 3000/750t/mn - 380 400V/50Hz - 0.45/0.11kw	Prise plastique après avril 1999 Plastic plug after april 1999	1

27) Motorgearbox for birail hoist

Moteur prise plastique noire / Motor with black plastic plug



27.1) Before april 1999

item	reference	description	observation	Quantity
	<u>25549020</u>	Gearbox GM490MPB Speed 10/2,5		1
	<u>25883020</u>	Gearbox GS363RFB Speed 20/5		1
	<u>25518102</u>	Travelling motor MF07LA206 1500/500t/mn - 220V/50Hz - 0.27/0.07Kw	Prise Wieland avant avril 1999 Wieland plug before april 1999	1
	<u>25518104</u>	Travelling motor MF07LA206 1500/500t/mn - 415V/50Hz - 0.27/0.07Kw	Prise Wieland avant avril 1999 Wieland plug before april 1999	1
	<u>25518103</u>	Travelling motor MF07LA206 1500/500t/mn - 380 400V/50Hz 0.27/0.07Kw	Prise Wieland avant avril 1999 Wieland plug before april 1999	1
	<u>25808302</u>	Travelling motor MF07LB104 3000/750t/mn - 220V/50Hz - 0.45/0.11Kw	Prise Wieland avant avril 1999 Wieland plug before april 1999	1
	<u>25808304</u>	Travelling motor MF07LB104 3000/750t/mn - 415V/50Hz - 0.45/0.11kw	Prise Wieland avant avril 1999 Wieland plug before april 1999	1
	<u>25808303</u>	Travelling motor MF07LB104 3000/750t/mn - 380 400V/50Hz 0.45/0.11kw	Prise Wieland avant avril 1999 Wieland plug before april 1999	1
	<u>25518204</u>	Travelling motor MF07ZB206 1500/500 - 415V/50Hz-0.37/0.10kw	Prise Wieland avant avril 1999 Wieland plug before april 1999	1
	<u>25518202</u>	Travelling motor MF07ZB206 1500/500t/mn - 220V/50Hz - 0.37/0.10kw	Prise Wieland avant avril 1999 Wieland plug before april 1999	1
	<u>25518203</u>	Travelling motor MF07ZB206 1500/500t/mn - 380 400V/50Hz 0.37/0.10kw	Prise Wieland avant avril 1999 Wieland plug before april 1999	1
	<u>25508412</u>	Travelling motor MF07ZC104 3000/750t/mn - 220V/50Hz - 0.65/0.15Kw	Prise Wieland avant avril 1999 Wieland plug before april 1999	1
	<u>25508413</u>	Travelling motor MF07ZC104 3000/750t/mn - 380 - 400V/50Hz 0.65/0.15Kw	Prise Wieland avant avril 1999 Wieland plug before april 1999	1
	<u>25508414</u>	Travelling motor MF07ZC104 3000/750t/mn - 415V/50Hz - 0.65/0.15Kw	Prise Wieland avant avril 1999 Wieland plug before april 1999	1

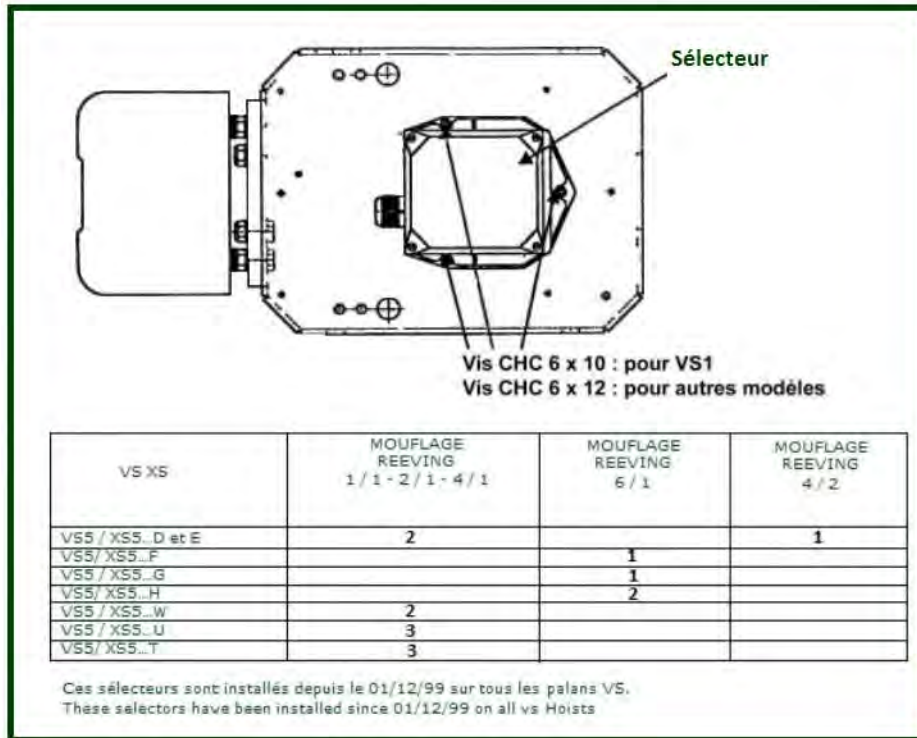
27.2) After april 1999

item	reference	description	observation	Quantity
	<u>25549020</u>	Gearbox GM490MPB Speed 10/2,5		1
	<u>25883020</u>	Gearbox GS363RFB Speed 20/5		1
	<u>25518102P</u>	Travelling motor MF07LA206 1500/500t/mn - 220V/50Hz-0.27/0.07Kw	Prise plastique après avril 1999 Plastic plug after april 1999	1
	<u>25518104P</u>	Travelling motor MF07LA206 1500/500t/mn - 415 V/50Hz - 0.27/0.07Kw	Prise plastique après avril 1999 Plastic plug after april 1999	1
	<u>25518103P</u>	Travelling motor MF07LA206 1500/500t/mn - 380 400V/50Hz-0.27/0.07Kw	Prise plastique après avril 1999 Plastic plug after april 1999	1
	<u>25808302P</u>	Travelling motor MF07LB104 3000/750t/mn - 220V/50H z- 0.45/0.11Kw	Prise plastique après avril 1999 Plastic plug after april 1999	1
	<u>25808304P</u>	Travelling motor MF07LB104 3000/750t/mn - 415V/50Hz - 0.45/0.11kw	Prise plastique après avril 1999 Plastic plug after april 1999	1
	<u>25808303P</u>	Travelling motor MF07LB104 3000/750t/mn - 380 400V/50Hz 0.45/0.11kw	Prise plastique après avril 1999 Plastic plug after april 1999	1
	<u>25518202P</u>	Travelling motor MF07ZB206 1500/500t/mn - 220V/50Hz - 0.37/0.10kw	Prise plastique après avril 1999 Plastic plug after april 1999	1
	<u>25518204P</u>	Travelling motor MF07ZB206 1500/500t/mn - 415V/50Hz - 0.37/0.10kw	Prise plastique après avril 1999 Plastic plug after april 1999	1
	<u>25518203P</u>	Travelling motor MF07ZB206 1500/500t/mn - 380 400V/50Hz 0.37/0.10kw	Prise plastique après avril 1999 Plastic plug after april 1999	1
	<u>25508412P</u>	Travelling motor MF07ZC104 3000/750t/mn - 220V/50Hz - 0.65/0.15Kw	Prise plastique après avril 1999 Plastic plug after april 1999	1
	<u>25508414P</u>	Travelling motor MF07ZC104 3000/750t/mn - 415V/50Hz - 0.65/0.15Kw	Prise plastique après avril 1999 Plastic plug after april 1999	1
	<u>25508413P</u>	Travelling motor MF07ZC104 3000/750t/mn - 380 400V/50Hz 0.65/0.15Kw	Prise plastique après avril 1999 Plastic plug after april 1999	1

28) Electrical parts

item	reference	description	observation	Quantity
	<u>1113014</u>	Auxiliary block		1
	<u>1113012</u>	Auxiliary block		1
	<u>1113007</u>	Auxiliary contact LA1D20	7536314W	4
	<u>1113044</u>	Brake rectifier ESD141 For main voltage 230V to 690V	Motor P6 to P9	1
	<u>1113077</u>	Circuit breaker		1
	<u>1113078</u>	Circuit breaker		1
	<u>1113003</u>	Circuit breaker		1
	<u>1113002</u>	Circuit breaker		1
	<u>1113005</u>	Circuit breaker	GV2ME07 - AF7	2
	<u>1113121</u>	Complete lifting unit		1
	<u>1113018</u>	Contacteur	Frein/Brake	1
	<u>8812152B</u>	Control cable	16x1,5 mm ²	0
	<u>7691114G</u>	Counter cover		1
	<u>1113094</u>	Counter support		1
	<u>7575304B</u>	Fuse 4A		1
	<u>7575306D</u>	Fuse 6A		1
	<u>7573242K</u>	Fuse support	BC31	1
	<u>1113125</u>	Hour counter - 48V-50Hz		1
	<u>1113113</u>	Limit switch	Jusqu'au/up to 30/11/99	2
	<u>1113019</u>	Main contactor - 400V/48V - LC1D80E7	Moteur / Motor P8 - O-K1	1
	<u>1103001</u>	Monitor+connectors	CU1	1
	<u>1113101</u>	Monitor+transformer	CU1	1
	<u>1113043</u>	Motor protector - 48V	MSL 48C	1
	<u>834490</u>	Push button 2HS+2CT+ES		1
	<u>7531623X</u>	Reversing contactor	LC2D803E	1
	<u>1113023</u>	Reversing contactor - 400V-48V	LC2ECO9E (7531023V)	1
	<u>1113021</u>	Selector contactor	48V	1
	<u>1113056</u>	Stopping controller ESD138C - 48V	Moteur / Motor P6 à/to P9 - NA AD9	1
	<u>1113051</u>	Transformer 250VA 400V/48V		1

29) Mounting and choosing the cam selector



item	reference	description	observation	Quantity
1	<u>GTES67DZM</u>	Rotating limit switch - 4C Reeving1/1-2/1-4/1	XS2 - VS2...C et Z Depuis/Since 01/12/99	1
2	<u>GTES110DZM</u>	Rotating limit switch - 4C Reeving1/1-2/1-4/1	XS2 - VS2...C et Z Depuis/Since 01/12/99	1
3	<u>GTES180DZM</u>	Rotating cam limit switch Reeving1/1-2/1-4/1	Tirlift tambour long 3 couches 61m Long drum 3 layers 61m	1