

## **SPARE PARTS FOR VT5**

To avoid errors when ordering please specify:

- Complete type of hoist
- Date of manufacture and serial number
- Spare part code
- Spare part designation
- Additional information

### **0) HOIST DESCRIPTION**

#### **1) FRAME**

#### **2) ROPE DRUM**

#### **3) DRUM BRAKE "HOLD"**

#### **4) DRUM BRAKE "SPEED"**

#### **5) GEAR**

#### **6) MOTOR**

6.1) Hoist motor size 6 - Type P & T

6.2) Hoist motor size 7 - Type P & T

6.3) Hoist motor size 8, 9 & A

#### **7) ROPE SHEAVE**

7.1) Rope reeving : 22

7.2) Rope reeving : 24

7.3) Rope reeving : 26

7.4) Rope reeving : 28

#### **8) OVERLOAD DEVICE**

8.1) Overload device type : MEC, MECPOW

8.2) Overload device type : SG

8.3) Overload device type :NO

#### **9) HOOK**

9.1) Rope reeving code : 20

9.2) Rope reeving code : 22

9.3) Rope reeving code : 24

9.4) Rope reeving code : 26

9.5) Rope reeving code : 28

#### **10) HOISTING LIMIT SWITCH**

10.1) Centred lifting

#### **11) TROLLEY F**

#### **12) TROLLEY M & MA**

#### **13) CARRIAGE**

13.1) Trolley H, M, MA & W - Code EC20

13.2) Trolley M & MA - Code = EC25

13.3) Trolley : M & MA

#### **14) TRAVELLING MACHINERY**

14.1) OTHER :

14.2) Other :

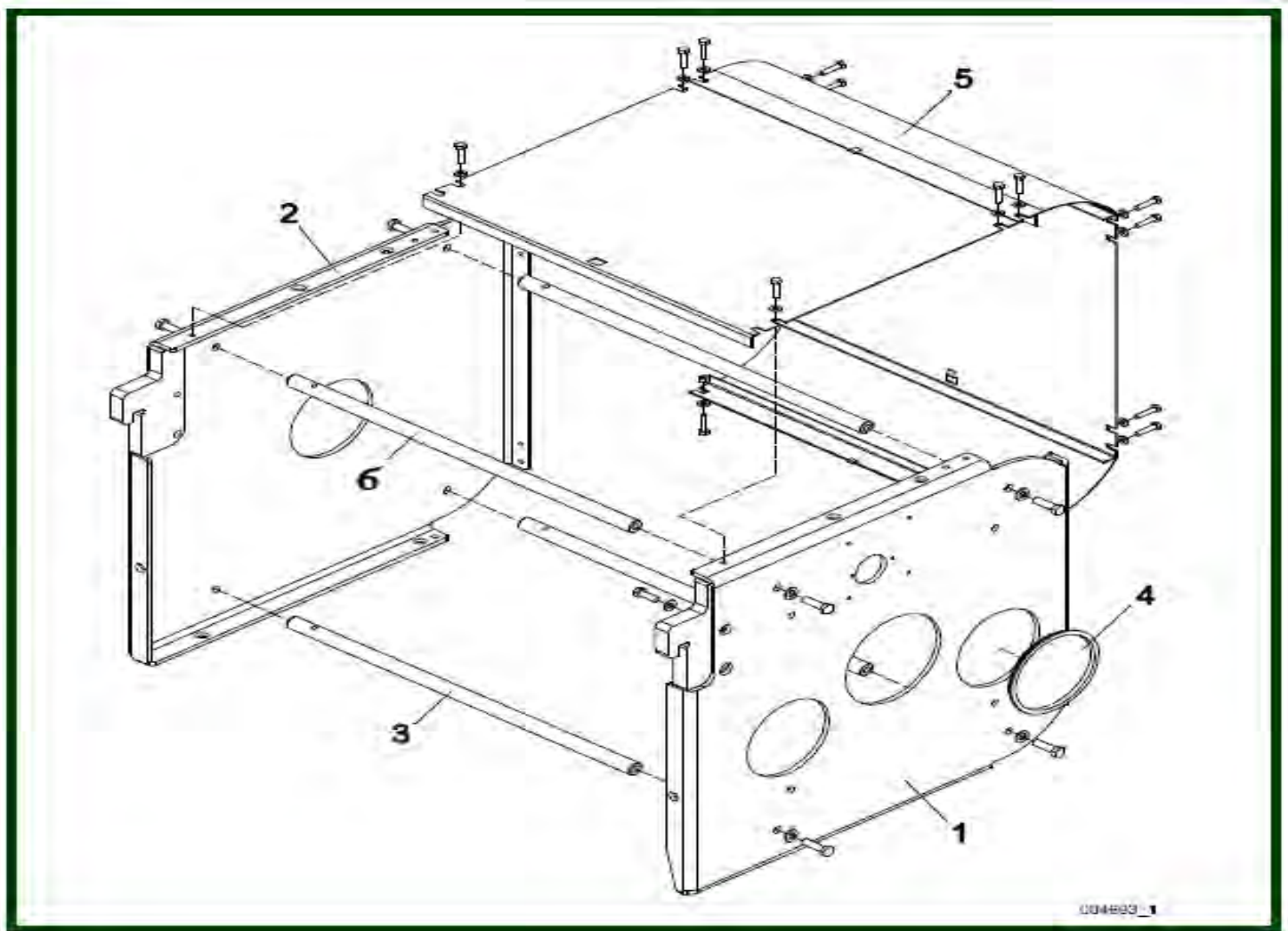
#### **15) MOTOR**

15.1) Hoist motor size 1 & 2 - Type P & T

- 15.2) Hoist motor size : 3 - Type O,P & T
- 15.3) Hoist motor size 4,5 - Type P & T
- 15.4) Hoist motor size 6 - Type= P & T
- 15.5) Hoist motor size 7 - Type P & T
- 15.6) Hoist motor size 8, 9 & A
- 15.7) Hoist motor size 1 & 2 - Type E
- 15.8) Hoist motor size 4 & 6 - Type E

**0) HOIST DESCRIPTION**

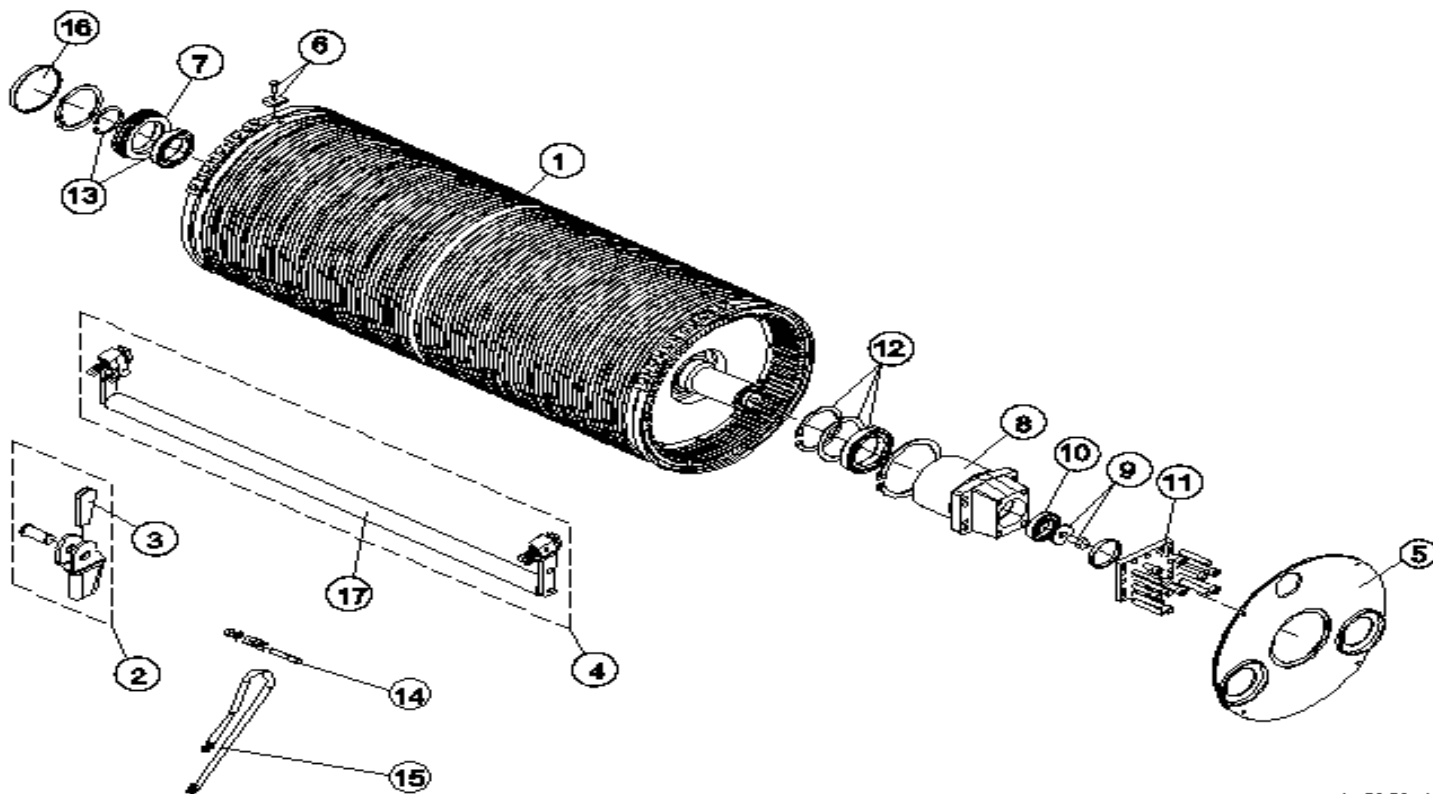
**1) FRAME**



ITEM	REFERENCE	DESCRIPTION
1	VT0002672	End plate, H0423975 - Trolley "F", "M", "MA", "MB"
1	VT0002672	End plate, H0423975 - Trolley "F", "M", "MA", "MB"
1	VT0002674	H0423974, end plate
2	VT0002739	End plate
2	VT0002673	End plate, H0423975

3	VT0000963	Shaft, Hoist drum length D
3	VT0000964	Shaft, Hoist drum length E
3	VT0000965	Shaft, Hoist drum length F
3	VT0000968	Shaft, Hoist drum length G
3	VT0000970	Shaft, Hoist drum length J
3	VT0002188	Shaft, Hoist drum length K
3	VT0002371	Shaft, Hoist drum length L
3	VT0002372	Shaft, Hoist drum length M
3	VT0002373	Shaft, Hoist drum length N
3	VT0000969	Shaft, Hoist drum length H
5	VT0000971	1: Hoist drum length = C, COVER SET
5	VT0000973	1: Hoist drum length = E, COVER SET
5	VT0000974	1: Hoist drum length = F, COVER SET
5	VT0000975	1: Hoist drum length = G, COVER SET
5	VT0000976	1: Hoist drum length = H, COVER SET
5	VT0002362	COVER SET 1: Hoist drum length = "M"
5	VT0002363	COVER SET 1: Hoist drum length = "N"
5	VT0002189	Cover set, Hoist drum length K
5	VT0002359	Cover set, Hoist drum length L
5	VT0000972	Cover set, Hoist drum length D
-	VT0000966	1: Hoist drum length = C, END PLATE
-	VT0002335	
-	VT0002334	
-	VT0000967	End plate

## 2) ROPE DRUM



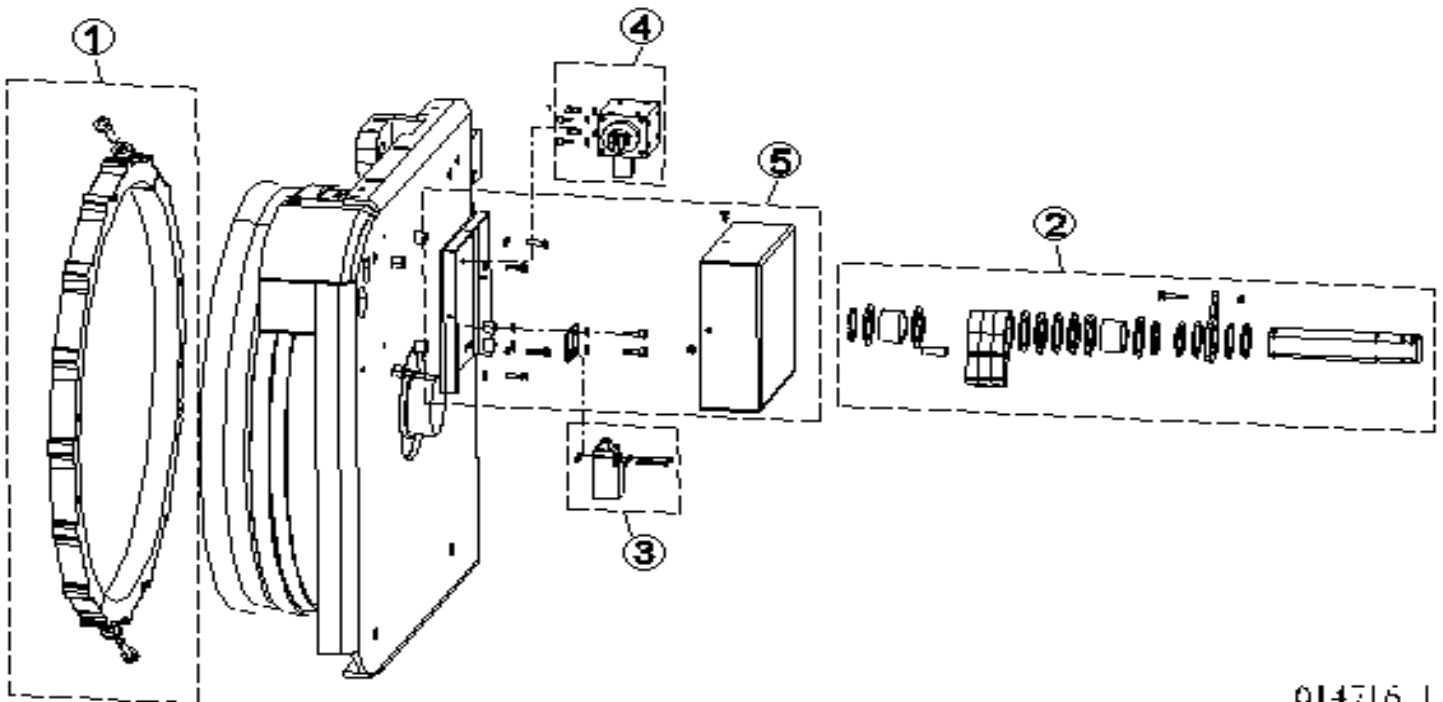
007258\_1

ITEM	REFERENCE	DESCRIPTION
1	VT0002808	1: Hoist drum length = "F", ROPE DRUM
1	VT0002210	1: Hoist drum length = "F", ROPE DRUM
1	VT0002809	1: Hoist drum length = "G", ROPE DRUM
1	VT0002211	1: Hoist drum length = "G", ROPE DRUM
1	VT0002810	1: Hoist drum length = "H", ROPE DRUM
1	VT0002347	1: Hoist drum length = "H", ROPE DRUM
1	VT0002811	1: Hoist drum length = "J", ROPE DRUM
1	VT0002212	1: Hoist drum length = "J", ROPE DRUM
1	VT0002213	1: Hoist drum length = "K", ROPE DRUM
1	VT0002812	1: Hoist drum length = "K", ROPE DRUM
1	VT0002813	1: Hoist drum length = "L", ROPE DRUM
1	VT0002451	1: Hoist drum length = "L", ROPE DRUM
1	VT0002814	1: Hoist drum length = "M", ROPE DRUM
1	VT0002452	1: Hoist drum length = "M", ROPE DRUM
1	VT0002453	1: Hoist drum length = "N", ROPE DRUM
1	VT0002815	1: Hoist drum length = "N", ROPE DRUM
1	VT0002454	1: Hoist drum length = "P", ROPE DRUM

1	VT0002816	1: Hoist drum length = "var", ROPE DRUM
2	VT0000977	1: Rope reeving code <= 10, WEDGE HOUSING COMPLETE
3	VT0000990	1: Rope reeving code <= 10, ROPE WEDGE
4	VT0002824	1: Hoist drum length = "F", "G", "H", "J", ROPE GUIDE
4	VT0001837	1: Hoist drum length = FPRESSURE ROLLER
4	VT0001838	1: Hoist drum length = G, PRESSURE ROLLER
4	VT0001839	1: Hoist drum length = H, PRESSURE ROLLER
4	VT0001840	1: Hoist drum length = J, PRESSURE ROLLER
4	VT0001841	1: Hoist drum length = K, ROLLER; PRESSURE ROLLER
4	VT0002823	Rope guide
4	VT0002358	H0426030, ROLLER; PRESSURE ROLLER 1: Hoist drum length = "N" 1: Hoist drum brake r = "HOLD", "SPEED", "STD" Substitutive, item:52318627
4	VT0002356	H0426030, roller; pressure roller
4	VT0002355	H0426030, roller; pressure roller
5	VT0002214	Sealing
6	VT0000978	Rope clamp
7	VT0000999	Bearing housing
8	VT0002215	Bearing housing
9	VT0002216	Joint plate
10	VT0002340	Bearing; roller bearing
11	VT0002217	Joint plate
12	VT0002218	Bearing set
13	VT0001005	Bearing set
14	VT0001966	Rope clamp
15	VT0002219	Wire rope - Ø 15mm, right - 8x25
15	VT0001699	Wire rope - Ø 15mm, left - 8x25
15	VT0002577	Wire rope - Ø 15mm, IWRC - right - Type D, can replace VT0002219
15	VT0002572	Wire rope - Ø 15mm, IWRC - left - Type D, can replace VT0001699
16	VT0001703	Cover
17	VT0001821	1: Hoist drum length = F, ROLLER; PRESSURE ROLLER
17	VT0001822	1: Hoist drum length = G, ROLLER; PRESSURE ROLLER
17	VT0001823	1: Hoist drum length = H, ROLLER; PRESSURE ROLLER
17	VT0001824	1: Hoist drum length = J, ROLLER; PRESSURE ROLLER
17	VT0001825	1: Hoist drum length = K, ROLLER; PRESSURE ROLLER

17	VT0001826	1: Hoist drum length = L, ROLLER; PRESSURE ROLLER
17	VT0001827	1: Hoist drum length = M, ROLLER; PRESSURE ROLLER
17	VT0001828	1: Hoist drum length = N, ROLLER; PRESSURE ROLLER
17	VT0001829	1: Hoist drum length = P, ROLLER; PRESSURE ROLLER
18	VT0002827	Roller; support
19	VT0002829	Plate
19	VT0002828	Plate
20	VT0002830	Screw set
-	VT0000996	
-	VT0000997	
-	VT0000994	
-	VT0000995	

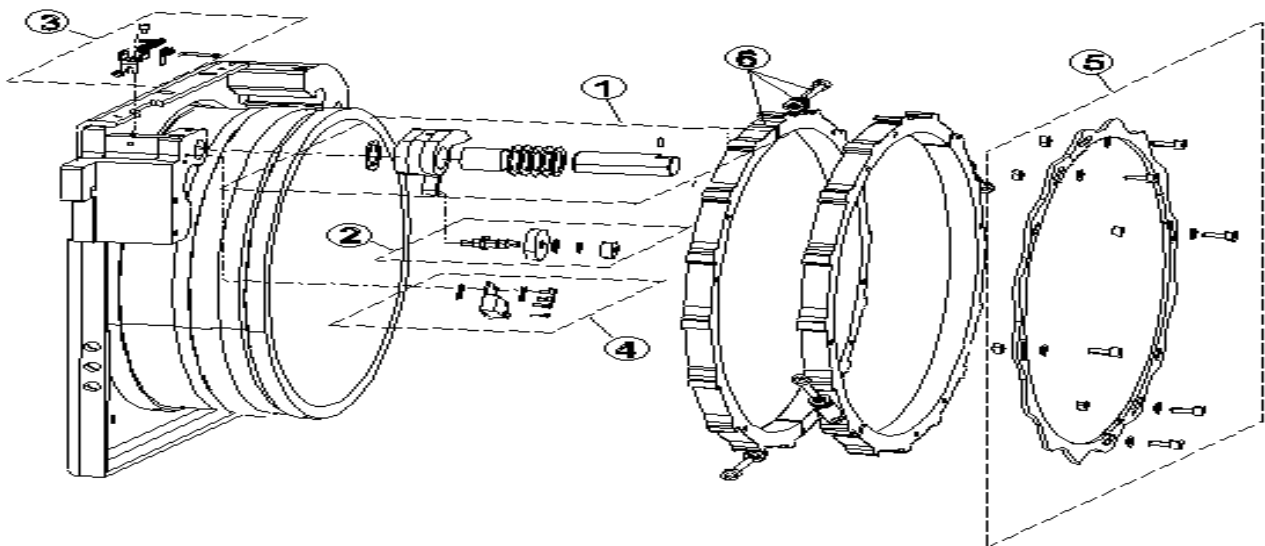
### 3) DRUM BRAKE "HOLD"



014716\_1

ITEM	REFERENCE	DESCRIPTION
1	VT0002707	Ring
2	VT0002708	Shaft set
3	VT0002709	Limit switch
4	VT0002710	Solenoid
5	VT0002711	Enclosure

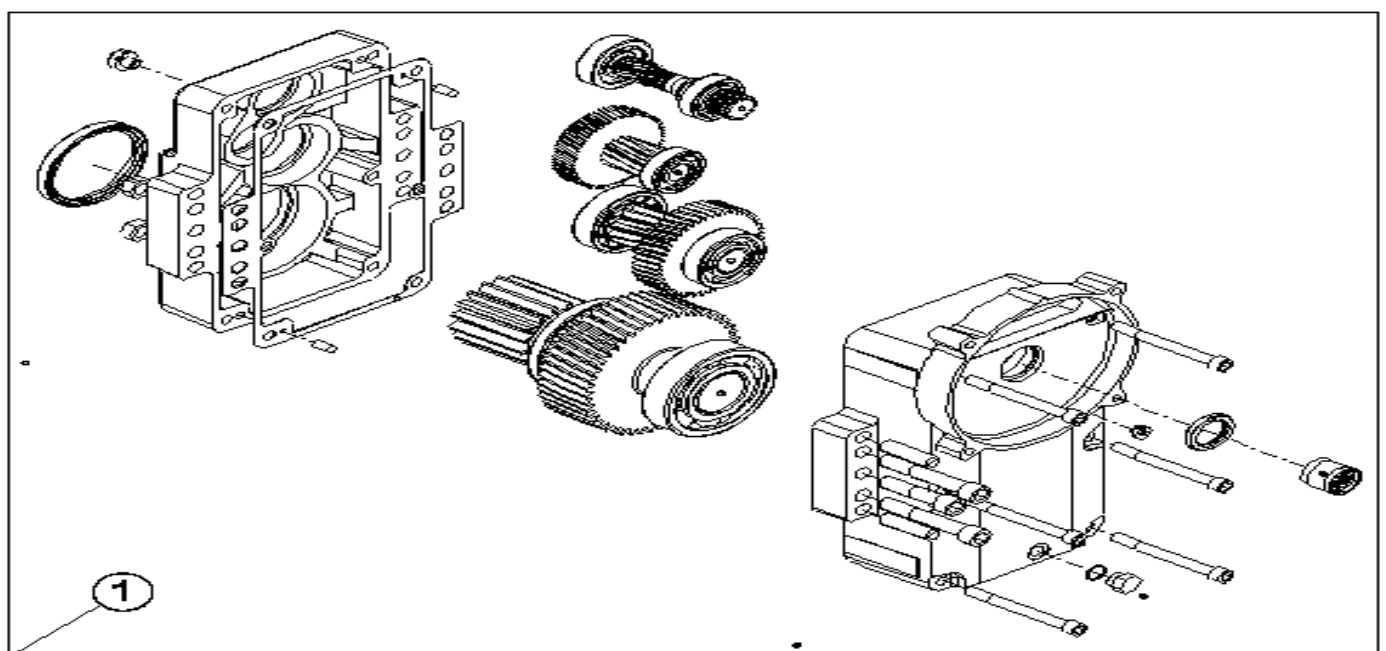
#### 4) DRUM BRAKE "SPEED"



014707\_1

ITEM	REFERENCE	DESCRIPTION
1	VT0002700	Support arm
2	VT0002702	Roller; support roller
2	VT0002701	Roller; support roller
3	VT0002703	Spring
4	VT0002704	Limit switch
5	VT0002706	Cam ring
5	VT0002705	Cam ring
6	VT0002707	Ring

#### 5) GEAR



006768\_2

ITEM	REFERENCE	DESCRIPTION
1	VT0002892	1: Hoist gear type = "E", GEAR
1	VT0001847	Gear
1	VT0001849	Gear
1	VT0001844	Gear
1	VT0001854	Gear
2	VT0001851	Hoist gear type, Hoisting type E-F
2	VT0001853	Hoist gear type, Hoisting type G-H-J
3	VT0001855	Shaft assembly
4	VT0001856	Shaft assembly, Hoisting type E-H
4	VT0001857	Shaft assembly, Hoisting type F-G-J
5	VT0001894	Shaft Assembly
5	VT0001934	Shaft Assembly
5	VT0001862	Shaft Assembly
5	VT0001858	Shaft Assembly
5	VT0001859	Shaft Assembly
6	VT0001953	Shaft Assembly
6	VT0001946	Shaft Assembly
6	VT0001947	Shaft assembly, VT4 - Hoisting type G
7	VT0001982	Seal Set
7	VT0001981	Seal Set
8	VT0000264	Coupling
8	VT0001983	Motor + gearbox coupling, Hoisting type G-H-J

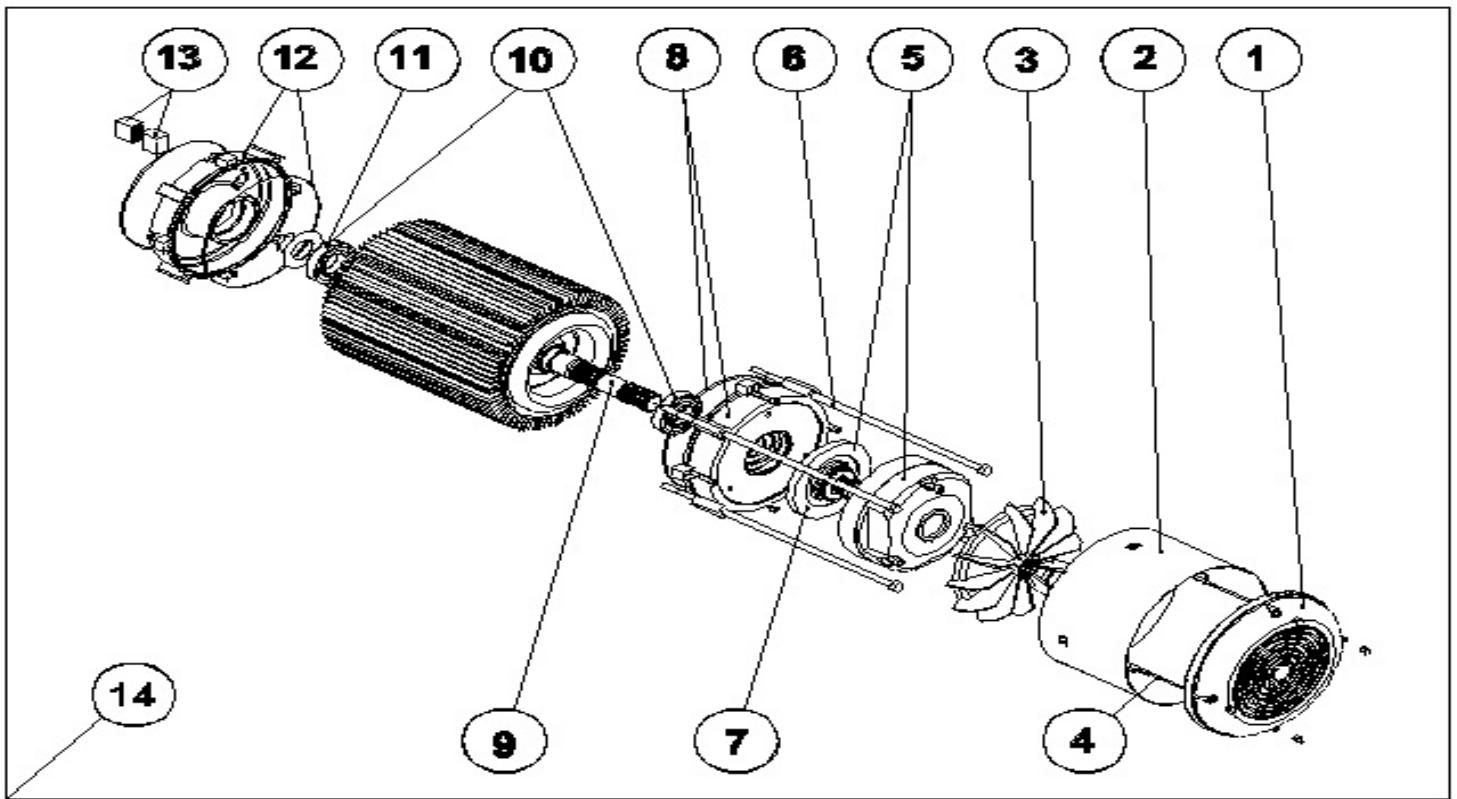
## **6) MOTOR**

ITEM	REFERENCE	DESCRIPTION
6	VT0000112	Screw set, Hoist motor type P
7	VT0002497	Brake disc
8	VT0000114	Flange
9	VT0000115	Shaft assembly, Hoist motor type P
9	VT0002320	Shaft assembly, Hoist motor type P
9	VT0000634	Shaft assembly, Hoist motor type T, Hoisting gear type E-F
9	VT0002321	Shaft assembly, Hoist motor type T - Frame size C & D - M4



10	VT0000116	Bearing, Hoist motor type P
10	VT0000117	Bearing, Hoist motor type T
11	VT0000118	Bearing, Hoist motor type T
12	VT0000119	Flange
13	VT0000631	Plug
-	VT0002145	
-	VT0000111	Brake 200/240V, VT0002866
-	VT0000128	Screw set, Hoist motor type T
-	VT0000113	Screw set, Hoist motor type T

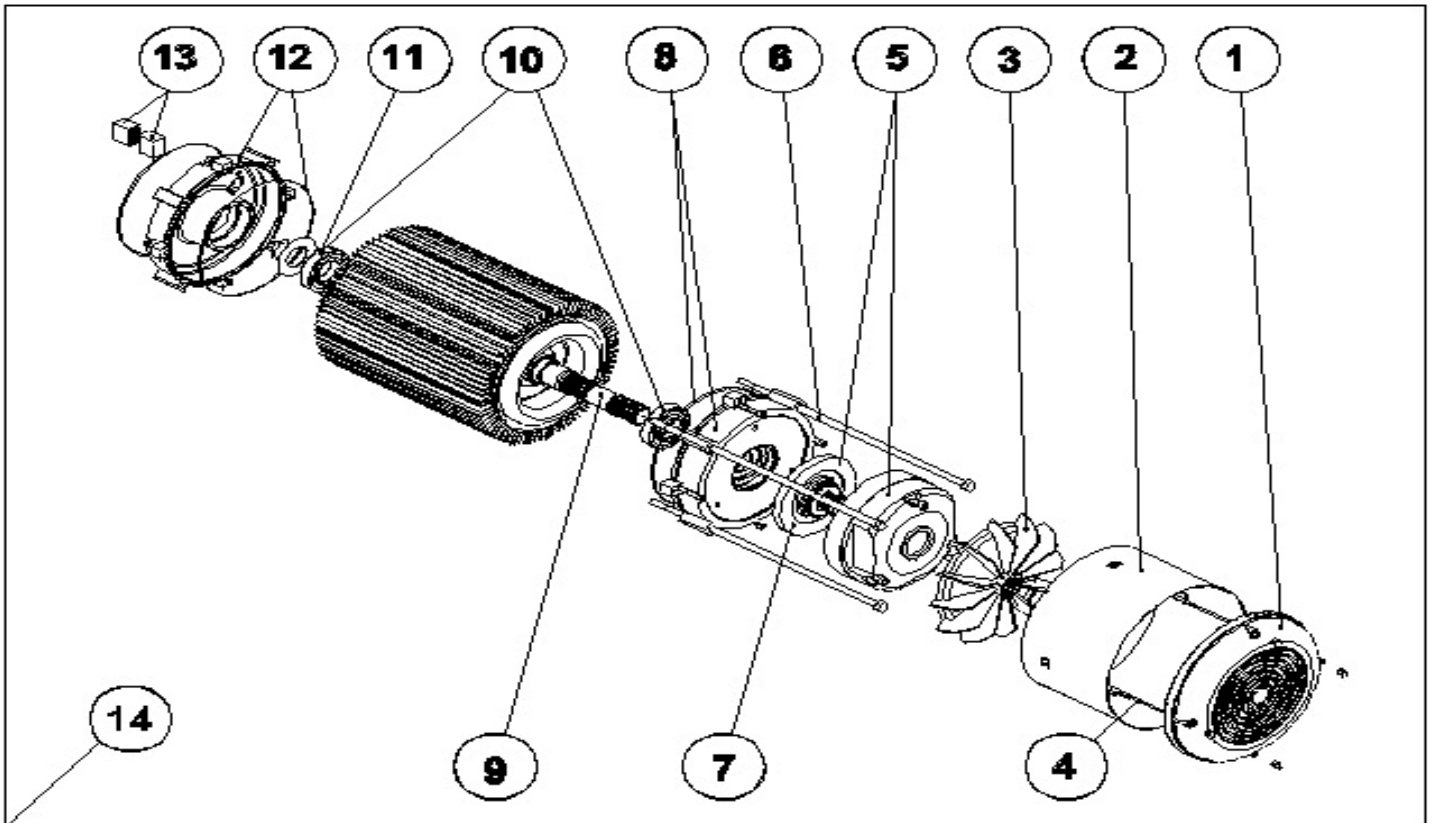
### 6.1) HOIST MOTOR SIZE 6 - TYPE P & T



ITEM	REFERENCE	DESCRIPTION
1	VT0000219	Grate set, VT0000103
2	VT0001228	Cover
2	VT0002322	Cover, Hoist motor type T
2	VT0000220	Cover, VT0000104
3	VT0000105	Fan
4	VT0001967	Support
4	VT0000106	Support
5	VT0002866	Brake, 200V 240V (VT0000111)

5	VT0002842	Brake, 346V 480V (VT0000107)
5	VT0002852	Brake, 500V 600V (VT0000108)
5	VT0002859	Brake, 660V 690V (VT0000109)
-	VT0000107	Brake 380/480V, VT0002842
-	VT0000108	Brake 500/600V, VT0002852
-	VT0000109	Brake 660/690V 50Hz, VT0002859

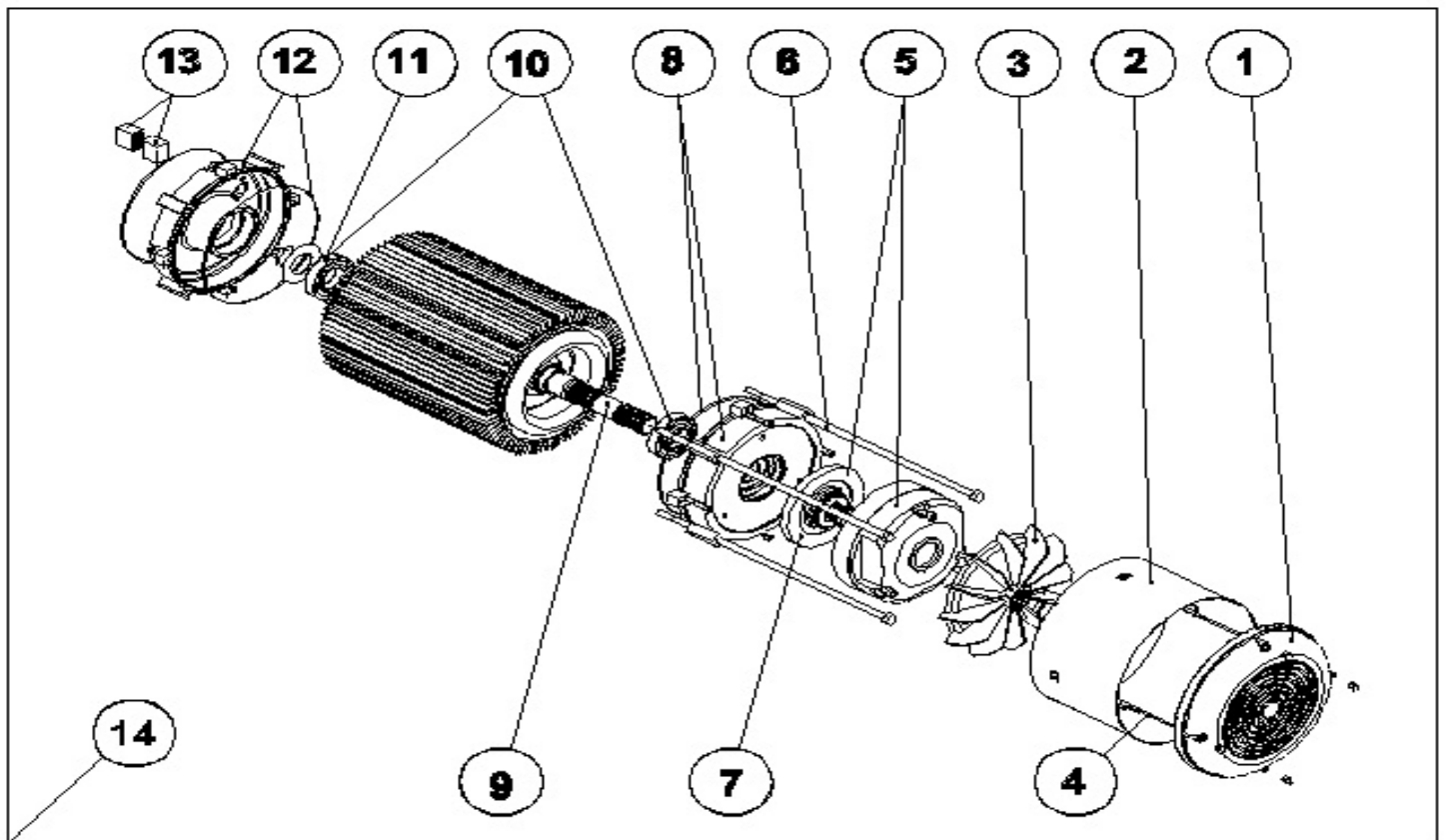
## 6.2) HOIST MOTOR SIZE 7 - TYPE P & T



ITEM	REFERENCE	DESCRIPTION
1	VT0000219	Grate set, VT0000103
2	VT0001228	Cover
2	VT0002322	Cover, Hoist motor type T
2	VT0000220	Cover, VT0000104
3	VT0000105	Fan
4	VT0001967	Support
4	VT0000106	Support
5	VT0002867	Brake, 200V 240V - Frame size C & D - Drum D, E, F, G - (VT0001971)
5	VT0002841	Brake, 346V 480V - Frame size C & D - Drum D, E, F, G - (VT0000123)
5	VT0002854	Brake, 500V 600V - Frame size C & D - Drum D, E, F, G - (VT0000124)

5	VT0002860	Brake, 600V 690V - Frame size C & D - Drum D, E, F, G - (VT0000125)
6	VT0000127	Screwsset, Hoist motor type P
6	VT0000112	Screw set, Hoist motor type P
7	VT0002498	Brake disc, Frame size C &D - Drum D, E, F, G - (VT0002146)
8	VT0000131	Flange
9	VT0000130	Shaft assembly, Hoist motor type P, Hoisting gear type E-F
9	VT0001910	Shaft assembly, Hoist motor type P, Hoisting gear type G,H,J
9	VT0002323	Shaft assembly, Hoist motor type P - Frame size C & D - M4
9	VT0002324	Shaft assembly, Hoist motor type P - Frame size D - M5
9	VT0000634	Shaft assembly, Hoist motor type T, Hoisting gear type E-F
9	VT0001909	Shaft assembly, Hoist motor type T, Hoisting gear type G-H-J
9	VT0002321	Shaft assembly, Hoist motor type T - Frame size C & D - M4
9	VT0002325	Shaft assembly, Hoist motor type T - Frame size D - M5
10	VT0000116	Bearing, Hoist motor type P
10	VT0000117	Bearing, Hoist motor type T
11	VT0000118	Bearing, Hoist motor type T
12	VT0000119	Flange
13	VT0000631	Plug
-	VT0002146	
-	VT0000126	Brake 200/240V
-	VT0000123	Brake 380/480V
-	VT0000124	Brake 500/600V
-	VT0000125	Brake 660/690 50 Hz
-	VT0000128	Screw set, Hoist motor type T
-	VT0000113	Screw set, Hoist motor type T

### 6.3) HOIST MOTOR SIZE 8, 9 & A

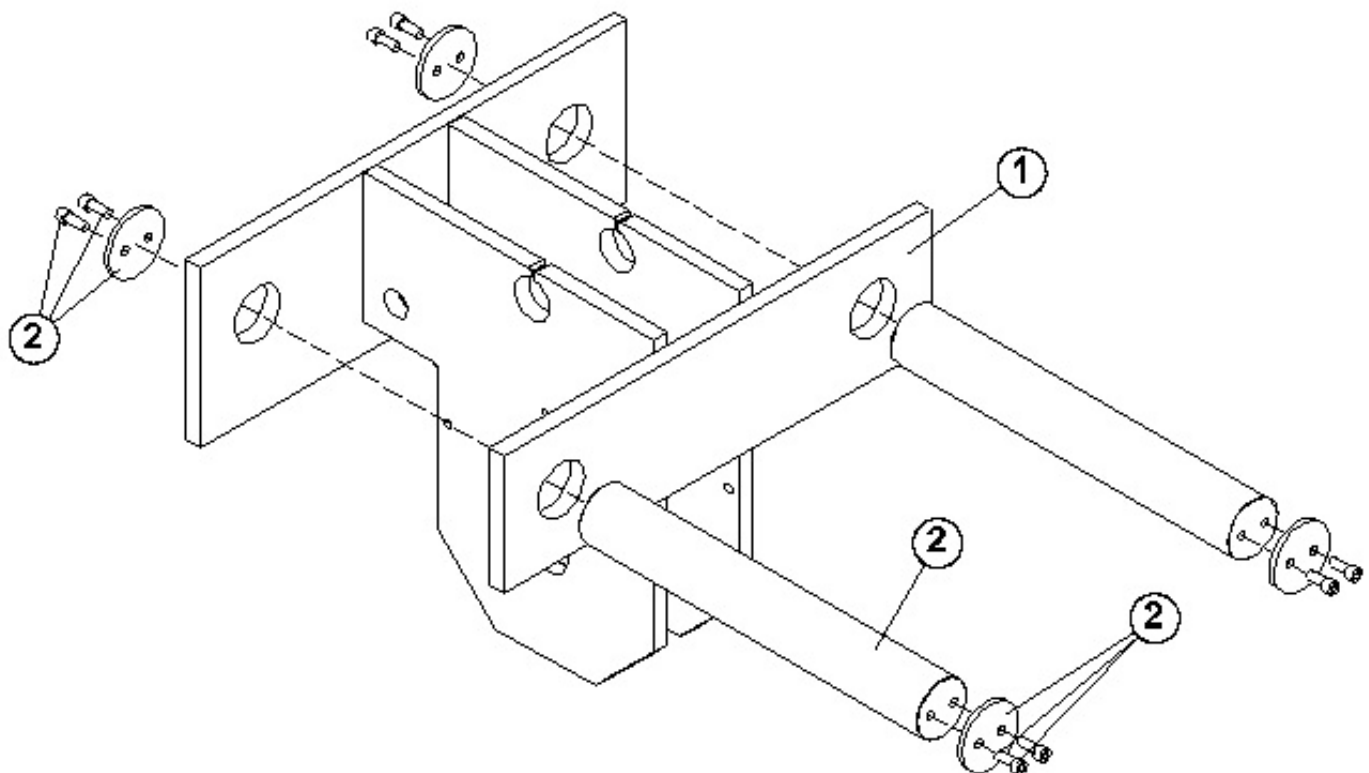


ITEM	REFERENCE	DESCRIPTION
1	VT0000219	Grate set, VT0000103
2	VT0001228	Cover
2	VT0002322	Cover, Hoist motor type T
2	VT0000220	Cover, VT0000104
3	VT0000105	Fan
4	VT0001967	Support
4	VT0000106	Support
5	VT0002845	1: Voltage / Tension 1(main) = 346, 480, BRAKE
5	VT0002853	1: Voltage / Tension 1(main) = 500, 600, BRAKE DISK SET
5	VT0002861	1: Voltage / Tension 1(main) = 660, 690, BRAKE
5	VT0002869	Brake
6	VT0000127	Screw set, Hoist motor type P
6	VT0000112	Screw set, Hoist motor type P
7	VT0002498	Brake disc, Frame size C & D - Drum D, E, F, G - (VT0002146)
8	VT0000131	Flange
9	VT0002326	Shaft assembly
9	VT0001972	Shaft assembly

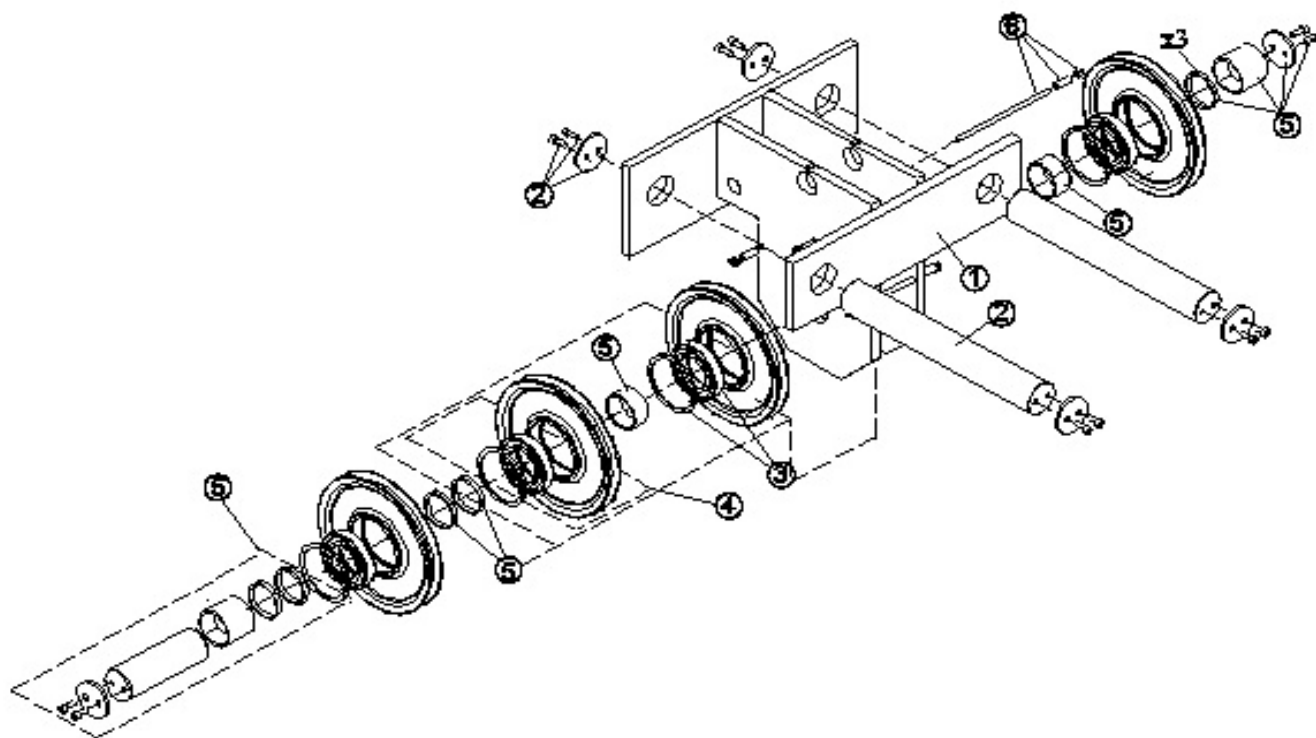
9	VT0001910	Shaft assembly, Hoist motor type P, Hoisting gear type G, H, J
9	VT0001909	Shaft assembly, Hoist motor type T, Hoisting gear type G-H-J
9	VT0002325	Shaft assembly, Hoist motor type T - Frame size D - M5
10	VT0000116	Bearing, Hoist motor type P
10	VT0000117	Bearing, Hoist motor type T
11	VT0000118	Bearing, Hoist motor type T
12	VT0000119	Flange
13	VT0000631	Plug
-	VT0001971	1: Voltage/Tension 1(main) = 200-240, BRAKE
-	VT0001968	1: Voltage/Tension 1(main) = 380-480, BRAKE
-	VT0001969	1: Voltage/Tension 1(main) = 500-560, BRAKE
-	VT0001970	1: Voltage/Tension 1(main) = 660-690, BRAKE
-	VT0002146	
-	VT0000128	Screw set, Hoist motor type T
-	VT0000113	Screw set, Hoist motor type T

## **7) ROPE SHEAVE**

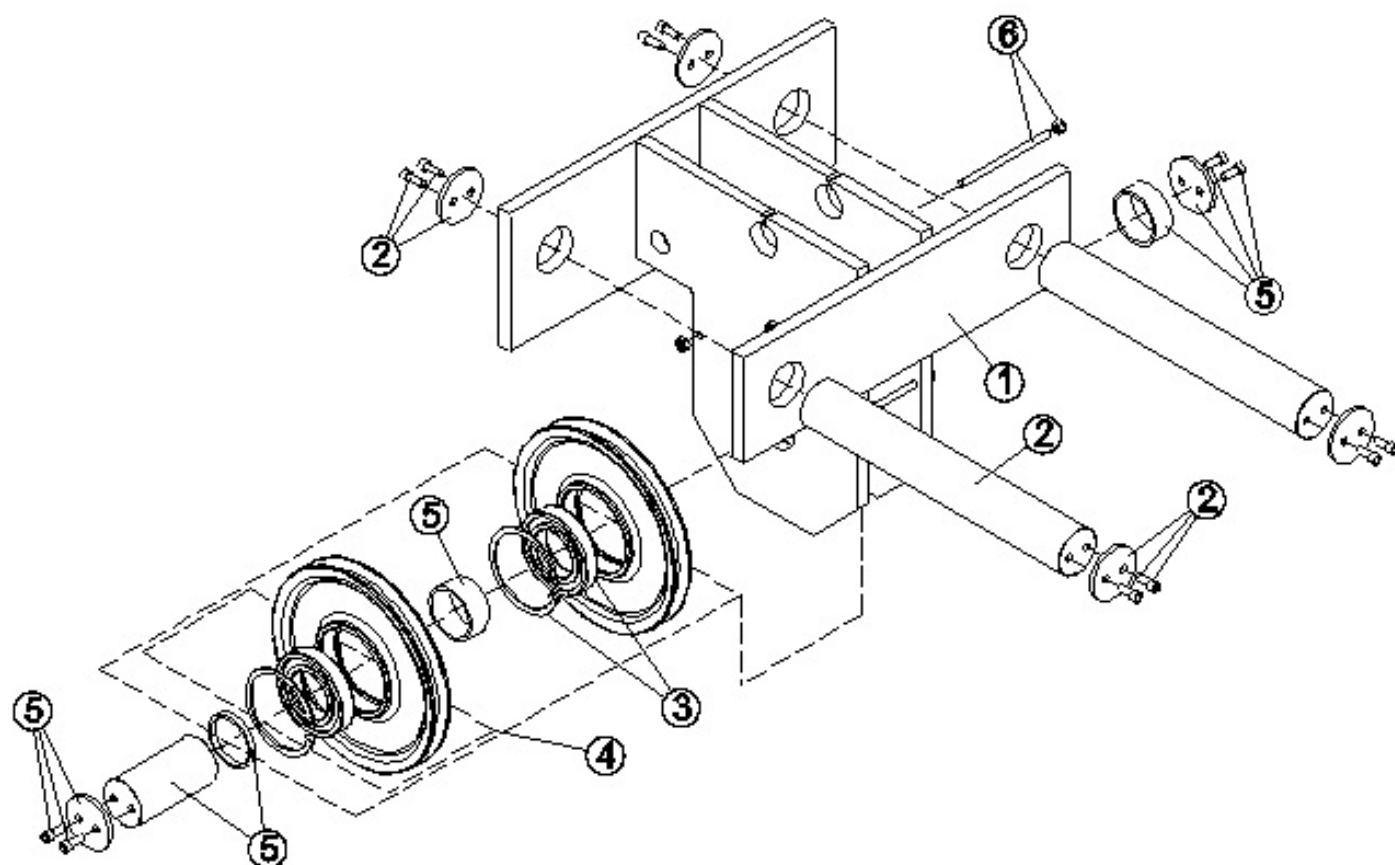
### **7.1) ROPE REEVING: 22**



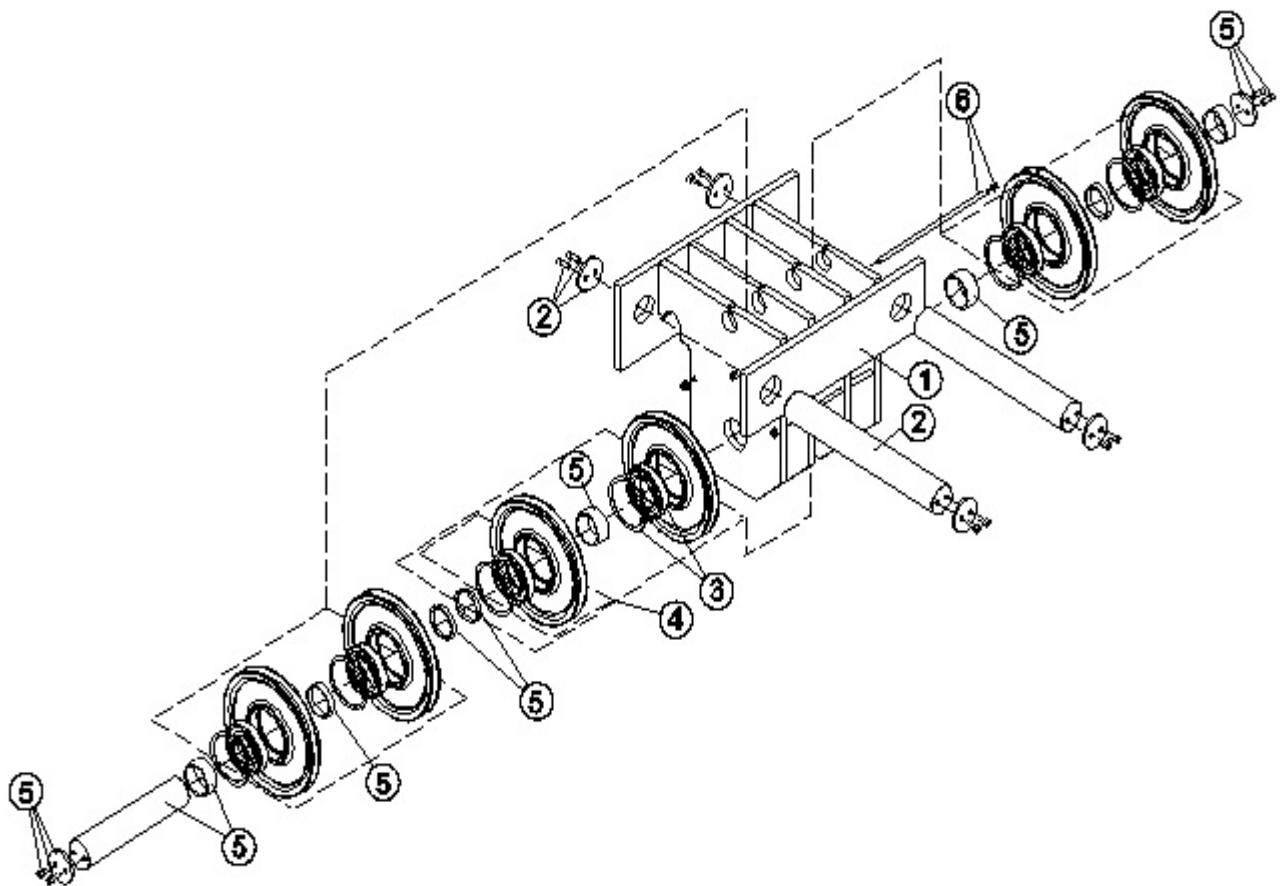
### 7.2) ROPE REEVING: 24



### 7.3) ROPE REEVING: 26



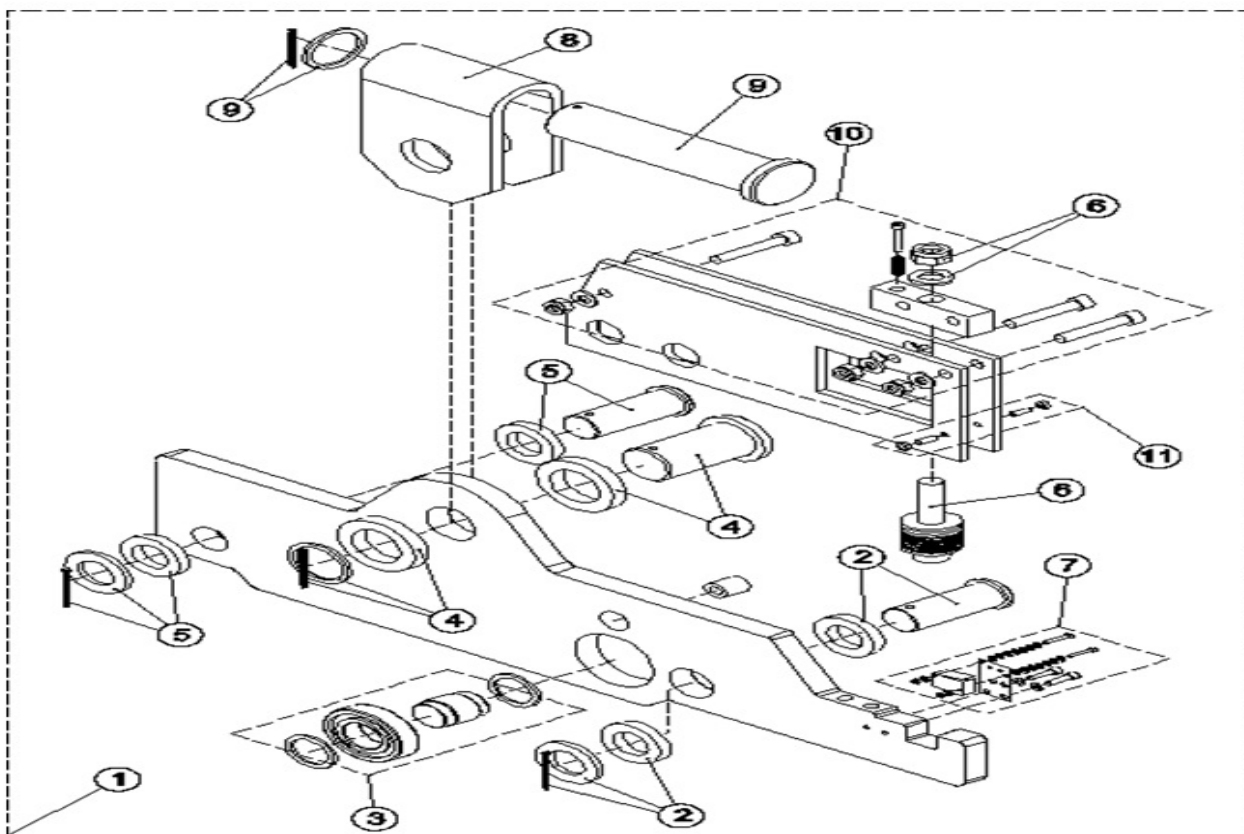
## 7.4) ROPE REEVING: 28



ITEM	REFERENCE	DESCRIPTION
1	VT0002225	1: Rope reeving code = "22", "24", SHEAVE SUPPORT
1	VT0002226	1: Rope reeving code = "26", "28", SHEAVE SUPPORT
2	VT0002221	Shaft Set
3	VT0001015	Bearing set, Reeving system 02-04-06-08-10
4	VT0001010	Rope sheave
5	VT0002224	1: Rope reeving code = "20", SHAFT SET
5	VT0002222	1: Rope reeving code = "24", SHAFT SET
5	VT0002624	1: Rope reeving code = "26", SHAFT SET
5	VT0002223	1: Rope reeving code = "26", SHAFT SET
5	VT0002341	1: Rope reeving code = "28", SHAFT SET
6	VT0001122	1: Rope reeving code = 24,26,28, SCREW ROD
6	VT0002535	1: Rope reeving code = "26", "28", SCREW ROD
6	VT0002536	Screw rod, Reeving system 24
-	VT0002220	

## 8) OVERLOAD DEVICE

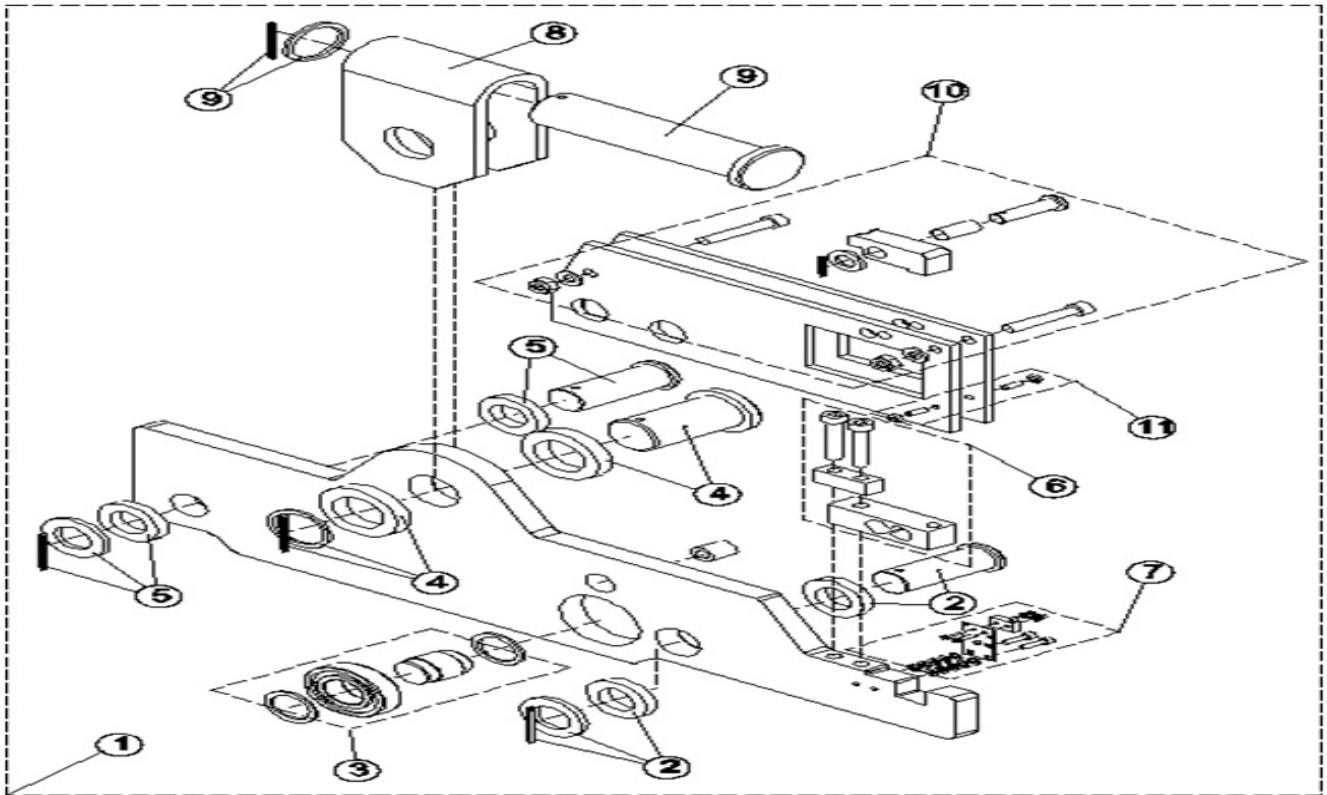
### 8.1) OVERLOAD DEVICE TYPE: MEC, MECPOW



ITEM	REFERENCE	DESCRIPTION
1	VT0002228	Overload Device
1	VT0002230	Overload Device
1	N0002441	Overload Device
1	VT0002227	Overload Device
2	VT0001139	Shaft set
3	VT0001140	Shaft set
4	VT0002699	Shaft Set
4	VT0002231	Shaft Set
5	VT0001139	Shaft set
6	VT0001150	Spring set 02 3200-6300kg 04 6300-12500kg 06 9450-18750kg 08 12500-25000kg
6	VT0001149	Spring set 02 6300-10000kg 04 12500-20000 06 18750-30000 08 25000-40000kg
7	VT0002236	Micro switch, No suitable for hazardous areas
8	VT0002232	Support Plate
9	VT0002342	Shaft Set
10	VT0001152	Screw set, To HHY54945, No suitable for hazardous areas
11	VT0001136	Screw set

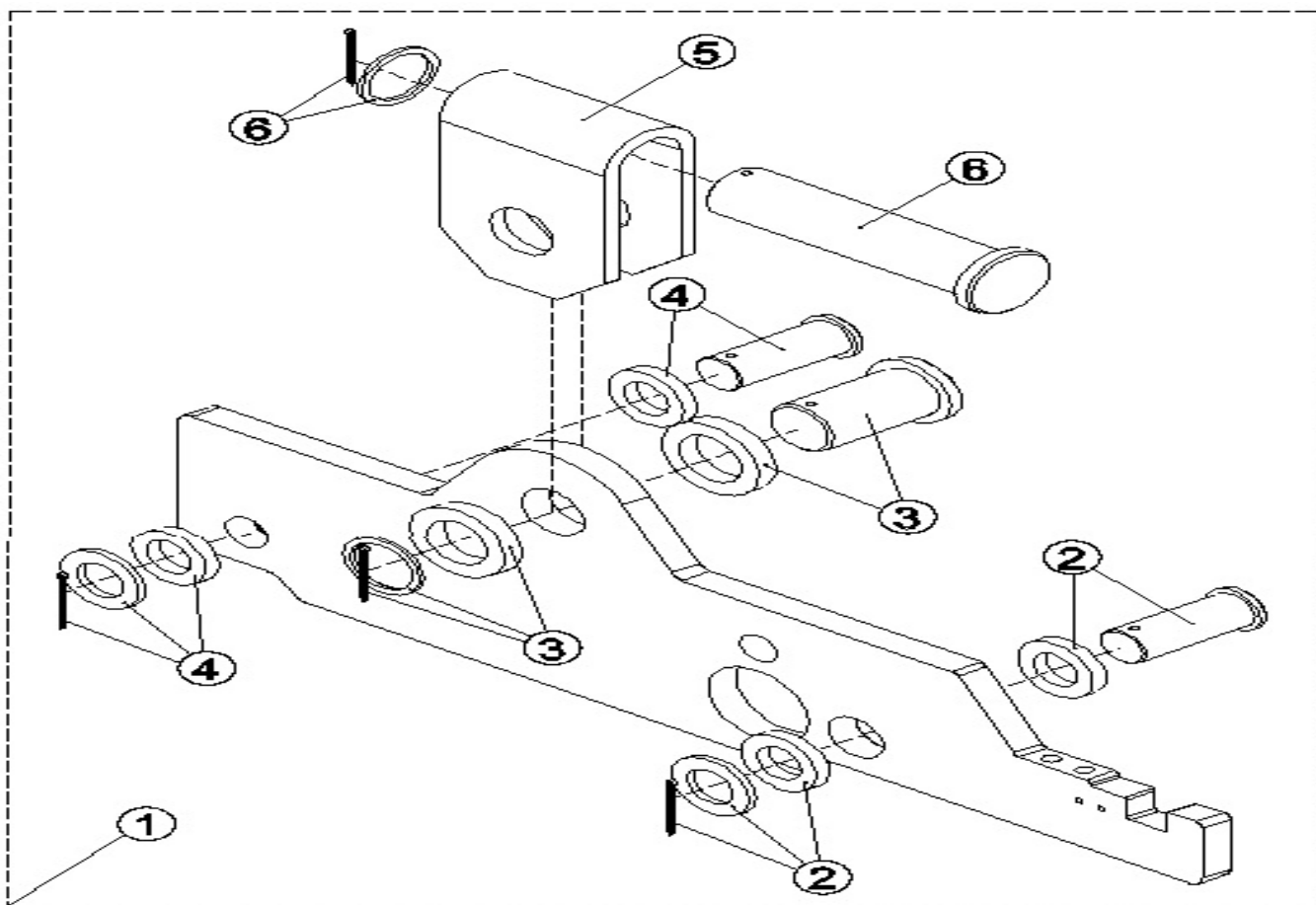


## 8.2) OVERLOAD DEVICE TYPE: SG



ITEM	REFERENCE	DESCRIPTION
1	VT0002234	1: Rope reeving code = "20", "28", OVERLOAD DEVICE
1	VT0002233	1: Rope reeving code = "24", "26", OVERLOAD DEVICE
2	VT0001139	Shaft set
3	VT0001140	Shaft set
4	VT0002699	Shaft Set
4	VT0002231	Shaft Set
5	VT0001139	Shaft set
6	VT0001817	Sensor, To HHY54945, (VT0000278)- (VT0001128)
7	VT0002235	Micro Switch
8	VT0002232	Support Plate
9	VT0002342	Shaft Set
10	VT0002369	Fixing set, To HHY54945
11	VT0001136	Screw set
-	VT0000278	
-	VT0001128	Sensor

### 8.3) OVERLOAD DEVICE TYPE: NO

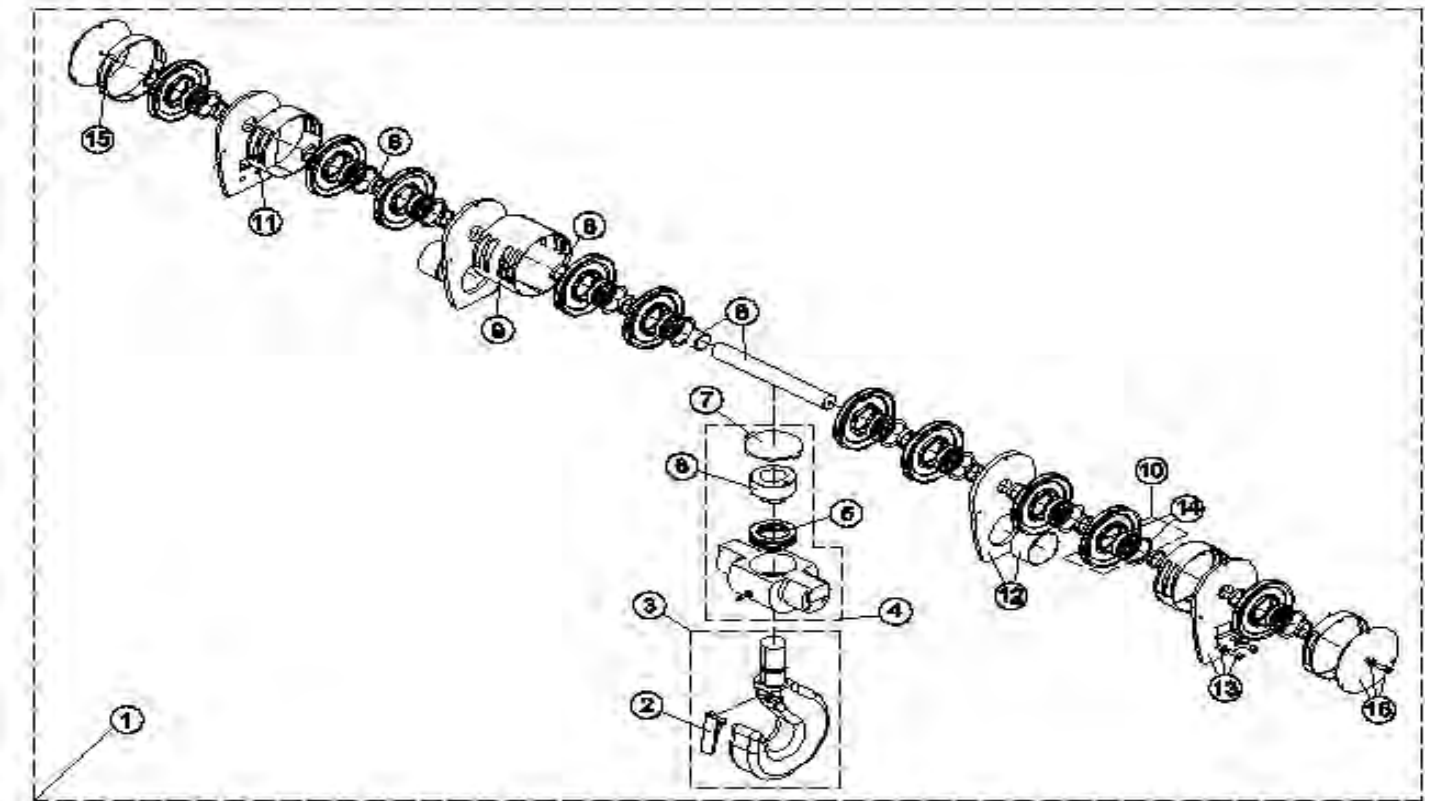


ITEM	REFERENCE	DESCRIPTION
1	VT0002238	1: Rope reeving code = "20", "28", ROPE SUPPORT
1	VT0002237	1: Rope reeving code = "24", "26", ROPE SUPPORT
2	VT0001139	Shaft set
3	VT0002231	Shaft set
4	VT0002699	Shaft set
4	VT0001139	Shaft set
5	VT0002232	Support Plate
6	VT0002342	Shaft set

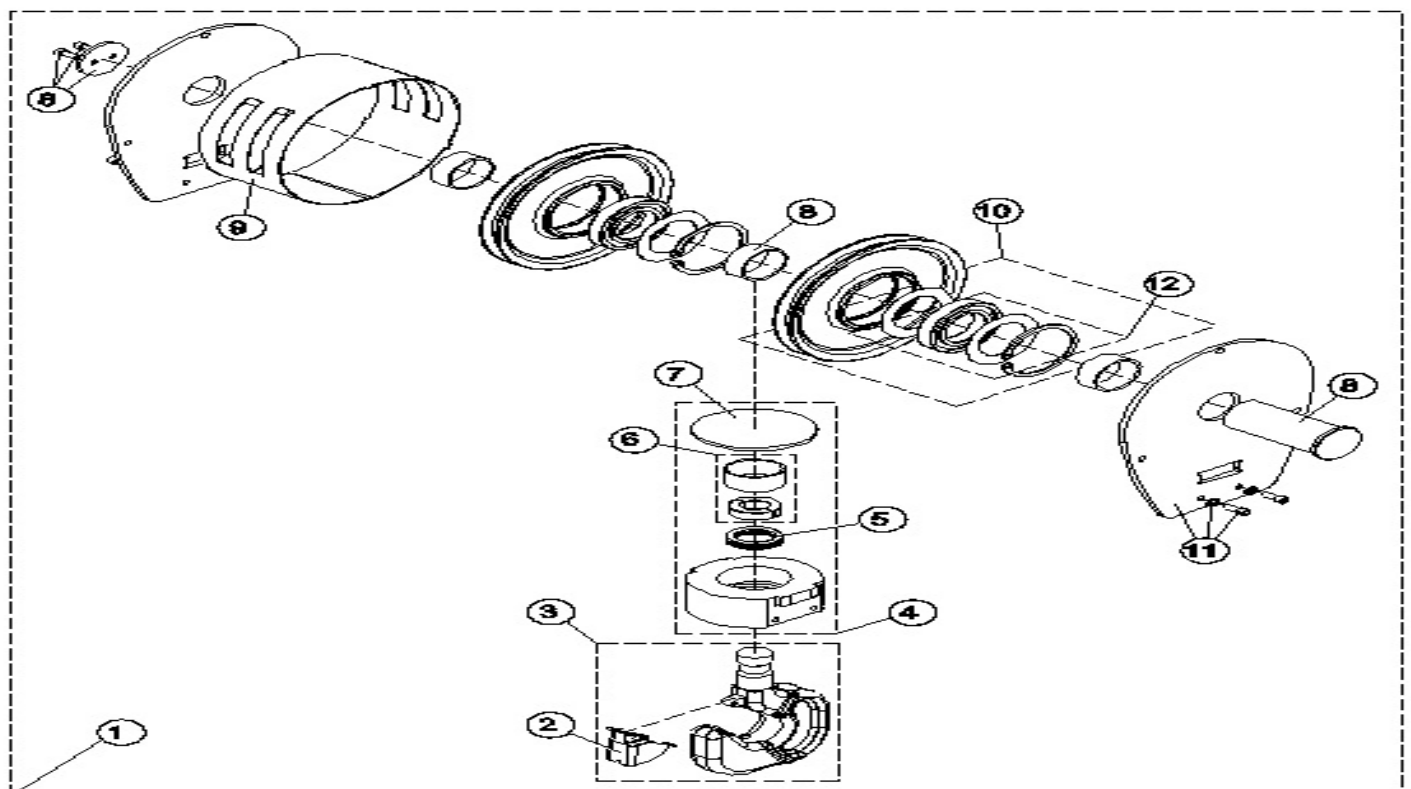
## 9) HOOK

### 9.1) ROPE REEVING CODE: 20

9.5 - Rope reeving code = "20"  
9.5 - Code mouflage = "20"

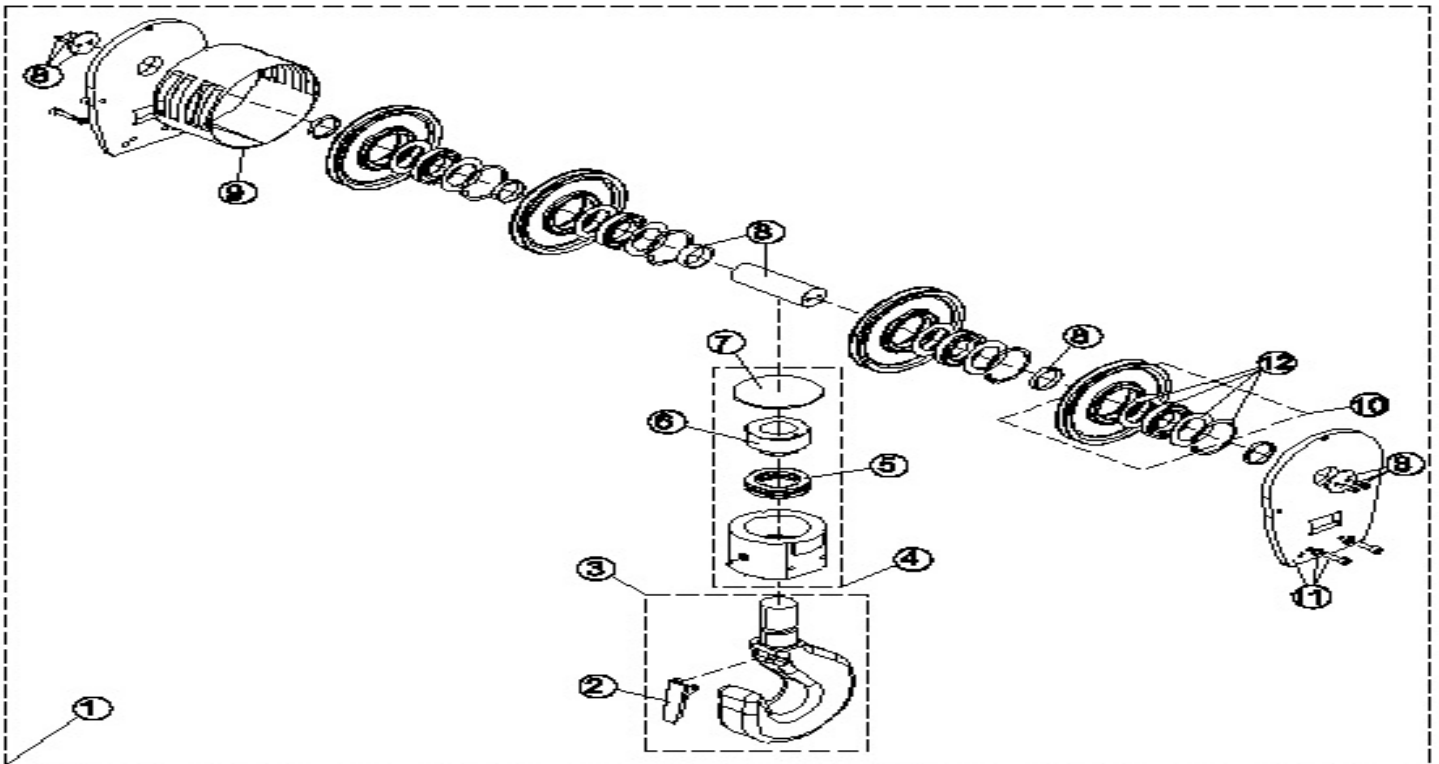


### 9.2) ROPE REEVING CODE: 22



ITEM	REFERENCE	DESCRIPTION
1	VT0001157	1: Rope reeving code = 04, HOOK BLOCK
2	VT0001219	Safety latch set
3	VT0000825	Hook
4	VT0000680	Locking set, To HIY60200
5	VT0000827	Bearing
6	VT0000681	Cover set
7	VT0000874	Cover, To HIY60200
8	VT0001159	Shaft set
9	VT0001160	Cover
10	VT0001010	Sheave; rope sheave
11	VT0001162	Side Plate
12	VT0001015	Bearings set, Reeving system 02-04-06-08-10

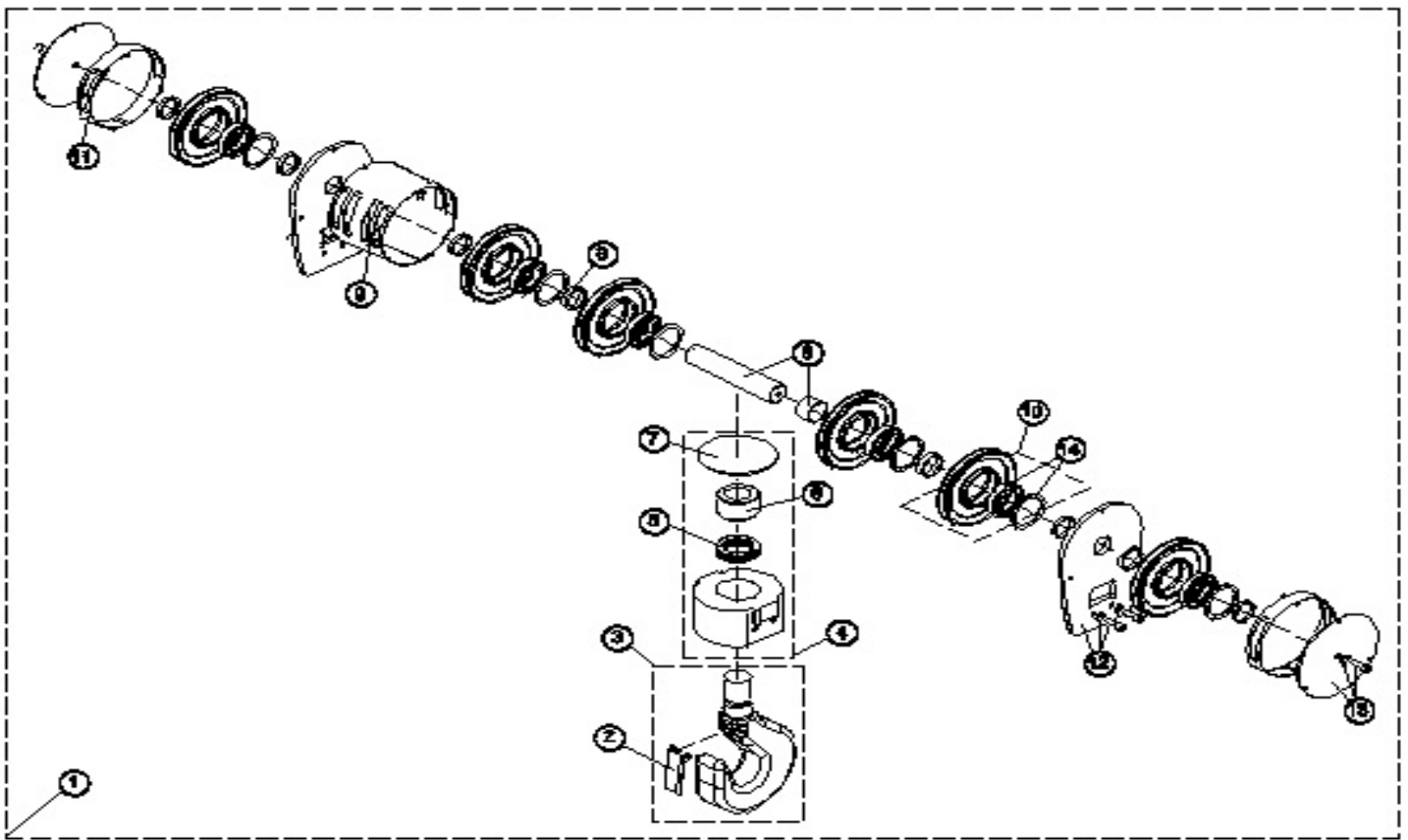
**9.3) ROPE REEVING CODE: 24**



ITEM	REFERENCE	DESCRIPTION
1	VT0001017	1: Rope reeving code = 08, HOOK BLOCK
2	VT0001016	Safety latch set, HBC hook forging not replaced by standard RSN forging
3	VT0001021	Hook
4	VT0001022	Locking set

5	VT0001023	Bearings
6	VT0001024	Nut
7	VT0001027	Cover
8	VT0001025	Shaft set
9	VT0001028	Cover
10	VT0001010	Sheave; rope sheave
11	VT0001029	Side Plate
12	VT0001015	Bearings set, Reeving system 02-04-06-08-10

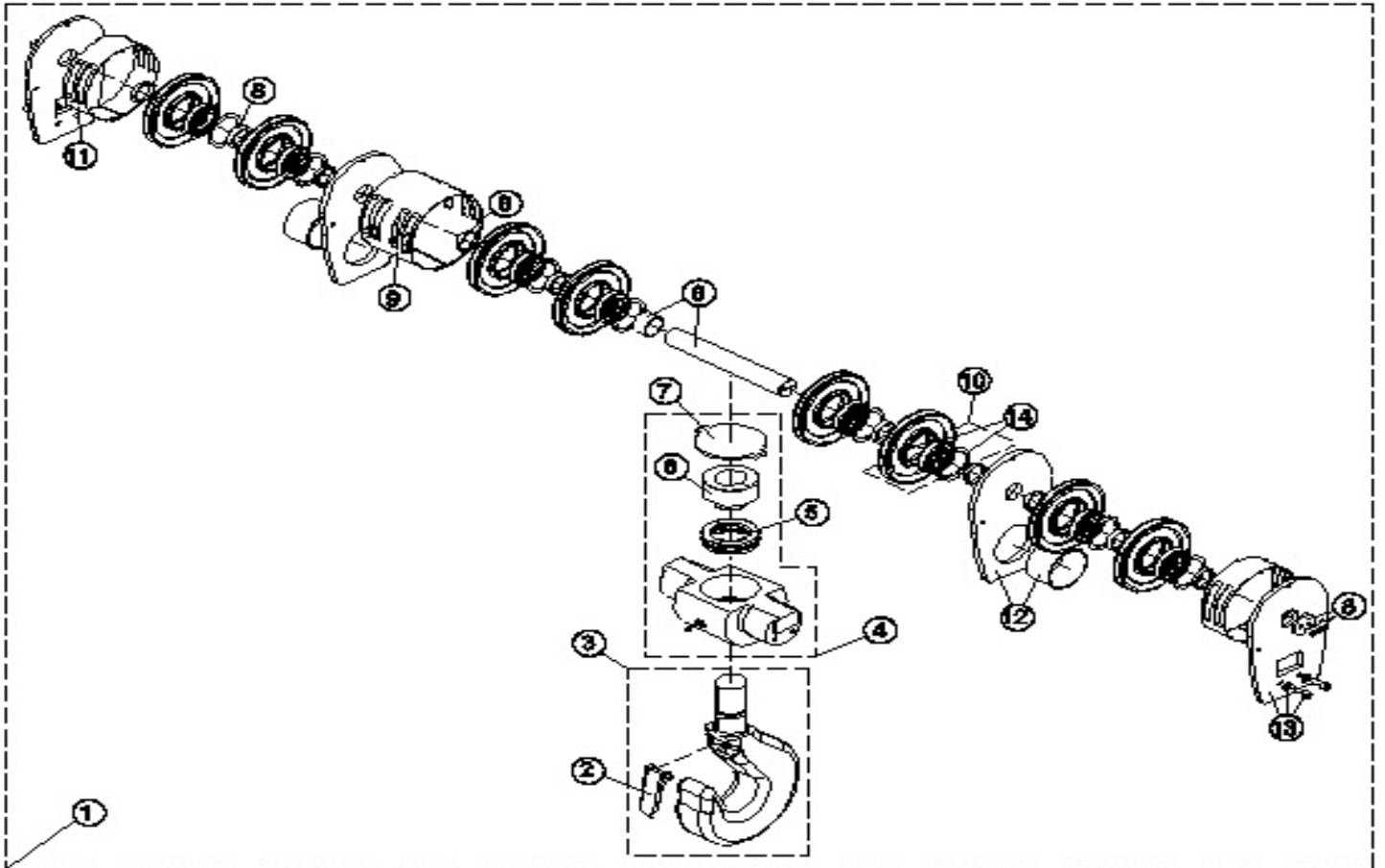
**9.4) ROPE REEVING CODE: 26**



ITEM	REFERENCE	DESCRIPTION
1	VT0002190	Hook Block
2	VT0002191	Safety Latch Set
3	VT0002301	Hook
4	VT0002193	Bearing Set
5	VT0002194	Bearing
6	VT0002195	Nut
7	VT0001027	Cover
8	VT0002196	Shaft Set

9	VT0001028	Cover
10	VT0001010	Rope sheave
11	VT0001030	Cover, Reeving 10
12	VT0001029	Side Plate
13	VT0001031	Cover set
14	VT0001015	Bearing set, Reeving system 02-04-06-08-10

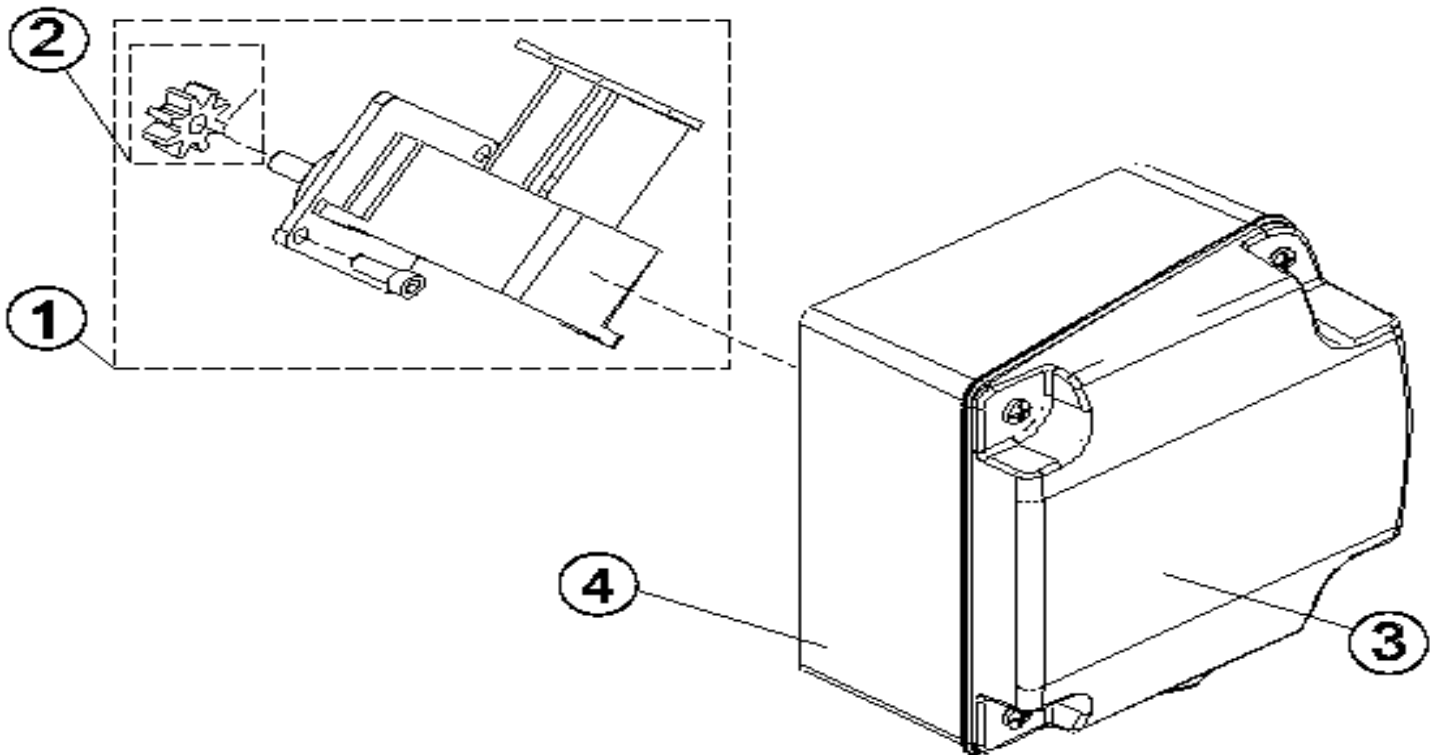
### **9.5) ROPE REEVING CODE: 28**



ITEM	REFERENCE	DESCRIPTION
1	VT0002198	1: Rope reeving code = "20", HOOK BLOCK
1	VT0002197	1: Rope reeving code = "28", HOOK BLOCK
2	VT0002200	Safety Latch Set
3	VT0002201	Hook
4	VT0002202	Bearing Set
5	VT0002203	Bearing
6	VT0002204	NUT
7	VT0001027	Cover

8	VT0002206	1: Rope reeving code = "20", SHAFT SET
8	VT0002205	1: Rope reeving code = "28", SHAFT SET
9	VT0001028	Cover
10	VT0001010	Rope sheave
11	VT0002207	Cover
12	VT0002209	Side Plate
13	VT0001029	Side Plate
14	VT0001015	Bearings set, Reeving system 02-04-06-08-10
15	VT0001030	Cover, Reeving 10
16	VT0001031	Cover set

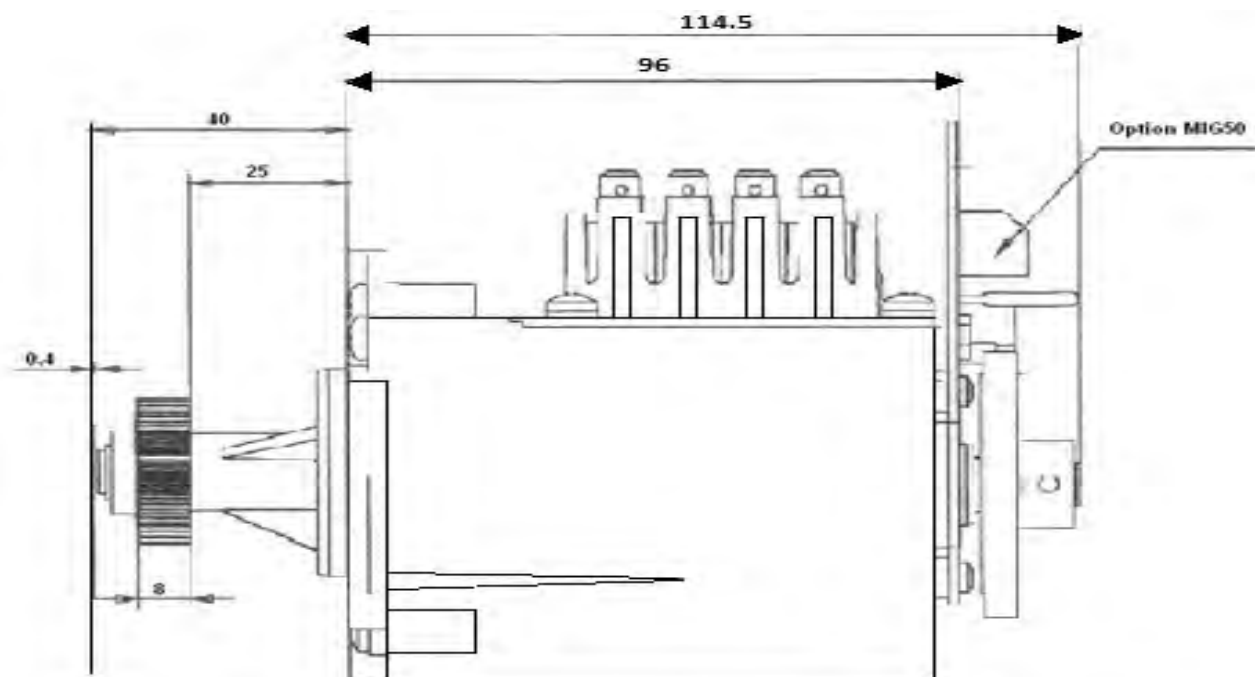
### 10) HOIST LIMIT SWITCH



000100 1

ITEM	REFERENCE	DESCRIPTION
1	VT0001180	Limit switch
1	VT0001179	Limit switch
2	VT0001178	Gear wheel set
5	VT0002462	Junction box
-	VT0002148	
-	VT0002147	

## 10.1) CENTRED LIFTING

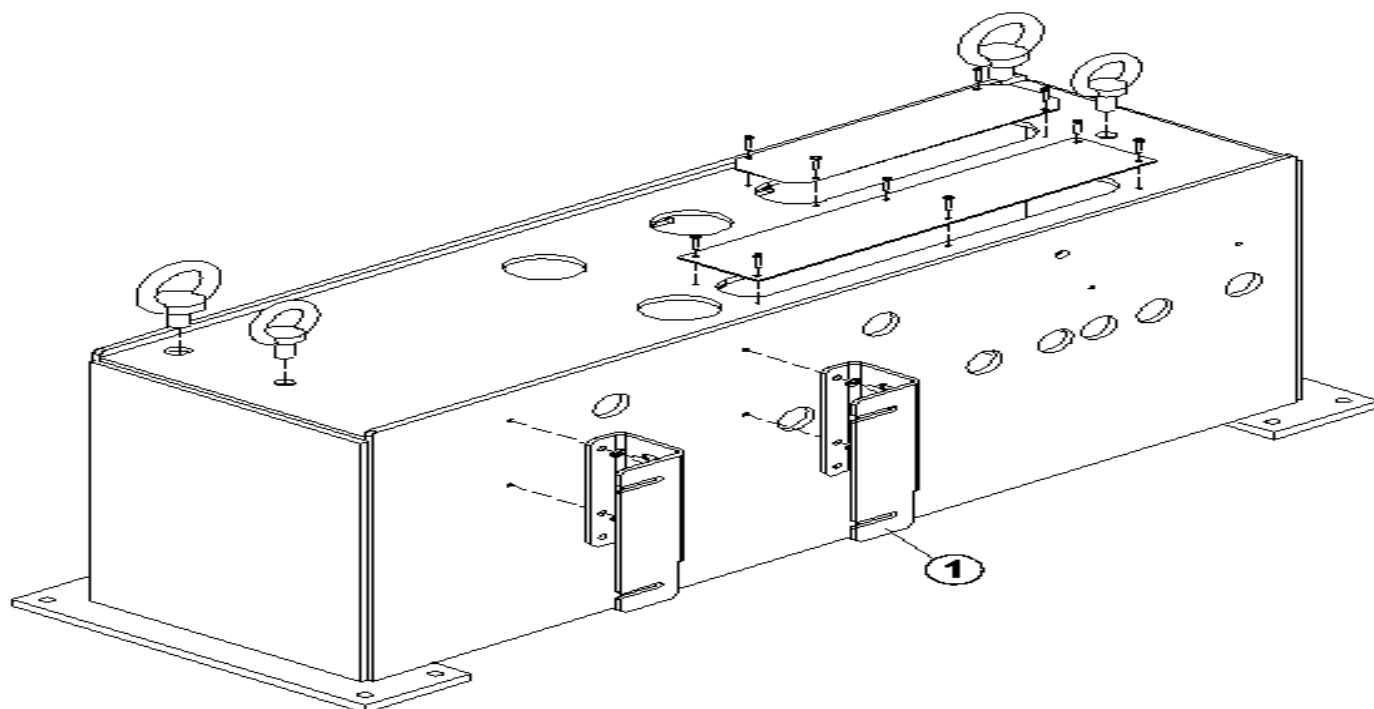


PS: en option nous fournissons le fin de course + un codeur 50 pts (nous consulter)

PS: on option you can have the limit switch + encoder 50pts (please contact us)

ITEM	REFERENCE	DESCRIPTION
1	52334847	Rotating limit switch, DRUM F, G & H
1	52334846	Rotating limit switch, DRUM J, K, L, M, N & P

## 11) TROLLEY F

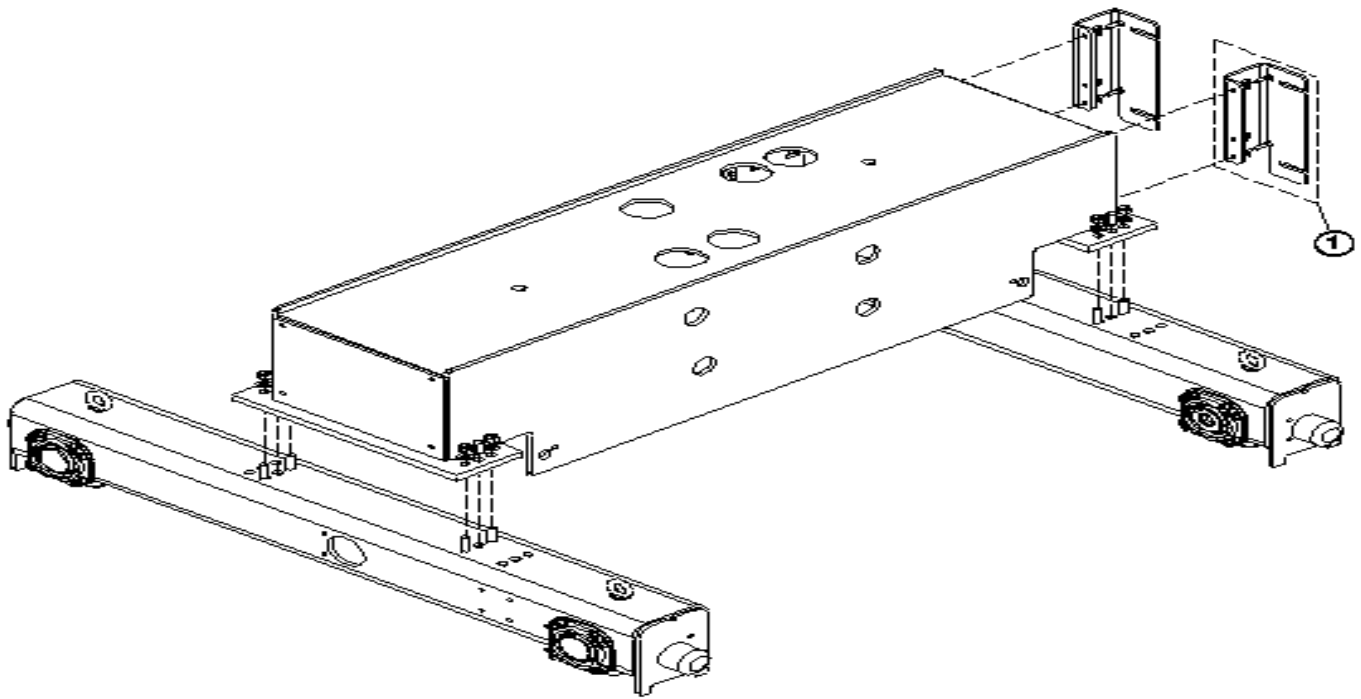


00-8336\_1

ITEM	REFERENCE	DESCRIPTION
1	VT0001739	Support – Electric Cubicle



## 12) TROLLEY M & MA

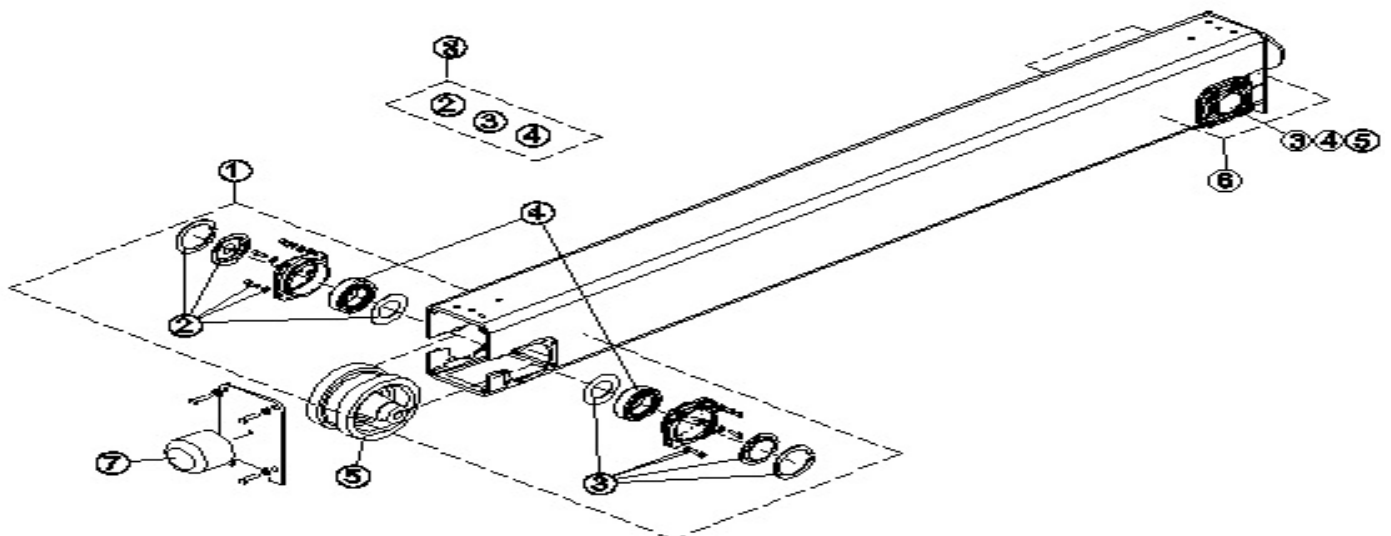


0047-2 1

ITEM	REFERENCE	DESCRIPTION
1	VT0002240	1: Rope reeving code = "20", "26", "28", SUPPORT; ELECTRIC CUBICLE
1	VT0002239	1: Rope reeving code = "22", "24", SUPPORT; ELECTRIC CUBICLE

## 13) CARRIAGE

### 13.1) TROLLEY H, M, MA & W - CODE EC20

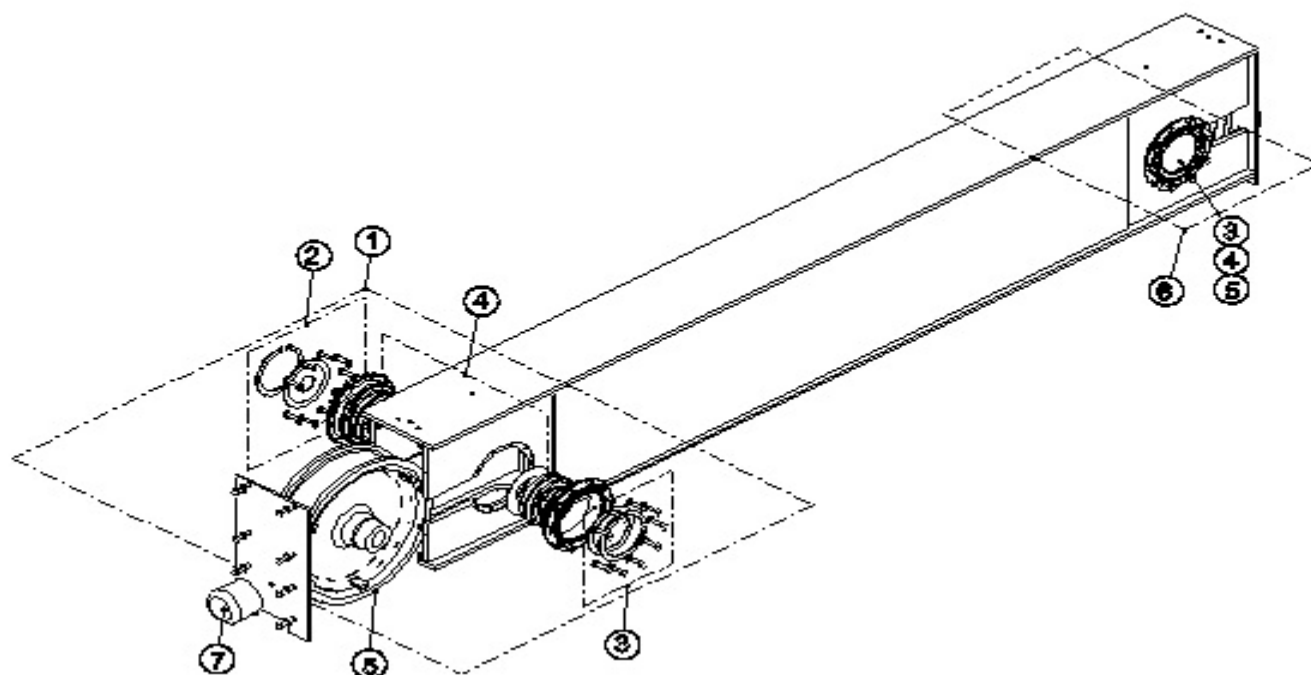


ITEM	REFERENCE	DESCRIPTION
1	VT0001083	1: Trolley wheel groove width = 55, TRAVEL WHEEL; DRIVING
1	VT0001084	1: Trolley wheel groove width = 60, TRAVEL WHEEL; DRIVING
1	VT0001085	1: Trolley wheel groove width = 65, TRAVEL WHEEL; DRIVING

1	VT0001086	1: Trolley wheel groove width = 70, TRAVEL WHEEL; DRIVING
1	VT0001087	1: Trolley wheel groove width = 75, TRAVEL WHEEL; DRIVING
1	VT0001088	1: Trolley wheel groove width = 80, TRAVEL WHEEL; DRIVING
1	VT0001089	1: Trolley wheel groove width = 85, TRAVEL WHEEL; DRIVING
1	VT0001090	1: Trolley wheel groove width = 90, TRAVEL WHEEL; DRIVING
1	VT0001091	1: Trolley wheel groove width = 95, TRAVEL WHEEL; DRIVING
1	VT0001092	1: Trolley wheel groove width = 100, TRAVEL WHEEL; DRIVING
1	VT0001607	Wheel set driving, Groove width 55 mm
1	VT0001608	Wheel set driving, Groove width 60 mm
1	VT0001609	Wheel set driving, Groove width 65 mm
1	VT0001610	Wheel set driving, Groove width 70 mm
1	VT0001611	Wheel set driving, Groove width 75 mm
1	VT0001612	Wheel set driving, Groove width 80 mm
1	VT0001613	Wheel set driving, Groove width 85 mm
1	VT0001614	Wheel set driving, Groove width 90 mm
1	VT0001615	Wheel set driving, Groove width 95 mm
1	VT0001616	Wheel set driving, Groove width 100 mm
2	VT0001628	Set of fixing screws
3	VT0001627	Set of fixing screws
4	VT0001629	Bearing set
5	VT0001060	1: Trolley wheel groove width = 55, TRAVEL WHEEL
5	VT0001061	1: Trolley wheel groove width = 60, TRAVEL WHEEL
5	VT0001062	1: Trolley wheel groove width = 65, TRAVEL WHEEL
5	VT0001063	1: Trolley wheel groove width = 70, TRAVEL WHEEL
5	VT0001064	1: Trolley wheel groove width = 75, TRAVEL WHEEL
5	VT0001065	1: Trolley wheel groove width = 80, TRAVEL WHEEL
5	VT0001066	1: Trolley wheel groove width = 85, TRAVEL WHEEL
5	VT0001067	1: Trolley wheel groove width = 90, TRAVEL WHEEL
5	VT0001068	1: Trolley wheel groove width = 95, TRAVEL WHEEL
5	VT0001069	1: Trolley wheel groove width = 100, TRAVEL WHEEL
6	VT0001072	1: Trolley wheel groove width = 55, TRAVEL WHEEL; IDLE
6	VT0001073	1: Trolley wheel groove width = 60, TRAVEL WHEEL; IDLE
6	VT0001074	1: Trolley wheel groove width = 65, TRAVEL WHEEL; IDLE

6	VT0001075	1: Trolley wheel groove width = 70, TRAVEL WHEEL; IDLE
6	VT0001076	1: Trolley wheel groove width = 75, TRAVEL WHEEL; IDLE
6	VT0001077	1: Trolley wheel groove width = 80, TRAVEL WHEEL; IDLE
6	VT0001079	1: Trolley wheel groove width = 85, TRAVEL WHEEL; IDLE
6	VT0001080	1: Trolley wheel groove width = 90, TRAVEL WHEEL; IDLE
6	VT0001081	1: Trolley wheel groove width = 95, TRAVEL WHEEL; IDLE
6	VT0001082	1: Trolley wheel groove width = 100, TRAVEL WHEEL; IDLE
6	VT0001617	Wheel set idle, Groove width 55 mm
6	VT0001618	Wheel set idle, Groove width 60 mm
6	VT0001619	Wheel set idle, Groove width 65 mm
6	VT0001620	Wheel set idle, Groove width 70 mm
6	VT0001621	Wheel set idle, Groove width 75 mm
6	VT0001622	Wheel set idle, Groove width 80 mm
6	VT0001623	Wheel set idle, Groove width 85 mm
6	VT0001624	Wheel set idle, Groove width 90 mm
6	VT0001625	Wheel set idle, Groove width 95 mm
6	VT0001626	Wheel set idle, Groove width 100 mm
7	VT0001033	Buffer, 80x68 - D2240, From H0315168, End carriage B
7	VT0001730	Buffer, 100x85-12x30 - D2241, From H0315168, End carriage C
7	VT0001723	Buffer, 100x150-12x40, End carriage E
7	VT0001731	Buffer, D2242, End carriage D
7	VT0001725	Buffer, End carriage F
7	VT0001726	Buffer, End carriage H
7	VT0001728	Buffer, End carriage I
7	VT0001724	Buffer, End carriage M
7	VT0001727	Buffer, End carriage P
7	VT0001729	Buffer, End carriage S
8	VT0002142	Set of fixing screws
-	VT0001034	Set of fixing screws
-	VT0001070	Set of fixing screws
-	VT0001071	Set of fixing screws

## 13.2) TROLLEY M & MA - CODE = EC25

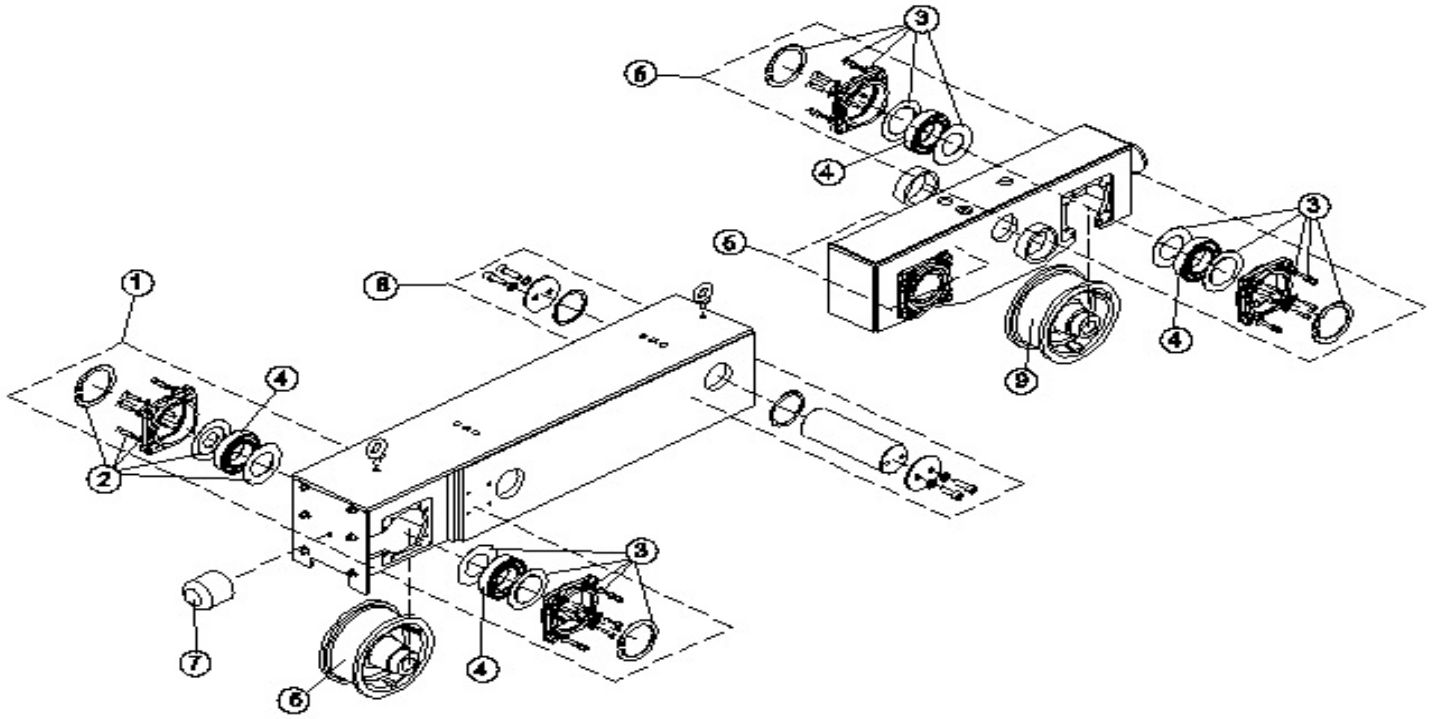


ITEM	REFERENCE	DESCRIPTION
1	VT0002250	1: Trolley wheel groove width, WHEEL SET; DRIVING
1	VT0002251	1: Trolley wheel groove width = 60, WHEEL SET; DRIVING
1	VT0002252	1: Trolley wheel groove width = 70, WHEEL SET; DRIVING
1	VT0002253	1: Trolley wheel groove width = 75, WHEEL SET; DRIVING
1	VT0002254	1: Trolley wheel groove width = 80, WHEEL SET; DRIVING
1	VT0002255	1: Trolley wheel groove width = 85, WHEEL SET; DRIVING
1	VT0002256	1: Trolley wheel groove width = 90, WHEEL SET; DRIVING
1	VT0002257	1: Trolley wheel groove width = 95, WHEEL SET; DRIVING
1	VT0002258	1: Trolley wheel groove width = 100, WHEEL SET; DRIVING
1	VT0001630	Wheel set driving, Groove width 55 mm
1	VT0001631	Wheel set driving, Groove width 60 mm
1	VT0001632	Wheel set driving, Groove width 65 mm
1	VT0001633	Wheel set driving, Groove width 70 mm
1	VT0001634	Wheel set driving, Groove width 75 mm
1	VT0001635	Wheel set driving, Groove width 80 mm
1	VT0001636	Wheel set driving, Groove width 85 mm
1	VT0001637	Wheel set driving, Groove width 90 mm
1	VT0001638	Wheel set driving, Groove width 95 mm

1	VT0001639	Wheel set driving, Groove width 100 mm
2	VT0001651	Set of fixing screws
3	VT0001650	Set of fixing screws
4	VT0001652	Bearing set
5	VT0002262	1: Wheel groove width of end carriage = 55, TRAVEL WHEEL
5	VT0002263	1: Wheel groove width of end carriage = 60, TRAVEL WHEEL
5	VT0002264	1: Wheel groove width of end carriage = 65, TRAVEL WHEEL
5	VT0002265	1: Wheel groove width of end carriage = 70, TRAVEL WHEEL
5	VT0002266	1: Wheel groove width of end carriage = 75, TRAVEL WHEEL
5	VT0002267	1: Wheel groove width of end carriage = 80, TRAVEL WHEEL
5	VT0002268	1: Wheel groove width of end carriage = 85, TRAVEL WHEEL
5	VT0002269	1: Wheel groove width of end carriage = 90, TRAVEL WHEEL
5	VT0002270	1: Wheel groove width of end carriage = 95, TRAVEL WHEEL
5	VT0002271	1: Wheel groove width of end carriage = 100, TRAVEL WHEEL
6	VT0002272	Wheel set idle
6	VT0002370	Wheel set idle
6	VT0001640	Wheel set idle, Groove width 55 mm
6	VT0001641	Wheel set idle, Groove width 60 mm
6	VT0001642	Wheel set idle, Groove width 65 mm
6	VT0001643	Wheel set idle, Groove width 70 mm
6	VT0001644	Wheel set idle, Groove width 75 mm
6	VT0001645	Wheel set idle, Groove width 80 mm
6	VT0001646	Wheel set idle, Groove width 85 mm
6	VT0001647	Wheel set idle, Groove width 90 mm
6	VT0001648	Wheel set idle, Groove width 95 mm
6	VT0001649	Wheel set idle, Groove width 100 mm
7	VT0001033	Buffer, 80x68 - D2240, From H0315168, End carriage B
7	VT0001730	Buffer, 100x85-12x30 - D2241, From H0315168, End carriage C
7	VT0001723	Buffer, 100x150-12x40, End carriage E
7	VT0001731	Buffer, D2242, End carriage D
7	VT0001725	Buffer, End carriage F
7	VT0001726	Buffer, End carriage H
7	VT0001728	Buffer, End carriage I

7	VT0001724	Buffer, End carriage M
7	VT0001727	Buffer, End carriage P
7	VT0001729	Buffer, End carriage S

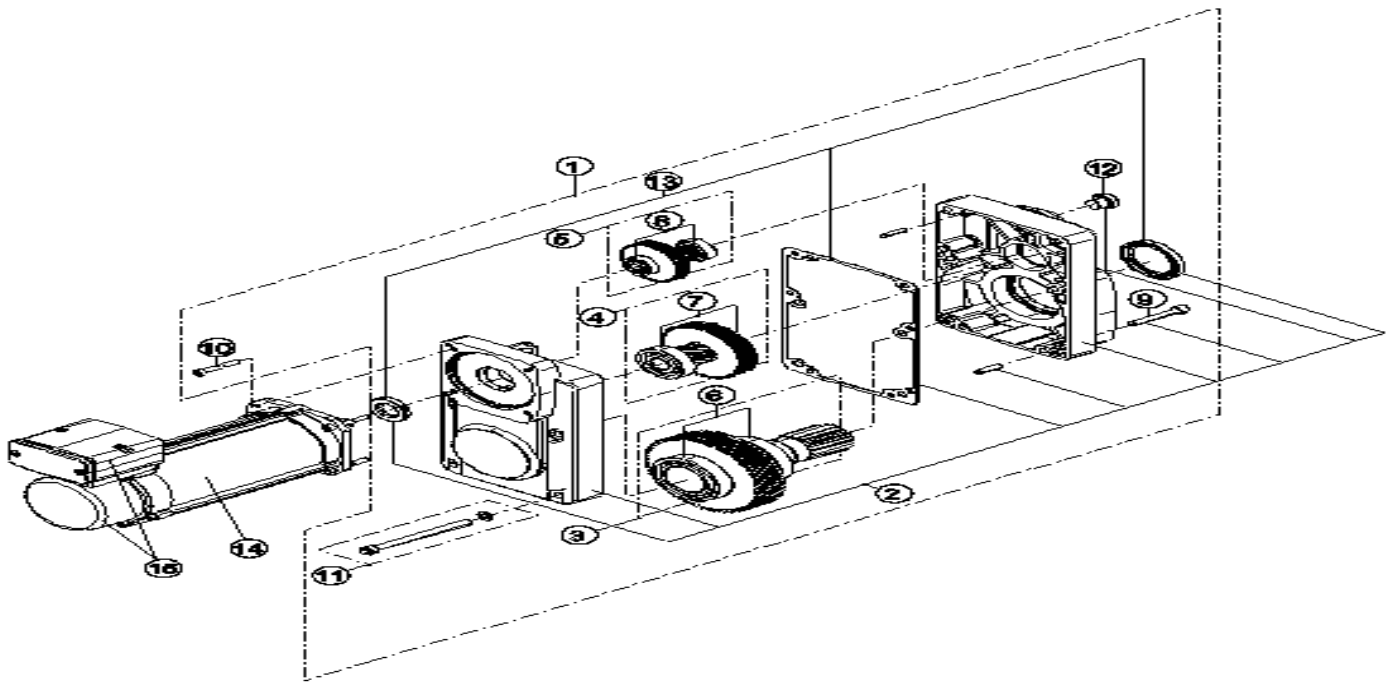
### **13.3) TROLLEY: M & MA**



ITEM	REFERENCE	DESCRIPTION
1	VT0002250	1: Trolley wheel groove width = 55, WHEEL SET; DRIVING
1	VT0002251	1: Trolley wheel groove width = 60, WHEEL SET; DRIVING
1	VT0002252	1: Trolley wheel groove width = 70, WHEEL SET; DRIVING
1	VT0002253	1: Trolley wheel groove width = 75, WHEEL SET; DRIVING
1	VT0002254	1: Trolley wheel groove width = 80, WHEEL SET; DRIVING
1	VT0002255	1: Trolley wheel groove width = 85, WHEEL SET; DRIVING
1	VT0002256	1: Trolley wheel groove width = 90, WHEEL SET; DRIVING
1	VT0002257	1: Trolley wheel groove width = 95, WHEEL SET; DRIVING
1	VT0002258	1: Trolley wheel groove width = 100, WHEEL SET; DRIVING
2	VT0002259	Fixing Set
3	VT0002260	Fixing Set
4	VT0002261	Bearing Set
5	VT0002262	1: Wheel groove width of end carriage = 55, TRAVEL WHEEL
5	VT0002263	1: Wheel groove width of end carriage = 60, TRAVEL WHEEL

5	VT0002264	1: Wheel groove width of end carriage = 65, TRAVEL WHEEL
5	VT0002265	1: Wheel groove width of end carriage = 70, TRAVEL WHEEL
5	VT0002266	1: Wheel groove width of end carriage = 75, TRAVEL WHEEL
5	VT0002267	1: Wheel groove width of end carriage = 80, TRAVEL WHEEL
5	VT0002268	1: Wheel groove width of end carriage = 85, TRAVEL WHEEL
5	VT0002269	1: Wheel groove width of end carriage = 90, TRAVEL WHEEL
5	VT0002270	1: Wheel groove width of end carriage = 95, TRAVEL WHEEL
5	VT0002271	1: Wheel groove width of end carriage = 100, TRAVEL WHEEL
6	VT0002273	1: Trolley wheel groove width = 55, WHEEL SET; IDLE
6	VT0002274	1: Trolley wheel groove width = 60, WHEEL SET; IDLE
6	VT0002275	1: Trolley wheel groove width = 65, WHEEL SET; IDLE
6	VT0002276	1: Trolley wheel groove width = 70, WHEEL SET; IDLE
6	VT0002277	1: Trolley wheel groove width = 75, WHEEL SET; IDLE
6	VT0002278	1: Trolley wheel groove width = 80, WHEEL SET; IDLE
6	VT0002279	1: Trolley wheel groove width = 85, WHEEL SET; IDLE
6	VT0002280	1: Trolley wheel groove width = 90, WHEEL SET; IDLE
6	VT0002281	1: Trolley wheel groove width = 95, WHEEL SET; IDLE
7	VT0001730	Buffer, 100x85-12x30 - D2241 , From H0315168, End carriage C
8	VT0002282	Lot
9	VT0002288	Travel Wheel
9	VT0002287	Travel Wheel
9	VT0002290	Travel Wheel
9	VT0002289	Travel Wheel
9	VT0002286	Travel Wheel
9	VT0002284	Travel Wheel
9	VT0002283	Travel Wheel
9	VT0002285	Travel Wheel
9	N0002500	Travel Wheel

## 14) TRAVELLING MACHINERY



005574\_1

### 14.1) OTHER:

ITEM	REFERENCE	DESCRIPTION
1	VT0001279	GES4BOPS2, For motor MF06LB
1	VT0001277	GES4BOPS2, For motor MF06MA/LA
1	VT0001280	GES4BOPS3, For motor MF06LB
1	VT0001278	GES4BOPS3, For motor MF06MA/LA
1	VT0001281	GES463PS2, For motor MF06MA/LA
1	VT0001283	GES463PS2, For motor MF07X
1	VT0001282	GES463PS3, For motor MF06LB
1	VT0001284	GES463PS3, For motor MF07X
1	VT0001285	GES472PS2, For motor MF06LB
1	VT0001287	GES472PS2, For motor MF07X
1	VT0001286	GES472PS3, For motor MF06LB
1	VT0001288	GES472PS3, For motor MF07X
1	VT0001276	GES490PS2, For motor MF06LB
1	VT0001275	GES490PS2, For motor MF06MA/LA
1	VT0001274	GES490PS3, For motor MF06LB
1	VT0001273	GES490PS3, For motor MF06MA/LA
2	VT0001290	Gear housing, For motor MF06LB
2	VT0001291	Gear housing, For motor MF06MA/LA



2	VT0001289	Gear housing, For motor MF07X
3	VT0001295	Output gear shaft PS2
3	VT0001293	Output gear shaft PS3
4	VT0001298	First step, For gear GES463 & GES490
4	VT0001299	First step, For gear GES472 & GES4BOP
5	VT0001303	Second step, For gear GES4BOP & GES490
5	VT0001300	Second step, For gear GES463
5	VT0001301	Second step, For gear GES472
5	VT0001302	Second step, For gear GES490 & GES490
6	VT0001304	Bearing set, 3 Step
7	VT0001305	Bearing set, 2 Step
8	VT0001306	Bearing set, 1 Step
9	VT0001307	Gear fixing screw set
10	VT0001142	Motor fixing set, MF07X
10	VT0001308	Motor fixing set, For motor MF06MA/LA/LB
11	VT0001309	Fixing screws, Gear on the end carriage
12	VT0001144	Breather
13	VT0001311	Seal set, For motor MF06LB /MF07EA
13	VT0001312	Seal set, For motor MF06MA/LA
13	VT0001310	Seal set, For motor MF07X
15	VT0000728	Junction box, MF06
15	VT0001564	Terminal box, GES/MF07X
16	VT0001563	Motor cover, F07-MF07

#### **14.2) OTHER:**

ITEM	REFERENCE	DESCRIPTION
1	VT0001325	GE556PS1, For motor MF07X
1	VT0001327	GE556PS1, For motor MF10M
1	VT0001319	GES5B5PS1, For motor MF06LB
1	VT0001321	GES5B5PS1, For motor MF07X
1	VT0001323	GES5B5PS1, For motor MF10M
1	VT0001320	GES5B5PS2, For motor MF06LB
1	VT0001322	GES5B5PS2, For motor MF07X

1	VT0001324	GES5B5PS2, For motor MF10M
1	VT0001326	GES556PS2, For motor MF07X
1	VT0001328	GES556PS2, For motor MF10M
1	VT0001313	GES572PS1, For motor MF06LB
1	VT0001315	GES572PS1, For motor MF07X
1	VT0001317	GES572PS1, For motor MF10M
1	VT0001314	GES572PS2, For motor MF06LB
1	VT0001316	GES572PS2, For motor MF07X
1	VT0001318	GES572PS2, For motor MF10M
1	VT0001329	GES590PS1, For motor MF07X
1	VT0001331	GES590PS1, For motor MF10M
1	VT0001330	GES590PS2, For motor MF07X
1	VT0001332	GES590PS2, For motor MF10M
2	VT0000928	Gear housing, For motor MF06LB
2	VT0001333	Gear housing, For motor MF07X et MF10M
3	VT0000929	Output gear shaft PS1
3	VT0000930	Output gear shaft PS2
4	VT0000931	1st step, For gear GES556 /GES572
4	VT0000932	1st step, For gear GES590 GES5B5
5	VT0001132	2nd step, For gear GES5B5
5	VT0000933	2nd step, For gear GES556
5	VT0000934	2nd step, For gear GES572
5	VT0000935	2nd step, For gear GES590
6	VT0001134	Bearing Set
7	VT0001135	Bearing Set
8	VT0001138	Bearing Set S
9	VT0001141	Screw Set
10	VT0001334	1: Trolley travel motor size direction = "F10M106", "F10M206", "F10MA200", "F10MB200", "F10MC200", "MF10M106", "MF10M206", "MF10MA200", "MF10MB200", "MF10MC200", SCREW SET
10	VT0001142	Motor fixing set, MF07X
10	VT0001308	Motor fixing set, For motor MF06MA/LA/LB
11	VT0001143	Screw Set
12	VT0001144	Breather

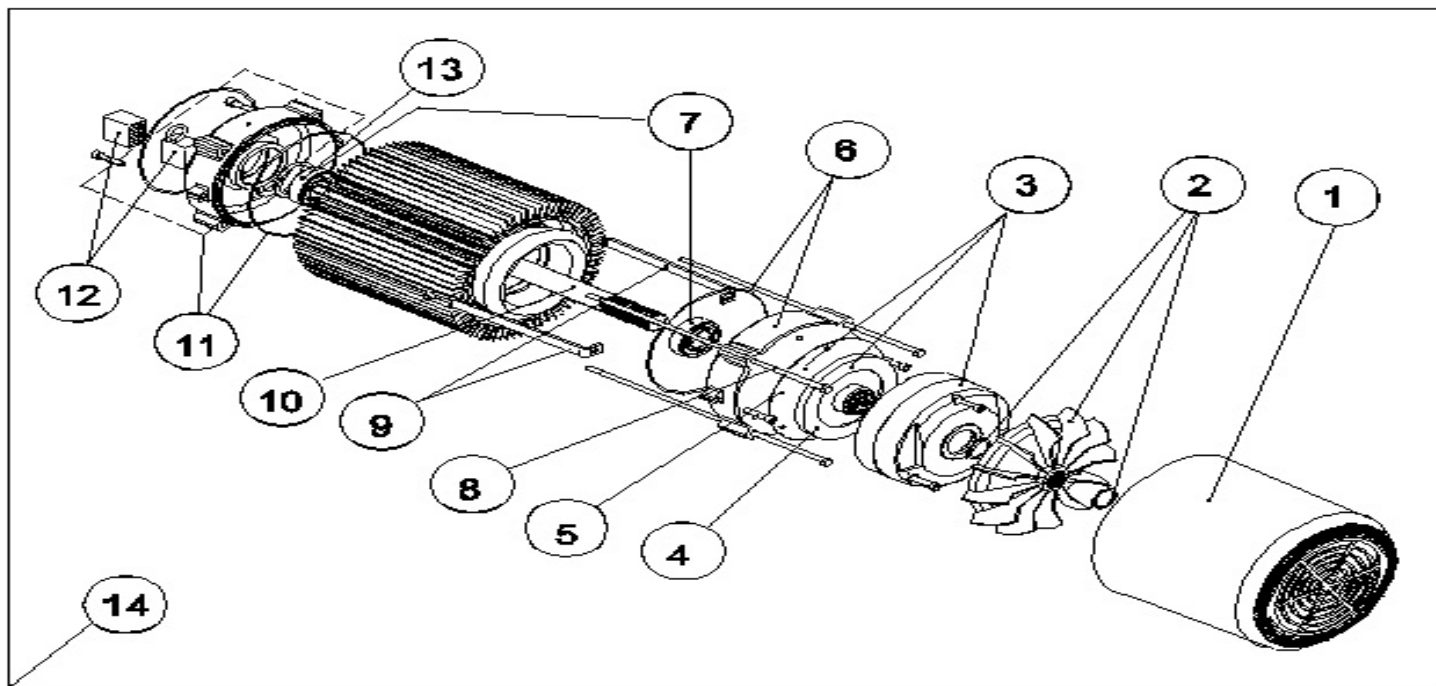
13	VT0001145	Seal Set
15	VT0001564	Terminal box, GES/MF07X
15.16	VT0000728	Junction box, MF06
16	VT0001566	COVER
16	VT0001563	Motor cover, F07-MF07

## **15) MOTOR**

<b>ITEM</b>	<b>REFERENCE</b>	<b>DESCRIPTION</b>
3	VT0002864	1: Voltage / Tension 1(main) = 200 .. 240, BRAKE
3	VT0002844	1: Voltage / Tension 1(main) = 346 .. 480, BRAKE
3	VT0002849	1: Voltage / Tension 1(main) = 500 .. 600, BRAKE
4	VT0002496	Brake disc set
5	VT0000633	Friction disc, (VT0000050)
6	VT0002303	FLANGE 1: IP66 hoist motor protection IP66 = "TRUE"
6	VT0000068	Flange
7	VT13040001	Bearing set, Hoist motor P
7	VT0000055	Bearing set, Hoist motor T
8	VT0000058	Screw set, Hoist motor P (VT0000061)
9	VT11040006	Support
10	VT0002305	SHAFT ASSEMBLY
10	VT0002304	Shaft assembly, Hoist motor O
10	VT0000064	Shaft assembly, Hoist motor P
10	VT0000067	Shaft assembly, Hoist motor T
11	VT0000051	Flange, (VT11040005 & VT11040007)
12	VT0001784	Plug, (VT14040001 & VT0000631)
13	VT0000069	Sensor, Hoist motor T
-	VT0002144	
-	VT0000061	
-	VT0000046	Brake - 200/240V, (VT0002864)
-	VT0000042	Brake - 380/480V, (VT0002844)
-	VT0000043	Brake - 500/600V, (VT0002849)
-	VT0000045	Brake - 660/690V 50Hz
-	VT14040001	Connection plug, Hoist motor lifting

-	VT11040005	Flange
-	VT0000050	Friction disc, (VT0000633)
-	VT0000631	Plug

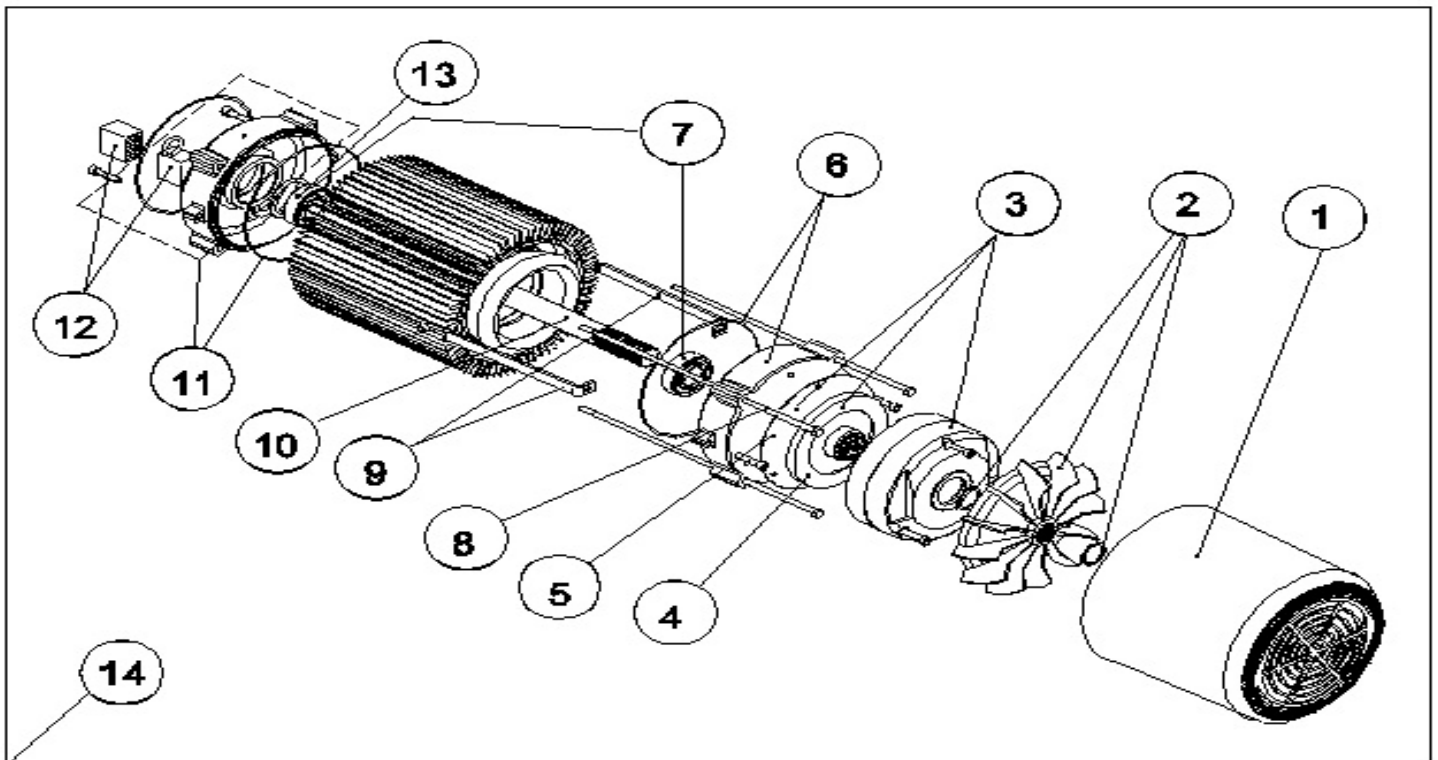
### **15.1) HOIST MOTOR SIZE 1 & 2 - TYPE P & T**



ITEM	REFERENCE	DESCRIPTION
1	VT0002298	Cover
1	VT0000629	Cover, (VT11040001 & VT0000217)
2	VT11040002	Fan
3	VT0002863	1: Voltage 1(main) = 200 .. 240, BRAKE
3	VT0002840	1: Voltage 1(main) = 346 .. 480, BRAKE
3	VT0002857	Brake
3	VT0002848	Brake - 500/600V
4	VT0002495	Brake disc
5	VT0000630	Friction disc, (VT11040004)
6	VT0000632	Flange, (VT11040007-VT11040007)
6	VT0002297	Flange, IP66 hoist motor protection: "True", "Yes"
7	VT13040001	Bearing set, Hoist motor P
7	VT0000055	Bearing set, Hoist motor T
8	VT13040361	Screw set, Hoist motor size 2
8	VT13040181	Screw set, Hoist motor T
9	VT11040006	Support

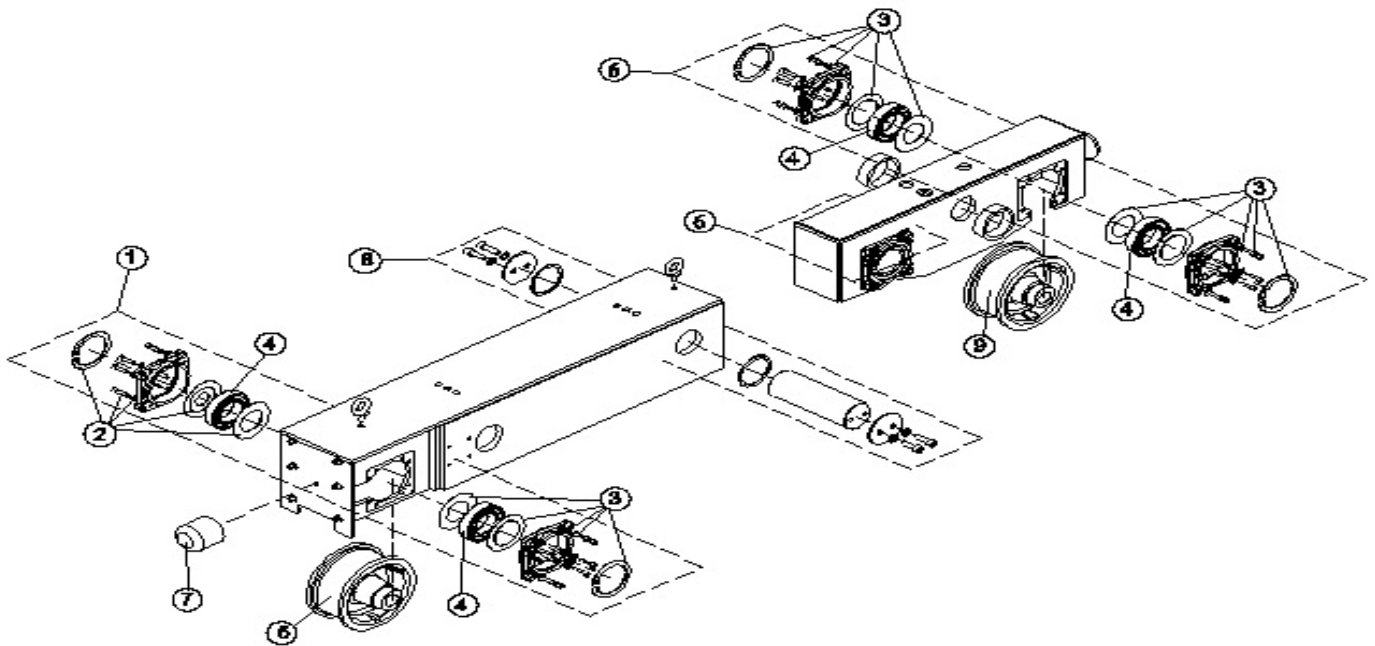
10	VT13040182	Shaft assembly, P1
10	VT13040362	Shaft assembly, P2
10	VT0002304	Shaft assembly, Hoist motor O
10	VT0000067	Shaft assembly, Hoist motor T
10	VT0002296	Shaft assembly P1-IP66 hoist motor protection Yes-Crank shaft hoist motor No
11	VT0000051	Flange, (VT11040005 & VT11040007)
12	VT0001784	Plug, (VT14040001 & VT0000631)
13	VT0000069	Sensor, Hoist motor T
-	VT0002143	
-	VT14041001	Brake - 200/240V, (VT0002863)
-	VT14041801	Brake - 346/480V, (VT0002840)
-	VT14042401	Brake - 500/600V, (VT0002848)
-	VT14042901	Brake - 660/690V - 50Hz, (VT0002857)
-	VT14040001	Connection plug, Hoist motor lifting
-	VT0000217	Cover, Lifting motor P1-P2-P3
-	VT11040007	Flange
-	VT11040005	Flange
-	VT11040004	Friction disc, lifting motor P2
-	VT0000631	Plug

### **15.2) HOIST MOTOR SIZE: 3 - TYPE O, P & T**



ITEM	REFERENCE	DESCRIPTION
1	VT0002298	Cover
1	VT0000629	Cover, (VT11040001 & VT0000217)
2	VT11040002	Fan
-	VT0000217	Cover, Lifting motor P1-P2-P3

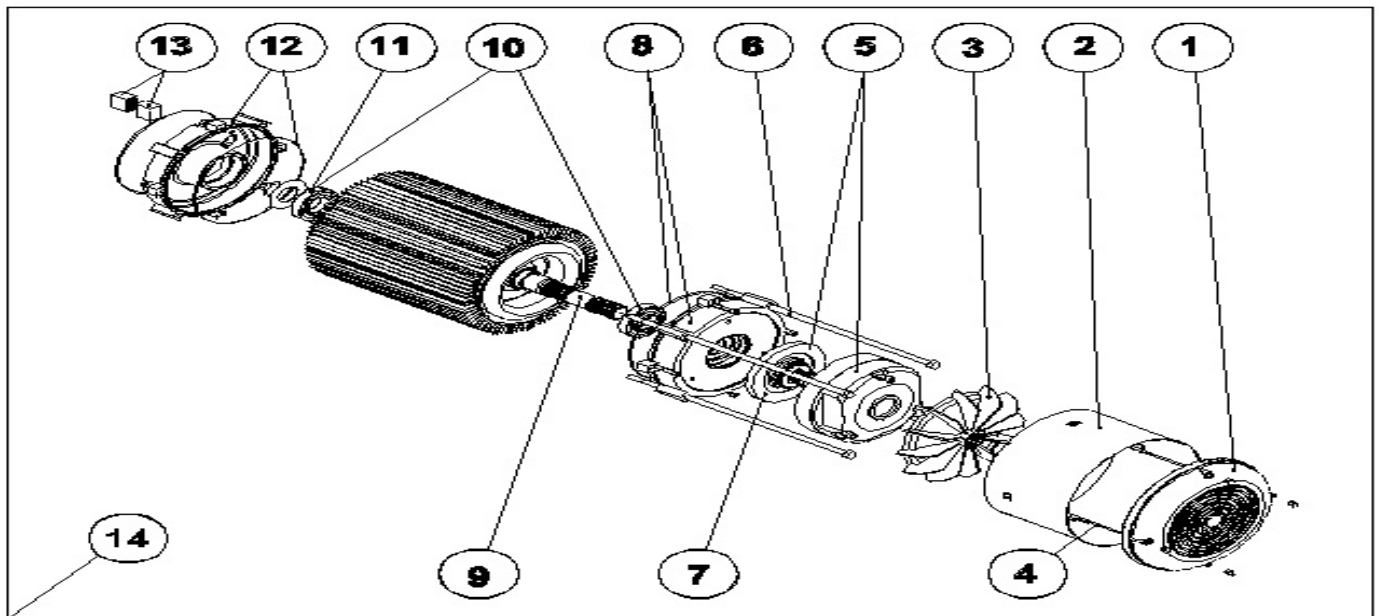
### **15.3) HOIST MOTOR SIZE 4,5 - TYPE P & T**



ITEM	REFERENCE	DESCRIPTION
1	VT0002318	Cover
1	VT0000218	Cover, (VT0000078)
2	VT0000079	Fan
3	VT0002865	1: Voltage / Tension 1(main) = 200 .. 240, BRAKE
3	VT0002850	1: Voltage / Tension 1(main) = 500 .. 800, BRAKE
3	VT0002858	1: Voltage / Tension 1(main) = 660 .. 690, BRAKE
3	VT0002843	Brake
4	VT0002497	Brake disc
5	VT0000089	Friction disc, Hoist motor type P & T (VT0000087)
6	VT0002307	Flange
6	VT0000098	Flange
7	VT0000091	Bearing set, Hoist motor type P
7	VT0000092	Bearing set, Hoist motor type T
8	VT0000093	Screw set, Hoist motor type P

9	VT11040006	Support
10	VT0002306	Shaft assembly
10	VT0002308	Shaft assembly
10	VT0000095	Shaft assembly, Hoist motor type P
10	VT0000096	Shaft assembly, Hoist motor type T
11	VT0000090	Flange
12	VT0001784	Plug, (VT14040001 & VT0000631)
13	VT0000099	Bearing set, Hoist motor type T
-	VT0000087	
-	VT0002145	
-	VT0000085	Brake - 200/240V, (VT0002865)
-	VT0000082	Brake - 380/480V, (VT0002843)
-	VT0000083	Brake - 500/600V, (VT0002850)
-	VT0000084	Brake - 660/690V 50Hz, (VT0002858)
-	VT14040001	Connection plug, Hoist motor lifting
-	VT0000631	Plug
-	VT0000094	Screw set, Hoist motor type T

#### **15.4) HOIST MOTOR SIZE 6 - TYPE= P & T**

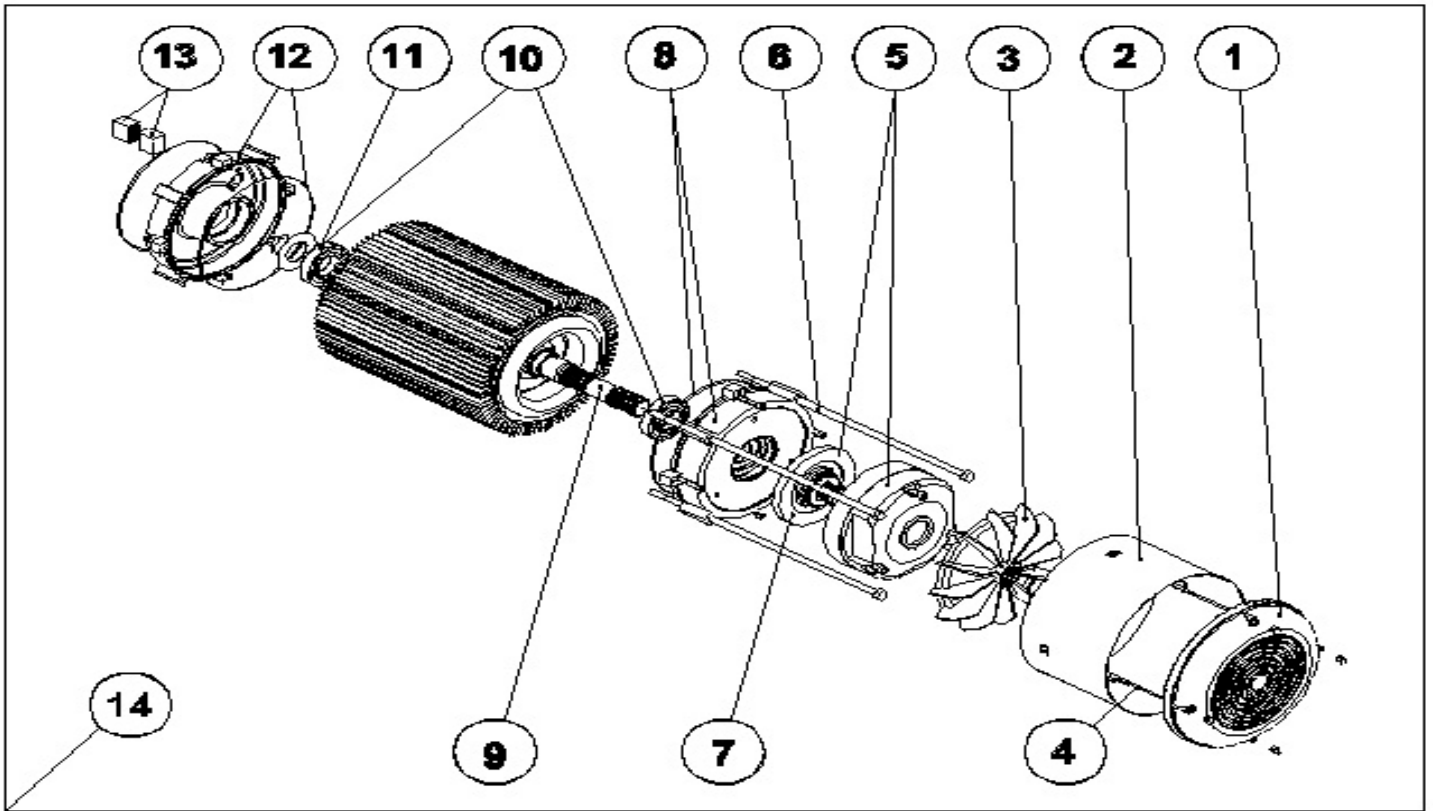


ITEM	REFERENCE	DESCRIPTION
1	VT0000219	Grate set, VT0000103
2	VT0001228	Cover
2	VT0002322	Cover, Hoist motor type T

2	VT0000220	Cover, VT0000104
3	VT0000105	Fan
4	VT0001967	Support
4	VT0000106	Support
5	VT0002866	Brake, 200V 240V (VT0000111)
5	VT0002842	Brake, 346V 480V (VT0000107)
5	VT0002852	Brake, 500V 600V (VT0000108)
5	VT0002859	Brake, 660V 690V (VT0000109)
6	VT0000112	Screws set, Hoist motor type P
7	VT0002497	Brake disc
8	VT0000114	Flange
9	VT0002320	Shaft assembly, Hoist motor type P
9	VT0000115	Shaft assembly, Hoist motor type P
9	VT0000634	Shaft assembly, Hoist motor type T, Hoisting gear type E-F
9	VT0002321	Shaft assembly, Hoist motor type T - Frame size C & D - M4
10	VT0000116	Bearing, Hoist motor type P
10	VT0000117	Bearing, Hoist motor type T
11	VT0000118	Bearing, Hoist motor type T
12	VT0000119	Flange
13	VT0000631	Plug
-	VT0002145	
-	VT0000111	Brake 200/240V, VT0002866
-	VT0000107	Brake 380/480V, VT0002842
-	VT0000108	Brake 500/600V, VT0002852
-	VT0000109	Brake 660/690V 50Hz, VT0002859
-	VT0000113	Screw set, Hoist motor type T
-	VT0000128	Screw set, Hoist motor type T



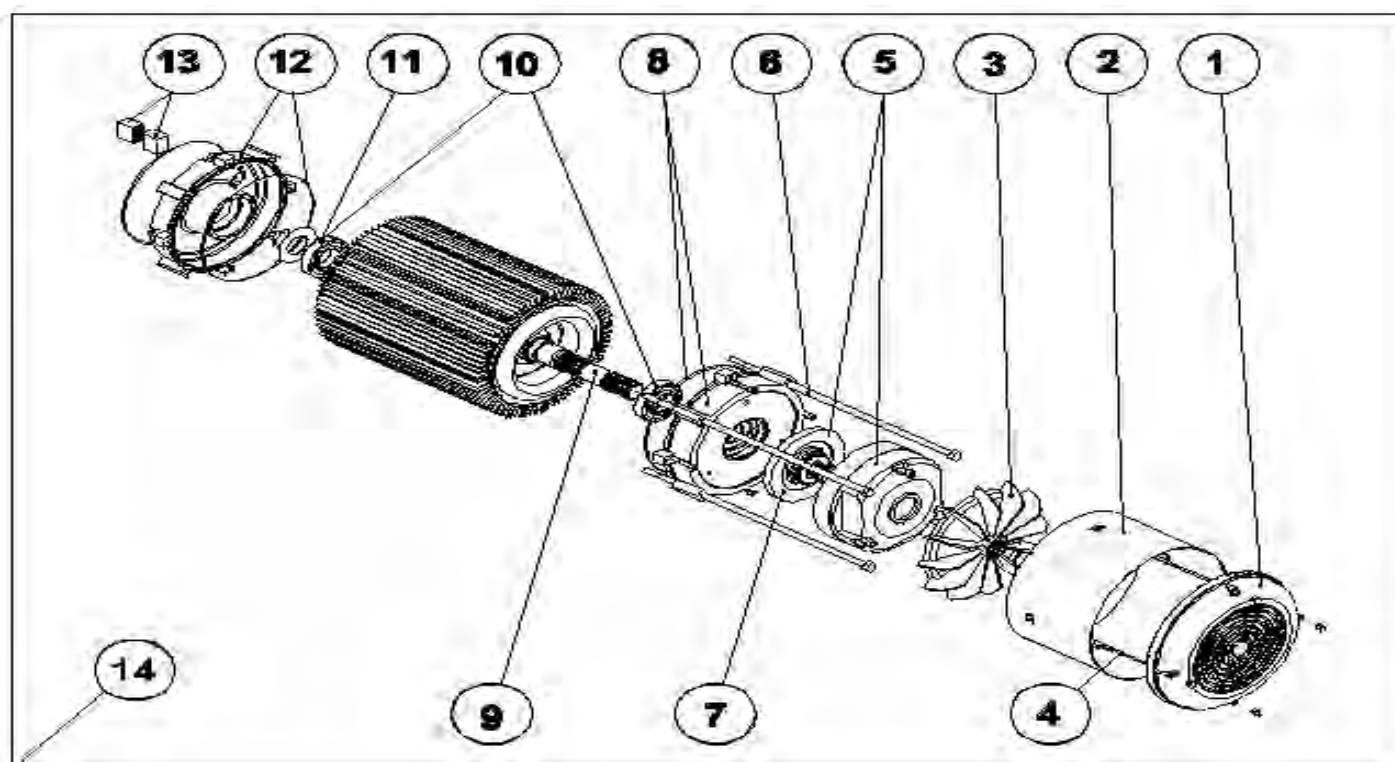
### 15.5) HOIST MOTOR SIZE 7 - TYPE P & T



ITEM	REFERENCE	DESCRIPTION
1	VT0000219	Gratte set, VT0000103
2	VT0001228	Cover
2	VT0002322	Cover, Hoist motor type T
2	VT0000220	Cover, VT0000104
3	VT0000105	Fan
4	VT0001967	Support
4	VT0000106	Support
5	VT0002867	Brake, 200V 240V - Frame size C & D - Drum D, E, F, G - (VT0001971)
5	VT0002841	Brake, 346V 480V - Frame size C & D - Drum D, E, F, G - (VT0000123)
5	VT0002854	Brake, 500V 600V - Frame size C & D - Drum D, E, F, G - (VT0000124)
5	VT0002860	Brake, 600V 690V - Frame size C & D - Drum D, E, F, G - (VT0000125)
6	VT0000127	Screw set, Hoist motor type P
6	VT0000112	Screw set, Hoist motor type P
7	VT0002498	Brake disc, Frame size C & D - Drum D, E, F, G - (VT0002146)
8	VT0000131	Flange
9	VT0000130	Shaft assembly, Hoist motor type P, Hoisting gear type E-F
9	VT0001910	Shaft assembly, Hoist motor type P, Hoisting gear type G, H, J

9	VT0002323	Shaft assembly, Hoist motor type P - Frame size C & D - M4
9	VT0002324	Shaft assembly, Hoist motor type P - Frame size D - M5
9	VT0000634	Shaft assembly, Hoist motor type T, Hoisting gear type E-F
9	VT0001909	Shaft assembly, Hoist motor type T, Hoisting gear type G-H-J
9	VT0002321	Shaft assembly, Hoist motor type T - Frame size C & D - M4
9	VT0002325	Shaft assembly, Hoist motor type T - Frame size D - M5
10	VT0000116	Bearing, Hoist motor type P
10	VT0000117	Bearing, Hoist motor type T
11	VT0000118	Bearing, Hoist motor type T
12	VT0000119	Flange
13	VT0000631	Plug
-	VT0002146	
-	VT0000126	Brake 200/240V
-	VT0000123	Brake 380/480V
-	VT0000124	Brake 500/600V
-	VT0000125	Brake 660/690 50 Hz
-	VT0000128	Screwsset, Hoist motor type T
-	VT0000113	Screw set, Hoist motor type T

### **15.6) HOIST MOTOR SIZE 8, 9 & A**

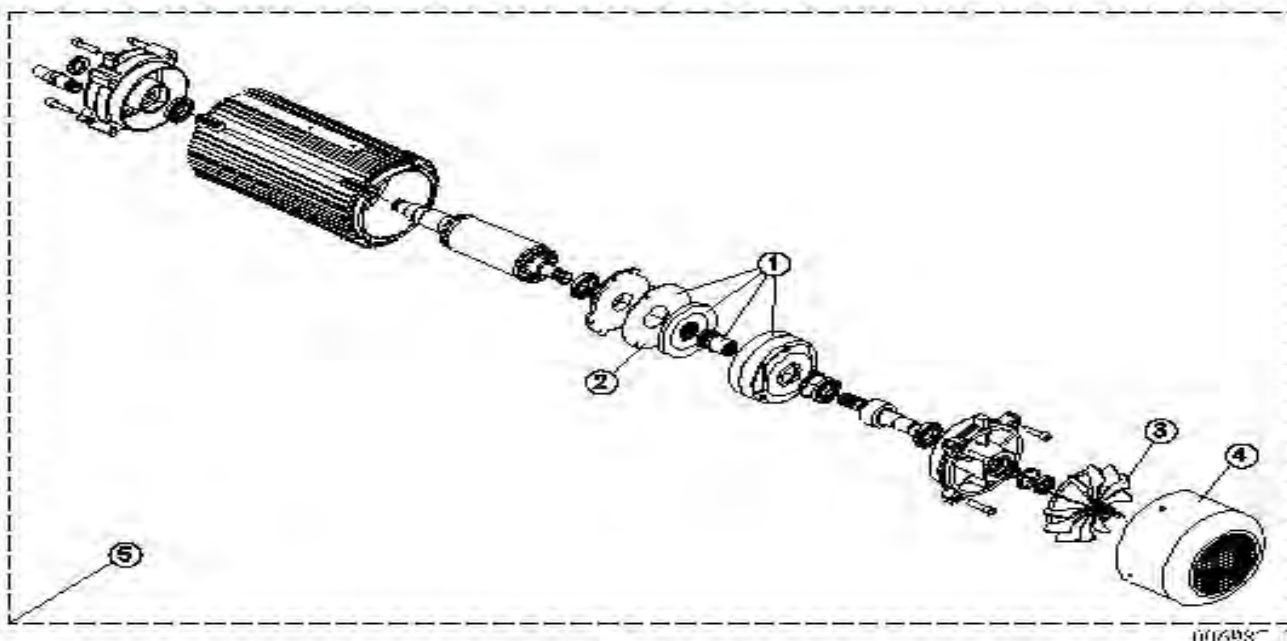


When ordering motors, please specify motor serial number.  
Lors de la commande d'un moteur veuillez indiquer le n° de série.

ITEM	REFERENCE	DESCRIPTION
1	VT0000219	Grate set, VT0000103
2	VT0001228	Cover
2	VT0002322	Cover, Hoist motor type T
2	VT0000220	Cover, VT0000104
3	VT0000105	Fan
4	VT0001967	Support
4	VT0000106	Support
5	VT0002845	1: Voltage 1(main) = 346 .. 480, BRAKE
5	VT0002853	1: Voltage 1(main) = 500 .. 600, BRAKE DISK SET
5	VT0002861	1: Voltage 1(main) = 660 .. 690, BRAKE
5	VT0002869	Brake
6	VT0000127	Screws set, Hoist motor type P
6	VT0000112	Screws set, Hoist motor type P
7	VT0002498	Brake disc, Frame size C &D - Drum D, E, F, G - (VT0002146)
8	VT0000131	Flange
9	VT0002326	Shaft assembly
9	VT0001972	Shaft assembly
9	VT0001910	Shaft assembly, Hoist motor type P, Hoisting gear type G, H, J
9	VT0001909	Shaft assembly, Hoist motor type T, Hoisting gear type G-H-J
9	VT0002325	Shaft assembly, Hoist motor type T - Frame size D - M5
10	VT0000116	Bearing, Hoist motor type P
10	VT0000117	Bearing, Hoist motor type T
11	VT0000118	Bearing, Hoist motor type T
12	VT0000119	Flange
13	VT0000631	Plug
-	VT0001971	1: Voltage 1(main) = 200-240, BRAKE
-	VT0001968	1: Voltage 1(main) = 380-480, BRAKE
-	VT0001969	1: Voltage 1(main) = 500-560, BRAKE
-	VT0001970	1: Voltage 1(main) = 660-690, BRAKE
-	VT0002146	
-	VT0000128	Screw set, Hoist motor type T
-	VT0000113	Screw set, Hoist motor type T

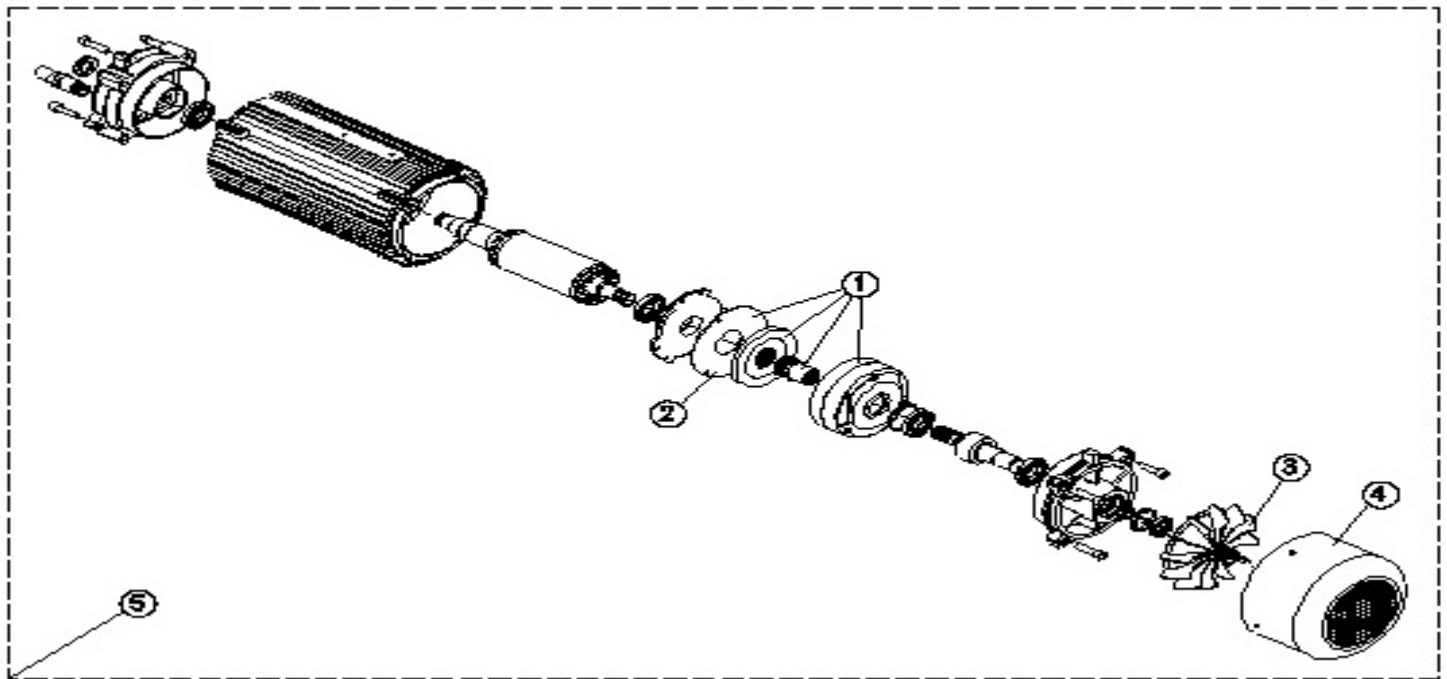
## 15.7) HOIST MOTOR SIZE 1 & 2 - TYPE E

15.7 - Hoist motor size = "1", "2" , Hoist motor type = "E"  
 15.7 - Taille moteur levage = "1", "2". Type de moteur = "E"



ITEM	REFERENCE	DESCRIPTION
1	VT0002863	1: Voltage 1(main) = 200 .. 240, BRAKE
1	VT0002840	1: Voltage 1(main) = 346 .. 480, BRAKE
1	VT0002857	BRAKE
1	VT0002848	Brake - 500/600V
2	VT0002143	
3	VT0002095	Fan
4	VT0002096	Cover
-	VT14041001	Brake - 200/240V, (VT0002863)
-	VT14041801	Brake - 346/480V, (VT0002840)
-	VT14042401	Brake - 500/600V, (VT0002848)
-	VT14042901	Brake - 660/690V - 50Hz, (VT0002857)
-	VT11040003	Brake disk

## 15.8) HOIST MOTOR SIZE 4 & 6 - TYPE E



ITEM	REFERENCE	DESCRIPTION
1	VT0002866	Brake, 200V 240V (VT0000111)
1	VT0002842	Brake, 346V 480V (VT0000107)
1	VT0002852	Brake, 500V 600V (VT0000108)
1	VT0002859	Brake, 660V 690V (VT0000109)
2	VT0002145	
3	VT0002095	Fan
4	VT0002096	Cover
-	VT0000111	Brake 200/240V, VT0002866
-	VT0000107	Brake 380/480V, VT0002842
-	VT0000108	Brake 500/600V, VT0002852
-	VT0000109	Brake 660/690V 50Hz, VT0002859
-	VT0000086	Brake disc