

MORE THAN 150 YEARS OF EXPERIENCE OF HANDLING WITH HOOKS

EUROCRANE

— AUSTRALIA P/L —



CHD[®] & CHDD[®]

Manual travel trolleys
for loads from
250 to 20,000 kg

 **VERLINDE**
LIFTING EQUIPMENT

www.verlinde.com

Réf : 11 2011 336 UGB

CHD-CHDD®



CHD®
Manual push trolley
operated by push action
on load.

Manual travel
trolleys for
loads from
250 to 20,000 kg



CHDD®
Travel trolley operated by
hand wheel and hand chain.

► Load Capacity

	250 kg	500 kg	1000 kg	2000 kg	3000 kg	5000 kg	6300 kg	7500 kg	10000 kg	12500 kg	16000 kg	20000 kg
> CHD												
> CHDD												

The VERLINDE Technologies catalogue with our range of explosion-proof products is also available.

► Technical characteristics

- > Can be used with any type of overhead hooked lifting device.
- > Operated by directly pushing the load (CHD models) or using a handwheel and chain (CHDD models).
- > Delivered in individual boxes, ready to assemble.
- > Easily adjustable to fit up to 300mm beams (over 300mm on request).
- > Trolley flange made of heavy-duty steel.
- > Side plates finished with RAL7021 powder coating, 70 µ thick.
- > Rollers machined for smooth movement.
- > Rollers compatible with all sorts of I and H beams.
- > Watertight, maintenance-free ball bearings.
- > Galvanized hand chain.
- > Fall-prevention brackets and rubber stops.
- > Loads up to 20 tons (higher capacity possible on demand).
- > Serial number inscribed on chassis.



CHD

EX-ATEX manual push trolley operated by push action on load.



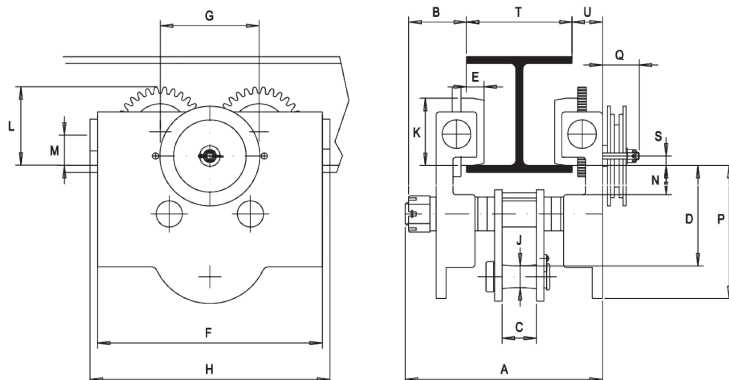
CHDD

EX-ATEX Travel trolley operated by hand wheel and hand chain.

► Options

- > Stainless steel hand chain.
- > Ex Version with ATEX markings.

Load	T		A		C	D	E	F	G	H	J	K	L	M	P	O*	U	Min curve radius (m)	Trolley weight CHD (kg)		Trolley weight CHDD (kg)	
	Range 1	Range 2	Range 1	Range 2															Range 1	Range 2	Range 1	Range 2
250 kg	50-202	-	278	-	32	60	12.5	170	80	190	15	50	62	30	99	-	19	1.0	3,5	-	-	-
500 kg	50-202	188-310	303	411	32	62	17	186	84	210	20	55	67	34	106	-	19	1.0	8	10	-	-
1000 kg	65-202	188-310	316	424	39	81	20	225	101	242	24	60	76	38	135	146	24	1.5	12	14	14	16
2000 kg	88-202	188-310	340	448	42	96	22	272	116	296	30	76	92	38	159	146	27	2.0	20	22	22	24
3000 kg	100-202	188-310	356	464	49	140	25	322	144	346	28	96	114	42	192	38	32	2.0	38	40	42	44
5000 kg	114-202	188-310	375	483	60	161	28	360	158	384	35	108	126	42	214	38	48	3.0	59	61	63	65
7500 kg	124-202	188-310	394	502	68	176	38	415	185	439	43	130	150	45	247	68	45	3.0	100	103	104	107
10000 kg	124-202	188-310	400	508	70	187	39	434	200	458	50	132	155	46	265	67	49	3.0	116	119	120	123
12500 kg	124-202	188-310	358	464	70	187	39	442	200	466	50	134	155	45	265	64	50	3.0	121	126	125	130
16000 kg	136-202	188-310	416	522	92	283	51	555	272	579	64	168	197	64	390	78	77	3.5	211	216	215	220
20000 kg	136-202	188-310	449	551	88	278	-	555	272	579	68	175	-	60	-	78	77	3.5	216	222	220	228



* This dimension is given only for travel trolley operated by hand wheel and hand chain.

