

EUROCRANE

— AUSTRALIA P/L —



VERLINDE
LIFTING EQUIPMENT

500kg

WINCHES

Range of manual and
electric winches for loads
from 150 to 10,000 kg



ME & MV

Endless screw winch and geared winch for loads from 250 to 3,000 kg



Winch type MV.

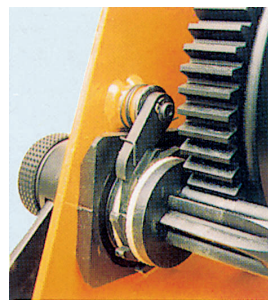
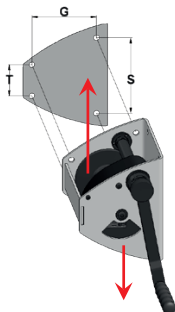
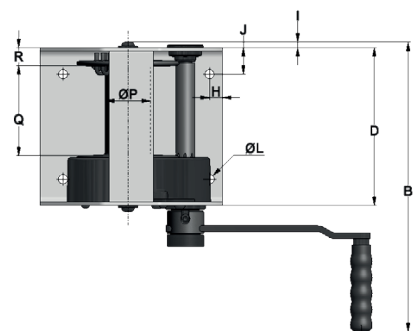
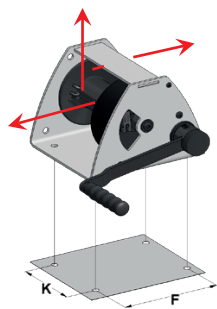
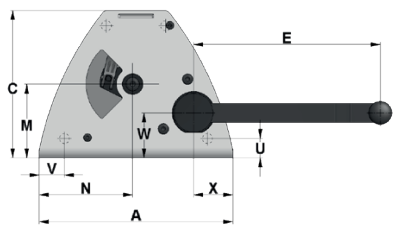


Winch type ME.

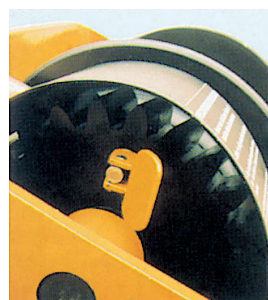
Technical characteristics

- > Encased mechanical parts.
- > Automatic brake.
- > Adjustable and dismantable crank.
- > 2 securing planes horizontal or vertical (according to model).
- > Highly rugged design, thanks to the exceptional rigidity of the frame.
- > Mechanical parts protected by cataphoresis.
- > Can be unclutched when off-load, whilst impossible to unclutch under load (except MV250).

Model	ME2	ME3	ME4	ME5	MV1	MV2	MV3	MV4	MV5	MV6
First layer lifting capacity (kg)	300	500	1,000	2,000	250	500	1,000	1,500	2,000	3,000
Total length of winding (m)	38	18	30	25	15	18	30	23	17	18,5
Maximum number of layers	6	4	4	3	4	4	4	3	2	2
Effort required on handle (daN)	12,5	19	14,5	16,5	11	14	14	14	14,5	15
Weight without cable (kg)	15	15	44	83	7,5	12	37,5	52	80	140
Max. and min. use temperature	-20°C to +40°C									

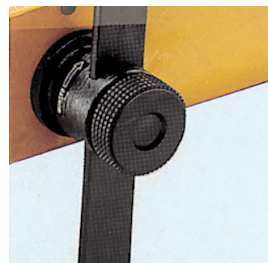
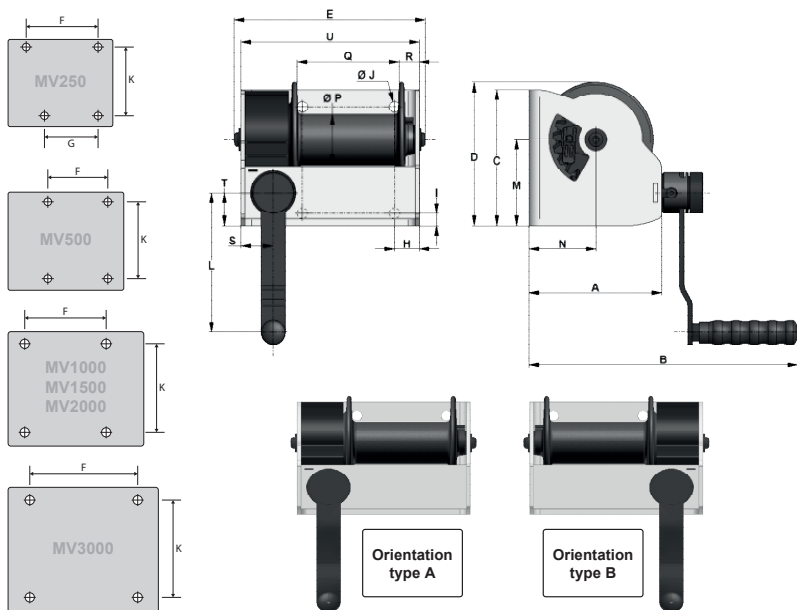


> ME type mechanism.
Gears have passed every type of breakage and endurance test. Sprockets are machined to hold grease. Ratchet brake with stainless steel spring has been proven the best system for this type of equipment.



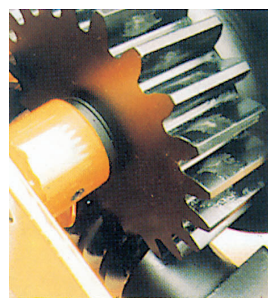
> Releasable drum.
Except on 250 kg model, MV winches feature a drum that can be disengaged with a small, easily accessible lever. A safety mechanism prevents any declutching when the winch is loaded.

Type ME (mm)																							
Capacity	A	B	C	D	E	F	G	H	I	J	K	ØL	M	N	ØP	Q	R	S	T	U	V	W	X
300 kg	249	400	190	217	240	200	145	18	8	37	144	8Ø13	95	120	62	124	25	184	76	25	33	58	51
500 kg	249	400	190	217	240	200	145	18	8	37	144	8Ø13	95	120	62	124	25	184	76	25	33	58	51
1000 kg	410	485	305	300	340	370	-	20	10	32	236	4Ø17	145	200	103	180	35	-	-	-	-	104	68
2000 kg	510	585	360	400	340	440	-	35	11	38	325	4Ø21	151	187	118	248	47	-	-	-	-	267	191



> Adjustment knob.
Conveniently captive knob adjusts crank tightness. Cannot get lost.

Type MV (mm)																					
Capacity	Orientation type	A	B	C	D	E	F	G	H	I	ØJ	K	L	M	N	ØP	Q	R	S	T	U
250 kg	A	140	307	135	142	206	130	95	25	14	4Ø11	100	240	84	73	50	100	21	40	35	190
500 kg	A	162	325	166	175	233	112	-	30	15	4Ø13	130	240	105	82	62	124	25	40	40	217
1000 kg	B	302	470	290	302	322	167	-	45	20	4Ø17	250	340	180	130	103	180	35	56	50	300
1500 kg	B	350	518	330	330	370	200	-	50	25	4Ø21	250	340	194	162	105	220	39,5	58 123	50	350
2000 kg	B	350	518	330	330	370	200	-	50	25	4Ø21	250	340	194	162	105	220	39,5	58 123	50	350
2000 kg	B	356	520	390	390	420	260	-	39	25	4Ø21	295	340	224	171	121	262	45,5	60 125	50	400
3000 kg	A	480	640	450	450	530	390	-	55	40	4Ø25	380	340	307	153	145	289	54,5	62 126	55	500



> MV type mechanism.
Wheel and worm gear have passed every type of breakage and endurance test for maximum reliability. Sprockets are machined to hold grease. Ratchet brake with stainless steel spring has been proven the best system for this type of equipment.

