

EUROCRANE

— AUSTRALIA P/L —



EQUIBLOC®

Spring Load Balancer Range **For loads from 0.7 to 55kg**

The EQUIBLOC frees the working area on assembly lines where a considerable number of tools have to be used and keeps effort to a minimum in workshops where heavy tools have to be used. EQUIBLOC balancers hold the load and keep it weightless throughout the entire cable length.

Whenever the operator releases the tool it will stay in the same position and not retract up into the balancer

www.expertcranecomponents.com.au

 **VERLINDE**
LIFTING EQUIPMENT



EQUIBLOC®

Range of spring load balancer for loads from 0.7 to 55kg

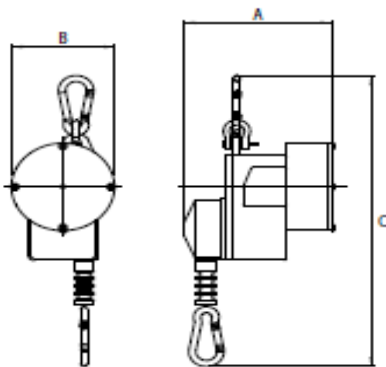
Features and benefits

- > Weightless positioning balancer, load is weightless and will not pull back when released
- > Reduces the stress level in the operators muscles because the load is weightless
- > Cable lock in case of spring failure so the wire will not fall out of the balancer
- > Brake function for fast tool change, wire will be locked and slackened
- > EQUIBLOC D4 models feature an extra safety brake mechanism (Double braking system) for applications with extremely high safety requirements

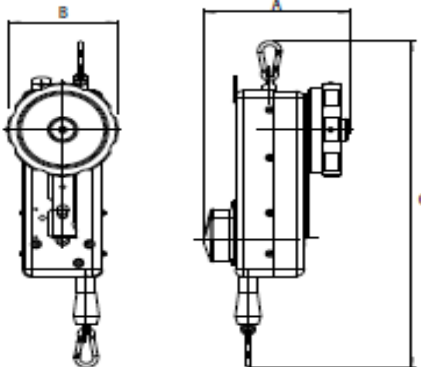


Technical characteristics

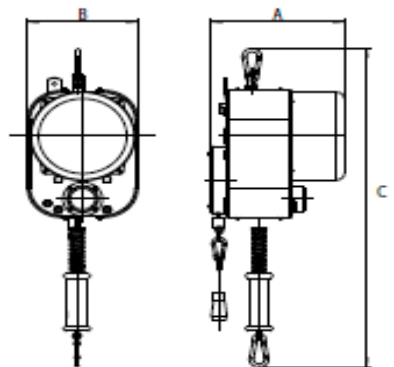
Type K32



Type K22



Type K4



Type	S.W.L. mini/maxi (kg)	Rope stroke (cm)	Weight (kg)	A (mm)	B (mm)	C (mm)
K32/25	0.7 / 1.3	170	0.5	108	72	245
K22/5S	1.7 / 3.5	240	2.29	155	116	427
K22/6S	3 / 6	240	2.29	155	116	427
K22/7S	4.7 / 7	240	2.40	155	116	427
K22/525S	5.5 / 9	240	3.30	196	116	427
K22/625S	8 / 13	240	3.40	196	116	427
K22/725S	12.5 / 17	240	3.80	196	116	427
K4/1	17 / 28	240	13.90	244	193	620
K4/2	24 / 38	240	14.50	244	193	620
K4/3	36 / 49	240	14.90	244	193	620
K4/4	43 / 55	240	15.30	244	193	620

www.expertcranecomponents.com.au

0418896288