

EUROCRANE

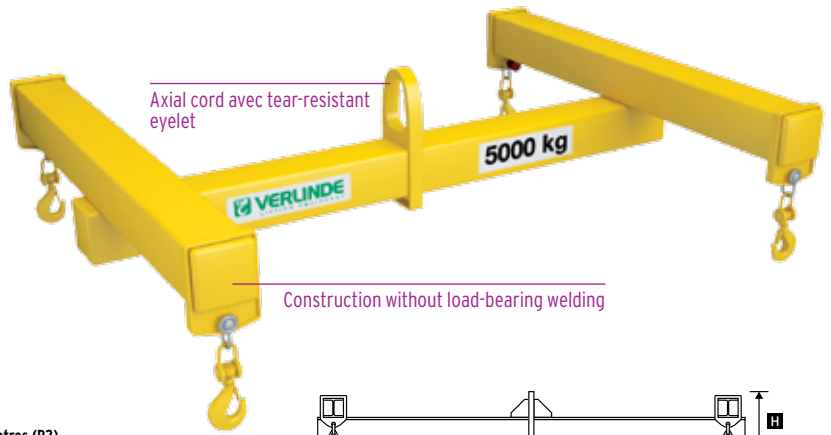
AUSTRALIA P/L



PAL[®]

Range of steel
and aluminium lifting beams
for loads from 125 to 10,000 kg

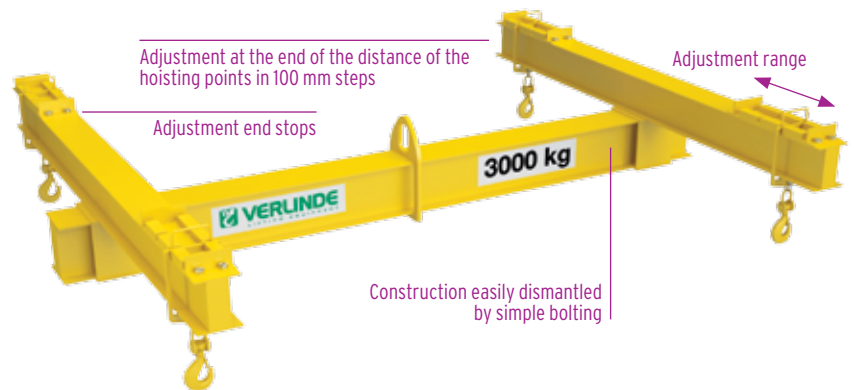
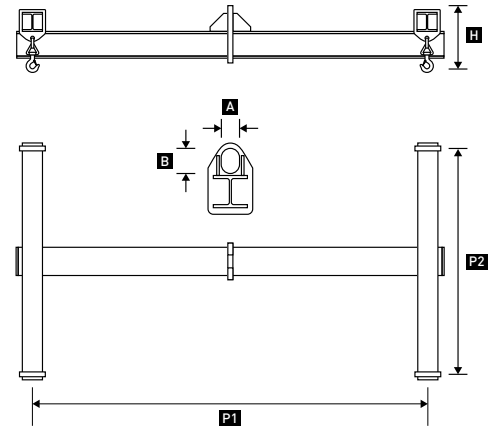
 **VERLINDE**
LIFTING EQUIPMENT



PAL P4HF

for loads from 1,000 to 10,000 kg
 "H" type axial cord lifting beam
 with **fixed** 4 lifting points

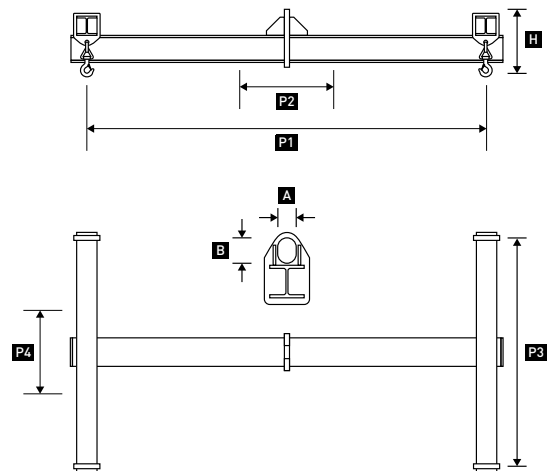
Load (T)	A x B (mm)	Span in metres (P1) / Base in metres (P2)						
		1 / 1	2 / 1	3 / 1	3 / 2	4 / 1	4 / 2	
1 T	60 x 80	Height "H" (mm)	240	240	240	240	240	240
		Weight (kg)	78	105	142	177	168	203
2 T	80 x 120	Height "H" (mm)	270	270	270	270	270	270
		Weight (kg)	85	118	161	211	216	266
3 T	100 x 180	Height "H" (mm)	350	350	350	350	350	350
		Weight (kg)	103	141	210	284	281	355
4 T	100 x 180	Height "H" (mm)	350	350	350	350	350	350
		Weight (kg)	117	167	245	311	329	395
5 T	100 x 180	Height "H" (mm)	390	390	390	390	390	390
		Weight (kg)	125	182	272	360	362	450
6 T	100 x 180	Hauteur "H" (mm)	390	390	390	390	390	390
		Weight (kg)	148	219	318	394	423	500
8 T	100 x 180	Height "H" (mm)	430	430	430	430	430	430
		Weight (kg)	163	246	358	457	501	600
10 T	100 x 180	Height "H" (mm)	430	430	430	430	430	430
		Weight (kg)	189	280	427	541	519	633



PAL P4HR

for loads from 1,000 to 10,000 kg
 "H" type Lifting beam a axial cord with
 4 **adjustable** lifting points

Load (T)	A x B (mm)	Span in metres maxi/mini (P1/P2) / Base in metres maxi/mini (P3/P4)						
		1/0,5/0,5/0,5	2/1/1/0,5	3/1/1/0,5	3/1/2/1	4/2/1/0,5	4/2/2/1	
1 T	60 x 80	Height "H" (mm)	290	290	290	290	290	290
		Weight (kg)	98	125	162	197	188	223
2 T	80 x 120	Height "H" (mm)	320	320	320	320	320	320
		Weight (kg)	105	138	181	231	236	286
3 T	100 x 180	Height "H" (mm)	400	400	400	400	400	400
		Weight (kg)	123	161	230	304	301	375
4 T	100 x 180	Height "H" (mm)	400	400	400	400	400	400
		Weight (kg)	147	197	275	341	359	425
5 T	100 x 180	Height "H" (mm)	440	440	440	440	440	440
		Weight (kg)	155	212	302	390	392	480
6 T	100 x 180	Height "H" (mm)	440	440	440	440	440	440
		Weight (kg)	178	249	348	424	453	550
8 T	100 x 180	Height "H" (mm)	480	480	480	480	480	480
		Weight (kg)	193	276	388	487	531	630
10 T	100 x 180	Height "H" (mm)	480	480	480	480	480	480
		Weight (kg)	219	310	457	531	549	673



Options available

- > Greater load capacities available on request.
- > 3 Type «Y» models with 3 lifting points, or type «X» with 4 lifting points are also available on request.
- > Lifting beams for big bag.

- > Special lifting beams.
- > Galvanised lifting beams.
- > Special lifting beams with pick-up fork for pallets.