

MORE THAN 150 YEARS OF EXPERIENCE OF HANDLING WITH HOOKS

# EUROCRANE

— AUSTRALIA P/L —



## Manual product catalog

### Manual winches and hoists

 **VERLINDE**  
LIFTING EQUIPMENT

[www.verlinde.com](http://www.verlinde.com)

Réf : 11 2011 335 UGB

# VHR<sup>®</sup>

## Sparkproof hand chain block for loads from 500 to 20,000 kg

A compact, high-performance chain block with rugged good looks, tested according to official standards.

**VHR<sup>®</sup> HPR** 

Overhung with travel trolley  
CHDD type, low-headroom handwheel and chain operation  
Sparkproof version of hand chain block and trolley



Load	A	B	Øa1	a2	H4 min	Chain size	Num. of falls	Pulling force (kg)	Net weight (kg)
500 kg	148	132	35	23	345	5 x 15	1	35	11
1,000 kg	172	151	40	27	376	6 x 18	1	25	12,5
1,500 kg	196	173	45	33	442	7,1 x 21	1	35	17,8
2,000 kg	210	175	50	35	470	8 x 24	1	35	19,5
3,000 kg	255	205	55	39	548	10 x 28	1	40	35
5,000 kg	280	189	65	45	688	9 x 27	2	36	41,3
7,500 kg	433	189	47	67	688	9 x 27	3	38	62
10,000 kg	463	189	75	57	765	9 x 27	4	38	78,5
12,500 kg	430	220	75	54	835	9 x 27	5	38,4	110
16,000 kg	718	200	95	71	900	9 x 27	6	38,7	135
20,000 kg	840	200	106	85	950	9 x 27	8	38,7	192

► Technical characteristics

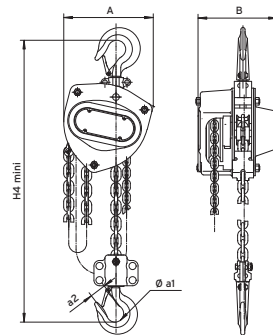
Specification identical to those for the standard version of the VHR except for the following features :

- > ATEX Marking : Ex II 2GD c IIC T4 T+135 °C.
- > Suitable for Zones 1&2 and 21 and 22 hazardous areas.
- > Overload limiter is standard equipment.
- > Stainless steel 316L hand chain.
- > Bronze coated hooks.
- > High-resistance RAL 9006 aluminum-type powder coating, 70 µ thick.
- > ISO hooks with safety latch.
- > Delivered with CE certificate, and hook and chain certificate.

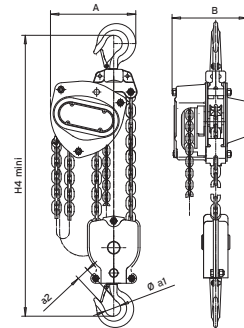
► Options

A wide range of options is available for this hand chain block :

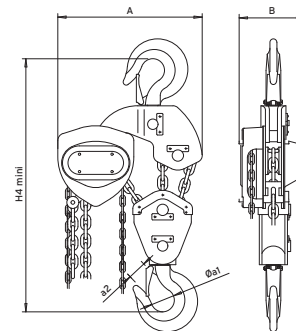
- > VHR with stainless steel load chain.
- > Chain bag.
- > VHR Ex-ATEX HPN with normal headroom.
- > VHR Ex-ATEX HPR with short headroom trolley.



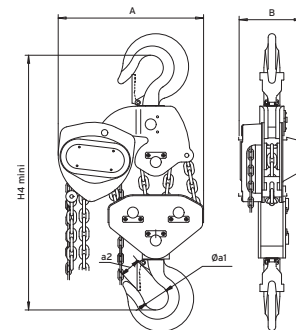
VHR 1-fall



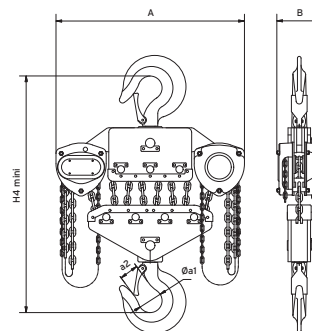
VHR 2-fall



VHR 3-fall



VHR 4-fall



VHR 5, 6 and 8-fall

The VERLINDE Technologies Catalogue with our explosion-proof range is also available

