



---

## TECHNICAL DATA

---

### CHAIN HOIST EUROCHAIN VX

en-US / A / 07 Nov 2019 /



## TABLE OF CONTENTS

<b>1</b>	<b>UPDATE HISTORY.....</b>	<b>5</b>
<b>2</b>	<b>INTRODUCTION.....</b>	<b>6</b>
<b>2.1</b>	<b>About these instructions.....</b>	<b>6</b>
2.1.1	Use of these instructions.....	6
<b>2.2</b>	<b>About this product.....</b>	<b>6</b>
2.2.1	Design overview of the electrical chain hoist.....	6
2.2.2	Identification of the product.....	7
2.2.3	Standards and directives.....	7
<b>3</b>	<b>PRODUCT DESCRIPTION.....</b>	<b>9</b>
<b>3.1</b>	<b>Technical data of the chain hoist.....</b>	<b>9</b>
3.1.1	Load range and duty classes.....	9
3.1.2	Product range.....	11
3.1.3	Product features.....	12
3.1.4	Sound pressure level.....	14
3.1.5	Chain hoist weights.....	15
3.1.6	Materials and coatings.....	15
<b>3.2</b>	<b>Functional description of the chain hoist.....</b>	<b>16</b>
<b>4</b>	<b>MAIN COMPONENTS.....</b>	<b>17</b>
<b>4.1</b>	<b>Hoisting motor of the chain hoist.....</b>	<b>17</b>
<b>4.2</b>	<b>Hoisting gear of the chain hoist.....</b>	<b>17</b>
<b>4.3</b>	<b>Brakes of the chain hoist.....</b>	<b>18</b>
4.3.1	Single brake.....	18
4.3.2	Double brake (option).....	19
4.3.3	Brake coil voltages and resistance.....	20
4.3.4	Manual brake release (option).....	21
<b>4.4</b>	<b>Slipping clutch.....</b>	<b>21</b>
<b>4.5</b>	<b>Electrics of the chain hoist.....</b>	<b>23</b>
4.5.1	Cable gland positions on the hoist.....	23
4.5.2	Wiring principle.....	23
<b>4.6</b>	<b>Controller.....</b>	<b>24</b>
4.6.1	Pendant controller.....	24
4.6.2	Radio controller.....	26
4.6.3	Hand control on hook (option).....	27
<b>4.7</b>	<b>Suspension types of the chain hoist.....</b>	<b>28</b>
4.7.1	Suspension bracket.....	28
4.7.2	Suspension eye.....	28
4.7.3	Suspension hook.....	29
4.7.4	Fixed suspension (option).....	30
<b>4.8</b>	<b>Chain drive.....</b>	<b>31</b>
4.8.1	Chain sprocket.....	31
4.8.2	Return sprocket.....	31
4.8.3	Chain - standard chain, stainless steel chain, and DAT chain.....	32
4.8.4	Chain bucket.....	34
<b>4.9</b>	<b>Hooks and hook blocks of the chain hoist.....</b>	<b>34</b>
4.9.1	Standard hook.....	34
4.9.2	Stainless steel hook.....	35
4.9.3	Safety hook (option).....	37
4.9.4	Single fall hook blocks.....	38

4.9.5	Two-fall hook blocks.....	40
<b>4.10</b>	<b>Rotating geared limit switch (GLS).....</b>	<b>42</b>
4.10.1	Rotating geared limit switch types.....	43
4.10.2	Rotating geared limit switch configurations.....	44
4.10.3	Functional description of the rotating geared limit switch.....	45
4.10.4	Rotating geared limit switch operational limits.....	47
<b>4.11</b>	<b>Extension profile.....</b>	<b>47</b>
<b>4.12</b>	<b>Chain hoist trolleys.....</b>	<b>48</b>
<b>5</b>	<b>LUBRICATION.....</b>	<b>51</b>
<b>5.1</b>	<b>Lubrication points of the chain hoist.....</b>	<b>51</b>
<b>5.2</b>	<b>Lubricants for the chain hoist.....</b>	<b>51</b>



## 2 INTRODUCTION

### 2.1 About these instructions

#### 2.1.1 Use of these instructions

This manual presents the product range, features, and functional description of an electrical chain hoist, the EUROCHAIN VX version.

This manual helps to provide the following:

- Range of use of the different hoist types, loads, and hoisting speeds
- Standards considered in the design of the product
- List of features available for the range of these hoists
- Technical details about the product

### 2.2 About this product

#### 2.2.1 Design overview of the electrical chain hoist

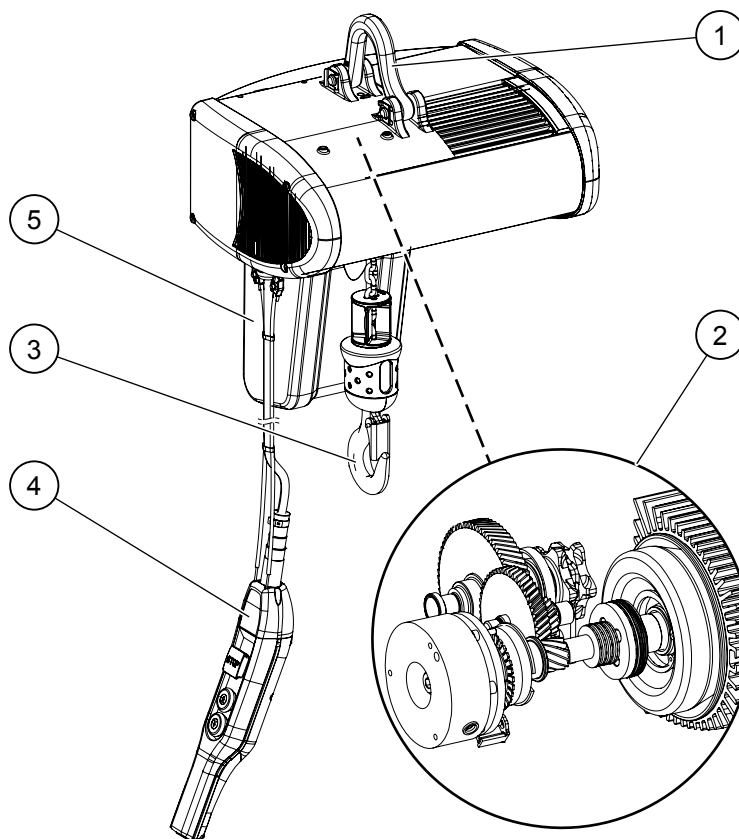


Figure 1. Main components of the electrical chain hoist

- |  |   |
|--|---|
| 1. Suspension bracket  | 3. Hook   |
| 2. Hoisting machinery (consists of hoist frame, hoisting motor, hoisting gear, and hoisting brake) | 4. Controller (pendant controller in the example) |
|  | 5. Chain bucket                                   |

## 2.2.2 Identification of the product

### Product code example for chain hoist

VX	<b>05</b> (GE09)	(empty)	<b>08</b> (SPD03)	<b>01</b> (DES27)	<b>050</b> (LOA01)	<b>5</b> (DIM01)	<b>N</b> (DES01)	<b>120</b>	<b>405</b> (ELE01)	<b>E</b> (ELE04)	<b>A</b> (ELE02)/ (EL05)	<b>080</b> (DIM02)
1-3	4, 5	6	7, 8	9, 10	11-13	14	15	16-18	19-21	22	23	24-26

Pos.	Code	Feature code	Feature	Available properties								
1-3			Short product name	EUROCHAIN VX Verlinde								
4, 5	<b>05</b>	(GE09)	Frame size						<u>GE09 value</u>			
				02 VX02				02				
				05 VX05				05				
				10 VX10				10				
6				Empty space								
7, 8	<b>08</b>	(SPD03)	Hoisting speed (high)				<u>SPD03 value</u>				<u>SPD03 value</u>	
				04 4 m/min			4	12 12 m/min		12		
				06 6 m/min			6	16 16		16		
				08 8 m/min			8	24 24 m/min		24		
9, 10	<b>01</b>	(DES27)	Reeving system						<u>DES27 value</u>			
				01 1 x 1 falls, normal reeving					01			
				02 1 x 2 falls, normal reeving					02			
11-13	<b>050</b>	(LOA01)	Load				<u>LOA01 value</u>				<u>LOA01 value</u>	
				006 60 kg			60	125 1,250 kg		1250		
				012 125 kg			125	160 1,600 kg		1600		
				025 250 kg			250	200 2,000 kg		2000		
				032 320 kg			320	250 2,500 kg		2500		
				050 500 kg			500	320 3,200 kg		3200		
				080 800 kg			800	400 4,000 kg		4000		
				100 1,000 kg			1000	500 5,000 kg		5000		
14	<b>5</b>	(DIM01)	Hoist duty group						<u>DIM01 value</u>			
				4 ISO M4					M4			
				5 ISO M5					M5			
				6 ISO M6					M6			
				7 ISO M7					M7			
15	<b>N</b>	(DES01)	Trolley type						<u>DES01 value</u>			
				N Normal headroom trolley					N			
				L Low headroom trolley					L			
				F Fixed hoist					F			
				Q Hand chain trolley					Q			
				Y Push trolley					Y			
16-18	<b>120</b>		Beam width rating	Beam width in mm								
19-21	<b>405</b>	(ELE01)	Main voltage (voltage 1)						<u>ELE01 value</u>			
				235 230 V					230			
				405 400 V					400			
22	<b>E</b>	(ELE04)	Electric norm						<u>ELE04 value</u>			
				E IEC					IEC			
				C CSA					CSA			
23	<b>A</b>	(ELE02)/ (EL05)	Control voltage (voltage 2) (ELE02) / Electric provision (EL05)				<u>ELE02 value</u>				<u>EL05 value</u>	
				A 48 V AC			48	D ACF		ACF		
				B 115 V AC			115	CRANE		CRANE		
				C 230 V AC			230	SOLO		SOLO		
24-26	<b>080</b>	(DIM02)	Height of lift				<u>DIM02 value</u>				<u>DIM02 value</u>	
				060 6 m			6	160 16 m		16		
				080 8 m			8	300 30 m		30		
				120 12 m			12	500 50 m		50		
				150 15 m			15					

## 2.2.3 Standards and directives

### Certifications, standards and other technical documents

The product fulfills the requirements of the following standards: Machine directive EC, ASME HST-1, ASME B30.16, and EN14492/2.

### This product

This document and the information contained herein, is the exclusive property of Verlinde S.A.S and represents a non-public, confidential and proprietary trade secret that may not be reproduced, disclosed to third parties, altered or otherwise employed in any manner whatsoever without the express written consent of Verlinde S.A.S. Copyright 2019 © Verlinde S.A.S. All rights reserved.

- is in conformity with the relevant provisions of the Machinery Directive 2006/42/EC and EMC Directive 2004/108/EC
- has ASME duty rating up to H4 (ISO M4 – M6), depending on hoist type and hoisting speed <sup>1)</sup>  
For information about ASME Hoist Duty Service Classification, see ASME publication catalog ASME HST-1M and ASME B30.16 (latest edition) for electric chain hoists
- is external sound level tested
- is RoHS compliant

<sup>1)</sup> For 60 Hz motors.



### 3 PRODUCT DESCRIPTION

#### 3.1 Technical data of the chain hoist

##### 3.1.1 Load range and duty classes

###### Hoist classifications

The mechanism group – M4, M5, M6 or M7 – of an electric chain hoist depends on the operating time per working day and on the class of load spectrum.

The hoist operating time (Ot) can be calculated by using the following formula:

$$O_t = \frac{2 \times \text{HOL(m)} \times \text{No. of cycles} \left(\frac{1}{h}\right) \times \text{working time} \left(\frac{h}{\text{day}}\right)}{60 \left(\frac{\text{min}}{h}\right) \times \text{lifting speed} \left(\frac{m}{\text{min}}\right) 60}$$

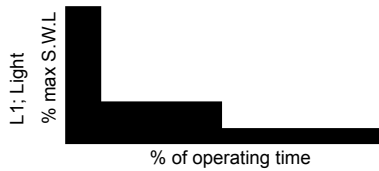
Figure 2. Hoist operating time (Ot) calculation

The actual load spectrum factor can be calculated using the following schema:

Load %	Lifting time %		Factor k <sup>3</sup>	=	Load spectrum factor
100%	<input type="text"/>	*	1	=	<input type="text"/>
	+				
80%	<input type="text"/>	*	0.51	=	<input type="text"/>
	+				
60%	<input type="text"/>	*	0.22	=	<input type="text"/>
	+				
40%	<input type="text"/>	*	0.06	=	<input type="text"/>
	+				
20%	<input type="text"/>	*	0.01	=	<input type="text"/>
	+				
0 %	<input type="text"/>	*	0	=	<input type="text"/>
	=				
Sum:	100%			Sum :	<input type="text"/>
				Divide by 100:	/100 =
				Load spectrum factor, km:	<input type="text"/>

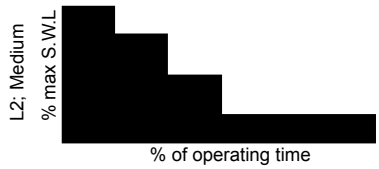
Class of load spectrum	Load spectrum $k_m$
L1	$k_m \leq 0.125$
L2	$0.125 < k_m \leq 0.250$
L3	$0.250 < k_m \leq 0.500$
L4	$0.500 < k_m \leq 1$

**Load spectrum classes**



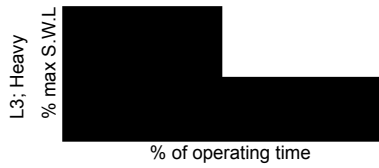
**L1 Light**

Mainly operated at very low loads and in exceptional cases at maximum loads.



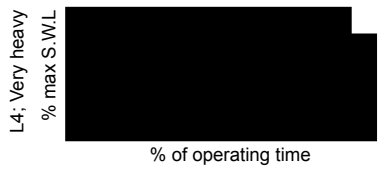
**L2 Medium**

Operated continually at low loads and frequently at maximum loads.



**L3 Heavy**

Operated continually at medium loads and frequently at maximum loads.



**L4 Very heavy**

Operated regularly at maximum and at almost maximum loads.

Load spectrum		Average operating time ( $O_t$ ) per working day [hrs]			
L1	Light	$1 < O_t \leq 2$	$2 < O_t \leq 4$	$4 < O_t \leq 8$	$8 < O_t \leq 16$
L2	Medium	$0.5 < O_t \leq 1$	$1 < O_t \leq 2$	$2 < O_t \leq 4$	$4 < O_t \leq 8$
L3	Heavy	$0.25 < O_t \leq 0.5$	$0.5 < O_t \leq 1$	$1 < O_t \leq 2$	$2 < O_t \leq 4$
L4	Very heavy	$0.12 < O_t \leq 0.25$	$0.25 < O_t \leq 0.5$	$0.5 < O_t \leq 1$	$1 < O_t \leq 2$
FEM/ISO rating		<b>1Bm / M3</b>	<b>1Am / M4</b>	<b>2m / M5</b>	<b>3m / M6</b>

The following table shows the theoretical service lifetime for ISO ratings M3, M4, M5, and M6.

Load spectrum		Theoretical service life [hrs]			
L1	Light	3150	6300	12500	25000
L2	Medium	1600	3200	6300	12500
L3	Heavy	800	1600	3200	6300
L4	Very heavy	400	800	1600	3200
FEM/ISO rating		<b>1Bm / M3</b>	<b>1Am / M4</b>	<b>2m / M5</b>	<b>3m / M6</b>

## 3.1.2 Product range

Load [kg]	Frame size	Falls	Duty group ISO	Chain size	Motor type	Power HS [kW]	Speed [m/min.] HS/LS		Max. amb. temp [°C] 1), 2)		ED% 3)	St/h
63	VX02	1	M6	4.1 x 12.1	MT06MB104	0.36	8	2	40	1)	60	300
	VX02	1	M6	4.1 x 12.1	MT06MB104	0.36	12	3	40	1)	60	300
	VX02	1	M6	4.1 x 12.1	MT06MB104	0.36	16	4	40	1)	60	300
	VX02	1	M6	4.1 x 12.1	MT06MB104	0.36	24	6	40	1)	60	300
125	VX02	1	M6	4.1 x 12.1	MT06MB104	0.36	8	2	40	1)	60	300
	VX02	1	M6	4.1 x 12.1	MT06MB104	0.36	12	3	40	1)	60	300
	VX02	1	M5	4.1 x 12.1	MT06MB104	0.36	16	4	50	1)	60	300
160	VX02	1	M6	4.1 x 12.1	MT06MB104	0.36	8	2	40	1)	60	300
	VX02	1	M6	4.1 x 12.1	MT06MB104	0.36	12	3	40	1)	60	300
	VX05	1	M5	5.1 x 15.1	MT08MB104	0.72	16	4	40	1)	60	300
250	VX02	1	M5	4.1 x 12.1	MT06MB104	0.36	8	2	50	1)	60	300
	VX05	1	M4	5.1 x 15.1	MT08MB104	0.72	12	3	40	1)	60	300
	VX05	1	M6	5.1 x 15.1	MT08MB104	0.72	4	1	40	1)	60	300
	VX05	1	M6	5.1 x 15.1	MT08MB104	0.72	8	2	40	1)	60	300
	VX05	1	M5	5.1 x 15.1	MT08MB104	0.72	16	4	50	1)	60	300
320	VX05	1	M5	5.1 x 15.1	MT08MB104	0.72	8	2	40	1)	60	300
500	VX02	2	M5	4.1 x 12.1	MT06MB104	0.36	4	1	40	1)	60	300
	VX05	1	M5	5.1 x 15.1	MT08MB104	0.72	4	1	50	1)	60	300
	VX05	1	M5	5.1 x 15.1	MT08MB104	0.72	8	2	50	1)	60	300
	VX10	1	M6	7.2 x 21.1	MT10MA104	1.80	4	1	40	1)	60	300
	VX10	1	M6	7.2 x 21.1	MT10MA104	1.80	8	2	40	1)	60	300
	VX10	1	M5	7.2 x 21.1	MT10MA104	1.80	16	4	50	1)	60	300
630	VX10	2	M5	5.1 x 15.1	MT08MB104	0.72	4	1	40	1)	60	300
	VX10	1	M4	7.2 x 21.1	MT10MA104	1.80	16	4	40	1)	60	300
1000	VX10	2	M5	5.1 x 15.1	MT08MB104	0.72	4	1	50	1)	60	300
	VX10	1	M5	7.2 x 21.1	MT10MA104	1.80	4	1	50	1)	60	300
	VX10	1	M5	7.2 x 21.1	MT10MA104	1.80	8	2	50	1)	60	300
1250	VX10	1	M4	7.2 x 21.1	MT10MA104	1.80	4	1	40	1)	60	300
	VX10	1	M4	7.2 x 21.1	MT10MA104	1.80	8	2	40	1)	60	300
	VX10	2	M5	7.2 x 21.1	MT10MA104	1.80	4	1	40	1)	60	300
1600	VX10	2	M5	7.2 x 21.1	MT10MA104	1.80	4	1	50	1)	60	300
2000	VX10	2	M5	7.2 x 21.1	MT10MA104	1.80	4	1	50	1)	60	300
2500	VX10	2	M4	7.2 x 21.1	MT10MA104	1.80	4	1	40	1)	60	300

### 3.1.3 Product features

#### Standard features

Mechanics	
No	Option
1	Mechanical overload device (slipping clutch)
2	Disc brake that is located on a separate load path after the motor and the slipping clutch. The brake is linked directly to the load, and holds the load even if the motor or the slipping clutch fails.
3	2-step (frame sizes VX02-VX05) or 3-step (frame size VX10) helical gear
4	Sprocket on output shaft in cantilever position
5	Hoist body with epoxy powder paint of 70 µm thickness, C2-M according to EN12944-2 and EN12944-5
6	Lower hook according to DIN classification
7	Zinc plated and quenched tempered chain (class T)
8	Selection of trolleys: <ul style="list-style-type: none"> <li>• Trolley types: normal headroom trolley, low headroom trolley <sup>1)</sup>, swiveling trolley <sup>1)</sup>, and trolley for LCS (push trolley inside hollow profile)</li> <li>• Trolley drive types: motorized <sup>1)</sup>, manual / push, and hand-gearred</li> </ul> Inclusive: <ul style="list-style-type: none"> <li>• Rubber buffers on trolleys</li> <li>• Integrated wheel catch and trolley retaining device</li> </ul>
<sup>1)</sup> Not available for the 1-phase chain hoist configuration.	

Electrics	
No	Option
1	Dual speed motors <sup>1)</sup> with 4:1 ratio for frame sizes VX02-VX10
2	Motor thermal protection with bi-metal switch
3	Motors with TEFC classification and insulation class H
4	All components connected by plugs
5	Low voltage control <sup>2)</sup>
6	Emergency stop with main contactor
7	Separate brake rectifier that is connected to the contactor (frame sizes VX02-VX10)
8	Frequency converter controlled trolley traveling <sup>1)</sup> with electronic potentiometer (EP) or multi-step mode (MS) – trolley movement with frequency converter or contactors
9	Mechanical upper and lower limit switches
10	IP55 protection
11	Operation temperature with rated load and speed: -20°C to +40°C (+50°C) <sup>3)</sup>

Electrics	
No	Option
	1) Not available for the 1-phase chain hoist configuration.
	2) Not available for the 1-phase 60 Hz chain hoist configuration.
	3) The operation temperature is +50°C for all hoists with the duty class M5, and for hoists with the duty class M6, if they are used in the duty class M5. If the hoist is equipped with a frequency converter driven trolley <sup>1)</sup> , the ambient temperature range is -10°C to +40°C for the whole system.

### Optional features

Mechanics		
No	Option	Description
1	Secondary brake <sup>1)</sup>	The hoist has two brakes. The one closer to the hoist body acts as the operational brake, if the main brake fails.
2	2- or 4-step rotating geared limit switch (GLS) <sup>1)</sup>	The limit switch is available for solutions that need 2 or 4 adjustable stops.
3	Self-locking hook	A hook which cannot be opened, if there is a load in the hook
4	Stainless steel hook block	The material of the stainless steel hook block is AISI316.
5	Stainless steel chain	The stainless steel available as an option instead of the standard electro-galvanized chain. The material of the stainless steel chain is AISI316.
6	DAT chain	The DAT chain has a more robust outer surface due to the case hardening treatment. The DAT chain has a much higher lifetime than the standard chain in case of insufficient lubrication.
7	Manual brake release	The brake can be released manually and the load lowered to the ground level. The brake is released using the specially designed manual brake release lever.
8	Hand control on hook <sup>1)</sup>	In the hand control on hook solution, the controls for lowering and lifting the load are implemented onto the load hook.
9	IP66	A higher protection class that is available as an option
10	Bracket suspension	The standard bracket suspension can be replaced alternatively by the hook suspension type.
11	Rain cover	The rain cover for hoist helps to avoid direct contact of the hoist with rain.

Mechanics		
No	Option	Description
12	Food safety lubricant	Lubricant for lifting chain or gear that is NSF H1 listed
1) Not available for the 1-phase chain hoist configuration.		

Electrics		
No	Option	Description
1	4-button pendant controller 1)	A pendant controller for applications that need two motions
2	6-button pendant controller 1)	A pendant controller for applications that need three motions
3	Key switch on the E/S button on pendant controller	A 2-button pendant controller that is equipped with a key switch on the emergency stop button
4	Magnet on pendant controller	The pendant controller can be equipped with a magnet that is located on the back of the pendant controller.
5	Optional pendant controller	The pendant controller can be replaced with an older version (Schneider/XAC type).
6	ACF card 1)	The ACF card uses the main voltage to control the brake, and it has a low voltage control. The hoist does not have any limit switches. If the switches are needed, they need to be adapted to the available controls on site.
7	External power plug 1)	A special plug for the power feeding
8	Flat cable gland	Flat cable gland instead of round cable
9	Time meter / hour counter 1)	A device which counts the lifting time
10	Hard wired controls 1)	The connections of the electrical parts are created by using wires instead of a printed circuit board.
11	Radio remote control 1)	The control of the hoist(s) is done by using a remote control device.
12	Non-supply of pendant controller and pendant controller cable	The hoist is delivered without a pendant controller and pendant controller cable.
1) Not available for the 1-phase chain hoist configuration.		

### 3.1.4 Sound pressure level

For the size VX02–VX10 electrical chain hoists, the maximum noise level (of the chain hoist) does not exceed 70 dB at 1 m height.

### 3.1.5 Chain hoist weights

Frame size	Falls	Hoist weight [kg] <sup>1)</sup>	
		Without chain <sup>2), 3)</sup>	Chain [kg/m]
VX02	1/1	23	0.38
VX02	2/1	23	0.38
VX05	1/1	32	0.62
VX05	2/1	27	0.62
VX10	1/1	58	1.20
VX10	2/1	53	1.20

<sup>1)</sup> The weight values are valid for the standard configuration of the chain hoist. Optional features (such as GLS, frequency converter, or double brake) are not included here.

<sup>2)</sup> For the chain hoist frame sizes 02–10, the 1-fall hoist weight includes the counterweight.

<sup>3)</sup> The weights are calculated for the lifting height (HOL) of 3 m.

### 3.1.6 Materials and coatings

Materials			
Part	Fabrication	Material type	Norm
Frame	Pressure die cast aluminum alloy	GD-AISI9CU3	EN AC – AISi9Cu3
Bracket suspension hook	Forged steel	34CrNiMo6 34 CrMo4	EN10250-3 EN 10083
Covers	Pressure die cast aluminum alloy	GD-AISI9CU3	EN AC – AISi9Cu3
Profiles	Extruded aluminum alloy	AlMg0.7Si	EN AW - 6063
Gear wheels	Alloy steel	20NiCrMo2-2/16MNCr5	EN 10060
Chain bucket	High-density polyethylene or polypropylene	PEHD BLACK/PP-C	
Hooks	Forged steel	34CrMo4	EN 10083
Hook blocks	Pressure die cast aluminum	GD-AISI9CU3	EN AC – AISi9Cu3
Chains	Bent and welded alloy steel	Special steel	EN 818-7
Rubber parts	Molded neoprene	Santoprene/Geolast	
Wheels	Forged steel, cast iron	C40 and GJS-700-2	EN 10060

Coatings	
Component	Coating
Aluminum alloy components	Epoxy polyester powder painting (60–80 µm)
Steel components	Zinc phosphating
Chain	Galvanized with additional surface treatment

Color codes	
Component	Color code
Body	RAL 7021
Frame cover	DZ2369
Hook	RAL 1021
Upper bracket	RAL 9005

### 3.2 Functional description of the chain hoist

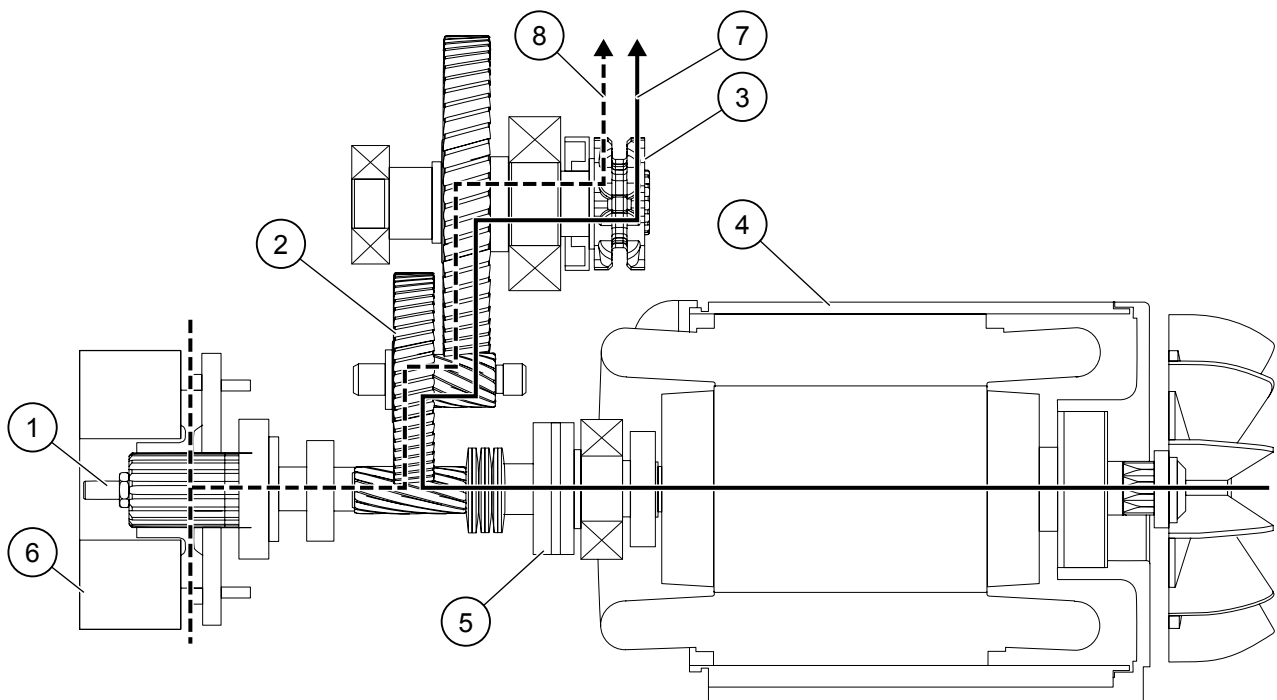


Figure 3. Kinematic chain of the electrical chain hoist

- |                     |                    |
|---------------------|--------------------|
| 1. Adjustment screw | 5. Slipping clutch |
| 2. Hoisting gear    | 6. Hoisting brake  |
| 3. Chain sprocket   | 7. Motor torque    |
| 4. Hoisting motor   | 8. Brake torque    |



## 4 MAIN COMPONENTS

### 4.1 Hoisting motor of the chain hoist

The hoisting motor is specially designed for hoisting purposes with good efficiency. The motor is classified as a TEFC motor – totally enclosed fan-cooled motor. This includes an aluminum frame with cooling ribs for efficient cooling, and a cooling fan for the motor.

50 Hz																
Motor type	Frame size	Spd ratio	Power N [kW]		Speed [n/rpm]		Torq. [NM]	Cos φ		Nominal voltage <sup>1)</sup> 380-415 V – Amps						JMOT [kgm <sup>2</sup> .10 <sup>-3</sup> ]
			HS	LS	HS	LS		HS	LS	I <sub>o</sub>		I <sub>n</sub>		I <sub>st</sub>		
										HS	LS	HS	LS	HS	LS	
MT06MB104	VX02	1/4	0.36	0.09	2820	650	1.3	0.67	0.76	1.3	1.2	1.60	1.20	4.64	1.32	0.5
MT08MB104	VX05	1/4	0.72	0.18	2745	665	2.58	0.77	0.51	2.1	1.4	2.4	1.6	7.2	2.35	1.67
MT10MA104	VX10	1/4	1.80	0.45	2790	695	6.2	0.8	0.5	3	3.2	4.9	3.1	20.09	6.51	2.65

<sup>1)</sup> The voltage values are considered as +/-5% of the nominal voltage range.

50 Hz																
Motor type	Frame size	Spd ratio	Power N [kW]		Speed [n/rpm]		Torq. [NM]	Cos φ		Nominal voltage <sup>1)</sup> 220-240 V – Amps						JMOT [kgm <sup>2</sup> .10 <sup>-3</sup> ]
			HS	LS	HS	LS		HS	LS	I <sub>o</sub>		I <sub>n</sub>		I <sub>st</sub>		
										HS	LS	HS	LS	HS	LS	
MT06MB104	VX02	1/4	0.36	0.09	2820	650	1.3	0.67	0.76	2.2	2.1	2.90	2.20	8.12	2.42	0.5
MT08MB104	VX05	1/4	0.72	0.18	2745	665	2.58	0.77	0.51	3.7	2.5	4.2	2.8	12.6	4.06	1.67
MT10MA104	VX10	1/4	1.80	0.45												2.65

<sup>1)</sup> The voltage values are considered as +/-5% of the nominal voltage range.

50 Hz																
Motor type	Frame size	Spd ratio	Power N [kW]		Speed [n/rpm]		Torq. [NM]	Cos φ		Nominal voltage <sup>1)</sup> 500-525 V – Amps						JMOT [kgm <sup>2</sup> .10 <sup>-3</sup> ]
			HS	LS	HS	LS		HS	LS	I <sub>o</sub>		I <sub>n</sub>		I <sub>st</sub>		
										HS	LS	HS	LS	HS	LS	
MT06MB104	VX02	1/4	0.36	0.09	2820	650	1.3	0.67	0.76	1.0	1.0	1.30	0.95	4.55	1.33	0.5
MT08MB104	VX05	1/4	0.72	0.18	2745	665	2.58	0.77	0.51	1.7	1.1	1.9	1.25	5.7	1.81	1.67
MT10MA104	VX10	1/4	1.80	0.45												2.65

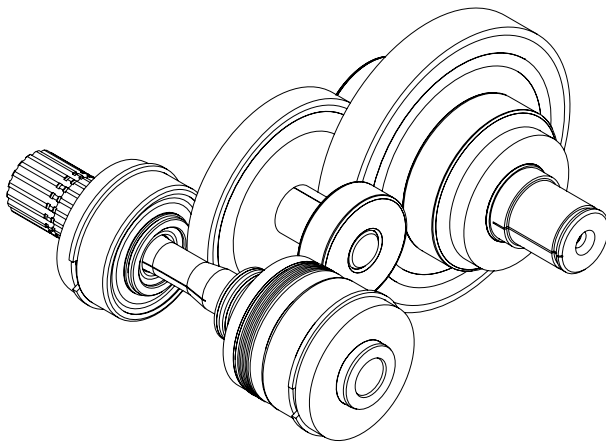
<sup>1)</sup> The voltage values are considered as +/-5% of the nominal voltage range.

**NOTE** *The size of the main fuse for the hoist power supply is 10A. For more information, contact the manufacturer.*

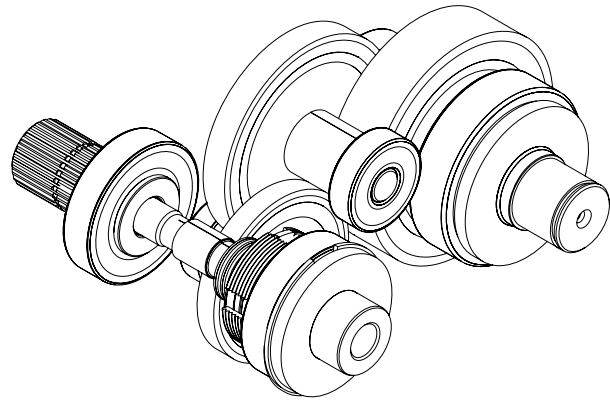
Abbreviations	
HS	High speed
LS	Low speed
I <sub>o</sub>	Current without load
I <sub>n</sub>	Nominal current
I <sub>st</sub>	Starting current

### 4.2 Hoisting gear of the chain hoist

The hoisting gear of the chain hoist is specially developed for hoisting appliances and has two or three helical steps. The gear is lubricated with oil so that the lubrication lasts for the design working period of the hoist.



2-step gear



3-step gear

Frame size	Main hoisting speed [m/min.] <sup>1)</sup>	Gear type	Gear ratio
VX02	8	2-step	54.9
	12	2-step	34.7
	16	2-step	27.3
	24	2-step	17.2
VX05	4	2-step	96.6
	8	2-step	54.6
	12	2-step	35.1
	16	2-step	28.2
VX10	4	3-step	141.0
	6	3-step	100.2
	8	3-step	75.7
	12	3-step	53.1
	16	3-step	34.6

<sup>1)</sup> Valid for the 1-fall chain hoist configurations.

### 4.3 Brakes of the chain hoist

#### 4.3.1 Single brake

The chain hoist is equipped with a disc brake which includes a rotating disc with two friction linings. The brake coil is energized by a DC voltage coming from the brake rectifier. The brake rectifier converts the AC voltage into a DC voltage. To ensure the self-cleaning function, the rotating parts of the brake are not enclosed.

The brake is designed so that it lasts for the design working period of the chain hoist. The brake wear can be checked at the brake coil, through an inspection hole. The brake lining wear criteria is indicated on a sticker that can be found on the brake, next to the brake wear measurement hole. If the brake wear exceeds the allowed measurement criteria, the brake must be replaced.

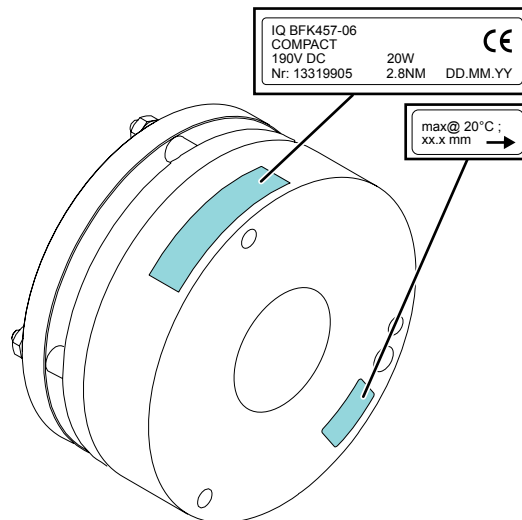


Figure 4. Single brake

### Brake characteristics

Frame size	Brake torque		Brake measurement [20°C] [mm] <sup>1)</sup>
	[Nm]	[lbf.ft]	
<b>VX02</b>	2.8	2.1	25.3
<b>VX05</b>	6.8	5.0	25.3
<b>VX10</b>	14	10.3	30

<sup>1)</sup> The brake measurement value that is given in the table is only a theoretical value. The value varies according to manufacturer and brake series. For each case, the maximum value that must not be exceeded is indicated on the sticker that can be found on the brake.

### 4.3.2 Double brake (option)

The double brake assembly consists of the main brake (single brake) and the secondary brake (double brake) that are assembled on the same brake hub. During the hoisting motion, the brake board energizes both brakes simultaneously. When the hoisting motion stops, the main brake switches off immediately. The motor inductive effect keeps the secondary brake energized still for a few milliseconds.

The main brake holds the first position (located 'on the top') in the double brake assembly, which makes checking of the brake wear easier.

The secondary brake is a holding brake that works as a back-up for the main brake. The secondary brake is the functional brake only if the main brake is damaged and cannot hold the load. If the main brake operates normally, you do not need to check the wear on the secondary brake.

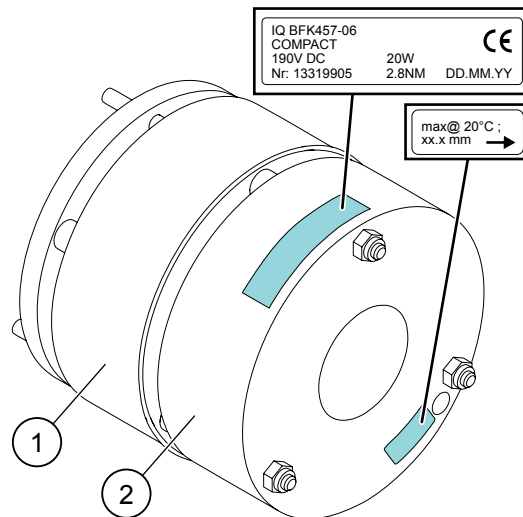


Figure 5. Double brake

1. Main brake
2. Secondary brake

**Brake characteristics**

Frame size	Brake (pcs)		Brake torque				Brake measurement [20°C] [mm] <sup>2)</sup>
	Single brake	Double brake	Main brake		Secondary brake <sup>1)</sup>		
			[Nm]	[lbf.ft]	[Nm]	[lbf.ft]	
VX02	1	2	2.8	2.1	2.8	2.1	25.3
VX05	1	2	6.8	5.0	6.8	5.0	25.3
VX10	1	2	14	10.3	14	10.3	30

<sup>1)</sup> If the hoisting brake operates normally, you do not need to check the wear on the back-up brake.

<sup>2)</sup> The brake measurement value that is given in the table is only a theoretical value. The value varies according to manufacturer and brake series. For each case, the maximum value that is not to be exceeded is indicated on the sticker that can be found on the brake.

**4.3.3 Brake coil voltages and resistance**

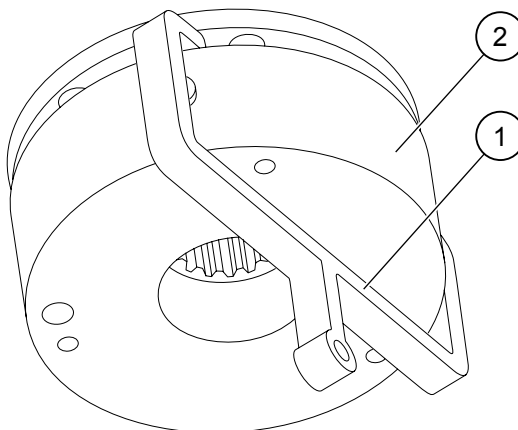
**Brake coil voltage**

Motor voltage [V AC]	Frequency [Hz]	Brake voltage [V DC]
208 V	60	103
220-240 V	50	103
208-230 V/460 V reconnectable	60	190
380-415 V	50/60	190
440-480 V	60	190
500-525 V	50	255
575 V	50	320

**Brake coil resistance**

Frame size	Brake type [single brake]	Brake torque		Rated voltage [V]	Coil resistance [20°C]	
		[Nm]	[lbf.ft]		Min. [Ω]	Max. [Ω]
VX02	BFK457-06	2.8	2.1	103	496.6	564.9
VX02	BFK457-06	2.8	2.1	190	1661	1949
VX02	BFK457-06	2.8	2.1	255	2439	2816
VX02	BFK457-06	2.8	2.1	320	4736	5548
VX05	BFK457-06	6.8	5.0	104	496.6	564.9
VX05	BFK457-06	6.8	5.0	180	1661	1949
VX05	BFK457-06	6.8	5.0	216	2439	2816
VX05	BFK457-06	6.8	5.0	258	4736	5548
VX10	BFK457-08	14	10.3	103	398.9	449.8
VX10	BFK457-08	14	10.3	190	1366	1552
VX10	BFK457-08	14	10.3	255	2167	2454
VX10	BFK457-08	14	10.3	320	3418	3921

#### 4.3.4 Manual brake release (option)



1. Manual brake release lever
2. Hoisting brake

The manual brake release feature is available as an option for the single brake assembly. This feature allows you to release the brake by hand in situations where you must lower the load manually.

The manual brake release should only be used in emergency situations where the brake cannot be released normally. Extensive use of the manual brake release and high lowering speed can result in immediate wear-out of the brake lining.

#### 4.4 Slipping clutch

The overload protection of the hoisting unit is ensured through a direct acting limiting device, the slipping clutch. The slipping clutch meets the requirements of the EN14492-2 standard that are set for this type of hoisting units.

The setting of the slipping clutch allows the hoist to lift a load that corresponds to the dynamic test load of 110% (EUR) and 125% (US) of the SWL (safe working load). The slipping clutch function prevents the hoist from lifting a load of 160% of the SWL. The slipping clutch enables the brake to hold the load without any interaction with the slipping clutch.

The construction of the slipping clutch assembly varies according to the hoist frame size. The chain hoist frame sizes VX02–VX10 use the same kind of slipping clutch construction that has only one clutch disc.

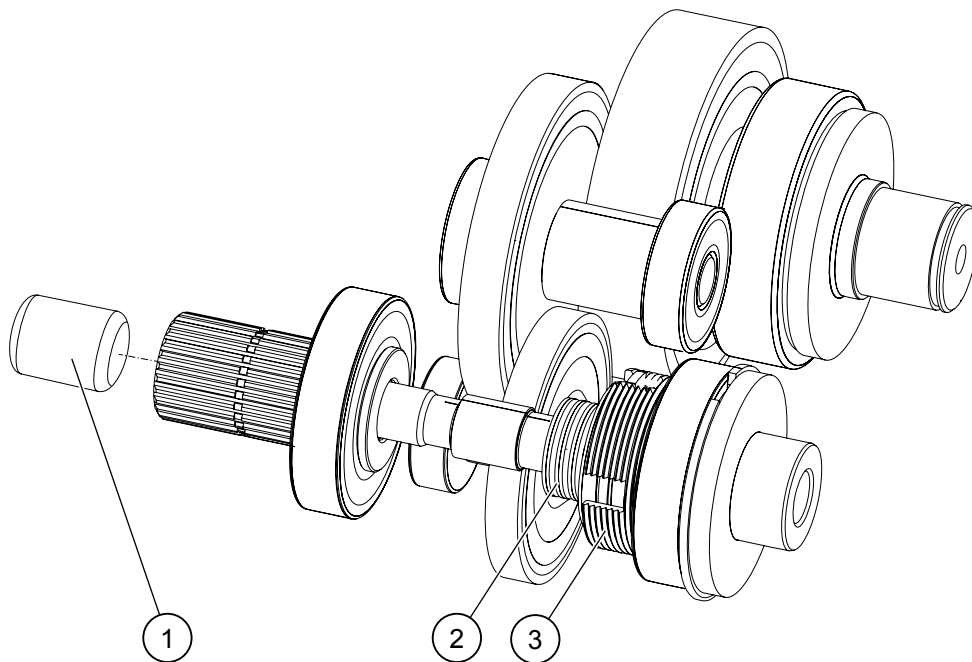
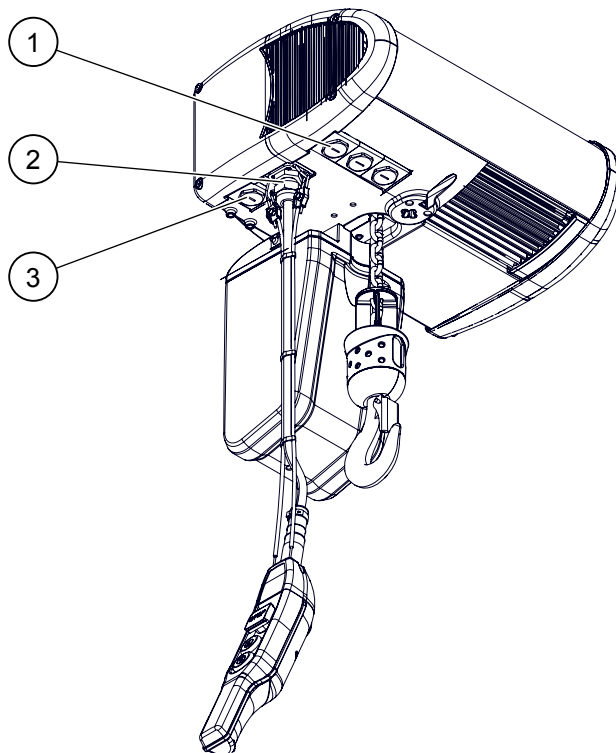


Figure 6. Slipping clutch construction with one clutch disc

1. Setting screw
2. Belleville washers
3. Torque limiter disc with lining

## 4.5 Electrics of the chain hoist

### 4.5.1 Cable gland positions on the hoist



*Figure 7. Cable gland positions of the chain hoist*

- |                                |                       |
|--------------------------------|-----------------------|
| 1. Trolley connection to hoist | 3. Hoist power supply |
| 2. Pendant controller          |                       |

### 4.5.2 Wiring principle

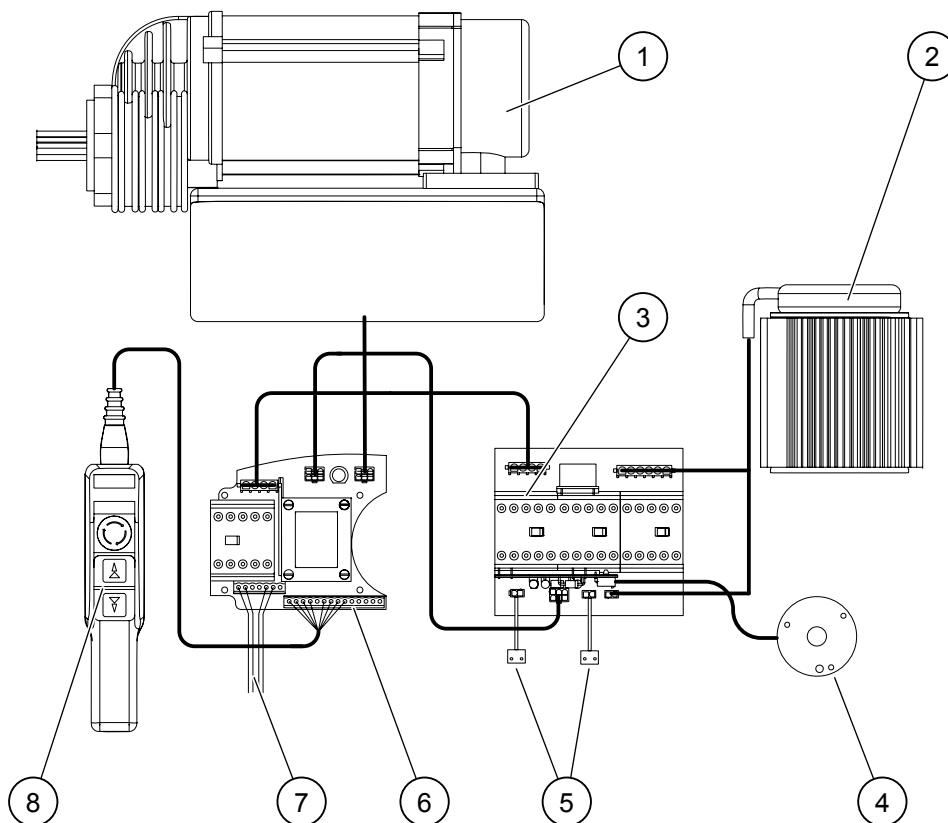


Figure 8. Wiring principle of the electrical chain hoist

- |  |   |
|--|---|
| 1. Traveling motor unit with integrated inverter | 6. Power board (main contactor and transformer) |
| 2. Hoisting motor + bimetal switches             | 7. Power supply                                 |
| 3. Motor control board                           | 8. Pendant controller                           |
| 4. Brake   |   |
| 5. Lifting limit switches                        |   |

## 4.6 Controller

### 4.6.1 Pendant controller

You can control the chain hoist lifting and trolley traveling by using a pendant controller which is connected to the chain hoist with a control cable.



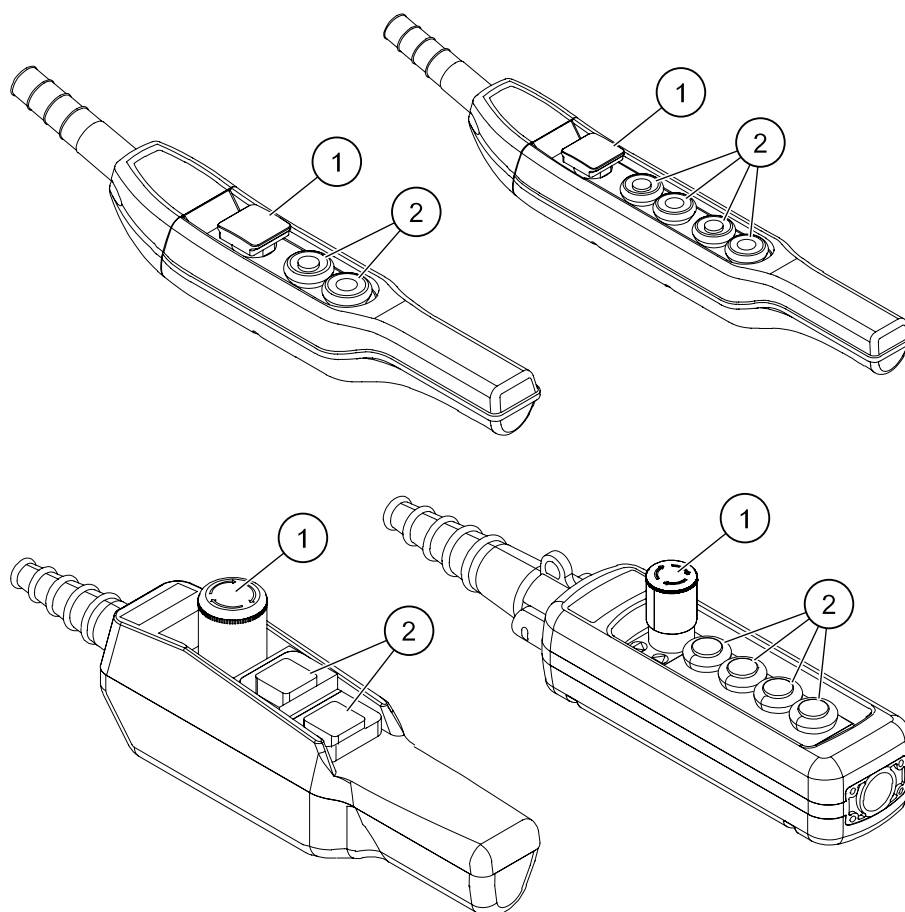
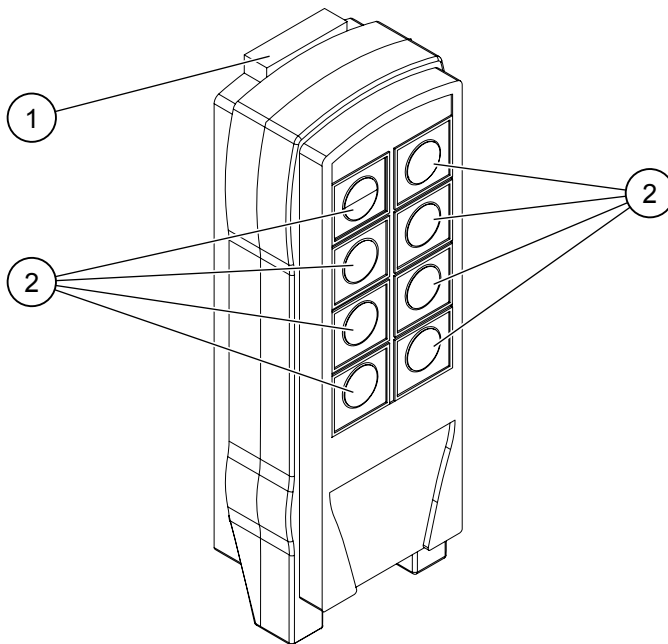


Figure 9. Examples of pendant controller types

1. Emergency stop
2. Direction controls

As an option, the pendant controller can have a magnet on the opposite side of the buttons. With the magnet, you can pull aside the pendant controller and its cable and attach it to magnetic material, for example, a steel shelf.

## 4.6.2 Radio controller



*Figure 10. Radio controller*

1. Emergency stop
2. Direction controls

### 4.6.3 Hand control on hook (option)

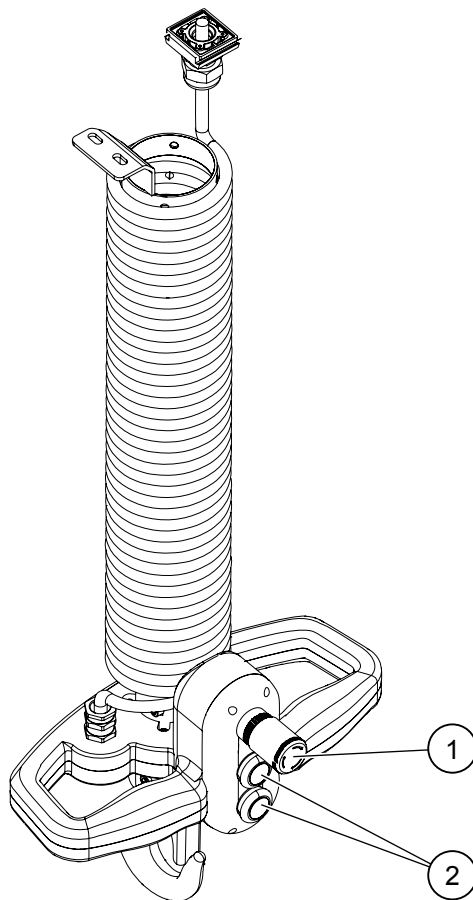


Figure 11. Hand control on hook

1. Emergency stop
2. Direction controls

Frame size	Max. load [kg]	Max. HOL [m]	C-dimension [mm]	
			Long bracket	Short bracket
VX02	320	5	906	868
VX05	500	5	906	868
VX10	1)			

<sup>1)</sup>Configuration not available.

#### Operating conditions

<b>Ambient temperature</b>	-20°C to +40°C
<b>Protection class</b>	IP55 as standard
<b>Side pulling angle</b>	3 degrees maximum
<b>Sound pressure level</b>	70 dB (impact on the environment)

#### Technical characteristics

Rated capacity	125–500 kg
Maximum lifting height (HOL)	5 m
Control cable length (pendant controller)	3 m
Hook	Movable
Low voltage control	48 V

## 4.7 Suspension types of the chain hoist

### 4.7.1 Suspension bracket

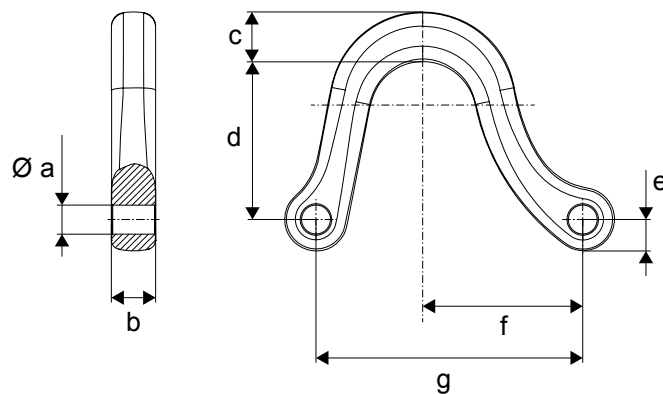


Figure 12. Dimensions of the suspension bracket

Dimensions [mm]								
Frame size	$\varnothing a$	b	c	Bracket long	Bracket short	e	f	g
				d				
VX02	12.5	19	21.5	68	30	13.5	69	115
VX05	12.5	19	21.5	68	30	13.5	69	115
VX10	20	26	26	81	-	18	102	170

**NOTE** *The bracket has markings “I” and “II” according to the reeving (1-fall or 2-falls). The markings must match with the markings on the chain hoist body.*

### 4.7.2 Suspension eye

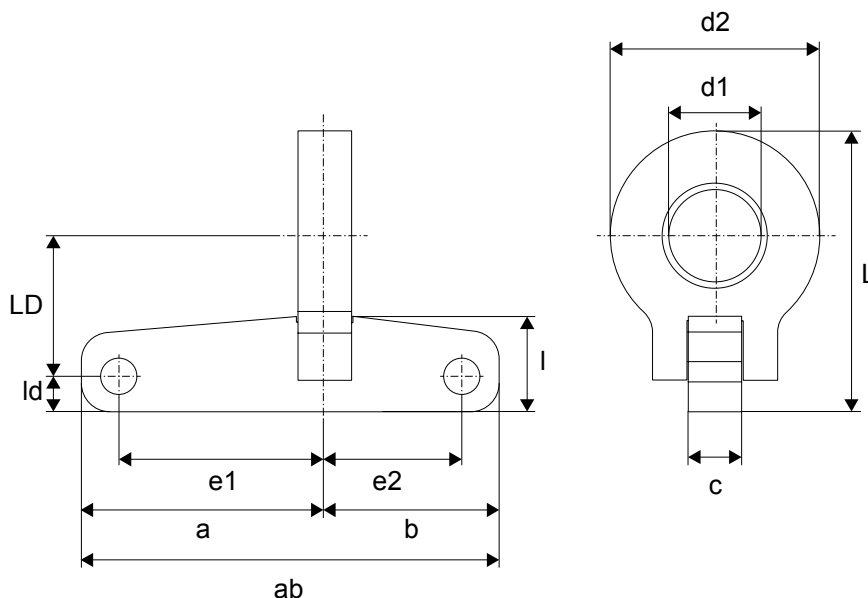


Figure 13. Dimensions of the suspension eye

Frame size	Dimensions [mm]											
	a	ab	b	c	d1	d2	e1	e2	l	ld	L	LD
VX02	81.5	140	58.5	18	31	70	69	46	32	12	94	47
VX05	81.5	140	58.5	18	31	70	69	46	32	12	94	47
VX10	120	210	90	22	53	98.1	100	70	58	17	161	90.5

### 4.7.3 Suspension hook

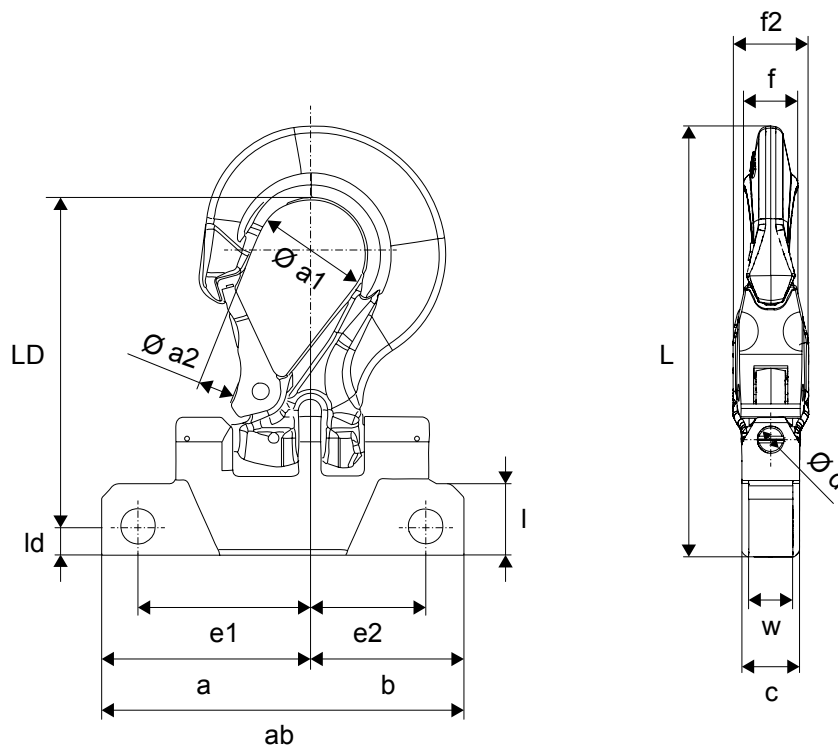


Figure 14. Dimensions of the foldable suspension hook

Frame size	Hook	Dimensions [mm]															
		a	ab	a1	a2	b	c	d	e1	e2	f	f2	l	ld	L	LD	w
VX02	RUD GSH 8	88	153	42	30	65	22	12.3	69	46	20	28	30	13	170	130	19
VX05	RUD GSH 8	88	153	42	30	65	22	12.3	69	46	20	28	30	13	170	130	19
VX10	RUD GCH 13	123.5	214	65	40	90.5	34	16	102	68	30	46	41	17	253	193	26

**NOTE** *1-fall chain hoists: The hook opens towards the back of the chain hoist. 2-fall chain hoists: The hook opens towards the front of the chain hoist. This is marked with markings 'I' and 'II' on the top of the chain hoist body.*

4.7.4 Fixed suspension (option)

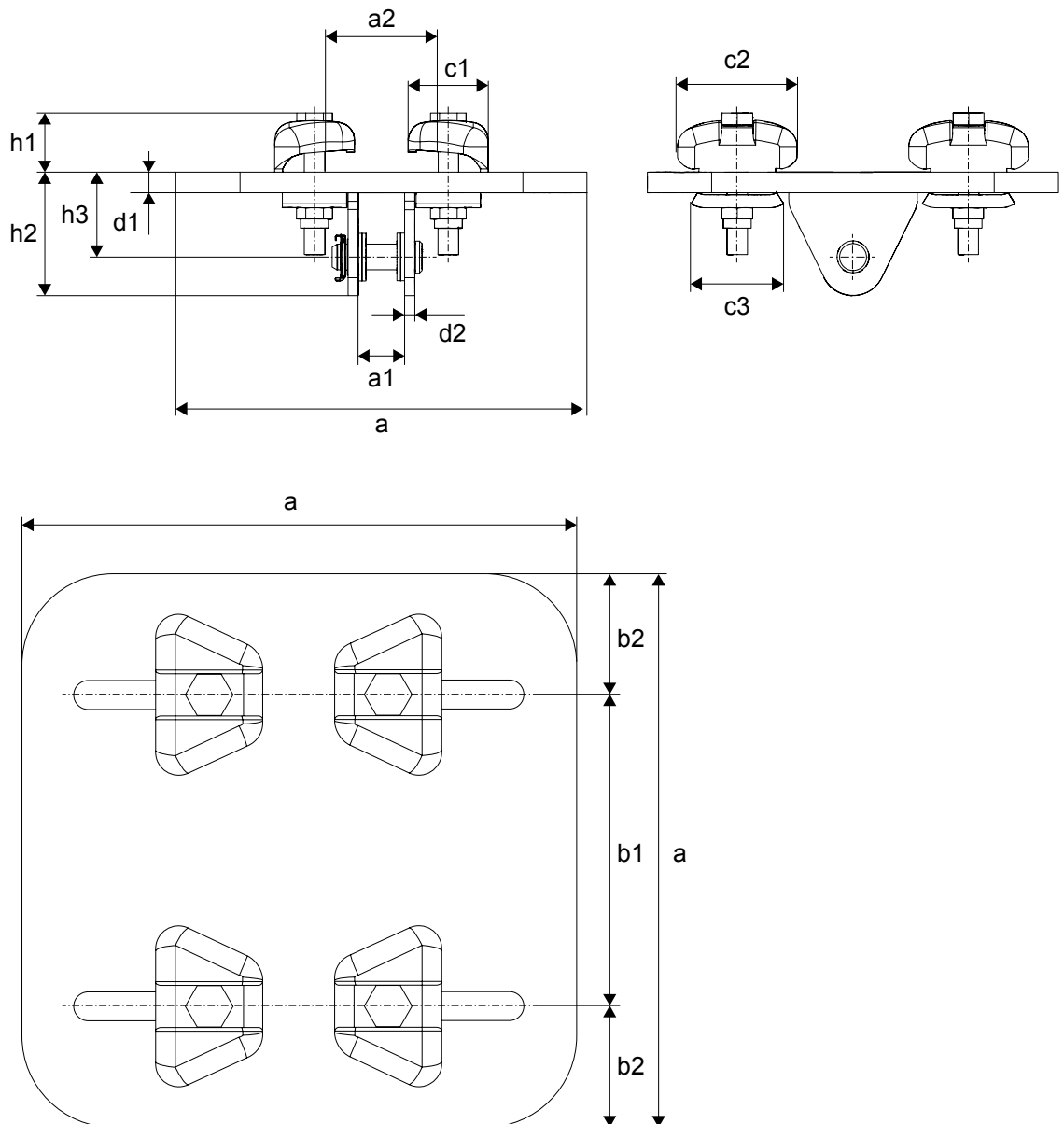


Figure 15. Dimensions of the fixed suspension

Frame size	Dimensions [mm]												
	a	a1	a2	b1	b2	c1	c2	c3	d1	d2	h1	h2	h3
VX02	320	36	58-200	180	70	62	93	72	16	8	46	96	66
VX05	320	36	58-200	180	70	62	93	72	16	8	46	96	66
VX10	1)												

1) Data not available yet.

## 4.8 Chain drive

The chain drive of the electrical chain hoist includes the following components:

- Chain guide
- Chain sprocket
- Return sprocket (in 2-fall hoist versions)
- Chain.

### 4.8.1 Chain sprocket

The chain sprocket of the electrical chain hoist has six pockets in the chain hoist frame size 02, and five pockets in the chain hoist frame sizes 05 and 10.

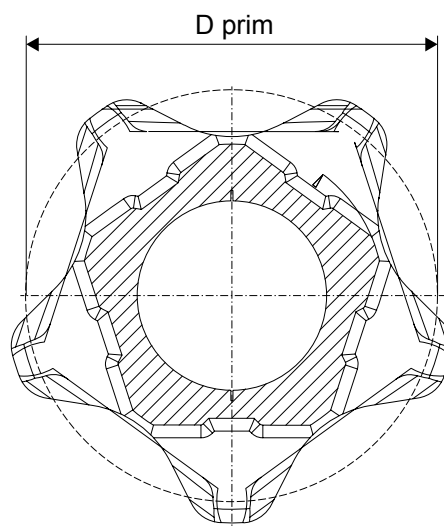


Figure 16. Dimensions of the chain sprocket

Frame size	Chain sprocket	Dimensions [mm]		
		Chain	Nbr of pockets	D prim [mm]
VX02	SINGLE	4.1 x 12.1	6	46.4
VX05	SINGLE	5.1 x 15.1	5	48.88
VX10	SINGLE	7.2 x 21.1	5	68.71

### 4.8.2 Return sprocket

The return sprocket is included only in the 2-fall chain hoist configurations.

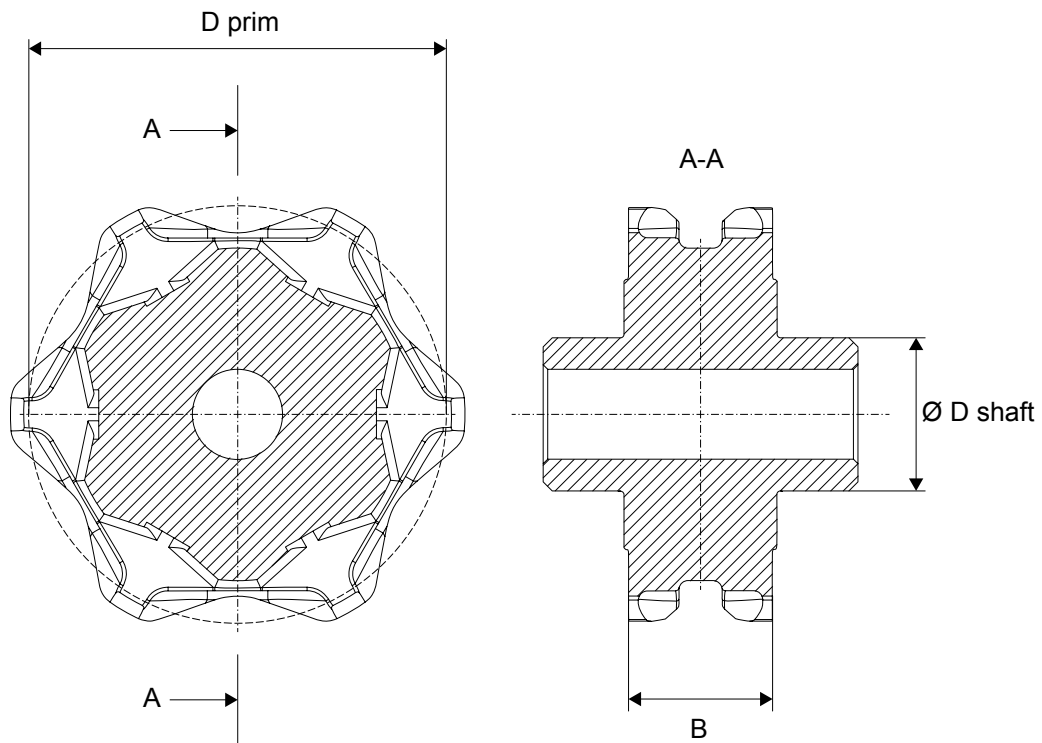


Figure 17. Dimensions of the return sprocket

Dimensions [mm]							
Frame size	Chain sprocket	Chain	Pockets	D prim	D shaft [Ø]	B	
VX02	SINGLE	4.1 x 12.1	6	46.4	16H7	17.0	-0.1
VX05	SINGLE	5.1 x 15.1	5	48.88	25J7	21.0	±0.1
VX10	SINGLE	7.2 x 21.1	5	68.71	32H7	27.0	0/-0.2

### 4.8.3 Chain - standard chain, stainless steel chain, and DAT chain

#### Safety factors of the chain

Frame size	T-grade chain		Stainless steel chain	
	Max. load	Static safety factor	Max. load	Static safety factor
VX02	250	8.8	160	10
VX05	500	7	320	7.8
VX10	1250	5.6	630	7.9

#### Technical data of the chain

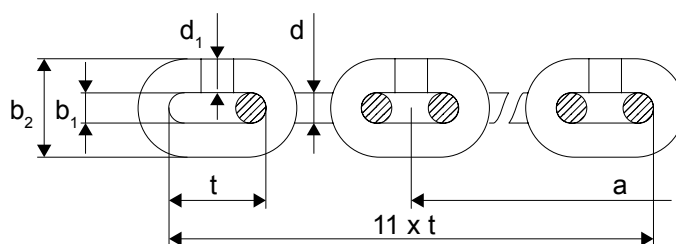


Figure 18. Chain dimensions



Dimensions and weight				
Feature	Unit	Frame size		
		VX02	VX05	VX10
Chain size	t x d	4.1 x 12.1	5.1 x 15.1	7.2 x 21.1
Diameter	d [mm]	4.1	5.1	7.2
Pitch	t [mm]	12.1	15.1	21.1
Control length	11 × t [mm]	134.2	167.2	233.2
Weld seam	d1 [mm], max.	4.4	5.6	7.8
Internal width	b1 [mm], min.	4.8	5.8	8.2
External width	b2 [mm], max.	13.7	16.9	23.7
Label spacing <sup>1)</sup>	A [m], min.	0.12	0.15	0.22
Label mark height <sup>1)</sup>	[mm]	1.5	1.8	2
Chain weight	G [kg/m]	0.38	0.62	1.20

<sup>1)</sup>Not valid for DAT chain.

Technical characteristics										
	Unit	Frame size								
		VX02			VX05			VX10		
Chain size	t x d	4.1 x 12.1			5.1 x 15.1			7.2 x 21.1		
Chain type	Std/ Stainl.	Std	SS	DAT	Std	SS	DAT	Std	SS	DAT
Cross section	A [mm <sup>2</sup> ]	26.4	26.4	26.4	40.9	40.9	40.9	81.4	81.4	81.4
Max. working load	mSWP [kg]	250	160 <sup>1)</sup>	250 <sup>4)</sup>	500	320 <sup>1)</sup>	500 <sup>4)</sup>	1250	630 <sup>1)</sup>	1250 <sup>5)</sup>
Stress at max. working load	σ [MPa]	93	59.4	93	120	76.8	120	150	75.9	150
Test force	Fm [kN]	13.8	10	13.8	22	16	22	43	32	43
Min. breaking force	FB [kN]	22	16	22	35	25	35	70	50	70
Min. breaking elongation	A [%]	10	15	10	10	15	10	10	15	10
Min. surface hardness	[HV]	380HV10	250HV5	570HV5	380HV10	250HV5	570HV5	380HV10	250HV5	570HV5
Corrosion protection		2)	3)	2)	2)	3)	2)	2)	3)	2)
Grade		80	60	80	80	60	80	80	60	80
Class		T	S	DAT	T	S	DAT	T	S	DAT

<sup>1)</sup> The lifetime of the stainless steel chain is shortened significantly when the chain is used with high loads. Recommendation for usage is: 70% of max. load: 25-50 cycles per day; 100% of max. load: max. 10 cycles per day.

<sup>2)</sup> Galvanized, with additional surface treatment.

<sup>3)</sup> Non-rusting, bright.

<sup>4)</sup> Group of mechanism M5.

<sup>5)</sup> Group of mechanism M4.

### 4.8.4 Chain bucket

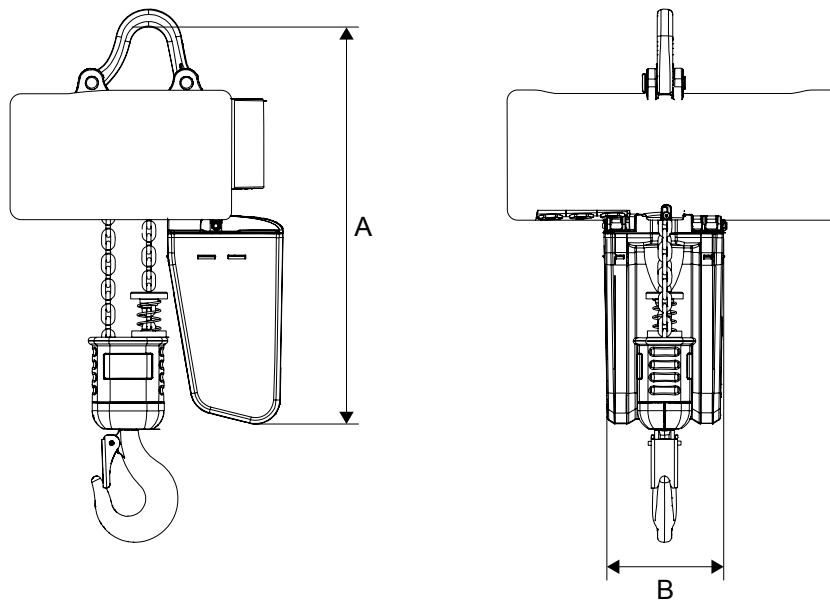


Figure 19. Chain bucket dimensions

Dimensions [mm]						
Frame size	Chain bucket capacity		Chain size	Long bracket	Short bracket <sup>1)</sup>	B
	[m]	[ft]		A		
VX02	6	19	4.1 x 12.1	469	431	145
VX02	16	52	4.1 x 12.1	571	533	145
VX05	6	19	5.1 x 15.1	483	445	145
VX05	16	52	5.1 x 15.1	584	546	145
VX10	6	19	7.2 x 21.1	483	-	201
VX10	16	52	7.2 x 21.1	584	-	201

<sup>1)</sup> The chain bucket with the A dimension for the short suspension bracket is not available with all chain hoist trolley configurations.

**NOTE** *The dimensions of the chain bucket that are given in the table are valid for the 1-fall chain hoist configurations.*

Technical characteristics	
Material	High-density polyethylene / PP-C
Weight	0.93-0.97 g/cm <sup>3</sup>
Wall thickness	3 mm
Max. temperature	110°C
Color	Black

## 4.9 Hooks and hook blocks of the chain hoist

### 4.9.1 Standard hook

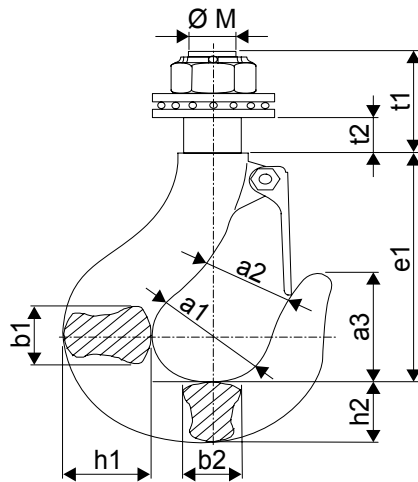


Figure 20. Dimensions of the standard hook

The standard hook of the chain hoist is designed according to the requirements of the DIN15401. The material of the hook is 34 CrMo 4.

Frame size	Falls	Hook size [RSN]	Dimensions [mm]										
			M [Ø]	a <sub>1</sub>	a <sub>2</sub> <sup>1)</sup>	a <sub>3</sub>	b <sub>1</sub>	b <sub>2</sub>	e <sub>1</sub>	h <sub>1</sub>	h <sub>2</sub>	t <sub>1</sub>	t <sub>2</sub>
VX02	1/1	012T	12	30	22	34	19	15	71	22	19	32	10.5
VX02	2/1	020T	16	34	25	39	21	18	81	26	22	36	13.5
VX05	1/1	020T	16	34	25	39	21	18	81	26	22	36	13.5
VX05	2/1	05T	20	43	32	49	29	24	102	37	31	39	14.5
VX10	1/1	05T	20	43	32	49	29	24	102	37	31	39	14.5
	2/1	08	24	48	38	54	35	29	115	44	37	55	20.5

<sup>1)</sup> The dimension a<sub>2</sub> is given with the hook latch opened.

## 4.9.2 Stainless steel hook

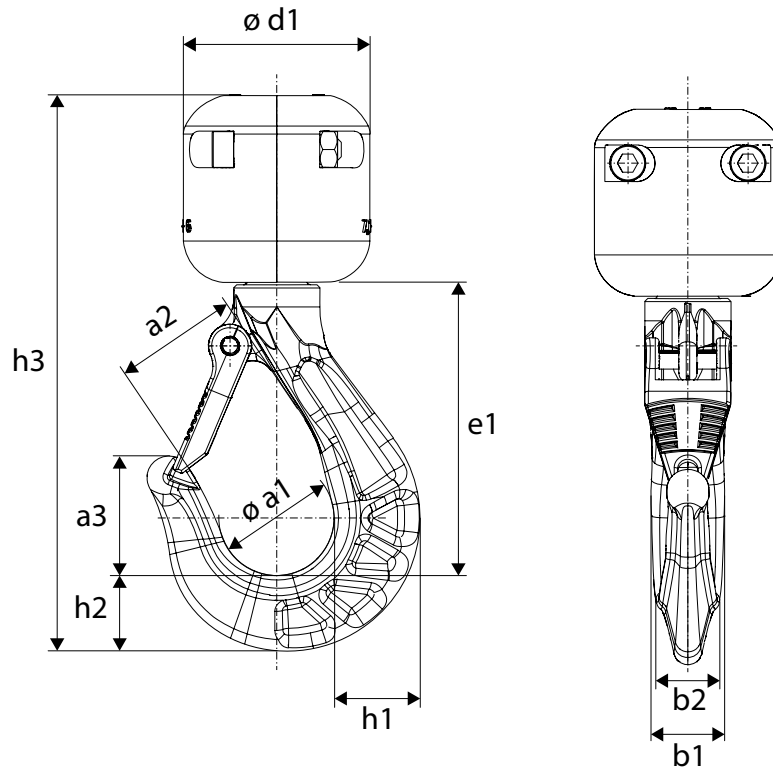


Figure 21. Dimensions of the 1-fall stainless steel hook and hook block

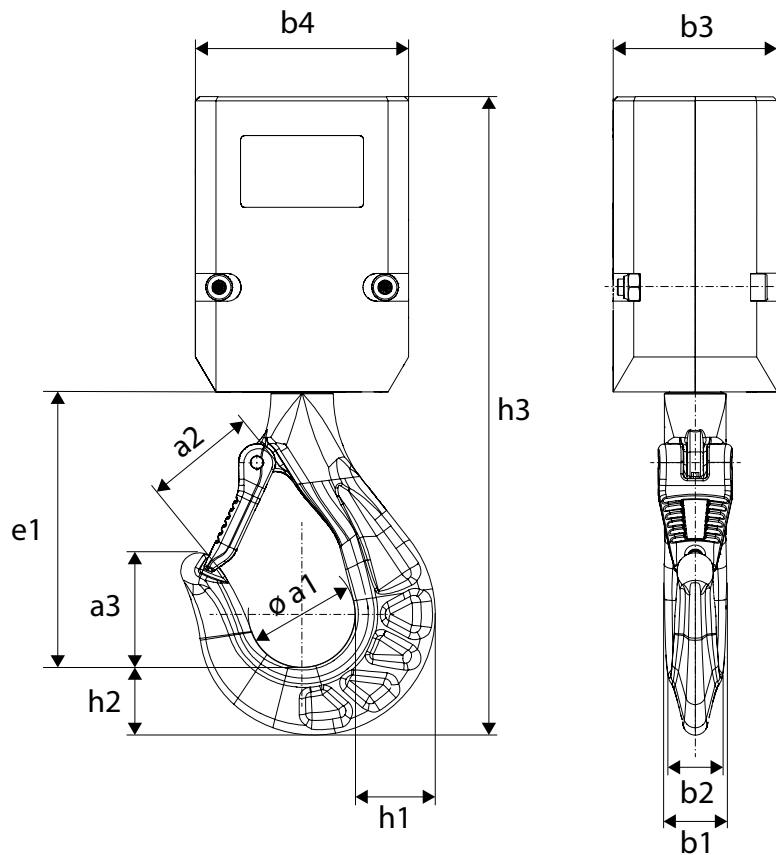


Figure 22. Dimensions of the 2-fall stainless steel hook and hook block

Frame size	Falls	Hook size	Max. load [kg]	Dimensions (mm)											
				a1	a2	a3	b1	b2	b3	b4	d1	e1	h1	h2	h3
VX02	1/1	CWHF 40	160	23.0	26.7	22.6	15.9	12.9	-	-	37.0	61.5	18.5	15.5	115.4
VX05	1/1	CWHF 50	320	23.0	26.7	22.6	15.9	12.9	-	-	37.0	61.5	18.5	15.5	115.4
VX10	1/1	CWHF 71	630	32.0	34.8	33.3	19.7	17.6	-	-	52.0	81.0	24.0	21.0	154.7
VX10	2/1	CWHF 90	1250	52.0	53.7	56.0	30.0	25.9	80.0	104.0	-	134.0	39.0	33.0	311.5

### 4.9.3 Safety hook (option)

The safety hook is a self-locking version of the hook. It is available as an option.

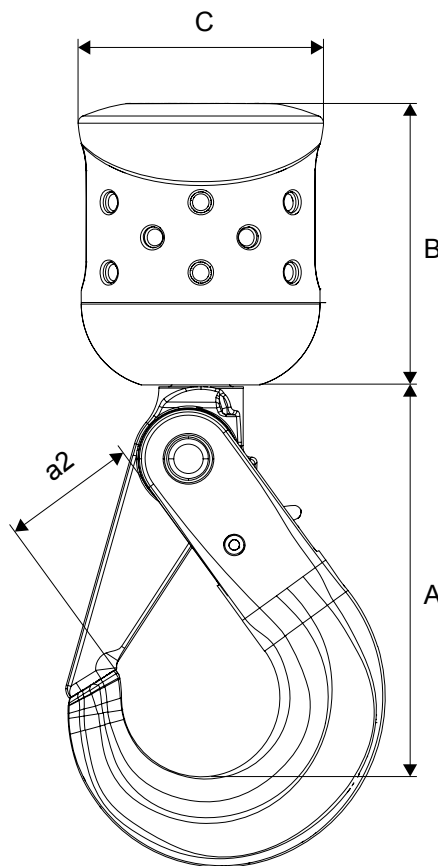


Figure 23. Dimensions of the 1-fall safety hook and hook block

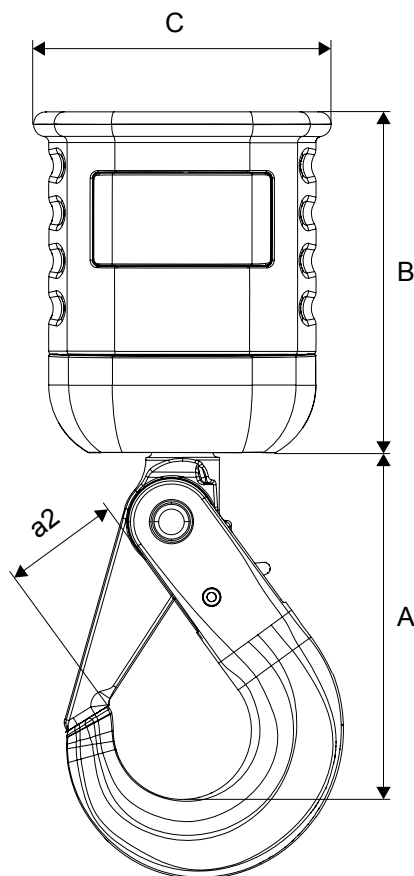


Figure 24. Dimensions of the 2-fall safety hook and hook block

Frame size	Falls	Hook type	Dimensions [mm]				Influence to C-dimension [+mm]
			A	a2	B	C	
VX02	1/1	BKT 7/8-10	112	36	67	58	43
VX02	2/1	BKT 7/8-10	112	36	102	76	26
VX05	1/1	BKT 7/8-10	112	36	80	70	27
VX05	2/1	BKT 7/8-10	112	36	115	86	7
VX10	1/1	BKT 7/8-10	112	36	97	82	7
VX10	2/1	BKT 13-10	172	44	160	126	56

#### 4.9.4 Single fall hook blocks

The material of the hook block rubber part is Santoprene-8221.65.

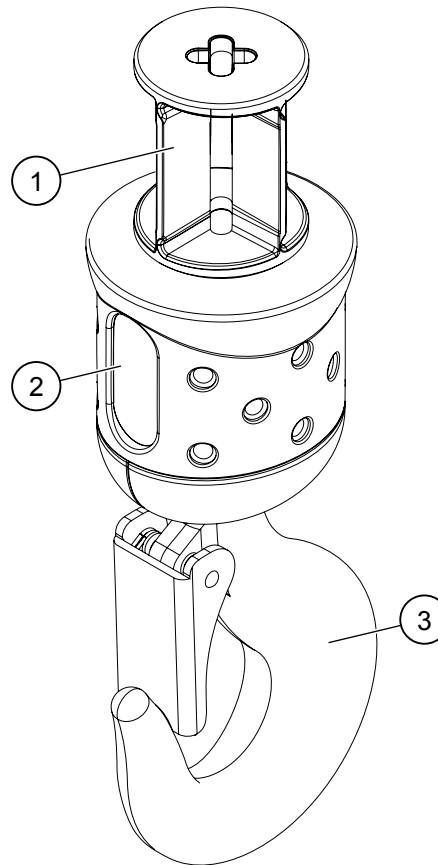


Figure 25. Single fall hook block

1. Limit switch activator
2. Grip area
3. Turnable hook with safety latch, axial needle bearings

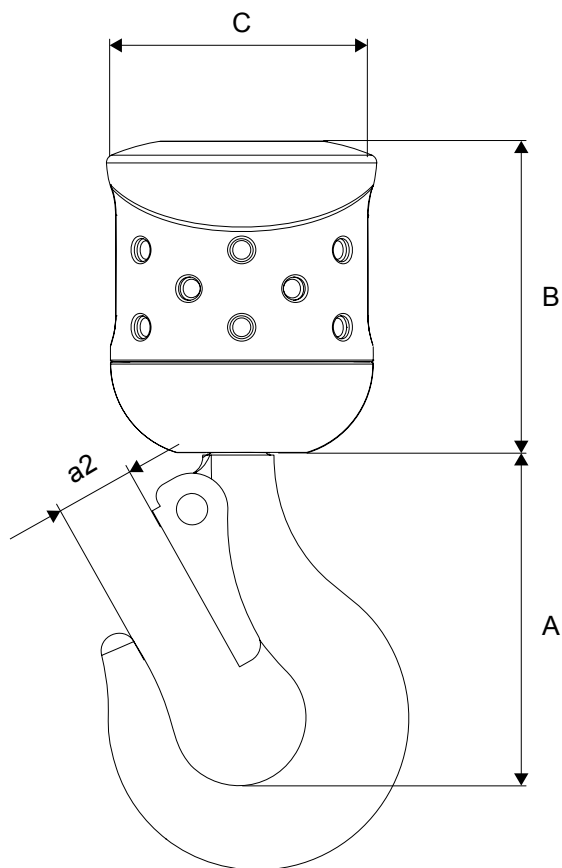


Figure 26. Dimensions of the single fall hook block

Frame size	Reeving	Dimensions [mm]			
		A	B	C	a2 <sup>1)</sup>
VX02	2/1	75	67	58	19
VX05	2/1	85	81	70	21
VX10	2/1	106	97	82	27

<sup>1)</sup> The dimension a2 is given with the hook latch opened.

### 4.9.5 Two-fall hook blocks

The material of the hook block rubber part is Santoprene-8221.65.



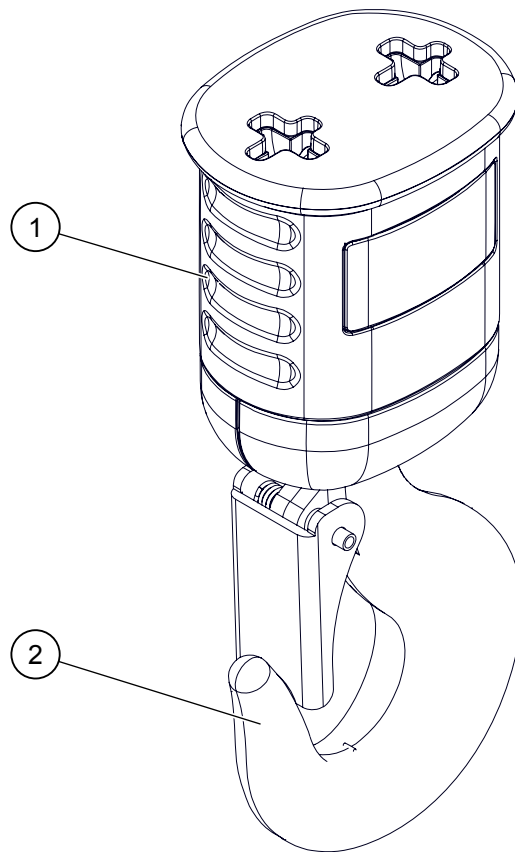


Figure 27. Two-fall hook block

1. Grip area

2. Turnable hook with safety latch, axial  
needle bearings

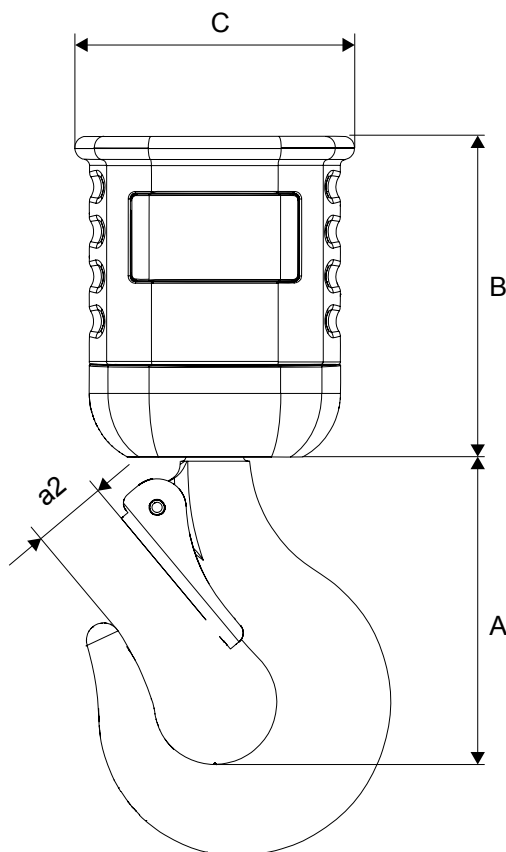


Figure 28. Dimensions of the two-fall hook block

Frame size	Reeving	Dimensions [mm]			
		A	B	C	a2 <sup>1)</sup>
VX02	2/1	86	106	97	21
VX05	2/1	106	112	97	27
VX10	2/1	117	160	126	25

<sup>1)</sup> The dimension a2 is given with the hook latch opened.

#### 4.10 Rotating geared limit switch (GLS)

The rotating geared limit switch is available as a 2- or 4-step version.

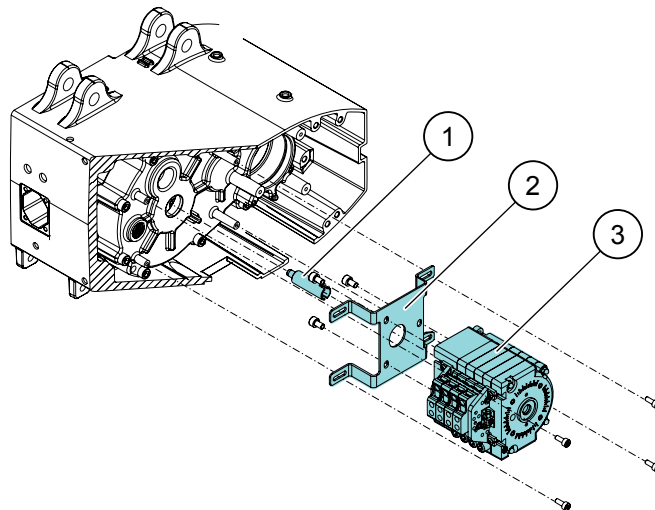


Figure 29. 4-step rotating geared limit switch

1. Coupling
2. Fixing plate

3. Rotating geared limit switch

#### 4.10.1 Rotating geared limit switch types

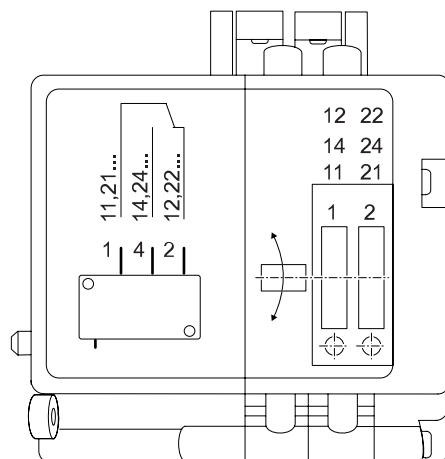


Figure 30. 2-step rotating geared limit switch

The 2-step rotating geared limit switch works together with the internal controls as an adjustable upper and lower stop limit. It is mechanically connected to the hoisting gear and counts the revolutions of the chain sprocket. The internal gear ratio of the geared limit switch must be designed according to the total stroke of the chain hoist.

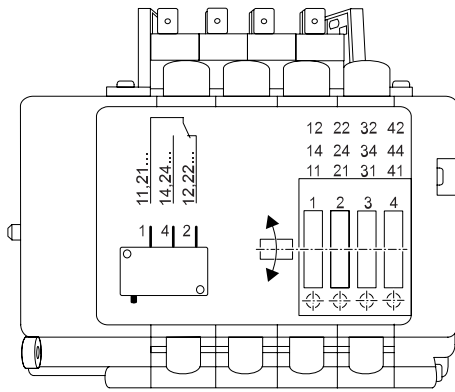


Figure 31. 4-step rotating geared limit switch

The 4-step rotating geared limit switch has a similar operating function as the 2-step geared limit switch, but provides four separately adjustable switching units. There are several configuration possibilities for this feature, but the configuration 1 (see table 4-step geared limit switch) is the standard configuration.

### 4.10.2 Rotating geared limit switch configurations

#### 2-step geared limit switch

Config.	GLS type	Description	Switch unit
1	2-step GLS + microswitch 1), 2)	Limit switch safety UP stop	Switch X3A <sup>3)</sup>
		Limit switch safety DOWN stop	Switch X4A <sup>3)</sup>
		Limit switch working UP stop	GLS UP 1
		Limit switch working DOWN stop	GLS DOWN 1
2	2-step GLS + microswitch	Limit switch UP stop	Switch X3A <sup>3)</sup>
		Limit switch DOWN stop	Switch X4A <sup>3)</sup>
		Slow speed UP	GLS UP 1
		Slow speed DOWN	GLS DOWN 1

1) Standard configuration.

2) Only for chain hoist frame sizes VX02-VX10.

3) The switches X3A and X4A are electro-mechanical limit switches that are installed on the chain guide. They are activated mechanically when touched by the buffer of the hook.

#### 4-step geared limit switch

Config.	GLS type	Description	Switch unit
1	4-step GLS + microswitch <sup>1), 2)</sup>	Limit switch safety UP stop	Switch X3A <sup>3)</sup>
		Limit switch safety DOWN stop	Switch X4A <sup>3)</sup>
		Limit switch working UP stop	GLS UP 1
		Limit switch working DOWN stop	GLS DOWN 1
		Slow speed UP	GLS UP 2
		Slow speed DOWN	GLS DOWN 2
2	4-step GLS + microswitch	Limit switch safety UP stop	Switch X3A <sup>3)</sup>
		Limit switch safety DOWN stop	Switch X4A <sup>3)</sup>
		Limit switch working UP stop	GLS UP 1
		Limit switch working DOWN stop	GLS DOWN 1
		Free for customer use	GLS UP 2
		Free for customer use	GLS DOWN 2
3	4-step GLS + microswitch	Limit switch UP stop	Switch X3A <sup>3)</sup>
		Limit switch DOWN stop	Switch X4A <sup>3)</sup>
		Slow speed UP	GLS UP 1
		Slow speed DOWN	GLS DOWN 1
		Free for customer use	GLS UP 2
		Free for customer use	GLS DOWN 2
1) Standard configuration.			
2) Only for chain hoist frame sizes VX02-VX10.			
3) The switches X3A and X4A are electro-mechanical limit switches that are installed on the chain guide. They are activated mechanically when touched by the buffer of the hook.			

### 4.10.3 Functional description of the rotating geared limit switch

If the hoist is equipped with a rotating geared limit switch, adjust the cutting points (upper and lower limits) of the geared limit switch before starting to operate the hoist. Instructions on how to set the limits in the different geared limit switch configurations can be found on a sticker. The sticker is placed on the hoist profile, next to the geared limit switch adjustment holes.

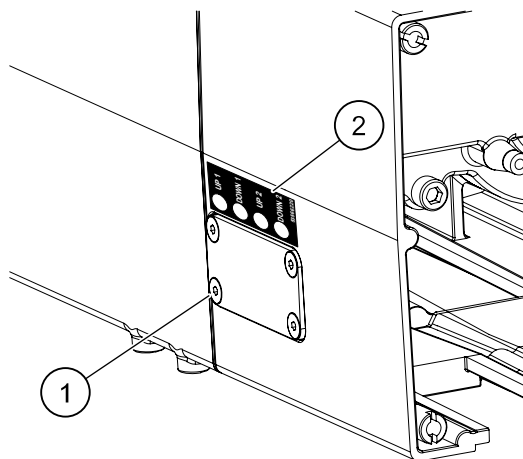


Figure 32. Location of the cover plate and adjustment sticker of the GLS on the hoist profile

1. Cover plate
2. Sticker for GLS adjustment instructions

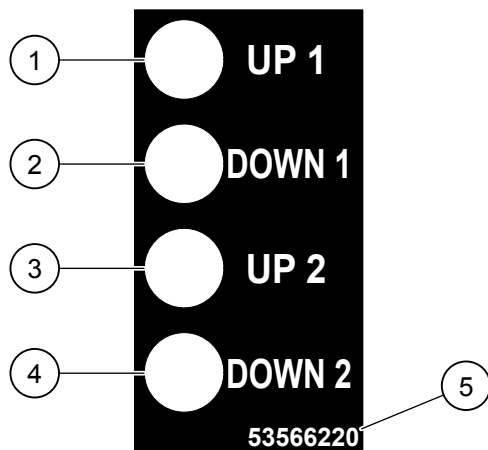


Figure 33. Sticker for GLS adjustment (example of a 4-step GLS)

- |   |   |
|---|---|
| <ol style="list-style-type: none"> <li>1. Upper (UP) limit 1</li> <li>2. Lower (DOWN) limit 1</li> <li>3. Upper (UP) limit 2</li> </ol> | <ol style="list-style-type: none"> <li>4. Lower (DOWN) limit 2</li> <li>5. Identification number</li> </ol> |
|---|---|

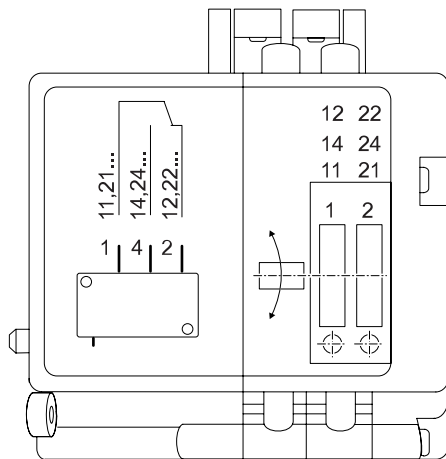


Figure 34. 2-step rotating geared limit switch

The set screw 1 is the upper limit and the set screw 2 is the lower limit.

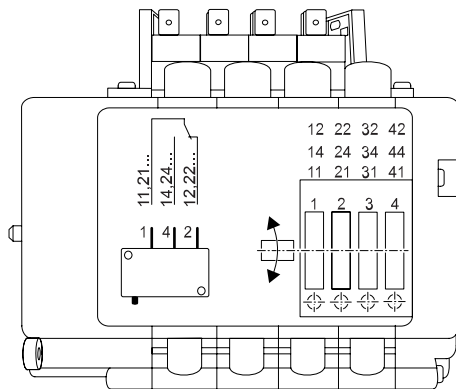


Figure 35. 4-step rotating geared limit switch

The set screw 1 is the upper limit 1 and the set screw 2 is the lower limit 1.

The set screw 3 is the upper limit 2 and the set screw 4 is the lower limit 2.

#### 4.10.4 Rotating geared limit switch operational limits

The operational limits for a standard rotating limit switch are shown in the following table.

Frame size	Max. HOL [m]			
	Ratio 180		Ratio 280	
	1-fall	2-falls	1-fall	2-falls
VX02	25	12.5	38	19
VX05	25	12.5	40	20
VX10	36	18	56	28

#### 4.11 Extension profile

The following optional features extend the hoist length through an extension profile part on the hoist frame:

- Double brake
- Geared limit switch (+ double brake)
- Stand-by heating.

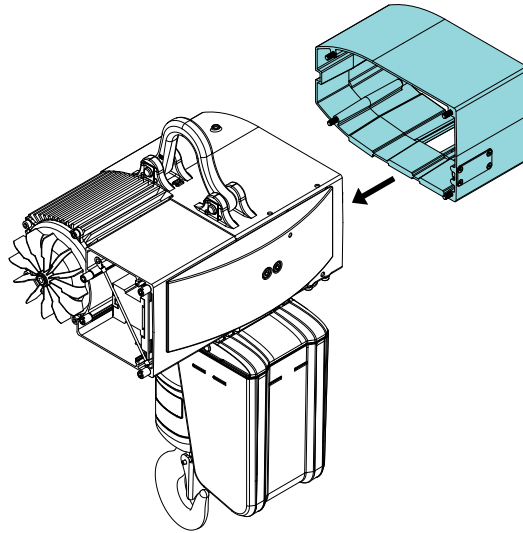


Figure 36. Chain hoist with extension profile

Frame size	Extension profile [mm] <sup>1)</sup>
VX02	116
VX05	132
VX10	132

<sup>1)</sup> The extension profile length includes the seal.

## 4.12 Chain hoist trolleys

The electrical chain hoist can be combined with a variety of chain hoist trolleys. The EUROCHAIN VX electrical chain hoist is compatible with both C- and M-trolleys of the chain hoist.



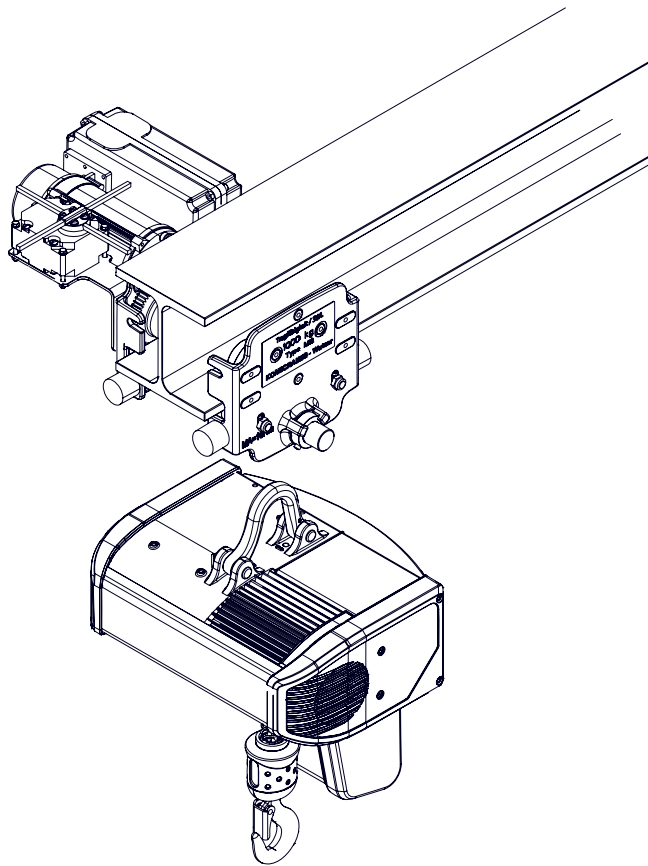


Figure 37. Motorized trolley (normal headroom trolley)

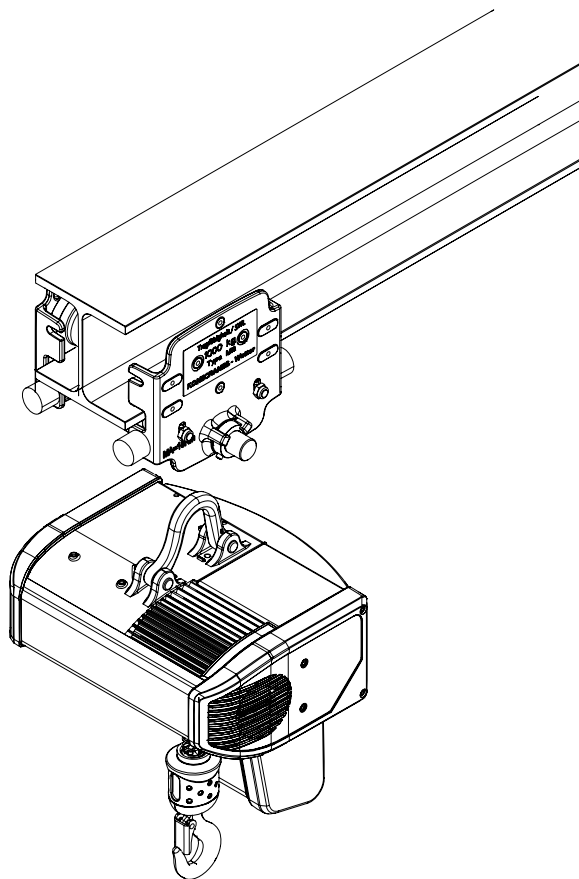


Figure 38. Push trolley

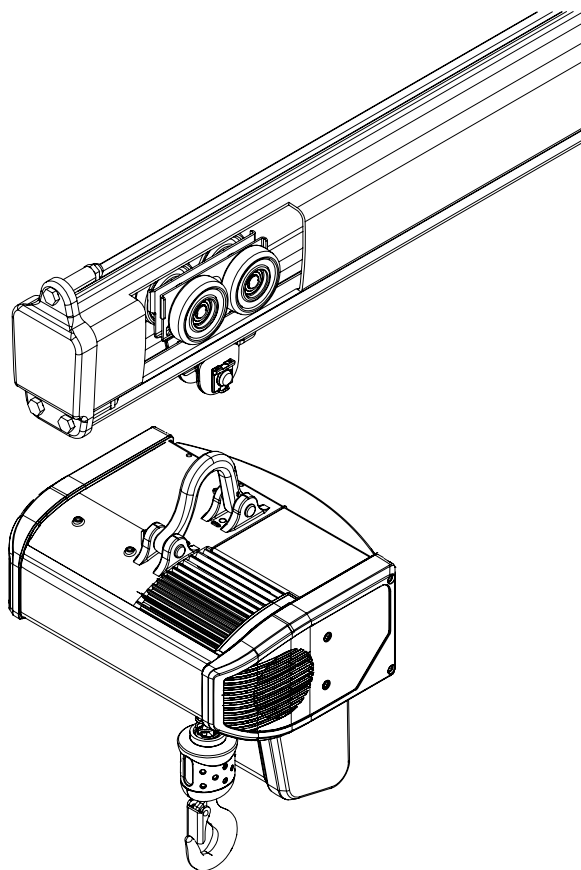


Figure 39. Push trolley inside LCS profile

## 5 LUBRICATION

### 5.1 Lubrication points of the chain hoist

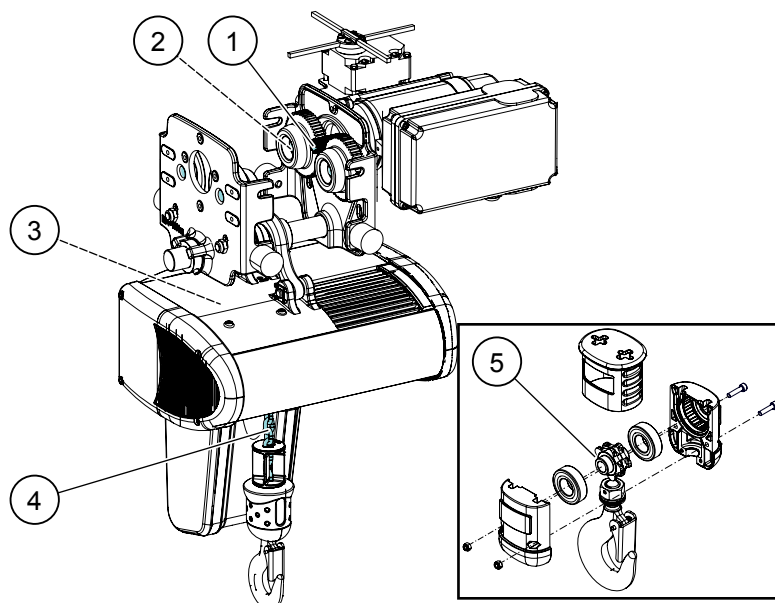


Figure 40. Lubrication points of the chain hoist and chain hoist trolley

Pos.	Component	Lubrication interval
1	Secondary shaft (traveling gear)	Annual (depending on the usage)
2	Trolley wheel bearings	Lubricated for the design working period of the product
3	Hoisting gear	Lubricated for the design working period of the product
4	Chain	From 1 week up to a year (depending on the usage)

### 5.2 Lubricants for the chain hoist

#### 1. Traveling gear (secondary shaft)

Installation	Trade name and number	Quantity [l]	Quantity [pt]
Factory installed	MOBILITH SHC 460	0.075	0.16

#### Available as an option: Food industry lubricant (grease)

Installation	Trade name and number	Quantity [l]	Quantity [pt]
Factory installed	Klübersynth UH1 14-151	0.075	0.16

#### 2. Hoisting gear

Lubricated with oil. Lubrication lasts for the design working period of the hoist.

**Standard lubricant**

Installation	Trade name and number	Quantity
Factory installed	Dexron III	Lubricated for the design working period of the chain hoist

If you must add lubricant for the hoisting gear, see the following table for the correct fill amount.

Frame size	Quantity [l]	Quantity [pt]
<b>VX02</b>	0.25	0.53
<b>VX05</b>	0.3	0.63
<b>VX10</b>	0.6	1.27

**Available as an option: Food safety lubricant (oil)**

Installation	Trade name and number	Quantity
Factory installed	Klüberoil 4 UH1- 220 N	See table

Frame size	Quantity [l]	Quantity [pt]
<b>VX02</b>	0.25	0.53
<b>VX05</b>	0.3	0.69
<b>VX10</b>	0.6	1.27

**3. Chain**

- Lubricate the chain carefully before the first run (commissioning).
- To extend the chain lifetime, continue to lubricate the chain within regular intervals.
- Chain lubrication interval varies from a minimum of one week to one year, depending on the usage.

**Standard lubricant: Grease lubricant**

Installation	Trade name and number	Quantity
Lubricate before first run	RENOLIT special chain grease 55395066	As required

**Available as an option: Food safety lubricant (oil)**

Installation	Trade name and number	Quantity
Lubricate before first run	Klüberoil 4 UH1- 220 N	As required