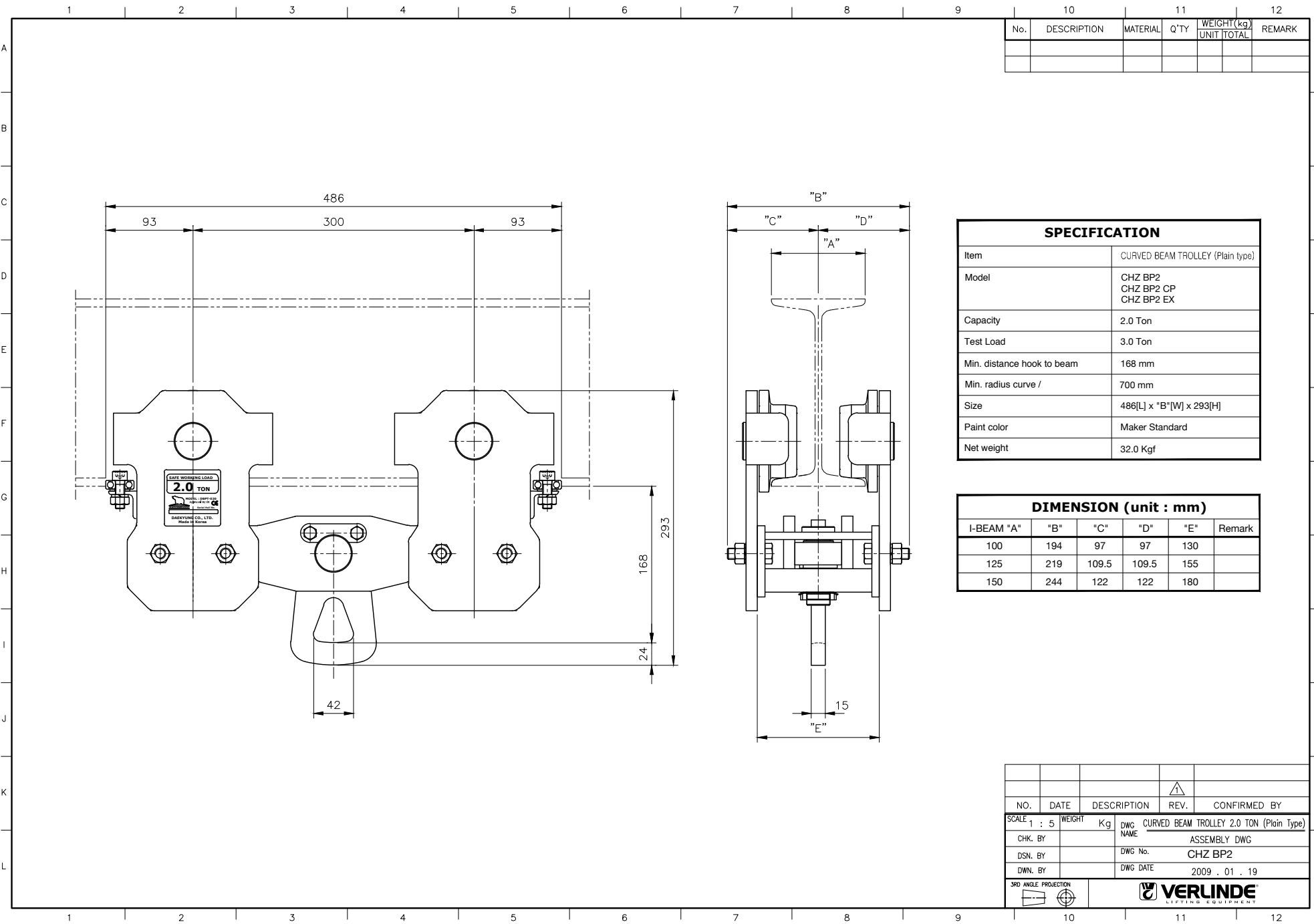


| No. | DESCRIPTION | MATERIAL | Q'TY | WEIGHT (kg) | | REMARK |
|-----|-------------|----------|------|-------------|-------|--------|
| | | | | UNIT | TOTAL | |
| | | | | | | |

| SPECIFICATION | |
|----------------------------|-------------------------------------|
| Item | CURVED BEAM TROLLEY (Plain type) |
| Model | CHZ BP1 CHZ BP1 CP CHZ BP1 EX |
| Capacity | 1.0 Ton |
| Test Load | 1.5 Ton |
| Min. distance hook to beam | 122 mm |
| Min. radius curve / | 600 mm |
| Size | 456[L] x "B"[W] x 237[H] |
| Paint color | - |
| Net weight | - Kgf [STD] |

| DIMENSION (unit : mm) | | | | | |
|-----------------------|-----|-------|-------|-----|--------|
| I-BEAM "A" | "B" | "C" | "D" | "E" | REMARK |
| 75 | 161 | 80.5 | 80.5 | 103 | |
| 100 | 186 | 93 | 93 | 128 | |
| 125 | 211 | 105.5 | 105.5 | 153 | |

| | | | | | |
|----------------------|-------------------------|--------------------------------------|---|--------------|--|
| | | | | | |
| NO. | DATE | DESCRIPTION | REV. | CONFIRMED BY | |
| SCALE 1 : 5 | WEIGHT | Kg | Dwg. CURVED BEAM TROLLEY 1.0 TON (Plain Type) | | |
| CHK. BY | NAME ASSEMBLY DWG | | | | |
| DSN. BY | DWG No. CHZ BP1 | | | | |
| DWN. BY | DWG DATE 2009 . 01 . 19 | | | | |
| 3RD ANGLE PROJECTION | | VERLINDE LIFTING EQUIPMENT | | | |



| No. | DESCRIPTION | MATERIAL | Q'TY | WEIGHT(kg) | | REMARK |
|-----|-------------|----------|------|------------|-------|--------|
| | | | | UNIT | TOTAL | |
| | | | | | | |

| SPECIFICATION | |
|----------------------------|-------------------------------------|
| Item | CURVED BEAM TROLLEY (Plain type) |
| Model | CHZ BP2 CHZ BP2 CP CHZ BP2 EX |
| Capacity | 2.0 Ton |
| Test Load | 3.0 Ton |
| Min. distance hook to beam | 168 mm |
| Min. radius curve / | 700 mm |
| Size | 486[L] x "B"[W] x 293[H] |
| Paint color | Maker Standard |
| Net weight | 32.0 Kg |

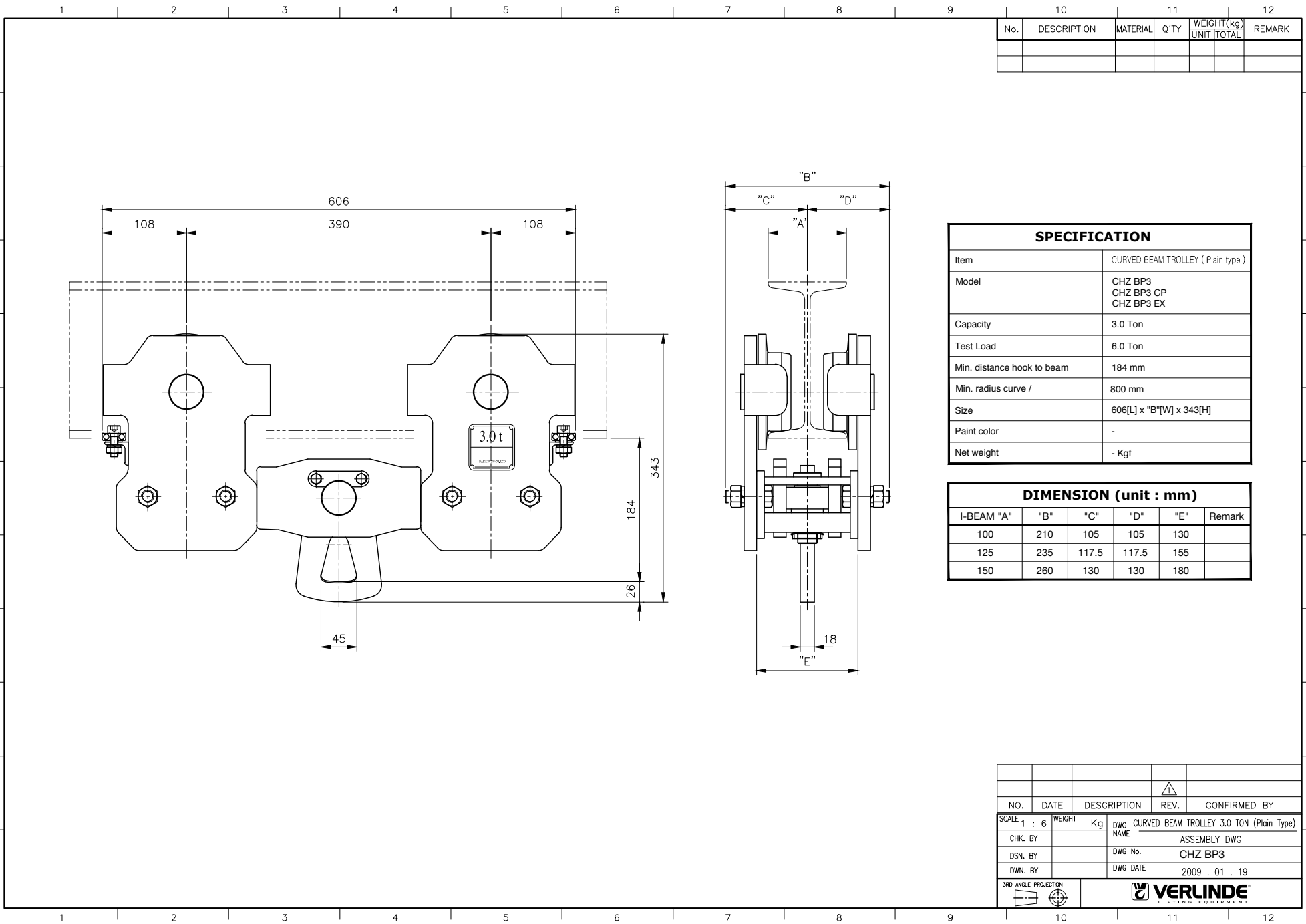
| DIMENSION (unit : mm) | | | | | |
|-----------------------|-----|-------|-------|-----|--------|
| I-BEAM "A" | "B" | "C" | "D" | "E" | Remark |
| 100 | 194 | 97 | 97 | 130 | |
| 125 | 219 | 109.5 | 109.5 | 155 | |
| 150 | 244 | 122 | 122 | 180 | |

| NO. | DATE | DESCRIPTION | REV. | CONFIRMED BY |
|-----|------|-------------|------|--------------|
| | | | | |

SCALE 1 : 5 | WEIGHT Kg | DWG CURVED BEAM TROLLEY 2.0 TON (Plain Type)
 NAME ASSEMBLY DWG
 DSN. BY | DWG No. CHZ BP2
 DWN. BY | DWG DATE 2009 . 01 . 19

3RD ANGLE PROJECTION





| No. | DESCRIPTION | MATERIAL | Q'TY | WEIGHT(kg) | | REMARK |
|-----|-------------|----------|------|------------|-------|--------|
| | | | | UNIT | TOTAL | |
| | | | | | | |

| SPECIFICATION | |
|----------------------------|-------------------------------------|
| Item | CURVED BEAM TROLLEY (Plain type) |
| Model | CHZ BP3 CHZ BP3 CP CHZ BP3 EX |
| Capacity | 3.0 Ton |
| Test Load | 6.0 Ton |
| Min. distance hook to beam | 184 mm |
| Min. radius curve / | 800 mm |
| Size | 606[L] x "B"[W] x 343[H] |
| Paint color | - |
| Net weight | - Kgf |

| DIMENSION (unit : mm) | | | | | |
|-----------------------|-----|-------|-------|-----|--------|
| I-BEAM "A" | "B" | "C" | "D" | "E" | Remark |
| 100 | 210 | 105 | 105 | 130 | |
| 125 | 235 | 117.5 | 117.5 | 155 | |
| 150 | 260 | 130 | 130 | 180 | |

| NO. | DATE | DESCRIPTION | REV. | CONFIRMED BY |
|-----|------|-------------|------|--------------|
| | | | | |

SCALE 1 : 6 | WEIGHT Kg | DWG. CURVED BEAM TROLLEY 3.0 TON (Plain Type)
 NAME ASSEMBLY DWG
 CHK. BY | DSN. BY | DWN. BY | DWG No. CHZ BP3 | DWG DATE 2009 . 01 . 19

3RD ANGLE PROJECTION

