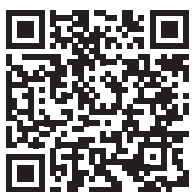


EUROCRANE

— AUSTRALIA P/L —



OFFSHORE
OIL-GAS-SEA-WIND



Range of high performance
lifting material for Offshore

 **VERLINDE**
LIFTING EQUIPMENT

www.verlinde.com

Ref : 01 2015 136 UGB

MANUAL HOISTS ZHV



ZHV[®]

Manual chain hoist for loads from 500 to 50,000 kg

► Technical characteristics

- › Epoxy Painting (min. 50 µm).
- › Machined chain sprocket and gears provide smoother, more efficient operation.
- › High strength alloy steel load chain with corrosion-resistant galvanized
- › Galvanized hand chain.
- › ZHV's compact design offers safety together with reduced weight. Ideal for construction and maintenance applications.
- › Steel casing solidly protects chain sprocket, gearcase and handwheel cover.
- › Upper and lower alloy steel ISO hooks with safety latches.
- › Delivered with CE certificate.

► Options available (according models)

- › ZHV with EX ATEX marking (bronze coated hook, polyester paint,...)
- › ZHV full stainless steel (hoist frame, chain, hook,...)
- › ZHV with Aluminum Ceramic Coat (min. 30 µm).
- › ZHV with Aluminum Ceramic Coat (min. 30 µm) and additional polyester paint.
- › ZHV with Offshore paint coating.
- › Locking device on trolley, activated by hand chain.
- › ZHV with normal headroom trolley (HPN).
- › ZHV with short headroom trolley (HPR).
- › ZHV with trolley for curved beam (HPNB).
- › ZHV with short headroom trolley (HPR).

Large range of surface treatment may be apply. See page 17.



◀ ZHV with Aluminum Ceramic Coat



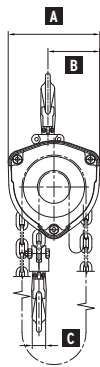
◀ Hand chain block EX ATEX with coat of polyester paint and brass hook



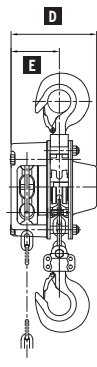
◀ ZHV full stainless steel (500 & 1,000 kg)



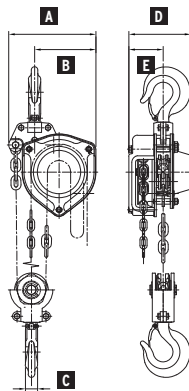
Load (kg)	Dimensions in mm					Standard height of lift (m)	Length of hand chain (m)	Lifting chain size (mm)	Number of falls	Weight (kg)
	A	B	C	D	E					
500	150	85	22	140	79	2,5	2,0	Ø 6,3 x P 19,0	1	10,5
1000	150	85	22	140	79	2,5	2,0	Ø 6,3 x P 19,0	1	10,5
1000	163	92,5	22	149,5	84,75	2,5	2,0	Ø 7,1 x P 20,2	1	12
1500	163	92,5	24	149,5	84,8	2,5	2,0	Ø 7,1 x P 20,2	1	13
1500	193	110,5	28	162,3	90,25	2,5	2,0	Ø 7,9 x P 23,0	1	18
2000	193	110,5	28	162,3	90,3	3,0	2,5	Ø 7,9 x P 23,0	1	20
2000	224	130	33	175	94,5	3,0	2,5	Ø 9,5 x P 28,6	1	25,5
3000	228,5	160,5	32	162,3	90,25	3,0	2,5	Ø 7,9 x P 23,0	2	28,5
5000	291,5	190,5	45	162,3	90,25	3,0	3,0	Ø 7,9 x P 23,0	3	44
8000	423	285	68	191	102	3,5	3,5	Ø 11,1 x P 33,3	3	91
10000	423	285	68	191	102	3,5	3,5	Ø 11,1 x P 33,3	3	91
15000	465	293	92,4	251	149	3,5	3,5	Ø 11,1 x P 33,3	5	181
20000	798	399	92,4	310	155	3,5	3,5	Ø 11,1 x P 33,3	6	235
30000	834	417	110	437	218,5	3,5	3,5	Ø 11,1 x P 33,3	10	492
40000	862	431	130	554	277	3,5	3,5	Ø 11,1 x P 33,3	14	800
50000	936	468	156	727	363,5	3,5	3,5	Ø 11,1 x P 33,3	18	1880



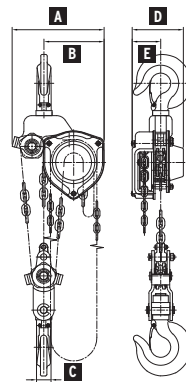
ZHV 1 fall



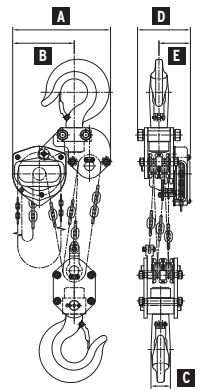
ZHV 2 fall



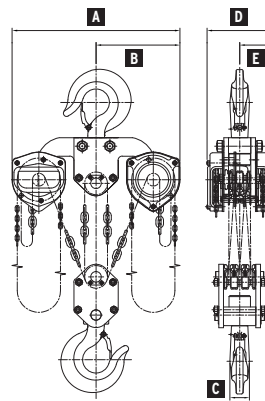
ZHV 3 fall



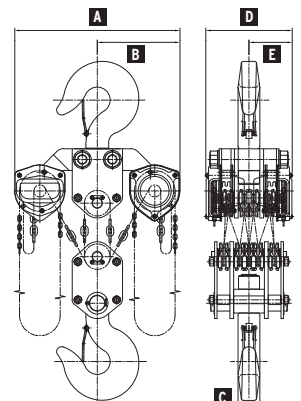
ZHV 5 fall



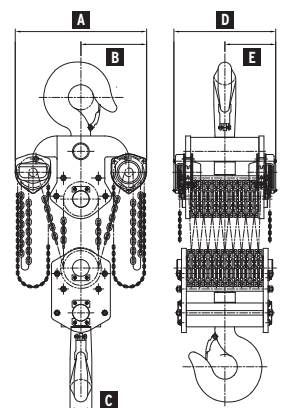
ZHV 6 fall



ZHV 10 fall



ZHV 14 fall



ZHV 18 fall



ZHV-HPR[®]

Hand chain block with low headroom trolley construction for loads from 500 to 50,000 kg

► Technical characteristics

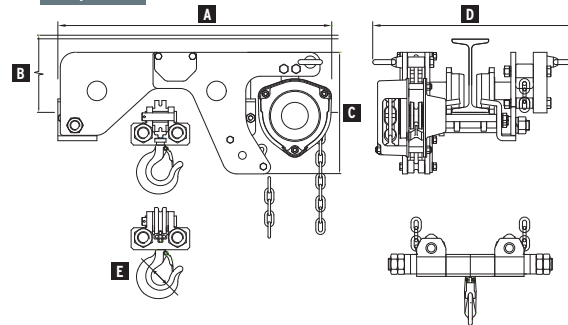
- Epoxy Painting (min. 50 µm).
- Machined chain sprocket and gears provide smoother, more efficient operation.
- High strength alloy steel load chain with corrosion-resistant galvanized.
- Galvanized hand chain.
- ZHV's compact design offers safety together with reduced weight. Ideal for construction and maintenance applications.
- Steel casing solidly protects chain sprocket, gearcase and handwheel cover.
- Upper and lower alloy steel ISO hooks with safety latches.
- Delivered with CE certificate.

► Options

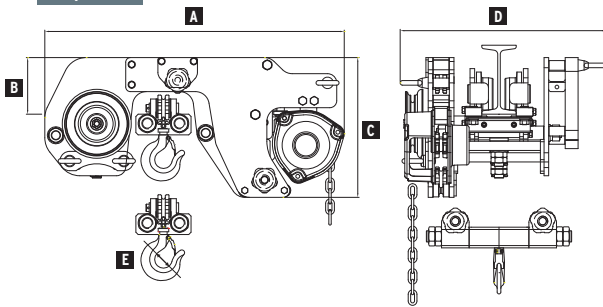
- See options of ZHV-CHZ.



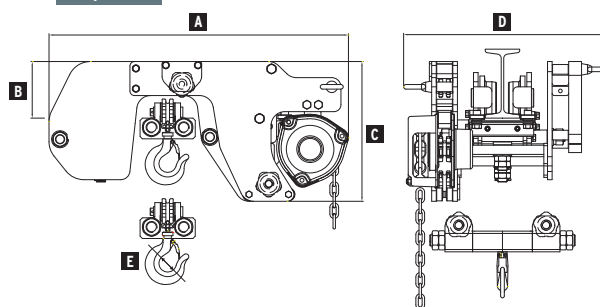
Layout 1



Layout 2



Layout 3



Load (kg)	Dimensions in mm				Standard height of lift (m)	Length of hand chain (m)	Lifting chain size (mm)	Number of falls	Flange width (mm)	Min radius (mm)	Weight (kg)	
	A	B	C	D								
Layout 1 : Hand chain block ZHR with short headroom push trolley (HPR)												
1000	561	150	-	418	38	2,5	2,0	Ø 6,3 x P19,0	2	75 ~ 125	2900	61
2000	560,5	150	285	372,5	41	3,0	2,5	Ø 7,1 x P20,2	2	75 ~ 150	3200	64
Layout 2 : Hand chain block ZHR with short headroom geared trolley (HPR)												
1000	652	150	304	448	38	2,5	2,0	Ø 6,3 x P 19,0	2	75 ~ 125	2900	59
2000	560,5	150	285	463	41	3,0	2,5	Ø 7,1 x P 20,2	2	75 ~ 150	3200	63
3000	691	300	370	568	58	3,0	2,5	Ø 7,9 x P 23,0	2	100 ~ 150	3500	150
5000	794	300	407	644	64	3,0	3,0	Ø 11,1 x P 33,3	2	125 ~ 175	-	195
10000	995	350	643	640	86	3,5	3,5	Ø 11,1 x P 33,3	4	150 ~ 190	-	460
20000	1460	285	660	1100	-	3,5	3,5	Ø 11,1 x P 33,3	6	150 ~ 190	-	850
30000	1650	600	655	894	130	3,5	3,5	Ø 11,1 x P 33,3	10	175 ~ 190	-	1320
Layout : Hand chain block ZHR with short headroom geared trolley for curved beam (HPNB)												
1000	652	123	304	448	-	2,5	2,0	Ø 6,3 x P 19,0	2	75 ~ 125	1000	98
Layout 3 : Hand chain block ZHR with short headroom push trolley for curved beam (HPNB)												
1000	652	123	304	448	-	2,5	2,0	Ø 6,3 x P 19,0	2	75 ~ 125	1000	93

